



## **Electronic Service Manuals**

This electronic document is provided as a service to our customers. We do not create the contents of the information contained in this document. Should you have detailed questions pertaining to the information contained in this document, you may contact Michco, or the manufacturer which provided the original information in this electronic deliverable. Michco's only part in this electronic deliverable was the electronic assembly process. By providing this manual online we are not guaranteeing parts availability.

You may contact Michco through the following methods:

**Phone (517) 484-9312**

2011 N. High St. -- Lansing, Michigan -- 48906

Fax: (517) 484-9836

Email: [CustomerService@Michco.com](mailto:CustomerService@Michco.com)

Website: [www.Michco.Com](http://www.Michco.Com)

Order Parts online at:

**[www.Michco.Com](http://www.Michco.Com)**

Directly to Parts & Service:

By Email: **[CustomerService@Michco.com](mailto:CustomerService@Michco.com)**

By Fax: (517) 484-9836

By Voice: (517) 484-9312

**Serving the Cleaning Industry Since 1922**

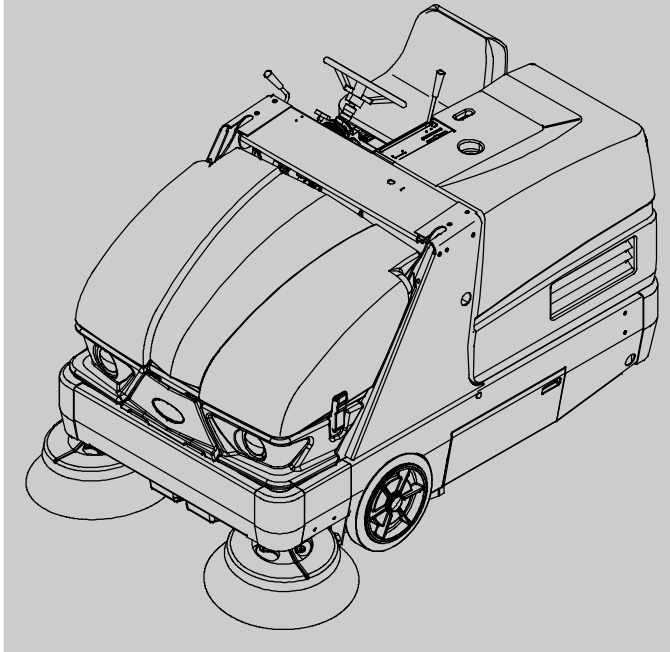
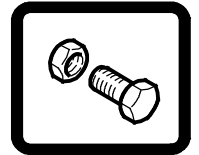
Notice: All copyrighted material remains property of original owners, all trademarks are property of respective owners. Manuals are subject to Manufacturer's reproduction limitations. Originals or reproductions were provided by manufacturers through a request. We make no warranty as to the correctness of information provided in this document and you assume all risk. By placing these manuals on line we are not declaring our corporation to be an manufacturer authorized dealer or provider, please check our web site for authorized manufacturers we represent.



# S20

(Battery)

## Sweeper Parts Manual



**SweepMax™ System**  
**ShakeMax™ 360**  
**TennantTrue® Parts**  
**IRIS® a Tennant Technology**

### North America / International

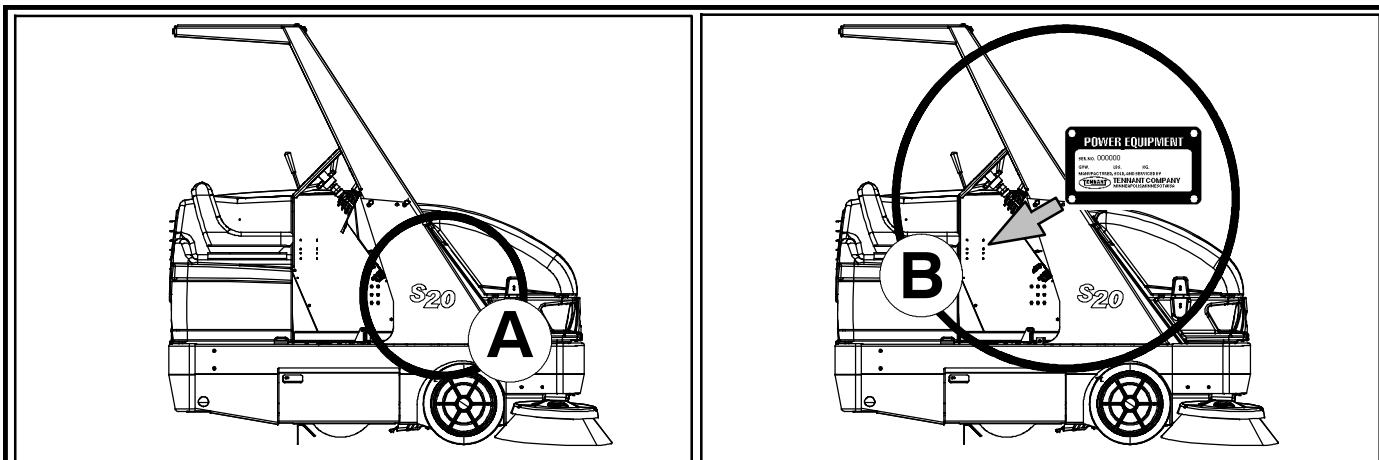


For latest parts manual or other  
Operator language manual, visit:

[www.tennantco.com/manuals](http://www.tennantco.com/manuals)

9006708  
Rev. 14 (2-2020)





| Ref | Part No. | Serial Number     | Description                     | Qty. |
|-----|----------|-------------------|---------------------------------|------|
| 1   | 82681    | (000000 - )       | Bracket Wldt, Lpg Mount         | 1    |
| 2   | 63810    | (000000 - )       | Latch Assy, Lpg Tank Mtg, W/Nut | 4    |
| 3   | 51839    | (000000 - )       | Nut Adjustable, Lpg Tank Mtg    | 2    |
| 4   | 49263    | (000000 - )       | Tie, Cable                      | 3    |
| 5   | 82556    | (000000 - 001039) | Bracket, Vaporizer              | 1    |
| 6   | 54930    | (000000 - )       | Vaporizer, LPG                  | 1    |

**HOW TO ORDER PARTS - See diagram above**

Only use TENNANT Company supplied or equivalent parts. Parts and supplies may be ordered online, by phone, by fax or by mail.

Follow the steps below to ensure prompt delivery.

1. **(A)** Identify the machine model.
2. **(B)** Identify the machine serial number from the data plate.
3. **(C)** Ensure the proper serial number is used from the parts list.
4. Identify the part number and quantity.  
Do not order by page or reference numbers.
5. Provide your name, company name, customer ID number, billing and shipping address, phone number and purchase order number.
6. Provide detail shipping instructions.

**(D)** ▽ - Identifies an assembly  
▲ - Identifies parts included in assembly

**EN**

**Please fill out at time of installation for future reference.**

Model No. - \_\_\_\_\_

Serial No. - \_\_\_\_\_

Machine Options - \_\_\_\_\_

Sales Rep. - \_\_\_\_\_

Sales Rep. phone no. - \_\_\_\_\_

Customer ID Number - \_\_\_\_\_

Installation Date - \_\_\_\_\_

**Tennant Company**  
 PO Box 1452  
 Minneapolis, MN 55440  
 Phone: (800) 553- 8033  
 www.tennantco.com

Thermo- Sentry, Perma- Filter, InstantAccess, Lower total Cost of Ownership, and Duramer are trademarks of Tennant Company.

Specifications and parts are subject to change without notice.

Original instructions, Copyright © 2009 - 2020 TENNANT Company, Printed in U.S.A.

|           |  |  |
|-----------|--|--|
| <b>CN</b> | <p><b>如何订购部件 - 参见下表</b></p> <p>仅使用 TENNANT 公司提供的或同等部件。部件和供应可以在线订购，通过电话、传真或邮件订购。请遵循下面的步骤确保及时交付。</p> <ol style="list-style-type: none"> <li>1. (A) 确定机器型号。</li> <li>2. (B) 从数据标签确定机器序列号。</li> <li>3. (C) 确保使用部件列表中的正确序列号。</li> <li>4. 确定部件号和数量。<br/>不要按页面或参考编号订购。</li> <li>5. 提供您的姓名、公司名称、客户 ID 号、付帐和送货地址、电话号码和采购单编号。</li> <li>6. 提供详细的送货说明。</li> </ol> <hr/> <p>(D) ▽ - 确定组件<br/>▲ - 确定组件中包含的组件</p> | <p><b>请在安装时填写供未来参考。</b></p> <p>型号 - _____</p> <p>序列号 - _____</p> <p>机器选项 - _____</p> <p>销售代表 - _____</p> <p>销售代表电话号码 - _____</p> <p>客户 ID 编号 - _____</p> <p>安装日期 - _____</p> |
|-----------|--|--|

|           |  |   |
|-----------|--|---|
| <b>ES</b> | <p><b>CÓMO SOLICITAR PIEZAS - Consulte el diagrama anterior.</b></p> <p>Utilice sólo las piezas suministradas por TENNANT Company o piezas equivalentes. Puede solicitar las piezas a través de internet, por teléfono, por fax o por correo.</p> <p>Siga los siguientes pasos para que la entrega sea rápida.</p> <ol style="list-style-type: none"> <li>1. (A) Indique el modelo de máquina.</li> <li>2. (B) Indique el número de serie de la etiqueta de datos.</li> <li>3. (C) Asegúrese de que indica el número de serie correcto de la lista de piezas.</li> <li>4. Indique la cantidad y el número de la pieza.<br/>No realice el pedido indicando el número de página o el de referencia.</li> <li>5. Incluya su nombre, el nombre de la empresa, el ID de cliente, las direcciones de envío y facturación, el número de teléfono y el número del pedido de compra.</li> <li>6. Facilite instrucciones de envío.</li> </ol> <hr/> <p>(D) ▽ - identifica un conjunto<br/>▲ - identifica piezas de un conjunto</p> | <p><b>Rellene estos datos cuando realice la instalación para utilizarlos como referencia en el futuro.</b></p> <p>Nº modelo - _____</p> <p>Nº serie - _____</p> <p>Opciones de la máquina - _____</p> <p>Vendedor - _____</p> <p>Nº teléfono vendedor - _____</p> <p>Nº cliente - _____</p> <p>Fecha de instalación - _____</p> |
|-----------|--|---|

|           |  |   |
|-----------|--|---|
| <b>FR</b> | <p><b>COMMENT COMMANDER DES PIÈCES DÉTACHÉES - Voir le schéma ci-dessus.</b></p> <p>Utilisez uniquement des pièces fournies par la société TENNANT ou équivalentes. Les pièces et fournitures peuvent être commandées en ligne, par téléphone, fax, ou par courrier.</p> <p>Suivez les étapes ci-dessous pour assurer une livraison rapide.</p> <ol style="list-style-type: none"> <li>1. (A) Identifiez le modèle de la machine.</li> <li>2. (B) Identifiez le numéro de série de la machine, à partir de l'étiquette signalétique.</li> <li>3. (C) Assurez-vous que le numéro de série correct est utilisé à partir de la liste de pièces détachées.</li> <li>4. Identifiez le numéro de pièce et la quantité. Ne commandez pas par page ou numéros de référence.</li> <li>5. Fournissez votre nom, le nom de votre société, votre numéro d'identification de client, l'adresse de facturation et d'expédition, le numéro de téléphone et le numéro du bon de commande.</li> <li>6. Fournissez des instructions d'expédition détaillées.</li> </ol> <hr/> <p>(D) ▽ - identifie un assemblage<br/>▲ - identifie les pièces composant l'assemblage</p> | <p><b>A remplir au moment de l'installation à titre de référence.</b></p> <p>Nº du modèle - _____</p> <p>Nº de série - _____</p> <p>Options de la machine - _____</p> <p>Agent commercial - _____</p> <p>Nº tél. de l'agent commercial - _____</p> <p>Numéro d'identification client - _____</p> <p>Date d'installation - _____</p> |
|-----------|--|---|

|           |   |   |
|-----------|---|---|
| <b>JP</b> | <p><b>パーツの発注方法 ? 上記の図を参照してください</b></p> <p>TENNANT社製のパーツまたは同等品のみをお使いください。パーツやサプライ品のご注文は、オンライン、電話、FAX、または手紙でお願いいたします。確実にお届けできるように、以下の情報お知らせください。</p> <ol style="list-style-type: none"> <li>1. (A) 製品のモデル名をお知らせください。</li> <li>2. (B) 製品のデータラベルに印刷されているシリアル番号をお知らせください。</li> <li>3. (G) パーツリストを参照して、シリアル番号が正しいかご確認ください。</li> <li>4. パーツ番号と数量をお知らせください。マニュアル/カタログのページ番号や参照番号でのご注文はご遠慮ください。</li> <li>5. お客様のお名前、会社名、顧客ID番号、請求/発送先住所、電話番号、注文書番号をお知らせください。</li> <li>6. 発送に関するご希望があれば、明記してください。</li> </ol> <hr/> <p>(D) ▽ - アセンブリを示します<br/>▲ - アセンブリに含まれるパーツを示します</p> | <p><b>後日確認できるように、設置時に記入してください。</b></p> <p>モデルNo. - _____</p> <p>シリアルNo. - _____</p> <p>製品のオプション - _____</p> <p>販売代理店 - _____</p> <p>販売代理店の電話番号 - _____</p> <p>顧客ID番号 - _____</p> <p>設置日 - _____</p> |
|-----------|---|---|



# GENERAL RECOMMENDED MAINTENANCE

E, NA, JP

## General Recommended Maintenance Items

| Ref. | Part No. | Serial Number   | Description                                 | Qty. |
|------|----------|-----------------|---|------|
| ▽    | 9006388  | (000000-        | ) Maint Kit, 400hr [S20 Ele]                | 1    |
| ▲    | 360686   | (000000-        | ) Belt, V, 33.5l [3v]                       | 1    |
| ▲    | 03670    | (000000-        | ) Belt, V, 54.0l [3v]                       | 1    |
| ▲    | 1059569  | (001249-        | ) Belt, V, 31.5l [3v]                       | 1    |
|      | 360320   | (000000- 001248 | ) Belt, V, 31.5l [3v]                       | 1    |
| ▽    | 9006392  | (000000-        | ) Maint Kit, 800Hr [S20 Ele]                | 1    |
| ▲    | 360686   | (000000-        | ) Belt, V, 33.5l [3v]                       | 1    |
| ▲    | 03670    | (000000-        | ) Belt, V, 54.0l [3v]                       | 1    |
| ▲    | 1059569  | (001249-        | ) Belt, V, 31.5l [3v]                       | 1    |
| ▲    | 65221    | (000000-        | ) Element, Fltr, Hyd Oil                    | 1    |
| ▲    | 9006534  | (000000-        | ) Cap, Breather, Hyd                        | 1    |
| ▲    | 361023   | (000000-        | ) Strainer, Hyd, 010gpm 100mesh             | 1    |
| ▲    | 1057707  | (000000-        | ) Oil, Hyd [El, Iso 32, 01Gal]              | 4    |
| ▲    | 1045900  | (000000-        | ) Filter, Cyl, 11.09d, 13.31l, 6.724 ld     | 1    |
| ▲    | 1044356  | (000000-        | ) Gasket, Cover                             | 1    |
| ▲    | 360134   | (000000-        | ) Seal                                      | 1    |
| ▲    | 360136   | (000000-        | ) Flap, Recirculation                       | 1    |
| ▲    | 360761   | (000000-        | ) Seal                                      | 1    |
| ▲    | 360784   | (000000-        | ) Seal                                      | 1    |
| ▲    | 1047575  | (000000-        | ) Skirt, Neo, .12 2ply, Dust- Cntrl         | 1    |
| ▲    | 360603   | (000000-        | ) Seal, Rbr, .13 6.34w 36.3l, 12/.28h, Red  | 1    |
| ▲    | 87689    | (000000-        | ) Cord, Sponge, Neo, 1.0d 36.3l             | 1    |
| ▲    | 360844   | (000000-        | ) Seal, Door, Dump, Side                    | 2    |
| ▲    | 360627   | (000000-        | ) Bracket, Mtg, Angle, Air Fltr             | 1    |
| ▲    | 360336   | (000000-        | ) Seal                                      | 1    |
| ▲    | 87181    | (000000-        | ) Seal, Hppr, .06 12.5w 36.6l Neo           | 1    |
| ▲    | 1057602  | (000000-        | ) Skirt, Neo, .12, 12.26w 14.50l, 07/ SI    | 2    |
| ▲    | 1047637  | (000000-        | ) Hose, Flex, Vacuum, 04.0d, 21.0l          | 1    |
| ▲    | 1044357  | (000000-        | ) Seal, Inlet, Vacuum                       | 1    |
|      | 16411    | (000000-        | ) Paint, Airdry, Off- White, 12oz           | 1    |
|      | 16412    | (000000-        | ) Paint, Airdry, Teal, 12oz, Solid          | 1    |
|      | 377540   | (000000-        | ) Paint, Airdry, Blk, 12oz                  | 1    |
|      | 377538   | (000000-        | ) Paint, Airdry, Gray, 12oz [Enamel]        | 1    |
|      | 377537   | (000000-        | ) Paint, Airdry, Iron Gray, 12oz[Pwdr Coat] | 1    |

# GENERAL RECOMMENDED MAINTENANCE

---

## SECTION 2

| Contents  | Page  |
|---|-------|
| Fig. 1 - Brushes, Replacement .....                             | 2- 2  |
| Fig. 2 - Main Frame and Skirts Group .....                      | 2- 4  |
| Fig. 3 - Brush Door Group, Right Side .....                     | 2- 6  |
| Fig. 4 - Brush Door Group, Left Side .....                      | 2- 8  |
| Fig. 5 - Seat and Cover Group<br>(000000- 003440) .....         | 2- 10 |
| Fig. 6 - Seat and Cover Group (003441- )                        | 2- 12 |
| Fig. 7 - Rear Cover Latch Group<br>(000000- 002464) .....       | 2- 14 |
| Fig. 8 - Rear Cover Latch Group<br>(002465- ) .....             | 2- 16 |
| Fig. 9 - Operator Station Group .....                           | 2- 18 |
| Fig. 10 - Steering Wheel Group .....                            | 2- 20 |
| Fig. 11 - Directional Pedal Group .....                         | 2- 22 |
| Fig. 12 - Wheel and Brake Group, Front .....                    | 2- 24 |
| Fig. 13 - Steering Cylinder Group<br>(000000- 005799) .....     | 2- 26 |
| Fig. 14 - Wheel Group, Rear Drive<br>(000000- 005799) .....     | 2- 28 |
| Fig. 15 - Wheel Group, Rear Drive<br>(005800- ) .....           | 2- 30 |
| Fig. 16 - Brush Lift Group, Main .....                          | 2- 32 |
| Fig. 17 - Brush Cable Lift Group, Main .....                    | 2- 34 |
| Fig. 18 - Brush Drive Group, Main .....                         | 2- 36 |
| Fig. 19 - Brush Drive Motor Group, Main .....                   | 2- 38 |
| Fig. 20 - Brush Lift Group, Side .....                          | 2- 40 |
| Fig. 21 - Brush Motor and Pivot Group, Side ..                  | 2- 42 |
| Fig. 22 - Vacuum Fan Control Group .....                        | 2- 44 |
| Fig. 23 - Vacuum Fan Group .....                                | 2- 46 |
| Fig. 24 - Hopper Lift Arms Group .....                          | 2- 48 |
| Fig. 25 - Hopper Group, Plastic .....                           | 2- 50 |
| Fig. 26 - Hopper Cover Group .....                              | 2- 52 |
| Fig. 27 - Hopper Support Group (001071- )                       | 2- 54 |
| Fig. 28 - Hopper Dump Door Group .....                          | 2- 56 |
| Fig. 29 - Hopper Filter Shaker Tray Group .....                 | 2- 58 |
| Fig. 30 - Hopper Filter Shaker Cover Group ..                   | 2- 60 |
| Fig. 31 - Hydraulic Schematic .....                             | 2- 62 |
| Fig. 32 - Hydraulic Hose Group .....                            | 2- 64 |
| Fig. 33 - Hydraulic Reservoir Group .....                       | 2- 66 |
| Fig. 34 - Hydraulic Control Valve Group .....                   | 2- 68 |
| Fig. 35 - Hydraulic Solenoid Valve Group .....                  | 2- 69 |
| Fig. 36 - Electrical Control Box Group .....                    | 2- 70 |
| Fig. 37 - Electrical Control Box Wire<br>Connection Group ..... | 2- 72 |
| Fig. 38 - Electrical Schematic .....                            | 2- 74 |
| Fig. 39 - Electrical Wire Harnesses Group .....                 | 2- 78 |
| Fig. 40 - Label Group .....                                     | 2- 82 |

Fig. 1 - Brushes, Replacement

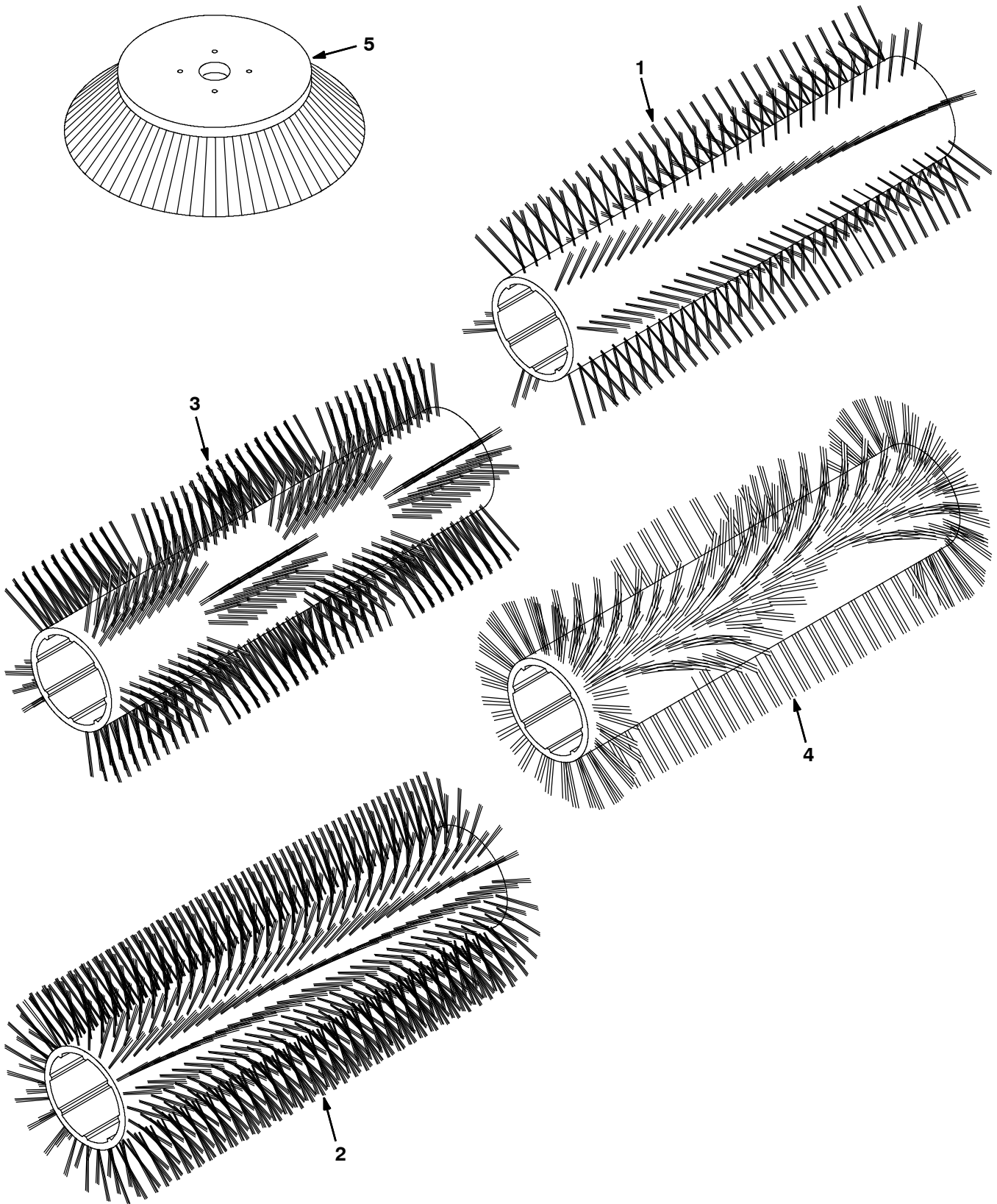


Fig. 1 - Brushes, Replacement

| Ref. | Part No. | Serial Number | Description                                    | Qty. |
|------|----------|---------------|--|------|
| 1    | 87334    | (000000-      | ) Brush- Sweep, Polyester 8 Dr, Spiral         | 1    |
| 1    | 87099    | (000000-      | ) Brush- Sweep, Polypropylene, Spiral          | 1    |
| 1    | 87097    | (000000-      | ) Brush- Sweep, Polypropylene and Wire, Spiral | 1    |
| 1    | 385947   | (000000-      | ) Brush- Sweep, Natural Fiber, Spiral          | 1    |
| 2    | 87333    | (000000-      | ) Brush- Sweep, Polyester 24 Dr, Spiral        | 1    |
| 3    | 370010   | (000000-      | ) Brush- Sweep, Window, Polypropylene, Spiral  | 1    |
| 4    | 370025   | (000000-      | ) Brush- Sweep, Wedge, Polypropylene, Spiral   | 1    |
| 5    | 08013N   | (000000-      | ) Brush- Side Swp, Soft Nylon                  | 1    |
| 5    | 59431    | (000000-      | ) Brush- Side Swp, Polypropylene               | 1    |
| 5    | 59432    | (000000-      | ) Brush- Side Swp, Flatwire                    | 1    |

**Fig. 2 - Main Frame and Skirts Group**

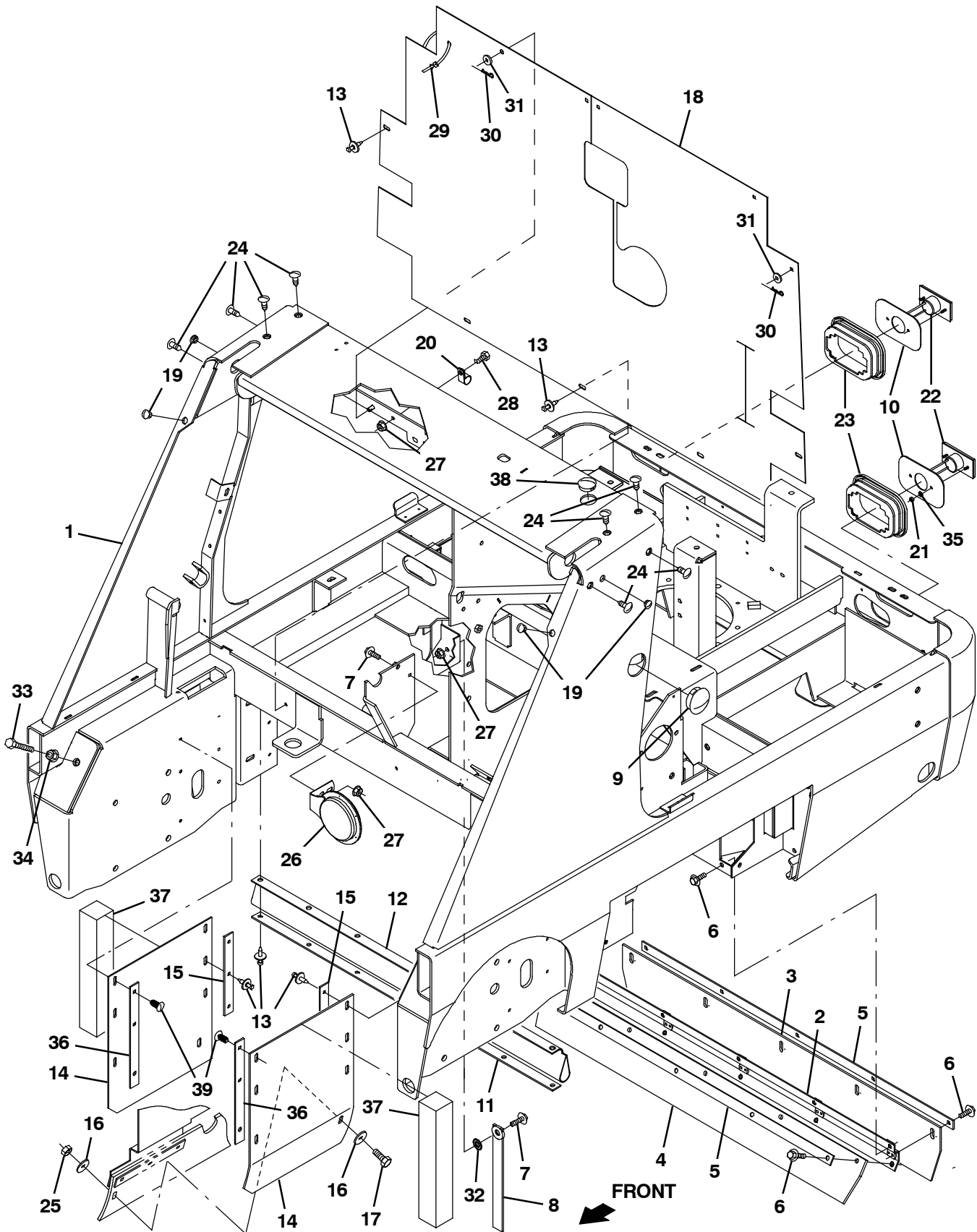


Fig. 2 - Main Frame and Skirts Group

| Ref. | Part No. | Serial Number    | Description                              | Qty. |
|------|----------|------------------|--|------|
| 1    | 1042849  | (000000-005799 ) | Frame Wldt, Ele [S20]                    | 1    |
| 1    | 1073607  | (005800- )       | Frame Wldt, Main [S20 Ele]               | 1    |
| 2    | 360138   | (000000- )       | Channel, Recirculation Flap              | 1    |
| 3    | 360134   | (000000- )       | Seal                                     | 1    |
| 4    | 360136   | (000000- )       | Flap, Recirculation                      | 1    |
| 5    | 360137   | (000000- )       | Strip, Retainer, Flap                    | 2    |
| 6    | 1037346  | (000000- )       | Screw, Hex, M8 X 1.25 X 25, 9.8, Sems    | 15   |
| 7    | 1037354  | (000000- )       | Screw, Hex, M8 X 1.25 X 30, 9.8, Sems    | 2    |
| 8    | 71579    | (000000- )       | Strap, Static, W/Grommet, .19 1.1w 25.0l | 1    |
| 9    | 1012529  | (000000- )       | Plug, Hole, Rnd, 2.13h 0.6l, Blk Nyl     | 1    |
| 10   | 1054566  | (000000- )       | Plate, Grommet, Taillight, Ele           | 2    |
| 11   | 87180    | (000000- )       | Retainer, Seal, Hppr, Top                | 1    |
| 12   | 87181    | (000000- )       | Seal, Hppr, .06 12.5w 36.6l Neo          | 1    |
| 13   | 72968    | (000000- )       | Rivet, Plstc, .250d X 0.90               | 25   |
| 14   | 1057602  | (000000- )       | Skirt, Neo, .12, 12.26w 14.50l, 07/ SI   | 2    |
| 15   | 360781   | (000000- )       | Retainer, Skirt, .12, 1.0w X 08.1l, PI   | 2    |
| 16   | 30013    | (000000- )       | Washer, Flat, 0.31, Fendr                | 2    |
| 17   | 09740    | (000000- )       | Screw, Hex, M8 X 1.25 X 20, Ss           | 1    |
| 18   | 1051250  | (000000- )       | Seal, Firewall                           | 1    |
| 19   | 02431    | (000000- )       | Plug, Hole, Rnd, 0.56h .03- .12, Blk Nyl | 4    |
| 20   | 67767    | (000000- )       | Clamp, Cable, Stl, 0.69d X 0.62w, 1hole  | 2    |
| 21   | 01689    | (000000- )       | Nut, Hex, Std, #10- 32, Ss               | 4    |
| 22   | 1075205  | (000000- )       | Taillight, 12vdc, Led, 3.6 X 1.9         | 2    |
| 23   | 1054619  | (000000- )       | Grommet, Taillight, 5.44 X 3.56          | 2    |
| 24   | 1055605  | (000000- )       | Plug, Hole, Rnd, 0.38h .4- .7, Blk Nyl   | 8    |
| 25   | 08709    | (000000- )       | Nut, Hex, Lock, M8 X 1.25, NI            | 1    |
| 26   | 369702   | (000000- )       | Horn, 36vdc, 115 Dba                     | 1    |
| 27   | 07791    | (000000- )       | Nut, Hex, Flng, M8 X 1.25                | 3    |
| 28   | 39277    | (000000- )       | Screw, Hex, M8 X 1.25 X 25, 8.8          | 1    |
| 29   | 44961    | (000000- )       | Tie, Cable, Nyl, 14.5l .30w 4.0 Max D    | 1    |
| 30   | 86866    | (000000- )       | Pin, Cotter, Hair, 0.38d .072 Wir        | 4    |
| 31   | 32491    | (000000- )       | Washer, Flat, 0.31, Std                  | 4    |
| 32   | 41141    | (000000- )       | Washer, Lock, Int-Ext, 0.31              | 1    |
| 33   | 06969    | (000000- )       | Screw, Hex, M12 X 1.75 X 40, 8.8         | 2    |
| 34   | 07793    | (000000- )       | Nut, Hex, Flng, M12 X 1.75               | 2    |
| 35   | 32980    | (000000- )       | Washer, Lock, Int, 10                    | 4    |
| 36   | 1057684  | (000000- )       | Retainer, Skirt, .12, 1.0w X 10.4l, PI   | 2    |
| 37   | 1042791  | (000000- )       | Insulation, Acstc, 2.0, 02.0 X 12.0      | 2    |
| 38   | 1061216  | (001292- )       | Plug, Hole, Rnd, 1.37h 0.45l, Blk Nyl    | 1    |
| 39   | 21168    | (000000- )       | Plug, Hole, Rnd, 0.25h 0.8l, Brb, Nyl    | 2    |

Fig. 3 - Brush Door Group, Right Side

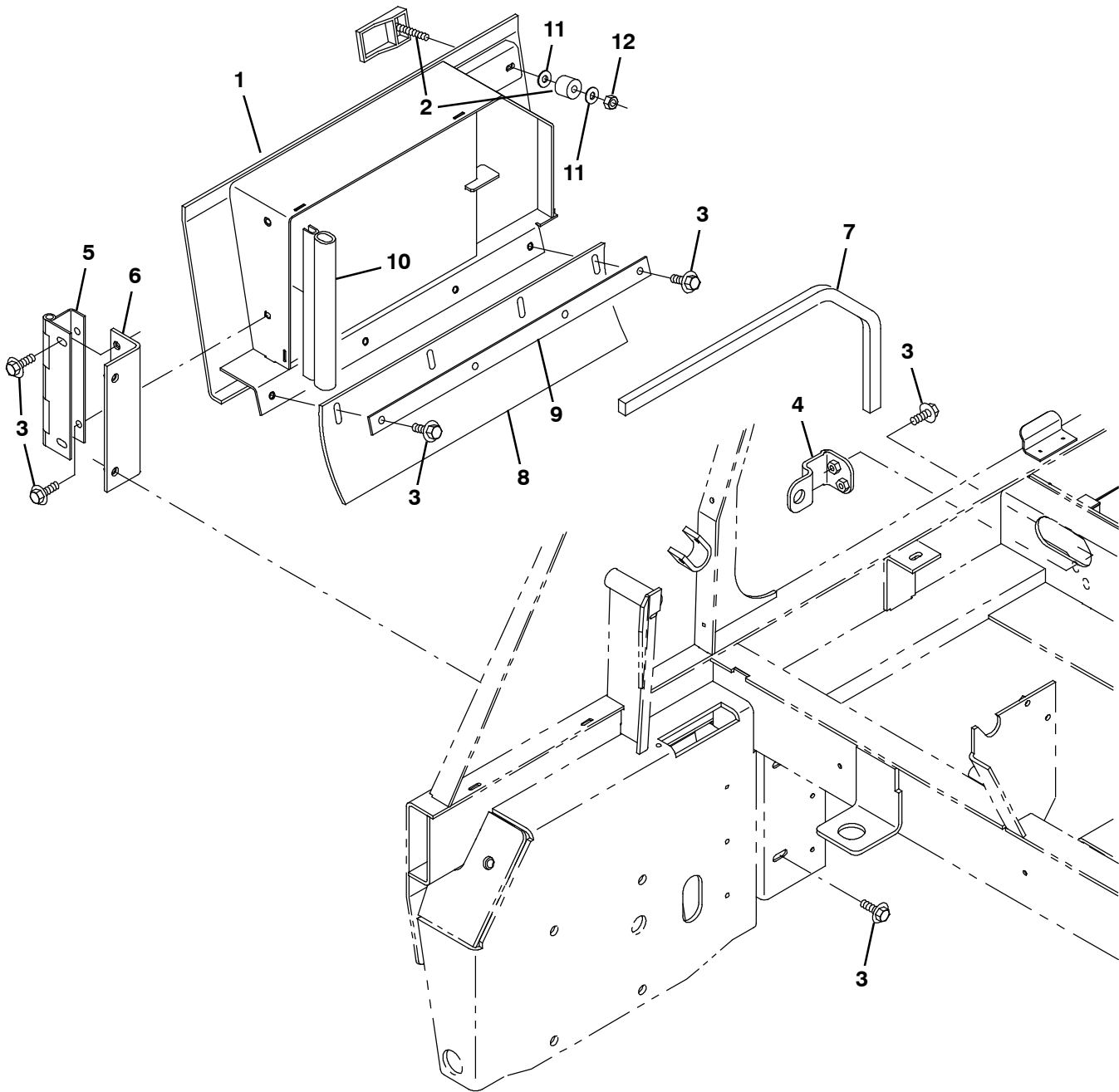


Fig. 3 - Brush Door Group, Right Side

| Ref. | Part No. | Serial Number | Description                              | Qty. |
|------|----------|---------------|--|------|
| 1    | 1044844  | (000000-      | ) Door Wldt, Brush, Rh                   | 1    |
| 2    | 360388   | (000000-      | ) Latch, Swell                           | 1    |
| 3    | 1020341  | (000000-      | ) Screw, Hex, M8 X 1.25 X 20, Ss, Sems   | 12   |
| 4    | 1048746  | (000000-      | ) Bracket, Stop, Brush Door              | 1    |
| 5    | 360283   | (000000-      | ) Hinge, .38pin .12 3.5w 07.8l, 4/0.38h  | 1    |
| 6    | 1048750  | (000000-      | ) Bracket, Hinge, Door                   | 1    |
| 7    | 360319   | (000000-      | ) Seal, Rbr, Open, 0.38, 1.25w 25.5l     | 1    |
| 8    | 360784   | (000000-      | ) Seal                                   | 1    |
| 9    | 361306   | (000000-      | ) Retainer, Skirt, .12, 1.0w X 19.3l, PI | 1    |
| 10   | 363502   | (000000-      | ) Seal, Bulb, Str, 0.50d .13grip 009.4l  | 4    |
| 11   | 39349    | (000000-      | ) Washer, Flat, 0.31, Sae                | 2    |
| 12   | 32960    | (000000-      | ) Nut, Hex, Lock, .31- 24, NI            | 1    |

Fig. 4 - Brush Door Group, Left Side

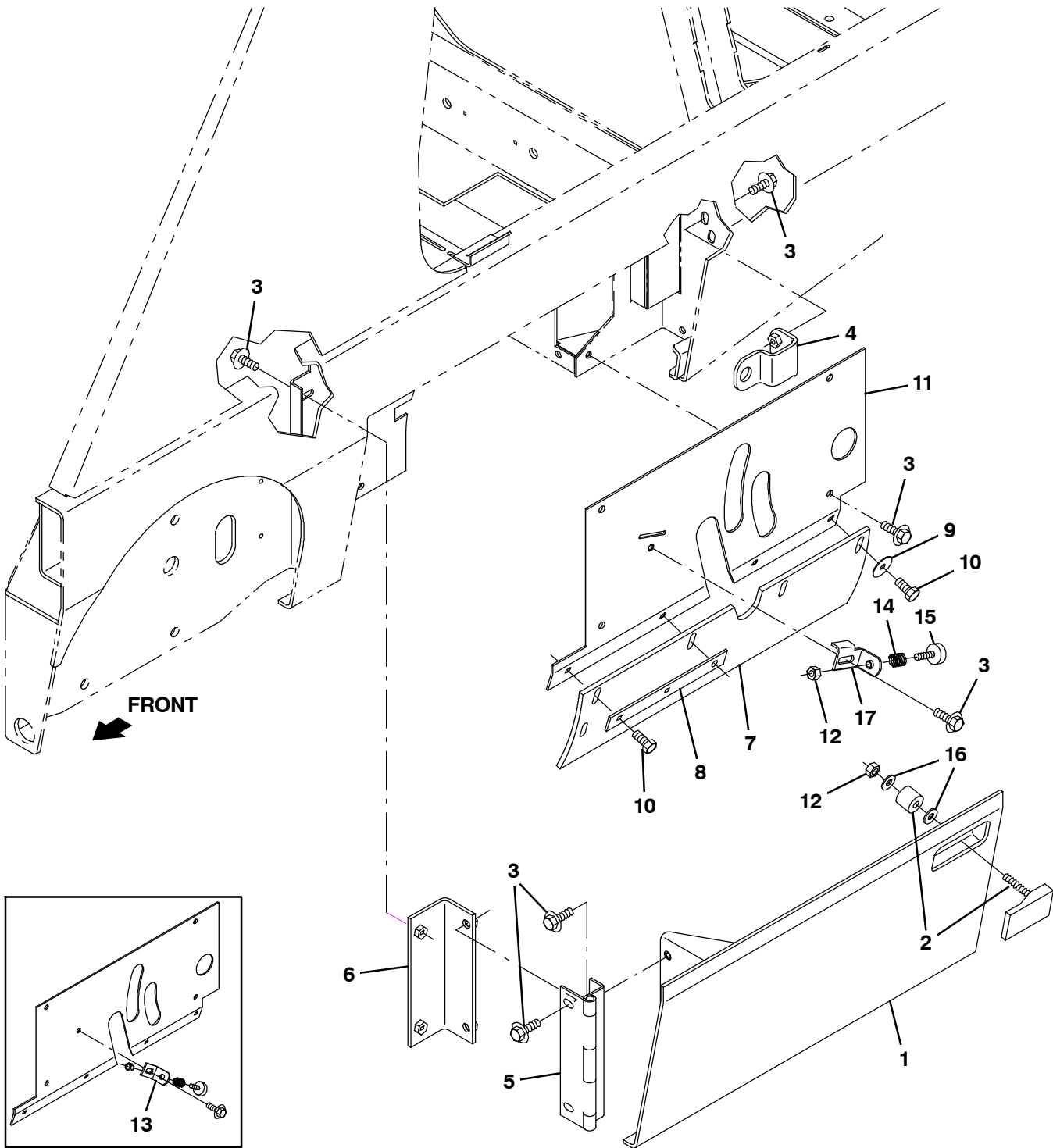


Fig. 4 - Brush Door Group, Left Side

| Ref. | Part No. | Serial Number   | Description                              | Qty. |
|------|----------|-----------------|--|------|
| 1    | 1044845  | (000000-        | ) Door Wldt, Brush, Lh                   | 1    |
| 2    | 360388   | (000000-        | ) Latch, Swell                           | 1    |
| 3    | 1037346  | (000000-        | ) Screw, Hex, M8 X 1.25 X 25, 9.8, Sems  | 13   |
| 4    | 1048746  | (000000-        | ) Bracket, Stop, Brush Door              | 1    |
| 5    | 360283   | (000000-        | ) Hinge, .38pin .12 3.5w 07.8l, 4/0.38h  | 1    |
| 6    | 1048750  | (000000-        | ) Bracket, Hinge, Door                   | 1    |
| 7    | 360761   | (000000-        | ) Seal                                   | 1    |
| 8    | 360781   | (000000-        | ) Retainer, Skirt, .12, 1.0w X 08.1l, PI | 1    |
| 9    | 30013    | (000000-        | ) Washer, Flat, 0.31, Fendr              | 1    |
| 10   | 49826    | (000000-        | ) Screw, Hex, M8 X 1.25 X 16, NI, Ss     | 4    |
| 11   | 1075598  | (000000-        | ) Plate, Seal                            | 1    |
| 12   | 41169    | (000000-        | ) Nut, Hex, Lock, .25- 20, NI, Ss        | 1    |
| 13   | 1049208  | (000000- 001531 | ) Bracket Wldt, Stop, Brush              | 1    |
| 14   | 86444    | (000000-        | ) Spring, Cmpr, 0.60od .07wir 00.8l      | 1    |
| 15   | 20802    | (000000-        | ) Bumper, Rbr, 1.0d 0.38th .25- 20       | 1    |
| 16   | 39349    | (000000-        | ) Washer, Flat, 0.31, Sae                | 2    |
| 17   | 1076302  | (001532-        | ) Bracket Wldt, Stop, Brush              | 1    |

**Fig. 5 - Seat and Cover Group (000000-003440)**

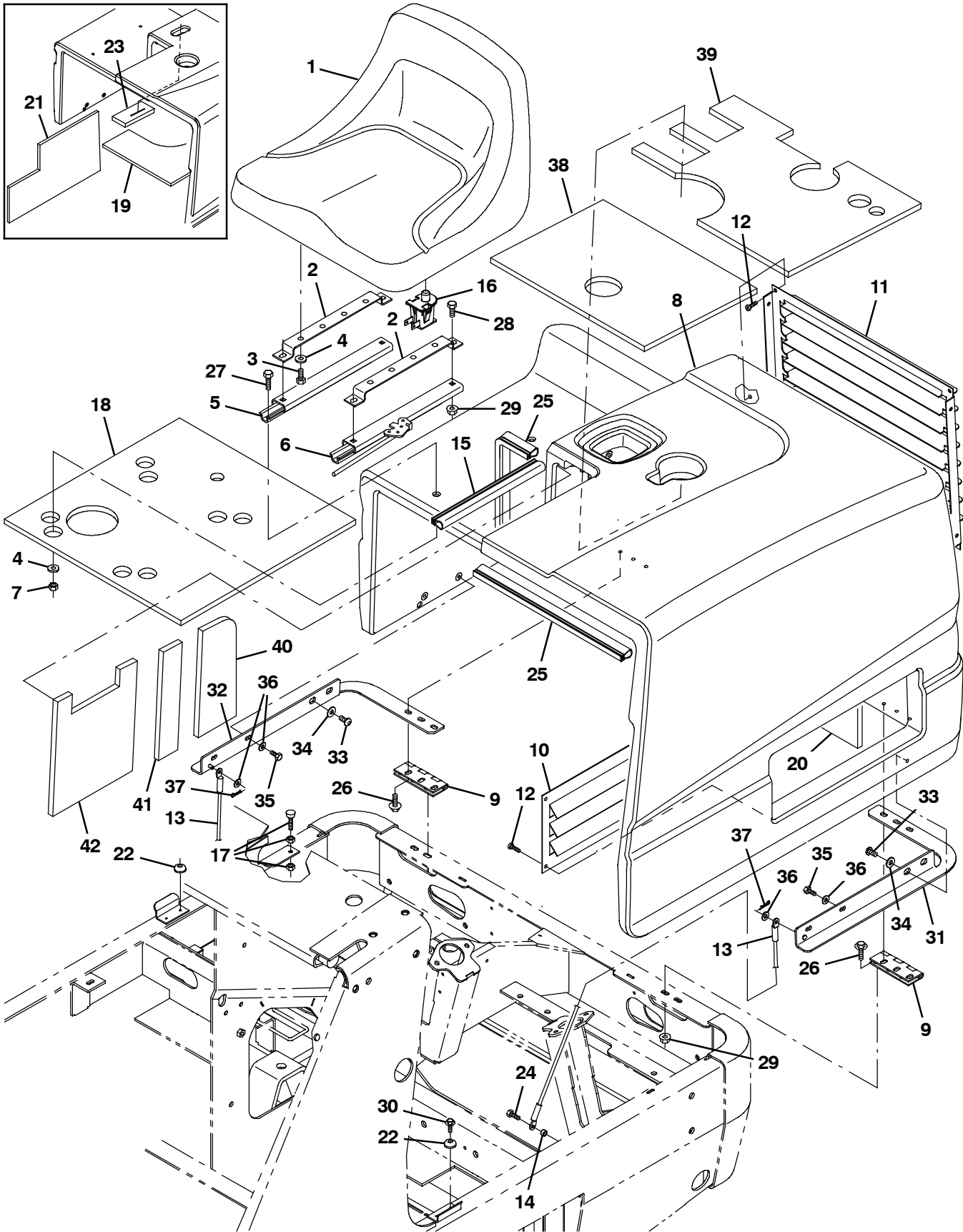


Fig. 5 - Seat and Cover Group (000000-003440)

| Ref. | Part No. | Serial Number    | Description                               | Qty. |
|------|----------|------------------|---|------|
| 1    | 9010740  | (000000-003440 ) | Seat Kit, Replacement [S20]               | 1    |
| 2    | 1045229  | (000000-003440 ) | Bracket, Adj, Seat                        | 2    |
| 3    | 54395    | (000000-003440 ) | Screw, Hex, .31- 18 X 0.62, G5            | 4    |
| 4    | 32490    | (000000-003440 ) | Washer, Flat, 0.25, Std                   | 8    |
| 5    | 1047447  | (000000-003440 ) | Track, Slide, Seat Adj, 12.5l             | 1    |
| 6    | 1048198  | (000000-003440 ) | Track, Slide, Seat Adj, 12.5l, W/ Latch   | 1    |
| 7    | 08709    | (000000-003440 ) | Nut, Hex, Lock, M8 X 1.25, NI             | 4    |
| 8    | 1060541  | (000000-002464 ) | Shroud, Rear, Trimmed                     | 1    |
| 8    | 1064956  | (002465-003440 ) | Shroud, Rear [S20]                        | 1    |
| 9    | 360704   | (000000-003440 ) | Hinge, .25pin .12 3.0w 04.5l, 6/0.38sl    | 2    |
| 10   | 1049988  | (000000-003440 ) | Panel, Louver                             | 1    |
| 11   | 1049987  | (000000-003440 ) | Panel, Louver                             | 1    |
| 12   | 360973   | (000000-003440 ) | Screw, Pan, 12- 16 X 0.50, F/ Plstc       | 8    |
| 13   | 1056045  | (000000-003440 ) | Cable, Glv .13d 024.2l .25eye /.25eye     | 2    |
| 14   | 222516   | (000000-003440 ) | Sleeve, P/M, 0.32b 0.50d 0.3l [430ss]     | 2    |
| 15   | 1050785  | (000000-003440 ) | Seal, Afrmkt, Bulb, 90, 1.33 01ft         | 1    |
| 16   | 1048955  | (000000-003440 ) | Switch, Seat, No [Delta 6440- 04]         | 1    |
| 17   | 75128    | (000000-003440 ) | Spindle, Adjustment                       | 1    |
| 18   | 361345   | (000000-003440 ) | Insulation, Acstc, 0.5, 21.4 X 20.6 C- O  | 1    |
| 19   | 361342   | (000000-002464 ) | Insulation, Acstc, 0.5, 32.0 X 21.6 Ntch  | 1    |
| 20   | 361344   | (000000-003440 ) | Insulation, Acstc, 0.5, 31.6 X 14.1 Ntch  | 1    |
| 21   | 361343   | (000000-002464 ) | Insulation, Acstc, 0.5, 21.5 X 12.2 Ntch  | 1    |
| 22   | 361554   | (000000-003440 ) | Bumper, Rbr, 0.90d 0.38th 0.18h           | 2    |
| 23   | 361951   | (000000-002464 ) | Insulation, Acstc, 0.8, 06.6 X 03.0 Slit  | 1    |
| 24   | 11329    | (000000-003440 ) | Screw, Hex, M6 X 1.00 X 16, NI, Ss        | 2    |
| 25   | 10576    | (000000-003440 ) | Seal, Bulb, 90, 0.50d .06- .09grip 022.5l | 1    |
| 26   | 1037346  | (000000-003440 ) | Screw, Hex, M8 X 1.25 X 25, 9.8, Sems     | 8    |
| 27   | 06955    | (000000-003440 ) | Screw, Hex, M8 X 1.25 X 35, 8.8           | 4    |
| 28   | 16735    | (000000-003440 ) | Screw, Hex, M8 X 1.25 X 16, 8.8           | 4    |
| 29   | 07791    | (000000-003440 ) | Nut, Hex, FIng, M8 X 1.25                 | 8    |
| 30   | 223198   | (000000-003440 ) | Screw, Hex, M5 X 0.80 X 10, Fmg           | 2    |
| 31   | 1058717  | (001518-003440 ) | Plate Wldt, Lh                            | 1    |
| 32   | 1058722  | (001518-003440 ) | Plate Wldt, Rh                            | 1    |
| 33   | 17284    | (001518-003440 ) | Screw, Btn, M8 X 1.25 X 16, Ss            | 4    |
| 34   | 32491    | (001518-003440 ) | Washer, Flat, 0.31, Std                   | 4    |
| 35   | 11329    | (001518-003440 ) | Screw, Hex, M6 X 1.00 X 16, NI, Ss        | 6    |
| 36   | 32490    | (001518-003440 ) | Washer, Flat, 0.25, Std                   | 2    |
| 37   | 08085    | (001518-003440 ) | Pin, Cotter, Hair, 0.31d .058 Wir         | 2    |
| 38   | 1068101  | (002465-003440 ) | Insulation, Acstc, 0.5, 13.0 X 17.8 Ntch  | 1    |
| 39   | 1068102  | (002465-003440 ) | Insulation, Acstc, 0.5, 15.4 X 20.5 Ntch  | 1    |
| 40   | 1068103  | (002465-003440 ) | Insulation, Acstc, 0.5, 4.5 X 11.0 Ntch   | 1    |
| 41   | 1068104  | (002465-003440 ) | Insulation, Acstc, 0.5, 2.3 X 11.1 Ntch   | 1    |
| 42   | 1068105  | (002465-003440 ) | Insulation, Acstc, 0.5, 9.2 X 11.8 Ntch   | 1    |

**Fig. 6 - Seat and Cover Group (003441- )**

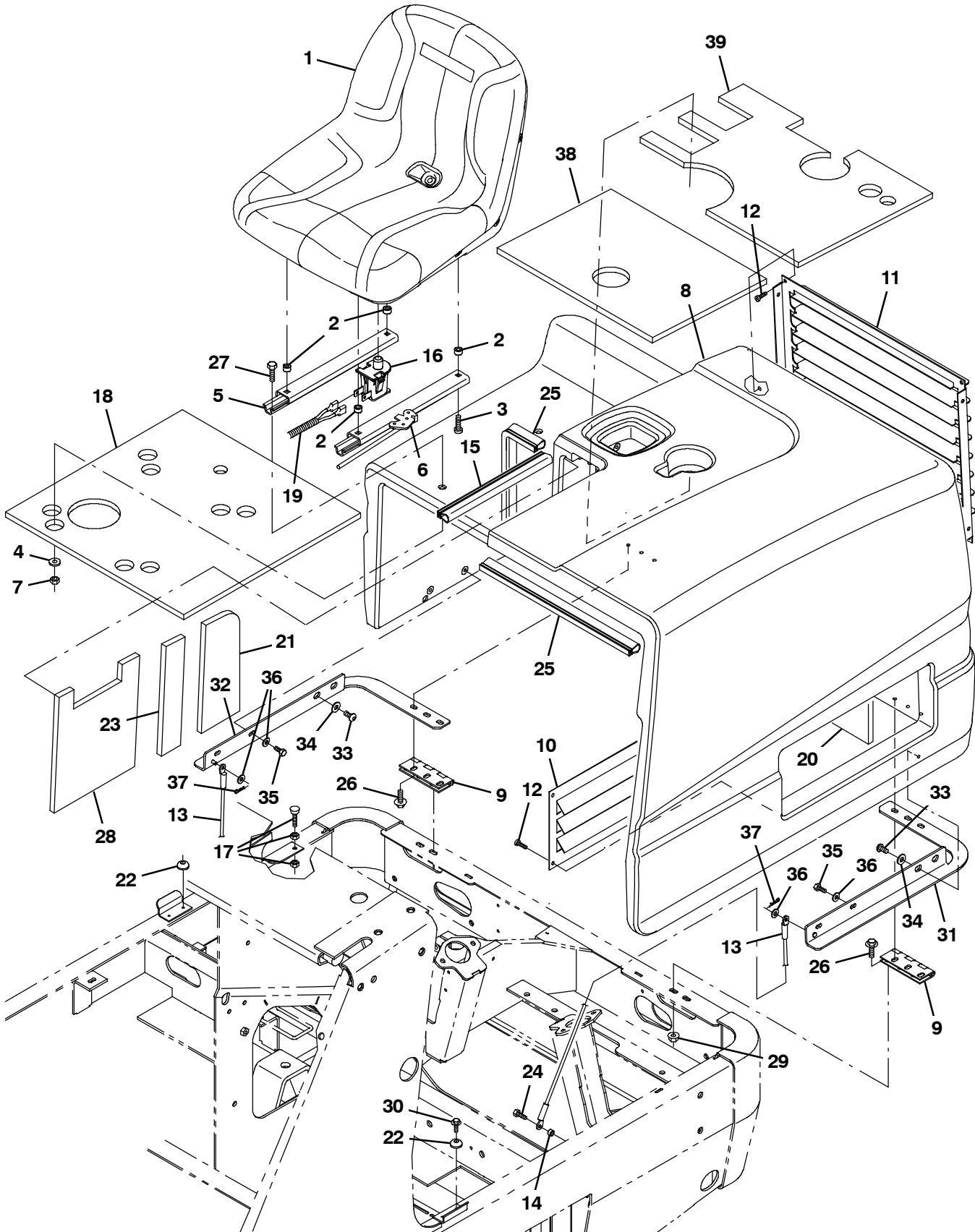


Fig. 5 - Seat and Cover Group (003441- )

| Ref. | Part No. | Serial Number | Description                                 | Qty. |
|------|----------|---------------|---|------|
| 1    | 1201894  | (003441-      | ) Seat, Std [Milsco]                        | 1    |
| 2    | 360460   | (003441-      | ) Sleeve, P/M, 0.34b 0.63d 0.4l, Ss / Oil   | 4    |
| 3    | 1073048  | (003441-      | ) Screw, Pan, Phl, .31- 18 X 1.50, G2       | 4    |
| 4    | 32491    | (003441-      | ) Washer, Flat, 0.31, Std                   | 4    |
| 5    | 1047447  | (003441-      | ) Track, Slide, Seat Adj, 12.5l             | 1    |
| 6    | 1048198  | (003441-      | ) Track, Slide, Seat Adj, 12.5l, W/ Latch   | 1    |
| 7    | 08709    | (003441-      | ) Nut, Hex, Lock, M8 X 1.25, NI             | 4    |
| 8    | 1064956  | (003441-      | ) Shroud, Rear [S20]                        | 1    |
| 9    | 360704   | (003441-      | ) Hinge, .25pin .12 3.0w 04.5l, 6/0.38sl    | 2    |
| 10   | 1049988  | (003441-      | ) Panel, Louver                             | 1    |
| 11   | 1049987  | (003441-      | ) Panel, Louver                             | 1    |
| 12   | 360973   | (003441-      | ) Screw, Pan, 12- 16 X 0.50, F/ Plstc       | 8    |
| 13   | 1056045  | (003441-      | ) Cable, Glv .13d 024.2l .25eye /.25eye     | 2    |
| 14   | 222516   | (003441-      | ) Sleeve, P/M, 0.32b 0.50d 0.3l [430ss]     | 2    |
| 15   | 1050785  | (003441-      | ) Seal, Afrmkt, Bulb, 90, 1.33 01ft         | 1    |
| 16   | 1048955  | (003441-      | ) Switch, Seat, No [Delta 6440- 04]         | 1    |
| 17   | 75128    | (003441-      | ) Spindle, Adjustment                       | 1    |
| 18   | 361345   | (003441-      | ) Insulation, Acstc, 0.5, 21.4 X 20.6 C- O  | 1    |
| 19   | 1072210  | (003441-      | ) Harness, Wire, Seat [S20]                 | 1    |
| 20   | 361344   | (003441-      | ) Insulation, Acstc, 0.5, 31.6 X 14.1 Ntch  | 1    |
| 21   | 1068103  | (003441-      | ) Insulation, Acstc, 0.5, 4.5 X 11.0 Ntch   | 1    |
| 23   | 1068104  | (003441-      | ) Insulation, Acstc, 0.5, 2.3 X 11.1 Ntch   | 1    |
| 22   | 361554   | (003441-      | ) Bumper, Rbr, 0.90d 0.38th 0.18h           | 2    |
| 24   | 11329    | (003441-      | ) Screw, Hex, M6 X 1.00 X 16, NI, Ss        | 2    |
| 25   | 10576    | (003441-      | ) Seal, Bulb, 90, 0.50d .06- .09grip 022.5l | 1    |
| 26   | 1037346  | (003441-      | ) Screw, Hex, M8 X 1.25 X 25, 9.8, Sems     | 8    |
| 27   | 06955    | (003441-      | ) Screw, Hex, M8 X 1.25 X 35, 8.8           | 4    |
| 28   | 1068105  | (003441-      | ) Insulation, Acstc, 0.5, 9.2 X 11.8 Ntch   | 1    |
| 29   | 07791    | (003441-      | ) Nut, Hex, FIng, M8 X 1.25                 | 4    |
| 30   | 223198   | (003441-      | ) Screw, Hex, M5 X 0.80 X 10, Fmg           | 2    |
| 31   | 1058717  | (003441-      | ) Plate Wldt, Lh                            | 1    |
| 32   | 1058722  | (003441-      | ) Plate Wldt, Rh                            | 1    |
| 33   | 17284    | (003441-      | ) Screw, Btn, M8 X 1.25 X 16, Ss            | 4    |
| 34   | 32491    | (003441-      | ) Washer, Flat, 0.31, Std                   | 4    |
| 35   | 11329    | (003441-      | ) Screw, Hex, M6 X 1.00 X 16, NI, Ss        | 6    |
| 36   | 32490    | (003441-      | ) Washer, Flat, 0.25, Std                   | 2    |
| 37   | 08085    | (003441-      | ) Pin, Cotter, Hair, 0.31d .058 Wir         | 2    |
| 38   | 1068101  | (003441-      | ) Insulation, Acstc, 0.5, 13.0 X 17.8 Ntch  | 1    |
| 39   | 1068102  | (003441-      | ) Insulation, Acstc, 0.5, 15.4 X 20.5 Ntch  | 1    |

**Fig. 7 - Rear Cover Latch Group (000000-002464)**

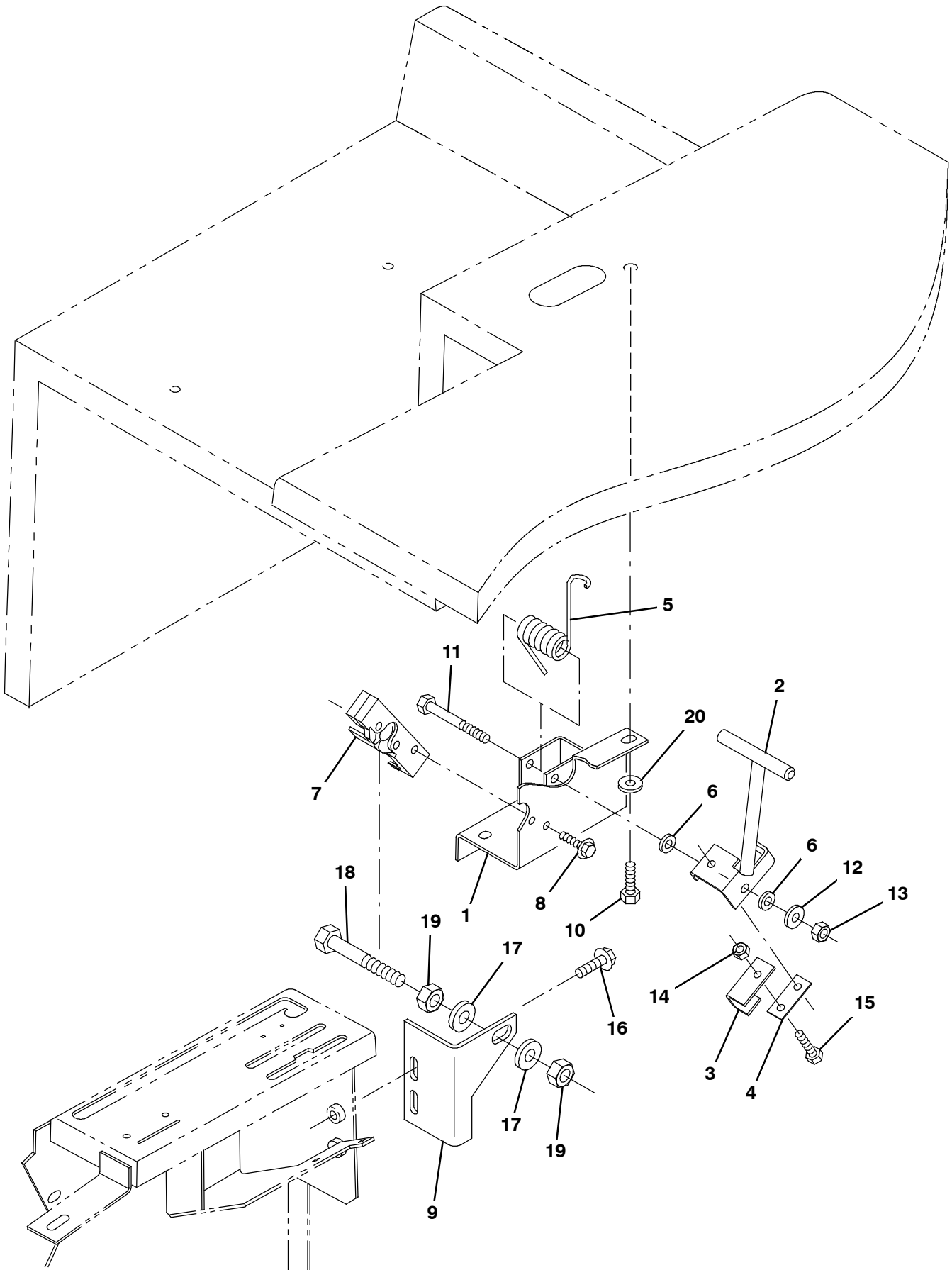


Fig. 7 - Rear Cover Latch Group (000000-002464)

| Ref. | Part No. | Serial Number    | Description                              | Qty. |
|------|----------|------------------|--|------|
| 1    | 1052805  | (000000-002464 ) | Bracket Wldt, Latch                      | 1    |
| 2    | 1052817  | (000000-002464 ) | Handle Wldt, Latch, Shrd                 | 1    |
| 3    | 1052804  | (000000-002464 ) | Channel, Latch                           | 1    |
| 4    | 361165   | (000000-002464 ) | Spring, Flat, .06, 0.75w X 01.8l, 2/.28h | 1    |
| 5    | 87581    | (000000-002464 ) | Spring, Tors, 0.81id .12wir 08.0coil     | 1    |
| 6    | 43454    | (000000-002464 ) | Washer, Flat, 0.34b 0.69d .06, Nyl       | 2    |
| 7    | 72439    | (000000-002464 ) | Latch                                    | 1    |
| 8    | 16949    | (000000-002464 ) | Screw, Hex, .25- 20 X 0.75, Sems         | 2    |
| 9    | 1052803  | (000000-002464 ) | Bracket, Angle, Mtg, Pin, Latch          | 1    |
| 10   | 15675    | (000000-002464 ) | Screw, Hex, M8 X 1.25 X 16, Ss           | 4    |
| 11   | 76960    | (000000-002464 ) | Screw, Hex, .31- 18 X 2.25, G5           | 1    |
| 12   | 32491    | (000000-002464 ) | Washer, Flat, 0.31, Std                  | 1    |
| 13   | 32983    | (000000-002464 ) | Nut, Hex, Lock, .31- 18, NI              | 1    |
| 14   | 08708    | (000000-002464 ) | Nut, Hex, Lock, M6 X 1.00, NI            | 2    |
| 15   | 87308    | (000000-002464 ) | Screw, Hex, M6 X 1.00 X 12, 8.8          | 2    |
| 16   | 1037346  | (000000-002464 ) | Screw, Hex, M8 X 1.25 X 25, 9.8, Sems    | 2    |
| 17   | 32486    | (000000-002464 ) | Washer Flat,0.50,Sae                     | 2    |
| 18   | 27985    | (000000-002464 ) | Screw, Hex, .50- 13 X 2.50, G5           | 1    |
| 19   | 32523    | (000000-002464 ) | Nut, Hex, Jam, .50- 13                   | 2    |
| 20   | 32491    | (000000-002464 ) | Washer, Flat, 0.31, Std                  | 4    |

Fig. 8 - Rear Cover Latch Group (002465- )

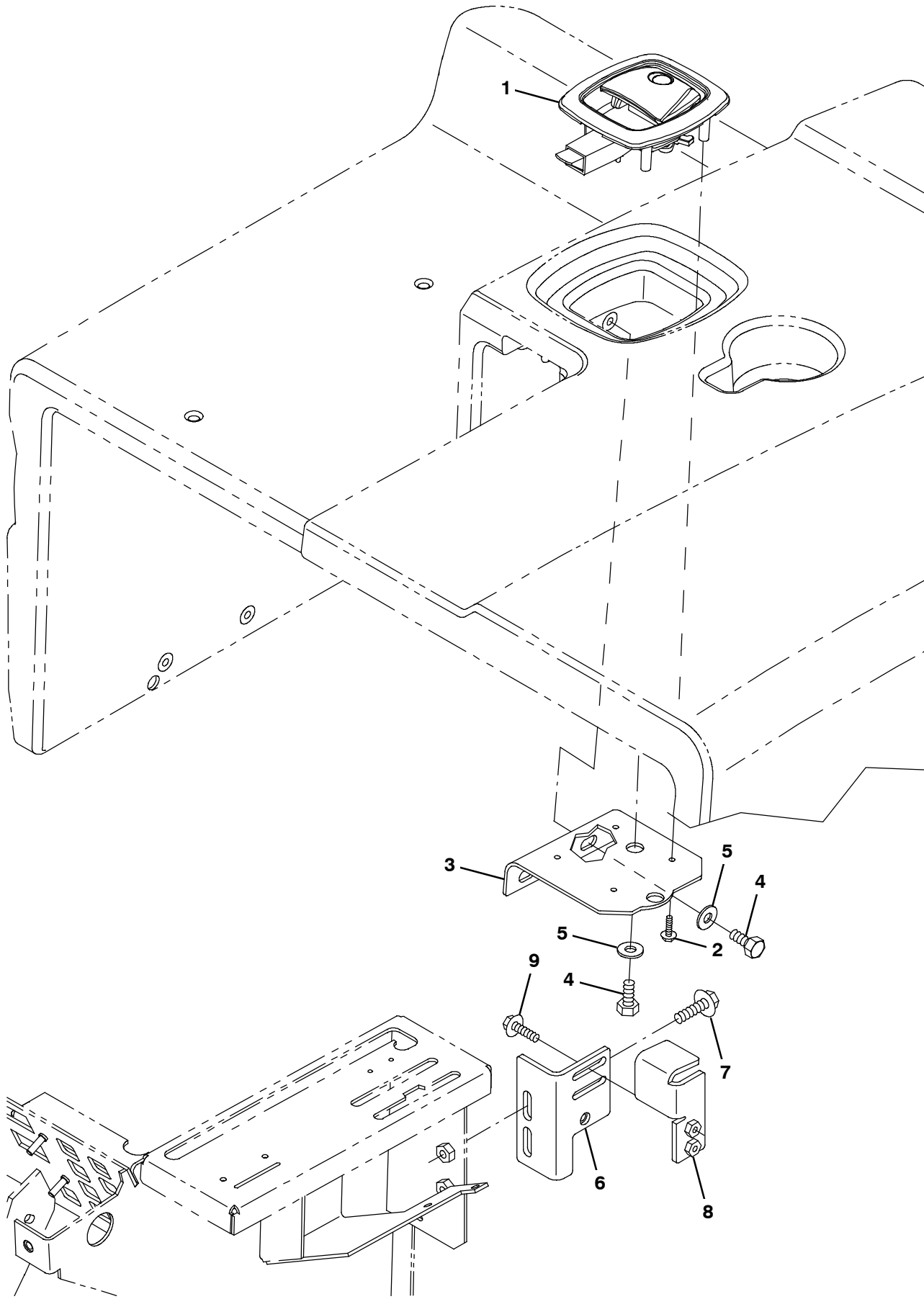


Fig. 8 - Rear Cover Latch Group (002465- )

| Ref. | Part No. | Serial Number | Description                             | Qty. |
|------|----------|---------------|---|------|
| 1    | 1068098  | (002565-      | ) Latch, Paddle, Rwk                    | 1    |
| 2    | 71026    | (002565-      | ) Screw, Hex, M4 X 0.70 X 20, Fmg       | 1    |
| 3    | 1066146  | (002565-      | ) Plate, Mtg, Latch                     | 1    |
| 4    | 15675    | (002565-      | ) Screw, Hex, M8 X 1.25 X 16, Ss        | 1    |
| 5    | 32491    | (002565-      | ) Washer, Flat, 0.31, Std               | 1    |
| 6    | 1065829  | (002565-      | ) Bracket, Latch, Mtg, Strike           | 2    |
| 7    | 1037346  | (002565-      | ) Screw, Hex, M8 X 1.25 X 25, 9.8, Sems | 1    |
| 8    | 1066138  | (002565-      | ) Bracket, Adj, Strike                  | 2    |
| 9    | 1036892  | (002565-      | ) Screw, Hex, M6 X 1.00 X 25, 9.8, Sems | 1    |

Fig. 9 - Operator Station Group

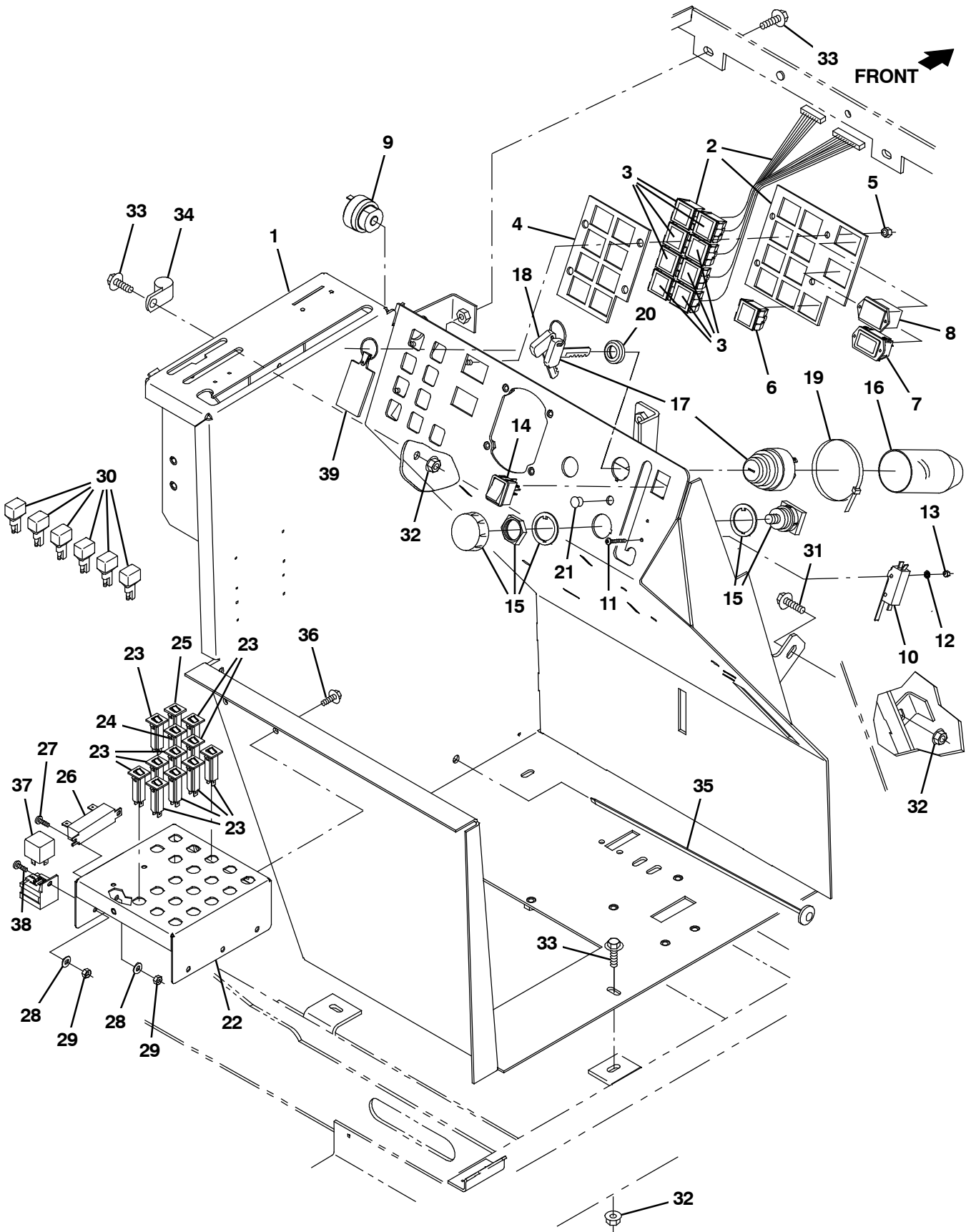


Fig. 9 - Operator Station Group

| Ref. | Part No. | Serial Number | Description  | Qty. |
|------|----------|---------------|--|------|
|      | 1        | 9006980       | (000000- ) Panel, Oprtr Station, W/ Label, Na [S20e] | 1    |
|      | 1        | 9006981       | (000000- ) Panel, Oprtr Station, W/ Label, Jp [S20e] | 1    |
| ▽    | 2        | 1051135       | (000000- ) Panel Assy, Indicator Light, Ele          | 1    |
| ▲    | 3        | 361074        | (000000- ) Light, Panl, 36vdc, 1.1 X 1.0             | 8    |
|      | 4        | 1045211       | (000000- ) Seal, Rbr, Clsd, 0.38, Instmt Panl        | 1    |
|      | 5        | 08708         | (000000- ) Nut, Hex, Lock, M6 X 1.00, NI             | 4    |
|      | 6        | 361074        | (000000- ) Light, Panl, 36vdc, 1.1 X 1.0             | 1    |
|      | 7        | 1068904       | (000000- ) Gauge, Hourmeter, 05- 277vdc/Vac, 2- Hole | 1    |
|      | 8        | 1038957       | (000000- ) Gauge, Discharge, Battery, 36vdc, Led     | 1    |
|      | 9        | 386346        | (000000- ) Alarm, Audio, 10- 48vdc [Mallory]         | 1    |
|      | 10       | 1008142       | (000000- ) Switch, Snap, 25a Spdt                    | 1    |
|      | 11       | 1054872       | (000000- ) Screw, Pan, Phl, M3 X 0.5 X 25, Blk       | 2    |
|      | 12       | 39658         | (000000- ) Washer, Lock, Int, 04                     | 2    |
|      | 13       | 01754         | (000000- ) Nut, Hex, Std, M3 X 0.50, 8               | 2    |
|      | 14       | 1048456       | (000000- ) Switch, Rocker, 3 Position                | 1    |
|      | 15       | 1053842       | (000000- ) Switch, Safety, Shutoff                   | 1    |
|      | 16       | 383165        | (000000- ) Boot, Switch, Ignition                    | 1    |
| ▽    | 17       | 87536         | (000000- ) Switch, Ignition [Ku]                     | 1    |
| ▲    | 18       | 87866         | (000000- ) Key, Ignition [Set Of 2]                  | 1    |
|      | 19       | 49263         | (000000- ) Tie, Cable, Nyl, 11.4l .19w 3.0 Max D     | 1    |
|      | 20       | 382516        | (000000- ) Boot, .63id .29l .90w                     | 1    |
|      | 21       | 33807         | (000000- ) Plug, Hole, Rnd, 0.44h .03- .12, Blk Nyl  | 1    |
|      | 22       | 1057040       | (000000- ) Bracket, Mtg, Circuitbreaker, Ele         | 1    |
|      | 23       | 1064184       | (000000- ) Circuitbreaker, 2.5a, Resetable           | 10   |
|      | 24       | 1064188       | (000000- ) Circuitbreaker, 15a, Resetable            | 1    |
|      | 25       | 1064189       | (000000- ) Circuitbreaker, 20a, Resetable            | 1    |
|      | 26       | 87349         | (000000- ) Resistor, 040.000hm, 0040watt             | 1    |
|      | 27       | 09200         | (000000- ) Screw, Pan, Phl, M5 X 0.80 X 12, Ss       | 2    |
|      | 28       | 19066         | (000000- ) Washer, Flat, 10                          | 3    |
|      | 29       | 06549         | (000000- ) Nut, Hex, Lock, M5 X 0.80, NI             | 3    |
|      | 30       | 222290        | (000000- ) Diode, Ele, Plug                          | 6    |
|      | 31       | 1037354       | (000000- ) Screw, Hex, M8 X 1.25 X 30, 9.8, Sems     | 1    |
|      | 32       | 07791         | (000000- ) Nut, Hex, Flng, M8 X 1.25                 | 5    |
|      | 33       | 1037346       | (000000- ) Screw, Hex, M8 X 1.25 X 25, 9.8, Sems     | 6    |
|      | 34       | 58366         | (000000- ) Clamp, Cable, Stl, 1.25d X 1.00w, 1hole   | 1    |
|      | 35       | 1041873       | (000000- ) Fastener, Wire, Tie [Button Head]         | 3    |
|      | 36       | 1040467       | (000000- ) Screw, Hex, M6 X 1.00 X 20, 9.8, Sems     | 2    |
|      | 37       | 398526        | (000000- ) Relay, 36vdc, 005a, Spdt No [Greenwich]   | 1    |
|      | 38       | 39239         | (000000- ) Screw, Pan, Phl, 10- 32 X 0.50, G2, Blk   | 1    |
|      | 39       | 1075003       | (000000- ) Keychain, Rectangle, Parts & Service      | 1    |

Fig. 10 - Steering Wheel Group

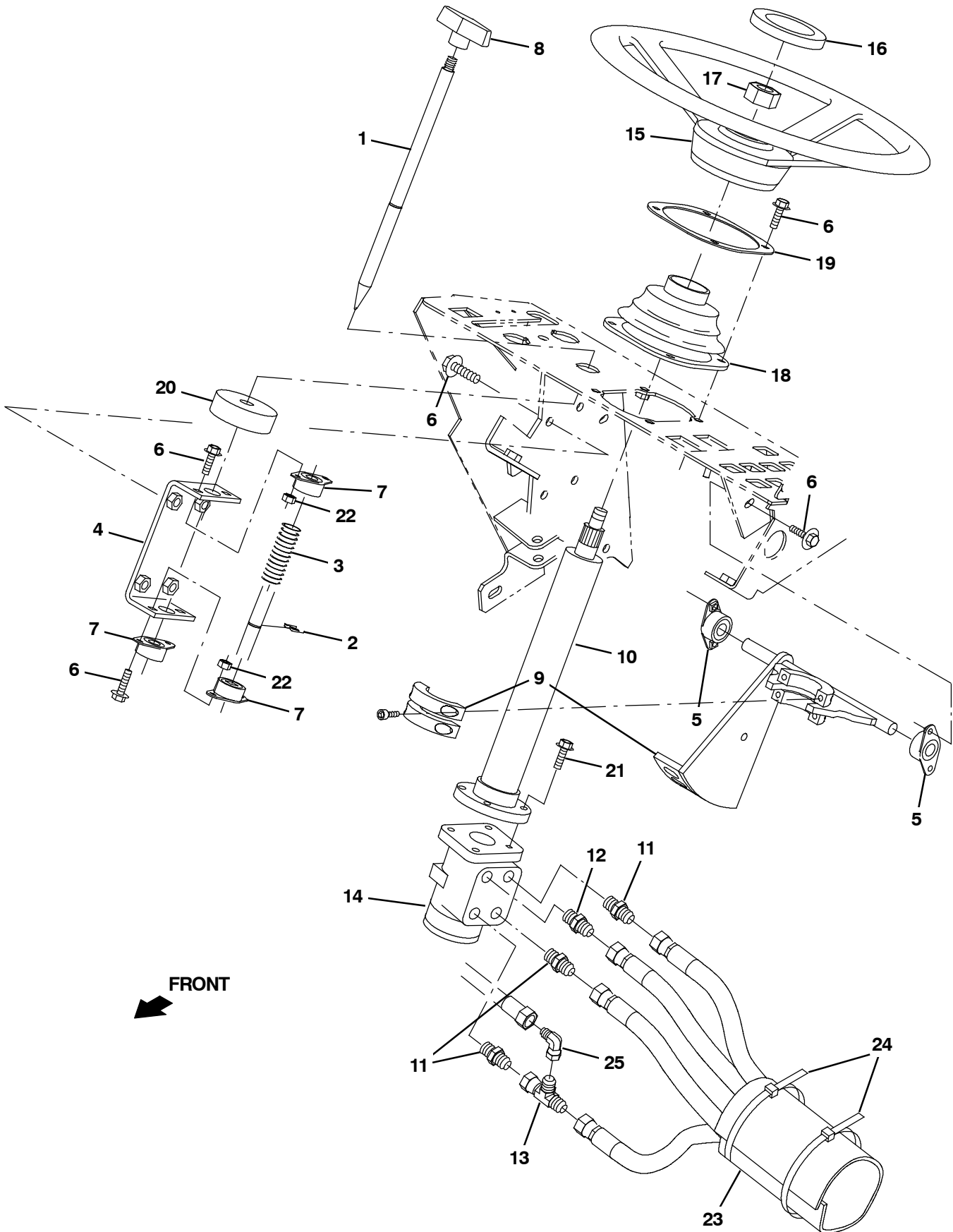


Fig. 10 - Steering Wheel Group

| Ref. | Part No. | Serial Number   | Description   | Qty. |
|------|----------|-----------------|---|------|
| 1    | 360711   | (000000-        | ) Rod, Latch, Tilt, Steering                        | 1    |
| 2    | 70717    | (000000-        | ) Ring, Retaining, Ext, 0.50d, Hd                   | 1    |
| 3    | 22290    | (000000-        | ) Spring, Cmpr, 0.72od .06wir 02.3l                 | 1    |
| 4    | 1045222  | (000000-        | ) Channel, Mtg, Steering Latch                      | 1    |
| 5    | 70709    | (000000-        | ) Bearing, Flng, 2hole, 0.50b                       | 2    |
| 6    | 1036892  | (000000-        | ) Screw, Hex, M6 X 1.00 X 25, 9.8 Sems              | 16   |
| 7    | 47585    | (000000-        | ) Bearing, Flng, 2hole, 0.50b [Nyl]                 | 3    |
| 8    | 04706    | (000000-        | ) Knob, Tee, 0.38- 16, 2.5 X 1.0 1.1l,Plstc         | 1    |
| 9    | 1058784  | (000000-        | ) Bracket Wldt, Steering, Tilt                      | 1    |
| 10   | 1048351  | (000000-        | ) Column, Steering, 09.9l 0.86d 36tooth             | 1    |
| 11   | 56690    | (000000- 002999 | ) Fitting, Hyd, Str, Jm06/Om06                      | 3    |
| 11   | 762433   | (003000-        | ) Fitting, Hyd, Str, Fm06/Om06                      | 5    |
| 12   | 56835    | (000000- 002999 | ) Fitting, Hyd, Str, Jm08/Om06                      | 1    |
| 12   | 762459   | (000000-        | ) Fitting, Hyd, Str, Fm08/Om06                      | 1    |
| 13   | 42215    | (000000- 002999 | ) Fitting, Hyd, Tee, Jf06/Jm06/Jm06, Run            | 1    |
| 13   | 762435   | (003000-        | ) Fitting, Hyd, Tee, Ff06/Fm06/Fm06, Run            | 1    |
| 14   | 74173    | (000000-        | ) Steer- Control, Hyd04, 07.3 0600 (See Breakdowns) | 1    |
| 15   | 1058996  | (000000-        | ) Wheel, Steering, 14.0D 0.81B 36Tooth              | 1    |
| 16   | 1075168  | (000000-        | ) Button, Cntrl, Horn [Isolated]                    | 1    |
| 17   | 56185    | (000000-        | ) Nut, Hex, Jam, M20 X 1.5                          | 1    |
| 18   | 70622    | (000000-        | ) Boot, Bellows, 3.1l 4.4w 2.8h 1hole, Neo          | 1    |
| 19   | 360867   | (000000-        | ) Plate, Mtg  | 1    |
| 20   | 75968    | (000000-        | ) Insulation, Acstc, Rnd, 0.8, 02.5d 0.5h           | 1    |
| 21   | 21195    | (000000-        | ) Screw, Hex, .38- 16 X 0.75, G5                    | 4    |
| 22   | 08708    | (000000-        | ) Nut, Hex, Lock, M6 X 1.00, NI                     | 4    |
| 23   | 82833    | (000000-        | ) Sleeve, Nyl, 1.22id 35.0l                         | 1    |
| 24   | 49263    | (000000-        | ) Tie, Cable, Nyl, 11.4l .19w 3.0 Max D             | 1    |
| 25   | 47504    | (000000- 002999 | ) Fitting, Hyd, E90, Jf06/Jm06                      | 1    |
| 25   | 1072195  | (003000-        | ) Fitting, Hyd, E90, Ff06/Fm06                      | 1    |

**Fig. 11 - Directional Pedal Group**

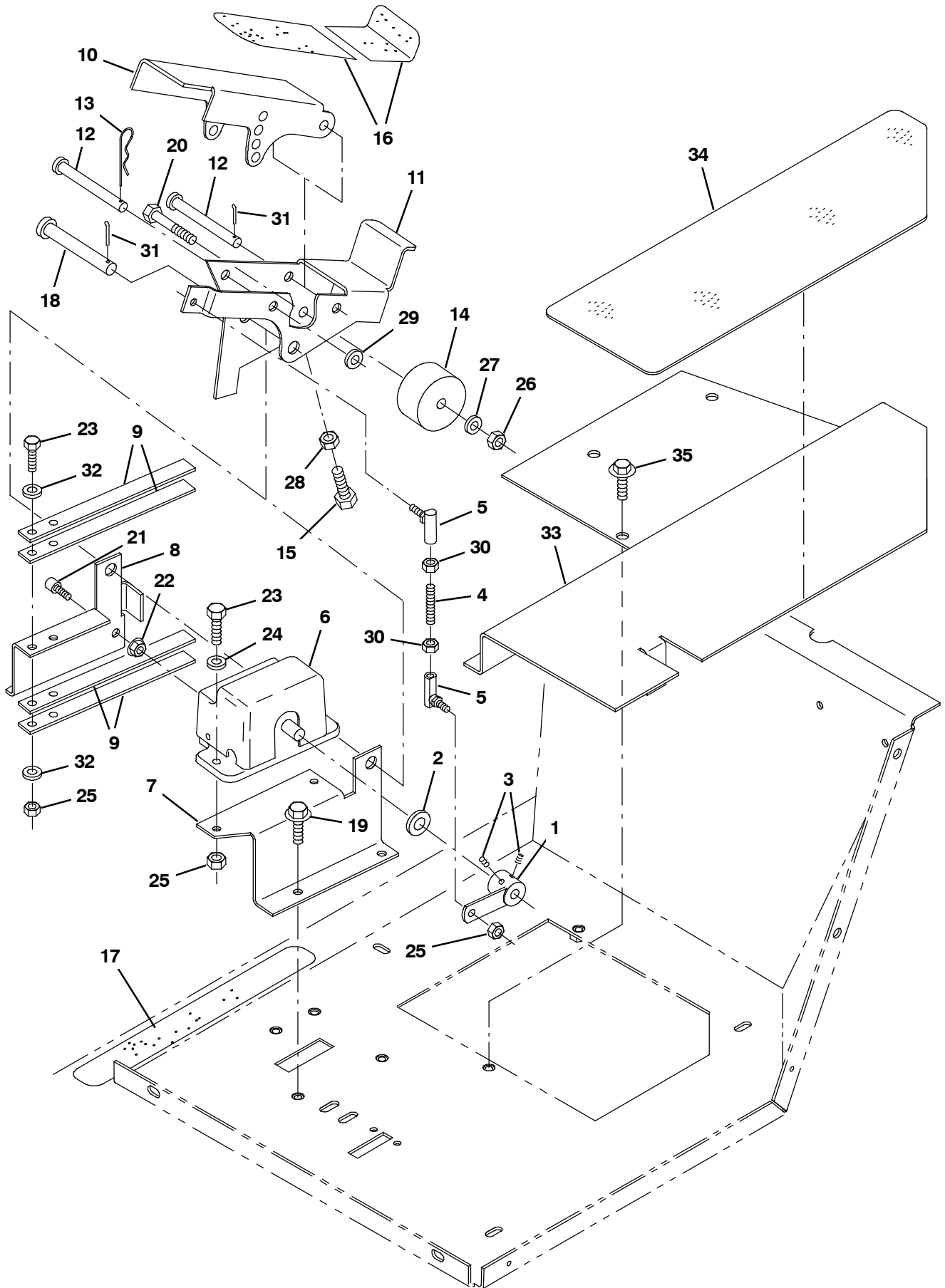


Fig. 11 - Directional Pedal Group

| Ref. | Part No. | Serial Number | Description                                | Qty. |
|------|----------|---------------|--|------|
| 1    | 1050955  | (000000-      | ) Arm Wldt, Cntrl, Dir                     | 1    |
| 2    | 43611    | (000000-      | ) Washer, Flat, 0.39b 0.75d .06, Nyl       | 1    |
| 3    | 17186    | (000000-      | ) Screw, Set, Soc, M5 X 0.80 X 8, PI [45h] | 2    |
| 4    | 14397    | (000000-      | ) Rod, Thrld, 2 End, M06 X 1.0 02.2l       | 1    |
| 5    | 12263    | (000000-      | ) Balljoint, M6 X 1.0 Fem, M6 X 1.0 Mal    | 2    |
| 6    | 14368    | (000000-      | ) Throttle, Electronic, 0000/5000 Ohm      | 1    |
| 7    | 1050957  | (000000-      | ) Bracket, Mtg, Pedal, Lh                  | 1    |
| 8    | 1052531  | (000000-      | ) Bracket, Mtg, Pedal, Rh                  | 1    |
| 9    | 49681    | (000000-      | ) Spring, Flat, .06, 0.75w X 07.8l         | 4    |
| 10   | 1052540  | (000000-      | ) Pedal, Propel, Adj, Upper                | 1    |
| 11   | 1052541  | (000000-      | ) Pedal Wldt, Propel, Lower, Adj           | 1    |
| 12   | 72084    | (000000-      | ) Pin, Clevis, 0.37d X 3.50l               | 2    |
| 13   | 44906    | (000000-      | ) Pin, Cotter, Hair, 0.38d .093 Wir        | 1    |
| 14   | 87725    | (000000-      | ) Spacer, Plstc, 0.41b 2.25d 1.30l, Nyl    | 1    |
| 15   | 36801    | (000000-      | ) Screw, Hex, .38- 16 X 1.50, FI           | 1    |
| 16   | 75430    | (000000-      | ) Tread, Non-Skid, 02.2w 15.5l             | 1    |
| 17   | 86798    | (000000-      | ) Tread, Non-Skid, 01.4w 12.0l             | 1    |
| 18   | 06474A   | (000000-      | ) Pin, Clevis, 0.50d X 3.50l               | 1    |
| 19   | 1037346  | (000000-      | ) Screw, Hex, M8 X 1.25 X 25, 9.8, Sems    | 4    |
| 20   | 06963    | (000000-      | ) Screw, Hex, M10 X 1.50 X 60, 8.8         | 1    |
| 21   | 39308    | (000000-      | ) Screw, Soc, M8 X 1.25 X 25, 12.9         | 1    |
| 22   | 07791    | (000000-      | ) Nut, Hex, Flng, M8 X 1.25                | 1    |
| 23   | 06943    | (000000-      | ) Screw, Hex, M6 X 1.00 X 20, 8.8          | 5    |
| 24   | 32483    | (000000-      | ) Washer, Flat, 0.25, Sae                  | 2    |
| 25   | 08708    | (000000-      | ) Nut, Hex, Lock, M6 X 1.00, NI            | 5    |
| 26   | 41430    | (000000-      | ) Nut, Hex, Lock, M10 X 1.5, NI            | 1    |
| 27   | 32485    | (000000-      | ) Washer, Flat, 0.38, Sae                  | 1    |
| 28   | 25014    | (000000-      | ) Nut, Hex, Std, .38- 16                   | 1    |
| 29   | 32486    | (000000-      | ) Washer Flat, 0.50, Sae                   | 1    |
| 30   | 41359    | (000000-      | ) Nut, Hex, Std, M6 X 1.00, 8              | 2    |
| 31   | 08182    | (000000-      | ) Pin, Cotter, .125 X 1.00                 | 2    |
| 32   | 32490    | (000000-      | ) Washer, Flat, 0.25, Std                  | 4    |
| 33   | 1048508  | (000000-      | ) Cover, Plt, Floor                        | 1    |
| 34   | 360906   | (000000-      | ) Tread, Non-Skid, 06.5w 20.6l             | 1    |
| 35   | 1037346  | (000000-      | ) Screw, Hex, M8 X 1.25 X 25, 9.8, Sems    | 4    |

**Fig. 12 - Wheel and Brake Group, Front**

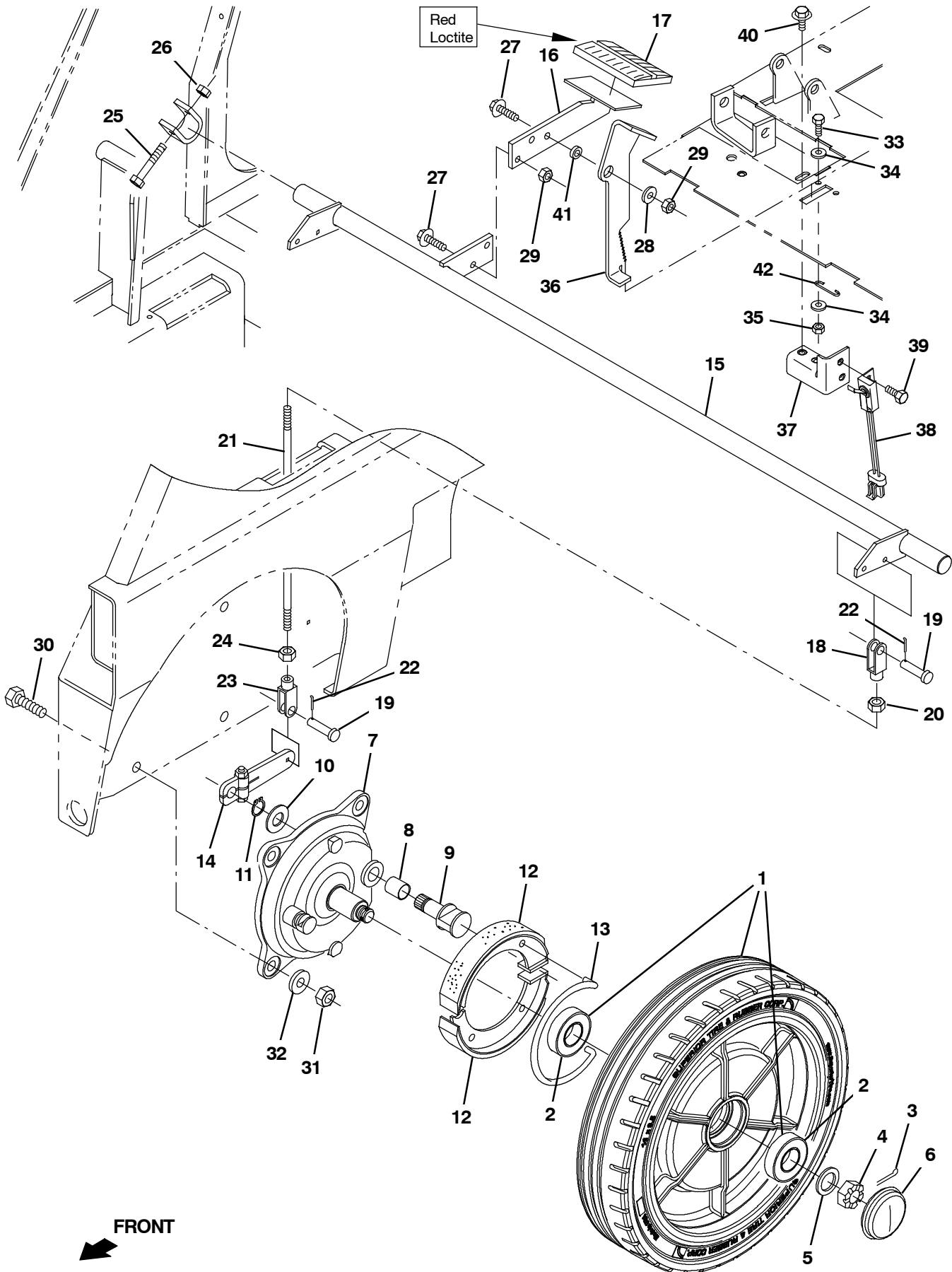


Fig. 12 - Wheel and Brake Group, Front

| Ref. | Part No. | Serial Number | Description  | Qty. |
|------|----------|---------------|--|------|
| ▽    | 1        | 1076240       | (000000- ) Tire Assy, Idler, 16.0 X 3.5, Rubber    | 2    |
| ▲    | 2        | 360074        | (000000- ) Bearing, Ball, 1.18b 2.44d 0.63w        | 2    |
|      | 3        | 08182         | (000000- ) Pin, Cotter, .125 X 1.00                | 2    |
|      | 4        | 86659         | (000000- ) Nut, Hex, Slted, .75- 16                | 2    |
|      | 5        | 49145         | (000000- ) Washer, Flat, 0.76b 1.50d .06, Ss       | 2    |
|      | 6        | 54390         | (000000- ) Cap, Hub, Dust, 2.57d 0.77l             | 2    |
| ▽    |          | 360023        | (000000- ) Brake Assy                              | 2    |
| ▲    | 7        | 360270        | (000000- ) Plate, Backing, Brake                   | 1    |
| ▲    | 8        | 360271        | (000000- ) Bushing, Sleeve, 0.78b 0.86d 0.93l, Bnz | 1    |
| ▲    | 9        | 360272        | (000000- ) Cam, Plt, Brake [Nickel]                | 1    |
| ▲    | 10       | 360273        | (000000- ) Washer, Flat, M21.0b X 37d X 3          | 1    |
| ▲    | 11       | 360274        | (000000- ) Retainer, Ring, Brake                   | 1    |
| ▲    | 12       | 360275        | (000000- ) Shoe, Brake, 180 X 30mm                 | 2    |
| ▲    | 13       | 360276        | (000000- ) Spring, Wir, 0.25d, Brake Return        | 1    |
|      | 14       | 360802        | (000000- ) Arm, Lever, Brake, 4.1 [Knott]          | 2    |
|      | 15       | 1052114       | (000000- ) Shaft Wldt, Brush                       | 1    |
|      | 16       | 1052113       | (000000- ) Pedal Wldt, Brake                       | 1    |
|      | 17       | 51109         | (000000- ) Pad, Pedal, Brake, 3.96l 2.36w 0.75     | 1    |
| ▽    |          | 9019140       | (000000- ) Brake Kit, Linkage Ci [S20]             | 2    |
| ▲    | 18       | 14595- 1      | (000000- ) Clevis, Adj, 0.25pin, 0.25- 28 Rh, PI   | 1    |
| ▲    | 19       | 14605         | (000000- ) Pin, Clevis, 0.25d X 0.75l              | 2    |
| ▲    | 20       | 32899         | (000000- ) Nut, Hex, Jam, .25- 28                  | 1    |
| ▲    | 21       | 1247287       | (000000- ) Rod, Thr, 2 End, .25- 28 16.00l         | 1    |
| ▲    | 22       | 08170         | (000000- ) Pin, Cotter, .062 X 0.50                | 2    |
| ▲    | 23       | 364864        | (000000- ) Clevis, Adj, 0.25pin, 0.25- 28 Lh, PI   | 1    |
| ▲    | 24       | 364948        | (000000- ) Nut, Hex, Std, .25- 28, Lh              | 1    |
|      | 25       | 06949         | (000000- ) Screw, Hex, M6 X 1.00 X 50, 8.8         | 2    |
|      | 26       | 08708         | (000000- ) Nut, Hex, Lock, M6 X 1.00, NI           | 2    |
|      | 27       | 1037355       | (000000- ) Screw, Hex, M8 X 1.25 X 35, 9.8, Sems   | 3    |
|      | 28       | 32491         | (000000- ) Washer, Flat, 0.31, Std                 | 1    |
|      | 29       | 08709         | (000000- ) Nut, Hex, Lock, M8 X 1.25, NI           | 3    |
|      | 30       | 06968         | (000000- ) Screw, Hex, M12 X 1.75 X 35, 8.8        | 8    |
|      | 31       | 08711         | (000000- ) Nut, Hex, Lock, M12 X 1.75, NI          | 8    |
|      | 32       | 32486         | (000000- ) Washer Flat, 0.50, Sae                  | 8    |
|      | 33       | 1054875       | (000000- ) Screw, Hex, M5 X 1.0 X 16, Blk          | 2    |
|      | 34       | 19066         | (000000- ) Washer, Flat, 10                        | 4    |
|      | 35       | 06549         | (000000- ) Nut, Hex, Lock, M5 X 0.80, NI           | 2    |
|      | 36       | 1046553       | (000000- ) Lever, Stop, Brake                      | 1    |
|      | 37       | 1048142       | (000000- ) Bracket, Switch, Brake                  | 1    |
|      | 38       | 1039735       | (000000- ) Switch, Snap, 15a No                    | 1    |
|      | 39       | 87308         | (000000- ) Screw, Hex, M6 X 1.00 X 12, 8.8         | 2    |
|      | 40       | 1020341       | (000000- ) Screw, Hex, M8 X 1.25 X 20, Ss, Sems    | 2    |
|      | 41       | 1052263       | (000000- ) Tube, 0.34id 0.62od 00.2l, Stl          | 1    |
|      | 42       | 71367         | (000000- ) Spring, Wir, 0.08d, Parking Brake       | 1    |

**Fig. 13 - Steering Cylinder Group (000000-005799)**

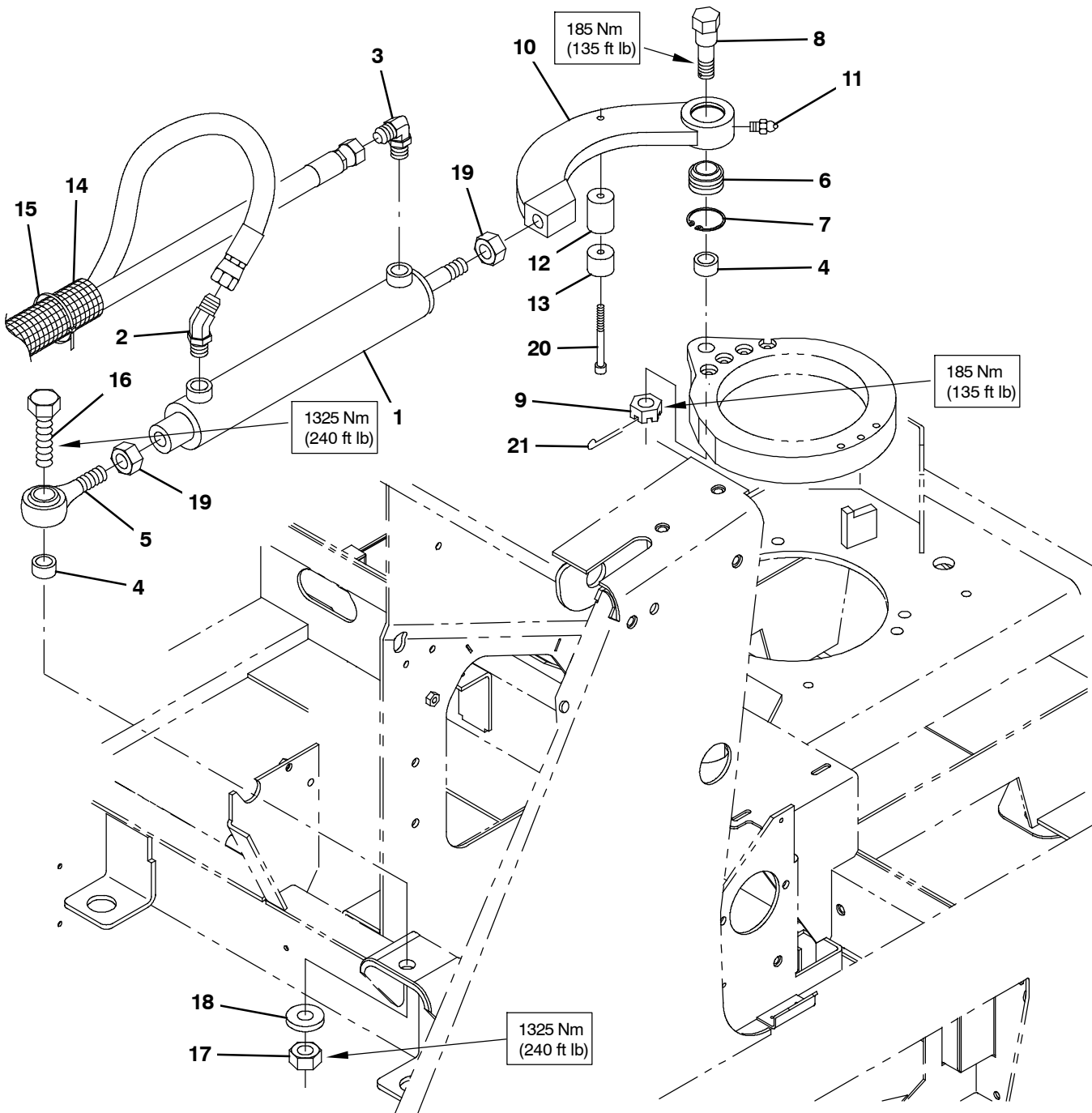


Fig. 13 - Steering Cylinder Group (000000- 005799)

| Ref. | Part No. | Serial Number     | Description                              | Qty. |
|------|----------|-------------------|--|------|
| 1    | 1036631  | (000000- 005799 ) | Cylinder, Hyd, 2.0b 19.0l 12.00strk 1500 | 1    |
| 2    | 47522    | (000000- 002999 ) | Fitting, Hyd, E45, Jm06/Om06             | 1    |
| 2    | 762442   | (003000- 005799 ) | Fitting, Hyd, E45, Fm06/Om06             | 1    |
| 3    | 56820    | (000000- 002999 ) | Fitting, Hyd, E90, Jm06/Om06             | 1    |
| 3    | 762432   | (003000- 005799 ) | Fitting, Hyd, E90, Fm06/Om06             | 1    |
| 4    | 69928    | (000000- 005799 ) | Tube, 0.77id 1.13od 00.6l, Stl, Pl       | 2    |
| 5    | 64886    | (000000- 005799 ) | Rod- End, 0.75- 16rh Mal 0.75b [Teflon]  | 1    |
| 6    | 42120- 4 | (000000- 005799 ) | Bearing, Self Align, 1.00b 1.63d         | 1    |
| 7    | 69925    | (000000- 005799 ) | Ring, Retaining, Int, 1.63d              | 1    |
| 8    | 69924    | (000000- 005799 ) | Shaft, Pivot, Steering                   | 1    |
| 9    | 39527    | (000000- 005799 ) | Nut, Hex, Sltd, .75- 16                  | 1    |
| 10   | 1052560  | (000000- 005799 ) | Arm, Steering                            | 1    |
| 11   | 07259    | (000000- 005799 ) | Fitting, Grease, Str Pm04 .47l           | 1    |
| 12   | 1052561  | (000000- 005799 ) | Spacer                                   | 1    |
| 13   | 69926    | (000000- 005799 ) | Pad, Wear, Pye, 1.25d 1.0l               | 1    |
| 14   | 82833    | (000000- 005799 ) | Sleeve, Nyl, 1.22id 35.0l                | 1    |
| 15   | 49263    | (000000- 005799 ) | Tie, Cable, Nyl, 11.4l .19w 3.0 Max D    | 3    |
| 16   | 58056    | (000000- 005799 ) | Screw, Hex, .75- 10 X 3.00, G5           | 1    |
| 17   | 32987    | (000000- 005799 ) | Nut, Hex, Lock, .75- 10, NI              | 1    |
| 18   | 39350    | (000000- 005799 ) | Washer, Flat, 0.75, Sae                  | 1    |
| 19   | 35886    | (000000- 005799 ) | Nut, Hex, Jam, .75- 16                   | 2    |
| 20   | 09037    | (000000- 005799 ) | Screw, Soc, M8 X 1.25 X 70, 12.9         | 1    |
| 21   | 08175    | (000000- 005799 ) | Pin, Cotter, .125 X 1.25                 | 1    |

Fig. 14 - Wheel Group, Rear Drive (000000-005799)

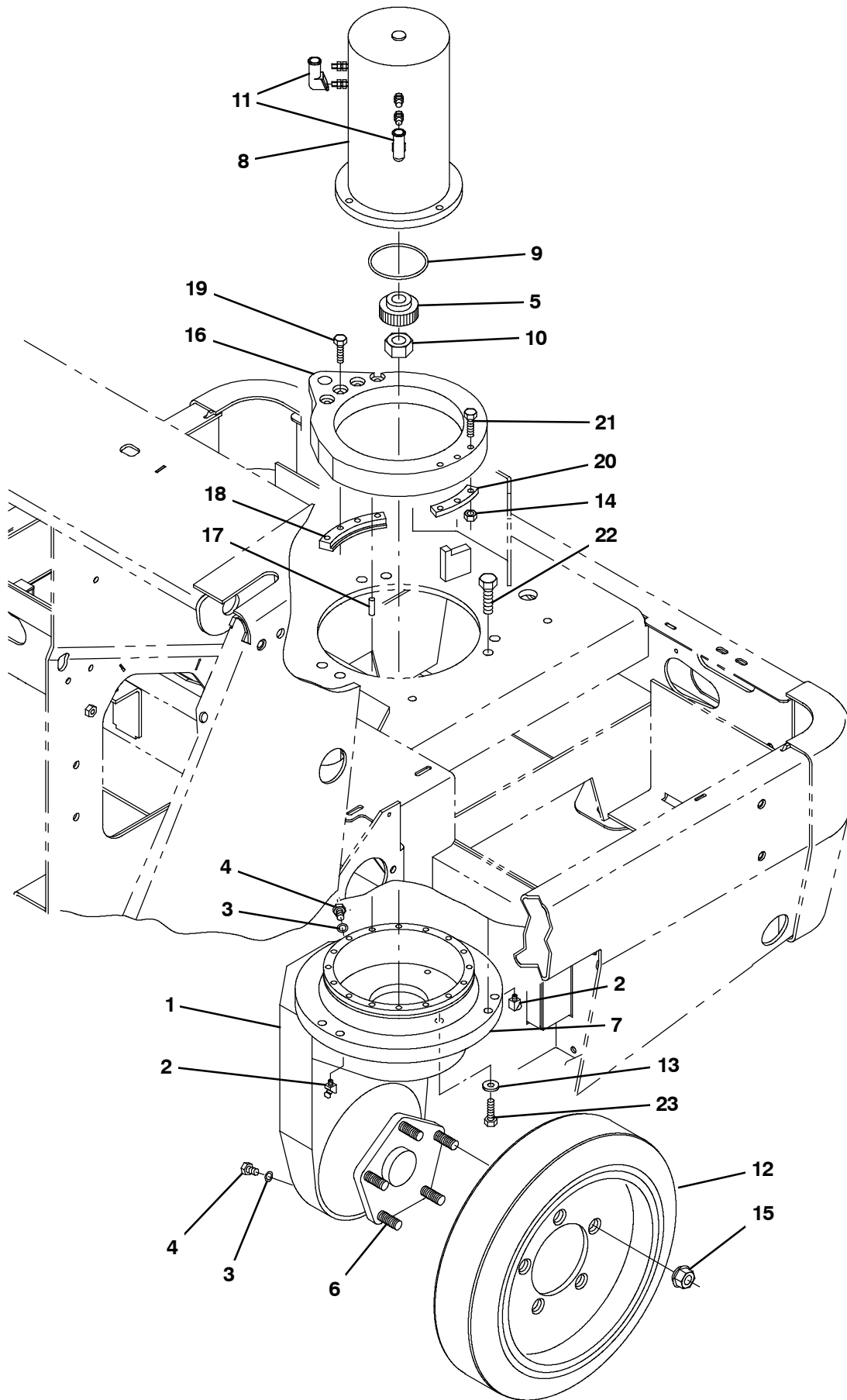


Fig. 14 - Wheel Group, Rear Drive (000000-005799)

| Ref. | Part No. | Serial Number | Description  | Qty. |
|------|----------|---------------|--|------|
| ▽    | 1        | 87355         | (000000-005799 ) Gearbox, 90, Drive Wheel, Rear [Hu]                       | 1    |
| ▲    | 2        | 87839         | (000000-005799 ) Fitting, Grease   | 2    |
| ▲    | 3        | 87840         | (000000-005799 ) Seal, Org   | 2    |
| ▲    | 4        | 87841         | (000000-005799 ) Plug, Gearbox, Drive Wheel                                | 2    |
| ▲    | 5        | 87849         | (000000-005799 ) Gear, Drive   | 1    |
| ▲    | 6        | 12540         | (000000-005799 ) Bolt, Gearbox, Drive Wheel                                | 5    |
| ▲    | 7        | 61791         | (000000-005799 ) Housing, Upper, Gearbox, Drive Wheel                      | 1    |
|      | 8        | 360065        | (000000-005799 ) Motor, Ele, 36vdc 2130rpm 2.10hp (See Breakdowns)         | 1    |
|      | 9        | 360980        | (000000-005799 ) Seal, Org, .139 X 02.98id                                 | 1    |
|      | 10       | 360680        | (000000-005799 ) Nut, Hex, Lock, M14 X 1.50, NI                            | 1    |
|      | 11       | 02076         | (000000-005799 ) Boot, 90deg .50id .57id X .84id 1.0l,Blk                  | 4    |
|      | 12       | 1063246       | (000000-005799 ) Tire, Drive, Swpr, Blk, 16.0x4.0                          | 1    |
|      | 12       | 1063248       | (000000-005799 ) Tire, Drive, Swpr, Grey, 16.0x4.0 (Optional non- Marking) | 1    |
|      | 13       | 32984         | (000000-005799 ) Washer, Lock, Int, 0.31                                   | 2    |
|      | 14       | 08713         | (000000-005799 ) Nut, Hex, Lock, M8 X 1.25, NI, Ss                         | 3    |
|      | 15       | 87750         | (000000-005799 ) Nut, Wheel, M14- 1.5                                      | 5    |
|      | 16       | 1052562       | (000000-005799 ) Ring, Steering  | 1    |
|      | 17       | 87749         | (000000-005799 ) Pin, Dowel, 0.3127d X 1.00l                               | 8    |
|      | 18       | 55808         | (000000-005799 ) Clamp, Steering   | 1    |
|      | 19       | 72040         | (000000-005799 ) Screw, Hex, M8 X 1.25 X 45, 10.9                          | 4    |
|      | 20       | 1052563       | (000000-005799 ) Clamp, Steering   | 1    |
|      | 21       | 39278         | (000000-005799 ) Screw, Hex, M8 X 1.25 X 50, 8.8                           | 3    |
|      | 22       | 41346         | (000000-005799 ) Screw, Hex, M12 X 1.75 X 30, 8.8                          | 6    |
|      | 23       | 06958         | (000000-005799 ) Screw, Hex, M8 X 1.25 X 80, 8.8                           | 2    |

Fig. 15 - Wheel Group, Rear Drive (005800- )

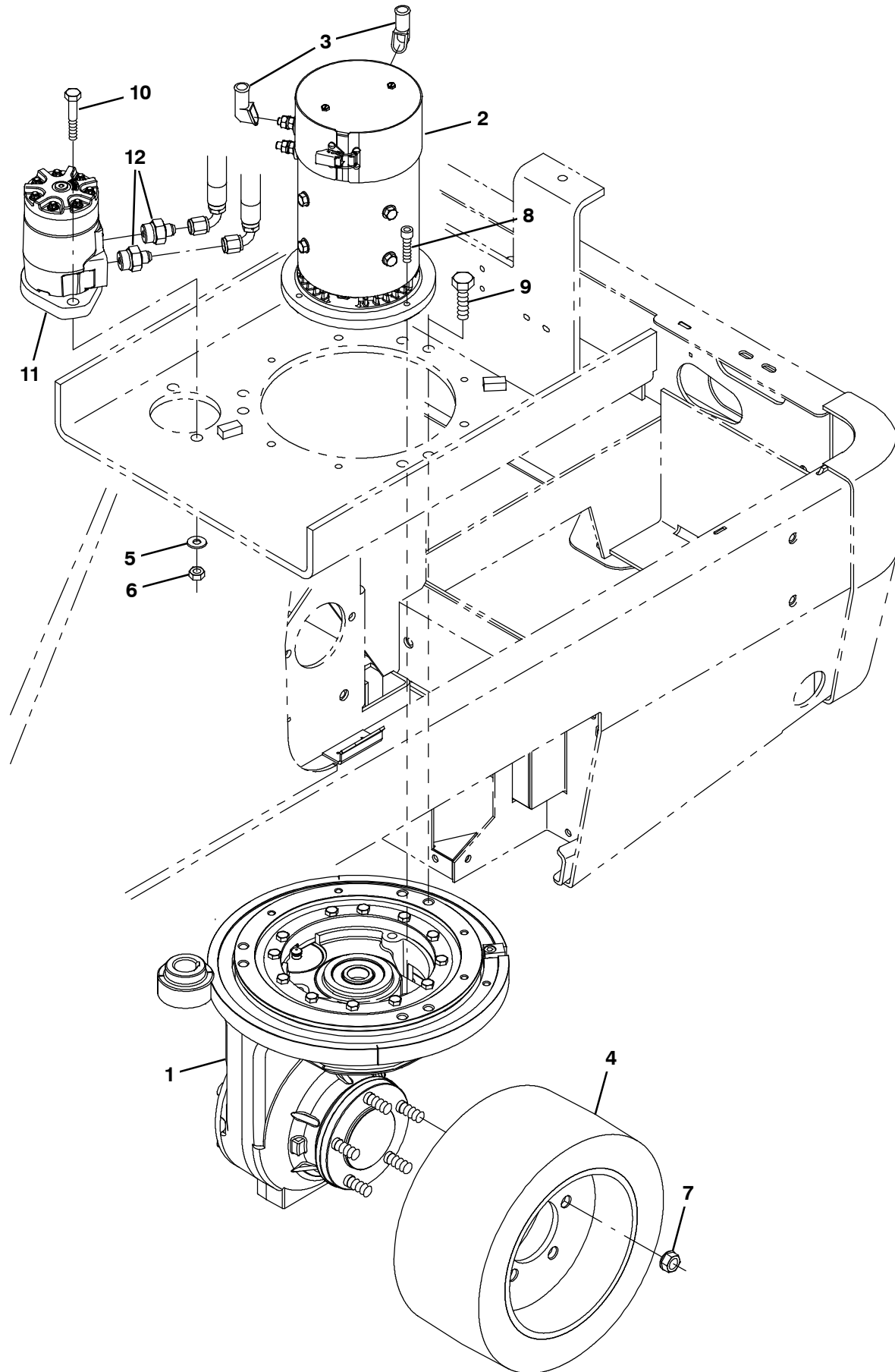


Fig. 15 - Wheel Group, Rear Drive (005800- )

| Ref. | Part No. | Serial Number | Description                                | Qty.                                      |   |
|------|----------|---------------|--|---|---|
| 1    | 1072792  | (005800-      | ) Gearbox, Drive, 90, Wheel [Zf Gk20]      | 1   |   |
| 2    | 1073173  | (005800-      | ) Motor, Ele, 36vdc 1300rpm 2.10hp         | 1   |   |
| 3    | 02076    | (005800-      | ) Boot, 90deg .50id .57id X .84id 1.0l,Blk | 4   |   |
| 4    | 1073612  | (005800-      | ) Tire Assy, Solid, 12.0 X 5.5, Blk        | 1   |   |
| 5    | 32984    | (005800-      | ) Washer, Lock, Int, 0.31                  | 2   |   |
| 6    | 08713    | (005800-      | ) Nut, Hex, Lock, M8 X 1.25, NI, Ss        | 2   |   |
| 7    | 87750    | (005800-      | ) Nut, Wheel, M14- 1.5                     | 5   |   |
| 8    | 1074369  | (005800-      | ) Bolt, Shld, 10mmd X 010mm, M8 X 1.25     | 3   |   |
| 9    | 41346    | (005800-      | ) Screw, Hex, M12 X 1.75 X 30, 8.8         | 6   |   |
| 10   | 14455    | (005800-      | ) Screw, Hex, M8 X 1.25 X 160, 8.8         | 2   |   |
| ▽    | 11       | 1074091       | (005800-                                   | ) Motor, Hyd, Gear, Int 14.9 Bi- Dir 1300 | 1 |
| ▲    |          | 373423        | (005800-                                   | ) Seal Kit, Motor                         | 1 |
|      | 12       | 762439        | (005800-                                   | ) Fitting, Hyd, Str, Fm06/Om10            | 2 |

**Fig. 16 - Brush Lift Group, Main**

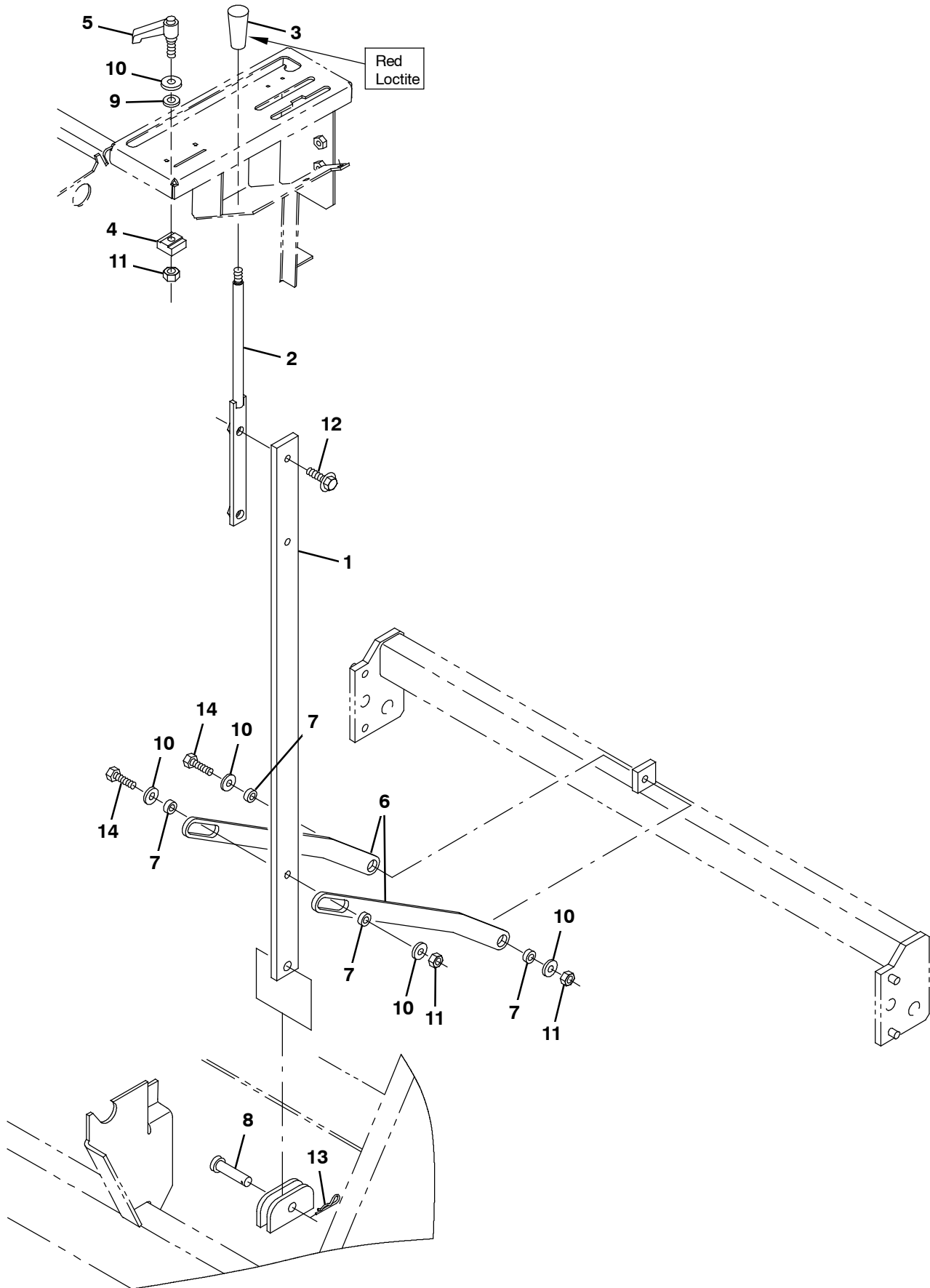


Fig. 16 - Brush Lift Group, Main

| Ref. | Part No. | Serial Number | Description                               | Qty. |
|------|----------|---------------|---|------|
| 1    | 1048801  | (000000-      | ) Lever, Brush Lift                       | 1    |
| 2    | 1055049  | (000000-      | ) Handle Wldt, Lift, Brush                | 1    |
| 3    | 54995    | (000000-      | ) Knob, 1.12d 3.86l M10 X 1.5, Plstc Tpr] | 1    |
| 4    | 360774   | (000000-      | ) Block, Adj                              | 1    |
| 5    | 375020   | (000000-      | ) Lever, Adj, Plstc                       | 1    |
| 6    | 1076300  | (000000-      | ) Link, Lift, Main Brush                  | 2    |
| 7    | 360460   | (000000-      | ) Sleeve, P/M, 0.34b 0.63d 0.4l, Ss / Oil | 4    |
| 8    | 51529    | (000000-      | ) Pin, Clevis, 0.50d X 1.25l              | 1    |
| 9    | 1055074  | (000000-      | ) Washer, Sealing, M8                     | 1    |
| 10   | 32491    | (000000-      | ) Washer, Flat, 0.31, Std                 | 5    |
| 11   | 08709    | (000000-      | ) Nut, Hex, Lock, M8 X 1.25, NI           | 3    |
| 12   | 1037354  | (000000-      | ) Screw, Hex, M8 X 1.25 X 30, 9.8, Sems   | 2    |
| 13   | 44906    | (000000-      | ) Pin, Cotter, Hair, 0.38d .093 Wir       | 1    |
| 14   | 06956    | (000000-      | ) Screw, Hex, M8 X 1.25 X 45, 8.8         | 2    |

Fig. 17 - Brush Cable Lift Group, Main

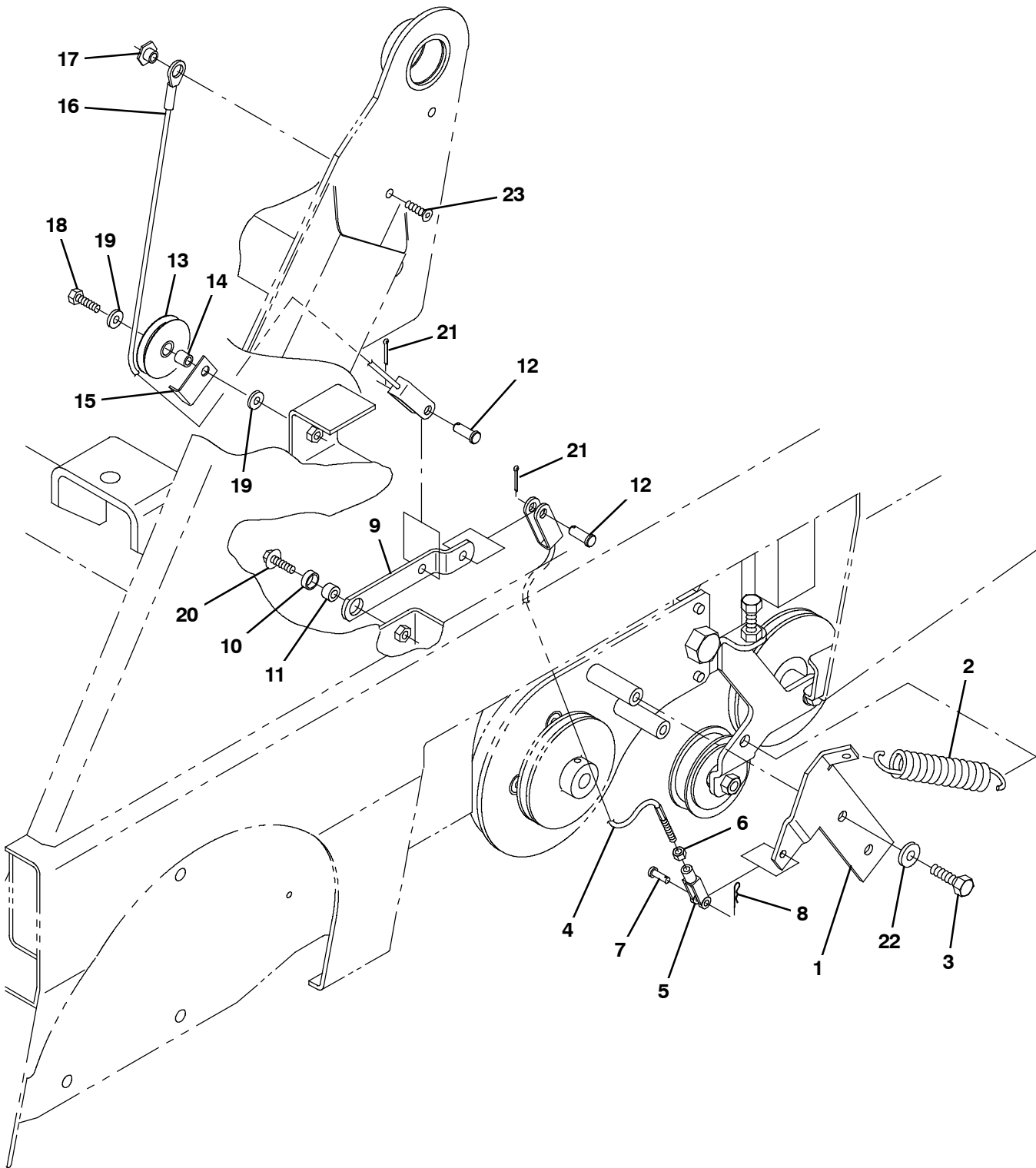
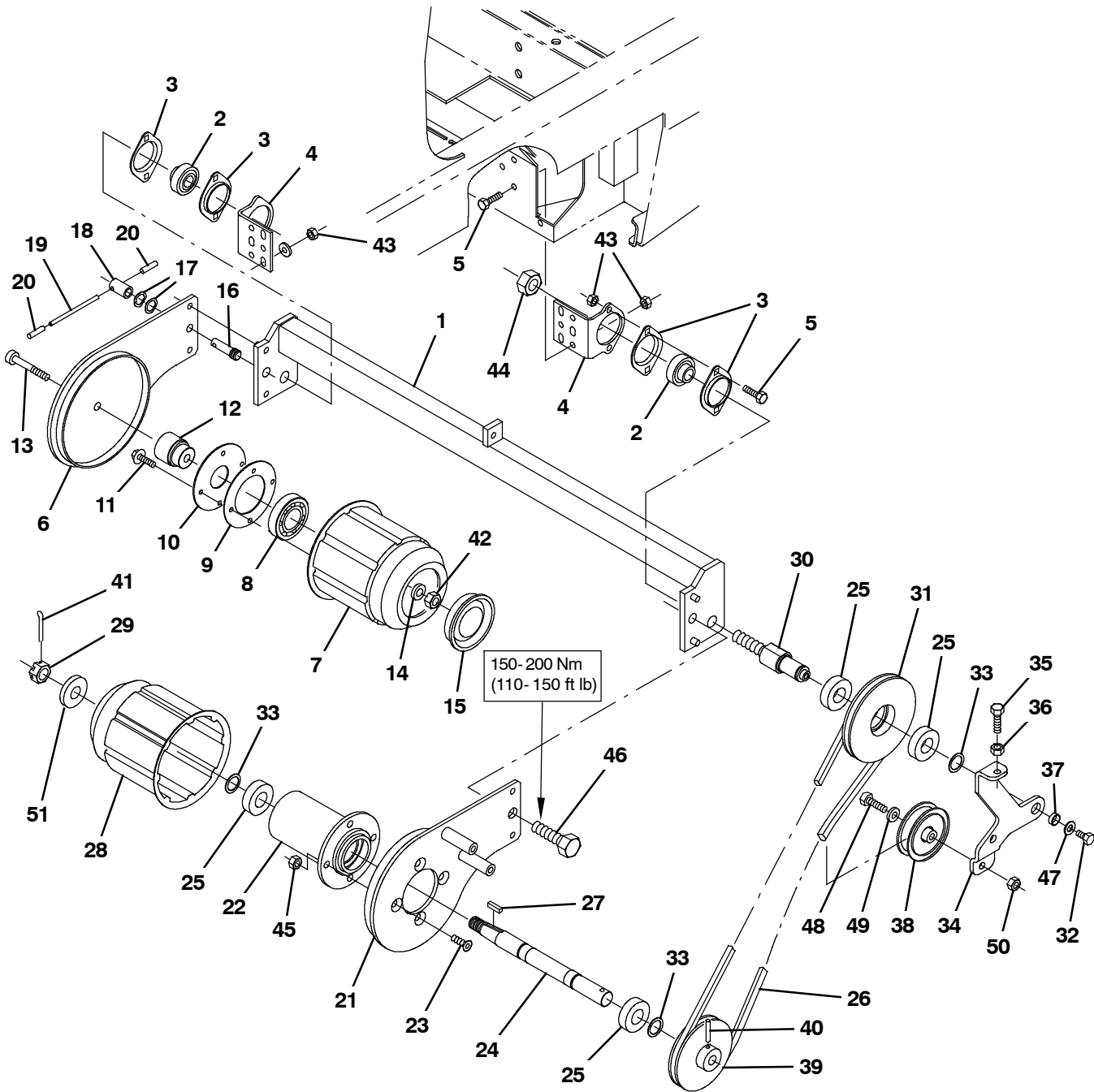


Fig. 17 - Brush Cable Lift Group, Main

| Ref. | Part No. | Serial Number | Description                                | Qty. |
|------|----------|---------------|--|------|
| 1    | 1049220  | (000000-      | ) Bracket, Lift, Brush, Auto               | 1    |
| 2    | 360488   | (000000-      | ) Spring, Extn                             | 1    |
| 3    | 09291    | (000000-      | ) Screw, Hex, M10 X 1.50 X 20, Ss          | 2    |
| 4    | 361096   | (000000-      | ) Cable, Glv .13d 010.3l .4clevis /.25- 28 | 1    |
| 5    | 14595- 1 | (000000-      | ) Clevis, Adj, 0.25pin, 0.25- 28 Rh, Pl    | 1    |
| 6    | 01714    | (000000-      | ) Nut, Hex, Std, .25- 28                   | 1    |
| 7    | 14605    | (000000-      | ) Pin, Clevis, 0.25d X 0.75l               | 1    |
| 8    | 08085    | (000000-      | ) Pin, Cotter, Hair, 0.31d .058 Wir        | 1    |
| 9    | 1049224  | (000000-      | ) Plate, Pivot, Lift, Auto                 | 1    |
| 10   | 360491   | (000000-      | ) Bushing, Sleeve, 0.63b 0.72d 0.25l       | 1    |
| 11   | 360460   | (000000-      | ) Sleeve, P/M, 0.34b 0.63d 0.4l, Ss / Oil  | 1    |
| 12   | 09088    | (000000-      | ) Pin, Clevis, 0.37d X 1.00l               | 2    |
| 13   | 360454   | (000000-      | ) Pulley, Cable, 2.5d 0.50b, .22d Cable    | 1    |
| 14   | 222460   | (000000-      | ) Sleeve, P/M, 0.32b 0.50d 0.5l [430ss]    | 1    |
| 15   | 360413   | (000000-      | ) Angle, Keeper, Cable                     | 1    |
| 16   | 361097   | (000000-      | ) Cable, Glv .13d 031.0l .4clevis /.55eye  | 1    |
| 17   | 361114   | (000000-      | ) Spacer                                   | 1    |
| 18   | 06955    | (000000-      | ) Screw, Hex, M8 X 1.25 X 35, 8.8          | 1    |
| 19   | 32491    | (000000-      | ) Washer, Flat, 0.31, Std                  | 2    |
| 20   | 1037354  | (000000-      | ) Screw, Hex, M8 X 1.25 X 30, 9.8, Sems    | 1    |
| 21   | 39005    | (000000-      | ) Pin, Cotter, .094 X 0.75                 | 2    |
| 22   | 32492    | (000000-      | ) Washer, Flat, 0.38, Std                  | 2    |
| 23   | 360821   | (000000-      | ) Screw, Flt, Soc, M8 X 1.25 X 16, 10.9    | 1    |

**Fig. 18 - Brush Drive Group, Main**



356007- E, NA

| Ref. | Part No. | Serial Number | Description                             | Qty. |
|------|----------|---------------|---|------|
| 1    | 1048800  | (000000- )    | Tube Wldt, Torque                       | 1    |
| 2    | 25887    | (000000- )    | Bearing, W/ Collar, 0.75b 1.85d 1.06w   | 2    |
| 3    | 35973    | (000000- )    | Flange, Brg, 1.9id 2h                   | 4    |
| 4    | 1048744  | (000000- )    | Bracket, Angle, Mtg, Brg                | 2    |
| 5    | 09740    | (000000- )    | Screw, Hex, M8 X 1.25 X 20, Ss          | 10   |
| 6    | 1054045  | (000000- )    | Arm Wldt, Brush, Main, Idler            | 1    |
| 7    | 55779    | (000000- )    | Plug Wldt, Idler, Brush                 | 1    |
| 8    | 24899    | (000000- )    | Bearing, Ball, 1.38b 2.83d 0.67w        | 1    |
| 9    | 30252    | (000000- )    | Disc, 0.08, 04.39d 02.56b, 4/.28h 3.8bc | 1    |

Fig. 18 - Brush Drive Group, Main

| Ref. | Part No. | Serial Number   | Description                                 | Qty. |
|------|----------|-----------------|---|------|
| 10   | 30253    | (000000-        | ) Disc, 0.06, 04.39d 01.67b, 4/.30h 3.8bc   | 1    |
| 11   | 1036892  | (000000-        | ) Screw, Hex, M6 X 1.00 X 25, 9.8 Sems      | 4    |
| 12   | 30251    | (000000-        | ) Shaft, Idler, Plug, Brush                 | 1    |
| 13   | 361555   | (000000-        | ) Screw, Flt, M12 X 1.75 X 80, 10.9         | 1    |
| 14   | 51564    | (000000-        | ) Washer, Flat, 0.53b 1.75d .12, Stl, Pl    | 1    |
| 15   | 30255    | (000000-        | ) Cap, Vinyl, 3.28d 0.45l                   | 1    |
| 16   | 360110   | (000000-        | ) Stud, Spcl                                | 1    |
| 17   | 52508    | (000000-        | ) Washer, Wavy, 0.53b 0.81d .09             | 2    |
| 18   | 360109   | (000000-        | ) Bar, Hex, Stl 0.75, 01.6l .50h Thru       | 1    |
| 19   | 11631    | (000000-        | ) Pin, Roll, .250d X 3.50l, .250/.256       | 1    |
| 20   | 360492   | (000000-        | ) Cap, Vinyl, 0.23id, 1.50l                 | 2    |
| 21   | 360108   | (000000-        | ) Arm Wldt, Brush, Main, Drive, Lh          | 1    |
| 22   | 360104   | (000000-        | ) Housing, Brg, Drive, Brush, 2.5d 2.0b 5.0 | 1    |
| 23   | 360347   | (000000-        | ) Screw, Flt, Soc, M10 X 1.50 X 25, Ss      | 4    |
| 24   | 360113   | (000000-        | ) Shaft                                     | 1    |
| 25   | 13534    | (000000-        | ) Bearing, Ball, 0.98b 2.05d 0.59w          | 4    |
| 26   | 360320   | (000000- 001248 | ) Belt, V, 31.5l [3v]                       | 1    |
| 26   | 1059569  | (001249-        | ) Belt, V, 31.5l [3v]                       | 1    |
| 27   | 00928    | (000000-        | ) Key, Sq, 0.25 X 0.25, 1.00l               | 1    |
| 28   | 87631    | (000000-        | ) Plug Wldt, Drive, Brush                   | 1    |
| 29   | 39527    | (000000-        | ) Nut, Hex, Sltd, .75- 16                   | 1    |
| 30   | 360116   | (000000-        | ) Shaft, Pivot, Arm, Brush Drive            | 1    |
| 31   | 1055674  | (000000-        | ) Sheave, 02grv, 05.6/2.9pd 2.0b [3v]       | 1    |
| 32   | 12273    | (000000-        | ) Screw, Hex, M8 X 1.25 X 20, NI, Ss        | 1    |
| 33   | 13766    | (000000-        | ) Ring, Retaining, Ext, 0.98d, Basic        | 1    |
| 34   | 1049293  | (000000-        | ) Arm, Idler                                | 3    |
| 35   | 06419    | (000000-        | ) Screw, Hex, M10 X 1.50 X 70, Fl, Ss       | 1    |
| 36   | 07787    | (000000-        | ) Nut, Hex, Std, M10 X 1.50, Ss             | 1    |
| 37   | 360491   | (000000-        | ) Bushing, Sleeve, 0.63b 0.72d 0.25l        | 1    |
| 38   | 04186    | (000000-        | ) Sheave, Flat, 3.0d 0.75w 0.67brg          | 1    |
| 39   | 360115   | (000000-        | ) Sheave, 01grv, 04.7pd 0.97b [3v]          | 1    |
| 40   | 11398    | (000000-        | ) Pin, Roll, .250d X 2.00l, .250/.256       | 1    |
| 41   | 08175    | (000000-        | ) Pin, Cotter, .125 X 1.25                  | 4    |
| 42   | 08711    | (000000-        | ) Nut, Hex, Lock, M12 X 1.75, NI            | 1    |
| 43   | 08709    | (000000-        | ) Nut, Hex, Lock, M8 X 1.25, NI             | 10   |
| 44   | 32987    | (000000-        | ) Nut, Hex, Lock, .75- 10, NI               | 2    |
| 45   | 41430    | (000000-        | ) Nut, Hex, Lock, M10 X 1.5, NI             | 4    |
| 46   | 06977    | (000000-        | ) Screw, Hex, M16 X 2.00 X 20, 8.8          | 1    |
| 47   | 32491    | (000000-        | ) Washer, Flat, 0.31, Std                   | 4    |
| 48   | 27988    | (000000-        | ) Screw, Hex, .38- 16 X 1.50, G5            | 1    |
| 49   | 32485    | (000000-        | ) Washer, Flat, 0.38, Sae                   | 1    |
| 50   | 36643    | (000000-        | ) Nut, Hex, Lock, .38- 16, NI, Thin         | 1    |
| 51   | 39350    | (000000-        | ) Washer, Flat, 0.75, Sae                   | 1    |

Fig. 19 - Brush Drive Motor Group, Main

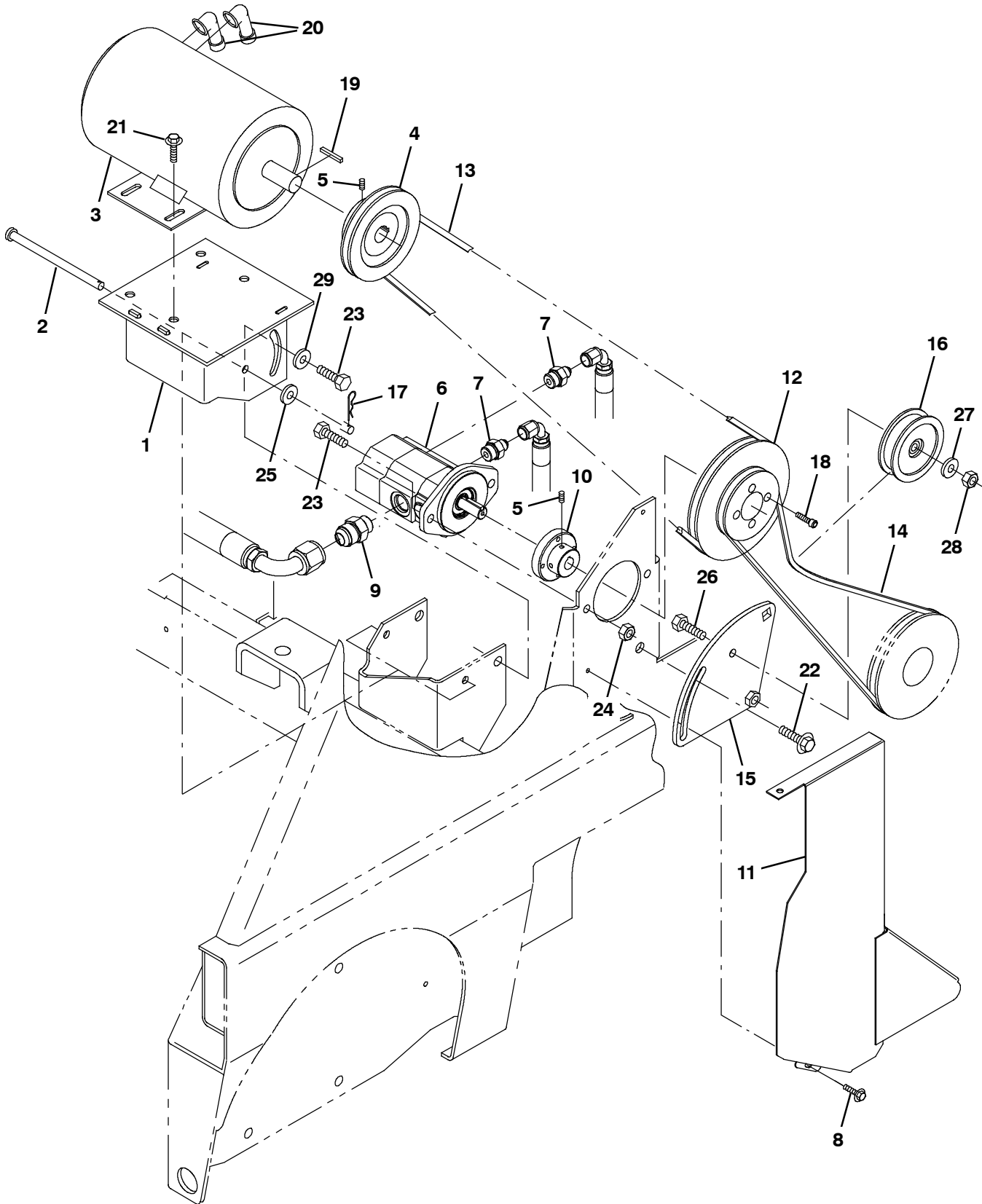


Fig. 19 - Brush Drive Motor Group, Main

| Ref. | Part No. | Serial Number | Description   | Qty.                                       |   |
|------|----------|---------------|---|--|---|
| 1    | 1049336  | (000000-      | ) Bracket Wldt, Mtg, Motor                                | 1  |   |
| 2    | 49924    | (000000-      | ) Pin, Clevis, 0.37d X 6.12l                              | 1  |   |
| 3    | 360175   | (000000-      | ) Motor, Ele, 36vdc 2300rpm 4.00hp (See Breakdowns)       | 1  |   |
| 4    | 361191   | (000000-      | ) Sheave, Step [3V/7M.877]                                | 1  |   |
| 5    | 57496    | (000000-      | ) Screw, Set, .25- 20 X 0.31, NI                          | 4  |   |
| ▽    | 6        | 1054588       | (000000- 004402 ) Pump, Hyd, Gear, Ext, 2, 00.45 3000, Cw | 1  |   |
| ▲    |          | 373730        | (000000- 004402 ) Seal Kit, Pump, Hyd                     | 1  |   |
|      | 6        | 1071255       | (004403-  | ) Pump, Hyd, Gear, Ext, 2, 7.0cc 4.5cc     | 1 |
|      | 7        | 52402         | (000000- 002999 ) Fitting, Hyd, Str, Jm06/Om08            | 2  |   |
|      | 7        | 762438        | (003000-  | ) Fitting, Hyd, Str, Fm06/Om08             | 2 |
|      | 8        | 74455         | (000000-  | ) Screw, Hex, M6 X 1.00 X 12, Fmg          | 3 |
|      | 9        | 06750         | (000000- 002999 ) Fitting, Hyd, Str, Jm12/Om10            | 1  |   |
|      | 9        | 1071945       | (003000-  | ) Fitting, Hyd, Str, Fm12/Om10             | 1 |
|      | 10       | 360180        | (000000- 004402 ) Hub, Guide, End, Actuator               | 1  |   |
|      | 10       | 1074197       | (004403-  | ) Hub, Guide, End, Actuator                | 1 |
|      | 11       | 9006984       | (000000-  | ) Guard, Belt, Brush Drive, W/ Label, Na   | 1 |
|      | 11       | 9006983       | (000000-  | ) Guard, Belt, Brush Drive, W/ Label, Jp   | 1 |
|      | 12       | 360179        | (000000-  | ) Sheave, 02grv, 06.5/3.7pd 1.50b [3v]     | 1 |
|      | 13       | 360686        | (000000-  | ) Belt, V, 33.5l [3v]                      | 1 |
|      | 14       | 03670         | (000000-  | ) Belt, V, 54.0l [3vl]                     | 1 |
|      | 15       | 1049302       | (000000-  | ) Plate, Idler, Adjmt                      | 1 |
|      | 16       | 02356         | (000000-  | ) Pulley, Idler W/ Bearing, Plstc          | 1 |
|      | 17       | 08085         | (000000-  | ) Pin, Cotter, Hair, 0.31d .058 Wir        | 1 |
|      | 18       | 01682         | (000000-  | ) Screw, Soc, .25- 20 X 1.00, Al           | 4 |
|      | 19       | 00915         | (000000-  | ) Key, Sq, 0.19 X 0.19, 1.38l              | 1 |
|      | 20       | 02076         | (000000-  | ) Boot, 90deg .50id .57id X .84id 1.0l,Blk | 2 |
|      | 21       | 1037354       | (000000-  | ) Screw, Hex, M8 X 1.25 X 30, 9.8, Sems    | 4 |
|      | 22       | 1037358       | (000000-  | ) Screw, Hex, M10 X 1.50 X 35, 9.8, Sems   | 2 |
|      | 23       | 39283         | (000000-  | ) Screw, Hex, M10 X 1.50 X 25, 8.8         | 6 |
|      | 24       | 41430         | (000000-  | ) Nut, Hex, Lock, M10 X 1.5, NI            | 2 |
|      | 25       | 32492         | (000000-  | ) Washer, Flat, 0.38, Std                  | 1 |
|      | 26       | 27990         | (000000-  | ) Screw, Hex, .38- 16 X 2.00, G5           | 1 |
|      | 27       | 32485         | (000000-  | ) Washer, Flat, 0.38, Sae                  | 1 |
|      | 28       | 50902         | (000000-  | ) Nut, Hex, Lock, .38- 16, NI              | 1 |
|      | 29       | 41187         | (000000-  | ) Washer, Flat, Belleville, .38            | 2 |

Fig. 20 - Brush Lift Group, Side

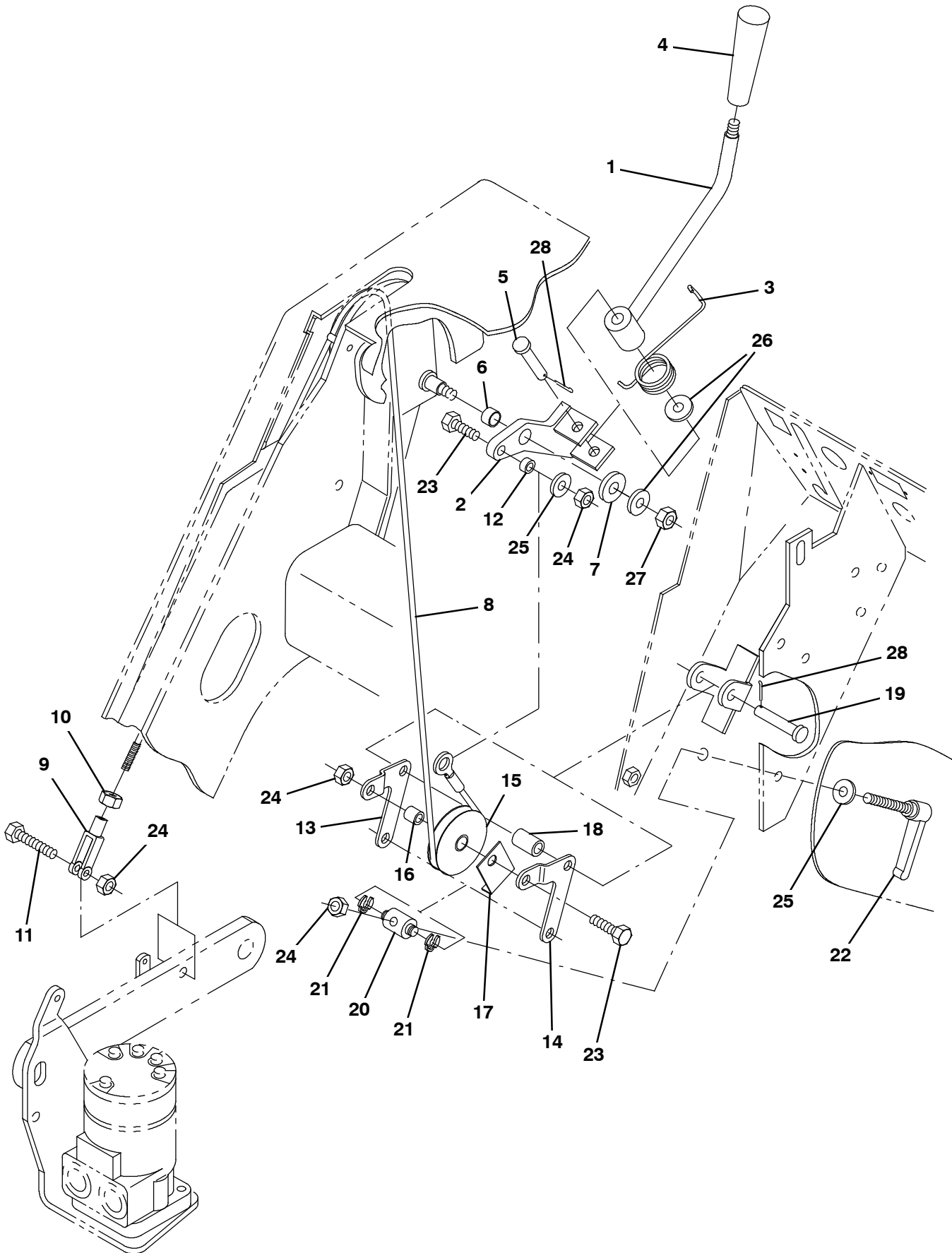


Fig. 20 - Brush Lift Group, Side

| Ref. | Part No. | Serial Number | Description                               | Qty. |
|------|----------|---------------|---|------|
| 1    | 360449   | (000000-      | ) Handle Wldt, Brush, Side                | 1    |
| 2    | 360417   | (000000-      | ) Arm Wldt, Lift, Brush                   | 1    |
| 3    | 360961   | (000000-      | ) Spring, Tors, 1.03id .11wir 03.0coil    | 1    |
| 4    | 54995    | (000000-      | ) Knob, 1.12d 3.86l M10 X 1.5, Plstc Tpr] | 1    |
| 5    | 51813    | (000000-      | ) Pin, Clevis, 0.37d X 2.12l              | 1    |
| 6    | 64173    | (000000-      | ) Bushing, Sleeve, 0.50b 0.59d 0.38l, Stl | 1    |
| 7    | 39346    | (000000-      | ) Washer, Flat, 0.44, Std                 | 1    |
| 8    | 1047878  | (000000-      | ) Cable, Ss .12d 60.25l .55eye / M6- 1.0  | 1    |
| 9    | 1035826  | (000000-      | ) Clevis, Adj, M6 Pin, M6 X 1.0 Rh, PI    | 1    |
| 10   | 41359    | (000000-      | ) Nut, Hex, Std, M6 X 1.00, 8             | 1    |
| 11   | 06957    | (000000-      | ) Screw, Hex, M8 X 1.25 X 60, 8.8         | 1    |
| 12   | 360801   | (000000-      | ) Sleeve, 0.32b 0.50d 0.3l, 2cham, Ss     | 1    |
| 13   | 360410   | (000000-      | ) Bellcrank, Lift, Brush, Side, Rh        | 1    |
| 14   | 360411   | (000000-      | ) Bellcrank, Lift, Brush, Side, Lh        | 1    |
| 15   | 369781   | (000000-      | ) Pulley, Cable, 1.5d Nyl                 | 1    |
| 16   | 222460   | (000000-      | ) Sleeve, P/M, 0.32b 0.50d 0.5l [430ss]   | 1    |
| 17   | 54400    | (000000-      | ) Bracket, Angle, Keeper, Cable           | 1    |
| 18   | 360451   | (000000-      | ) Tube, 0.42id 0.62od 01.0l, Stl, PI      | 1    |
| 19   | 29584    | (000000-      | ) Pin, Clevis, 0.37d X 2.00l              | 1    |
| 20   | 71126    | (000000-      | ) Block, Adj, Pivot                       | 1    |
| 21   | 12364    | (000000-      | ) Ring, Retaining, Ext, 0.38d, [Klipring] | 2    |
| 22   | 360414   | (000000-      | ) Lever, Adj, Metal                       | 1    |
| 23   | 76570    | (000000-      | ) Screw, Hex, M8 X 1.25 X 30, 8.8         | 2    |
| 24   | 08709    | (000000-      | ) Nut, Hex, Lock, M8 X 1.25, NI           | 4    |
| 25   | 32491    | (000000-      | ) Washer, Flat, 0.31, Std                 | 2    |
| 26   | 32492    | (000000-      | ) Washer, Flat, 0.38, Std                 | 2    |
| 27   | 41430    | (000000-      | ) Nut, Hex, Lock, M10 X 1.5, NI           | 1    |
| 28   | 44906    | (000000-      | ) Pin, Cotter, Hair, 0.38d .093 Wir       | 2    |

**Fig. 21 - Brush Motor and Pivot Group, Side**

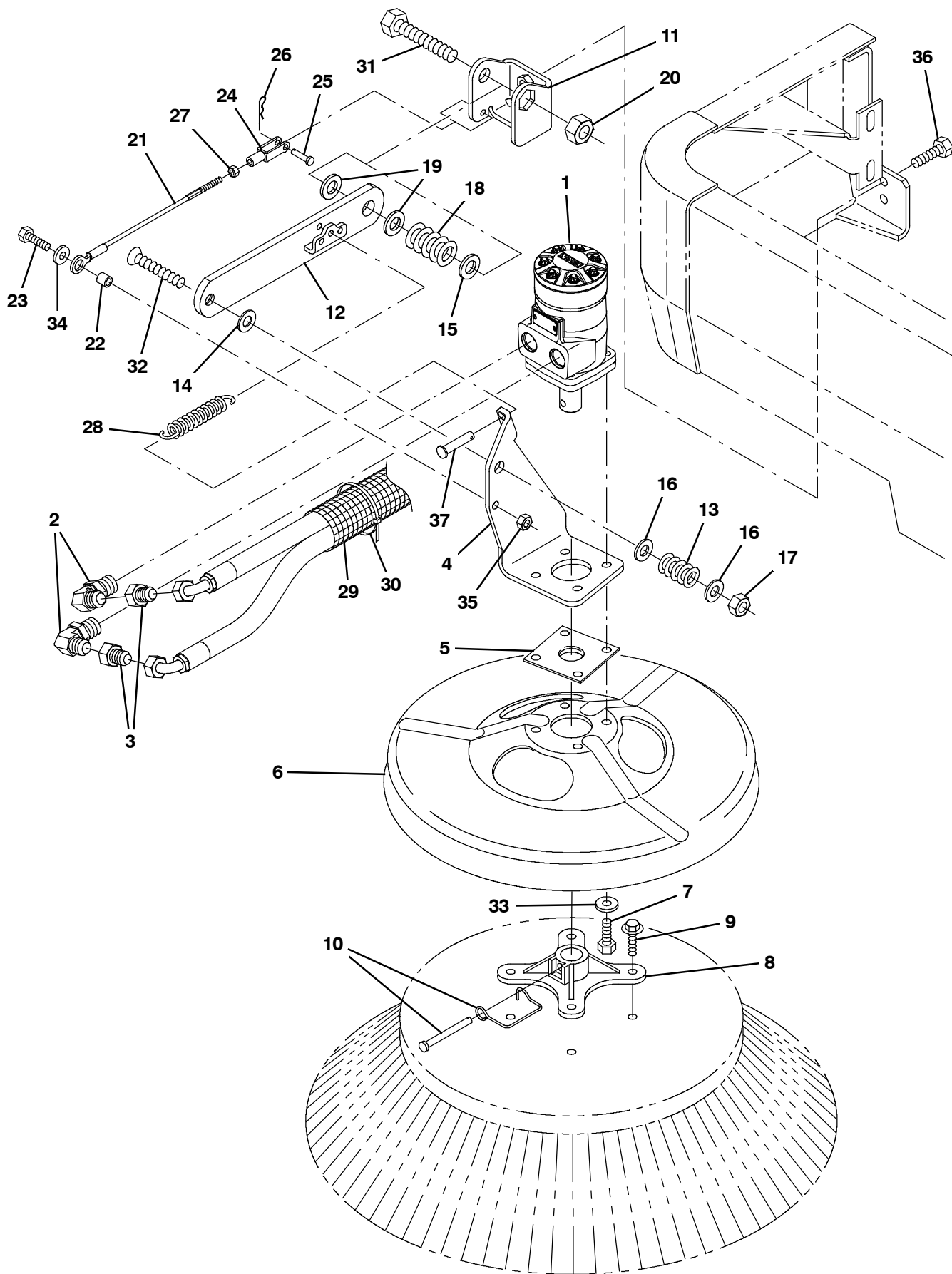


Fig. 21 - Brush Motor and Pivot Group, Side

| Ref. | Part No. | Serial Number     | Description   | Qty.                                    |   |
|------|----------|-------------------|---|---|---|
| 1    | 361026   | (000000- 002395 ) | Motor, Hyd, Gear, Int 08.9 Bi- Dir 1500 (See Break-downs) | 1                                       |   |
| ▽    | 1        | 1068803           | (002396- )  | Motor, Hyd, Gear, Int 08.9 Bi- Dir 1500 | 1 |
| ▲    |          | 22615             | (002396- )  | Seal Kit, Motor [CI]                    | 1 |
| 2    | 56821    | (000000- 002999 ) | Fitting, Hyd, E90, Jm08/Om10                              | 2                                       |   |
| 2    | 767411   | (003000- )        | Fitting, Hyd, E90, Fm08/Om10                              | 2                                       |   |
| 3    | 47753    | (000000- 002999 ) | Fitting, Hyd, Str, Jf08/Jm06                              | 2                                       |   |
| 3    | 762458   | (003000- )        | Fitting, Hyd, Str, Ff08/Fm06                              | 2                                       |   |
| 4    | 1046246  | (000000- )        | Bracket, Mtg, Motor, Rh                                   | 1                                       |   |
| 5    | 16082    | (000000- )        | Guard, String, Motor, Brush                               | 1                                       |   |
| 6    | 1054256  | (000000- )        | Guard, Brush  | 1                                       |   |
| 7    | 46559    | (000000- )        | Screw, Hex, .38- 16 X 1.25, NI                            | 4                                       |   |
| 8    | 47501    | (000000- )        | Hub, Adapter, Brush, 1.00b                                | 1                                       |   |
| 9    | 39396    | (000000- )        | Screw, Hex, .31- 12 X 1.50, Fmg [Ab]                      | 4                                       |   |
| 10   | 84581    | (000000- )        | Pin Assy, Side Brush W/ Clip                              | 1                                       |   |
| 11   | 1037427  | (000000- )        | Bracket, Arm, Side Brush                                  | 1                                       |   |
| 12   | 1037485  | (000000- )        | Arm Wldt, Lift, Rh  | 1                                       |   |
| 13   | 360357   | (000000- )        | Spring, Dsl, 1.00od 0.50id 1.25l                          | 1                                       |   |
| 14   | 59633    | (000000- )        | Washer, Thrust, 0.53b 1.00d 0.03w[Fbrgl]                  | 1                                       |   |
| 15   | 15331    | (000000- )        | Washer, Flat, 0.62, Sae                                   | 1                                       |   |
| 16   | 32486    | (000000- )        | Washer Flat,0.50,Sae                                      | 2                                       |   |
| 17   | 86029    | (000000- )        | Nut, Hex, Flexlock, .50- 13, Thin                         | 1                                       |   |
| 18   | 360081   | (000000- )        | Spring, Dsl, 1.25od 0.62id 1.80l                          | 1                                       |   |
| 19   | 64425    | (000000- )        | Washer, Thrust, 0.61b 1.25d .06, Fgl                      | 2                                       |   |
| 20   | 33342    | (000000- )        | Nut, Hex, Lock, M16 X 2.00, NI                            | 1                                       |   |
| 21   | 1048311  | (000000- )        | Cable, Ss .19d 008.5l .55eye / M6- 1.0                    | 1                                       |   |
| 22   | 360801   | (000000- )        | Sleeve, 0.32b 0.50d 0.3l, 2cham, Ss                       | 1                                       |   |
| 23   | 09010    | (000000- )        | Screw, Hex, M8 X 1.25 X 25, Ss                            | 1                                       |   |
| 24   | 1035826  | (000000- )        | Clevis, Adj, M6 Pin, M6 X 1.0 Rh, PI                      | 1                                       |   |
| 25   | 14605    | (000000- )        | Pin, Clevis, 0.25d X 0.75l                                | 1                                       |   |
| 26   | 08085    | (000000- )        | Pin, Cotter, Hair, 0.31d .058 Wir                         | 1                                       |   |
| 27   | 07785    | (000000- )        | Nut, Hex, Std, M6 X 1.00, Ss                              | 1                                       |   |
| 28   | 29499    | (000000- )        | Spring, Extn, 0.75od 0.11wir 04.5l                        | 1                                       |   |
| 29   | 31646    | (000000- )        | Sleeve, Nyl, 1.63id 25.0l                                 | 1                                       |   |
| 30   | 49266    | (000000- )        | Tie, Cable, Nyl, 07.3l .19w 1.8 Max D                     | 2                                       |   |
| 31   | 06988    | (000000- )        | Screw, Hex, M16 X 2.00 X 90, 8.8                          | 1                                       |   |
| 32   | 27108    | (000000- )        | Screw, Flt, Soc, .50- 13 X 2.50, Al                       | 1                                       |   |
| 33   | 32492    | (000000- )        | Washer, Flat, 0.38, Std                                   | 4                                       |   |
| 34   | 01685    | (000000- )        | Washer, Flat, 0.38b 0.88d .08, Ss                         | 1                                       |   |
| 35   | 08713    | (000000- )        | Nut, Hex, Lock, M8 X 1.25, NI, Ss                         | 1                                       |   |
| 36   | 09028    | (000000- )        | Screw, Hex, M10 X 1.50 X 25, Ss                           | 2                                       |   |
| 37   | 41305    | (000000- )        | Pin, Clevis, 0.37d X 0.75l                                | 1                                       |   |

**Fig. 22 - Vacuum Fan Control Group**

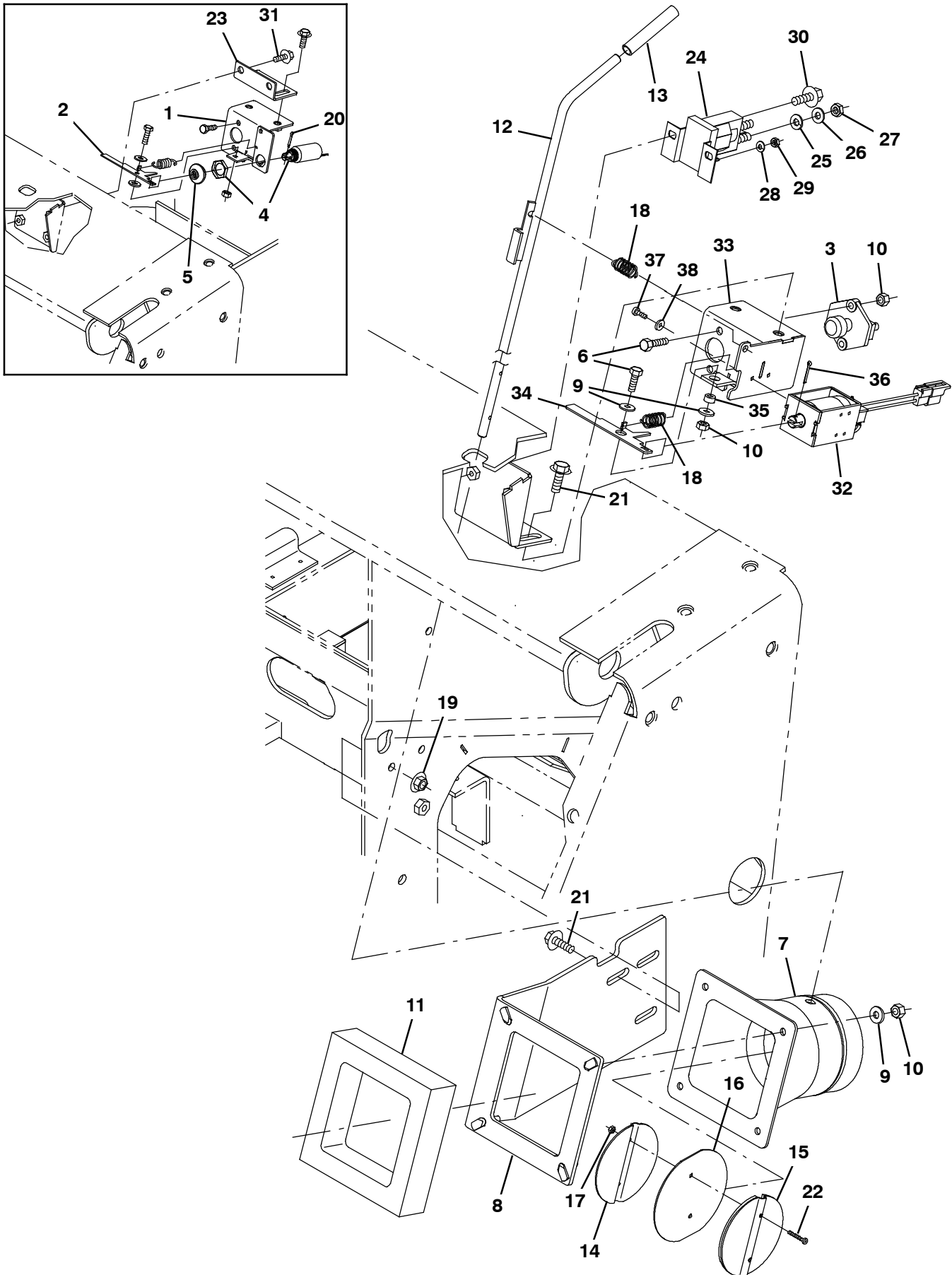


Fig. 22 - Vacuum Fan Control Group

| Ref. | Part No. | Serial Number    | Description                              | Qty. |
|------|----------|------------------|--|------|
| 1    | 1057734  | (000000-001286 ) | Bracket, Switch, Shaker                  | 1    |
| 2    | 375019   | (000000-001286 ) | Lever, Vacfan                            | 1    |
| 3    | 44078    | (000000-         | Switch, Push, Spst, No                   | 1    |
| 4    | 9007391  | (000000-001286 ) | Solenoid Kit, 36vdc, Replmt [Thrmsentry] | 1    |
| 5    | 87707    | (000000-001286 ) | Bellows, Solenoid, .75- 16, 1.5l         | 1    |
| 6    | 06943    | (000000-         | Screw, Hex, M6 X 1.00 X 20, 8.8          | 3    |
| 7    | 1048565  | (000000-         | Tube, Transition, Valve, Ev              | 1    |
| 8    | 1045627  | (000000-         | Bracket, Inlet, Vacfan                   | 1    |
| 9    | 32483    | (000000-         | Washer, Flat, 0.25, Sae                  | 6    |
| 10   | 08708    | (000000-         | Nut, Hex, Lock, M6 X 1.00, NI            | 7    |
| 11   | 1044357  | (000000-         | Seal, Inlet, Vacuum                      | 1    |
| 12   | 1046590  | (000000-         | Rod Wldt, Damper                         | 1    |
| 13   | 360981   | (000000-         | Grip, Vyl                                | 1    |
| 14   | 1052653  | (000000-         | Plate Wldt, Damper                       | 1    |
| 15   | 1052652  | (000000-         | Damper, Inlet                            | 1    |
| 16   | 87983    | (000000-         | Seal, Rbr, Damper, 0.06th, 04.1d         | 1    |
| 17   | 75939    | (000000-         | Nut, Hex, Lock, #06- 32, NI              | 2    |
| 18   | 09087    | (000000-         | Spring, Extn, 0.96od 0.05wir 01.4l       | 2    |
| 19   | 07791    | (000000-         | Nut, Hex, Flng, M8 X 1.25                | 2    |
| 20   | 08346    | (000000-001286 ) | Pin, Cotter, .125 X 0.75                 | 1    |
| 21   | 1037354  | (000000-         | Screw, Hex, M8 X 1.25 X 30, 9.8, Sems    | 7    |
| 22   | 25005    | (000000-         | Screw, Pan, Phl, 06- 32 X 1.00, G1       | 2    |
| 23   | 1057735  | (000000-001291 ) | Bracket, Switch, Shaker                  | 1    |
| 24   | 386810   | (000000-         | Contacto, 36Vdc, 100A, Sp, No            | 1    |
| 25   | 32984    | (000000-         | Washer, Lock, Int, 0.31                  | 2    |
| 26   | 32490    | (000000-         | Washer, Flat, 0.25, Std                  | 2    |
| 27   | 20170    | (000000-         | Nut, Hex, Jam, .31- 24                   | 2    |
| 28   | 07514    | (000000-         | Washer, Lock, Int, 10, Ss                | 2    |
| 29   | 01713    | (000000-         | Nut, Hex, Std, 10- 32, 2                 | 2    |
| 30   | 1036892  | (000000-         | Screw, Hex, M6 X 1.00 X 25, 9.8, Sems    | 2    |
| 31   | 1037354  | (000000-001291 ) | Screw, Hex, M8 X 1.25 X 30, 9.8, Sems    | 2    |
| 32   | 1060444  | (001287-         | Solenoid Assy, Pull, 36vdc               | 1    |
| 33   | 1060334  | (001287-         | Bracket Wldt, Switch, Shakr              | 1    |
| 34   | 1060331  | (001287-         | Lever, Vacfan                            | 1    |
| 35   | 140147   | (001287-         | Sleeve, P/M, 0.25b 0.44d 0.2l, PI        | 1    |
| 36   | 08179    | (001287-         | Pin, Cotter, .094 X 1.00                 | 1    |
| 37   | 32515    | (001287-         | Screw, Pan, Phl, 08- 32 X 0.38, G1       | 2    |
| 38   | 19065    | (001287-         | Washer, Flat, 08                         | 2    |

**Fig. 23 - Vacuum Fan Group**

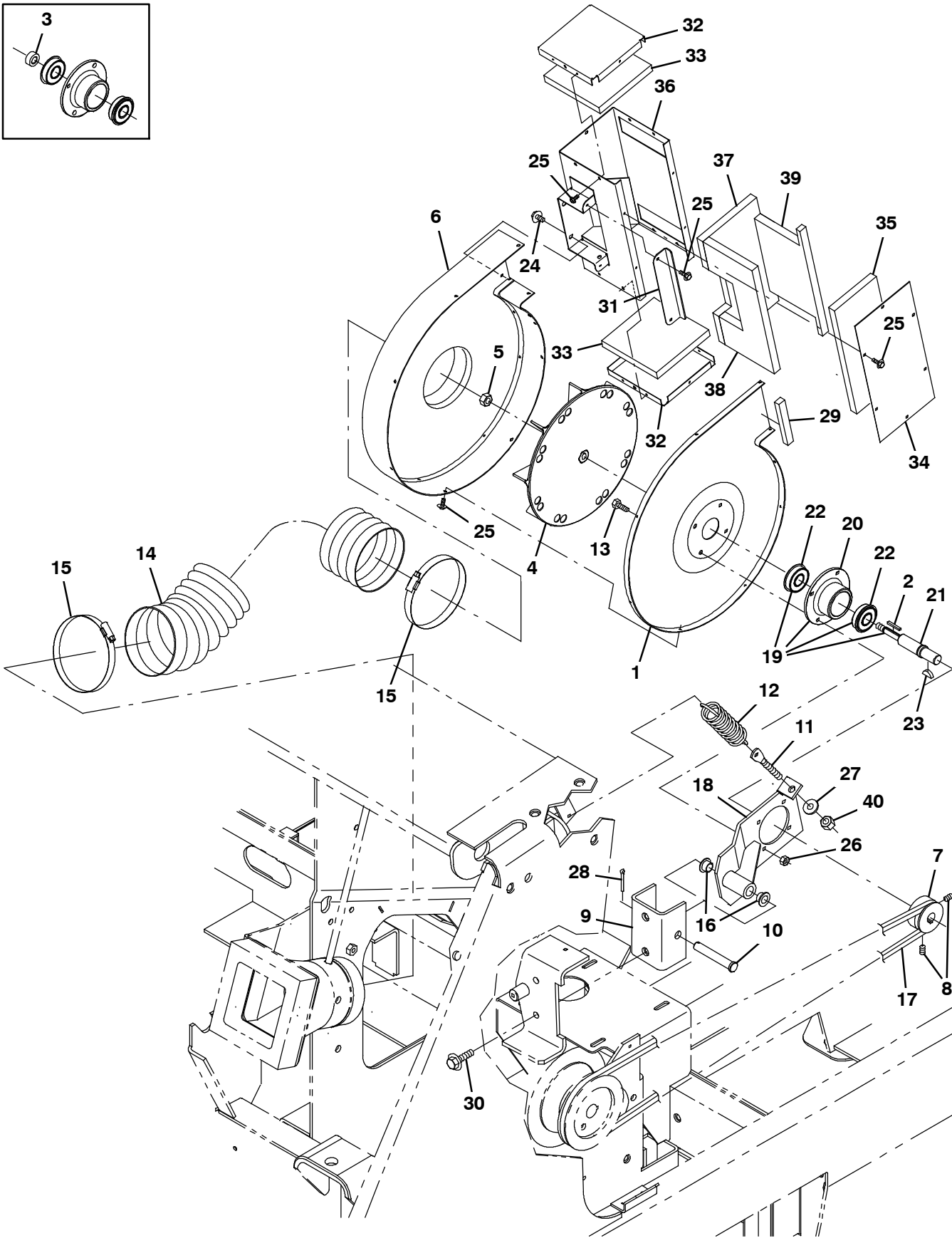
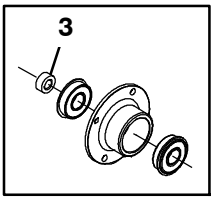


Fig. 23 - Vacuum Fan Group

| Ref. | Part No. | Serial Number   | Description                                 | Qty.                                       |    |
|------|----------|-----------------|---|--|----|
| 1    | 1052763  | (000000-        | ) Housing, Fan, Rear, Impeller              | 1  |    |
| 2    | 00954    | (000000-        | ) Key, Sq, 0.12 X 0.12, 1.00l               | 1  |    |
| 3    | 10362    | (000000- 001456 | ) Tube, 0.38id 0.81od 00.4l, Stl            | 1  |    |
| 4    | 74454    | (000000-        | ) Impeller, 9.00d X 1.40w X 0.376b          | 1  |    |
| 5    | 87299    | (000000- 001456 | ) Nut, Hex, Flexlock, .31- 24, Thin         | 1  |    |
| 5    | 71244    | (001457-        | ) Nut, Hex, Flexlock, .38- 24               | 1  |    |
| 6    | 1052644  | (000000-        | ) Housing Wldt, Fan                         | 1  |    |
| 7    | 360406   | (000000-        | ) Sheave, 01grv, 01.9pd 0.62b [07m]         | 1  |    |
| 8    | 39332    | (000000-        | ) Screw, Set, Soc, .25- 20 X 0.75, Al       | 2  |    |
| 9    | 1052646  | (000000-        | ) Channel, .19, 2.8w 2.0 04.0l, 2/ M10      | 1  |    |
| 10   | 23683    | (000000-        | ) Pin, Clevis, 0.50d X 3.00l                | 1  |    |
| 11   | 11843    | (000000-        | ) Bolt, Eye, .38- 16 X 3.22, 0.28 Eye       | 1  |    |
| 12   | 33372    | (000000-        | ) Spring, Extn, 1.25od 0.15wir 06.0l        | 1  |    |
| 13   | 06943    | (000000-        | ) Screw, Hex, M6 X 1.00 X 20, 8.8           | 4  |    |
| 14   | 1047637  | (000000-        | ) Hose, Flex, Vacuum, 04.0d, 021.0l         | 1  |    |
| 15   | 23498    | (000000-        | ) Clamp, Hose, Wormdrive, 3.56- 4.50d, .50w | 2  |    |
| 16   | 360917   | (000000-        | ) Bushing, Flng, 0.50b 0.59d 0.38l          | 2  |    |
| 17   | 360753   | (000000-        | ) Belt, V, 32.2l [07m]                      | 1  |    |
| 18   | 1052647  | (000000-        | ) Bracket Wldt, Mtg, Fan                    | 1  |    |
| ▽    | 19       | 387387          | (000000-                                    | ) Shaft Assy, Brg                          | 1  |
| ▲    | 20       | 41561           | (000000-                                    | ) Housing, Flng, Brg                       | 1  |
| ▲    | 21       | 387376          | (000000-                                    | ) Shaft, Impeller                          | 1  |
| ▲    | 22       | 32525           | (000000-                                    | ) Bearing, Ball, 0.67b 1.57d 0.47w         | 2  |
|      | 23       | 00500- 10       | (000000-                                    | ) Key, Woodruff, 0.19 0.75 [Asa0606]       | 1  |
|      | 24       | 74455           | (000000-                                    | ) Screw, Hex, M6 X 1.00 X 12, Fmg          | 2  |
|      | 25       | 87838           | (000000-                                    | ) Screw, Hex, 06- 20 X 0.50, Fmg/Ab, Pl    | 27 |
|      | 26       | 08708           | (000000-                                    | ) Nut, Hex, Lock, M6 X 1.00, NI            | 4  |
|      | 27       | 32492           | (000000-                                    | ) Washer, Flat, 0.38, Std                  | 1  |
|      | 28       | 08175           | (000000-                                    | ) Pin, Cotter, .125 X 1.25                 | 1  |
|      | 29       | 361327          | (000000-                                    | ) Seal, Ure, 0.50, 0.75w 04.0l Adh         | 1  |
|      | 30       | 1037358         | (000000-                                    | ) Screw, Hex, M10 X 1.50 X 35, 9.8, Sems   | 2  |
|      | 31       | 1053393         | (000000-                                    | ) Angle, Mtg, Muffler, Vacfan              | 1  |
|      | 32       | 1052650         | (000000-                                    | ) Panel, Muffler, Fan                      | 2  |
|      | 33       | 361993          | (000000-                                    | ) Insulation, Acstc, 0.5, 04.6 X 04.4      | 2  |
|      | 34       | 1052651         | (000000-                                    | ) Plate, Cover, Muffler                    | 1  |
|      | 35       | 361937          | (000000-                                    | ) Insulation, Acstc, 0.5, 08.6 X 03.6      | 1  |
|      | 36       | 1052649         | (000000-                                    | ) Muffler Wldt, Fan                        | 1  |
|      | 37       | 361995          | (000000-                                    | ) Insulation, Acstc, 0.5, 08.6 X 04.6 Ntch | 1  |
|      | 38       | 361936          | (000000-                                    | ) Insulation, Acstc, 0.5, 08.6 X 04.2 Ntch | 1  |
|      | 39       | 361994          | (000000-                                    | ) Insulation, Acstc, 0.5, 08.7 X 04.2 Ntch | 1  |
|      | 40       | 50902           | (000000-                                    | ) Nut, Hex, Lock, .38- 16, NI              | 1  |

Fig. 24 - Hopper Lift Arms Group

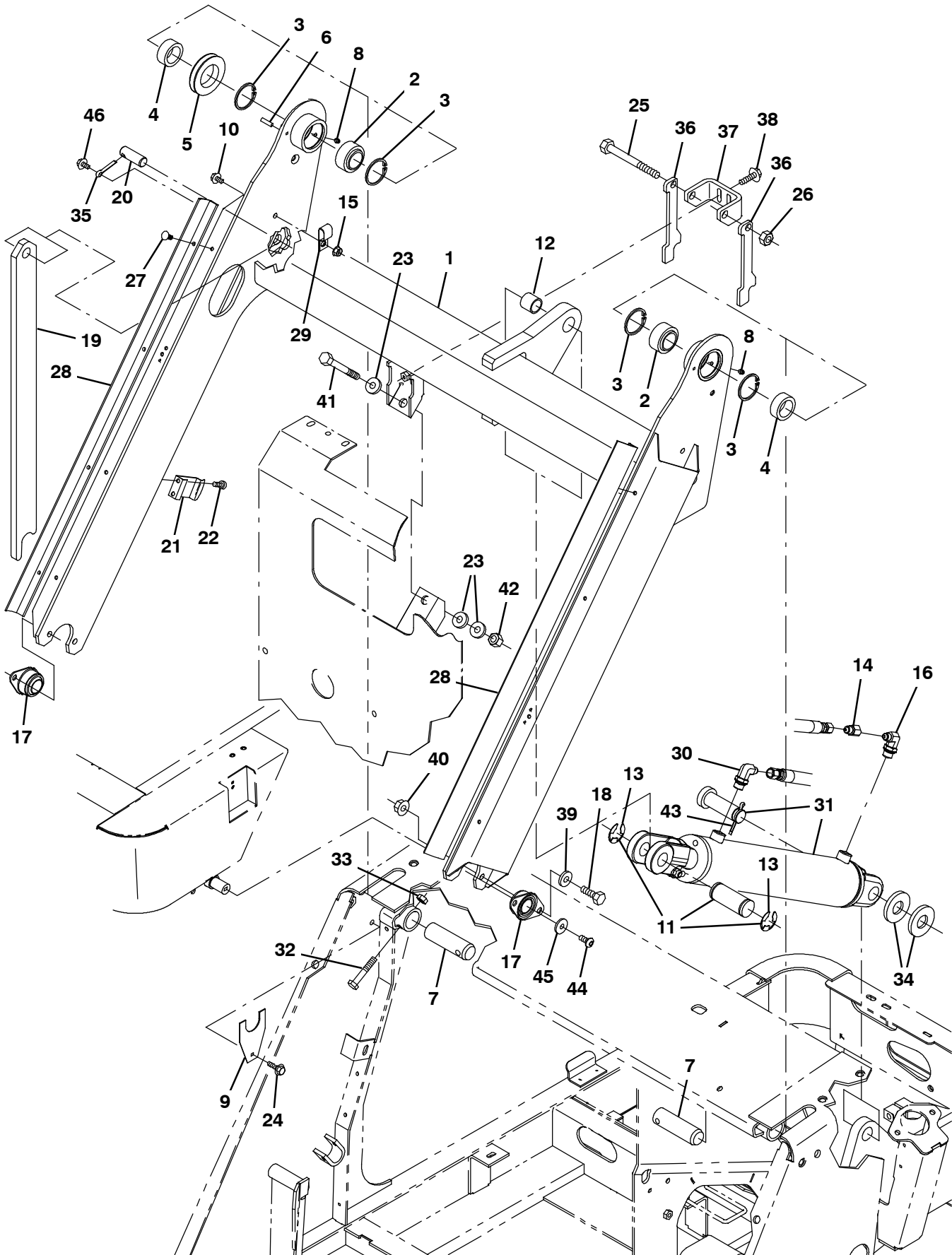


Fig. 24 - Hopper Lift Arms Group

| Ref. | Part No. | Serial Number    | Description                               | Qty.                                       |   |
|------|----------|------------------|---|--|---|
| 1    | 9006900  | (000000-         | ) Arm, Lift, Hppr, W/ Label [S20] Na      | 1  |   |
| 1    | 9006902  | (000000-         | ) Arm, Lift, Hppr, W/ Label [S20] Jp      | 1  |   |
| 2    | 42120- 1 | (000000-         | ) Bearing, Self Align, 1.25b 2.00d        | 2  |   |
| 3    | 59542    | (000000-         | ) Ring, Retaining, Int, 2.00d             | 4  |   |
| 4    | 360455   | (000000-         | ) Sleeve, P/M, 1.25b 1.75d 0.7l [430ss]   | 2  |   |
| 5    | 360077   | (000000-         | ) Pulley, Cable, 3.0d 1.76b, .25d Cable   | 1  |   |
| 6    | 17404    | (000000-         | ) Pin, Roll, .250d X 0.75l, .250/.256     | 1  |   |
| 7    | 360064   | (000000-         | ) Pin, 1.25d 04.0l, 1/.34h, Stl           | 2  |   |
| 8    | 07259    | (000000-         | ) Fitting, Grease, Str Pm04 .47l          | 2  |   |
| 9    | 360768   | (000000-         | ) Plate, Spacer, Lift Arm                 | 8  |   |
| 10   | 1020341  | (000000-         | ) Screw, Hex, M8 X 1.25 X 20, Ss, Sems    | 1  |   |
| ▽    | 11       | 361295           | (000000-                                  | ) Pin Assy, Clevis, Hppr Lift              | 1 |
| ▲    | 12       | 35529            | (000000-                                  | ) Bushing, Sleeve, 1.00b 1.13d 0.99l, Fgl  | 1 |
| ▲    | 13       | 23788            | (000000-                                  | ) Ring, Retaining, Ext, 0.98d, [E- Ring]   | 2 |
| 14   | 16455    | (000000- 002999) | ) Fitting, Hyd, Rst, Jf04/Jm04, .047      | 1  |   |
| 14   | 1067059  | (003000-         | ) Fitting, Hyd, Rst, Fm04/Of04, .047      | 1  |   |
| 15   | 07791    | (000000-         | ) Nut, Hex, Flng, M8 X 1.25               | 1  |   |
| 16   | 47638    | (000000- 002999) | ) Fitting, Hyd, E90, Jm04/Om06            | 1  |   |
| 16   | 762425   | (003000-         | ) Fitting, Hyd, E90, Fm04/Om06            | 1  |   |
| 17   | 87216    | (000000-         | ) Bearing, Flng, 2hole, 1.00b             | 2  |   |
| 18   | 09028    | (000000-         | ) Screw, Hex, M10 X 1.50 X 25, Ss         | 4  |   |
| 19   | 9007372  | (000000-         | ) Arm, Safety, Hppr, W/ Label [S20]       | 1  |   |
| 19   | 9007374  | (000000-         | ) Arm, Safety, Hppr, W/ Label, Tj [S20]   | 1  |   |
| 20   | 360386   | (000000-         | ) Pin, 0.75d 02.0l, 1/.31h, Stl           | 1  |   |
| 21   | 87244    | (000000-         | ) Clip, Spring, Prop Arm                  | 1  |   |
| 22   | 48732    | (000000-         | ) Screw, Pan, Phl, M6 X 1.00 X 10, Ss     | 2  |   |
| 23   | 36328    | (000000-         | ) Washer, Flat, Belleville, .50           | 3  |   |
| 24   | 12459    | (000000-         | ) Screw, Hex, M6 X 1.00 X 20, Fmg         | 2  |   |
| 25   | 12138    | (000000-         | ) Screw, Hex, M12 X 1.75 X 120, 8.8       | 1  |   |
| 26   | 08711    | (000000-         | ) Nut, Hex, Lock, M12 X 1.75, NI          | 1  |   |
| 27   | 21168    | (000000-         | ) Plug, Hole, Rnd, 0.25h 0.8l, Brb, Nyl   | 8  |   |
| 28   | 1053746  | (000000-         | ) Seal, Cover                             | 2  |   |
| 29   | 67366    | (000000-         | ) Clamp, Cable, Stl, 1.0x2.0x0.62w, 1hole | 1  |   |
| 30   | 56820    | (000000- 002999) | ) Fitting, Hyd, E90, Jm06/Om06            | 1  |   |
| 30   | 762432   | (003000-         | ) Fitting, Hyd, E90, Fm06/Om06            | 1  |   |
| ▽    | 31       | 1026362          | (000000-                                  | ) Cylinder, Hyd, 2.5b 24.8l 13.50strk 3000 | 1 |
| ▲    |          | 373731           | (000000-                                  | ) Seal Kit, Cyl, Hyd                       | 1 |
|      | 32       | 06957            | (000000-                                  | ) Screw, Hex, M8 X 1.25 X 60, 8.8          | 2 |
|      | 33       | 08709            | (000000-                                  | ) Nut, Hex, Lock, M8 X 1.25, NI            | 2 |
|      | 34       | 32598            | (000000-                                  | ) Washer, Flat, 1.02b 1.75d .12, Stl       | 2 |
|      | 35       | 08361            | (000000-                                  | ) Pin, Cotter, .250 X 1.25                 | 1 |
|      | 36       | 1052203          | (000000-                                  | ) Plate, Mtg, Pin                          | 2 |
|      | 37       | 1052231          | (000000-                                  | ) Channel, Mtg, Lock                       | 1 |
|      | 38       | 1037355          | (000000-                                  | ) Screw, Hex, M8 X 1.25 X 35, 9.8, Sems    | 2 |
|      | 39       | 32492            | (000000-                                  | ) Washer, Flat, 0.38, Std                  | 4 |
|      | 40       | 07792            | (000000-                                  | ) Nut, Hex, Flng, M10 X 1.50               | 4 |
|      | 41       | 34877            | (000000-                                  | ) Screw, Hex, M10 X 1.50 X 100, 8.8        | 1 |
|      | 42       | 41430            | (000000-                                  | ) Nut, Hex, Lock, M10 X 1.5, NI            | 1 |
|      | 43       | 08298            | (000000-                                  | ) Pin, Cotter, .187 X 1.75                 | 1 |
|      | 44       | 17284            | (001071-                                  | ) Screw, Btn, M8 X 1.25 X 16, Ss           | 2 |
|      | 45       | 30013            | (001071-                                  | ) Washer, Flat, 0.31, Fendr                | 2 |

**Fig. 25 - Hopper Group, Plastic**

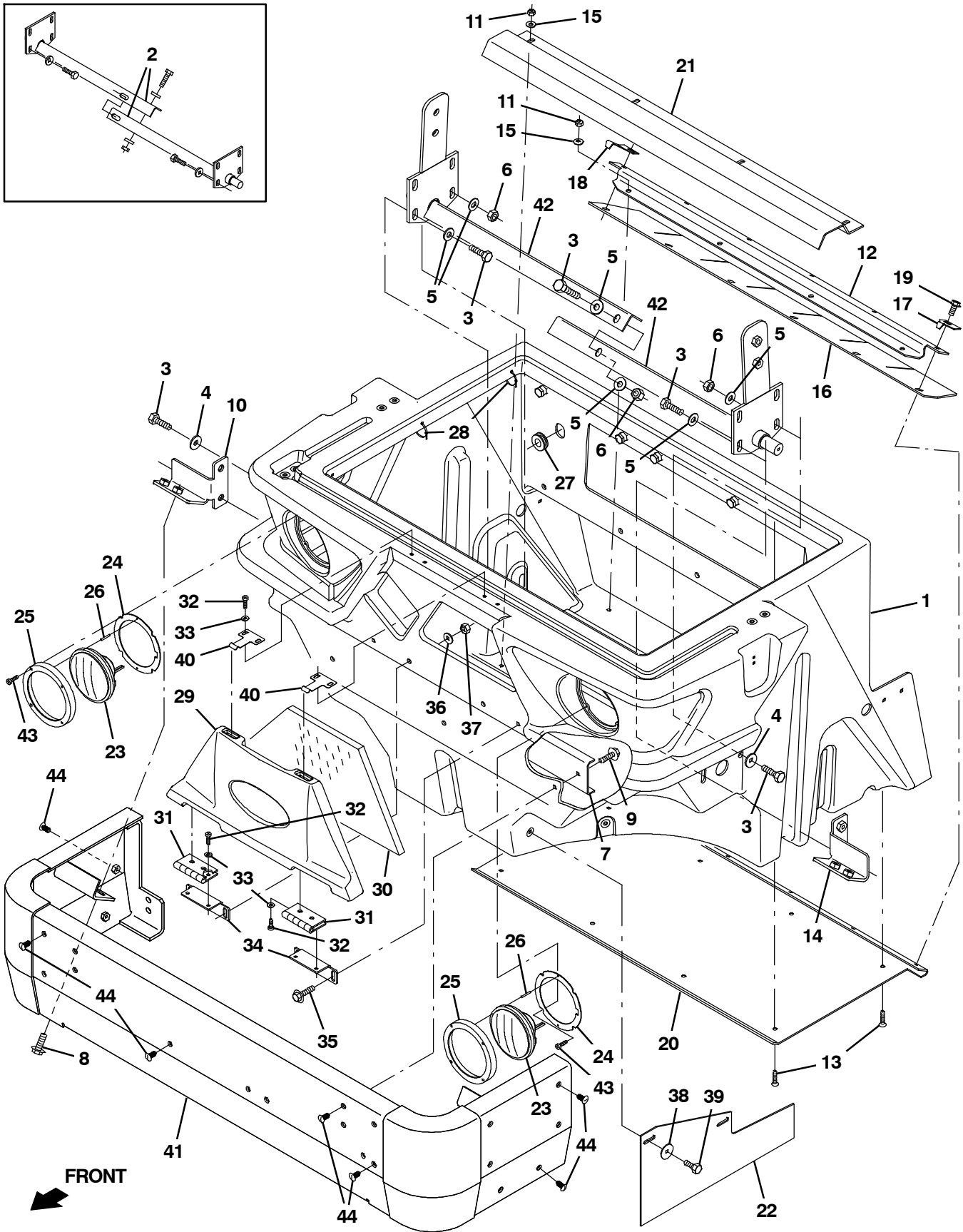


Fig. 25 - Hopper Group, Plastic

| Ref. | Part No.  | Serial Number  | Description                                 | Qty. |
|------|-----------|----------------|---|------|
| 1    | 1043490   | (000000-       | ) Hopper [S20]                              | 1    |
| 2    | 1048990   | (000000-001070 | ) Plate Wldt, Pivot                         | 2    |
| 3    | 12317     | (000000-       | ) Screw, Hex, M10 X 1.50 X 30, Ss           | 10   |
| 4    | 1014563   | (000000-       | ) Washer, Flat, 0.40b 1.12d .12, Ss         | 4    |
| 5    | 32492     | (000000-       | ) Washer, Flat, 0.38, Std                   | 12   |
| 6    | 41430     | (000000-       | ) Nut, Hex, Lock, M10 X 1.5, NI             | 6    |
| 7    | 360602    | (000000-       | ) Plate, Sppt, Bmpr                         | 1    |
| 8    | 1037358   | (000000-       | ) Screw, Hex, M10 X 1.50 X 35, 9.8, Sems    | 4    |
| 9    | 1037355   | (000000-       | ) Screw, Hex, M8 X 1.25 X 35, 9.8, Sems     | 4    |
| 10   | 1049253   | (000000-       | ) Bracket, Mtg, Bmpr, Front, Rh             | 1    |
| 11   | 08708     | (000000-       | ) Nut, Hex, Lock, M6 X 1.00, NI             | 8    |
| 12   | 1052452   | (000000-       | ) Strip, Retainer, Hppr Lip                 | 1    |
| 13   | 06415     | (000000-       | ) Screw, Flt, Soc, M6 X 1.00 X 25, 10.9     | 12   |
| 14   | 1049263   | (000000-       | ) Bracket, Mtg, Bmpr, Front, Lh             | 1    |
| 15   | 32490     | (000000-       | ) Washer, Flat, 0.25, Std                   | 8    |
| 16   | 360327    | (000000-       | ) Skirt, Neo, .12, 05.20w 36.10l, 06/ SI    | 1    |
| 17   | 360893    | (000000-       | ) Deflector, Hppr, Lh                       | 1    |
| 18   | 360894    | (000000-       | ) Deflector, Hppr, Rh                       | 2    |
| 19   | 361339    | (000000-       | ) Screw, Hex, M6 X 1.00 X 16, Fmg           | 6    |
| 20   | 1052454   | (000000-       | ) Plate, Wear                               | 1    |
| 21   | 1048732   | (000000-       | ) Bracket, Angle, Hppr Bottom Stiffener     | 1    |
| 22   | 1047575   | (000000-       | ) Skirt, Neo, .12 2ply, Dust- Cntrl         | 1    |
| 23   | 1048488   | (000000-003580 | ) Headlight , 36v                           | 2    |
| 23   | 1048096   | (000000-003580 | ) Headlight, 36vdc, Led, UL                 | 2    |
| 23   | 1071990   | (003581-       | ) Headlight, 12- 48vdc, 10watt, Rnd Led, UI | 2    |
| 24   | 1048116   | (000000-       | ) Plate, Retainer, Headlight                | 2    |
| 25   | 1049015   | (000000-       | ) Plate, Sppt, Headlight                    | 2    |
| 26   | 46029     | (000000-       | ) Pin, Roll, .094d X 0.87l, .094/.097       | 8    |
| 27   | 10632- 18 | (000000-       | ) Grommet, Rbr, 0.69id, F/1.0h, .25 Matl    | 1    |
| 28   | 49266     | (000000-       | ) Tie, Cable, Nyl, 07.3l .19w 1.8 Max D     | 8    |
| 29   | 1044254   | (000000-       | ) Door, Access, Hppr                        | 1    |
| 30   | 1045365   | (000000-       | ) Seal, Door, Access                        | 1    |
| 31   | 1049102   | (000000-       | ) Hinge, .25pin .12 3.0w 03.0l, 4/0.28sl    | 2    |
| 32   | 09200     | (000000-       | ) Screw, Pan, Phl, M5 X 0.80 X 12, Ss       | 12   |
| 33   | 19066     | (000000-       | ) Washer, Flat, 10                          | 12   |
| 34   | 1044907   | (000000-       | ) Bracket, Mtg, Hinge                       | 2    |
| 35   | 1037354   | (000000-       | ) Screw, Hex, M8 X 1.25 X 30, 9.8, Sems     | 4    |
| 36   | 32491     | (000000-       | ) Washer, Flat, 0.31, Std                   | 4    |
| 37   | 08709     | (000000-       | ) Nut, Hex, Lock, M8 X 1.25, NI             | 4    |
| 38   | 30013     | (000000-       | ) Washer, Flat, 0.31, Fendr                 | 2    |
| 39   | 49826     | (000000-       | ) Screw, Hex, M8 X 1.25 X 16, NI, Ss        | 2    |
| 40   | 1044900   | (000000-       | ) Latch, Door                               | 2    |
| 41   | 1042875   | (000000-       | ) Bumper Wldt, Front                        | 1    |
| 42   | 1076304   | (001071-       | ) Plate Wldt, Pivot                         | 2    |
| 43   | 1053318   | (000000-       | ) Screw, Pan, Phl, 08- 16 X 1.00, F/ Plstc  | 8    |
| 44   | 21168     | (000000-       | ) Plug, Hole, Rnd, 0.25h 0.8l, Brb, Nyl     | 24   |

Fig. 26 - Hopper Cover Group

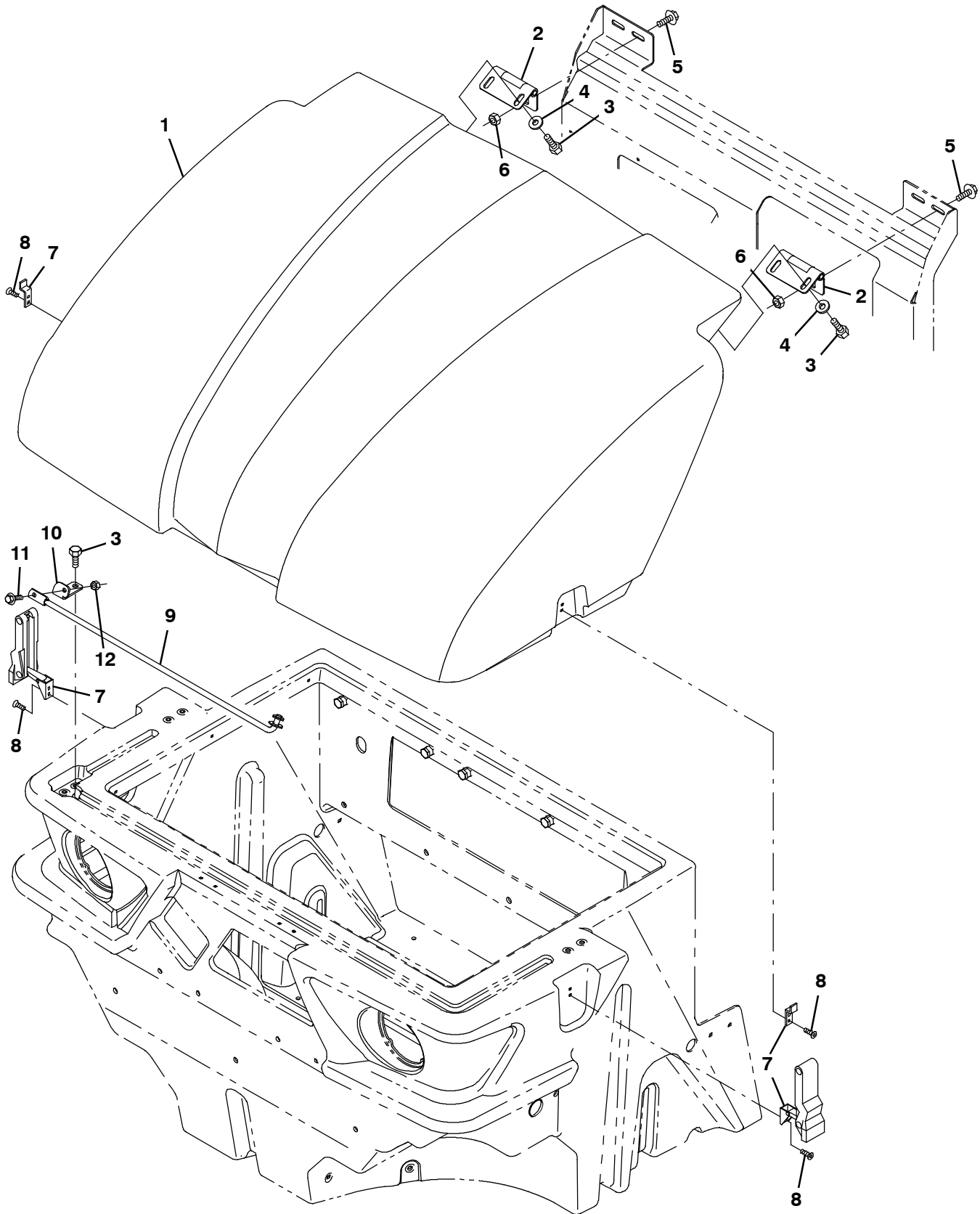


Fig. 26 - Hopper Cover Group

| Ref. | Part No. | Serial Number | Description                             | Qty. |
|------|----------|---------------|---|------|
| 1    | 1043938  | (000000-      | ) Cover, Hppr                           | 1    |
| 2    | 1044214  | (000000-      | ) Hinge, .38pin .12 3.5w 4.0l [Oal]     | 2    |
| 3    | 16735    | (000000-      | ) Screw, Hex, M8 X 1.25 X 16, 8.8       | 6    |
| 4    | 32491    | (000000-      | ) Washer, Flat, 0.31, Std               | 8    |
| 5    | 1037346  | (000000-      | ) Screw, Hex, M8 X 1.25 X 25, 9.8, Sems | 4    |
| 6    | 07791    | (000000-      | ) Nut, Hex, Fling, M8 X 1.25            | 4    |
| 7    | 360824   | (000000-      | ) Latch                                 | 2    |
| 8    | 09200    | (000000-      | ) Screw, Pan, Phl, M5 X 0.80 X 12, Ss   | 8    |
| 9    | 1045434  | (000000-      | ) Rod Wldt, Safety, Hppr Cover          | 1    |
| 10   | 1045423  | (000000-      | ) Bracket, Rod, Safety                  | 1    |
| 11   | 1036892  | (000000-      | ) Screw, Hex, M6 X 1.00 X 25, 9.8, Sems | 1    |
| 12   | 08708    | (000000-      | ) Nut, Hex, Lock, M6 X 1.00, NI         | 1    |

**Fig. 27 - Hopper Support Group (001071- )**

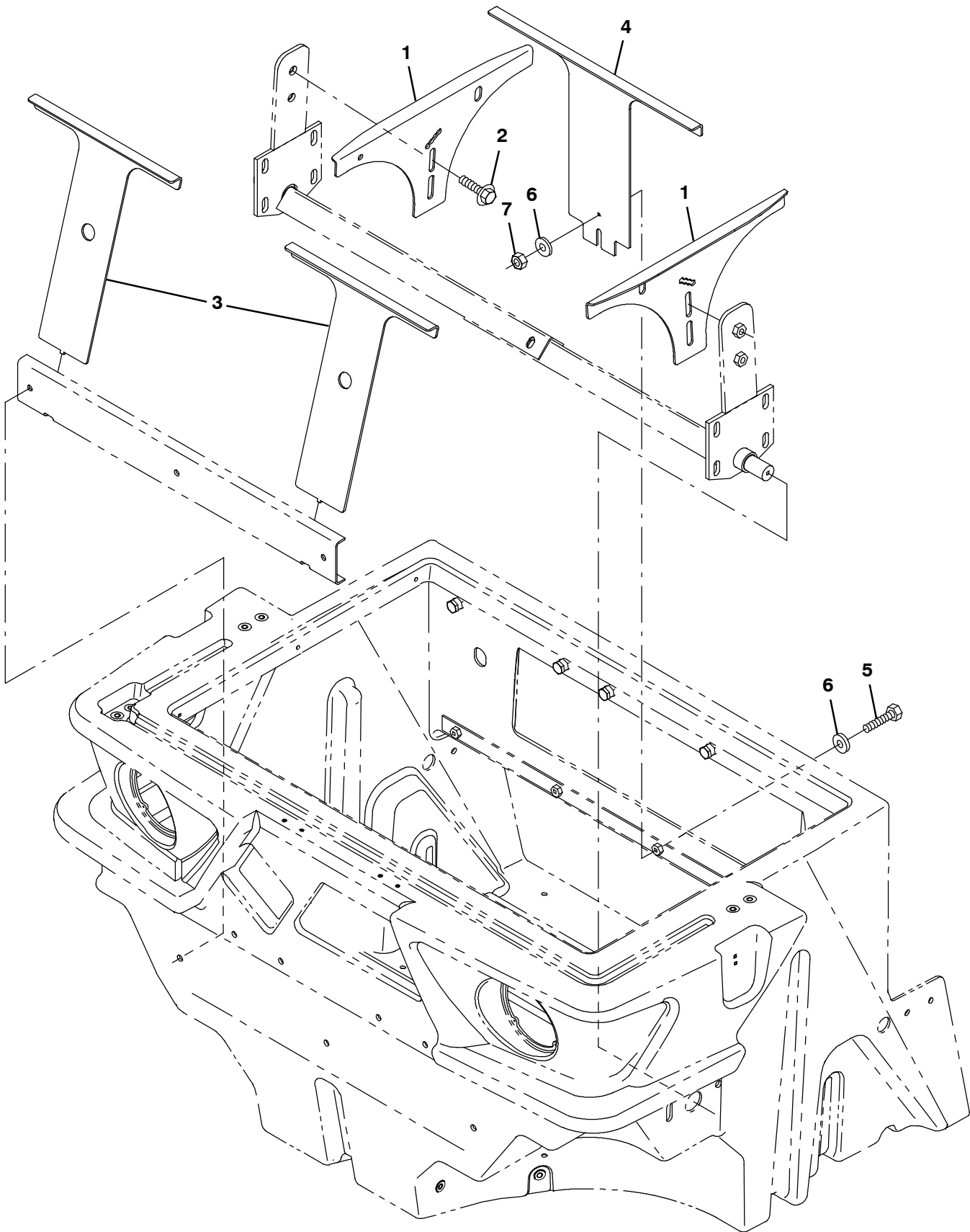


Fig. 27 - Hopper Support Group (001071- )

| Ref. | Part No. | Serial Number | Description                              | Qty. |
|------|----------|---------------|--|------|
| 1    | 1060278  | (001071-      | ) Support, Hppr, Lip, Side               | 2    |
| 2    | 1037358  | (001071-      | ) Screw, Hex, M10 X 1.50 X 35, 9.8, Sems | 4    |
| 3    | 1059119  | (001071-      | ) Support, Hppr, Lip, Front              | 2    |
| 4    | 1059158  | (001071-      | ) Support, Hppr, Lip, Back               | 1    |
| 5    | 04375    | (001071-      | ) Screw, Hex, M8 X 1.25 X 40, 8.8, FI    | 1    |
| 6    | 32491    | (001071-      | ) Washer, Flat, 0.31, Std                | 2    |
| 7    | 08709    | (001071-      | ) Nut, Hex, Lock, M8 X 1.25, NI          | 1    |

**Fig. 28 - Hopper Dump Door Group**

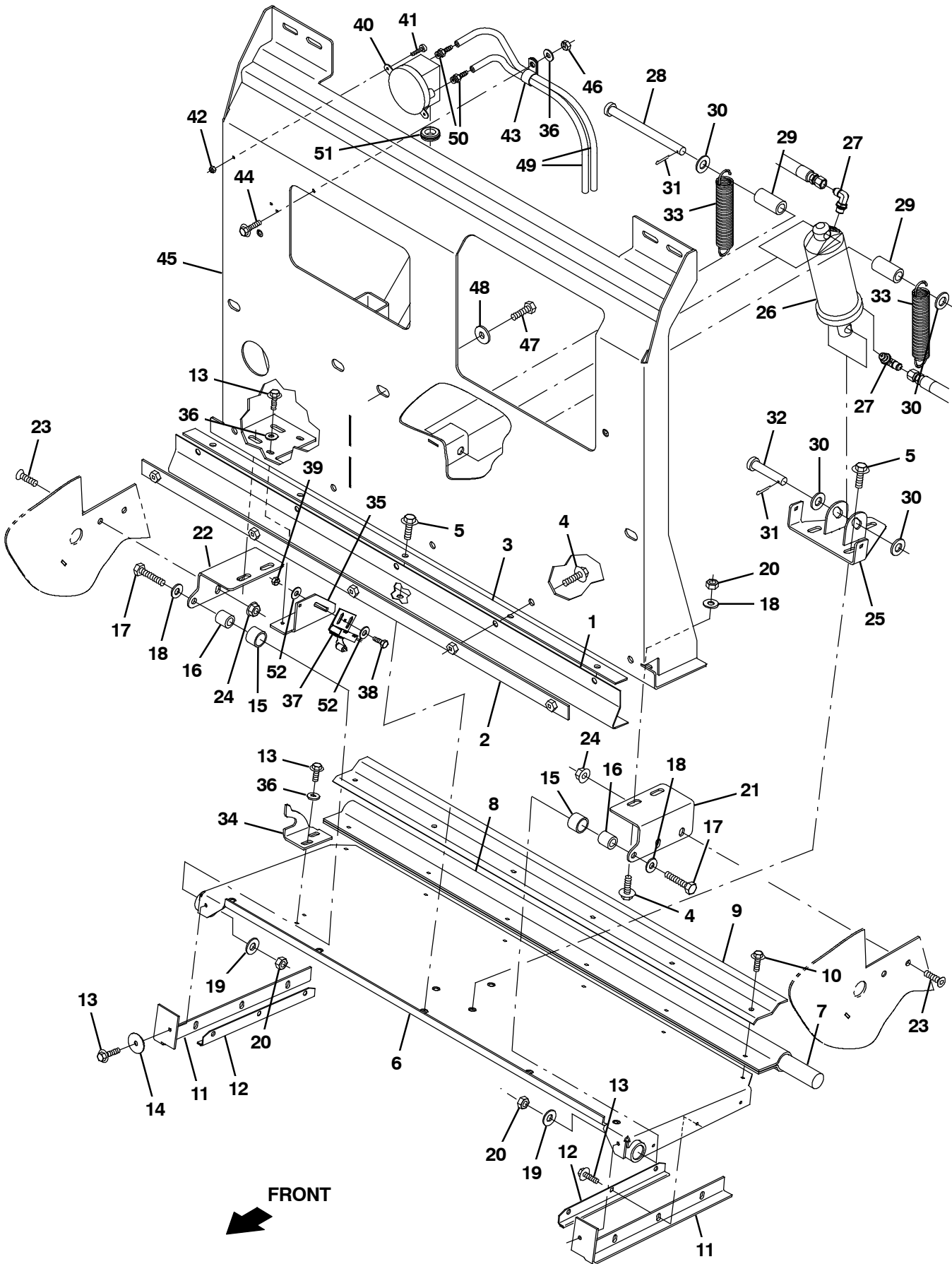


Fig. 28 - Hopper Dump Door Group

| Ref. | Part No. | Serial Number   | Description                                 | Qty. |
|------|----------|-----------------|---|------|
| 1    | 360336   | (000000-        | ) Seal                                      | 1    |
| 2    | 1047280  | (000000-        | ) Strip Wldt, Seal, Door                    | 1    |
| 3    | 1051115  | (000000-        | ) Strip, Retainer                           | 1    |
| 4    | 1037354  | (000000-        | ) Screw, Hex, M8 X 1.25 X 30, 9.8, Sems     | 9    |
| 5    | 1037346  | (000000-        | ) Screw, Hex, M8 X 1.25 X 25, 9.8, Sems     | 8    |
| 6    | 1051045  | (000000-        | ) Door Wldt, Dump, Hppr                     | 1    |
| 7    | 87689    | (000000-        | ) Cord, Sponge, Neo, 1.0d 36.3l             | 1    |
| 8    | 360603   | (000000-        | ) Seal, Rbr, .13 6.34w 36.3l, 12/.28h, Red  | 1    |
| 9    | 1052446  | (000000-        | ) Strip, Retainer, Dump Door                | 1    |
| 10   | 12459    | (000000-        | ) Screw, Hex, M6 X 1.00 X 20, Fmg           | 6    |
| 11   | 1055583  | (000000-        | ) Seal, Rbr, Clsd, 0.13, Door, Dump, Side   | 2    |
| 12   | 360424   | (000000-        | ) Retainer, Seal, Hppr Door, Side           | 2    |
| 13   | 74455    | (000000-        | ) Screw, Hex, M6 X 1.00 X 12, Fmg           | 12   |
| 14   | 41178    | (000000-        | ) Washer, Flat, 0.25, Fendr                 | 2    |
| 15   | 64379    | (000000-        | ) Bushing, Sleeve, 0.75b 0.88d 0.75l, Tef   | 2    |
| 16   | 87104    | (000000-        | ) Tube, 0.38id 0.75od 00.9l, Stl            | 2    |
| 17   | 09026    | (000000-        | ) Screw, Hex, M8 X 1.25 X 40, Ss            | 2    |
| 18   | 32491    | (000000-        | ) Washer, Flat, 0.31, Std                   | 6    |
| 19   | 32492    | (000000-        | ) Washer, Flat, 0.38, Std                   | 2    |
| 20   | 08709    | (000000-        | ) Nut, Hex, Lock, M8 X 1.25, NI             | 6    |
| 21   | 1050243  | (000000-        | ) Bracket, Angle, Pivot, Door, Dump, Lh     | 1    |
| 22   | 1050242  | (000000-        | ) Bracket, Angle, Pivot, Door, Dump, Rh     | 1    |
| 23   | 79246    | (000000-        | ) Screw, Flt, Soc, M8 X 1.25 X 20, 18- 8,Ss | 4    |
| 24   | 07791    | (000000-        | ) Nut, Hex, Fing, M8 X 1.25                 | 4    |
| 25   | 1051049  | (000000-        | ) Bracket, Mtg, Cyl                         | 1    |
| 26   | 1038176  | (000000-        | ) Cylinder, Hyd, 2.0b 08.0l 04.00strk 2500  | 1    |
| 27   | 77097    | (000000- 002999 | ) Fitting, Hyd, E90, Jm04/Om04              | 2    |
| 27   | 762427   | (003000-        | ) Fitting, Hyd, E90, Fm04/Om04              | 2    |
| 28   | 51225- 1 | (000000-        | ) Pin, Clevis, 0.50d X 6.00l                | 1    |
| 29   | 360848   | (000000-        | ) Spacer, 0.56b 0.88d 1.82l, PI             | 2    |
| 30   | 32486    | (000000-        | ) Washer Flat,0.50,Sae                      | 4    |
| 31   | 08182    | (000000-        | ) Pin, Cotter, .125 X 1.00                  | 2    |
| 32   | 11211    | (000000-        | ) Pin, Clevis, 0.50d X 2.25l                | 1    |
| 33   | 360606   | (000000-        | ) Spring, Tens                              | 2    |
| 34   | 1051773  | (000000-        | ) Bracket, Door, Indicator                  | 1    |
| 35   | 1051766  | (000000-        | ) Bracket, Door, Indicator                  | 1    |
| 36   | 32490    | (000000-        | ) Washer, Flat, 0.25, Std                   | 5    |
| 37   | 59965    | (000000-        | ) Switch, Snap, 15a No, Rlr                 | 1    |
| 38   | 09244    | (000000-        | ) Screw, Hex, M5 X 0.80 X 16, 8.8           | 2    |
| 39   | 06549    | (000000-        | ) Nut, Hex, Lock, M5 X 0.80, NI             | 2    |
| 40   | 1051800  | (000000-        | ) Switch, Press                             | 1    |
| 41   | 06927    | (000000-        | ) Screw, Pan, Phl, M4 X 0.70 X 16, 4.8      | 2    |
| 42   | 02850    | (000000-        | ) Nut, Hex, Lock, M4 X 0.70, NI             | 2    |
| 43   | 67767    | (000000-        | ) Clamp, Cable, Stl, 0.69d X 0.62w, 1hole   | 1    |
| 44   | 1036892  | (000000-        | ) Screw, Hex, M6 X 1.00 X 25, 9.8 Sems      | 1    |
| 45   | 1044273  | (000000-        | ) Plate Wldt, Back, Hppr                    | 1    |
| 46   | 08708    | (000000-        | ) Nut, Hex, Lock, M6 X 1.00, NI             | 1    |
| 47   | 15675    | (000000-        | ) Screw, Hex, M8 X 1.25 X 16, Ss            | 5    |
| 48   | 1014563  | (000000-        | ) Washer, Flat, 0.40b 1.12d .12, Ss         | 5    |
| 49   | 379719   | (000000-        | ) Hose, Vacuum, 0.16id X 060.0l             | 1    |
| 50   | 40607    | (000000-        | ) Fitting, Brs, Str, Bm03/Pm02              | 2    |
| 51   | 10632- 4 | (000000-        | ) Grommet, Rbr, 0.62id, F/0.9h, .06 Matl    | 1    |
| 52   | 08793    | (000000-        | ) Washer, Flat, 0.20b 0.50d .06, Alm, Blnd  | 4    |

**Fig. 29 - Hopper Filter Shaker Tray Group**

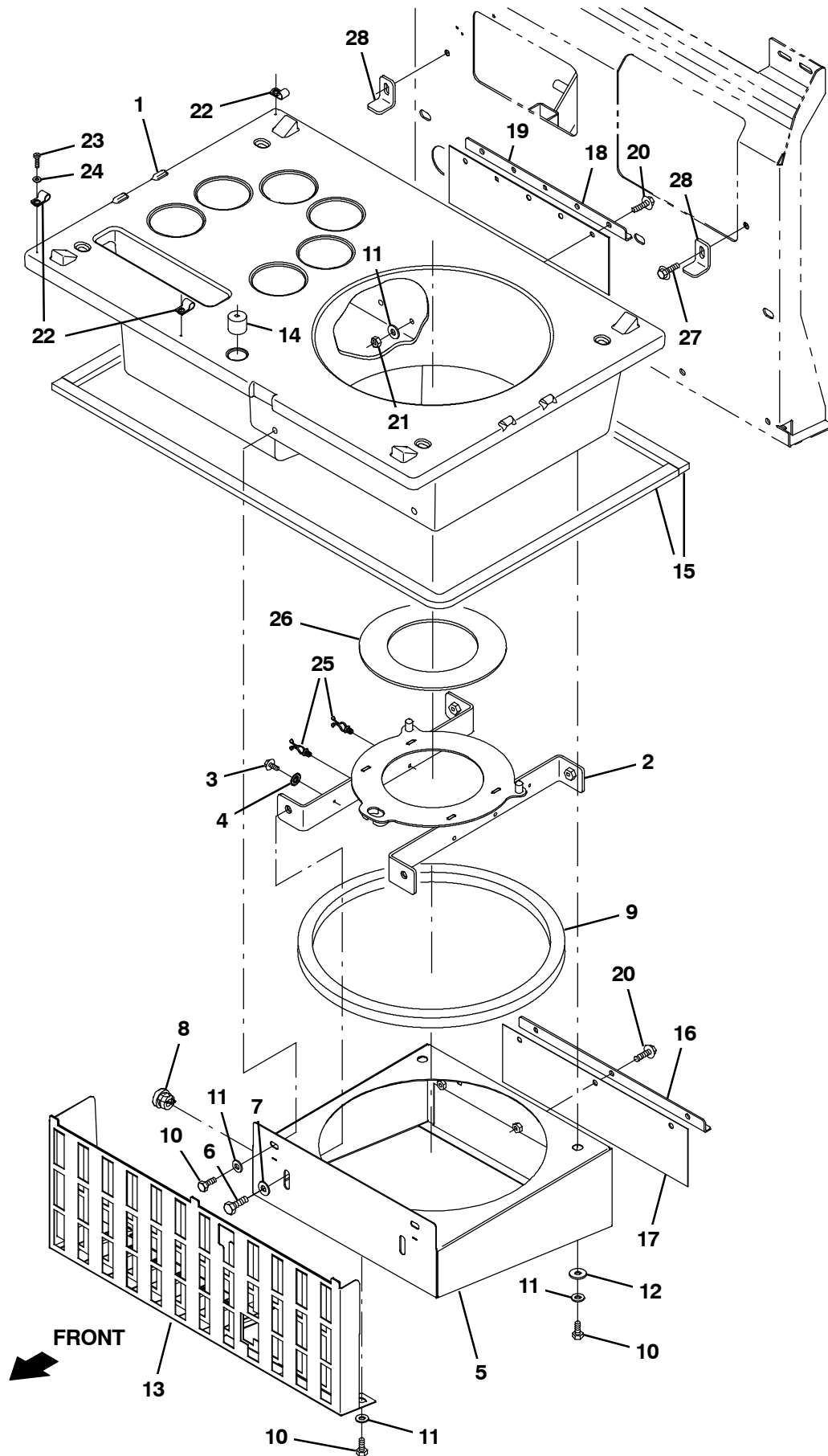


Fig. 29 - Hopper Filter Shaker Tray Group

| Ref. | Part No. | Serial Number | Description                                | Qty. |
|------|----------|---------------|--|------|
| 1    | 1043815  | (000000-      | ) Tray, Mold                               | 1    |
| 2    | 1044285  | (000000-      | ) Tray, Dust, Shagr                        | 1    |
| 3    | 74455    | (000000-      | ) Screw, Hex, M6 X 1.00 X 12, Fmg          | 1    |
| 4    | 41140    | (000000-      | ) Washer, Lock, Int- Ext, 0.25             | 1    |
| 5    | 1043383  | (000000-      | ) Tray Wldt, Dust [Cyclone]                | 1    |
| 6    | 06961    | (000000-      | ) Screw, Hex, M10 X 1.50 X 20, 8.8         | 4    |
| 7    | 32492    | (000000-      | ) Washer, Flat, 0.38, Std                  | 6    |
| 8    | 1051199  | (000000-      | ) Strainrelief                             | 1    |
| 9    | 1057960  | (000000-      | ) Gasket, Tray                             | 1    |
| 10   | 16735    | (000000-      | ) Screw, Hex, M8 X 1.25 X 16, 8.8          | 7    |
| 11   | 32491    | (000000-      | ) Washer, Flat, 0.31, Std                  | 8    |
| 12   | 30013    | (000000-      | ) Washer, Flat, 0.31, Fendr                | 2    |
| 13   | 1039250  | (000000-      | ) Plate Wldt, Perma- Filter                | 1    |
| 14   | 1049982  | (000000-      | ) Seal, Foam                               | 1    |
| 15   | 1050106  | (000000-      | ) Gasket, Tray                             | 2    |
| 16   | 1042282  | (000000-      | ) Retainer, Seal, Dust, .12 X 0.8w X 33.6l | 1    |
| 17   | 1042285  | (000000-      | ) Seal Assy, Pre- Filter                   | 1    |
| 18   | 1049408  | (000000-      | ) Retainer, Seal, Dust, .12 X 0.8w X 33.6l | 1    |
| 19   | 1049409  | (000000-      | ) Seal Assy, Pre- Filter                   | 1    |
| 20   | 1037355  | (000000-      | ) Screw, Hex, M8 X 1.25 X 35, 9.8, Sems    | 8    |
| 21   | 08709    | (000000-      | ) Nut, Hex, Lock, M8 X 1.25, NI            | 5    |
| 22   | 67767    | (000000-      | ) Clamp, Cable, Stl, 0.69d X 0.62w, 1hole  | 3    |
| 23   | 360943   | (000000-      | ) Screw, Pan, Phl, 10- 14 X 0.75, F/ Plstc | 1    |
| 24   | 19066    | (000000-      | ) Washer, Flat, 10                         | 1    |
| 25   | 30406    | (000000-      | ) Clip, Keeper                             | 3    |
| 26   | 1044351  | (000000-      | ) Spacer, Fltr                             | 1    |
| 27   | 1037346  | (000000-      | ) Screw, Hex, M8 X 1.25 X 25, 9.8, Sems    | 2    |
| 28   | 1052919  | (000000-      | ) Bracket, Tray                            | 2    |

**Fig. 30 - Hopper Filter Shaker Cover Group**

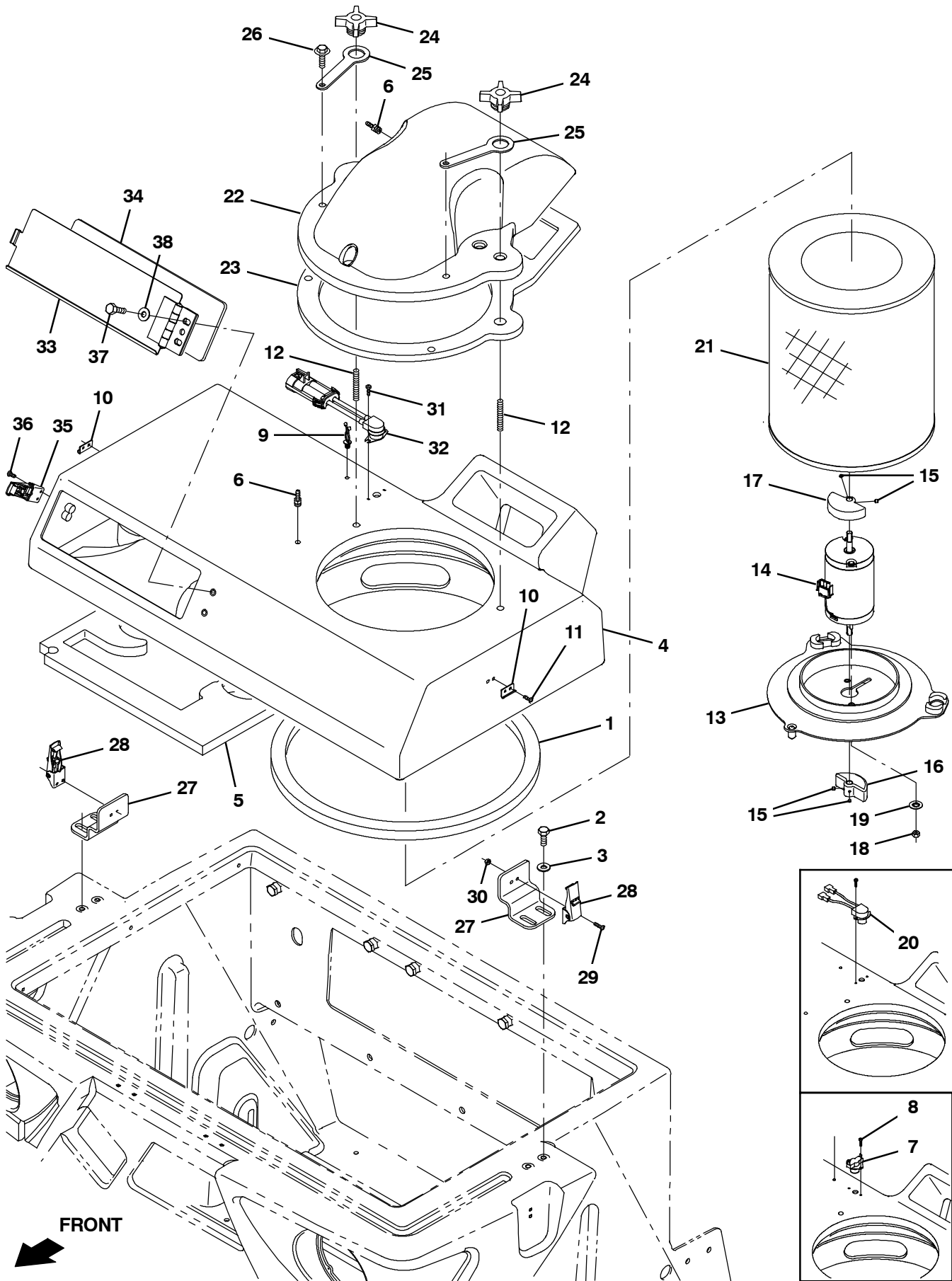
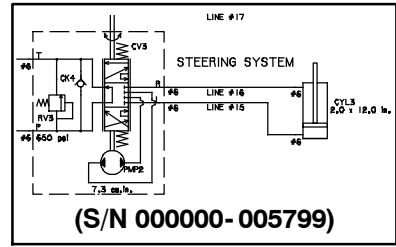
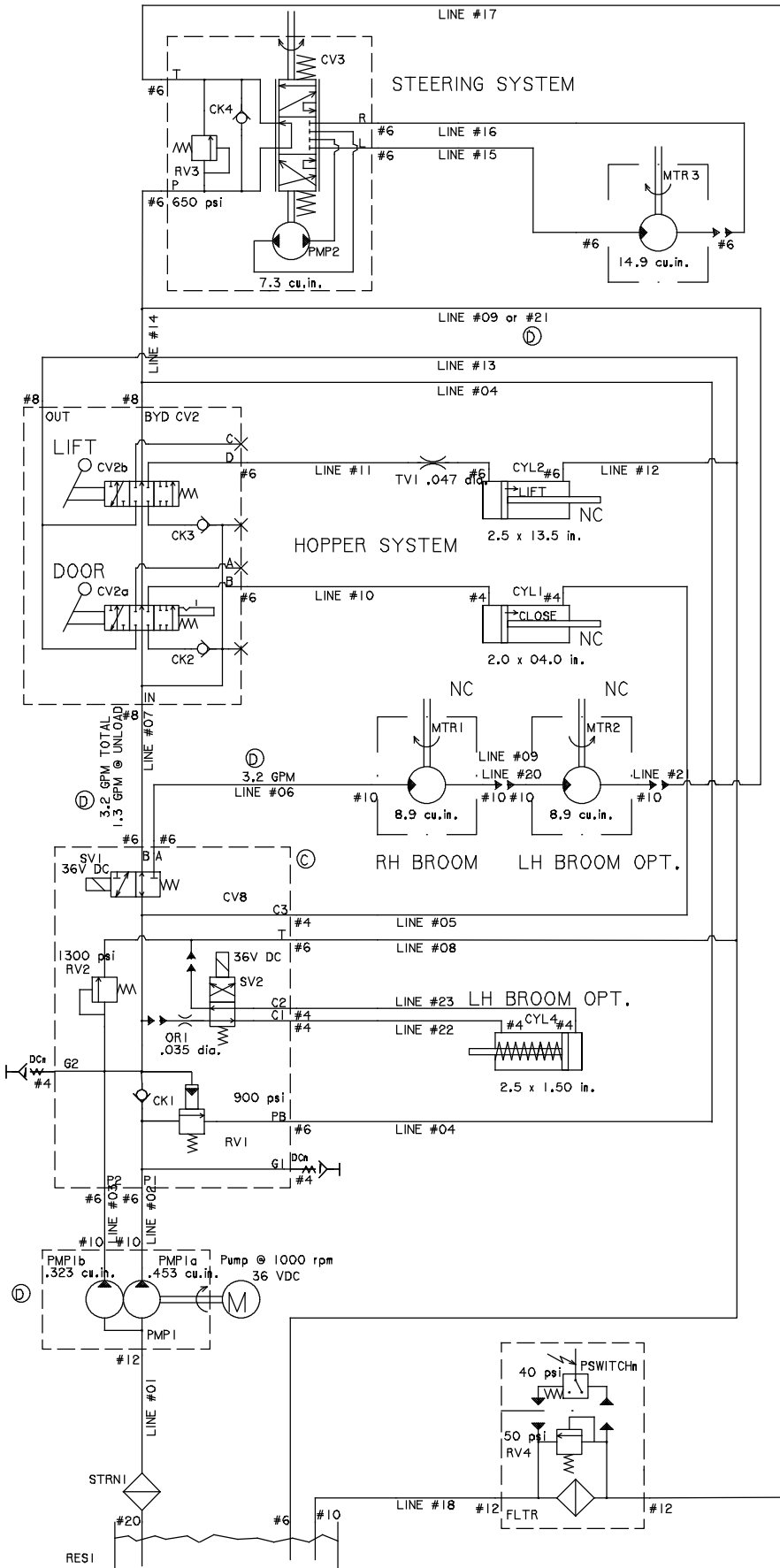


Fig. 30 - Hopper Filter Shaker Cover Group

| Ref. | Part No. | Serial Number  | Description                               | Qty. |
|------|----------|----------------|---|------|
| 1    | 1057960  | (000000-       | ) Gasket, Tray                            | 1    |
| 2    | 16735    | (000000-       | ) Screw, Hex, M8 X 1.25 X 16, 8.8         | 7    |
| 3    | 32491    | (000000-       | ) Washer, Flat, 0.31, Std                 | 8    |
| 4    | 1043818  | (000000-       | ) Cover, Mold                             | 1    |
| 5    | 1057959  | (000000-       | ) Gasket, Tray                            | 1    |
| 6    | 40607    | (000000-       | ) Fitting, Brs, Str, Bm03/Pm02            | 2    |
| 7    | 87546    | (000000-001070 | ) Sensor, Thermal, 140deg, No, Spst       | 1    |
| 8    | 360973   | (000000-001070 | ) Screw, Pan, 12- 16 X 0.50, F/ Plstc     | 2    |
| 9    | 30406    | (000000-       | ) Clip, Keeper                            | 3    |
| 10   | 384419   | (000000-       | ) Bracket, Latch, Keeper [Southco]        | 2    |
| 11   | 49697    | (000000-       | ) Screw, Pan, Phl, M4 X 0.70 X 10, Ss     | 4    |
| 12   | 1049860  | (000000-       | ) Stud, M8 X 1.25 [55.0]                  | 2    |
| 13   | 1044352  | (000000-       | ) Bracket Wldt, Fltr                      | 1    |
| 14   | 1075328  | (000000-       | ) Motor, Ele, 36vdc 22017rpm 0.11hp 03.3a | 1    |
| 15   | 39322    | (000000-       | ) Screw, Set, Soc, 10- 24 X 0.38, Al      | 4    |
| 16   | 1053321  | (000000-       | ) Weight, Eccentric, Pntd                 | 1    |
| 17   | 1053291  | (000000-       | ) Weight, Eccentric, Pntd                 | 1    |
| 18   | 86618    | (000000-       | ) Nut, Hex, Lock, #10- 32, NI             | 2    |
| 19   | 07514    | (000000-       | ) Washer, Lock, Int, 10, Ss               | 2    |
| 20   | 1056298  | (001071-001361 | ) Switch, Temp, Sealed, Nc                | 1    |
| 21   | 1045900  | (000000-       | ) Filter, Cyl, 11.09d, 13.31l, 6.724 ld   | 1    |
| 22   | 1043819  | (000000-       | ) Elbow, Mold                             | 1    |
| 23   | 1044356  | (000000-       | ) Gasket, Cover                           | 1    |
| 24   | 1048335  | (000000-       | ) Knob, Star, 2.75d 4ear 1.1l M8x1.25     | 2    |
| 25   | 1048353  | (000000-       | ) Strap, Rbr                              | 2    |
| 26   | 1037346  | (000000-       | ) Screw, Hex, M8 X 1.25 X 25, 9.8, Sems   | 4    |
| 27   | 1044146  | (000000-       | ) Bar, Cover                              | 1    |
| 28   | 384418   | (000000-       | ) Latch, Door [Southco 91- 562- 07]       | 2    |
| 29   | 24265    | (000000-       | ) Screw, Pan, Phl, M4 X 0.70 X 16, Ss     | 4    |
| 30   | 02850    | (000000-       | ) Nut, Hex, Lock, M4 X 0.70, NI           | 4    |
| 31   | 763149   | (001071-       | ) Screw, Pan, 06- X 0.38, F/ Plstc        | 2    |
| 32   | 1061575  | (001362-       | ) Switch, Temp, Sealed, Nc                | 1    |
| 33   | 1076311  | (006266-       | ) Door Wldt, Cleanout [S20]               | 1    |
| 34   | 1236153  | (006266-       | ) Seal, Cleanout Door                     | 1    |
| 35   | 384418   | (006266-       | ) Latch, Door [Southco 91- 562- 07]       | 1    |
| 36   | 24265    | (006266-       | ) Screw, Pan, Phl, M4 X 0.70 X 16, Ss     | 2    |
| 37   | 15675    | (006266-       | ) Screw, Hex, M8 X 1.25 X 30, 8.8         | 2    |
| 38   | 01685    | (006266-       | ) Washer, Flat, 0.32b 1.00d .12, Ss       | 2    |

Fig. 31 - Hydraulic Schematic





**Fig. 32 - Hydraulic Hose Group**

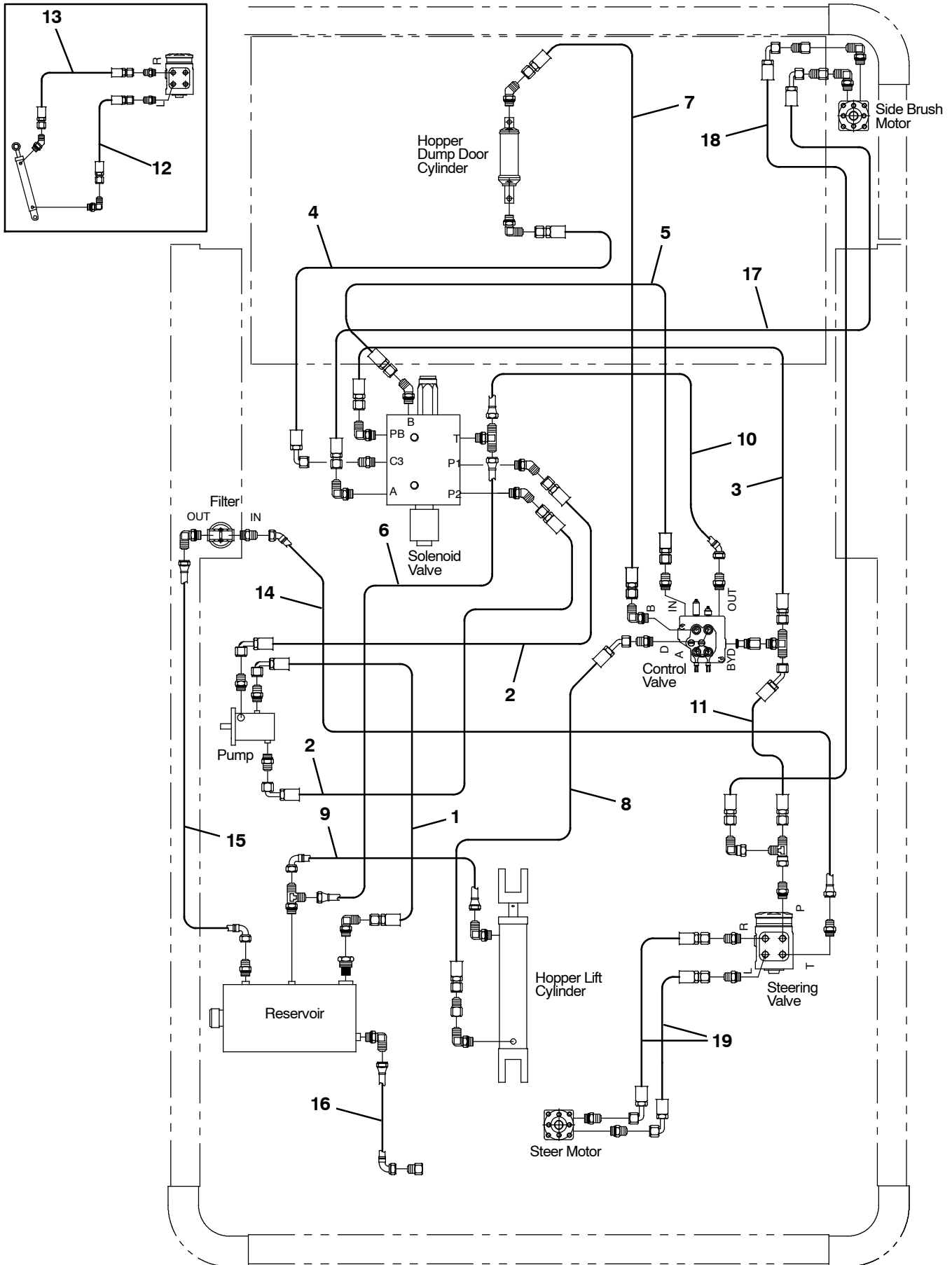


Fig. 32 - Hydraulic Hose Group

| Ref. | Part No. | Serial Number     | Description                              | Qty. |
|------|----------|-------------------|--|------|
| 1    | 361038   | (000000- 002999 ) | Hose, Hyd, Suc12, Jf12e90/Jf12str, 024.0 | 1    |
| 1    | 1071757  | (003000- )        | Hose, Hyd, Suc12, Of12e90/Of12str, 024.0 | 1    |
| 2    | 387282   | (000000- 002999 ) | Hose, Hyd, Tc06, Jf06e90/Jf06str, 024.0  | 2    |
| 2    | 1071758  | (003000- )        | Hose, Hyd, Tc06, Of06e90/Of06str, 024.0  | 2    |
| 3    | 361040   | (000000- 002999 ) | Hose, Hyd, Tc06, Jf06e90/Jf06str, 034.0  | 1    |
| 3    | 1071718  | (003000- )        | Hose, Hyd, Tc06, Of06e90/Of06str, 34.0   | 1    |
| 4    | 82819    | (000000- 002999 ) | Hose, Hyd, Med04, Jf04e90/Jf04str, 088.0 | 1    |
| 4    | 1071760  | (003000- )        | Hose, Hyd, Med04, Of04e90/Of04str, 088.0 | 1    |
| 5    | 1055376  | (000000- 002999 ) | Hose, Hyd, Tc06, Jf06str/Jf06str, 020.0  | 1    |
| 5    | 1071761  | (003000- )        | Hose, Hyd, Tc06, Of06str/Of06str, 020.0  | 1    |
| 6    | 76762    | (000000- 002999 ) | Hose, Hyd, Low06, Jf06str/Jf06str, 026.0 | 1    |
| 6    | 1071763  | (003000- )        | Hose, Hyd, Low06, Of06str/Of06str, 026.0 | 1    |
| 7    | 1027321  | (000000- 002999 ) | Hose, Hyd, Tc04, Jf04str/Jf04e90, 070.0  | 1    |
| 7    | 1071734  | (003000- )        | Hose, Hyd, Tc04, Of04str/Of04e90, 070.0  | 1    |
| 8    | 57972    | (000000- 002999 ) | Hose, Hyd, Med04, Jf04e45/Jf04str, 018.0 | 1    |
| 8    | 1071765  | (003000- )        | Hose, Hyd, Med04, Of04e45/Of04str, 018.0 | 1    |
| 9    | 31603    | (000000- 002999 ) | Hose, Hyd, Low06, Jf06e90/Jf06str, 052.0 | 1    |
| 9    | 1071766  | (003000- )        | Hose, Hyd, Low06, Of06e90/Of06str, 052.0 | 1    |
| 10   | 361031   | (000000- 002999 ) | Hose, Hyd, Low06, Jf06e45/Jf06str, 022.0 | 1    |
| 10   | 1071767  | (003000- )        | Hose, Hyd, Low06, Of06e45/Of06str, 022.0 | 1    |
| 11   | 361045   | (000000- 002999 ) | Hose, Hyd, Med06, Jf06e45/Jf06str, 021.0 | 1    |
| 11   | 1071768  | (003000- )        | Hose, Hyd, Med06, Of06e45/Of06str, 021.0 | 1    |
| 12   | 361053   | (000000- 002999 ) | Hose, Hyd, Med06, Jf06str/Jf06str, 030.0 | 1    |
| 12   | 1071769  | (003000- 005799 ) | Hose, Hyd, Med06, Of06str/Of06str, 030.0 | 1    |
| 13   | 71556    | (000000- 002999 ) | Hose, Hyd, Med06, Jf06str/Jf06str, 042.0 | 1    |
| 13   | 1071770  | (003000- 005799 ) | Hose, Hyd, Med06, Of06str/Of06str, 042.0 | 1    |
| 14   | 361032   | (000000- 002999 ) | Hose, Hyd, Low08, Jf08e45/Jf08str, 024.0 | 1    |
| 14   | 1071771  | (003000- )        | Hose, Hyd, Low08, Of08e45/Of08str, 024.0 | 1    |
| 15   | 71557    | (000000- 002999 ) | Hose, Hyd, Low08, Jf08e90/Jf08str, 032.0 | 1    |
| 15   | 1071772  | (003000- )        | Hose, Hyd, Low08, Of08e90/Of08str, 032.0 | 1    |
| 16   | 57974    | (000000- 002999 ) | Hose, Hyd, Low08, Jf08e90/Jf08str, 024.0 | 1    |
| 16   | 1071773  | (003000- )        | Hose, Hyd, Low08, Of08e90/Of08str, 024.0 | 1    |
| 17   | 02469    | (000000- 002999 ) | Hose, Hyd, Med06, Jf06e90/Jf06str, 100.0 | 1    |
| 17   | 1071774  | (003000- )        | Hose, Hyd, Med06, Of06e90/Of06str, 100.0 | 1    |
| 18   | 31597    | (000000- 002999 ) | Hose, Hyd, Med06, Jf06e90/Jf06str, 068.0 | 1    |
| 18   | 1071776  | (003000- )        | Hose, Hyd, Med06, Of06e90/Of06str, 068.0 | 1    |
| 19   | 1071776  | (005800- )        | Hose, Hyd, Med06, Of06e90/Of06str, 068.0 | 2    |

**Fig. 33 - Hydraulic Reservoir Group**

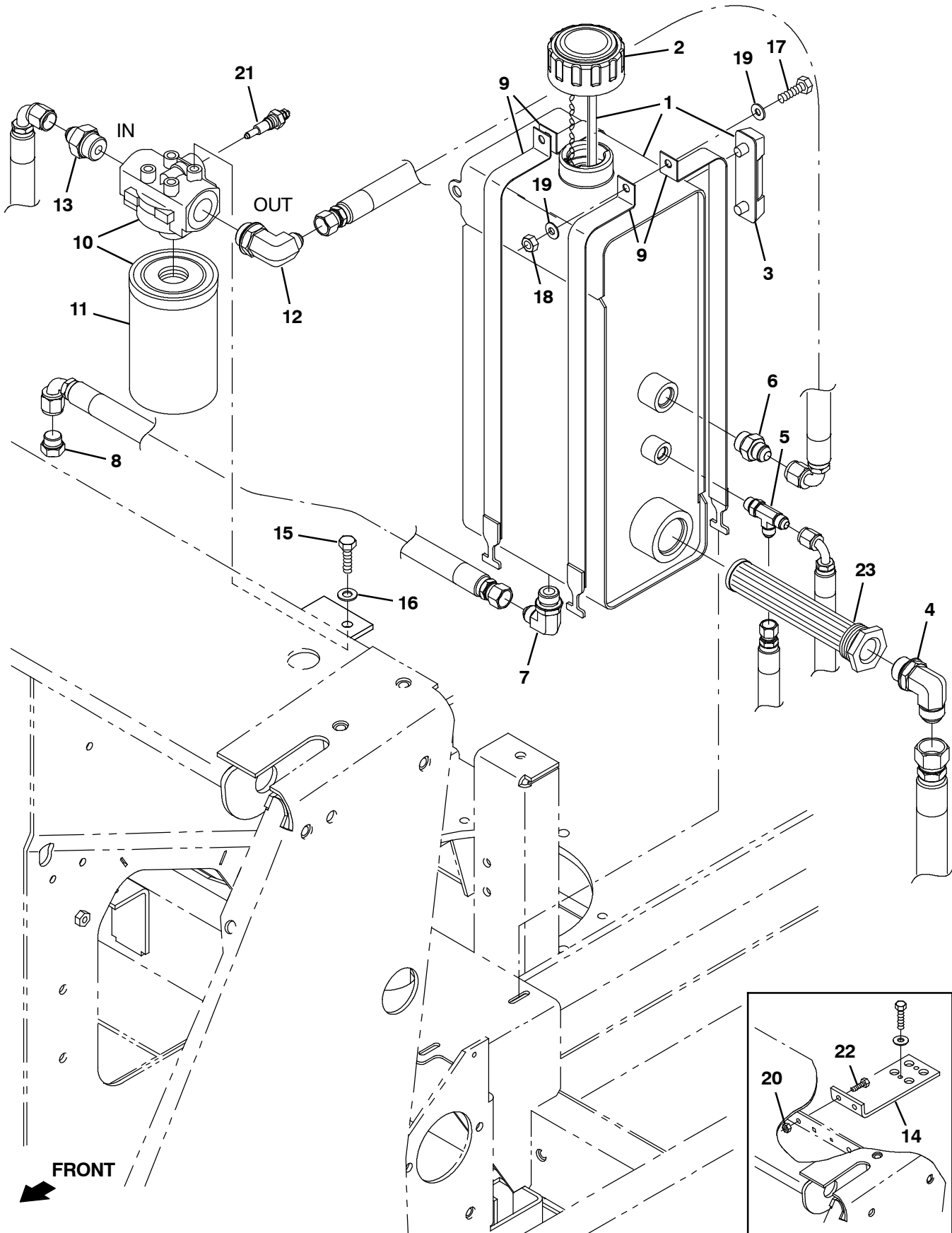
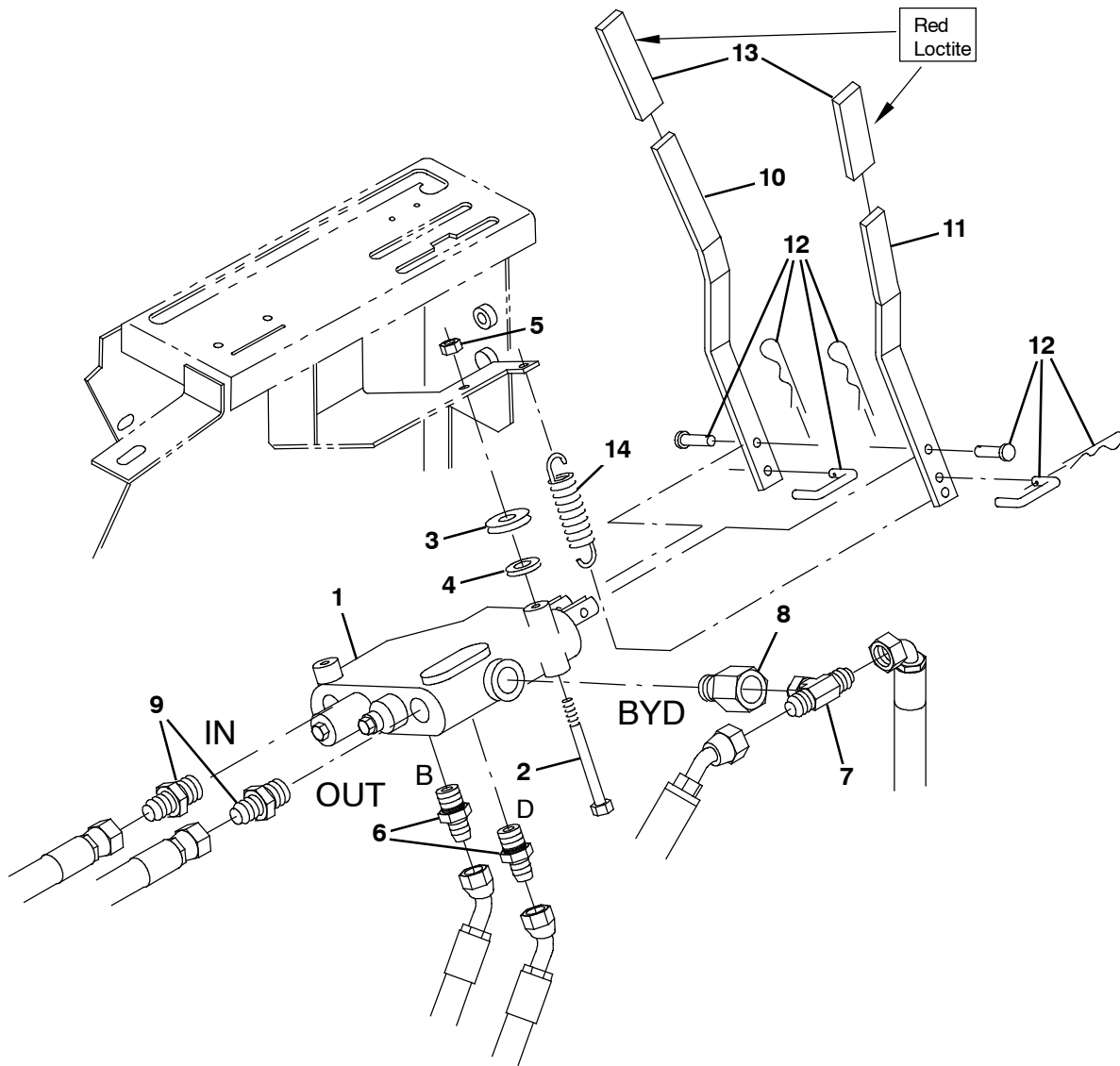


Fig. 33 - Hydraulic Reservoir Group

|   | Ref. | Part No. | Serial Number   | Description                                | Qty. |
|---|------|----------|-----------------|--|------|
| ▽ | 1    | 361271   | (000000-        | ) Reservoir, 02.8gal, W/ Label [6400e]     | 1    |
| ▲ | 2    | 360991   | (000000-        | ) Cap, Breather, Hyd, 5.2 Ds               | 1    |
| ▲ |      | 70006    | (000000-        | ) Gasket, Cap, Breather, Hyd               | 1    |
| ▲ | 3    | 65215    | (000000-        | ) Gauge, Sensing, Level                    | 1    |
|   | 4    | 46481    | (000000- 002999 | ) Fitting, Hyd, E90, Jm12/Om12             | 1    |
|   | 4    | 762492   | (003000-        | ) Fitting, Hyd, E90, Fm12/Om12             | 1    |
|   | 5    | 76316    | (000000- 002999 | ) Fitting, Hyd, Tee, Jm06/Jm06/Om06, Run   | 1    |
|   | 5    | 762434   | (003000-        | ) Fitting, Hyd, Tee, Fm06/Fm06/Om06, Run   | 1    |
|   | 6    | 56692    | (000000- 002999 | ) Fitting, Hyd, Str, Jm08/Om10             | 1    |
|   | 6    | 762456   | (003000-        | ) Fitting, Hyd, Str, Fm08/Om10             | 1    |
|   | 7    | 56821    | (000000- 002999 | ) Fitting, Hyd, E90, Jm08/Om10             | 1    |
|   | 7    | 767411   | (003000-        | ) Fitting, Hyd, E90, Fm08/Om10             | 1    |
|   | 8    | 16376    | (000000- 002999 | ) Fitting, Hyd, Plug, Jm08                 | 1    |
|   | 8    | 762448   | (003000-        | ) Fitting, Hyd, Plug, Fm08                 | 1    |
|   | 9    | 1051866  | (000000- 005693 | ) Strap Wldt, Tank, Hyd                    | 4    |
|   | 9    | 1074671  | (005694-        | ) Strap Wldt, Tank, Hyd                    | 4    |
| ▽ | 10   | 10664    | (000000-        | ) Filter Assy, Hyd, 10mic 035gpm, Spin- On | 1    |
| ▲ | 11   | 65221    | (000000-        | ) Element, Fltr, Hyd Oil                   | 1    |
|   | 12   | 47655    | (000000- 002999 | ) Fitting, Hyd, E90, Jm08/Om12             | 1    |
|   | 12   | 762462   | (003000-        | ) Fitting, Hyd, E90, Fm08/Om12             | 1    |
|   | 13   | 42227    | (000000- 002999 | ) Fitting, Hyd, Str, Jm08/Om12             | 1    |
|   | 13   | 762457   | (003000-        | ) Fitting, Hyd, Str, Fm08/Om12             | 1    |
|   | 14   | 1051892  | (000000- 001291 | ) Bracket, Mtg, Fltr, Hyd                  | 1    |
|   | 15   | 34195    | (000000-        | ) Screw, Hex, .38- 16 X 1.00, NI           | 2    |
|   | 16   | 32485    | (000000-        | ) Washer, Flat, 0.38, Sae                  | 2    |
|   | 17   | 1037354  | (000000-        | ) Screw, Hex, M8 X 1.25 X 30, 9.8, Sems    | 2    |
|   | 18   | 08709    | (000000-        | ) Nut, Hex, Lock, M8 X 1.25, NI            | 2    |
|   | 19   | 32490    | (000000-        | ) Washer, Flat, 0.25, Std                  | 4    |
|   | 20   | 07791    | (000000- 001291 | ) Nut, Hex, Flng, M8 X 1.25                | 2    |
|   | 21   | 361198   | (000000-        | ) Switch Assy, Press, No/Nc 0040Psi        | 1    |
|   | 22   | 1037354  | (000000- 001291 | ) Screw, Hex, M8 X 1.25 X 30, 9.8, Sems    | 2    |
|   | 23   | 361023   | (000000-        | ) Strainer, Hyd, 010gpm 100mesh            | 1    |

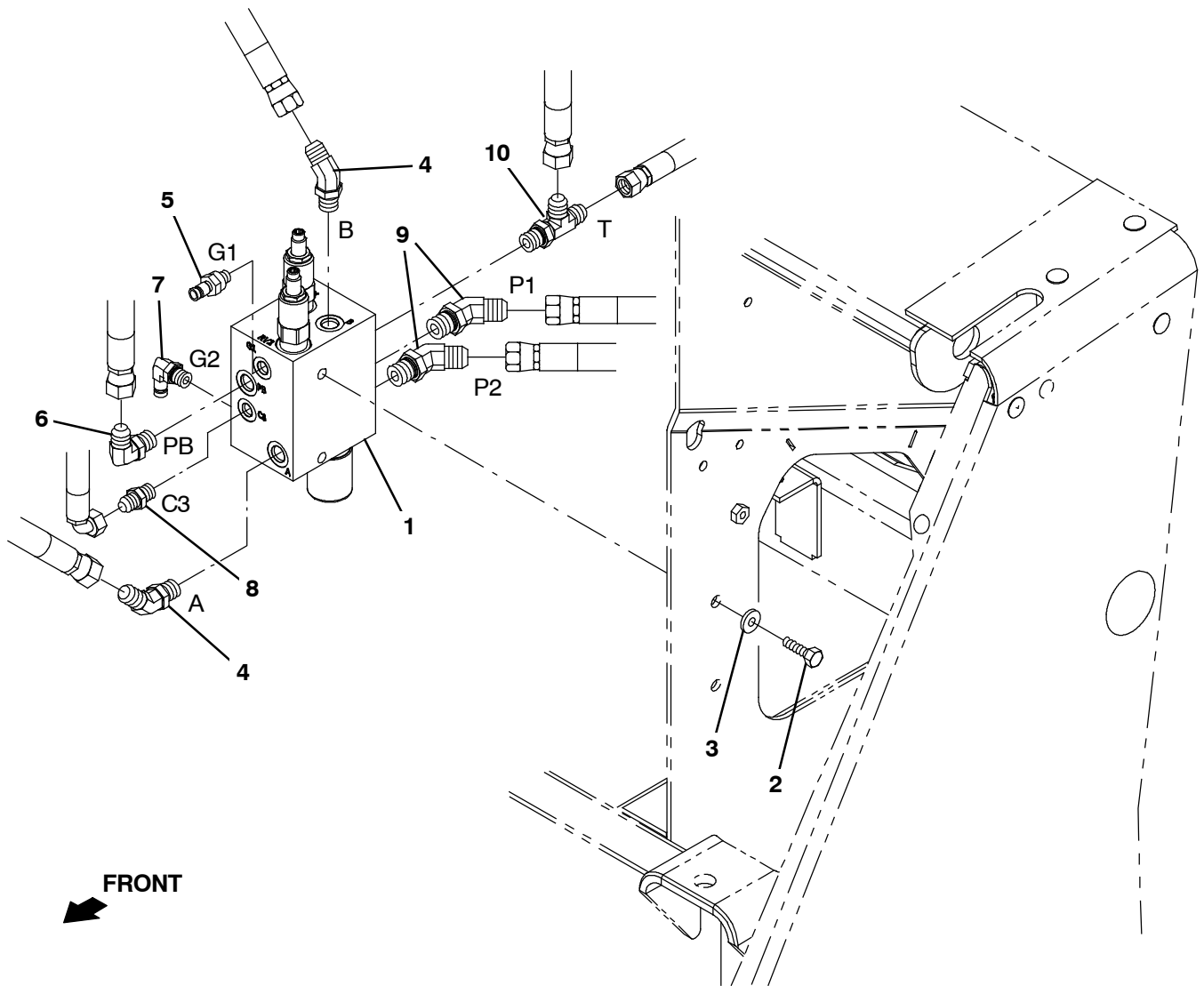
**Fig. 34 - Hydraulic Control Valve Group**



356015- E, NA

| Ref. | Part No. | Serial Number    | Description  | Qty. |
|------|----------|------------------|--|------|
| 1    | 361012   | (000000- )       | Valve, Hyd, Mnl, 2spool 0100psi 10gpm (See Breakdowns) | 1    |
| 2    | 06949    | (000000- )       | Screw, Hex, M6 X 1.00 X 50, 8.8                        | 2    |
| 3    | 63416    | (000000- )       | Washer, Flat, 0.31b 0.88d .12, Rbr                     | 2    |
| 4    | 32491    | (000000- )       | Washer, Flat, 0.31, Std                                | 2    |
| 5    | 08708    | (000000- )       | Nut, Hex, Lock, M6 X 1.00, NI                          | 2    |
| 6    | 55685    | (000000-002999 ) | Fitting, Hyd, Str, Jm04/Om06                           | 2    |
| 6    | 762426   | (003000- )       | Fitting, Hyd, Str, Fm04/Om06                           | 1    |
| 7    | 67683    | (000000-002999 ) | Fitting, Hyd, Tee, Jm06/Jm06/Om06, Br                  | 1    |
| 7    | 762436   | (003000- )       | Fitting, Hyd, Tee, Fm06/Fm06/Om06, Br                  | 1    |
| 8    | 361028   | (000000- )       | Plug Assy, Hyd   | 1    |
| 9    | 52402    | (000000-002999 ) | Fitting, Hyd, Str, Jm06/Om08                           | 2    |
| 9    | 762438   | (003000- )       | Fitting, Hyd, Str, Fm06/Om08                           | 2    |
| 10   | 360062   | (000000- )       | Handle, Cntrl, Valve                                   | 1    |
| 11   | 360063   | (000000- )       | Handle, Cntrl, Valve                                   | 1    |
| 12   | 361299   | (000000- )       | Link Assy, Valve Handle                                | 1    |
| 13   | 360467   | (000000- )       | Grip, Vyl  | 2    |
| 14   | 59870    | (000000- )       | Spring, Extn, 0.38od 0.05wir 02.5l                     | 1    |

Fig. 35 - Hydraulic Solenoid Valve Group



356016- E, NA

| Ref. | Part No. | Serial Number     | Description                                  | Qty. |
|------|----------|-------------------|--|------|
| 1    | 1046688  | (000000- 006445 ) | Valve, Hyd, Solenoid, 36vdc (See Breakdowns) | 1    |
| 1    | 1237088  | (006446-          | Valve, Hyd, Solenoid, 36vdc (See Breakdowns) | 1    |
| 2    | 06961    | (000000-          | Screw, Hex, M10 X 1.50 X 20, 8.8             | 2    |
| 3    | 32492    | (000000-          | Washer, Flat, 0.38, Std                      | 2    |
| 4    | 47522    | (000000- 002999 ) | Fitting, Hyd, E45, Jm06/Om06                 | 2    |
| 4    | 762442   | (003000-          | Fitting, Hyd, E45, Fm06/Om06                 | 2    |
| 5    | 395973   | (000000-          | Fitting, Hyd, Str, Om04/Qm04                 | 1    |
| 6    | 56820    | (000000- 002999 ) | Fitting, Hyd, E90, Jm06/Om06                 | 1    |
| 6    | 762432   | (003000-          | Fitting, Hyd, E90, Fm06/Om06                 | 1    |
| 7    | 395974   | (000000-          | Fitting, Hyd, E90, Om04/Qm04                 | 1    |
| 8    | 55586    | (000000- 002999 ) | Fitting, Hyd, Str, Jm04/Om04                 | 1    |
| 8    | 762428   | (003000-          | Fitting, Hyd, Str, Fm04/Om04                 | 1    |
| 9    | 47522    | (000000- 002999 ) | Fitting, Hyd, E45, Jm06/Om06                 | 2    |
| 9    | 762442   | (003000-          | Fitting, Hyd, E45, Fm06/Om06                 | 2    |
| 10   | 76316    | (000000- 002999 ) | Fitting, Hyd, Tee, Jm06/Jm06/Om06, Run       | 1    |
| 10   | 762435   | (003000-          | Fitting, Hyd, Tee, Ff06/Fm06/Fm06, Run       | 1    |



Fig. 36 - Electrical Control Box Group

| Ref. | Part No.  | Serial Number     | Description                                   | Qty. |
|------|-----------|-------------------|---|------|
| 1    | 9006977   | (000000- 001286 ) | Plate, Component, Ele, W/Label [S20] Na       | 1    |
| 1    | 9006976   | (000000- 001286 ) | Plate, Component, Ele, W/Label [S20] Jp       | 1    |
| 2    | 10632- 15 | (000000- )        | Grommet, Rbr, 0.50id, F/0.8h, .09 Matl        | 8    |
| 3    | 15008     | (000000- )        | Controller, 36vdc [Only F/ Tnv]               | 1    |
| 4    | 74455     | (000000- )        | Screw, Hex, M6 X 1.00 X 12, Fmg               | 9    |
| 5    | 76062     | (000000- )        | Stand- Off, Wir, M6, Insulator, Panel         | 4    |
| 6    | 19315     | (000000- )        | Screw, Hex, .25- 20 X 0.50, G5                | 10   |
| 7    | 32982     | (000000- )        | Washer, Lock, Int, 0.25                       | 16   |
| 8    | 86375     | (000000- )        | Contactora, 36vdc [Spno]                      | 1    |
| 9    | 87482     | (000000- )        | Relay, 36vdc, 100a, Spdt No [Cabelform]       | 3    |
| 10   | 86417     | (000000- )        | Screw, Hex, 06- 32 X 0.75, Fmg, PI            | 8    |
| 11   | 87507     | (000000- )        | Busbar, Fuse, .6 0.6w 0.8h 2.0l               | 2    |
| 12   | 360516    | (000000- )        | Resistor, Ele, Plug                           | 1    |
| 13   | 32483     | (000000- )        | Washer, Flat, 0.25, Sae                       | 6    |
| 14   | 87483     | (000000- )        | Busbar, .06 0.6w 2.5l 2/.28h                  | 2    |
| 15   | 86379     | (000000- )        | Fuse, 100a, 0.88 2.4l, 125volt                | 1    |
| 16   | 1041873   | (000000- )        | Fastener, Wire, Tie [Button Head]             | 3    |
| 17   | 87318     | (000000- )        | Fuse, 080a, 0.88 2.4l, 125volt, Slow- Blow    | 1    |
| 18   | 16931     | (000000- )        | Screw, Hex, M8 X 1.25 X 20, 8.8               | 3    |
| 19   | 07791     | (000000- )        | Nut, Hex, Flng, M8 X 1.25                     | 4    |
| 20   | 32490     | (000000- )        | Washer, Flat, 0.25, Std                       | 4    |
| 21   | 32984     | (000000- )        | Washer, Lock, Int, 0.31                       | 4    |
| 22   | 39277     | (000000- )        | Screw, Hex, M8 X 1.25 X 25, 8.8               | 1    |
| 23   | 9006985   | (000000- )        | Cover, Wldt, Component, Ele, W/Label [S20] Na | 1    |
| 23   | 9006986   | (000000- )        | Cover, Wldt, Component, Ele, W/Label [S20] Jp | 1    |
| 24   | 1053395   | (000000- )        | Gasket, Cover                                 | 1    |
| 25   | 49266     | (000000- )        | Tie, Cable, Nyl, 07.3l .19w 1.8 Max D         | 5    |
| 26   | 1050158   | (000000- 001286 ) | Bracket, Sppt, Ele Panl                       | 1    |
| 27   | 1037358   | (000000- 005799 ) | Screw, Hex, M10 X 1.50 X 35, 9.8, Sems        | 2    |
| 28   | 07792     | (000000- 005799 ) | Nut, Hex, Flng, M10 X 1.50                    | 2    |
| 29   | 1020341   | (000000- 001286 ) | Screw, Hex, M8 X 1.25 X 20, Ss, Sems          | 3    |
| 30   | 9007176   | (001287- 005799 ) | Bracket, Panl, Contrl, W/Label, Na            | 1    |
| 30   | 9007175   | (001287- 005799 ) | Bracket, Panl, Contrl, W/Label, Jp            | 1    |
| 31   | 9013149   | (005800- )        | Bracket Kit, Panl, Cntrl, W/Label, Na         | 1    |
| 31   | 9013148   | (005800- )        | Bracket Kit, Panl, Cntrl, W/Label, Jp         | 1    |
| 32   | 1037346   | (005800- )        | Screw, Hex, M8 X 1.25 X 25, 9.8, Sems         | 1    |
| 33   | 07791     | (005800- )        | Nut, Hex, Flng, M8 X 1.25                     | 1    |

Fig. 37 - Electrical Control Box Wire Connection Group

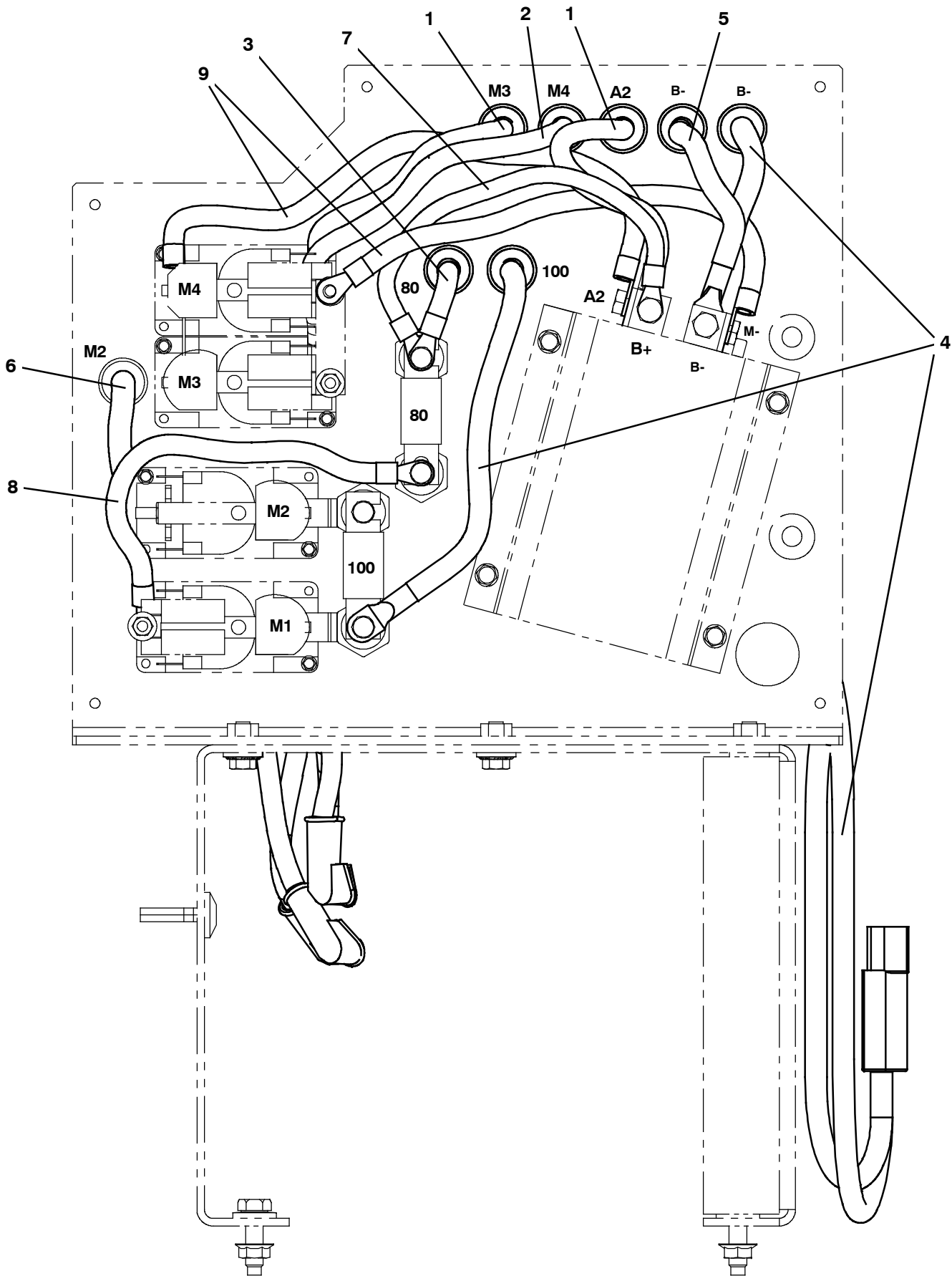


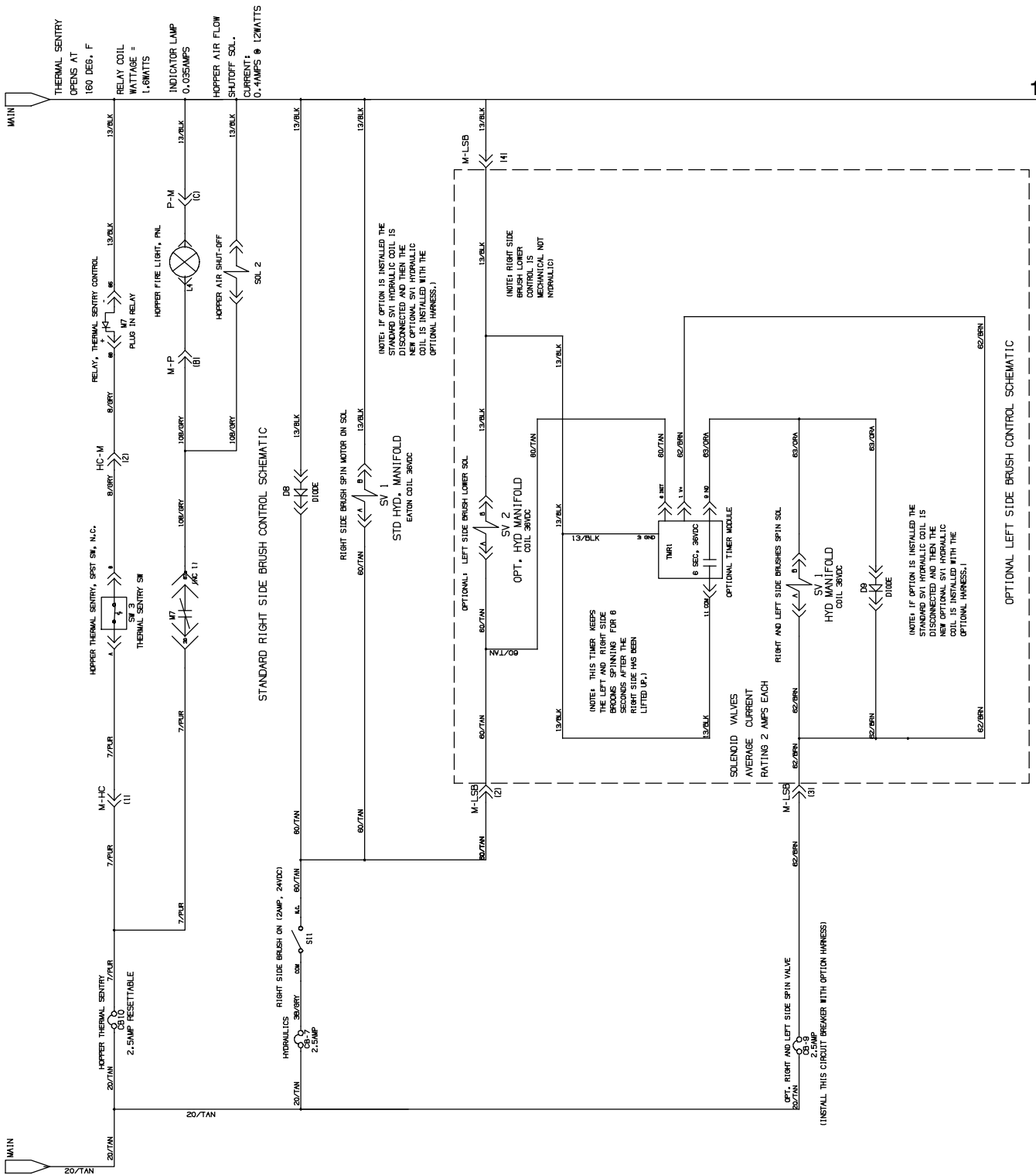
Fig. 37 - Electrical Control Box Wire Connection Group

| Ref. | Part No. | Serial Number | Description                              | Qty. |
|------|----------|---------------|--|------|
| 1    | 87496    | (000000-      | ) Cable, 04ga 30.0l Blk .34ring /.34ring | 2    |
| 2    | 71529    | (000000-      | ) Cable, 04ga 32.0l Blk .34ring /.34ring | 1    |
| 3    | 87558    | (000000-      | ) Cable, 04ga 21.0l Blk .28ring /.34ring | 1    |
| 4    | 1052625  | (000000-      | ) Harness, Wire, Controller              | 1    |
| 5    | 86398    | (000000-      | ) Cable, 04ga 60.0l Blk .34ring /.34ring | 1    |
| 6    | 360989   | (000000-      | ) Cable, 04ga 48.0l Blk .28ring /.34ring | 1    |
| 7    | 15846    | (000000-      | ) Cable, 06ga 11.0l Blk .28ring /.34ring | 1    |
| 8    | 223356   | (000000-      | ) Cable, 04ga 12.0l Blk .34ring /.34ring | 1    |
| 9    | 87495    | (000000-      | ) Cable, 04ga 15.0l Blk .28ring /.34ring | 2    |





Fig. 38 - Electrical Schematic



1

354987, 1048610 - E

Fig. 38 - Electrical Schematic

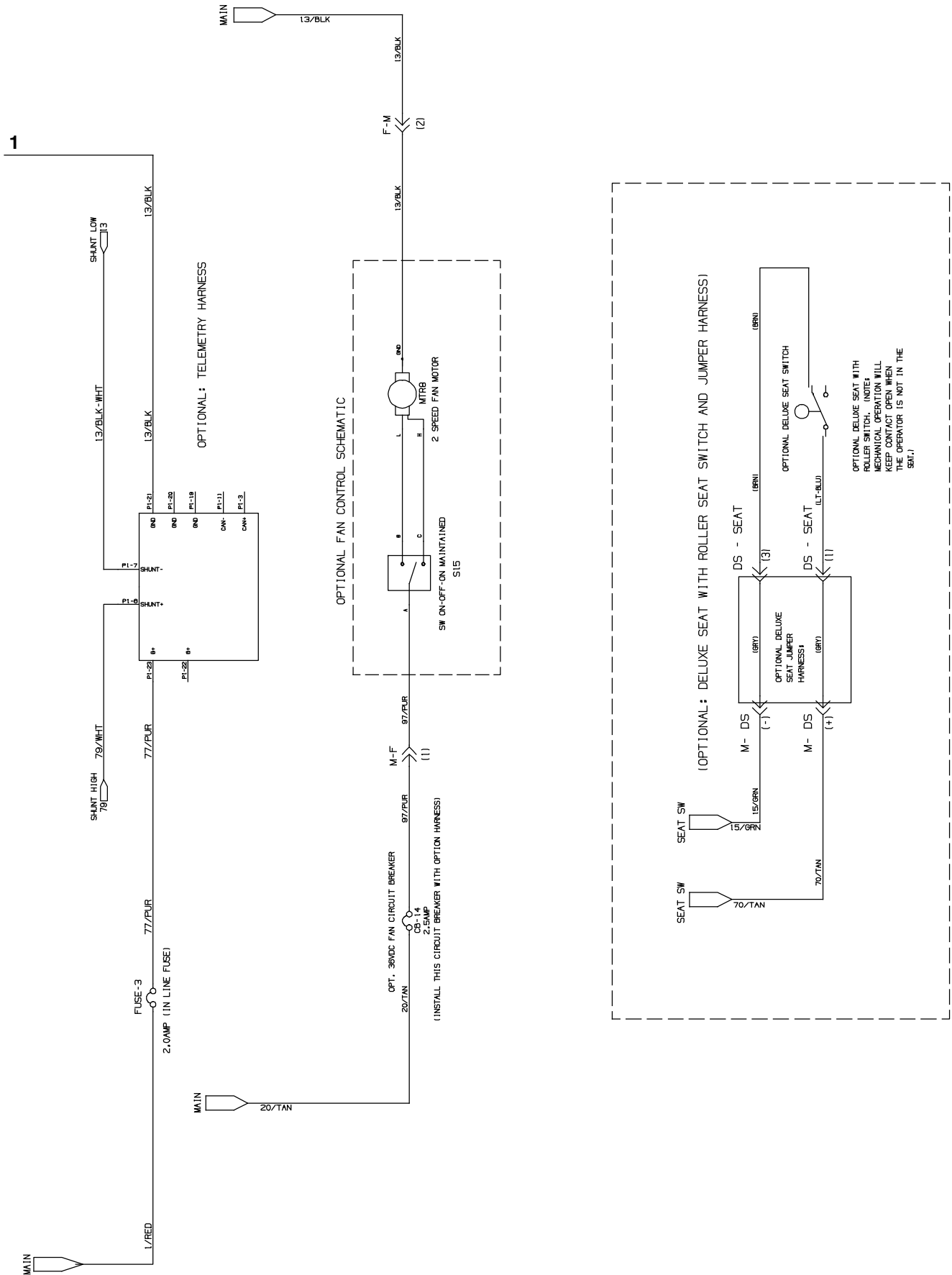
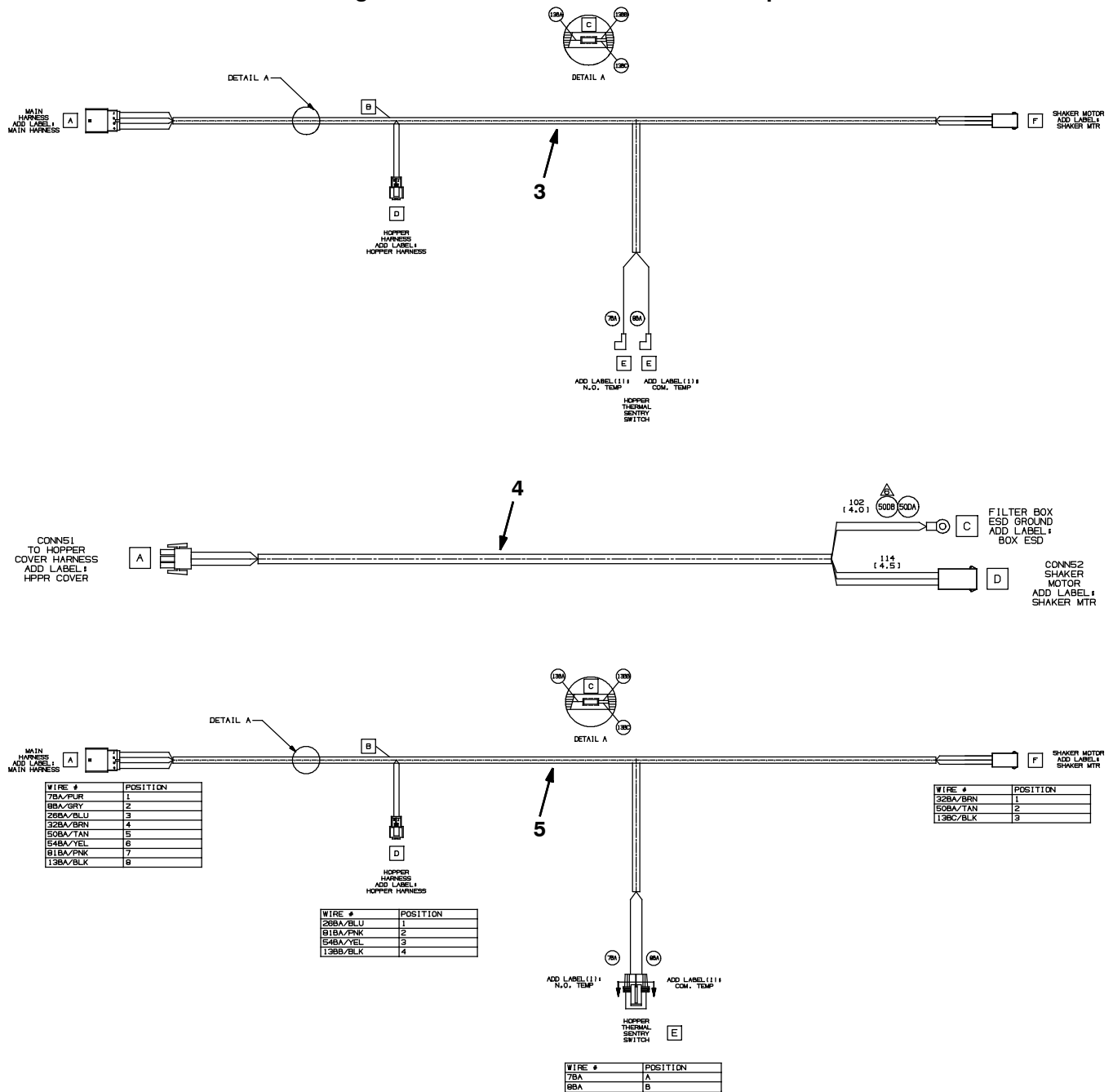








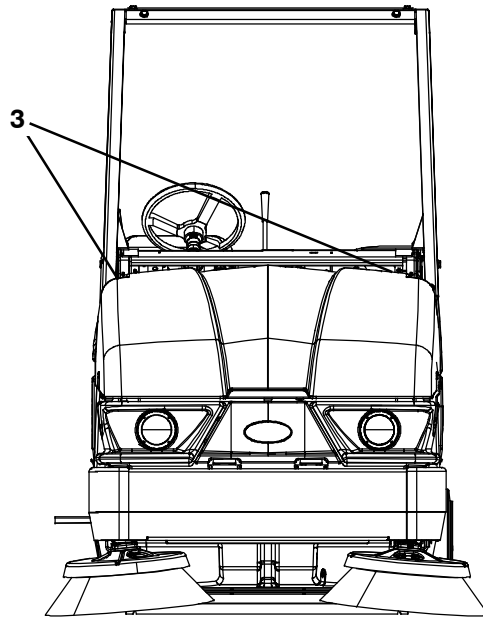
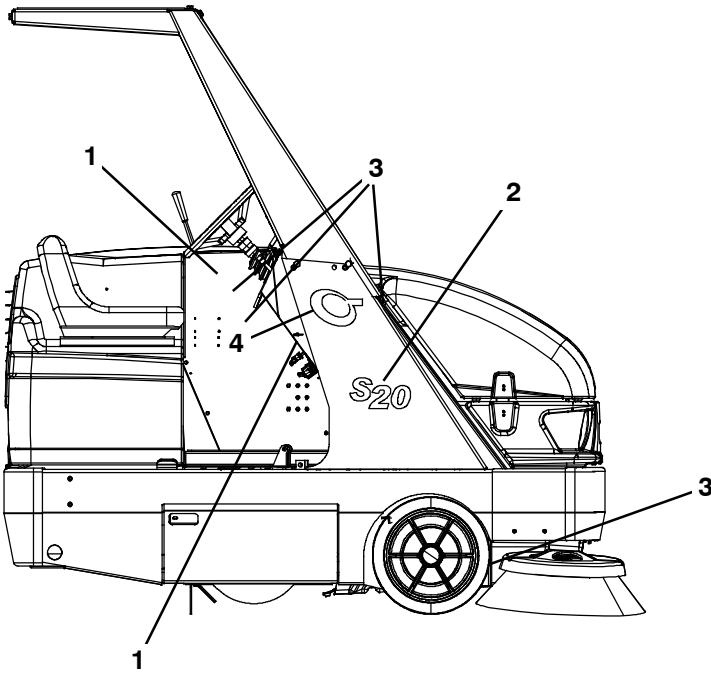
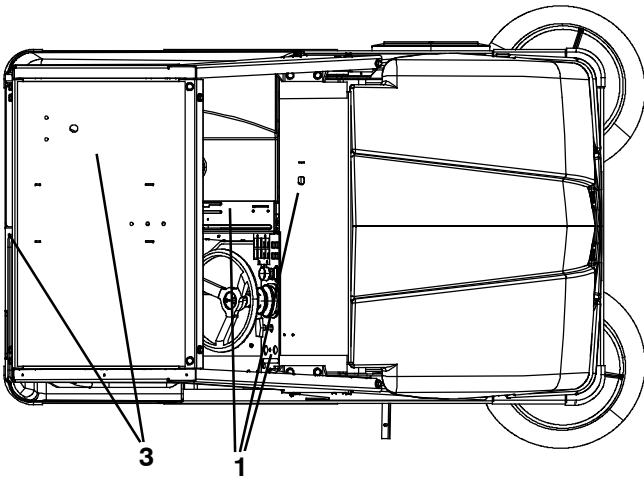
Fig. 39 - Electrical Wire Harness Group



354990 - E, NA

| Ref. | Part No. | Serial Number     | Description                          | Qty. |
|------|----------|-------------------|--------------------------------------|------|
| 1    | 9006699  | (000000- 001070 ) | Harness Kit, Main, Ele, Replmt [S20] | 1    |
| 1    | 1056624  | (001071-          | Harness, Main, Ele [S20]             | 1    |
| 2    | 1048529  | (000000-          | Harness, Hppr, 36vdc [S20]           | 1    |
| 3    | 1048504  | (000000- 001361 ) | Harness, Hppr, Cover [S20]           | 1    |
| 4    | 1047717  | (000000-          | Harness, Shagr, Motor [S20]          | 1    |
| 5    | 1061582  | (001362-          | Harness, Hppr, Cover [S20]           | 1    |

**Fig. 40 - Label Group**



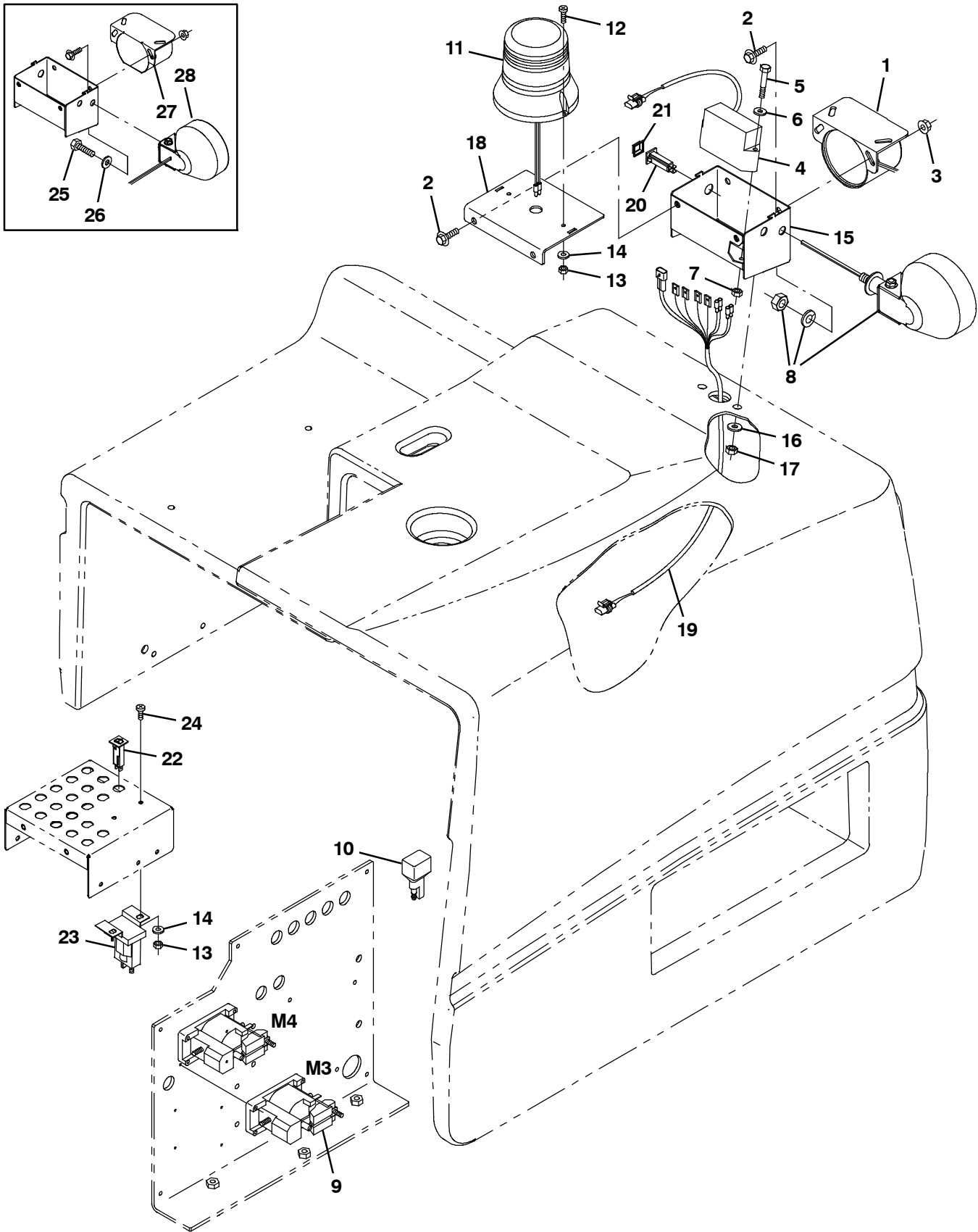
354978 - E

| Ref. | Part No. | Serial Number | Description                     | Qty. |
|------|----------|---------------|---------------------------------|------|
| 1    | 1050727  | (000000-      | ) Label Set, Opertnl [S20 Ele]  | 1    |
| 2    | 1050170  | (000000-      | ) Label, Model [S20]            | 1    |
| 3    | 1058333  | (000000-      | ) Label Set, Info/Hzrd [S20]    | 1    |
| 4    | 1057977  | (000000-      | ) Label [Cyclone, Sweepmax S20] | 2    |

# SECTION 3

| Contents  | Page |
|---|------|
| Fig. 1 - Backup Alarm and Flashing Light Kit, Rear                  | 3-2  |
| Fig. 2 - Backup Alarm and Strobe Light Kit, Rear                    | 3-4  |
| Fig. 3 - Backup Alarm and Flashing Light Kit, Overhead Guard        | 3-6  |
| Fig. 4 - Backup Alarm and Strobe Light Kit, Overhead Guard          | 3-8  |
| Fig. 5 - Overhead Guard Kit   | 3-10 |
| Fig. 6 - Cab Overhead Guard Group                                   | 3-12 |
| Fig. 7 - Cab Frame and Windows Group                                | 3-14 |
| Fig. 8 - Cab Door Group   | 3-16 |
| Fig. 9 - Deluxe Suspension Seat Kit                                 | 3-18 |
| Fig. 10 - Seat Belt Kit   | 3-20 |
| Fig. 11 - Corner Bumper Kit   | 3-21 |
| Fig. 12 - Dual Side Brush Lift Group, LH                            | 3-22 |
| Fig. 13 - Dual Side Brush Motor and Pivot Group, LH                 | 3-24 |
| Fig. 14 - Dual Side Brush Wire Harness Group                        | 3-26 |
| Fig. 15 - Dual Side Brush Hydraulic Valve Group                     | 3-27 |
| Fig. 16 - Dual Side Brush Hydraulic Hose Diagram                    | 3-28 |
| Fig. 17 - Right Hand Side Brush Dust Control Kit (000000-006329)    | 3-30 |
| Fig. 18 - Right Hand Side Brush Dust Control Kit (006330- )         | 3-32 |
| Fig. 19 - Dual Side Brush Dust Control Kit (000000-006329)          | 3-34 |
| Fig. 20 - Dual Side Brush Dust Control Kit (006330- )               | 3-36 |
| Fig. 21 - Vacuum Wand Kit   | 3-38 |
| Fig. 22 - Fire Extinguisher Kit                                     | 3-40 |
| Fig. 23 - Battery Charger Group                                     | 3-41 |
| Fig. 24 - Battery Group, 36V 420Ah Wet                              | 3-42 |
| Fig. 25 - Telemetry Group   | 3-44 |
| Fig. 26 - Battery Group, 36V 440Ah Wet C/6                          | 3-46 |
| Fig. 27 - Battery Kit, 36V 340Ah Wet C/6                            | 3-47 |
| Fig. 28 - Wet Side Brush Dust Control Water Tank Group              | 3-48 |
| Fig. 29 - Wet Side Brush Dust Control Water Tank Retainer Group     | 3-50 |
| Fig. 30 - Wet Right Hand Side Brush Dust Control Spray Nozzle Group | 3-52 |
| Fig. 31 - Wet Dual Side Brush Dust Control Spray Nozzle Group       | 3-54 |
| Fig. 32 - Wet Side Brush Dust Control Electrical Group              | 3-56 |
| Fig. 33 - Wet Side Brush Dust Control Wire Harness Group            | 3-58 |
| Fig. 34 - HEPA Filter Hopper Cover Group                            | 3-60 |
| Fig. 35 - HEPA Filter Box Group                                     | 3-62 |
| Fig. 36 - Documentation Group                                       | 3-64 |

Fig. 1 - Backup Alarm and Flashing Light Kit, Rear



**Fig. 1 - Backup Alarm and Flashing Light Kit, Rear**

| Ref. | Part No.   | Serial Number     | Description                               | Qty. |
|------|------------|-------------------|---|------|
| ▽    | 9006315    | (000000-          | ) Alarm Kit, Backup, Flsh, Rear, Ev, Ci   | 1    |
| ▲    | 1 9007131  | (001490-          | ) Alarm Assy, Backup, 12/48vdc            | 1    |
| ▲    | 2 1037346  | (000000-          | ) Screw, Hex, M8 X 1.25 X 25, 9.8, Sems   | 4    |
| ▲    | 3 07791    | (000000-          | ) Nut, Hex, Flng, M8 X 1.25               | 2    |
| ▲    | 4 72164    | (000000-          | ) Flasher, 12/48vdc 5a [6309/12- 48v]     | 1    |
| ▲    | 5 06949    | (000000-          | ) Screw, Hex, M6 X 1.00 X 50, 8.8         | 2    |
| ▲    | 6 32483    | (000000-          | ) Washer, Flat, 0.25, Sae                 | 2    |
| ▲    | 7 08708    | (000000-          | ) Nut, Hex, Lock, M6 X 1.00, NI           | 2    |
| ▲    | 8 1072011  | (000000-          | ) Light, Led, 36vdc, 4.8d [Sealed Beam]   | 1    |
| ▲    | 50470      | (000000-          | ) Terminal, Qf, .25 16- 14ga, Blu, F- Ins | 2    |
| ▲    | 9 86377    | (000000-          | ) Contactor, 36vdc [Spco]                 | 1    |
| ▲    | 10 222290  | (000000-          | ) Diode, Ele, Plug                        | 1    |
| ▲    | 11 1075283 | (000000-          | ) Light, Strobe, Amb, 12- 48vdc [Led]     | 1    |
| ▲    | 12 06933   | (000000-          | ) Screw, Pan, Phl, M5 X 0.80 X 16, 4.8    | 2    |
| ▲    | 13 06549   | (000000-          | ) Nut, Hex, Lock, M5 X 0.80, NI           | 4    |
| ▲    | 14 19066   | (000000-          | ) Washer, Flat, 10                        | 4    |
| ▲    | 15 1049554 | (000000-          | ) Angle, Mtg, Alarm                       | 1    |
| ▲    | 16 32491   | (000000-          | ) Washer, Flat, 0.31, Std                 | 2    |
| ▲    | 17 08709   | (000000-          | ) Nut, Hex, Lock, M8 X 1.25, NI           | 2    |
| ▲    | 18 1049553 | (000000-          | ) Plate, Mtg, Light                       | 1    |
| ▲    | 19 1052474 | (000000-          | ) Harness, Alarm / Strobe, 36vdc [S20]    | 1    |
| ▲    | 20 1064185 | (000000-          | ) Circuitbreaker, 05.0a, Resetable        | 1    |
| ▲    | 21 1064191 | (000000-          | ) Boot, Circuitbreaker                    | 1    |
| ▲    | 22 1064184 | (000000-          | ) Circuitbreaker, 2.5a, Resetable         | 1    |
| ▲    | 23 386810  | (000000-          | ) Contactor, 36vdc, 100a, Sp, No          | 1    |
| ▲    | 24 09200   | (000000-          | ) Screw, Pan, Phl, M5 X 0.80 X 12, Ss     | 2    |
|      | 25 39807   | (000000- xxxxxx ) | Screw, Hex, .50- 13 X 0.75, G5            | 1    |
|      | 26 32486   | (000000- xxxxxx ) | Washer Flat,0.50,Sae                      | 1    |
|      | 27 72171   | (000000- 001489 ) | Alarm Assy, Backup, 12- 48vdc 82- 102dba  | 1    |
|      | 28 45391   | (000000- xxxxxx ) | Headlight, 36vdc, 60watt 1.7a             | 1    |

Fig. 2 - Backup Alarm and Strobe Light Kit, Rear

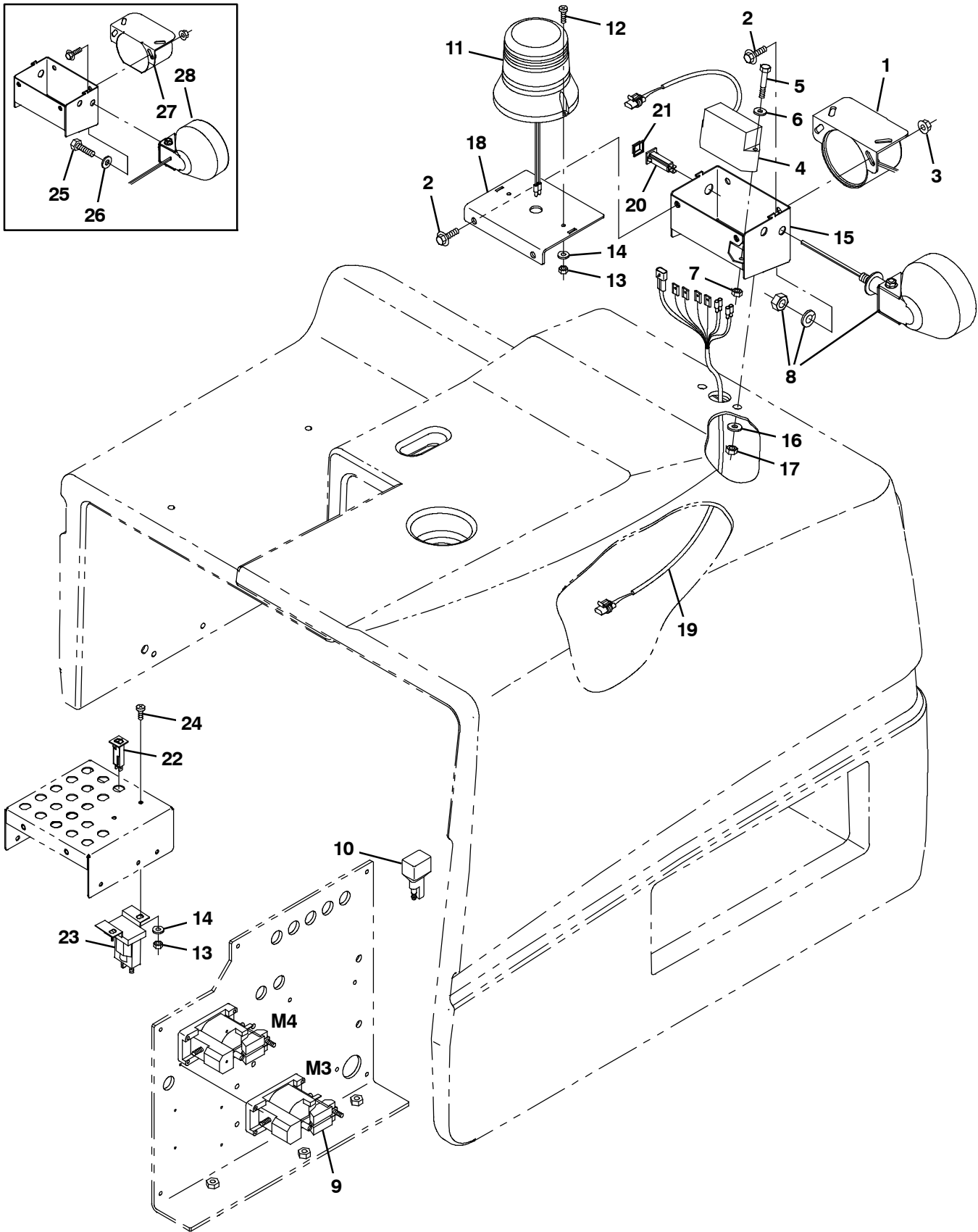


Fig. 2 - Backup Alarm and Strobe Light Kit, Rear

| Ref. | Part No.   | Serial Number     | Description                               | Qty. |
|------|------------|-------------------|---|------|
| ▽    | 9006317    | (000000-          | ) Alarm Kit, Backup, Strb, Rear, Ev, Ci   | 1    |
| ▲    | 1 9007131  | (001490-          | ) Alarm Assy, Backup, 12/48vdc            | 1    |
| ▲    | 2 1037346  | (000000-          | ) Screw, Hex, M8 X 1.25 X 25, 9.8, Sems   | 6    |
| ▲    | 3 07791    | (000000-          | ) Nut, Hex, Flng, M8 X 1.25               | 2    |
| ▲    | 4 72164    | (000000-          | ) Flasher, 12/48vdc 5a [6309/12- 48v]     | 1    |
| ▲    | 5 06949    | (000000-          | ) Screw, Hex, M6 X 1.00 X 50, 8.8         | 2    |
| ▲    | 6 32483    | (000000-          | ) Washer, Flat, 0.25, Sae                 | 2    |
| ▲    | 7 08708    | (000000-          | ) Nut, Hex, Lock, M6 X 1.00, NI           | 2    |
| ▲    | 8 1072011  | (000000-          | ) Light, Led, 36vdc, 4.8d [Sealed Beam]   | 1    |
| ▲    | 50470      | (000000-          | ) Terminal, Qf, .25 16- 14ga, Blu, F- Ins | 2    |
| ▲    | 9 86377    | (000000-          | ) Contactor, 36vdc [Spco]                 | 1    |
| ▲    | 10 222290  | (000000-          | ) Diode, Ele, Plug                        | 1    |
| ▲    | 11 1075283 | (000000-          | ) Light, Strobe, Amb, 12- 48vdc [Led]     | 1    |
| ▲    | 12 06933   | (000000-          | ) Screw, Pan, Phl, M5 X 0.80 X 16, 4.8    | 2    |
| ▲    | 13 06549   | (000000-          | ) Nut, Hex, Lock, M5 X 0.80, NI           | 4    |
| ▲    | 14 19066   | (000000-          | ) Washer, Flat, 10                        | 4    |
| ▲    | 15 1049554 | (000000-          | ) Angle, Mtg, Alarm                       | 1    |
| ▲    | 16 32491   | (000000-          | ) Washer, Flat, 0.31, Std                 | 2    |
| ▲    | 17 08709   | (000000-          | ) Nut, Hex, Lock, M8 X 1.25, NI           | 2    |
| ▲    | 18 1049553 | (000000-          | ) Plate, Mtg, Light                       | 1    |
| ▲    | 19 1052474 | (000000-          | ) Harness, Alarm / Strobe, 36vdc [S20]    | 1    |
| ▲    | 20 1064185 | (000000-          | ) Circuitbreaker, 05.0a, Resetable        | 1    |
| ▲    | 21 1064191 | (000000-          | ) Boot, Circuitbreaker                    | 1    |
| ▲    | 22 1064184 | (000000-          | ) Circuitbreaker, 2.5a, Resetable         | 1    |
| ▲    | 23 386810  | (000000-          | ) Contactor, 36vdc, 100a, Sp, No          | 1    |
| ▲    | 24 09200   | (000000-          | ) Screw, Pan, Phl, M5 X 0.80 X 12, Ss     | 2    |
|      | 25 39807   | (000000- xxxxxx ) | Screw, Hex, .50- 13 X 0.75, G5            | 1    |
|      | 26 32486   | (000000- xxxxxx ) | Washer Flat,0.50,Sae                      | 1    |
|      | 27 72171   | (000000- 001489 ) | Alarm Assy, Backup, 12- 48vdc 82- 102dba  | 1    |
|      | 28 45391   | (000000- xxxxxx ) | Headlight, 36vdc, 60watt 1.7a             | 1    |

**Fig. 3 - Backup Alarm and Flashing Light Kit, Overhead Guard**

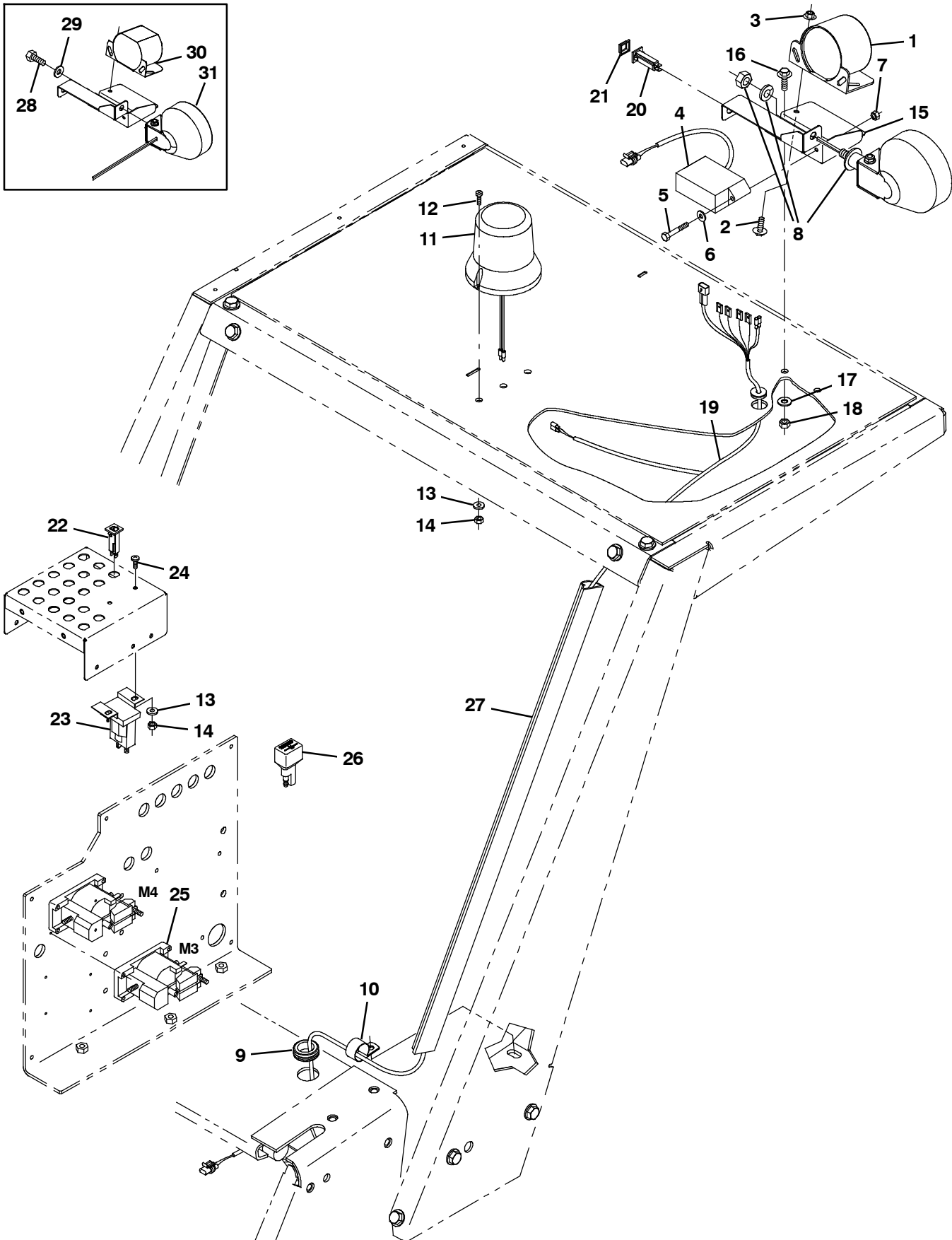


Fig. 3 - Backup Alarm and Flashing Light Kit, Overhead Guard

| Ref. | Part No.   | Serial Number     | Description                                | Qty. |
|------|------------|-------------------|--|------|
| ▽    | 9006316    | (000000-          | ) Alarm Kit, Backup, Flsh, Ohg, Ev, Ci     | 1    |
| ▲    | 1 9007131  | (001490-          | ) Alarm Assy, Backup, 12/48vdc             | 1    |
| ▲    | 2 1037346  | (000000-          | ) Screw, Hex, M8 X 1.25 X 25, 9.8, Sems    | 2    |
| ▲    | 3 07791    | (000000-          | ) Nut, Hex, Flng, M8 X 1.25                | 2    |
| ▲    | 4 72164    | (000000-          | ) Flasher, 12/48vdc 5a [6309/12- 48v]      | 1    |
| ▲    | 5 06949    | (000000-          | ) Screw, Hex, M6 X 1.00 X 50, 8.8          | 2    |
| ▲    | 6 32483    | (000000-          | ) Washer, Flat, 0.25, Sae                  | 2    |
| ▲    | 7 08708    | (000000-          | ) Nut, Hex, Lock, M6 X 1.00, NI            | 2    |
| ▲    | 8 1072011  | (000000-          | ) Light, Led, 36vdc, 4.8d [Sealed Beam]    | 1    |
| ▲    | 50470      | (000000-          | ) Terminal, Qf, .25 16- 14ga, Blu, F- Ins  | 2    |
| ▲    | 9 10632- 1 | (001292-          | ) Grommet, Rbr, 1.06id, F/1.4h, .19 Matl   | 1    |
| ▲    | 10 58366   | (001292-          | ) Clamp, Cable, Stl, 1.25d X 1.00w, 1hole  | 1    |
| ▲    | 11 1075283 | (000000-          | ) Light, Strobe, Amb, 12- 48vdc [Led]      | 1    |
| ▲    | 12 06933   | (000000-          | ) Screw, Pan, Phl, M5 X 0.80 X 16, 4.8     | 2    |
| ▲    | 13 19066   | (000000-          | ) Washer, Flat, 10                         | 4    |
| ▲    | 14 06549   | (000000-          | ) Nut, Hex, Lock, M5 X 0.80, NI            | 4    |
| ▲    | 15 1050046 | (000000-          | ) Bracket, Mtg, Horn                       | 1    |
| ▲    | 16 1020341 | (000000-          | ) Screw, Hex, M8 X 1.25 X 20, Ss, Sems     | 2    |
| ▲    | 17 32491   | (000000-          | ) Washer, Flat, 0.31, Std                  | 2    |
| ▲    | 18 08709   | (000000-          | ) Nut, Hex, Lock, M8 X 1.25, NI            | 2    |
| ▲    | 19 1052475 | (000000-          | ) Harness, Alarm / Strobe, Ohg, 36vdc[S20] | 1    |
| ▲    | 20 1064185 | (000000-          | ) Circuitbreaker, 05.0a, Resetable         | 1    |
| ▲    | 21 1064191 | (000000-          | ) Boot, Circuitbreaker                     | 1    |
| ▲    | 22 1064184 | (000000-          | ) Circuitbreaker, 2.5a, Resetable          | 1    |
| ▲    | 23 386810  | (000000-          | ) Contactor, 36vdc, 100a, Sp, No           | 1    |
| ▲    | 24 09200   | (000000-          | ) Screw, Pan, Phl, M5 X 0.80 X 12, Ss      | 2    |
| ▲    | 25 86377   | (000000-          | ) Contactor, 36vdc [Spco]                  | 1    |
| ▲    | 26 222290  | (000000-          | ) Diode, Ele, Plug                         | 1    |
| ▲    | 27 55034   | (000000-          | ) Duct, Vyl, 0.74 X 1.50 .75d Max 48.0l    | 1    |
| ▲    | 28 39807   | (000000- xxxxxx ) | Screw, Hex, .50- 13 X 0.75, G5             | 1    |
| ▲    | 29 32486   | (000000- xxxxxx ) | Washer Flat,0.50,Sae                       | 1    |
| ▲    | 30 72171   | (000000- 001489 ) | Alarm Assy, Backup, 12- 48vdc 82- 102dba   | 1    |
| ▲    | 31 45391   | (000000- xxxxxx ) | Headlight, 36vdc, 60watt 1.7a              | 1    |

**Fig. 4 - Backup Alarm and Strobe Light Kit, Overhead Guard**

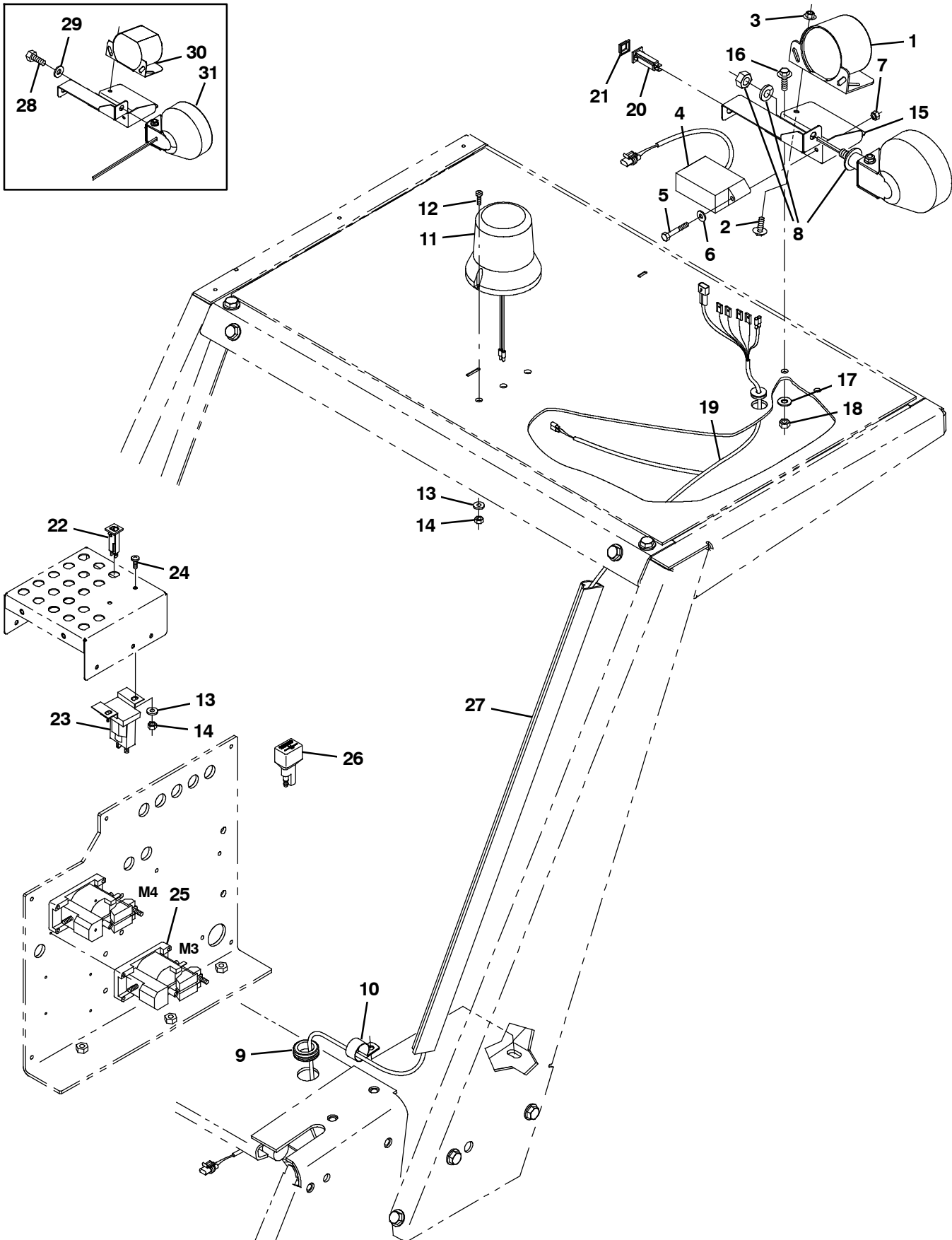
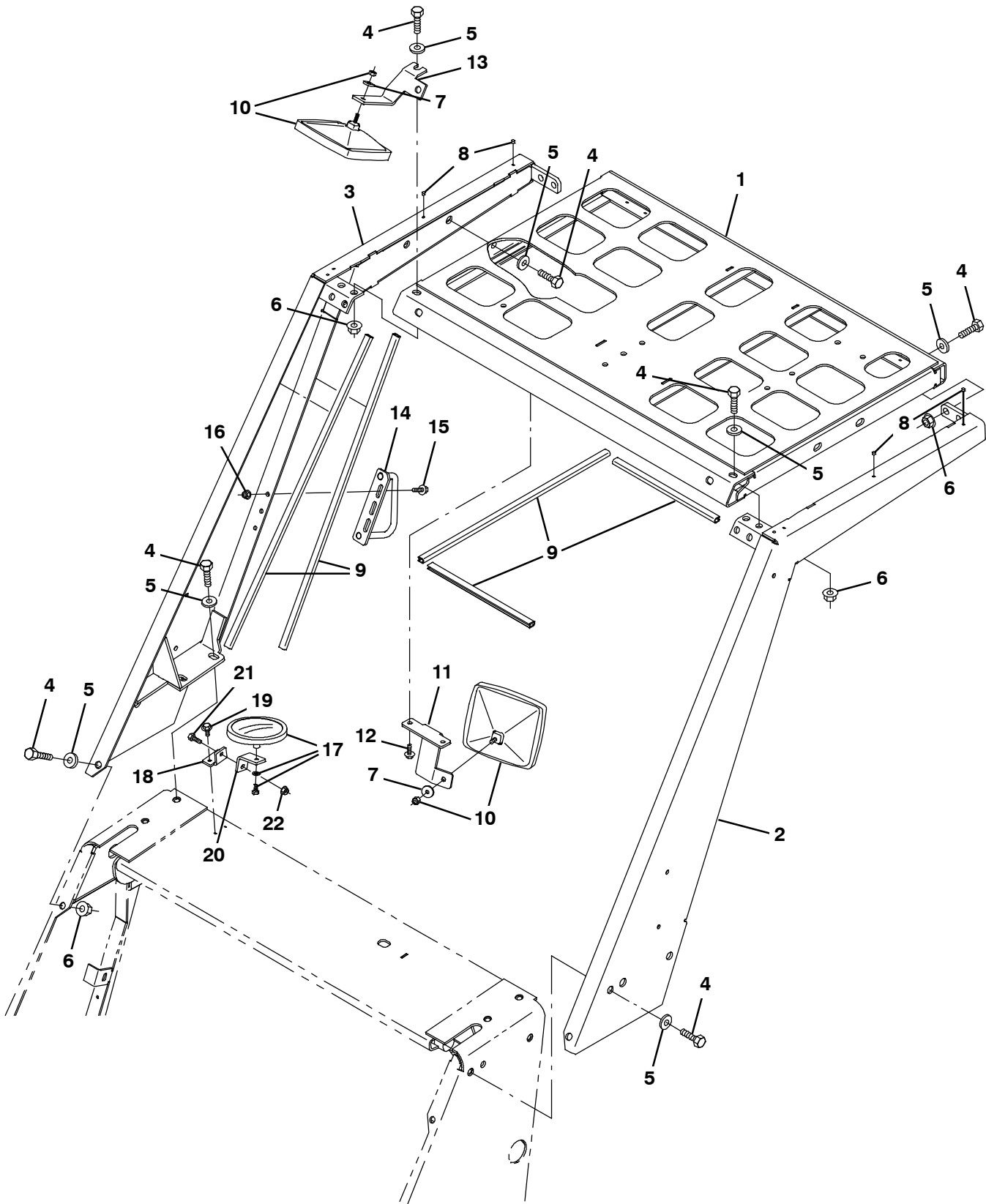


Fig. 4 - Backup Alarm and Strobe Light Kit, Overhead Guard

| Ref. | Part No.   | Serial Number     | Description                                | Qty. |
|------|------------|-------------------|--|------|
| ▽    | 9006318    | (000000-          | ) Alarm Kit, Backup, Strobe, Ohg, Ev, Ci   | 1    |
| ▲    | 1 9007131  | (001490-          | ) Alarm Assy, Backup, 12/48vdc             | 1    |
| ▲    | 2 1037346  | (000000-          | ) Screw, Hex, M8 X 1.25 X 25, 9.8, Sems    | 2    |
| ▲    | 3 07791    | (000000-          | ) Nut, Hex, Flng, M8 X 1.25                | 2    |
| ▲    | 4 72164    | (000000-          | ) Flasher, 12/48vdc 5a [6309/12- 48v]      | 1    |
| ▲    | 5 06949    | (000000-          | ) Screw, Hex, M6 X 1.00 X 50, 8.8          | 2    |
| ▲    | 6 32483    | (000000-          | ) Washer, Flat, 0.25, Sae                  | 2    |
| ▲    | 7 08708    | (000000-          | ) Nut, Hex, Lock, M6 X 1.00, NI            | 2    |
| ▲    | 8 1072011  | (000000-          | ) Light, Led, 36vdc, 4.8d [Sealed Beam]    | 1    |
| ▲    | 50470      | (000000-          | ) Terminal, Qf, .25 16- 14ga, Blu, F- Ins  | 2    |
| ▲    | 9 10632- 1 | (001292-          | ) Grommet, Rbr, 1.06id, F/1.4h, .19 Matl   | 1    |
| ▲    | 10 58366   | (001292-          | ) Clamp, Cable, Stl, 1.25d X 1.00w, 1hole  | 1    |
| ▲    | 11 1075283 | (000000-          | ) Light, Strobe, Amb, 12- 48vdc [Led]      | 1    |
| ▲    | 12 06933   | (000000-          | ) Screw, Pan, Phl, M5 X 0.80 X 16, 4.8     | 2    |
| ▲    | 13 19066   | (000000-          | ) Washer, Flat, 10                         | 4    |
| ▲    | 14 06549   | (000000-          | ) Nut, Hex, Lock, M5 X 0.80, NI            | 4    |
| ▲    | 15 1050046 | (000000-          | ) Bracket, Mtg, Horn                       | 1    |
| ▲    | 16 1020341 | (000000-          | ) Screw, Hex, M8 X 1.25 X 20, Ss, Sems     | 2    |
| ▲    | 17 32491   | (000000-          | ) Washer, Flat, 0.31, Std                  | 2    |
| ▲    | 18 08709   | (000000-          | ) Nut, Hex, Lock, M8 X 1.25, NI            | 2    |
| ▲    | 19 1052475 | (000000-          | ) Harness, Alarm / Strobe, Ohg, 36vdc[S20] | 1    |
| ▲    | 20 1064185 | (000000-          | ) Circuitbreaker, 05.0a, Resetable         | 1    |
| ▲    | 21 1064191 | (000000-          | ) Boot, Circuitbreaker                     | 1    |
| ▲    | 22 1064184 | (000000-          | ) Circuitbreaker, 2.5a, Resetable          | 1    |
| ▲    | 23 386810  | (000000-          | ) Contactor, 36vdc, 100a, Sp, No           | 1    |
| ▲    | 24 09200   | (000000-          | ) Screw, Pan, Phl, M5 X 0.80 X 12, Ss      | 2    |
| ▲    | 25 86377   | (000000-          | ) Contactor, 36vdc [Spco]                  | 1    |
| ▲    | 26 222290  | (000000-          | ) Diode, Ele, Plug                         | 1    |
| ▲    | 27 55034   | (000000-          | ) Duct, Vyl, 0.74 X 1.50 .75d Max 48.0l    | 1    |
| ▲    | 28 39807   | (000000- xxxxxx ) | Screw, Hex, .50- 13 X 0.75, G5             | 1    |
| ▲    | 29 32486   | (000000- xxxxxx ) | Washer Flat,0.50,Sae                       | 1    |
| ▲    | 30 72171   | (000000- 001489 ) | Alarm Assy, Backup, 12- 48vdc 82- 102dba   | 1    |
| ▲    | 31 45391   | (000000- xxxxxx ) | Headlight, 36vdc, 60watt 1.7a              | 1    |

Fig. 5 - Overhead Guard Kit



**Fig. 5 - Overhead Guard Kit**

|   | <b>Ref.</b> | <b>Part No.</b> | <b>Serial Number</b> | <b>Description</b>                         | <b>Qty.</b> |
|---|-------------|-----------------|----------------------|--|-------------|
| ▽ |             | 9006015         | (000000-             | ) Ohg Kit, Ci [S20]                        | 1           |
| ▲ | 1           | 1057585         | (000000-             | ) Panel Wldt, Top, Ohg                     | 1           |
| ▲ | 2           | 1047704         | (000000-             | ) Channel Wldt, Ohg, Lh                    | 1           |
| ▲ | 3           | 1047705         | (000000-             | ) Channel Wldt, Ohg, Rh                    | 1           |
| ▲ | 4           | 41346           | (000000-             | ) Screw, Hex, M12 X 1.75 X 30, 8.8         | 22          |
| ▲ | 5           | 32486           | (000000-             | ) Washer Flat,0.50,Sae                     | 22          |
| ▲ | 6           | 07793           | (000000-             | ) Nut, Hex, FIng, M12 X 1.75               | 10          |
| ▲ | 7           | 32491           | (000000-             | ) Washer, Flat, 0.31, Std                  | 2           |
| ▲ | 8           | 379000          | (000000-             | ) Plug, Hole, Rnd, 0.22H .00- .06, Blk Nyl | 4           |
| ▲ | 9           | 1046406         | (000000-             | ) Molding, Afmkt, Trim, Pvc, .18 .31, 08Ft | 1           |
| ▲ | 10          | 49034           | (000000-             | ) Mirror, Convex, 06.7 X 06.2              | 2           |
| ▲ | 11          | 1047480         | (000000-             | ) Bracket, Mtg, Mirror                     | 1           |
| ▲ | 12          | 763045          | (000000-             | ) Screw, Hex, M8 X 1.25 X 20, Fmg          | 2           |
| ▲ | 13          | 1049992         | (000000-             | ) Bracket, Mtg, Mirror, Top                | 1           |
| ▲ | 14          | 1055757         | (000000-             | ) Handle Wldt, Door                        | 1           |
| ▲ | 15          | 1037354         | (000000-             | ) Screw, Hex, M8 X 1.25 X 30, 9.8, Sems    | 3           |
| ▲ | 16          | 07791           | (000000-             | ) Nut, Hex, FIng, M8 X 1.25                | 3           |
| ▲ | 17          | 1053233         | (000000-             | ) Mirror, Flat, 05.0d                      | 1           |
| ▲ | 18          | 1049990         | (000000-             | ) Bracket, Mtg, Mirror, Brush              | 1           |
| ▲ | 19          | 361339          | (000000-             | ) Screw, Hex, M6 X 1.00 X 16, Fmg          | 2           |
| ▲ | 20          | 1049991         | (000000-             | ) Bracket, Mtg, Mirror, Brush              | 1           |
| ▲ | 21          | 06943           | (000000-             | ) Screw, Hex, M6 X 1.00 X 20, 8.8          | 1           |
| ▲ | 22          | 08708           | (000000-             | ) Nut, Hex, Lock, M6 X 1.00, NI            | 1           |

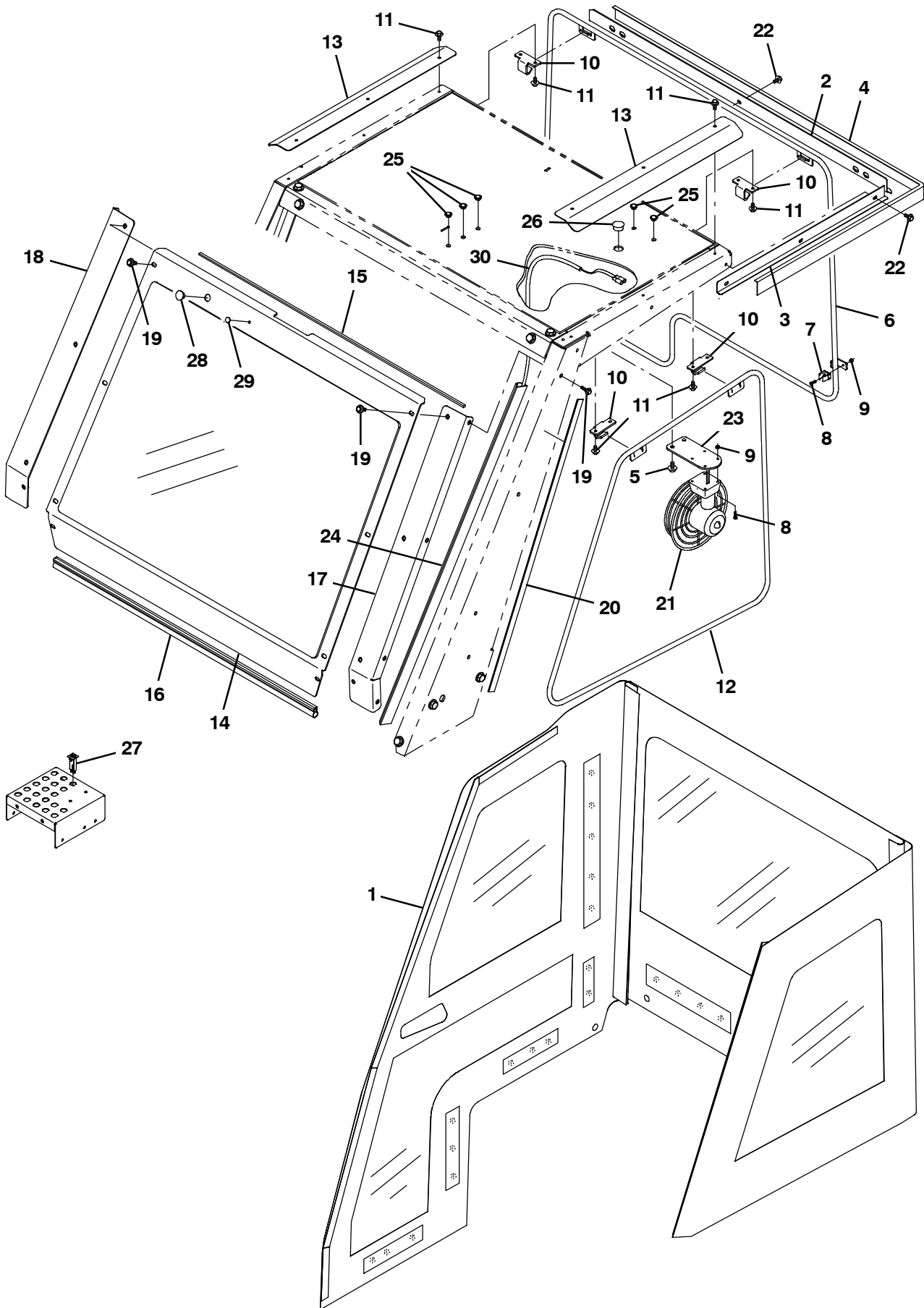


**Fig. 6 - Cab Overhead Guard Group**

*NOTE: Cab Kit (including OHG), Tennant Part Number 9006304, includes; Fig. 6, Fig. 7 and Fig. 8.*

| <b>Ref.</b> | <b>Part No.</b> | <b>Serial Number</b> | <b>Description</b>                         | <b>Qty.</b> |
|-------------|-----------------|----------------------|--|-------------|
| 1           | 1044075         | (000000-             | ) Panel Wldt, Top, Ohg                     | 1           |
| 2           | 1047704         | (000000-             | ) Channel Wldt, Ohg, Lh                    | 1           |
| 3           | 1047705         | (000000-             | ) Channel Wldt, Ohg, Rh                    | 1           |
| 4           | 41346           | (000000-             | ) Screw, Hex, M12 X 1.75 X 30, 8.8         | 22          |
| 5           | 32486           | (000000-             | ) Washer Flat,0.50,Sae                     | 22          |
| 6           | 07793           | (000000-             | ) Nut, Hex, Fing, M12 X 1.75               | 10          |
| 7           | 1049937         | (000000-             | ) Insulation, Acstc                        | 2           |
| 8           | 1049938         | (000000-             | ) Insulation, Acstc                        | 1           |
| 9           | 1046406         | (000000-             | ) Molding, Afmkt, Trim, Pvc, .18 .31, 08Ft | 1           |
| 10          | 49034           | (000000-             | ) Mirror, Convex, 06.7 X 06.2              | 2           |
| 11          | 1047480         | (000000-             | ) Bracket, Mtg, Mirror                     | 1           |
| 12          | 763045          | (000000-             | ) Screw, Hex, M8 X 1.25 X 20, Fmg          | 2           |
| 13          | 1049992         | (000000-             | ) Bracket, Mtg, Mirror, Top                | 1           |
| 14          | 1055757         | (000000-             | ) Handle Wldt, Door                        | 1           |
| 15          | 1037354         | (000000-             | ) Screw, Hex, M8 X 1.25 X 30, 9.8, Sems    | 3           |
| 16          | 07791           | (000000-             | ) Nut, Hex, Fing, M8 X 1.25                | 3           |
| 17          | 1053233         | (000000-             | ) Mirror, Flat, 05.0d                      | 1           |
| 18          | 1049990         | (000000-             | ) Bracket, Mtg, Mirror, Brush              | 1           |
| 19          | 361339          | (000000-             | ) Screw, Hex, M6 X 1.00 X 16, Fmg          | 2           |
| 20          | 1049991         | (000000-             | ) Bracket, Mtg, Mirror, Brush              | 1           |
| 21          | 06943           | (000000-             | ) Screw, Hex, M6 X 1.00 X 20, 8.8          | 1           |
| 22          | 08708           | (000000-             | ) Nut, Hex, Lock, M6 X 1.00, NI            | 1           |
| 23          | 32491           | (000000-             | ) Washer, Flat, 0.31, Std                  | 2           |
| 24          | 379000          | (000000-             | ) Plug, Hole, Rnd, 0.22H .00- .06, Blk Nyl | 4           |

Fig. 7 - Cab Frame and Windows Group



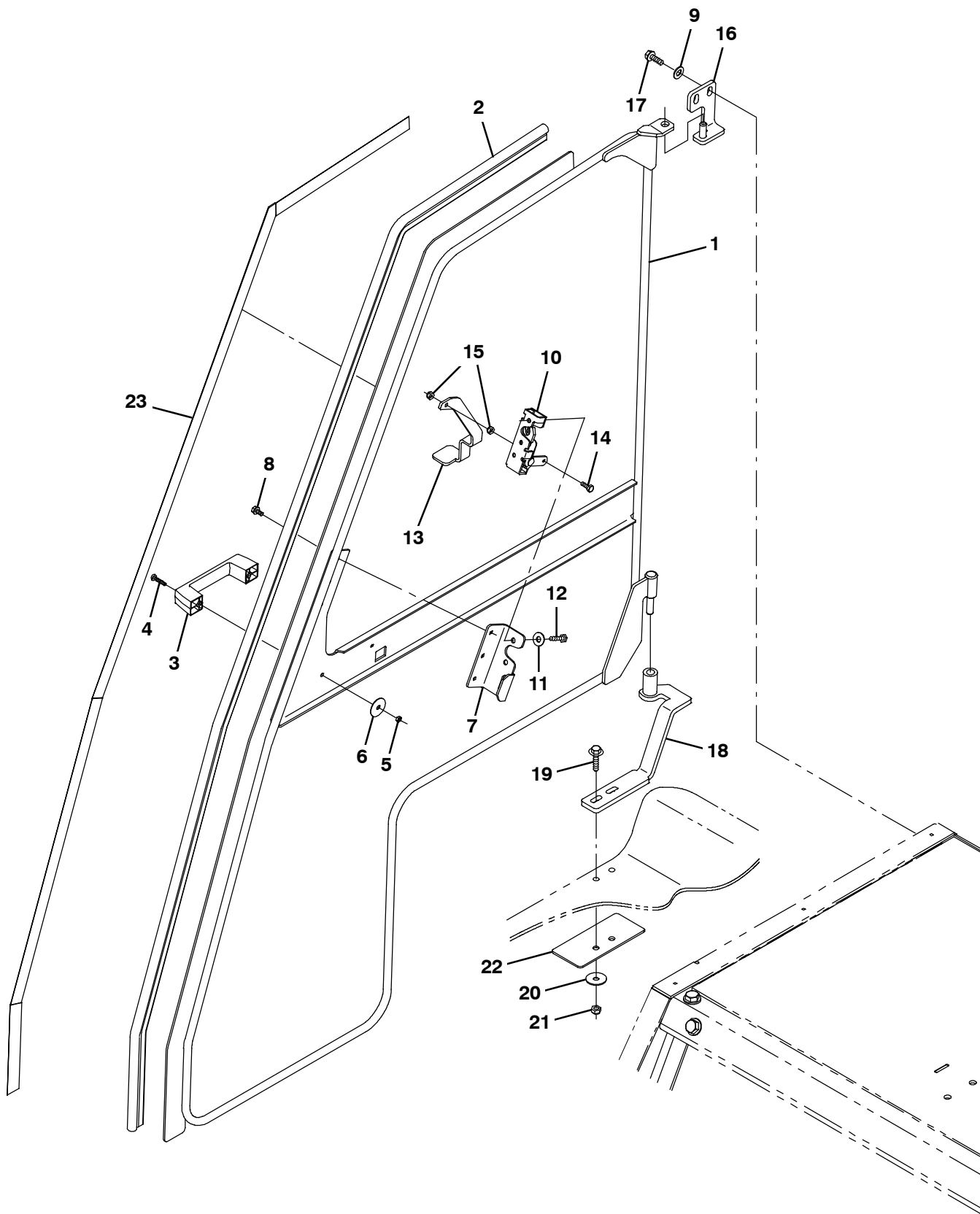
**Fig. 7 - Cab Frame and Windows Group**

NOTE: Cab Kit (For machines equipped with OHG), Tennant Part Number 9006308, includes; Fig. 7 and Fig. 8.

NOTE: Cab Kit (including OHG), Tennant Part Number 9006306, includes; Fig. 6, Fig. 7 and Fig. 8.

| Ref. | Part No. | Serial Number | Description                                 | Qty. |
|------|----------|---------------|---|------|
| 1    | 1049702  | (000000-      | ) Panel Assy, Cab                           | 1    |
| 2    | 1064550  | (001966-      | ) Angle, Cab, Rear [Drip Ledge, S20]        | 1    |
| 3    | 1064551  | (001966-      | ) Angle, Cab, Side [Drip Ledge, S20]        | 1    |
| 4    | 312584   | (001966-      | ) Seal, Lip [76038ddur]                     | 1    |
| 5    | 763045   | (000000-      | ) Screw, Hex, M8 X 1.25 X 20, Fmg           | 2    |
| 6    | 1047690  | (000000-      | ) Panel Wldt, Frame, Rear                   | 1    |
| 7    | 1047592  | (000000-      | ) Clip, Grip, Pipe, 0.50, Plstc             | 1    |
| 8    | 06927    | (000000-      | ) Screw, Pan, Phl, M4 X 0.70 X 16, 4.8      | 5    |
| 9    | 02850    | (000000-      | ) Nut, Hex, Lock, M4 X 0.70, NI             | 4    |
| 10   | 1047653  | (000000-      | ) Bracket, Mtg, Panel, Cab                  | 4    |
| 11   | 361339   | (000000-      | ) Screw, Hex, M6 X 1.00 X 16, Fmg           | 14   |
| 12   | 1047456  | (000000-      | ) Panel Wldt, Frame, Cab                    | 1    |
| 13   | 1047706  | (000000-      | ) Plate, Shield, Top                        | 2    |
| 14   | 1048849  | (000000-      | ) Pane Assy, Windshield                     | 1    |
| 15   | 1055606  | (000000-      | ) Seal, .19, .25w 39.2l, Adh                | 1    |
| 16   | 1031617  | (000000-      | ) Seal, Afrmkt, Bulb, Str, .75d F/07ga 08ft | 1    |
| 17   | 1045567  | (000000-      | ) Angle, Mtg, Wndw, Lh                      | 1    |
| 18   | 1045569  | (000000-      | ) Angle, Mtg, Wndw, Rh                      | 1    |
| 19   | 1037346  | (000000-      | ) Screw, Hex, M8 X 1.25 X 25, 9.8, Sems     | 16   |
| 20   | 314012   | (000000-      | ) Tape, Hook, 1.0w [Velcro]                 | 1    |
| 21   | 1050255  | (000000-      | ) Fan, Defroster, 36vdc, 07.9d              | 1    |
| 22   | 361339   | (001966-      | ) Screw, Hex, M6 X 1.00 X 16, Fmg           | 4    |
| 23   | 1050266  | (000000-      | ) Bracket, Mtg, Fan, Ev                     | 1    |
| 24   | 55034    | (000000-      | ) Duct, Vyl, 0.74 X 1.50 .75d Max 48.0l     | 1    |
| 25   | 361346   | (000000-      | ) Plug, Hole, Rnd, 0.38h .3l, Plstc         | 5    |
| 26   | 1053385  | (000000-      | ) Plug, Hole, Rnd, 1.00h .14- .25, Blk Nyl  | 1    |
| 27   | 1064184  | (000000-      | ) Circuitbreaker, 2.5a, Resetable           | 1    |
| 28   | 75428    | (000000-      | ) Plug, Hole, Rnd, 0.75h .03- .12, Blk Nyl  | 1    |
| 29   | 1054368  | (000000-      | ) Plug, Hole, Rnd, 0.25h .03- .12, Blk Nyl  | 1    |
| 30   | 1050162  | (000000-      | ) Harness, Fan, Ic [S20]                    | 1    |

Fig. 8 - Cab Door Group



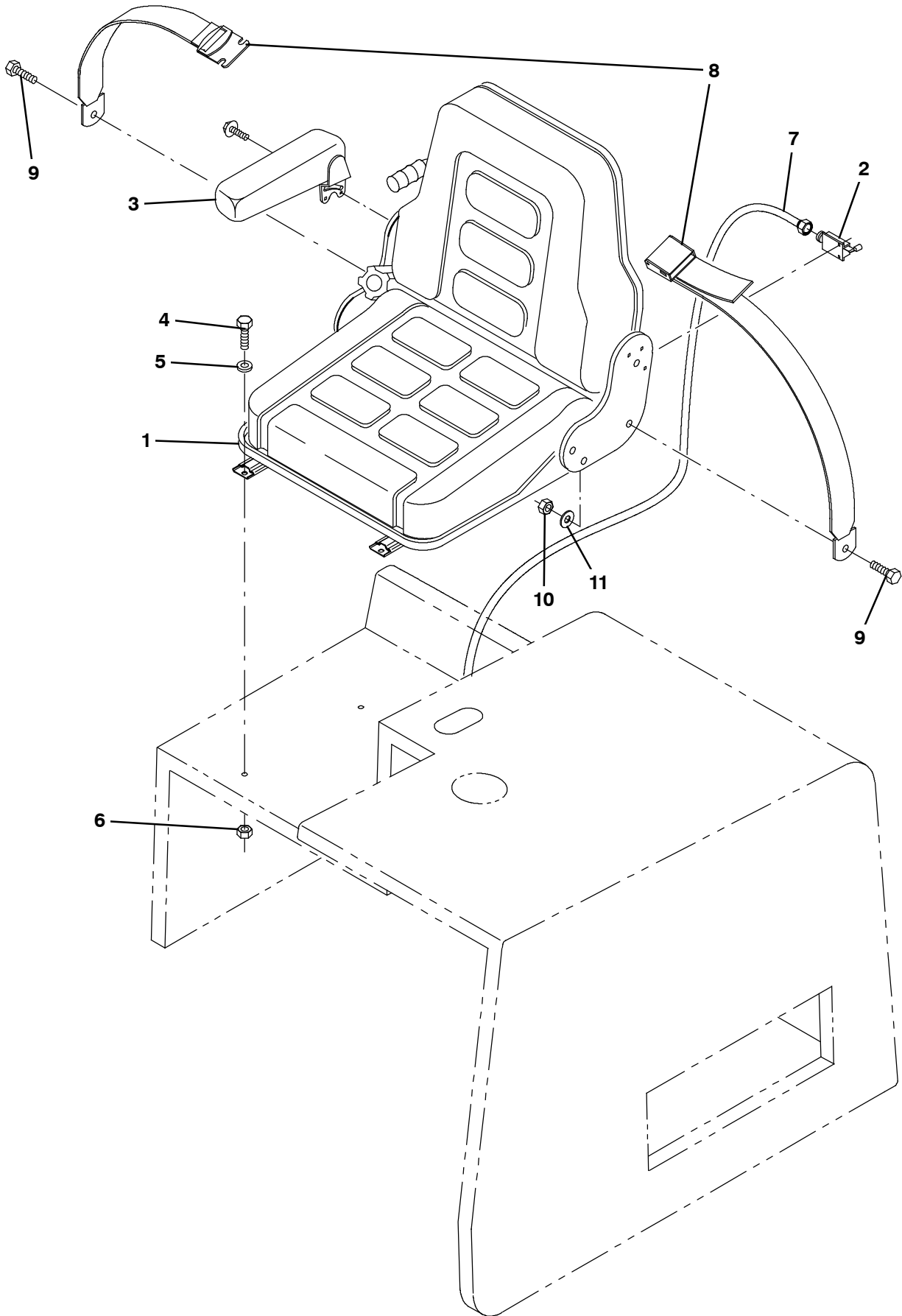
**Fig. 8 - Cab Door Group**

*NOTE: Cab Kit (For machines equipped with OHG), Tennant Part Number 9006308, includes; Fig. 7 and Fig. 8.*

*NOTE: Cab Kit (including OHG), Tennant Part Number 9006306, includes; Fig. 6, Fig. 7 and Fig. 8.*

| <b>Ref.</b> | <b>Part No.</b> | <b>Serial Number</b> | <b>Description</b>                      | <b>Qty.</b> |
|-------------|-----------------|----------------------|---|-------------|
| 1           | 1045404         | (000000-             | ) Door Wldt, Cab                        | 1           |
| 2           | 1048166         | (000000-             | ) Seal, Afmkt, Bulb, Str, 0.58D 08Ft    | 1           |
| 3           | 1023920         | (000000-             | ) Handle, Door                          | 1           |
| 4           | 06935           | (000000-             | ) Screw, Pan, Phl, M5 X 0.80 X 25, 4.8  | 2           |
| 5           | 06549           | (000000-             | ) Nut, Hex, Lock, M5 X 0.80, NI         | 2           |
| 6           | 41178           | (000000-             | ) Washer, Flat, 0.25, Fendr             | 4           |
| 7           | 1052808         | (000000-             | ) Angle, Mtg, Latch                     | 1           |
| 8           | 74455           | (000000-             | ) Screw, Hex, M6 X 1.00 X 12, Fmg       | 3           |
| 9           | 32485           | (000000-             | ) Washer, Flat, 0.38, Sae               | 3           |
| 10          | 59661           | (000000-             | ) Latch                                 | 1           |
| 11          | 41186           | (000000-             | ) Washer, Flat, Belleville, .31         | 2           |
| 12          | 25046           | (000000-             | ) Screw, Hex, .25- 20 X 1.00, G5        | 2           |
| 13          | 1053068         | (000000-             | ) Bracket, Latch, Door                  | 1           |
| 14          | 06942           | (000000-             | ) Screw, Hex, M6 X 1.00 X 16, 8.8       | 1           |
| 15          | 08708           | (000000-             | ) Nut, Hex, Lock, M6 X 1.00, NI         | 2           |
| 16          | 1049687         | (000000-             | ) Angle Wldt, Mtg, Door                 | 1           |
| 17          | 763045          | (000000-             | ) Screw, Hex, M8 X 1.25 X 20, Fmg       | 2           |
| 18          | 1047728         | (000000-             | ) Bracket Wldt, Mtg, Door               | 1           |
| 19          | 1037355         | (000000-             | ) Screw, Hex, M8 X 1.25 X 35, 9.8, Sems | 2           |
| 20          | 30013           | (000000-             | ) Washer, Flat, 0.31, Fendr             | 2           |
| 21          | 08709           | (000000-             | ) Nut, Hex, Lock, M8 X 1.25, NI         | 2           |
| 22          | 1048161         | (000000-             | ) Plate, Sppt, Hinge                    | 1           |
| 23          | 314012          | (000000-             | ) Tape, Hook, 1.0w [Velcro]             | 1           |

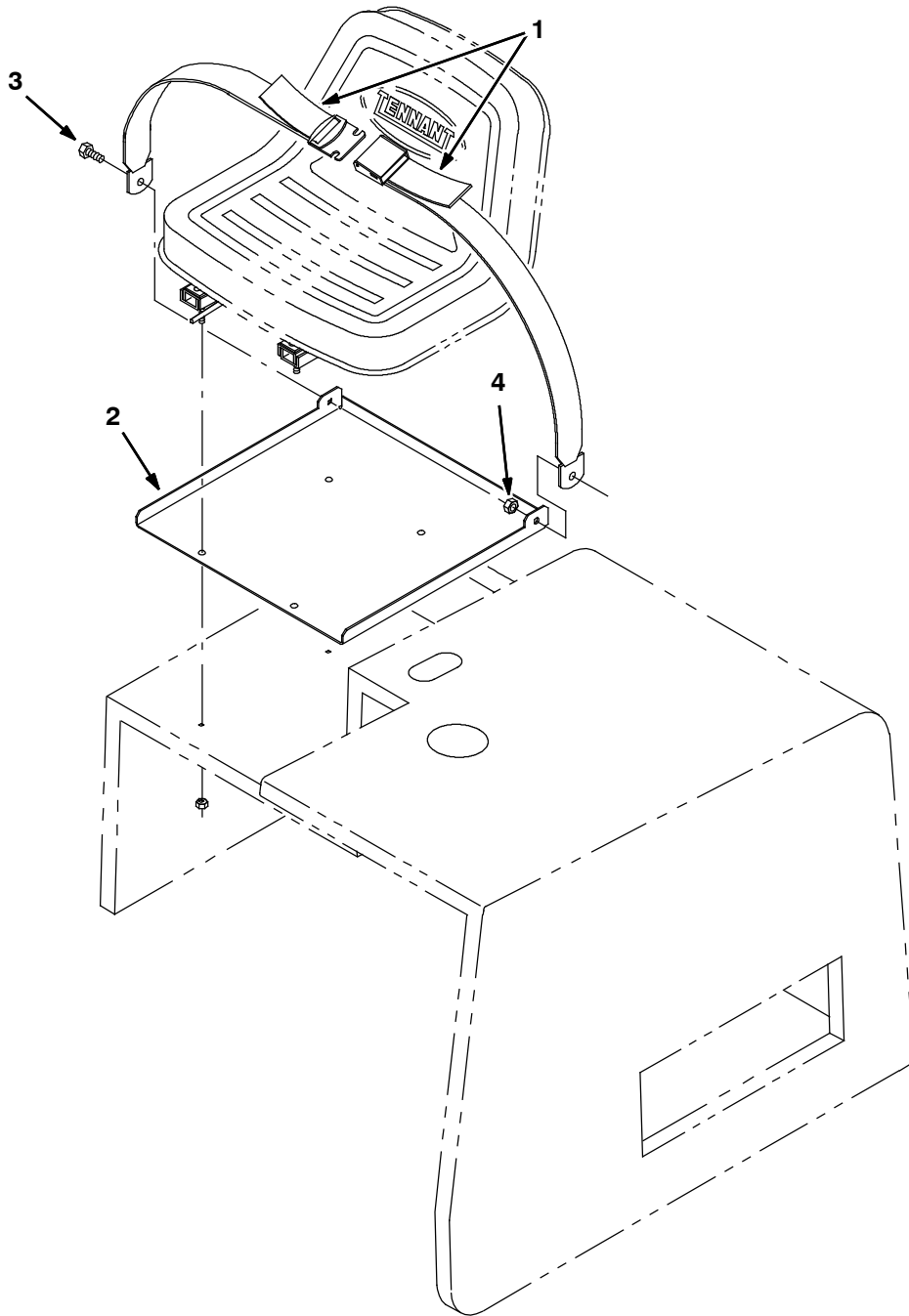
Fig. 9 - Deluxe Suspension Seat Kit



**Fig. 9 - Deluxe Suspension Seat Kit**

|   | <b>Ref.</b> | <b>Part No.</b> | <b>Serial Number</b> | <b>Description</b>                    | <b>Qty.</b> |
|---|-------------|-----------------|----------------------|---------------------------------------|-------------|
| ▽ |             | 9006029         | (000000-             | ) Seat Kit, Dlx, Ci [S20]             | 1           |
| ▲ | 1           | 1056543         | (000000-             | ) Seat, Suspension [Grammer Gs12]     | 1           |
| ▲ | 2           | 69971           | (000000-             | ) Switch, Seat                        | 1           |
| ▲ | 3           | 71477           | (000000-             | ) Armrest Assy, Rh, F/53845 [Grammer] | 1           |
| ▲ | 4           | 41342           | (000000-             | ) Screw, Hex, M8 X 1.25 X 40, 8.8     | 4           |
| ▲ | 5           | 32490           | (000000-             | ) Washer, Flat, 0.25, Std             | 4           |
| ▲ | 6           | 08709           | (000000-             | ) Nut, Hex, Lock, M8 X 1.25, NI       | 4           |
| ▲ | 7           | 1056539         | (000000-             | ) Harness, Seat [S20]                 | 1           |
| ▲ | 8           | 30533           | (000000-             | ) Seatbelt, 60.0l                     | 1           |
| ▲ | 9           | 39283           | (000000-             | ) Screw, Hex, M10 X 1.50 X 25, 8.8    | 2           |
| ▲ | 10          | 41430           | (000000-             | ) Nut, Hex, Lock, M10 X 1.5, NI       | 2           |
| ▲ | 11          | 32490           | (000000-             | ) Washer, Flat, 0.25, Std             | 2           |

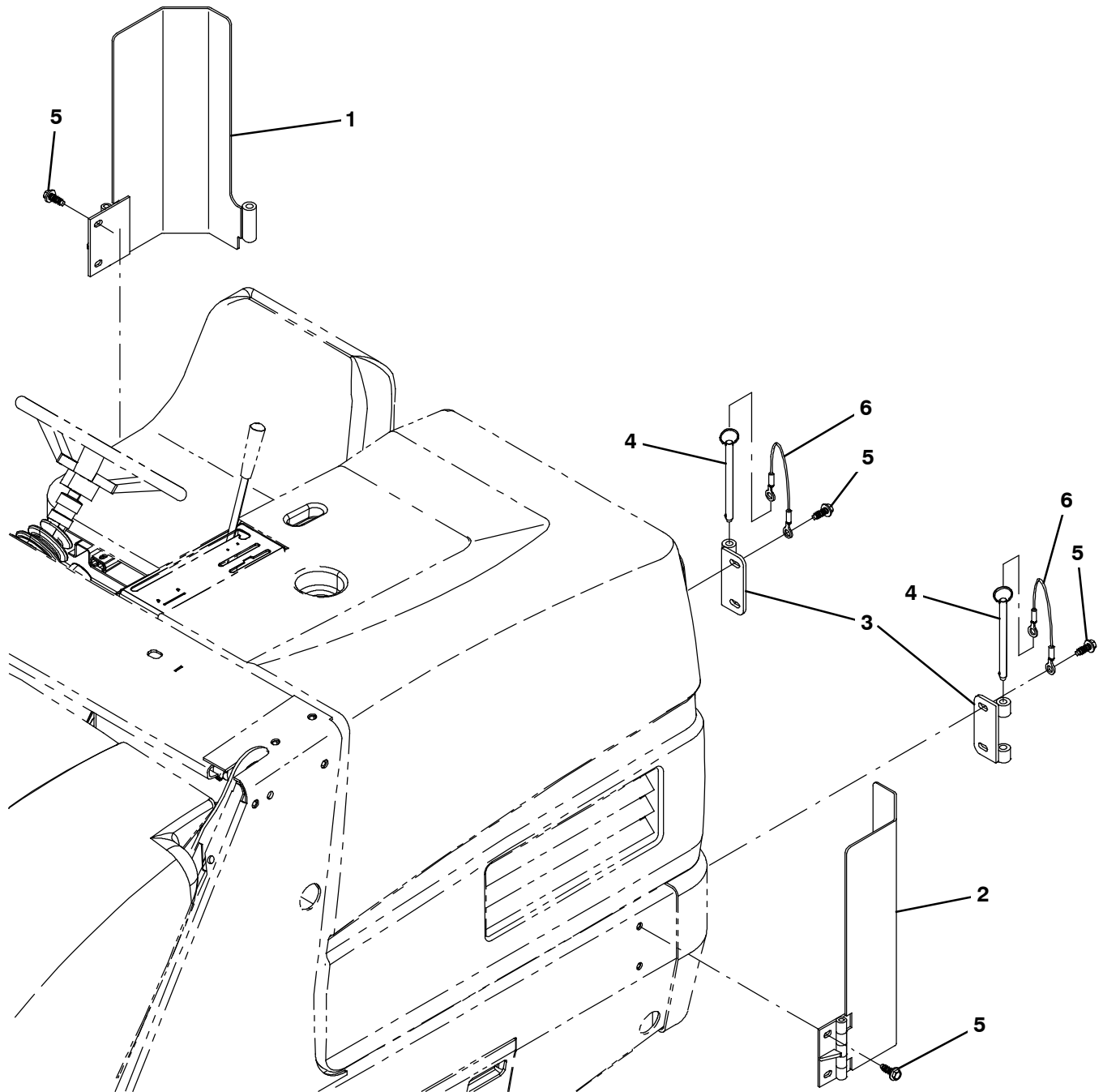
**Fig. 10 - Seat Belt Kit**



350033 - ALL

| Ref. | Part No. | Serial Number | Description                        | Qty. |
|------|----------|---------------|------------------------------------|------|
| ▽    | 360932   | (000000-      | ) Seatbelt Kit, Ci [6400]          | 1    |
| ▲    | 1 30533  | (000000-      | ) Seatbelt, 60.0l                  | 1    |
| ▲    | 2 360630 | (000000-      | ) Plate, Mtg, Seatbelt             | 1    |
| ▲    | 3 06961  | (000000-      | ) Screw, Hex, M10 X 1.50 X 20, 8.8 | 2    |
| ▲    | 4 41430  | (000000-      | ) Nut, Hex, Lock, M10 X 1.5, NI    | 2    |

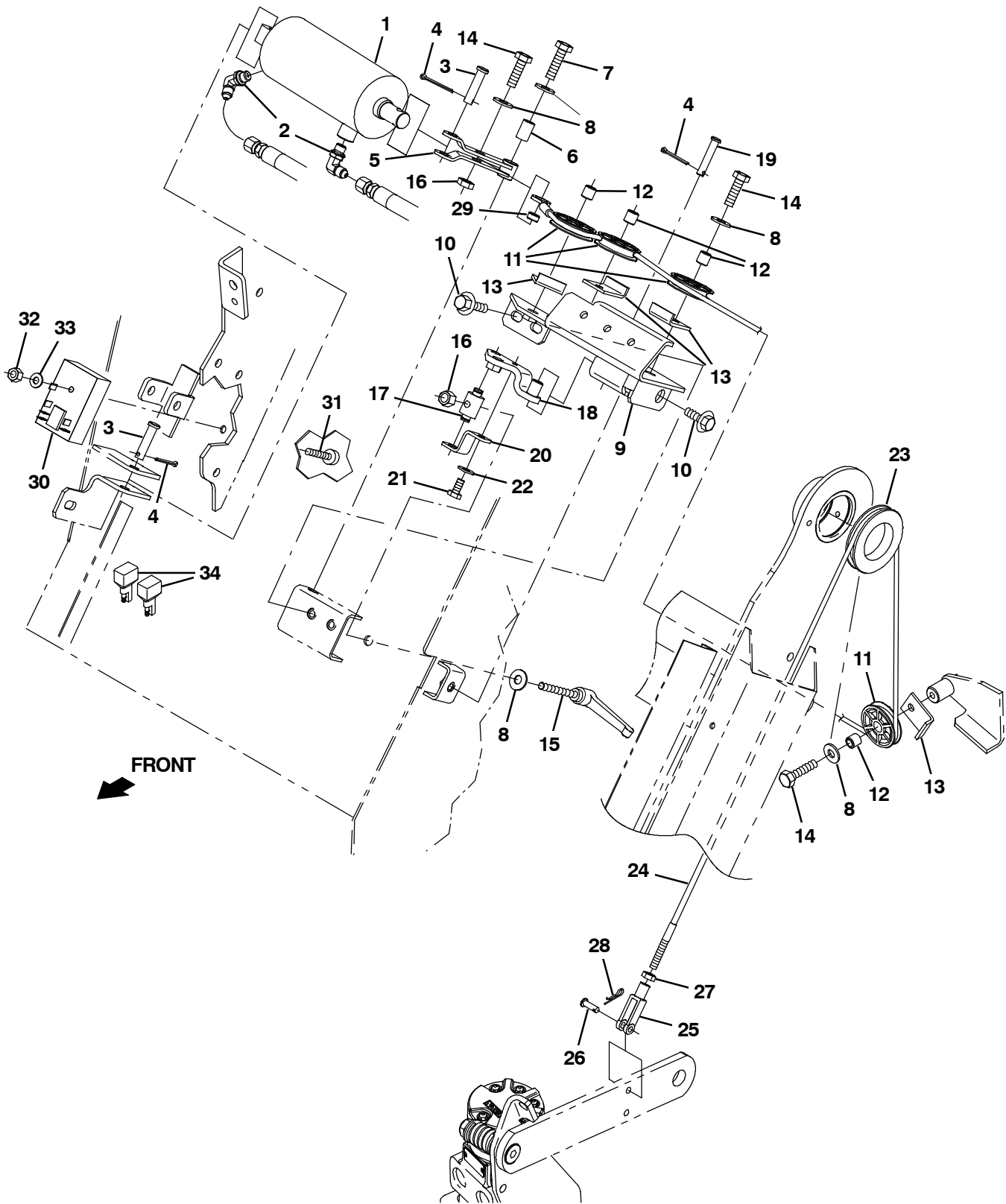
Fig. 11 - Corner Bumper Kit



354973 - ALL

| Ref. | Part No.  | Serial Number | Description                              | Qty. |
|------|-----------|---------------|--|------|
| ▽    | 9006021   | (000000-      | ) Bumper Kit, Corner, Rear, Ci [S20]     | 1    |
| ▲    | 1 1047115 | (000000-      | ) Angle Wldt, Bmpr, Tower, Rh            | 1    |
| ▲    | 2 1047116 | (000000-      | ) Angle Wldt, Bmpr, Tower, Lh            | 1    |
| ▲    | 3 1048408 | (000000-      | ) Bracket Wldt, Mtg, Bmpr                | 2    |
| ▲    | 4 1043176 | (000000-      | ) Pin, Hitch, .500d X 6.00l, Pl          | 2    |
| ▲    | 5 1037358 | (000000-      | ) Screw, Hex, M10 X 1.50 X 35, 9.8, Sems | 8    |
| ▲    | 6 87172   | (000000-      | ) Cable, Glv .13d 010.0l .52eye /.52eye  | 2    |

**Fig. 12 - Dual Side Brush Lift Group, LH**

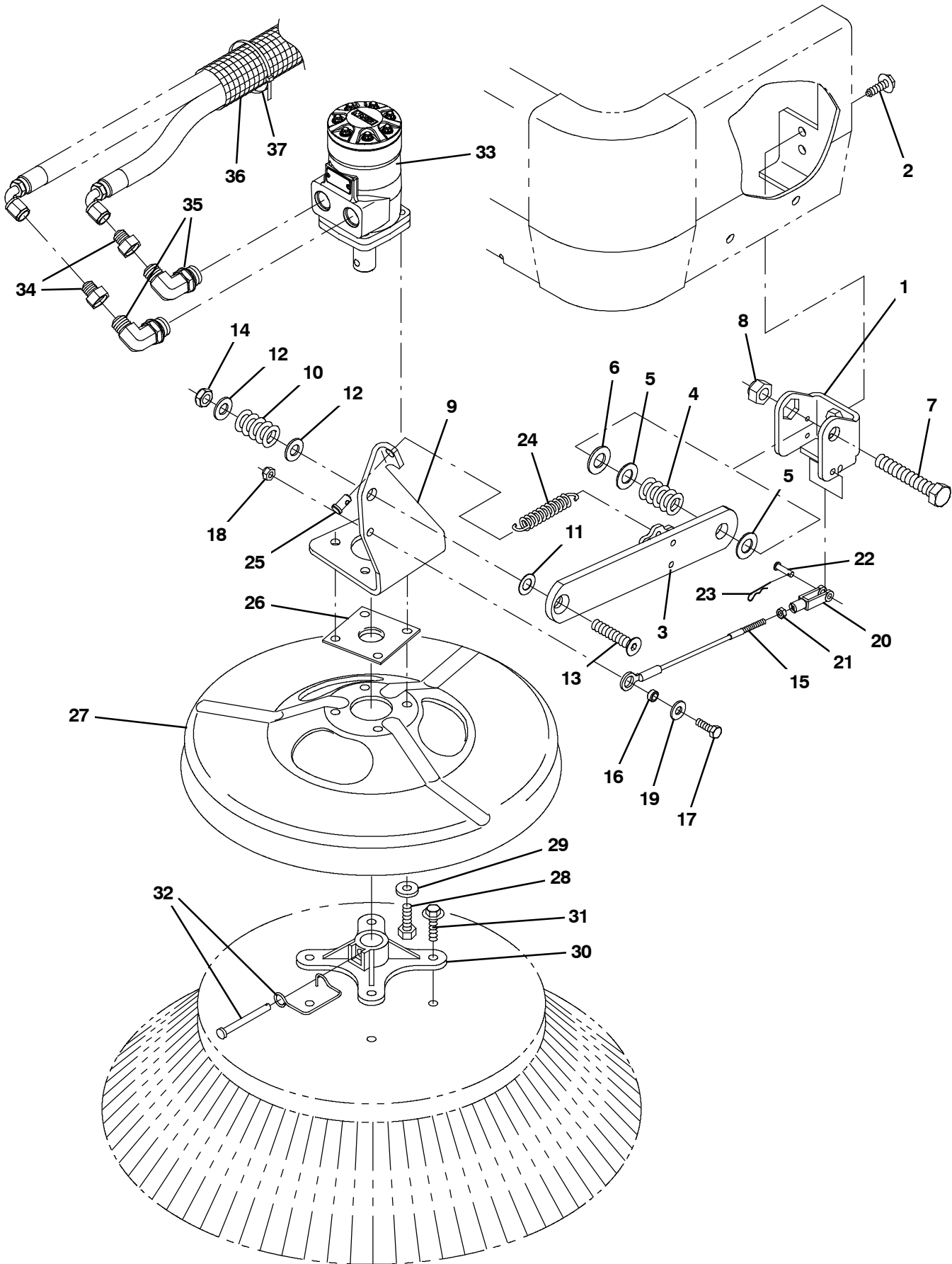


**Fig. 12 - Dual Side Brush Lift Group, LH**

NOTE: Dual Side Brush Kit, Tennant Part Number 9006041, includes; Fig. 12, Fig. 13, Fig. 14, Fig. 15 and Fig. 16.

| Ref. | Part No. | Serial Number   | Description                                | Qty. |
|------|----------|-----------------|--|------|
| 1    | 1048556  | (000000-        | ) Cyl, Hyd, 2.5b 9.0l 01.50strk, 2500      | 1    |
| 2    | 77097    | (000000- 002999 | ) Fitting, Hyd, E90, Jm04/Om04             | 2    |
| 2    | 762427   | (003000-        | ) Fitting, Hyd, E90, Fm04/Om04             | 2    |
| 3    | 29558    | (000000-        | ) Pin, Clevis, 0.37d X 1.50l               | 2    |
| 4    | 08175    | (000000-        | ) Pin, Cotter, .125 X 1.25                 | 3    |
| 5    | 1045647  | (000000-        | ) Pivot Wldt                               | 1    |
| 6    | 51562    | (000000-        | ) Tube, 0.33id 0.51od 00.8l, Stl, Pl       | 1    |
| 7    | 06955    | (000000-        | ) Screw, Hex, M8 X 1.25 X 35, 8.8          | 1    |
| 8    | 32491    | (000000-        | ) Washer, Flat, 0.31, Std                  | 7    |
| 9    | 1045563  | (000000-        | ) Plate Wldt                               | 1    |
| 10   | 1037346  | (000000-        | ) Screw, Hex, M8 X 1.25 X 25, 9.8, Sems    | 3    |
| 11   | 369781   | (000000-        | ) Pulley, Cable, 1.5d Nyl                  | 4    |
| 12   | 222460   | (000000-        | ) Sleeve, P/M, 0.32b 0.50d 0.5l [430ss]    | 4    |
| 13   | 54400    | (000000-        | ) Bracket, Angle, Keeper, Cable            | 4    |
| 14   | 76570    | (000000-        | ) Screw, Hex, M8 X 1.25 X 30, 8.8          | 5    |
| 15   | 360414   | (000000-        | ) Lever, Adj, Metal                        | 1    |
| 16   | 08709    | (000000-        | ) Nut, Hex, Lock, M8 X 1.25, NI            | 2    |
| 17   | 71126    | (000000-        | ) Block, Adj, Pivot                        | 1    |
| 18   | 1045571  | (000000-        | ) Pivot Wldt, Sba                          | 1    |
| 19   | 397249   | (000000-        | ) Pin, Clevis, 0.31d X 1.62l               | 1    |
| 20   | 1045475  | (000000-        | ) Angle, Bottom                            | 1    |
| 21   | 06941    | (000000-        | ) Screw, Hex, M6 X 1.00 X 10, 8.8          | 1    |
| 22   | 32490    | (000000-        | ) Washer, Flat, 0.25, Std                  | 1    |
| 23   | 360077   | (000000-        | ) Pulley, Cable, 3.0d 1.76b, .25d Cable    | 1    |
| 24   | 1046498  | (000000-        | ) Cable, Ss .12d 89.0l .55eye / M6- 1.0    | 1    |
| 25   | 1035826  | (000000-        | ) Clevis, Adj, M6 Pin, M6 X 1.0 Rh, Pl     | 1    |
| 26   | 14605    | (000000-        | ) Pin, Clevis, 0.25d X 0.75l               | 1    |
| 27   | 07785    | (000000-        | ) Nut, Hex, Std, M6 X 1.00, Ss             | 1    |
| 28   | 08085    | (000000-        | ) Pin, Cotter, Hair, 0.31D .058 Wir        | 1    |
| 29   | 360801   | (000000-        | ) Sleeve, 0.32b 0.50d 0.3l, 2cham, Ss      | 1    |
| 30   | 1046038  | (000000-        | ) Timer, 36vdc, 10a [Left Hand Side Brush] | 1    |
| 31   | 32747    | (000000-        | ) Screw, Pan, Phl, M6 X 1.00 X 40, Ss      | 1    |
| 32   | 08708    | (000000-        | ) Nut, Hex, Lock, M6 X 1.00, NI            | 1    |
| 33   | 32483    | (000000-        | ) Washer, Flat, 0.25, Sae                  | 1    |
| 34   | 222290   | (000000-        | ) Diode, Ele, Plug                         | 2    |

Fig. 13 - Dual Side Brush Motor and Pivot Group, LH

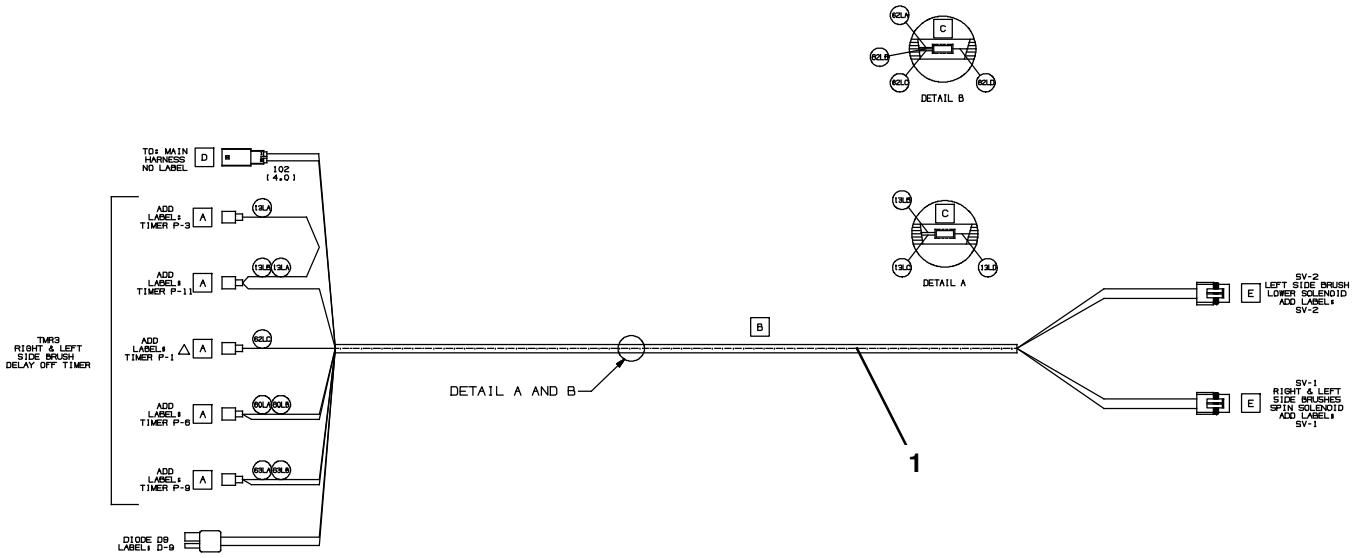


**Fig. 13 - Dual Side Brush Motor and Pivot Group, LH**

NOTE: Dual Side Brush Kit, Tennant Part Number 9006041, includes; Fig. 12, Fig. 13, Fig. 14, Fig. 15 and Fig. 16.

| Ref. | Part No. | Serial Number    | Description   | Qty.                                      |   |
|------|----------|------------------|---|---|---|
| 1    | 1042727  | (000000-         | ) Bracket, Sidebrush, Lh                                  | 1   |   |
| 2    | 1037358  | (000000-         | ) Screw, Hex, M10 X 1.50 X 35, 9.8, Sems                  | 2   |   |
| 3    | 1042730  | (000000-         | ) Arm Wldt, Lift, Lh                                      | 1   |   |
| 4    | 360081   | (000000-         | ) Spring, Dsl, 1.25od 0.62id 1.80l                        | 1   |   |
| 5    | 64425    | (000000-         | ) Washer, Thrust, 0.61b 1.25d .06, Fgl                    | 2   |   |
| 6    | 15331    | (000000-         | ) Washer, Flat, 0.62, Sae                                 | 1   |   |
| 7    | 06988    | (000000-         | ) Screw, Hex, M16 X 2.00 X 90, 8.8                        | 1   |   |
| 8    | 33342    | (000000-         | ) Nut, Hex, Lock, M16 X 2.00, NI                          | 1   |   |
| 9    | 1046248  | (000000-         | ) Bracket, Mtg, Motor, Lh                                 | 1   |   |
| 10   | 360357   | (000000-         | ) Spring, Dsl, 1.00od 0.50id 1.25l                        | 1   |   |
| 11   | 59633    | (000000-         | ) Washer, Thrust, 0.53b 1.00d 0.03w[Fbrgl]                | 1   |   |
| 12   | 32486    | (000000-         | ) Washer Flat,0.50,Sae                                    | 2   |   |
| 13   | 27108    | (000000-         | ) Screw, Flt, Soc, .50- 13 X 2.50, AI                     | 1   |   |
| 14   | 86029    | (000000-         | ) Nut, Hex, Flexlock, .50- 13, Thin                       | 1   |   |
| 15   | 1048311  | (000000-         | ) Cable, Ss .19d 008.5l .55eye / M6- 1.0                  | 1   |   |
| 16   | 360801   | (000000-         | ) Sleeve, 0.32b 0.50d 0.3l, 2cham, Ss                     | 1   |   |
| 17   | 09010    | (000000-         | ) Screw, Hex, M8 X 1.25 X 25, Ss                          | 1   |   |
| 18   | 08713    | (000000-         | ) Nut, Hex, Lock, M8 X 1.25, NI, Ss                       | 1   |   |
| 19   | 01685    | (000000-         | ) Washer, Flat, 0.38b 0.88d .08, Ss                       | 1   |   |
| 20   | 1035826  | (000000-         | ) Clevis, Adj, M6 Pin, M6 X 1.0 Rh, PI                    | 1   |   |
| 21   | 07785    | (000000-         | ) Nut, Hex, Std, M6 X 1.00, Ss                            | 1   |   |
| 22   | 14605    | (000000-         | ) Pin, Clevis, 0.25d X 0.75l                              | 1   |   |
| 23   | 08085    | (000000-         | ) Pin, Cotter, Hair, 0.31d .058 Wir                       | 1   |   |
| 24   | 29499    | (000000-         | ) Spring, Extn, 0.75od 0.11wir 04.5l                      | 1   |   |
| 25   | 41305    | (000000-         | ) Pin, Clevis, 0.37d X 0.75l                              | 1   |   |
| 26   | 16082    | (000000-         | ) Guard, String, Motor, Brush                             | 1   |   |
| 27   | 1054256  | (000000-         | ) Guard, Brush  | 1   |   |
| 28   | 46559    | (000000-         | ) Screw, Hex, .38- 16 X 1.25, NI                          | 4   |   |
| 29   | 32492    | (000000-         | ) Washer, Flat, 0.38, Std                                 | 4   |   |
| 30   | 47501    | (000000-         | ) Hub, Adapter, Brush, 1.00b                              | 1   |   |
| 31   | 39396    | (000000-         | ) Screw, Hex, .31- 12 X 1.50, Fmg [Ab]                    | 4   |   |
| 32   | 84581    | (000000-         | ) Pin Assy, Side Brush W/ Clip                            | 1   |   |
| 33   | 361026   | (000000- 002395) | ) Motor, Hyd, Gear, Int 08.9 Bi- Dir 1500 (See Breakdown) | 1   |   |
| ▽    | 33       | 1068803          | (002396-  | ) Motor, Hyd, Gear, Int 08.9 Bi- Dir 1500 | 1 |
| ▲    |          | 22615            | (002396-  | ) Seal Kit, Motor [CI]                    | 1 |
| 34   | 47753    | (000000- 002999) | ) Fitting, Hyd, Str, Jf08/Jm06                            | 2   |   |
| 34   | 762458   | (003000-         | ) Fitting, Hyd, Str, Ff08/Fm06                            | 2   |   |
| 35   | 56821    | (000000- 002999) | ) Fitting, Hyd, E90, Jm08/Om10                            | 2   |   |
| 35   | 767411   | (003000-         | ) Fitting, Hyd, E90, Fm08/Om10                            | 2   |   |
| 36   | 31646    | (000000-         | ) Sleeve, Nyl, 1.63id 25.0l                               | 1   |   |
| 37   | 49266    | (000000-         | ) Tie, Cable, Nyl, 07.3l .19w 1.8 Max D                   | 1   |   |

**Fig. 14 - Dual Side Brush Wire Harness Group**

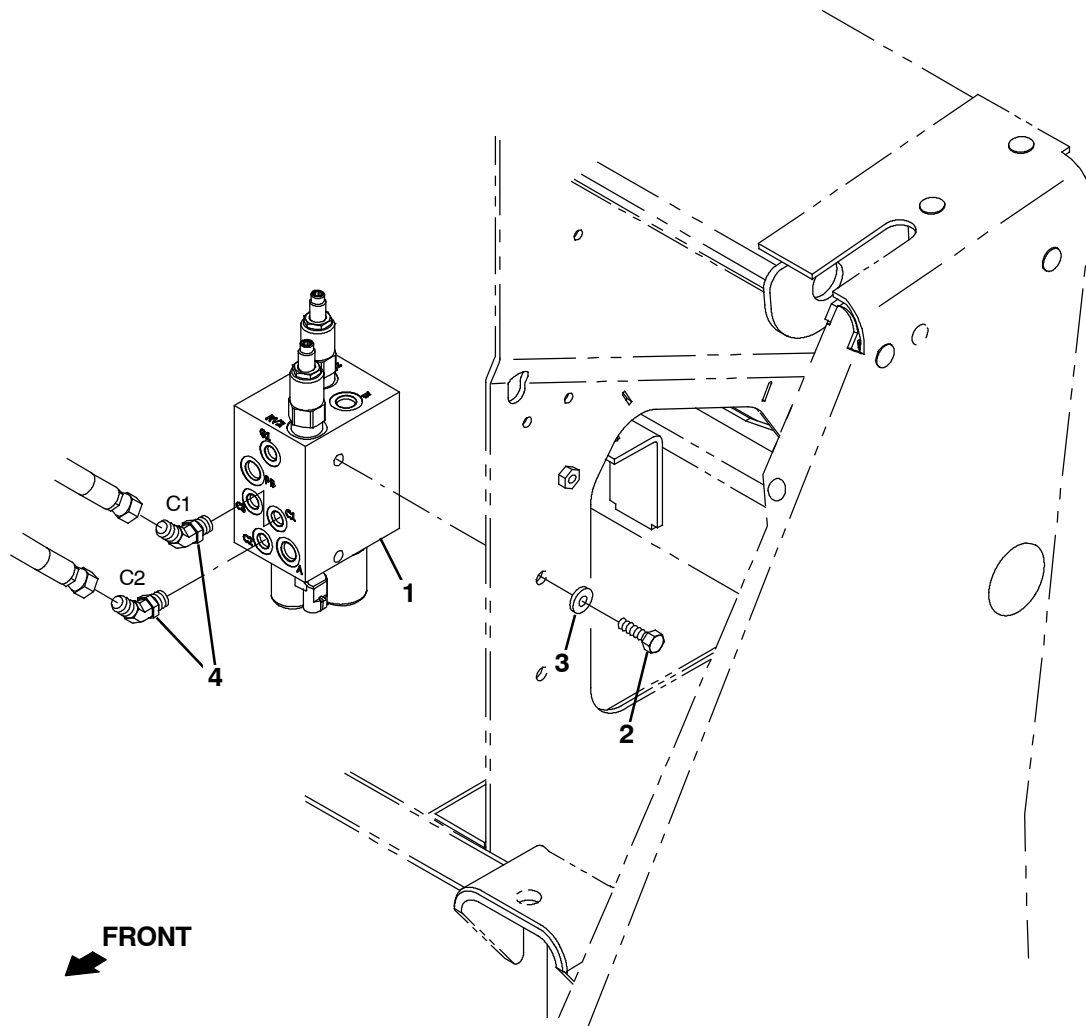


354993 - E

*NOTE: Dual Side Brush Kit, Tennant Part Number 9006041, includes; Fig. 12, Fig. 13, Fig. 14, Fig. 15 and Fig. 16.*

| Ref. | Part No. | Serial Number | Description                           | Qty. |
|------|----------|---------------|---------------------------------------|------|
| 1    | 1050070  | (000000- )    | Harness, Brush, Side, Lh, 36Vdc [S20] | 1    |

Fig. 15 - Dual Side Brush Hydraulic Valve Group

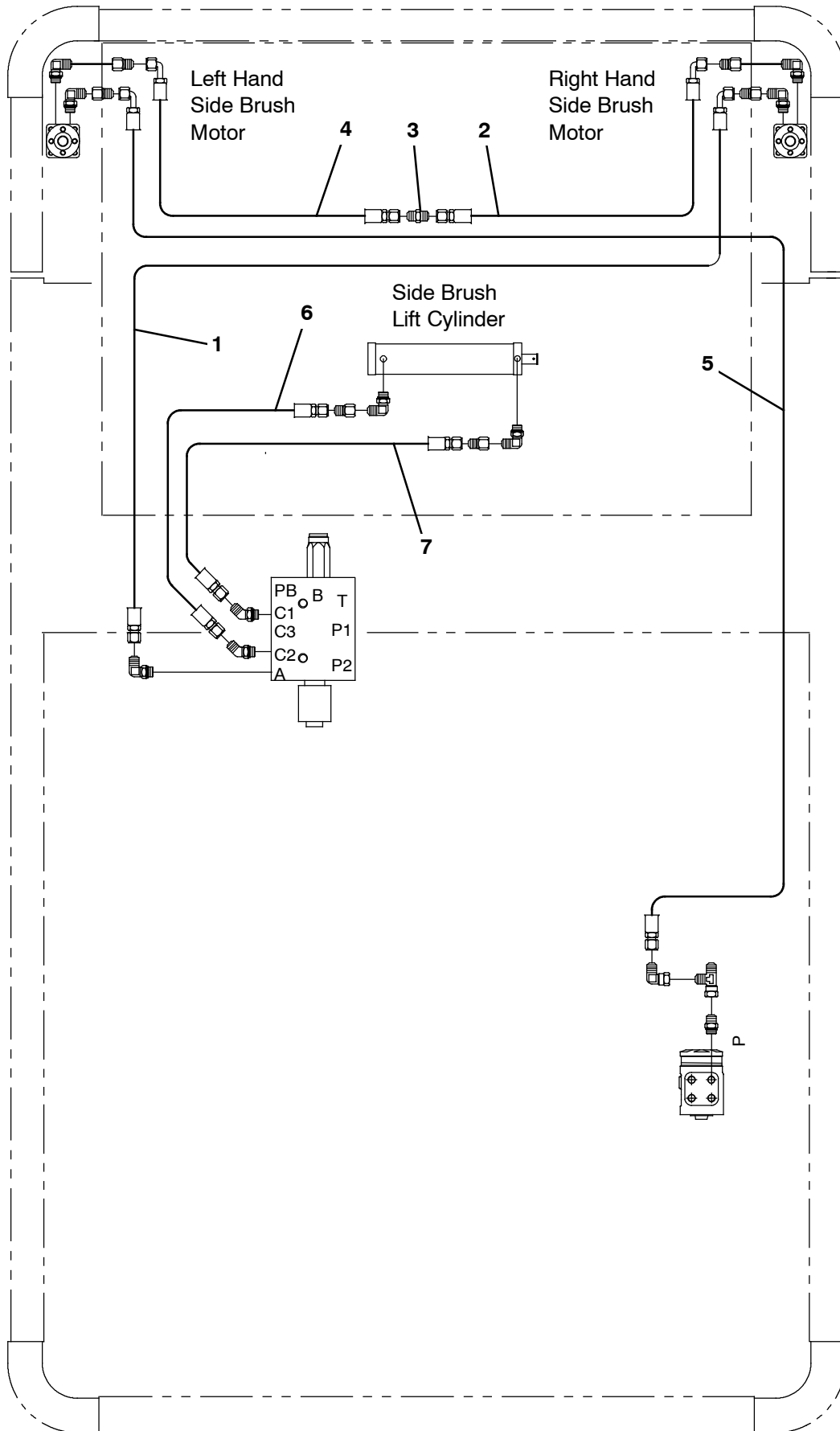


356018 - E

NOTE: Dual Side Brush Kit, Tennant Part Number 9006041, includes; Fig. 12, Fig. 13, Fig. 14, Fig. 15 and Fig. 16.

| Ref. | Part No. | Serial Number     | Description                                  | Qty. |
|------|----------|-------------------|--|------|
| 1    | 1045994  | (000000- 006474 ) | Valve, Hyd, Solenoid, 36Vdc (See Breakdowns) | 1    |
| 1    | 1237086  | (006475-          | Valve, Hyd, Solenoid, 36Vdc (See Breakdowns) | 1    |
| 2    | 06961    | (000000-          | Screw, Hex, M10 X 1.50 X 20, 8.8             | 2    |
| 3    | 32492    | (000000-          | Washer, Flat, 0.38, Std                      | 2    |
| 4    | 34359    | (000000- 002999 ) | Fitting, Hyd, E45, Jm04/Om04                 | 2    |
| 4    | 79874    | (003000-          | Fitting, Hyd, E45, Fm04/Om04                 | 2    |

Fig. 16 - Dual Side Brush Hydraulic Hose Diagram

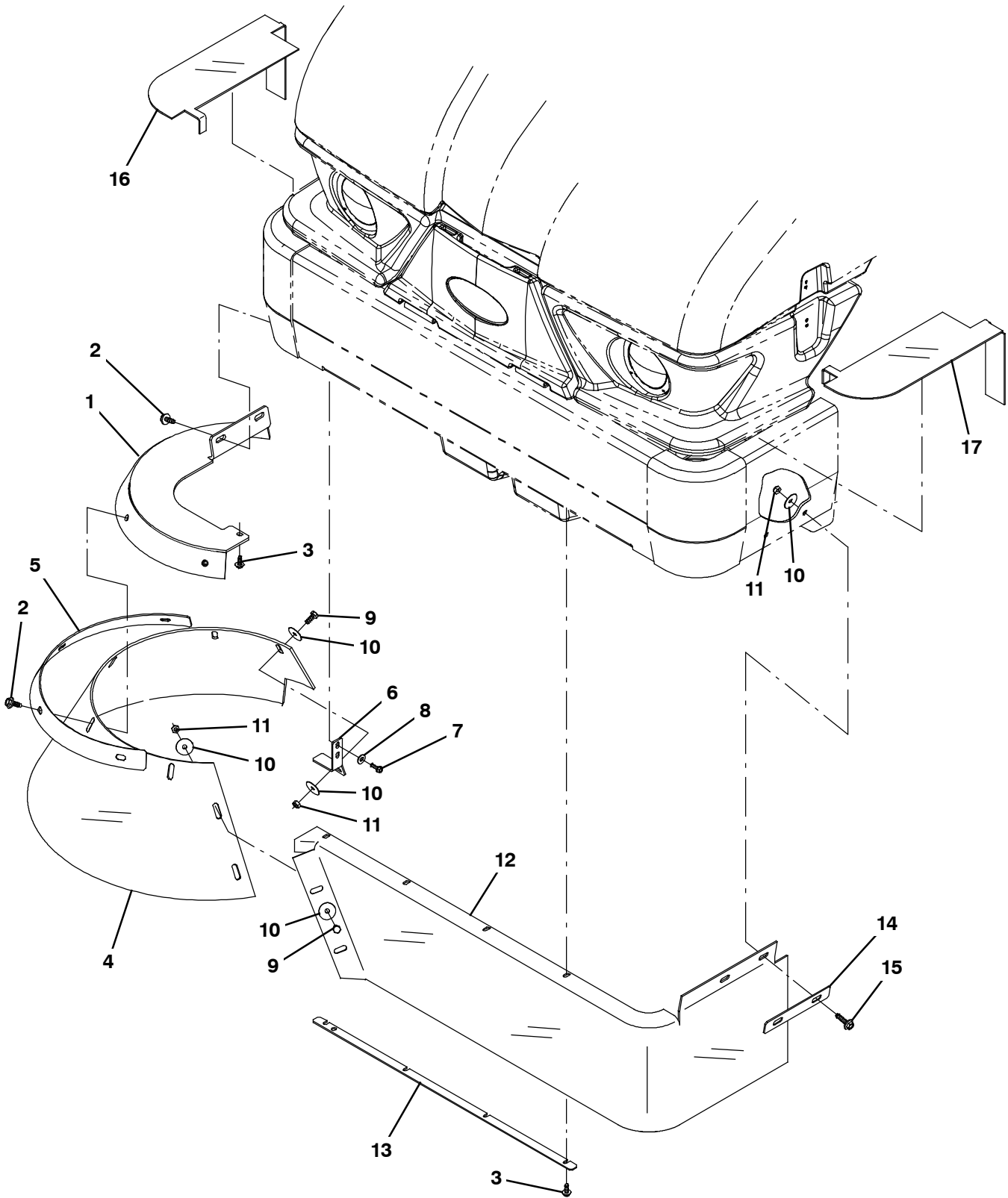


**Fig. 16 - Dual Side Brush Hydraulic Hose Diagram**

*NOTE: Dual Side Brush Kit, Tennant Part Number 9006041, includes; Fig. 12, Fig. 13, Fig. 14, Fig. 15 and Fig. 16.*

| <b>Ref.</b> | <b>Part No.</b> | <b>Serial Number</b> | <b>Description</b>                       | <b>Qty.</b> |
|-------------|-----------------|----------------------|--|-------------|
| 1           | 02469           | (000000- 002999 )    | Hose, Hyd, Med06, Jf06e90/Jf06str, 100.0 | 1           |
| 1           | 1071774         | (003000- )           | Hose, Hyd, Med06, Of06e90/Of06str, 100.0 | 1           |
| 2           | 31597           | (000000- 002999 )    | Hose, Hyd, Med06, Jf06e90/Jf06str, 068.0 | 1           |
| 2           | 1071776         | (003000- )           | Hose, Hyd, Med06, Of06e90/Of06str, 068.0 | 1           |
| 3           | 15803           | (000000- 002999 )    | Fitting, Hyd, Str, Jm06/Jm06             | 1           |
| 3           | 762443          | (003000- )           | Fitting, Hyd, Str, Fm06/Fm06 Bh          | 1           |
| 4           | 1041941         | (000000- 002999 )    | Hose, Hyd, Tc06, Jf06e90/Jf06str, 086.0  | 1           |
| 4           | 1071940         | (003000- )           | Hose, Hyd, Tc06, Of06e90/Of06str, 086.0  | 1           |
| 5           | 1052533         | (000000- 002999 )    | Hose, Hyd, Tc06, Jf06e90/Jf06str, 096.0  | 1           |
| 5           | 1071943         | (003000- )           | Hose, Hyd, Tc06, Of06e90/Of06str, 086.0  | 1           |
| 6           | 1052534         | (000000- 002999 )    | Hose, Hyd, Tc04, Jf04str/Jf04str, 028.0  | 1           |
| 6           | 1071941         | (003000- )           | Hose, Hyd, Tc04, Of04str/Of04str, 028.0  | 1           |
| 7           | 1025992         | (000000- 002999 )    | Hose, Hyd, Tc04, Jf04str/Jf04str, 020.0  | 1           |
| 7           | 1071942         | (003000- )           | Hose, Hyd, Tc04, Of04str/Of04str, 020.0  | 1           |

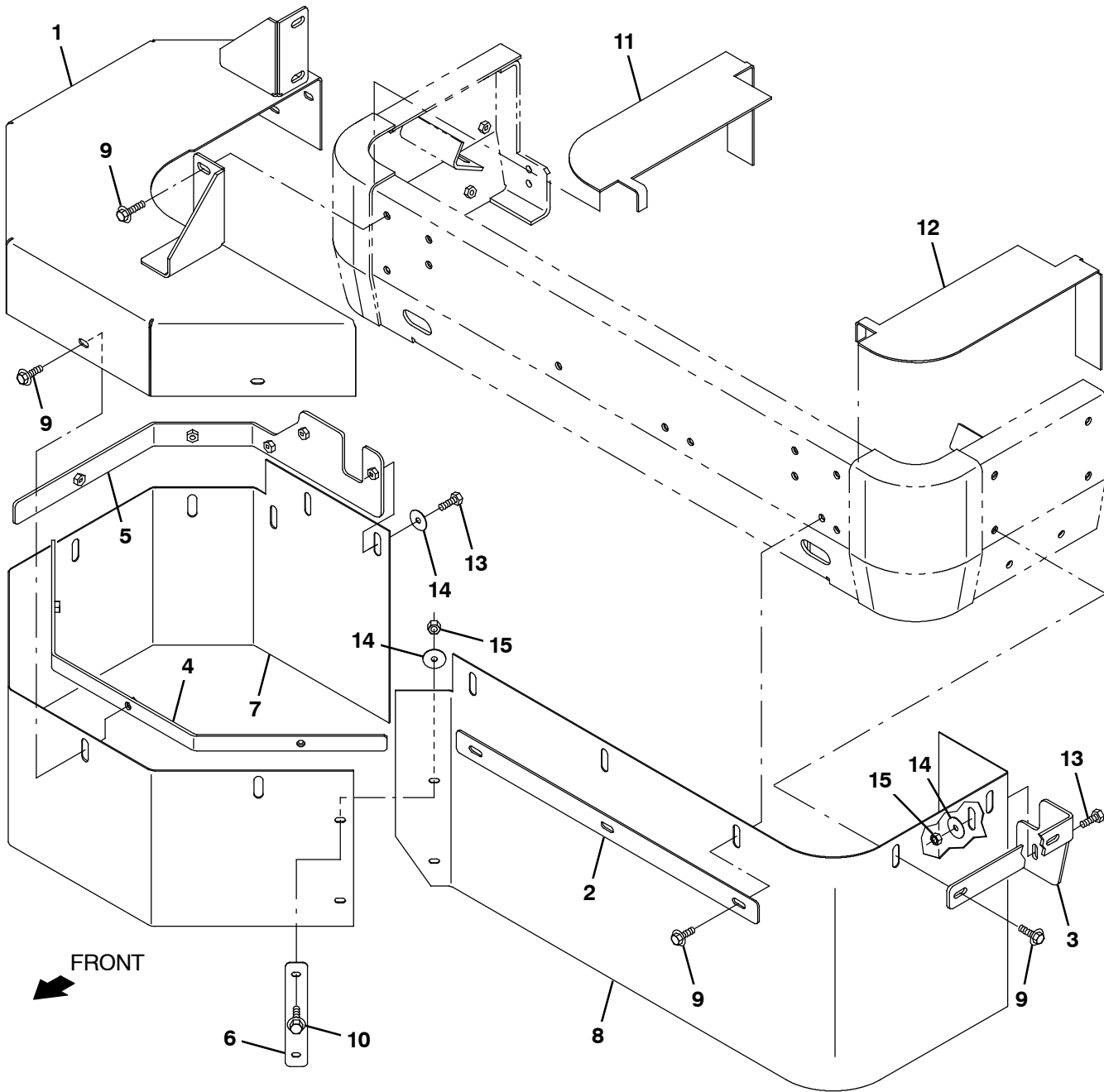
Fig. 17 - Right Hand Side Brush Dust Control Kit (000000-006329)



**Fig. 17 - Right Hand Side Brush Dust Control Kit (000000- 006329)**

|   | <b>Ref.</b> | <b>Part No.</b> | <b>Serial Number</b> | <b>Description</b>                    | <b>Qty.</b> |
|---|-------------|-----------------|----------------------|---------------------------------------|-------------|
| ▽ |             | 9006013         | (000000- 006329 )    | Sbdc Kit, W/O Lh Side Brush, Ci [S20] | 1           |
| ▲ | 1           | 1054371         | (000000- 006329 )    | Support Wldt, Rh, Sbdc                | 1           |
| ▲ | 2           | 1037346         | (000000- 006329 )    | Screw, Hex, M8 X 1.25 X 25, 9.8, Sems | 6           |
| ▲ | 3           | 1040467         | (000000- 006329 )    | Screw, Hex, M6 X 1.00 X 20, 9.8, Sems | 5           |
| ▲ | 4           | 1054391         | (000000- 006329 )    | Skirt, Brush, Side, Sbdc              | 1           |
| ▲ | 5           | 1054567         | (000000- 006329 )    | Retainer, Skirt                       | 1           |
| ▲ | 6           | 1047696         | (000000- 006329 )    | Bracket, Sbdc, Rh                     | 1           |
| ▲ | 7           | 12459           | (000000- 006329 )    | Screw, Hex, M6 X 1.00 X 20, Fmg       | 2           |
| ▲ | 8           | 32490           | (000000- 006329 )    | Washer, Flat, 0.25, Std               | 2           |
| ▲ | 9           | 09740           | (000000- 006329 )    | Screw, Hex, M8 X 1.25 X 20, Ss        | 3           |
| ▲ | 10          | 30013           | (000000- 006329 )    | Washer, Flat, 0.31, Fendr             | 8           |
| ▲ | 11          | 08709           | (000000- 006329 )    | Nut, Hex, Lock, M8 X 1.25, NI         | 5           |
| ▲ | 12          | 1054625         | (000000- 006329 )    | Skirt, Brush, Side, Sbdc [W/O Lhsb]   | 1           |
| ▲ | 13          | 1048720         | (000000- 006329 )    | Retainer, Skirt                       | 1           |
| ▲ | 14          | 1048883         | (000000- 006329 )    | Retainer, Skirt                       | 1           |
| ▲ | 15          | 1037355         | (000000- 006329 )    | Screw, Hex, M8 X 1.25 X 35, 9.8, Sems | 2           |
| ▲ | 16          | 1047773         | (000000- 006329 )    | Seal, Top, Sbdc                       | 1           |
| ▲ | 17          | 1054369         | (000000- 006329 )    | Seal, Top, Lh, Sbdc                   | 1           |

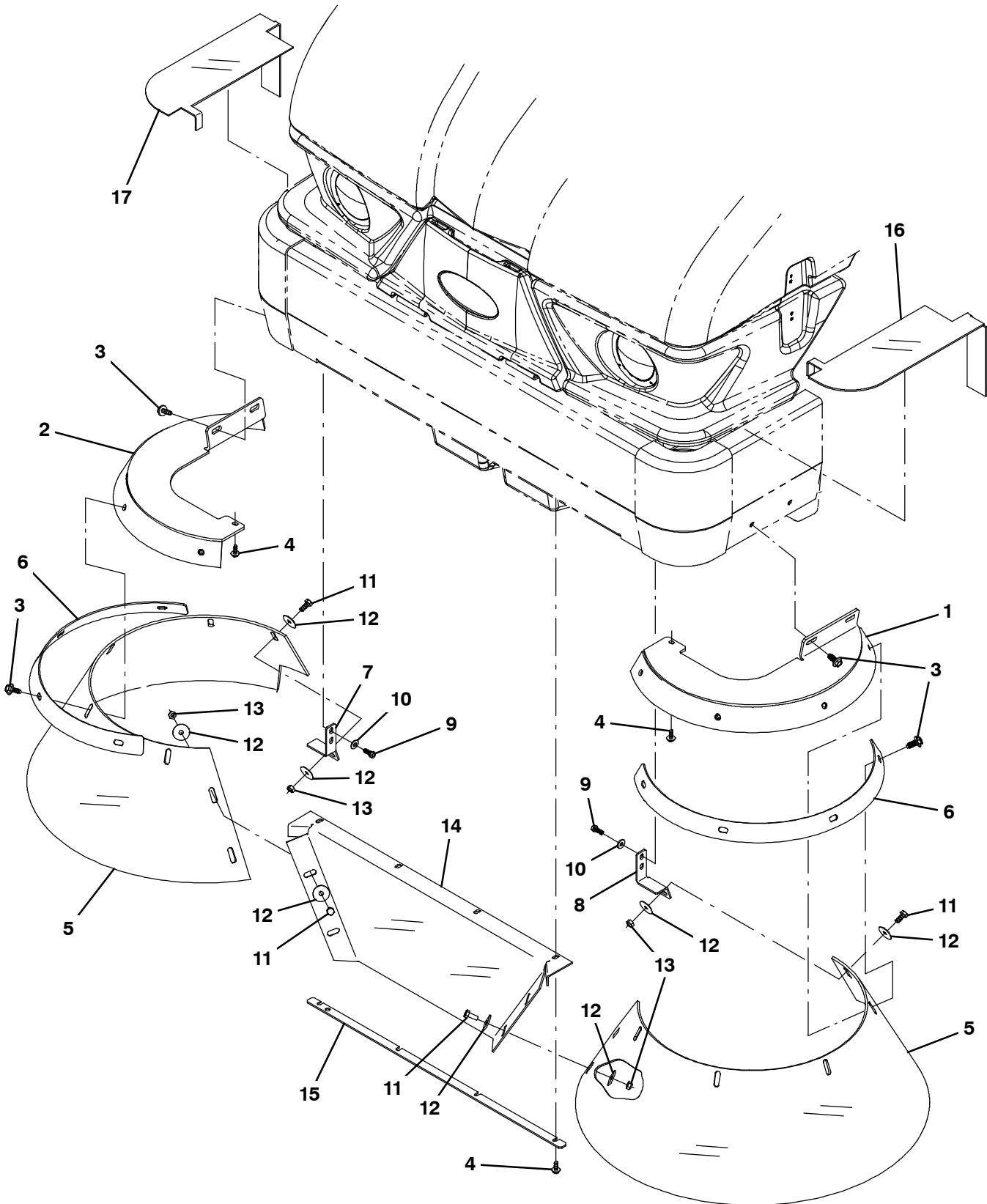
Fig. 18 - Right Hand Side Brush Dust Control Kit (006330- )



**Fig. 18 - Right Hand Side Brush Dust Control Kit (006330- )**

|   | <b>Ref.</b> | <b>Part No.</b> | <b>Serial Number</b> | <b>Description</b>                      | <b>Qty.</b> |
|---|-------------|-----------------|----------------------|---|-------------|
| ▽ |             | 9017557         | (006330-             | ) Sbdc Kit, W/O Lh Side Brush, Ci [S20] | 1           |
| ▲ | 1           | 1076207         | (006330-             | ) Cover Wldt, Rh, Sbdc [S20]            | 1           |
| ▲ | 2           | 1076216         | (006330-             | ) Strip, Retainer, Front, Sbdc          | 1           |
| ▲ | 3           | 1076218         | (006330-             | ) Retainer, Skirt, Lh Side              | 1           |
| ▲ | 4           | 1076213         | (006330-             | ) Strip, Retainer, Skirt, Sbdc          | 1           |
| ▲ | 5           | 1076211         | (006330-             | ) Bracket, Retainer, Skirt, Rh, Sbdc    | 1           |
| ▲ | 6           | 1076292         | (006330-             | ) Plate, Support, Skirt Sbdc            | 1           |
| ▲ | 7           | 1076210         | (006330-             | ) Skirt, Front, Rh, Sbdc, Rpd [S20]     | 1           |
| ▲ | 8           | 1076215         | (006330-             | ) Skirt, Front, Single Sbdc, Rpd [S20]  | 1           |
| ▲ | 9           | 1037354         | (006330-             | ) Screw, Hex, M8 X 1.25 X 30, 9.8, Sems | 16          |
| ▲ | 10          | 1037346         | (006330-             | ) Screw, Hex, M8 X 1.25 X 25, 9.8, Sems | 2           |
| ▲ | 11          | 1047773         | (006330-             | ) Seal, Top, Sbdc                       | 1           |
| ▲ | 12          | 1054369         | (006330-             | ) Seal, Top, Lh, Sbdc                   | 1           |
| ▲ | 13          | 39277           | (006330-             | ) Screw, Hex, M8 X 1.25 X 25, 8.8       | 2           |
| ▲ | 14          | 30013           | (006330-             | ) Washer, Flat, 0.31, Fendr             | 4           |
| ▲ | 15          | 08709           | (006330-             | ) Nut, Hex, M8 X 1.25                   | 3           |

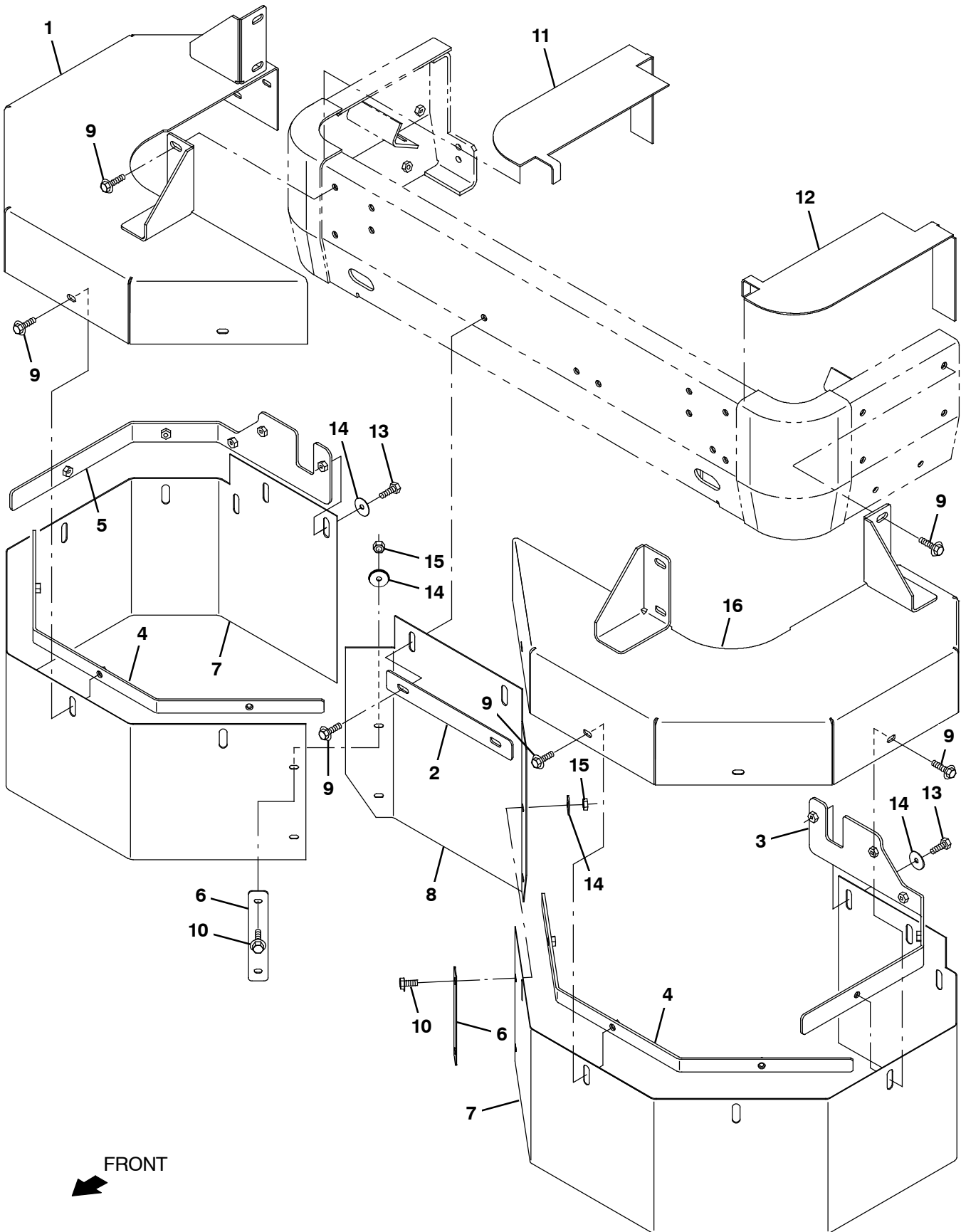
Fig. 19 - Dual Side Brush Dust Control Kit (000000-006329)



**Fig. 19 - Dual Side Brush Dust Control Kit (000000-006329)**

|   | <b>Ref.</b> | <b>Part No.</b> | <b>Serial Number</b> | <b>Description</b>                    | <b>Qty.</b> |
|---|-------------|-----------------|----------------------|---------------------------------------|-------------|
| ▽ |             | 9006014         | (000000-006329 )     | Sbdc Kit, W/ Lh Side Brush, Ci [S20]  | 1           |
| ▲ | 1           | 1054374         | (000000-006329 )     | Support Wldt, Lh, Sbdc                | 1           |
| ▲ | 2           | 1054371         | (000000-006329 )     | Support Wldt, Rh, Sbdc                | 1           |
| ▲ | 3           | 1037346         | (000000-006329 )     | Screw, Hex, M8 X 1.25 X 25, 9.8, Sems | 12          |
| ▲ | 4           | 1040467         | (000000-006329 )     | Screw, Hex, M6 X 1.00 X 20, 9.8, Sems | 6           |
| ▲ | 5           | 1054391         | (000000-006329 )     | Skirt, Brush, Side, Sbdc              | 2           |
| ▲ | 6           | 1054567         | (000000-006329 )     | Retainer, Skirt                       | 2           |
| ▲ | 7           | 1047696         | (000000-006329 )     | Bracket, Sbdc, Rh                     | 1           |
| ▲ | 8           | 1048785         | (000000-006329 )     | Bracket, Sbdc, Lh                     | 1           |
| ▲ | 9           | 12459           | (000000-006329 )     | Screw, Hex, M6 X 1.00 X 20, Fmg       | 4           |
| ▲ | 10          | 32490           | (000000-006329 )     | Washer, Flat, 0.25, Std               | 4           |
| ▲ | 11          | 09740           | (000000-006329 )     | Screw, Hex, M8 X 1.25 X 20, Ss        | 6           |
| ▲ | 12          | 30013           | (000000-006329 )     | Washer, Flat, 0.31, Fendr             | 12          |
| ▲ | 13          | 08709           | (000000-006329 )     | Nut, Hex, Lock, M8 X 1.25, NI         | 6           |
| ▲ | 14          | 1048718         | (000000-006329 )     | Skirt, Sbdc, Sba, Lh                  | 1           |
| ▲ | 15          | 1048720         | (000000-006329 )     | Retainer, Skirt                       | 1           |
| ▲ | 16          | 1054369         | (000000-006329 )     | Seal, Top, Lh, Sbdc                   | 1           |
| ▲ | 17          | 1047773         | (000000-006329 )     | Seal, Top, Sbdc                       | 1           |

Fig. 20 - Dual Side Brush Dust Control Kit (006330- )



**Fig. 20 - Dual Side Brush Dust Control Kit (006330- )**

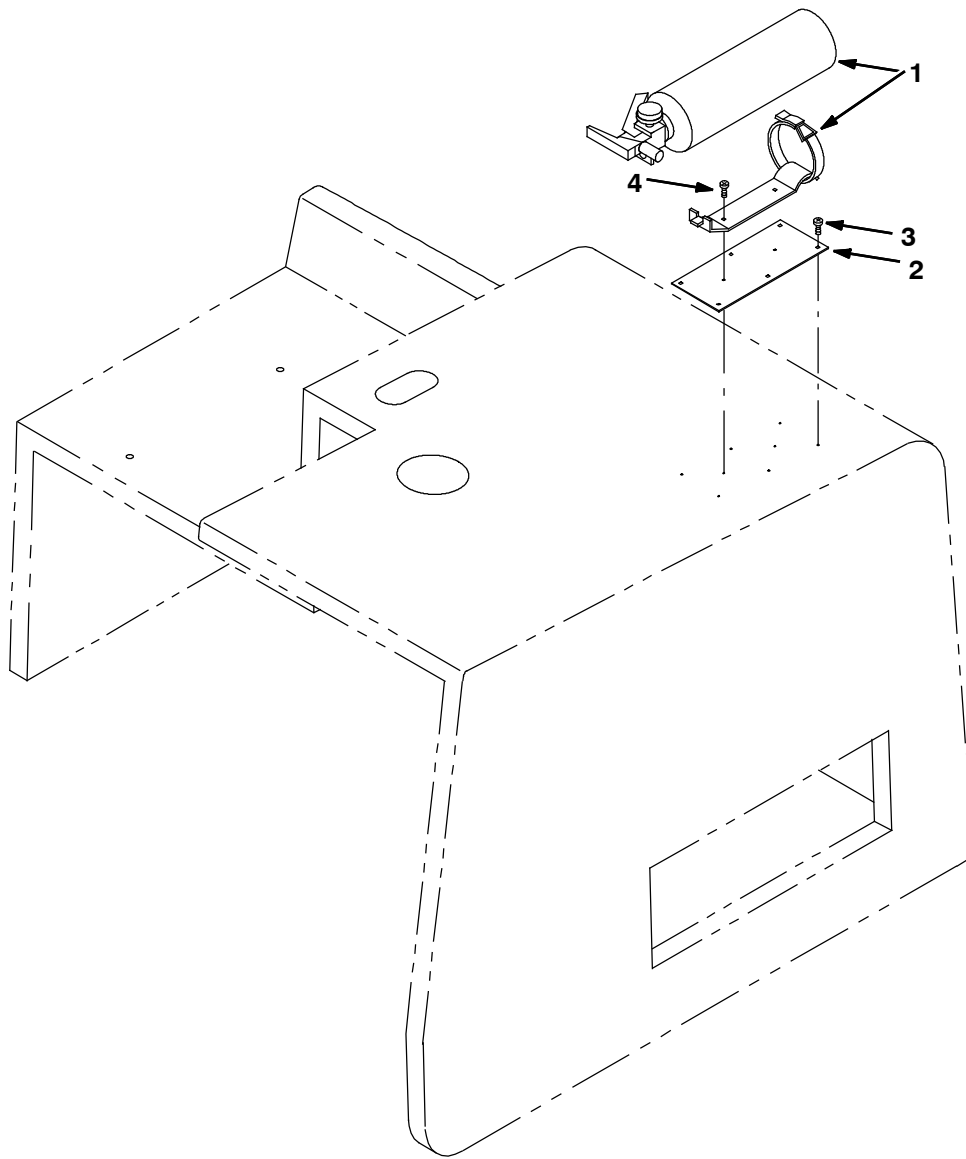
| Ref. | Part No.   | Serial Number | Description                             | Qty. |
|------|------------|---------------|---|------|
| ▽    | 9017556    | (006330-      | ) Sbdc Kit, W/ Lh Side Brush, Ci [S20]  | 1    |
| ▲    | 1 1076207  | (006330-      | ) Cover Wldt, Rh, Sbdc [S20]            | 1    |
| ▲    | 2 1076216  | (006330-      | ) Strip, Retainer, Front, Sbdc          | 1    |
| ▲    | 3 1076218  | (006330-      | ) Retainer, Skirt, Lh Side              | 1    |
| ▲    | 4 1076213  | (006330-      | ) Strip, Retainer, Skirt, Sbdc          | 1    |
| ▲    | 5 1076211  | (006330-      | ) Bracket, Retainer, Skirt, Rh, Sbdc    | 1    |
| ▲    | 6 1076292  | (006330-      | ) Plate, Support, Skirt Sbdc            | 2    |
| ▲    | 7 1076210  | (006330-      | ) Skirt, Front, Rh, Sbdc, Rpd [S20]     | 2    |
| ▲    | 8 1076215  | (006330-      | ) Skirt, Front, Single Sbdc, Rpd [S20]  | 1    |
| ▲    | 9 1037354  | (006330-      | ) Screw, Hex, M8 X 1.25 X 30, 9.8, Sems | 22   |
| ▲    | 10 1037346 | (006330-      | ) Screw, Hex, M8 X 1.25 X 25, 9.8, Sems | 4    |
| ▲    | 11 1047773 | (006330-      | ) Seal, Top, Sbdc                       | 1    |
| ▲    | 12 1054369 | (006330-      | ) Seal, Top, Lh, Sbdc                   | 1    |
| ▲    | 13 39277   | (006330-      | ) Screw, Hex, M8 X 1.25 X 25, 8.8       | 2    |
| ▲    | 14 30013   | (006330-      | ) Washer, Flat, 0.31, Fendr             | 6    |
| ▲    | 15 08709   | (006330-      | ) Nut, Hex, M8 X 1.25                   | 3    |
| ▲    | 16 1076258 | (006330-      | ) Cover Wldt, Lh, Sbdc [S20]            | 1    |



**Fig. 21 - Vacuum Wand Kit**

|   | <b>Ref.</b> | <b>Part No.</b> | <b>Serial Number</b> | <b>Description</b>                          | <b>Qty.</b> |
|---|-------------|-----------------|----------------------|---|-------------|
| ▽ |             | 9006023         | (000000-             | ) Wand Kit, Vacuum, Ci [S20]                | 1           |
| ▲ | 1           | 1052620         | (000000-             | ) Adapter Wldt, Wand, Vacuum                | 1           |
| ▲ | 2           | 55965           | (000000-             | ) Seal, Rbr, 0.06, Tube, Vacuum Wand        | 1           |
| ▲ | 3           | 1047632         | (000000-             | ) Door Wldt, Wand, Vacuum                   | 1           |
| ▲ | 4           | 1047635         | (000000-             | ) Gasket, Door, Wand, Vacuum                | 1           |
| ▲ | 5           | 9006909         | (000000-             | ) Wand, Vacuum, W/ Label, Na [S20 ]         | 1           |
| ▲ | 5           | 9006911         | (000000-             | ) Wand, Vacuum, W/ Label, JP [S20 ]         | 1           |
| ▲ | 6           | 67004           | (000000-             | ) Clip, Grip, Finger, 1.00- 1.88d,White Vyl | 2           |
| ▲ | 7           | 360973          | (000000-             | ) Screw, Pan, 12- 16 X 0.50, F/ Plstc       | 2           |
| ▲ | 8           | 07887           | (000000-             | ) Molding, Trim, Pvc, .08- .11 39.2l        | 1           |
| ▲ | 9           | 54009           | (000000-             | ) Hose Assy, W/2cuff, 2.0d 120l 2.0/2.0     | 1           |
| ▲ | 10          | 08716           | (000000-             | ) Screw, Hex, M6 X 1.00 X 20, Ss            | 6           |
| ▲ | 11          | 32490           | (000000-             | ) Washer, Flat, 0.25, Std                   | 6           |
| ▲ | 12          | 08708           | (000000-             | ) Nut, Hex, Lock, M6 X 1.00, NI             | 6           |

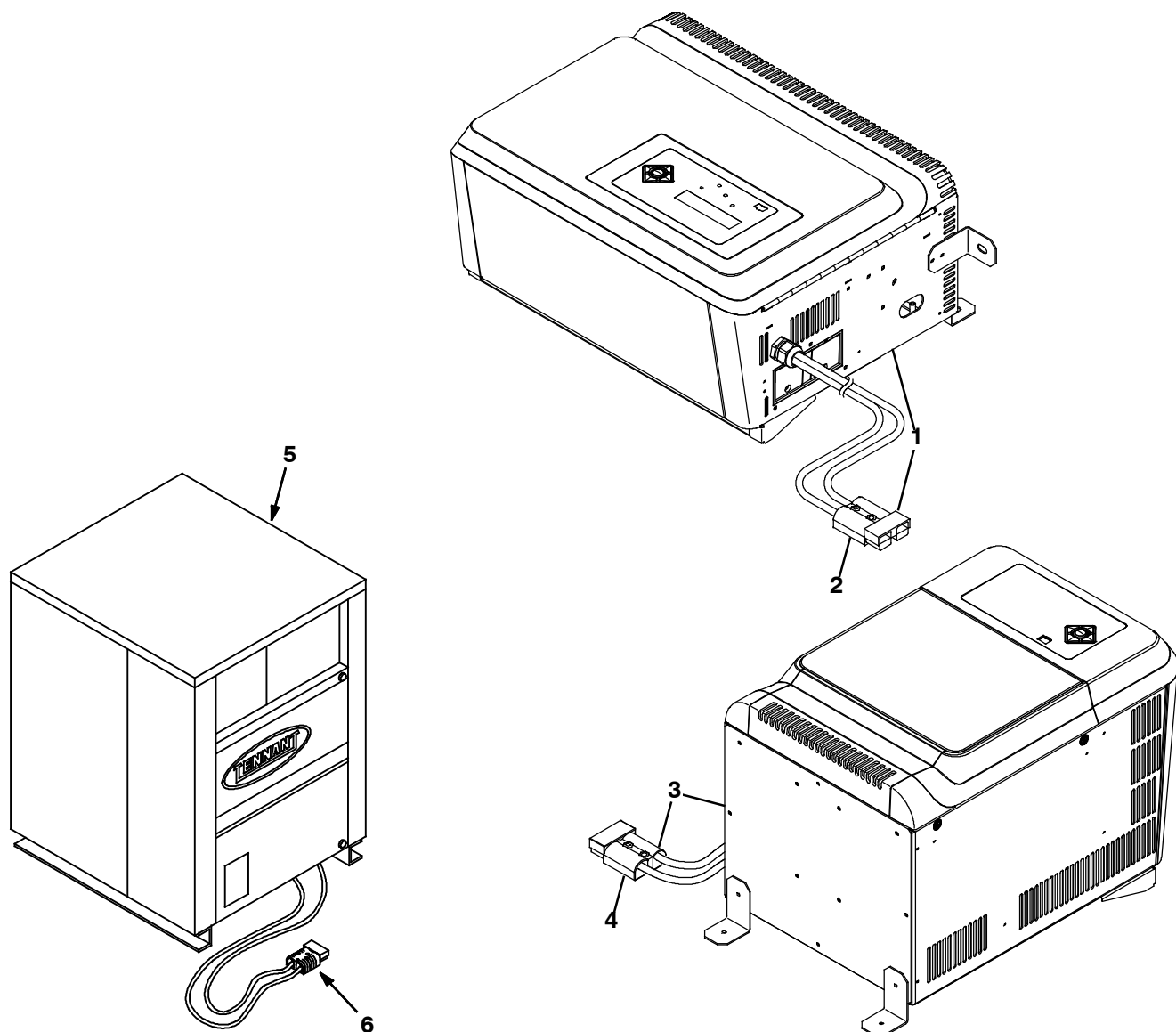
**Fig. 22 - Fire Extinguisher Kit**



350035 - ALL

| Ref. | Part No.  | Serial Number | Description                              | Qty. |
|------|-----------|---------------|--|------|
| ▽    | 9006025   | (000000-      | ) Extinguisher Kit, Fire, Ci [S20]       | 1    |
| ▲    | 1 25312   | (000000-      | ) Extinguisher, Fire, 2.5 Lb Dry         | 1    |
| ▲    | 2 1052806 | (000000-      | ) Plate, Mtg, Fire Extinguisher          | 1    |
| ▲    | 3 360973  | (000000-      | ) Screw, Pan, 12- 16 X 0.50, F/ Plstc    | 6    |
| ▲    | 4 02863   | (000000-      | ) Screw, Pan, Phl, 10- 16 X 0.75, Fmg/Ab | 2    |

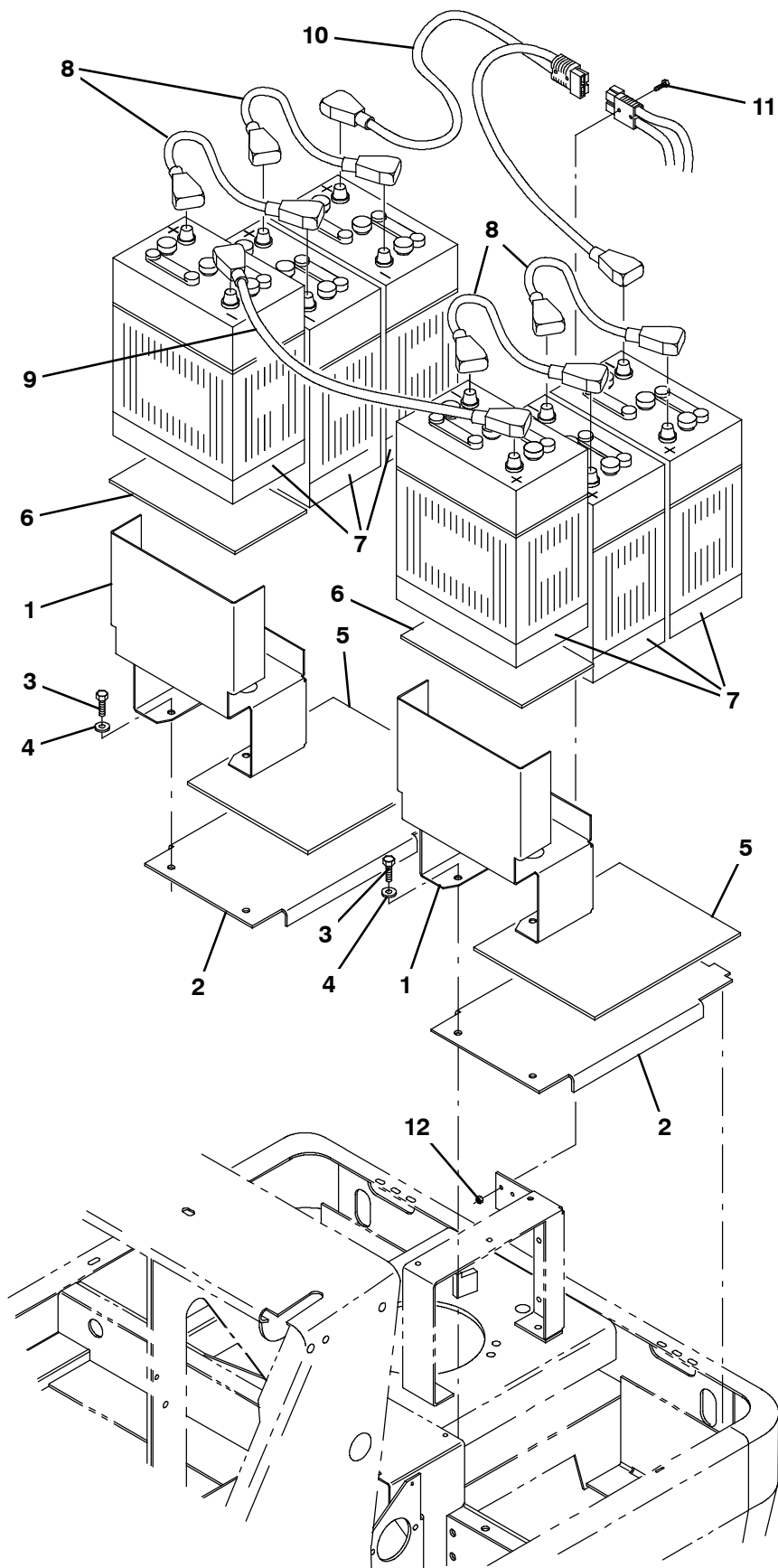
Fig. 23 - Battery Charger Group



356708, 07528 - E, NA

| Ref. | Part No. | Serial Number | Description                                      | Qty. |
|------|----------|---------------|--|------|
| ▽    | 1        | 1227937       | (000000- ) Charger, 36vdc/144a, 208/240vac, 1 Ph | 1    |
| ▲    | 2        | 22892         | (000000- ) Connector, Anderson, 175a, Gray       | 1    |
| ▽    | 3        | 1227938       | (000000- ) Charger, 36vdc/160a, 208/240vac, 3 Ph | 1    |
| ▲    | 4        | 22892         | (000000- ) Connector, Anderson, 175a, Gray       | 1    |
| ▽    | 5        | 364080        | (000000- ) Charger, 36vdc 50a 230vac 1ph 50hz    | 1    |
| ▲    | 6        | 22892         | (000000- ) Connector, Anderson, 175a, Gray       | 1    |

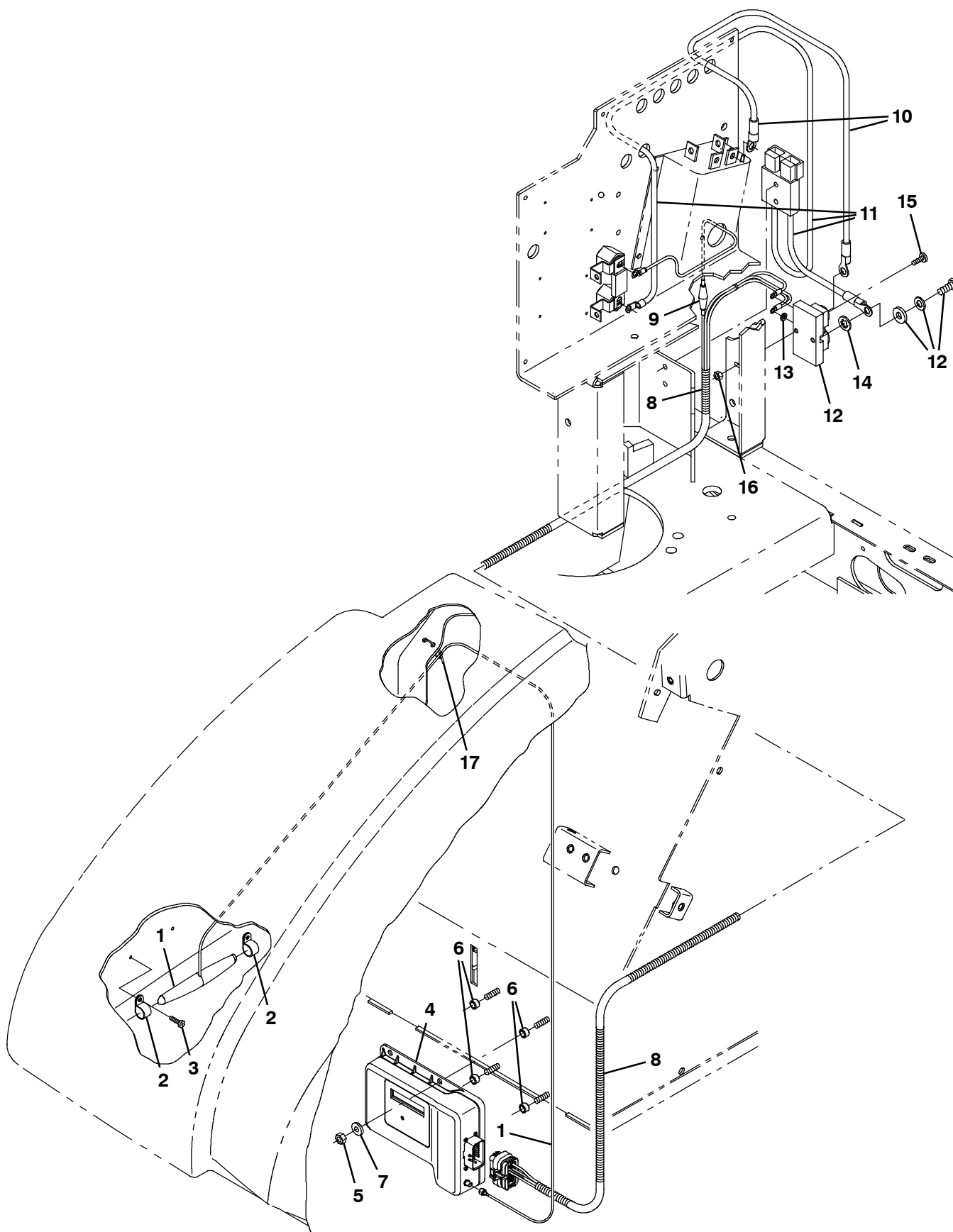
Fig. 24 - Battery Group, 36V 420Ah Wet



**Fig. 24 - Battery Group, 36V 420Ah Wet**

| <b>Ref.</b> | <b>Part No.</b> | <b>Serial Number</b> | <b>Description</b>                        | <b>Qty.</b> |
|-------------|-----------------|----------------------|---|-------------|
| 1           | 1054267         | (000000-             | ) Bracket, Sppt, Battery                  | 2           |
| 2           | 1054266         | (000000-             | ) Channel, Sppt, Battery                  | 2           |
| 3           | 39283           | (000000-             | ) Screw, Hex, M10 X 1.50 X 25, 8.8        | 4           |
| 4           | 32492           | (000000-             | ) Washer, Flat, 0.38, Std                 | 4           |
| 5           | 361168          | (000000-             | ) Spacer, Plywood                         | 2           |
| 6           | 361169          | (000000-             | ) Spacer, Plywood                         | 2           |
| 7           | 10157           | (000000-             | ) Battery, Wet, 06vdc 420ah               | 6           |
| 8           | 50480           | (000000-             | ) Cable, Battery, 04ga 13.5l Blk, 2clamp  | 4           |
| 9           | 36555- 1        | (000000-             | ) Cable, Battery, 04ga 40.0l Blk, 2clamp  | 1           |
| 10          | 1050665         | (000000-             | ) Cable Assy, Battery, 04ga, 2clamp, 175a | 1           |
| 11          | 06946           | (000000-             | ) Screw, Hex, M6 X 1.00 X 35, 8.8         | 2           |
| 12          | 08708           | (000000-             | ) Nut, Hex, Lock, M6 X 1.00, NI           | 2           |

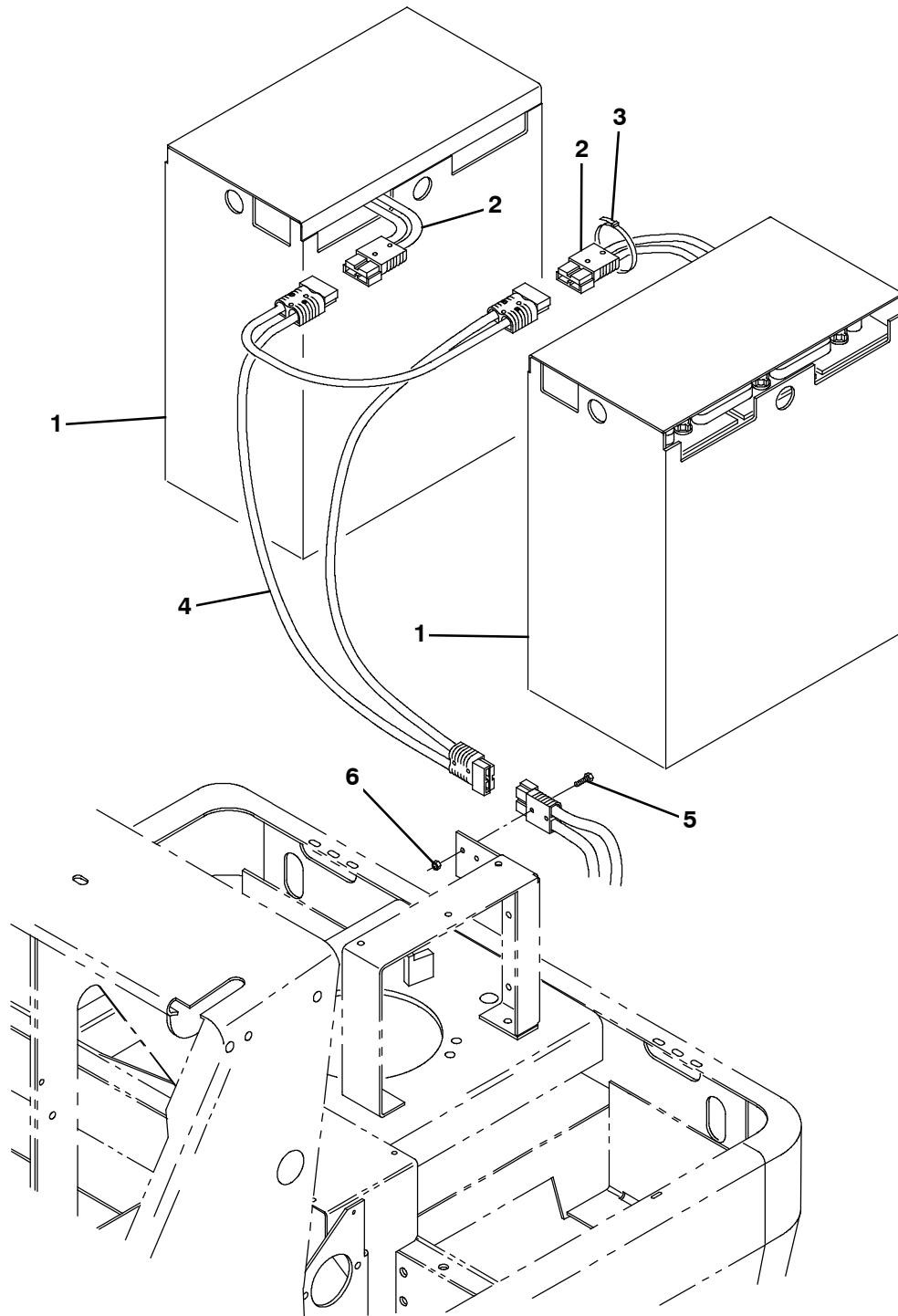
Fig. 25 - Telemetry Group



**Fig. 25 - Telemetry Group**

| <b>Ref.</b> | <b>Part No.</b> | <b>Serial Number</b> | <b>Description</b>                          | <b>Qty.</b> |
|-------------|-----------------|----------------------|---|-------------|
| 1           | 1070324         | (000000-             | ) Antenna, Telem, 110 In [Gprs]             | 1           |
| 2           | 140916          | (000000-             | ) Clamp, Cable, Nyl, 0.62d, Nat             | 2           |
| 3           | 382320          | (000000-             | ) Screw, Pan, Phl, 12- 16 X 0.50, F/ Plstc  | 2           |
| 4           | 9010085         | (000000-             | ) Control Box Assy Kit, Replmt, Telem[Usa]  | 1           |
| 4           | 9010086         | (000000-             | ) Control Box Assy Kit, Replmt, Telem[Intl] | 1           |
| 5           | 08708           | (000000-             | ) Nut, Hex, Lock, M6 X 1.00, NI             | 4           |
| 6           | 222516          | (000000-             | ) Sleeve, P/M, 0.32b 0.50d 0.3l [430ss]     | 4           |
| 7           | 32483           | (000000-             | ) Washer, Flat, 0.25, Sae                   | 4           |
| ▽           | 8               | 1071293              | (000000-) Harness, Ele [Telemetry, S20e]    | 1           |
| ▲           | 9               | 9009990              | (000000-) Fuse, 002a, 250vdc, Cartridge     | 1           |
| 10          | 1071294         | (000000-             | ) Cable, 2ga, Blk [Telemetry, S20e]         | 1           |
| 11          | 1071296         | (000000-             | ) Cable Assy, 2ga [S20e - Telemetry]        | 1           |
| 12          | 1070384         | (000000-             | ) Shunt, 050mv 250a                         | 1           |
| 13          | 32980           | (000000-             | ) Washer, Lock, Int, 10                     | 2           |
| 14          | 32988           | (000000-             | ) Washer, Lock, Int, 0.38                   | 2           |
| 15          | 06935           | (000000-             | ) Screw, Pan, Phl, M5 X 0.80 X 25, 4.8      | 2           |
| 16          | 06549           | (000000-             | ) Nut, Hex, Lock, M5 X 0.80, NI             | 2           |
| 17          | 49266           | (000000-             | ) Tie, Cable, Nyl, 07.3l .19w 1.8 Max D     | 1           |

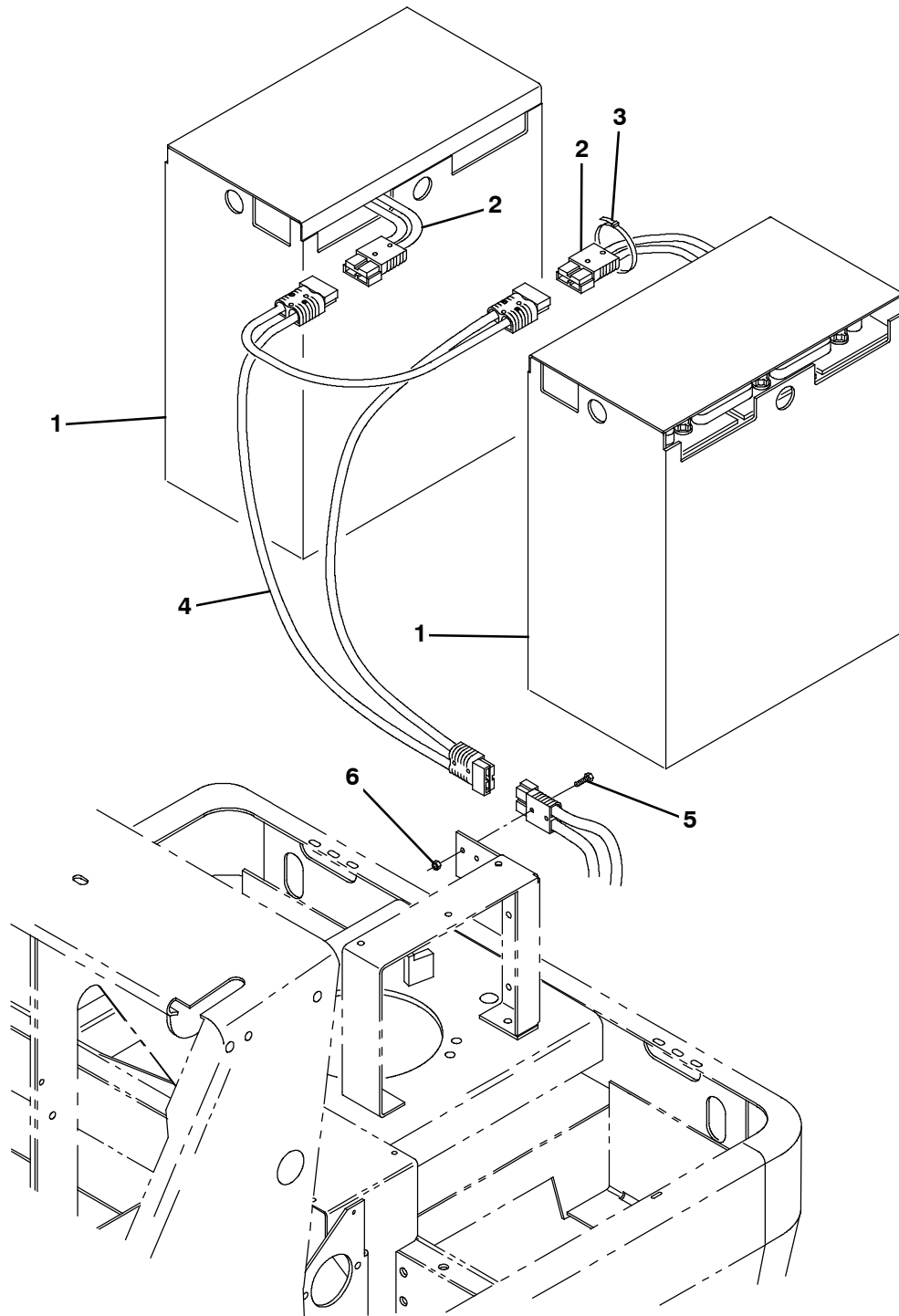
Fig. 26 - Battery Group, 36V 440Ah Wet C/6



356000- E, NA

| Ref. | Part No. | Serial Number | Description                                      | Qty. |
|------|----------|---------------|--|------|
| ▽    | 1        | 1049973       | (000000- ) Battery, Wet, 18vdc 0440ah            | 2    |
| ▲    | 2        | 47985         | (000000- ) Connector, Anderson, 175a, Orange     | 1    |
|      | 3        | 44961         | (000000- ) Tie, Cable, Nyl, 14.5l .30w 4.0 Max D | 3    |
|      | 4        | 1050077       | (000000- ) Harness, Wire, Battery                | 1    |
|      | 5        | 06946         | (000000- ) Screw, Hex, M6 X 1.00 X 35, 8.8       | 4    |
|      | 6        | 08708         | (000000- ) Nut, Hex, Lock, M6 X 1.00, NI         | 4    |

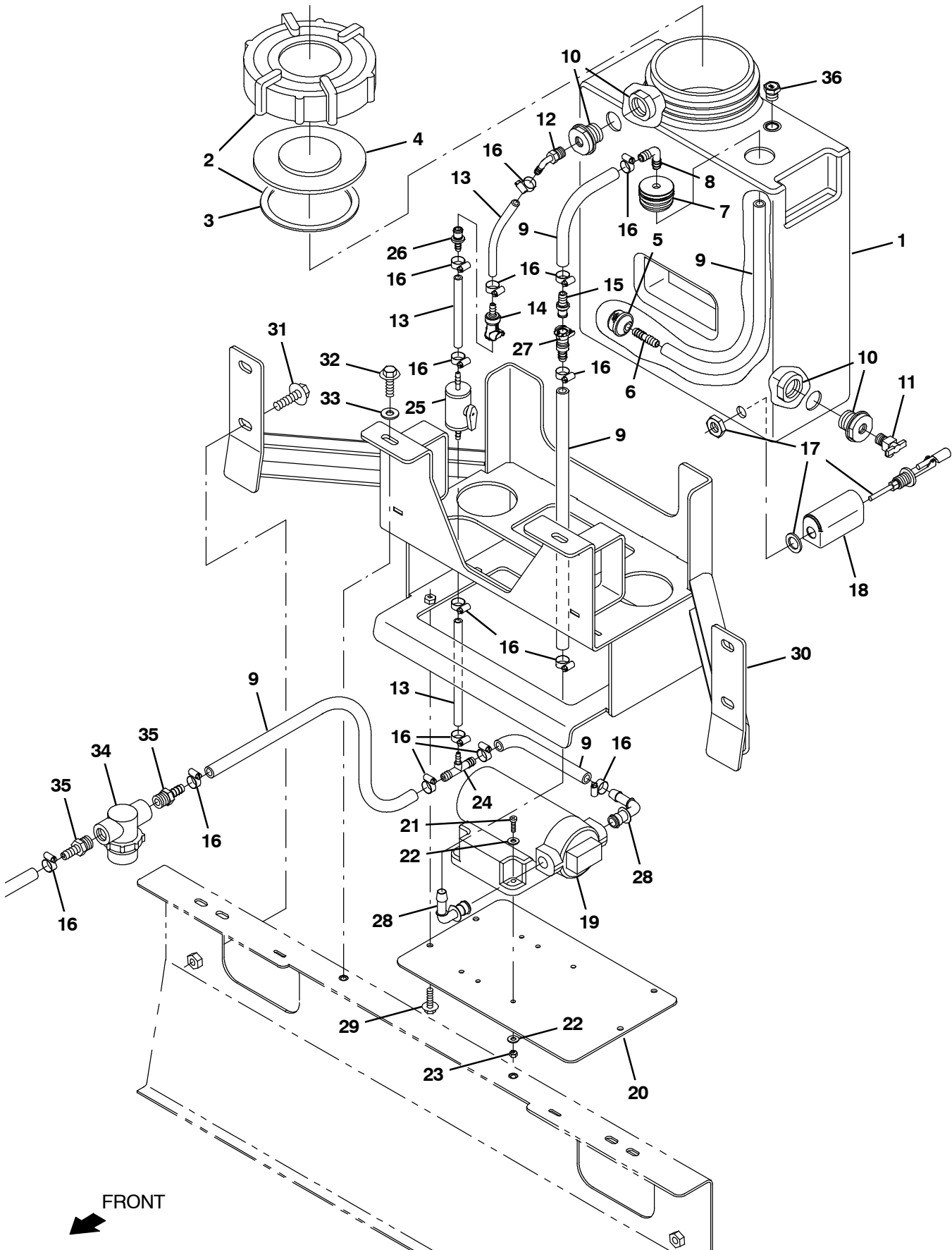
Fig. 27 - Battery Kit, 36V 340Ah Wet C/6



356000- E, NA

| Ref. | Part No. | Serial Number | Description                             | Qty. |
|------|----------|---------------|---|------|
| ▽ 1  | 1049972  | (000000-      | ) Battery, Wet, 18vdc 0340ah            | 2    |
| ▲ 2  | 47985    | (000000-      | ) Connector, Anderson, 175a, Orange     | 1    |
| 3    | 44961    | (000000-      | ) Tie, Cable, Nyl, 14.5l .30w 4.0 Max D | 3    |
| 4    | 1050077  | (000000-      | ) Harness, Wire, Battery                | 1    |
| 5    | 06946    | (000000-      | ) Screw, Hex, M6 X 1.00 X 35, 8.8       | 4    |
| 6    | 08708    | (000000-      | ) Nut, Hex, Lock, M6 X 1.00, NI         | 4    |

Fig. 28 - Wet Side Brush Dust Control Water Tank Group



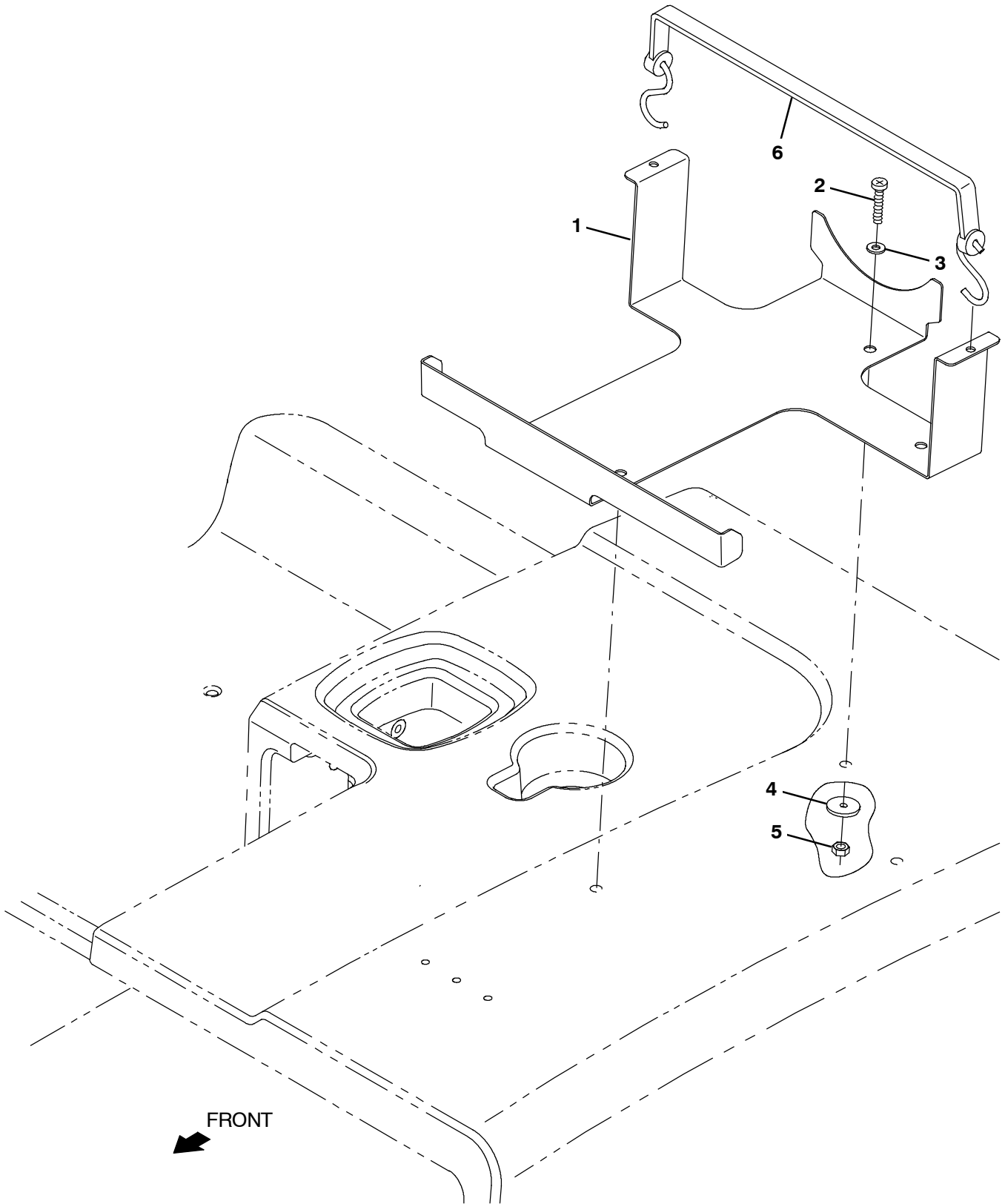
NOTE: Watershield Kit, Rh, Sbdc, Tennant Part Number 9018182, includes; Fig. 28, Fig. 29, Fig. 30, Fig. 32, and Fig. 33.

NOTE: Watershield Kit, Dual, Sbdc, Tennant Part Number 9018184, includes; Fig. 28, Fig. 29, Fig. 31, Fig. 32, and Fig. 33.

**Fig. 28 - Wet Side Brush Dust Control Water Tank Group**

| Ref. | Part No. | Serial Number | Description  | Qty. |
|------|----------|---------------|--|------|
|      | 1        | 317260        | (000000- ) Tank, Detgt, Trimmed [S20]                | 1    |
| ▽    | 2        | 24358         | (000000- ) Cap Assy, Tank, Drain                     | 1    |
| ▲    | 3        | 1031699       | (000000- ) Gasket, .19, 4.05id 5.29od [Buna]         | 1    |
|      | 4        | 86636         | (000000- ) Plug, Cap, Nat                            | 1    |
|      | 5        | 20952         | (000000- ) Screen, Pump                              | 1    |
|      | 6        | 20950         | (000000- ) Fitting, Plstc, Str, Bm06/Bm06            | 1    |
|      | 7        | 20944         | (000000- ) Grommet, Pye, 0.37id, F/1.5h, .13 Matl    | 1    |
|      | 8        | 20951         | (000000- ) Fitting, Plstc, E90, Bm06/Bm06            | 1    |
|      | 9        | 1014976       | (000000- ) Hose, Afmkt, Pvc, Brd, 0.38id, 08ft, Clr  | 1    |
|      | 10       | 1052026       | (000000- ) Fitting, Plstc, Str, Pf04/Pf04, Bh        | 2    |
|      | 11       | 51305         | (000000- ) Fitting, Draincock, E90, .25npt           | 1    |
|      | 12       | 1011170       | (000000- ) Fitting, Plstc, E90, Bm04/Pm04, Nyl       | 1    |
|      | 13       | 1006415       | (000000- ) Hose, Afmkt, Pvc, Clr, 0.25id, 03ft       | 1    |
|      | 14       | 1002898       | (000000- ) Fitting, Plstc, Str, Bm04, Cplg,Fem[Tco]  | 1    |
|      | 15       | 1203814       | (000000- ) Fitting, Plstc, Str, Bm06, Cplg, Male     | 1    |
|      | 16       | 43844         | (000000- ) Clamp, Hose, Wormdrive, 0.25- 0.62d, .31w | 15   |
|      | 17       | 385685        | (000000- ) Sensor, Level, Liq, 14vdc 01a .62- 11     | 1    |
|      | 18       | 1019285       | (000000- ) Bracket, Protector, Float Switch          | 1    |
|      | 19       | 1045633       | (000000- ) Pump, Soltn, 36vdc, 65psi [Fast li+]      | 1    |
|      | 20       | 1232471       | (000000- ) Plate, Pump Mtg                           | 1    |
|      | 21       | 06930         | (000000- ) Screw, Pan, Phl, M4 X 0.70 X 30, 4.8      | 4    |
|      | 22       | 19066         | (000000- ) Washer, Flat, 0.25b 0.56d .05, Pl, 10     | 8    |
|      | 23       | 33932         | (000000- ) Nut, Hex, Lock, M4 X 0.70, NI, Ss         | 4    |
|      | 24       | 61456         | (000000- ) Fitting, Plstc, Tee, Bm03/Bm06/Bm06, Br   | 1    |
|      | 25       | 1232030       | (000000- ) Valve, Shutoff, Bm04/Bm04, Pvc            | 1    |
|      | 26       | 1204338       | (000000- ) Fitting, Plstc, Str, Bm04, Cplg, Male     | 1    |
|      | 27       | 1203454       | (000000- ) Fitting, Plstc, Str, Bm06, Cplg, Fem      | 1    |
|      | 28       | 1049259       | (000000- ) Fitting, Nyl, Qdc, E90, Bm06/ Qm10        | 2    |
|      | 29       | 1037345       | (000000- ) Screw, Hex, M6 X 1.00 X 30, 9.8, Sems     | 4    |
|      | 30       | 1232379       | (000000- ) Bracket Wldt, Tank/Pump Sppt [S20]        | 1    |
|      | 31       | 1037358       | (000000- ) Screw, Hex, M10 X 1.50 X 35, 9.8, Sems    | 4    |
|      | 32       | 1037346       | (000000- ) Screw, Hex, M8 X 1.25 X 25, 9.8, Sems     | 2    |
|      | 33       | 32491         | (000000- ) Washer, Flat, 0.31, Std                   | 2    |
| ▽    | 34       | 1076437       | (000000- ) Filter, In- Line, Pf06/Pf06 60 Micron     | 1    |
| ▲    |          | 1076438       | (000000- ) Screen, Fltr, 60 Micron, Caged Ss         | 1    |
|      | 35       | 150538        | (000000- ) Fitting, Plstc, Str, Bm06/Pm06            | 2    |
|      | 36       | 1241776       | (000000- ) Fitting, Brs, 3/8npt, Valve, Breather     | 1    |

**Fig. 29 - Wet Side Brush Dust Control Water Tank Retainer Group**



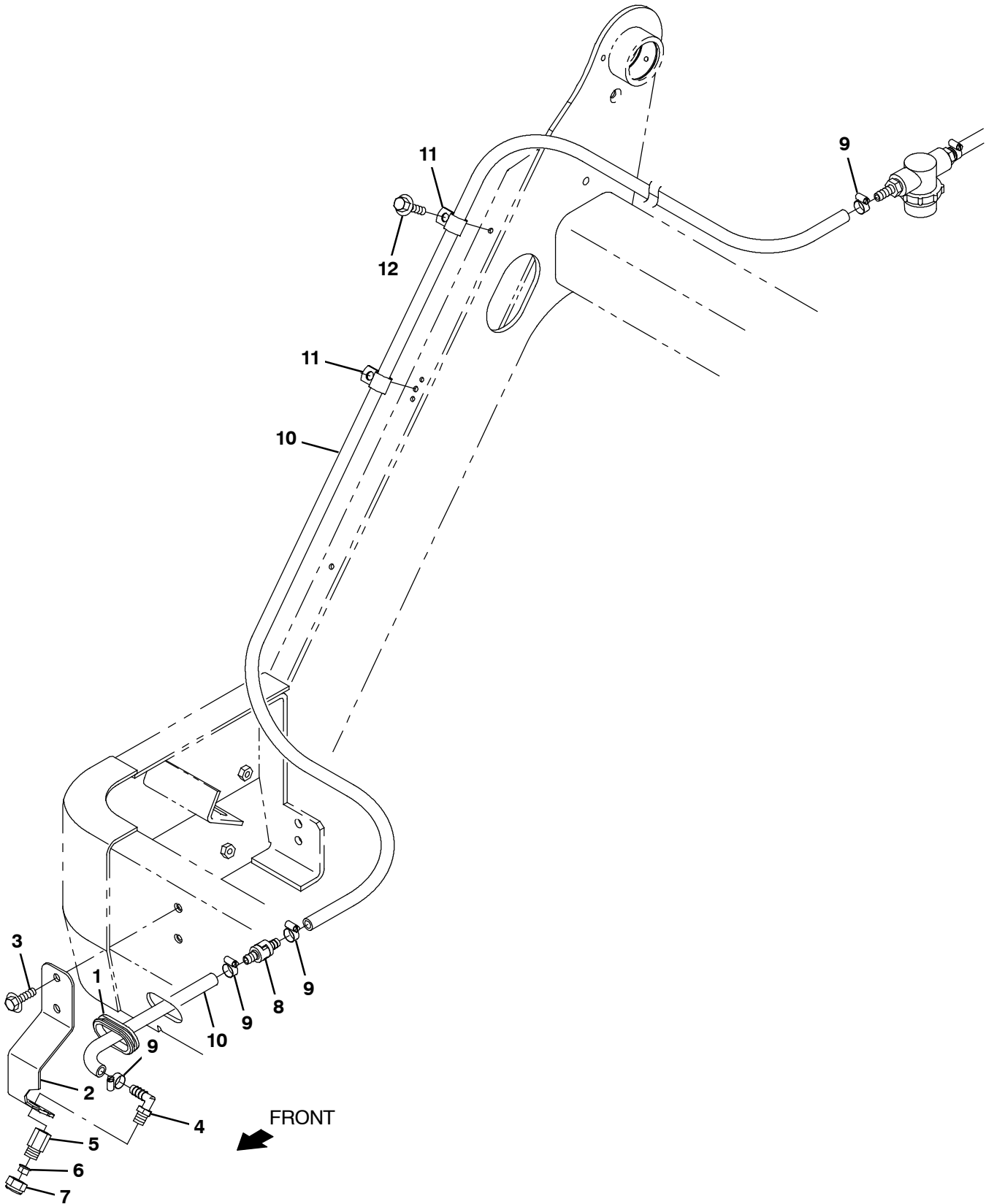
*NOTE: Watershield Kit, Rh, Sbdc, Tennant Part Number 9018182, includes; Fig. 28, Fig. 29, Fig. 30, and Fig. 32.*

*NOTE: Watershield Kit, Dual, Sbdc, Tennant Part Number 9018184, includes; Fig. 28, Fig. 29, Fig. 31, and Fig. 32*

**Fig. 29 - Wet Side Brush Dust Control Water Tank Retainer Group**

| <b>Ref.</b> | <b>Part No.</b> | <b>Serial Number</b> | <b>Description</b>                      | <b>Qty.</b> |
|-------------|-----------------|----------------------|---|-------------|
| 1           | 1233457         | (000000-             | ) Bracket, Tank Retainer                | 1           |
| 2           | 317232          | (000000-             | ) Screw, Pan, Phl, M6 X 1.00 X 60, Zn   | 3           |
| 3           | 32483           | (000000-             | ) Washer, Flat, 0.25, Sae               | 3           |
| 4           | 386063          | (000000-             | ) Washer, Flat, 0.25b 1.12d .12, Ss     | 3           |
| 5           | 08708           | (000000-             | ) Nut, Hex, Lock, M6 X 1.00, NI         | 3           |
| 6           | 33671           | (000000-             | ) Strap, Rbr, Tie- Down, 19.0l, 2/ Hook | 1           |

Fig. 30 - Wet Right Hand Side Brush Dust Control Spray Nozzle Group



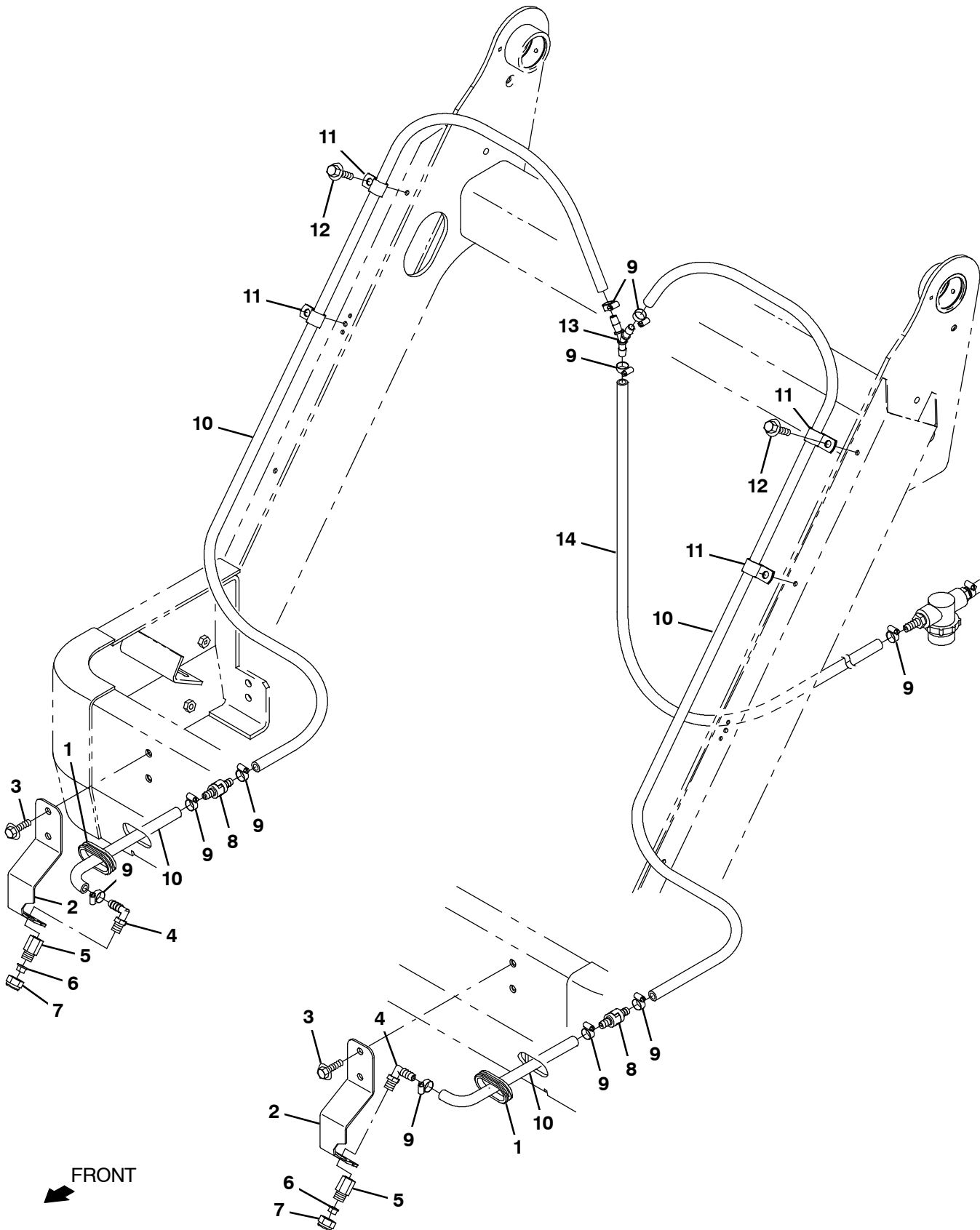
NOTE: Watershield Kit, Rh, Sbdc, Tennant Part Number 9018182, includes; Fig. 28, Fig. 29, Fig. 30, and Fig. 32.

NOTE: Watershield Kit, Dual, Sbdc, Tennant Part Number 9018184, includes; Fig. 28, Fig. 29, Fig. 31, and Fig. 32

**Fig. 30 - Wet Right Hand Side Brush Dust Control Spray Nozzle Group**

| <b>Ref.</b> | <b>Part No.</b> | <b>Serial Number</b> | <b>Description</b>                          | <b>Qty.</b> |
|-------------|-----------------|----------------------|---|-------------|
| 1           | 10632- 13       | (000000-             | ) Grommet, Rbr, 1.50id, F/1.8h, .19 Matl    | 1           |
| 2           | 1232473         | (000000-             | ) Bracket, Mtg, Sgl Spray Nozzle [S20]      | 1           |
| 3           | 1037346         | (000000-             | ) Screw, Hex, M8 X 1.25 X 25, 9.8, Sems     | 2           |
| 4           | 57248           | (000000-             | ) Fitting, Plstc, E90, Bm06/Pm04, Nyl       | 1           |
| 5           | 1232066         | (000000-             | ) Fitting, Body, Nozzel, Brs                | 1           |
| 6           | 1232065         | (000000-             | ) Nozzle, Spray, 110 Deg, 0.05 Gpm          | 1           |
| 7           | 769778          | (000000-             | ) Fitting, Cap, Brs                         | 1           |
| 8           | 1015455         | (000000-             | ) Valve, Check, 0005psi Bm06/Bm06           | 1           |
| 9           | 43844           | (000000-             | ) Clamp, Hose, Wormdrive, 0.25- 0.62d, .31w | 4           |
| 10          | 1014976         | (000000-             | ) Hose, Afmkt, Pvc, Brd, 0.38id, 08ft, Clr  | 1           |
| 11          | 07471           | (000000-             | ) Clamp, Cable, Stl, 0.75d X 0.75w, 1hole   | 2           |
| 12          | 763045          | (000000-             | ) Screw, Hex, M8 X 1.25 X 20, Fmg           | 2           |

Fig. 31 - Wet Dual Side Brush Dust Control Spray Nozzle Group



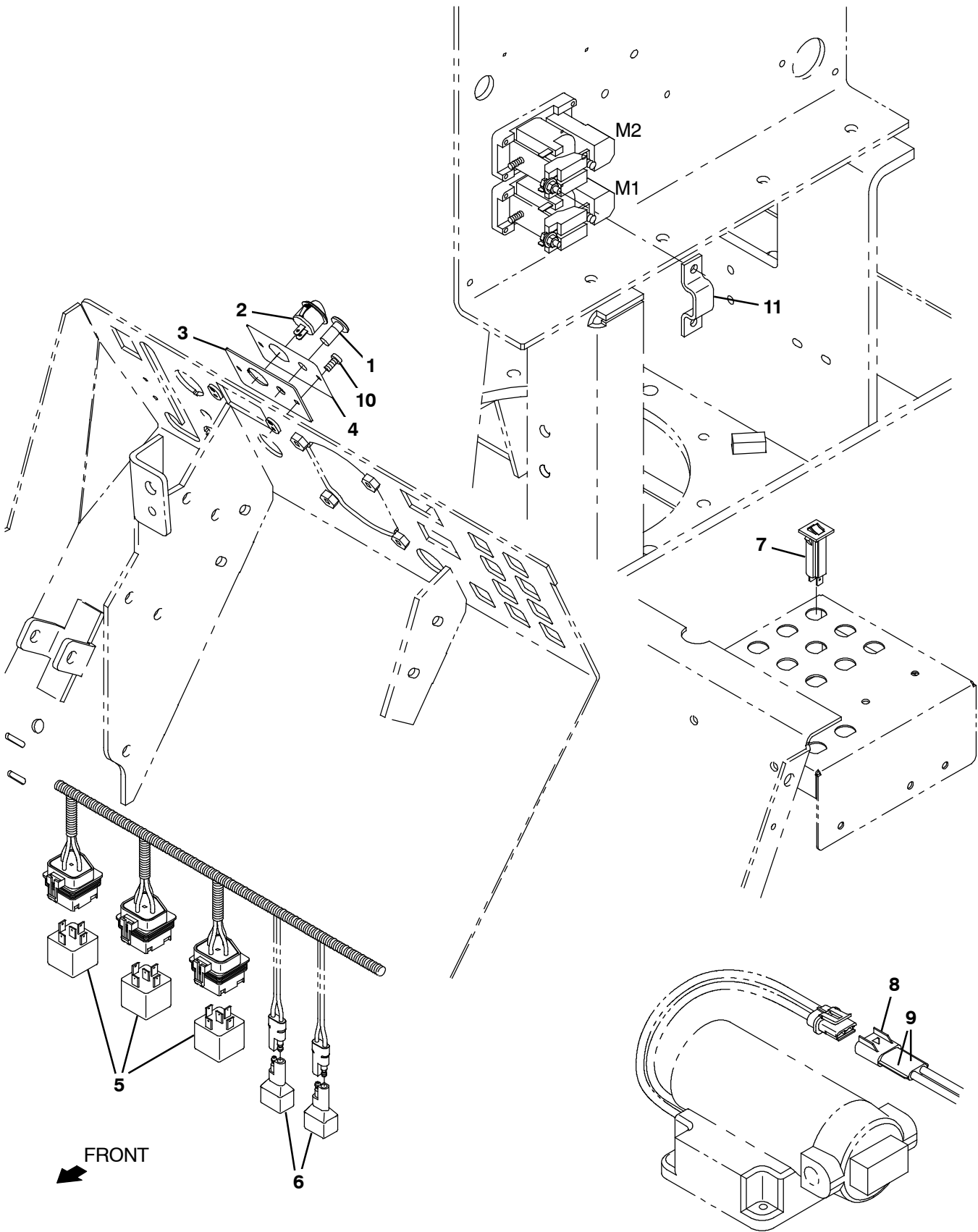
NOTE: Watershield Kit, Rh, Sbdc, Tennant Part Number 9018182, includes; Fig. 28, Fig. 29, Fig. 30, and Fig. 32.

NOTE: Watershield Kit, Dual, Sbdc, Tennant Part Number 9018184, includes; Fig. 28, Fig. 29, Fig. 31, and Fig. 32

**Fig. 31 - Wet Dual Side Brush Dust Control Spray Nozzle Group**

| <b>Ref.</b> | <b>Part No.</b> | <b>Serial Number</b> | <b>Description</b>                          | <b>Qty.</b> |
|-------------|-----------------|----------------------|---|-------------|
| 1           | 10632- 13       | (000000-             | ) Grommet, Rbr, 1.50id, F/1.8h, .19 Matl    | 1           |
| 2           | 1232473         | (000000-             | ) Bracket, Mtg, Sgl Spray Nozzle [S20]      | 2           |
| 3           | 1037346         | (000000-             | ) Screw, Hex, M8 X 1.25 X 25, 9.8, Sems     | 4           |
| 4           | 57248           | (000000-             | ) Fitting, Plstc, E90, Bm06/Pm04, Nyl       | 2           |
| 5           | 1232066         | (000000-             | ) Fitting, Body, Nozzel, Brs                | 2           |
| 6           | 1232065         | (000000-             | ) Nozzle, Spray, 110 Deg, 0.05 Gpm          | 2           |
| 7           | 769778          | (000000-             | ) Fitting, Cap, Brs                         | 2           |
| 8           | 1015455         | (000000-             | ) Valve, Check, 0005psi Bm06/Bm06           | 2           |
| 9           | 43844           | (000000-             | ) Clamp, Hose, Wormdrive, 0.25- 0.62d, .31w | 9           |
| 10          | 1014981         | (000000-             | ) Hose, Afmkt, Pvc, Brd, 0.38id, 20ft, Clr  | 1           |
| 11          | 07471           | (000000-             | ) Clamp, Cable, Stl, 0.75d X 0.75w, 1hole   | 4           |
| 12          | 763045          | (000000-             | ) Screw, Hex, M8 X 1.25 X 20, Fmg           | 4           |
| 13          | 1017255         | (000000-             | ) Fitting, Plstc, Y, Bm06/Bm06/Bm06, Nyl    | 1           |
| 14          | 1014976         | (000000-             | ) Hose, Afmkt, Pvc, Brd, 0.38id, 08ft, Clr  | 1           |

Fig. 32 - Wet Side Brush Dust Control Electrical Group



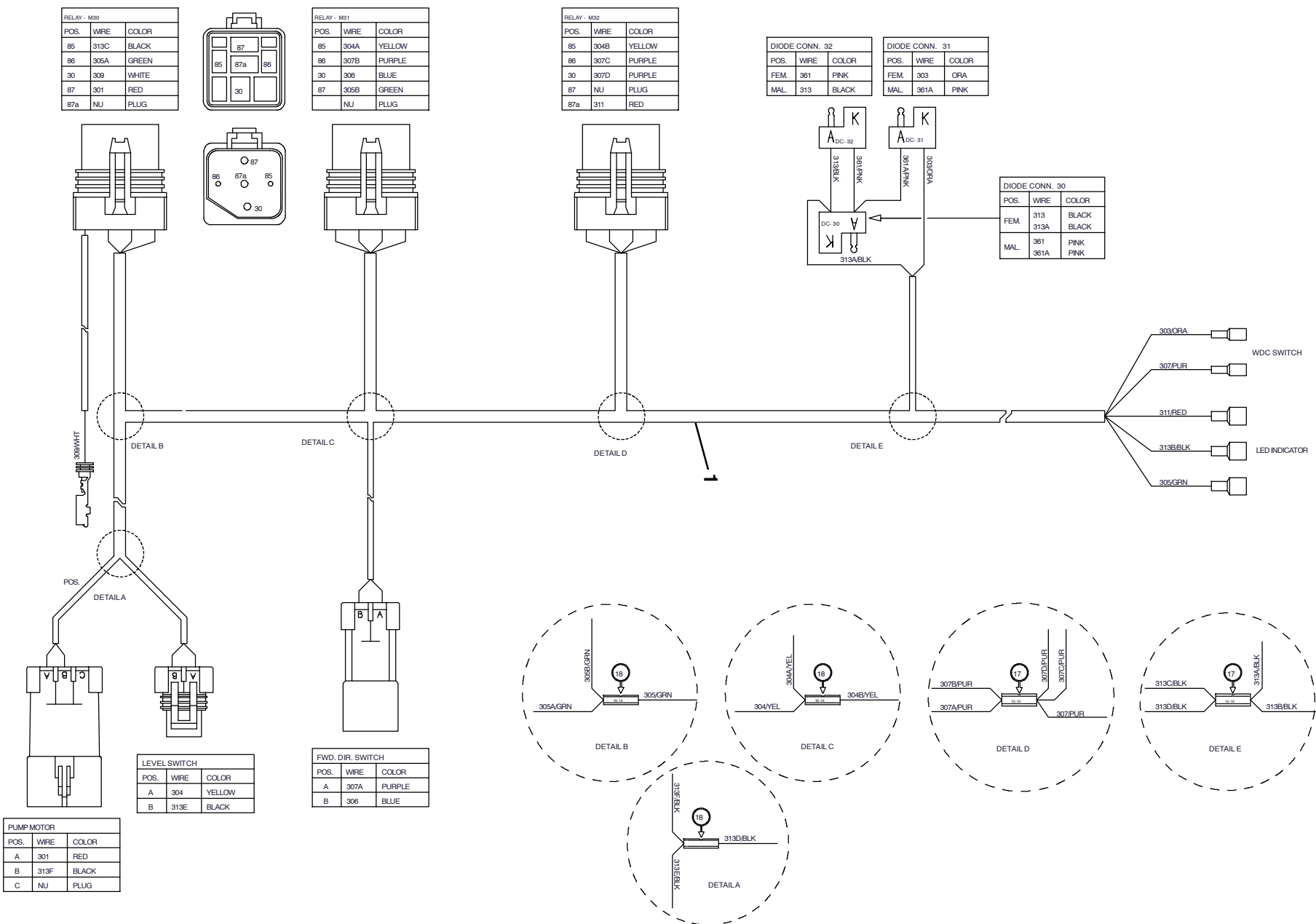
NOTE: Watershield Kit, Rh, Sbdc, Tennant Part Number 9018182, includes; Fig. 28, Fig. 29, Fig. 30, and Fig. 32.

NOTE: Watershield Kit, Dual, Sbdc, Tennant Part Number 9018184, includes; Fig. 28, Fig. 29, Fig. 31, and Fig. 32

**Fig. 32 - Wet Side Brush Dust Control Electrical Group**

| <b>Ref.</b> | <b>Part No.</b> | <b>Serial Number</b> | <b>Description</b>                       | <b>Qty.</b> |
|-------------|-----------------|----------------------|--|-------------|
| 1           | 1238242         | (000000-             | ) Light, Led, .312d, 36 Vdc [Tri- Color] | 1           |
| 2           | 1233938         | (000000-             | ) Switch, Rocker, Spst, Round            | 1           |
| 3           | 1232484         | (000000-             | ) Plate, Switch / Light Mtg              | 1           |
| 4           | 1233799         | (000000-             | ) Label, Watershield [S20]               | 1           |
| 5           | 222111          | (000000-             | ) Relay, 36vdc, 20a [Pokorny]            | 3           |
| 6           | 222290          | (000000-             | ) Diode, Ele, Plug                       | 2           |
| 7           | 1064188         | (000000-             | ) Circuitbreaker, 15.0a, Resetable       | 1           |
| 8           | 25850           | (000000-             | ) Connector, Mal, 2cav, Mp280 Sealed     | 1           |
| 9           | 78951           | (000000-             | ) Terminal, Fem, Mp280, Sealed, 18- 16ga | 2           |
| 10          | 1069315         | (000000-             | ) Screw, Pan, Phl, M4 X 0.70 X 10, Blk   | 2           |
| 11          | 1240481         | (000000-             | ) Buss Bar, Copper, Offset, Contactor    | 1           |

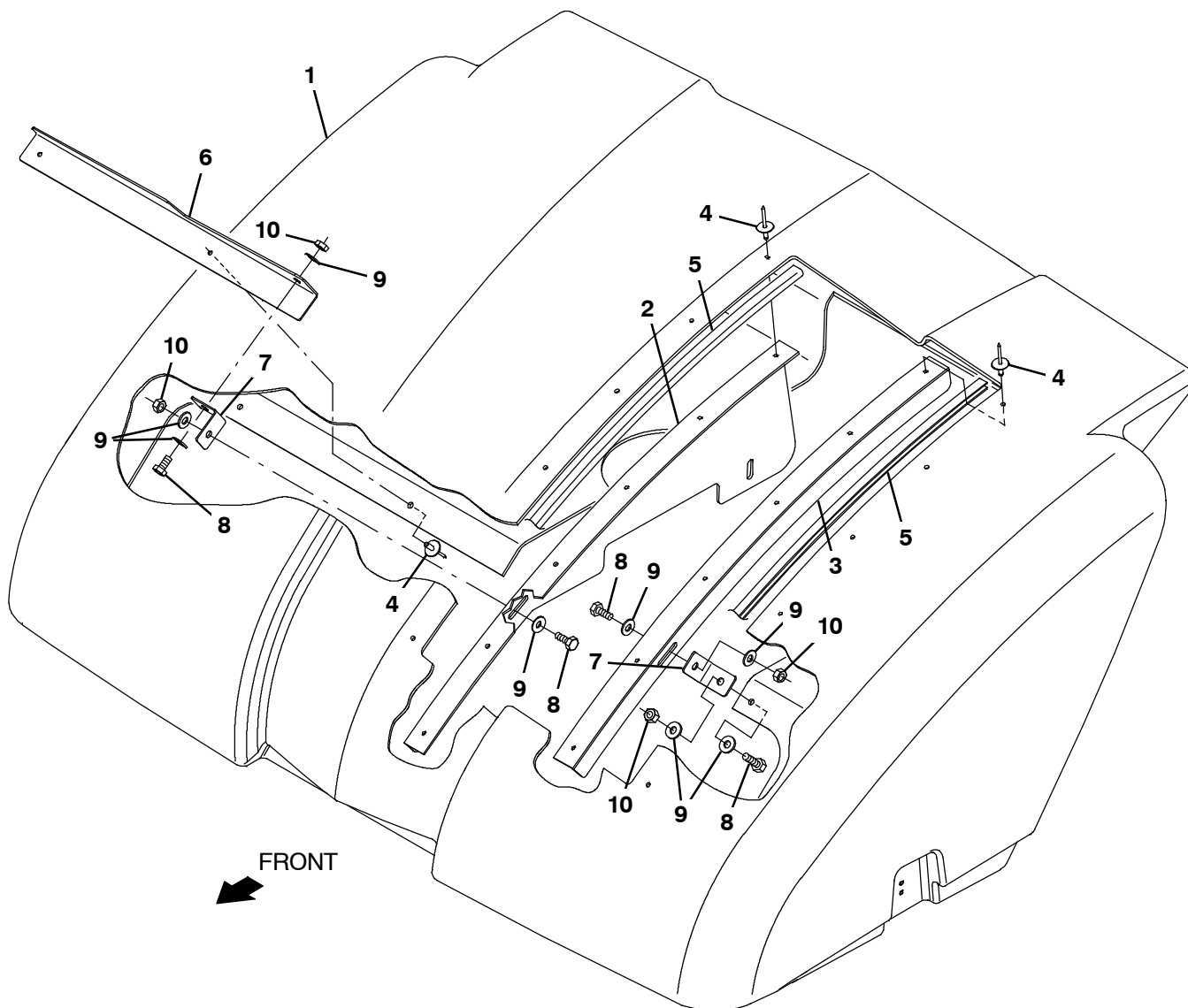
Fig. 33 - Wet Side Brush Dust Control Wire Harness Group



**Fig. 33 - Wet Side Brush Dust Control Wire Harness Group**

| <b>Ref.</b> | <b>Part No.</b> | <b>Serial Number</b> | <b>Description</b>                 | <b>Qty.</b> |
|-------------|-----------------|----------------------|------------------------------------|-------------|
| 1           | 1234106         | (000000-             | ) Harness, Cntrl, Wet Dust [S20ic] | 1           |

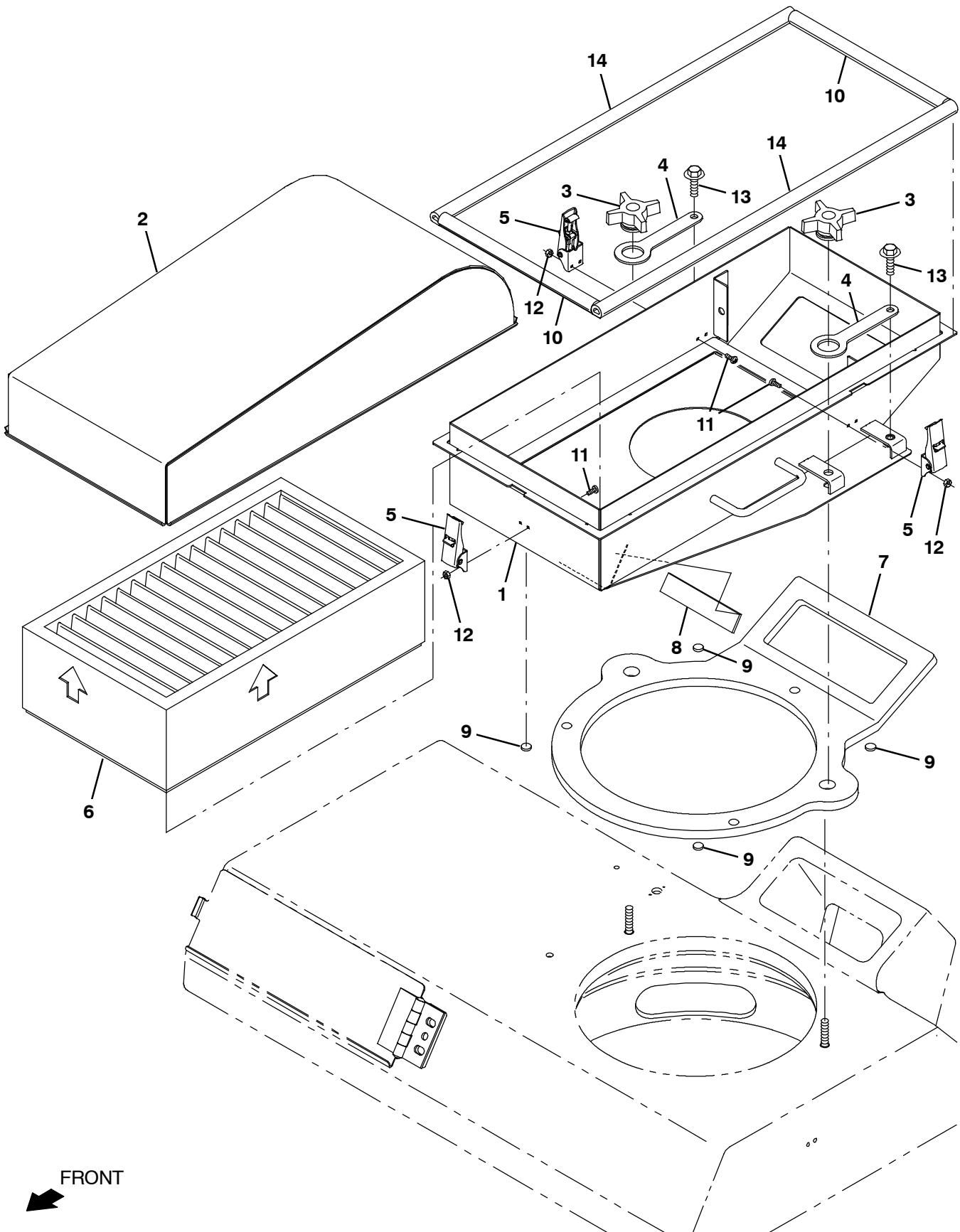
Fig. 34 - HEPA Filter Hopper Cover Group



**Fig. 34 - HEPA Filter Hopper Cover Group**

| <b>Ref.</b> | <b>Part No.</b> | <b>Serial Number</b> | <b>Description</b>                         | <b>Qty.</b> |
|-------------|-----------------|----------------------|--|-------------|
| 1           | 1076382         | (000000-             | ) Cover, Hppr, Re- Work [S20]              | 1           |
| 2           | 1076384         | (000000-             | ) Hood, Stiffener Wldt Rh [S20]            | 1           |
| 3           | 1076354         | (000000-             | ) Hood, Stiffener Wldt Lh [S20]            | 1           |
| 4           | 68567           | (000000-             | ) Rivet, Blind, .187d X 0.53 X .62d, Alm   | 15          |
| 5           | 1046410         | (000000-             | ) Molding, Afmkt, Trim, Pvc, .18 .31, 20ft | 1           |
| 6           | 1076355         | (000000-             | ) Bar, Sppt, Hppr Cover [S20]              | 1           |
| 7           | 1076356         | (000000-             | ) Bracket, Stiffener [S20]                 | 1           |
| 8           | 06943           | (000000-             | ) Screw, Hex, M6 X 1.00 X 20, 8.8          | 4           |
| 9           | 32483           | (000000-             | ) Washer, Flat, 0.25, Sae                  | 8           |
| 10          | 08708           | (000000-             | ) Nut, Hex, Lock, M6 X 1.00, NI            | 4           |

Fig. 35 - HEPA Filter Box Group



**Fig. 35 - HEPA Filter Box Group**

| <b>Ref.</b> | <b>Part No.</b> | <b>Serial Number</b> | <b>Description</b>                        | <b>Qty.</b> |
|-------------|-----------------|----------------------|---|-------------|
| 1           | 1076253         | (000000-             | ) Filter Box Wldt, Hepa, Lower [S20]      | 1           |
| 2           | 1076249         | (000000-             | ) Hepa Airbox, Upper [S20]                | 1           |
| 3           | 1048335         | (000000-             | ) Knob, Star, 2.75d 4ear 1.1l M8x1.25     | 2           |
| 4           | 1048353         | (000000-             | ) Strap, Rbr                              | 2           |
| 5           | 384418          | (000000-             | ) Latch, Door [Southco 91- 562- 07]       | 3           |
| 6           | 1076004         | (000000-             | ) Element, Fltr, Hepa, 10 X 18 X 4.87 S20 | 1           |
| 7           | 1044356         | (000000-             | ) Gasket, Cover                           | 1           |
| 8           | 764139          | (000000-             | ) Strip, Rbr, Short                       | 1           |
| 9           | 64757           | (000000-             | ) Bumper, Rbr, Adh, 0.50d 0.14th          | 4           |
| 10          | 1246677         | (000000-             | ) Seal, Afmkt, Bulb, Str, 0.50h .50w 1ft  | 2           |
| 11          | 49697           | (000000-             | ) Screw, Pan, Phl, M4 X 0.70 X 10, Ss     | 6           |
| 12          | 33932           | (000000-             | ) Nut, Hex, Lock, M4 X 0.70, NI, Ss       | 6           |
| 13          | 1037346         | (000000-             | ) Screw, Hex, M8 X 1.25 X 25, 9.8, Sems   | 2           |
| 14          | 1246678         | (000000-             | ) Seal, Afmkt, Bulb, Str, 0.50h .50w 3ft  | 2           |

**Fig. 36 - Documentation Group**

E, NA

| Ref. | Part No. | Serial Number | Description                                       | Qty. |
|------|----------|---------------|---|------|
|      | 9006704  | (000000-      | ) Manual, Oprtr [S20 Elec, En]                    | 1    |
|      | 9006705  | (000000-      | ) Manual, Oprtr [S20 Elec, Es]                    | 1    |
|      | 9006706  | (000000-      | ) Manual, Oprtr [S20 Elec, Fr]                    | 1    |
|      | 9006707  | (000000-      | ) Manual, Oprtr [S20 Elec, Jp]                    | 1    |
|      | 9006708  | (000000-      | ) Manual, Parts [S20 Ele, En]                     | 1    |
|      | 9006710  | (000000-      | ) Manual, Oprtr [S20 Ele, Cn]                     | 1    |
|      | 9006711  | (000000-      | ) Manual, Oprtr [S20 Ele, Ptb]                    | 1    |
|      | 9006727  | (000000-      | ) Video, Oprtr, Dvd [S20 En, Es, Fr]              | 1    |
|      | 9006724  | (000000-      | ) Manual, Service [S20 Gas/Lpg/Dsl, En]           | 1    |
|      | 9009383  | (000000-      | ) Instr, Use&Care, Wallchart [Ts20] (ONLINE ONLY) | 1    |



To view, print, order, download the latest Parts manual, other language Operator manuals, and Use and Care Guides (wall charts), visit:

[www.tennantco.com/manual](http://www.tennantco.com/manual)

# **SECTION 4**

| <b>Contents</b>   | <b>Page</b> |
|---|-------------|
| Fig. 1 - Hydraulic Gear Motor Breakdown,<br>361026 .....      | 4- 2        |
| Fig. 2 - Hydraulic Control Valve Breakdown,<br>361012 .....   | 4- 4        |
| Fig. 3 - Hydraulic Steering Valve Breakdown,<br>74173 .....   | 4- 6        |
| Fig. 4 - Electric Motor Breakdown, 360065 ....                | 4- 7        |
| Fig. 5 - Electric Motor Breakdown, 360175 ....                | 4- 8        |
| Fig. 6 - Hydraulic Solenoid Valve Breakdown,<br>1046688 ..... | 4- 9        |
| Fig. 7 - Hydraulic Solenoid Valve Breakdown,<br>1045994 ..... | 4- 10       |
| Fig. 8 - Hydraulic Solenoid Valve Breakdown,<br>1237088 ..... | 4- 11       |
| Fig. 9 - Hydraulic Solenoid Valve Breakdown,<br>1237086 ..... | 4- 12       |

**Fig. 1 - Hydraulic Gear Motor Breakdown, 361026**

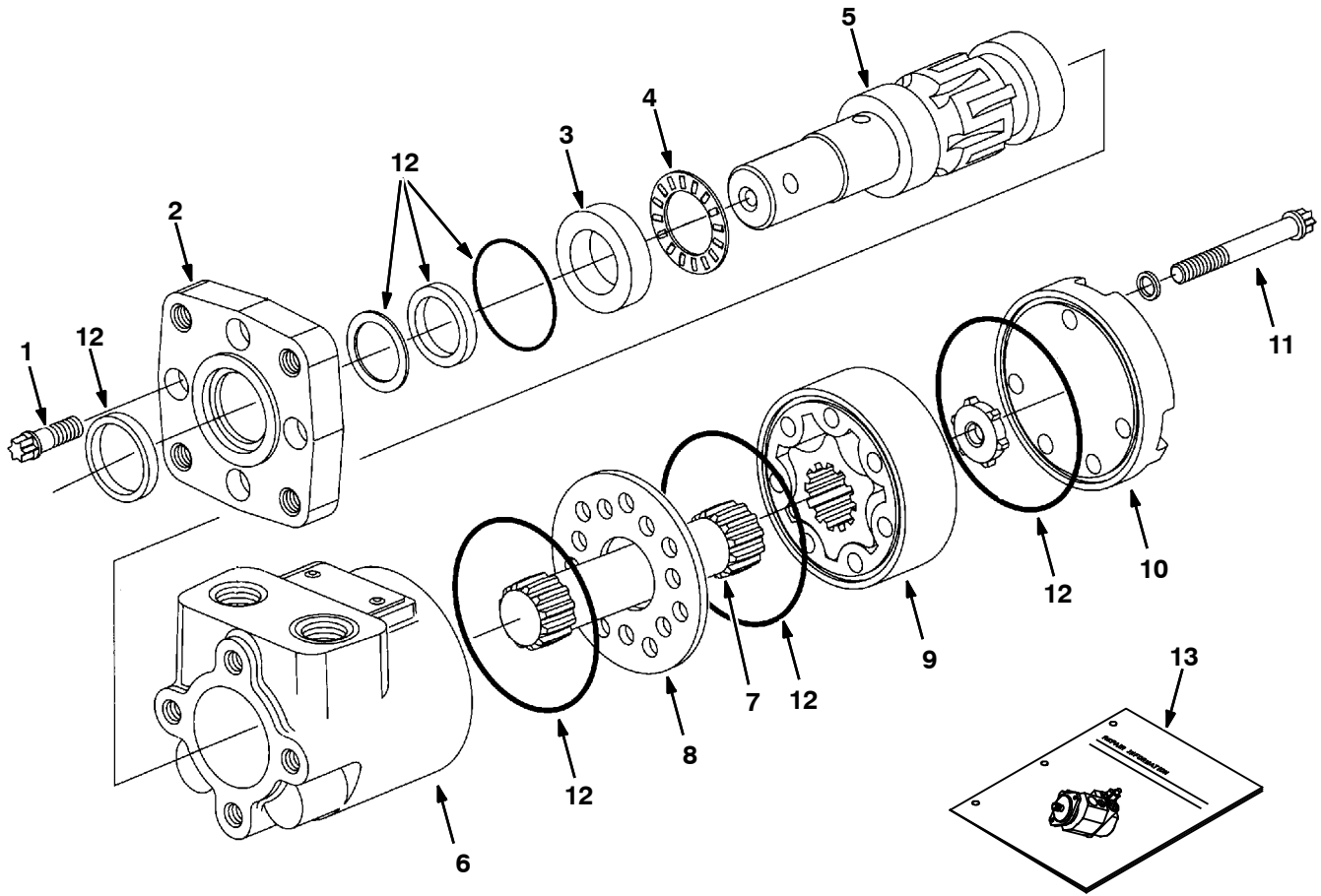


Fig. 1 - Hydraulic Gear Motor Breakdown, 361026

|   | Ref. | Part No. | Serial Number | Description                      | Qty. |
|---|------|----------|---------------|----------------------------------|------|
| ▽ |      | 361026   | (000000-      | ) Motor, Hyd Gear In 08.9 B 1500 | 1    |
| ▲ | 1    | 37555    | (000000-      | ) Screw                          | 4    |
| ▲ | 2    | 31354    | (000000-      | ) Flange Mounting                | 1    |
| ▲ | 3    | 16695    | (000000-      | ) Race Thrust                    | 1    |
| ▲ | 4    | 45628    | (000000-      | ) Thrust Bearing                 | 1    |
| ▲ | 5    | 31373    | (000000-      | ) Shaft, Output                  | 1    |
| ▲ | 6    | 74100    | (000000-      | ) Housing                        | 1    |
| ▲ | 7    | 21955    | (000000-      | ) Drive                          | 1    |
| ▲ | 8    | 74094    | (000000-      | ) Spacer Plate                   | 1    |
| ▲ | 9    | 21956    | (000000-      | ) Gerotor Set                    | 1    |
| ▲ | 10   | 65230    | (000000-      | ) Cap, End                       | 1    |
| ▲ | 11   | 21958    | (000000-      | ) Cap Screw                      | 5    |
| ▲ | 12   | 28835    | (000000-      | ) Seal Kit, Motor A/H- Stnd      | 1    |
|   | 13   | 74250    | (000000-      | ) Instr. Repair Info, Motor      | 1    |

**Fig. 2 - Hydraulic Control Valve Breakdown, 361012**

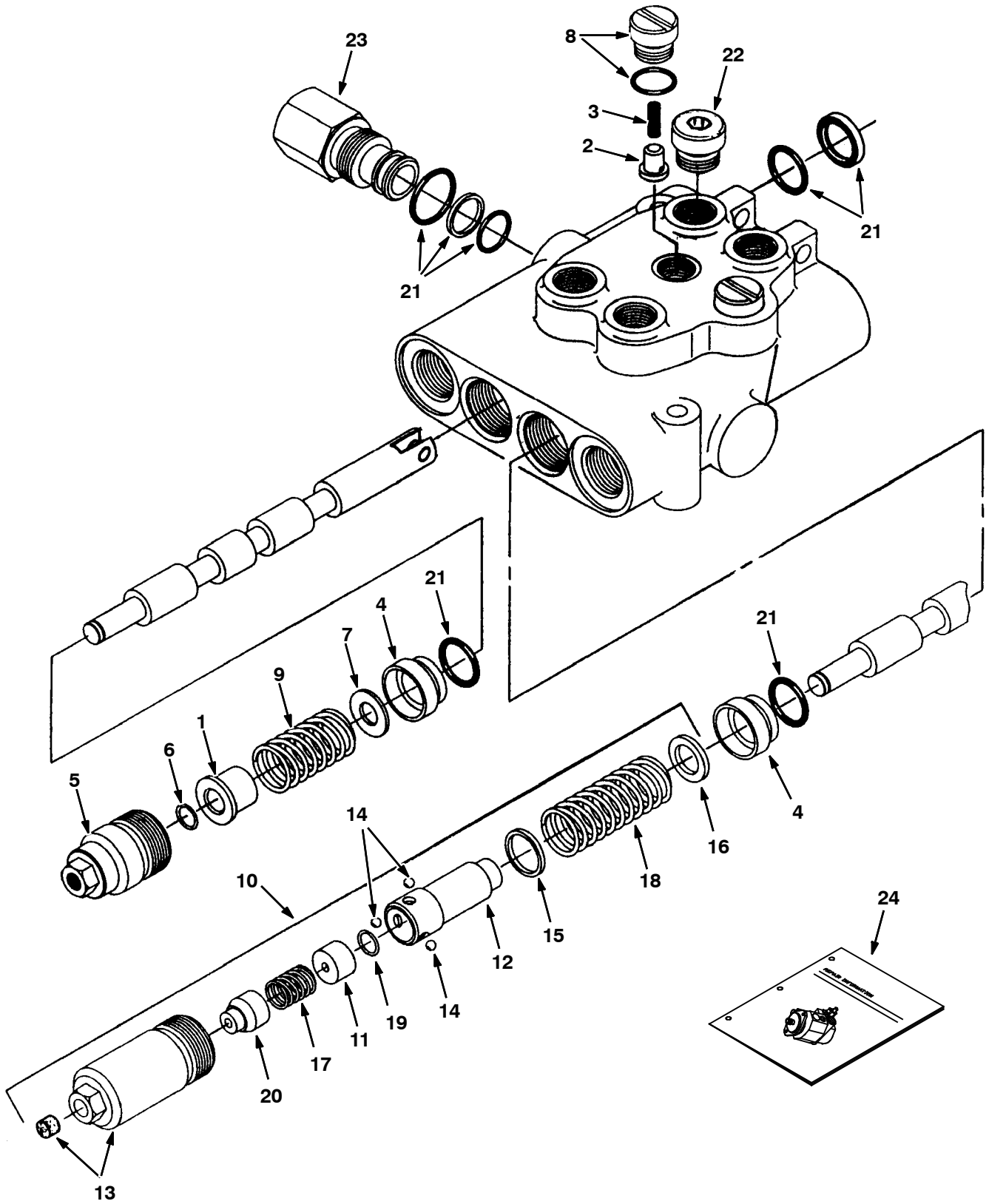
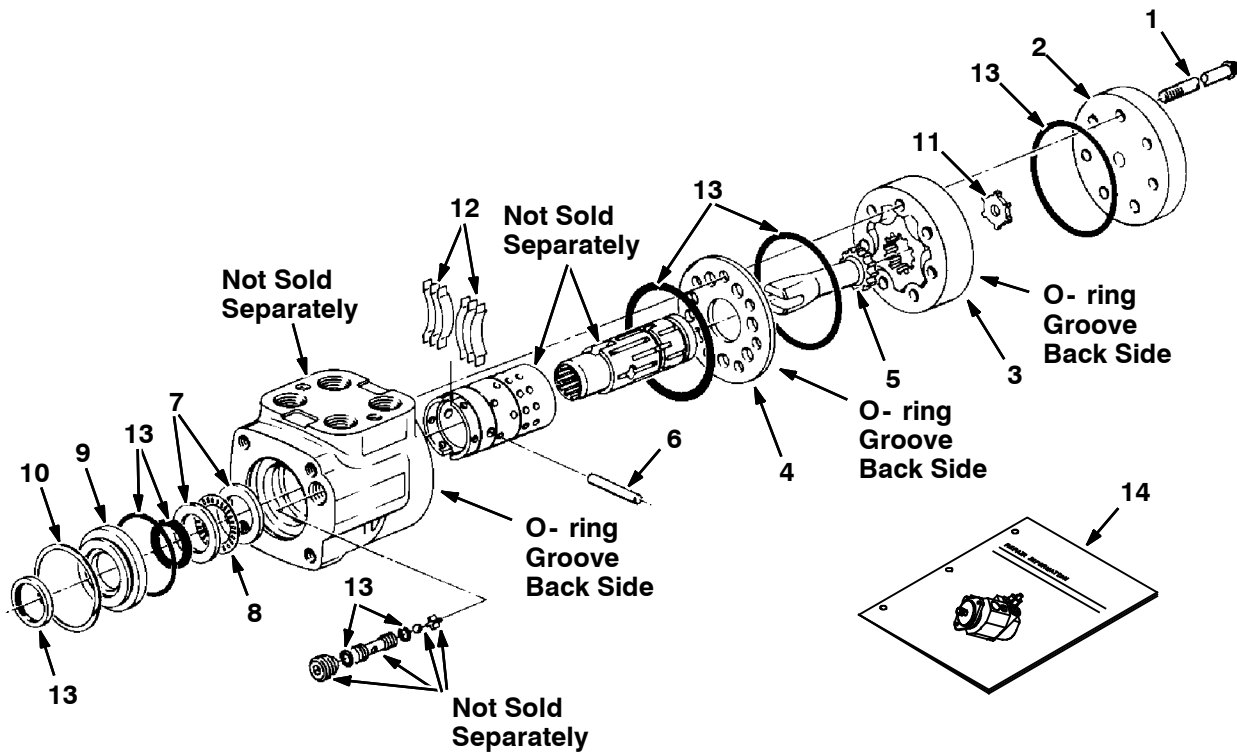


Fig. 2 - Hydraulic Control Valve Breakdown, 361012

| Ref. | Part No.  | Serial Number | Description                | Qty. |
|------|-----------|---------------|----------------------------|------|
| ▽    | 361012    | (000000-      | ) Valve, Hyd Control Man   | 1    |
| ▲    | 1 79785   | (000000-      | ) Spacer                   | 1    |
| ▲    | 2 79786   | (000000-      | ) Plunger                  | 2    |
| ▲    | 3 79787   | (000000-      | ) Spring                   | 2    |
| ▲    | 4 79788   | (000000-      | ) Bushing                  | 2    |
| ▲    | 5 79789   | (000000-      | ) Cap Assembly             | 1    |
| ▲    | 6 79792   | (000000-      | ) Ring, Retaining          | 1    |
| ▲    | 7 79794   | (000000-      | ) Washer                   | 1    |
| ▲    | 8 79795   | (000000-      | ) Plug & O- Ring           | 2    |
| ▲    | 9 79796   | (000000-      | ) Spring                   | 1    |
| ▲▽   | 10 79814  | (000000-      | ) Kit, Detent In           | 1    |
| ▲▲   | 11 79801  | (000000-      | ) Spacer                   | 1    |
| ▲▲   | 12 79802  | (000000-      | ) Detent Adaptr            | 1    |
| ▲▲   | 13 21961  | (000000-      | ) Cap Assembly             | 1    |
| ▲▲   | 14 79804  | (000000-      | ) Ball                     | 3    |
| ▲▲   | 15 79805  | (000000-      | ) Washer                   | 1    |
| ▲▲   | 16 79806  | (000000-      | ) Washer                   | 1    |
| ▲▲   | 17 79807  | (000000-      | ) Spring                   | 1    |
| ▲▲   | 18 79808  | (000000-      | ) Spring                   | 1    |
| ▲▲   | 19 79792  | (000000-      | ) Ring, Retaining          | 1    |
| ▲▲   | 20 79800  | (000000-      | ) Cone                     | 1    |
| ▲    | 21 79812  | (000000-      | ) Seal Kit, Vlv            | 1    |
| ▲    | 22 13904  | (000000-      | ) Plug Gage #6             | 2    |
|      | 23 361028 | (000000-      | ) Plug Assy,Byd            | 1    |
|      | 24 79820  | (000000-      | ) Instr. Valve Repair Info | 1    |

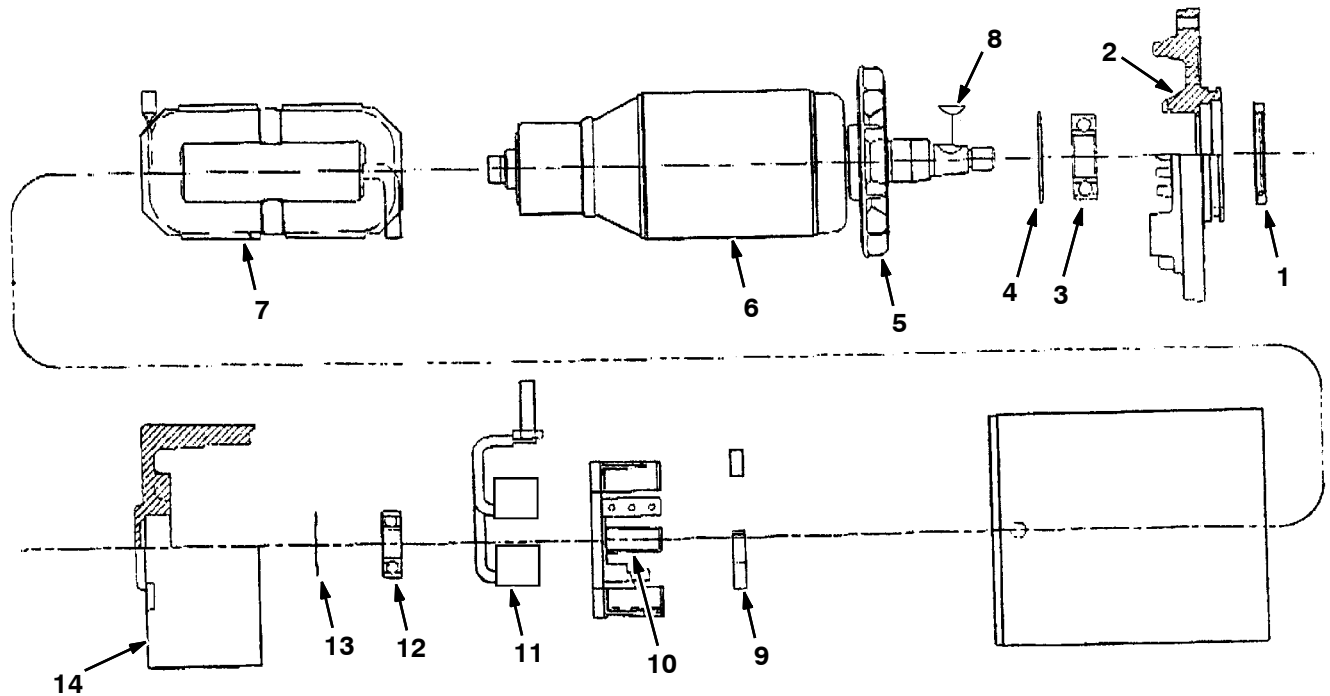
**Fig. 3 - Hydraulic Steering Valve Breakdown, 74173**



09670 - E

| Ref. | Part No. | Serial Number | Description                           | Qty. |
|------|----------|---------------|---------------------------------------|------|
| ▽    | 74173    | (000000-      | ) Valve, Hydraulic Steering 07.3 0600 | 1    |
| ▲    | 1 74191  | (000000-      | ) Cap, Screw                          | 7    |
| ▲    | 2 74181  | (000000-      | ) Cap, End                            | 1    |
| ▲    | 3 71574  | (000000-      | ) Gerotor Set                         | 1    |
| ▲    | 4 74182  | (000000-      | ) Plate, Wear                         | 1    |
| ▲    | 5 58596  | (000000-      | ) Drive                               | 1    |
| ▲    | 6 74218  | (000000-      | ) Pin                                 | 1    |
| ▲    | 7 74109  | (000000-      | ) Race, Bearing                       | 2    |
| ▲    | 8 74110  | (000000-      | ) Bearing, Needle                     | 1    |
| ▲    | 9 74112  | (000000-      | ) Retainer, Front                     | 1    |
| ▲    | 10 74111 | (000000-      | ) Ring, Retaining                     | 1    |
| ▲    | 11 74140 | (000000-      | ) Spacer                              | 1    |
| ▲    | 12 74195 | (000000-      | ) Spring Kit                          | 1    |
| ▲    | 13 74190 | (000000-      | ) Seal Kit                            | 1    |
| ▲    | 14 74251 | (000000-      | ) Repair Info                         | 1    |

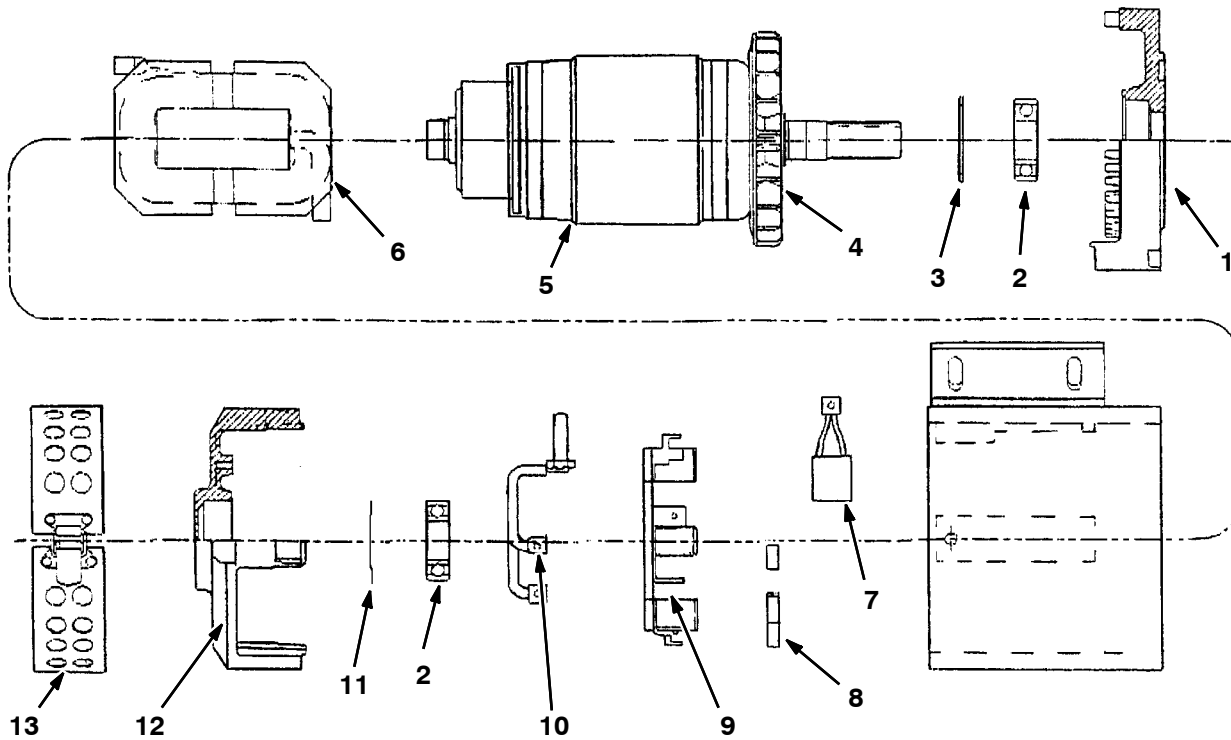
Fig. 4 - Electric Motor Breakdown, 360065



350403 - E

| Ref. | Part No. | Serial Number | Description                     | Qty.                              |   |
|------|----------|---------------|---------------------------------|-----------------------------------|---|
| ▽    | 360065   | (000000-      | ) Motor, Electric, 36VDC 2.1 HP | 1                                 |   |
| ▲    | 1        | 361952        | (000000-                        | ) Seal                            | 1 |
| ▲    | 2        | 361953        | (000000-                        | ) Drive Endhead                   | 1 |
| ▲    | 3        | 48758         | (000000-                        | ) Bearing                         | 1 |
| ▲    | 4        | 361954        | (000000-                        | ) Snap- Ring                      | 1 |
| ▲    | 5        | 361955        | (000000-                        | ) Fan                             | 1 |
| ▲    | 6        | 361956        | (000000-                        | ) Armature and Fan Assembly       | 1 |
| ▲    | 7        | 361957        | (000000-                        | ) Field Coil Kit                  | 1 |
| ▲    | 8        | 00500- 7      | (000000-                        | ) Key- Wdruff 0.16 0.662 Asa#0505 | 1 |
| ▲    | 9        | 361959        | (000000-                        | ) Brush Spring                    | 4 |
| ▲    | 10       | 361960        | (000000-                        | ) Brush Box and Plate Assembly    | 1 |
| ▲    | 11       | 361961        | (000000-                        | ) Brush, Motor, W/Wire [Av]       | 1 |
| ▲    | 12       | 361962        | (000000-                        | ) Bearing                         | 1 |
| ▲    | 13       | 361963        | (000000-                        | ) Wavy Washer                     | 1 |
| ▲    | 14       | 361964        | (000000-                        | ) Commutator Endhead              | 1 |

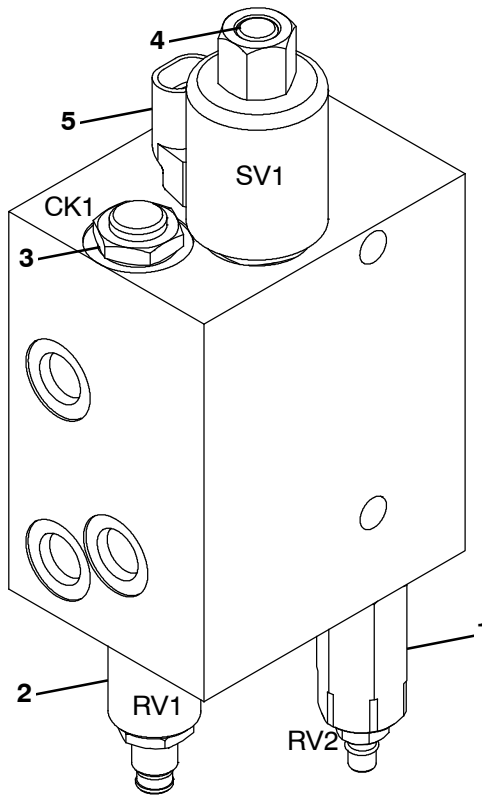
**Fig. 5 - Electric Motor Breakdown, 360175**



350405 - E

| Ref. | Part No.  | Serial Number | Description                        | Qty. |
|------|-----------|---------------|------------------------------------|------|
| ▽    | 360175    | (000000-      | ) Motor, Electric, 36VDC 4.0 HP    | 1    |
| ▲    | 1 361965  | (000000-      | ) Drive Endhead                    | 1    |
| ▲    | 2 48758   | (000000-      | ) Bearing                          | 1    |
| ▲    | 3 361954  | (000000-      | ) Snap- Ring                       | 1    |
| ▲    | 4 361966  | (000000-      | ) Armature Fan                     | 1    |
| ▲    | 5 361967  | (000000-      | ) Armature and Fan Assembly        | 1    |
| ▲    | 6 361968  | (000000-      | ) Field Coil Kit                   | 1    |
| ▲    | 7 385742  | (000000-      | ) Brush, Motor, Ele [Av#a91- 112e] | 4    |
| ▲    | 8 48755   | (000000-      | ) Brush Spring                     | 4    |
| ▲    | 9 361969  | (000000-      | ) Brush Box and Plate Assembly     | 1    |
| ▲    | 10 361970 | (000000-      | ) Lead Assembly Kit                | 1    |
| ▲    | 11 361971 | (000000-      | ) Wavy Washer                      | 1    |
| ▲    | 12 361972 | (000000-      | ) Commutator Endhead               | 1    |
| ▲    | 13 361973 | (000000-      | ) Headband                         | 1    |

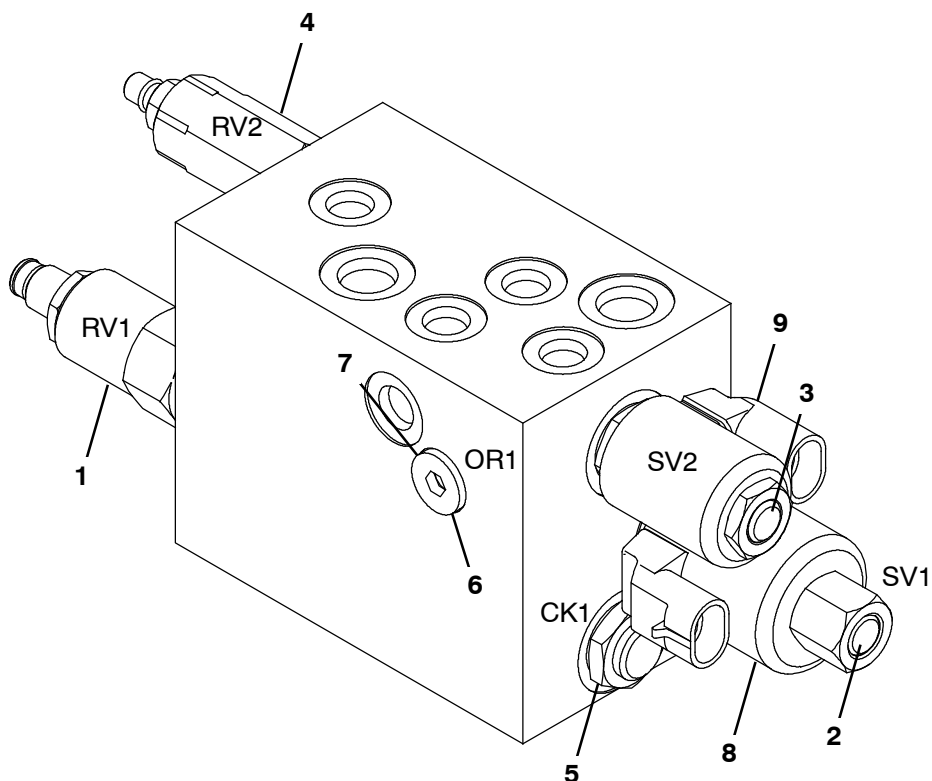
**Fig. 6 - Hydraulic Solenoid Valve Breakdown, 1046688**



356086 - E

| Ref. | Part No. | Serial Number | Description                   | Qty. |
|------|----------|---------------|-------------------------------|------|
| ▽    | 1046688  | (000000-      | ) Valve, Hyd, Solenoid, 36vdc | 1    |
| ▲▽   | 1 373740 | (000000-      | ) Valve, Relief               | 1    |
| ▲▲   | 373745   | (000000-      | ) Seal Kit, Valve, Hyd        | 1    |
| ▲▽   | 2 373738 | (000000-      | ) Valve, Cntrl, Logic         | 1    |
| ▲▲   | 373582   | (000000-      | ) Seal Kit, Hsng              | 1    |
| ▲▽   | 3 373741 | (000000-      | ) Valve, Check                | 1    |
| ▲▲   | 373745   | (000000-      | ) Seal Kit, Valve, Hyd        | 1    |
| ▲▽   | 4 373739 | (000000-      | ) Valve, Stem, Hyd            | 1    |
| ▲▲   | 373584   | (000000-      | ) Nut, Short                  | 1    |
| ▲▲   | 373582   | (000000-      | ) Seal Kit, Hsng              | 1    |
| ▲    | 5 373744 | (000000-      | ) Solenoid, #10, 36vdc        | 1    |

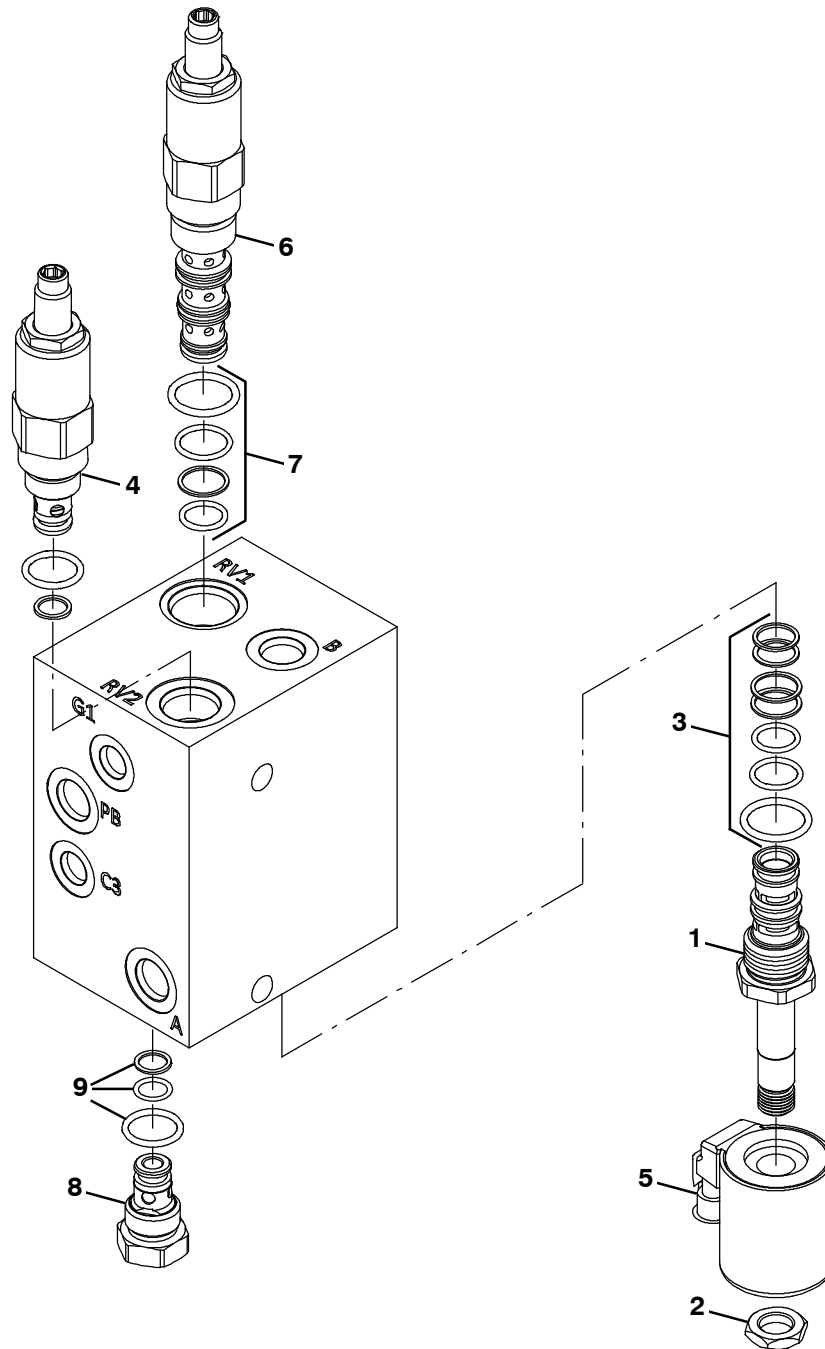
**Fig. 7 - Hydraulic Solenoid Valve Breakdown, 1045994**



356088 - E

| Ref. | Part No. | Serial Number | Description                           | Qty. |
|------|----------|---------------|---------------------------------------|------|
| ▽    | 1045994  | (000000-      | ) Valve, Hyd, Solenoid, 36vdc         | 1    |
| ▲▽   | 1 373738 | (000000-      | ) Valve, Cntrl, Logic                 | 1    |
| ▲▲   | 373582   | (000000-      | ) Seal Kit, Hsng                      | 1    |
| ▲▽   | 2 373739 | (000000-      | ) Valve, Stem, Hyd                    | 1    |
| ▲▲   | 373584   | (000000-      | ) Nut, Short                          | 1    |
| ▲▲   | 373582   | (000000-      | ) Seal Kit, Hsng                      | 1    |
| ▲▽   | 3 373734 | (000000-      | ) Solenoid, Cntrl                     | 1    |
| ▲▲   | 373584   | (000000-      | ) Nut, Short                          | 1    |
| ▲▲   | 1058233  | (000000-      | ) Seal Kit, Cartridge                 | 1    |
| ▲▽   | 4 373740 | (000000-      | ) Valve, Relief                       | 1    |
| ▲▲   | 373745   | (000000-      | ) Seal Kit, Valve, Hyd                | 1    |
| ▲▽   | 5 373741 | (000000-      | ) Valve, Check                        | 1    |
| ▲▲   | 373745   | (000000-      | ) Seal Kit, Valve, Hyd                | 1    |
| ▲▽   | 6 13904  | (000000-      | ) Fitting, Plug, Org, #6, Valve [Cec] | 1    |
| ▲▲   | 77005    | (000000-      | ) Seal, Org, .078 X 00.47id 06        | 1    |
| ▲    | 7 373742 | (000000-      | ) Plug, Orifice, Valve, Hyd, .035     | 1    |
| ▲    | 8 373743 | (000000-      | ) Solenoid, #8, 36vdc                 | 1    |
| ▲    | 9 373744 | (000000-      | ) Solenoid, #10, 36vdc                | 1    |

Fig. 8 - Hydraulic Solenoid Valve Breakdown, 1237088



356933 - E

| Ref. | Part No. | Serial Number | Description                             | Qty.                                    |   |
|------|----------|---------------|---|---|---|
| ▽    | 1237088  | (000000-      | ) Valve, Hyd, Solenoid, 36vdc [1046688] | 1                                       |   |
| ▲▽   | 1        | 373663        | (000000-                                | ) Valve, Stem, No                       | 1 |
| ▲▲   | 2        | 373670        | (000000-                                | ) Nut, Solenoid                         | 1 |
| ▲▲   | 3        | 373646        | (000000-                                | ) Seal Kit, Cartridge                   | 1 |
| ▲    | 4        | 9017984       | (000000-                                | ) Relief Valve [Rv08- 22a- 0- N- 35/24] | 1 |
| ▲▽   | 5        | 373642        | (000000-                                | ) Solenoid, 12vdc, Hyd [Sz10]           | 1 |
| ▲▲   | 6        | 373738        | (000000-                                | ) Valve, Cntrl, Logic                   | 1 |
| ▲▲   | 7        | 373582        | (000000-                                | ) Seal Kit, Hsng                        | 1 |
| ▲▽   | 8        | 373741        | (000000-                                | ) Valve, Check                          | 1 |
| ▲▲   | 9        | 373745        | (000000-                                | ) Seal Kit, Valve, Hyd                  | 1 |



# SECTION 5

**CONTENTS**

**PAGE**

PART NUMBER TO PAGE NUMBER CROSS REFERENCE LIST ..... 5-2  
PART DESCRIPTION TO PAGE NUMBER CROSS REFERENCE LIST ..... 5-10

# CROSS REFERENCE

## PART NUMBER TO PAGE NUMBER CROSS REFERENCE LIST

| Part Number | Page Number  | Part Number | Page Number   | Part Number | Page Number   |
|-------------|--|-------------|---|-------------|---|
| 00500-10    | 2-47   | 07791       | 2-5, 2-11, 2-13,<br>2-19, 2-23, 2-45,<br>2-49, 2-53, 2-57,<br>2-67, 2-71, 3-3, 3-5,<br>3-7, 3-9, 3-11, 3-13   | 1014976     | 3-49, 3-53, 3-55  |
| 00500-7     | 4-7  |             |   | 1014981     | 3-55  |
| 00915       | 2-39   |             |   | 1015455     | 3-53, 3-55  |
| 00928       | 2-37   |             |   | 10157       | 3-43  |
| 00954       | 2-47   |             |   | 1017255     | 3-55  |
| 01682       | 2-39   | 07792       | 2-49, 2-71  | 1019285     | 3-49  |
| 01685       | 2-43, 2-61, 3-25                                       | 07793       | 2-5, 3-11, 3-13   | 1020341     | 2-7, 2-25, 2-49,<br>2-71, 3-7, 3-9  |
| 01689       | 2-5  | 07887       | 3-39  |             |   |
| 01713       | 2-45   | 08013N      | 2-3   | 1023920     | 3-17  |
| 01714       | 2-35   | 08085       | 2-11, 2-13, 2-35,<br>2-39, 2-43, 3-23,<br>3-25  | 1025992     | 3-29  |
| 01754       | 2-19   |             |   | 1026362     | 2-49  |
| 02076       | 2-29, 2-31, 2-39                                       | 08170       | 2-25  | 1027321     | 2-65  |
| 02356       | 2-39   | 08175       | 2-27, 2-37, 2-47,<br>3-23   | 1031617     | 3-15  |
| 02431       | 2-5  |             |   | 1031699     | 3-49  |
| 02469       | 2-65, 3-29   | 08179       | 2-45  | 1035826     | 2-41, 2-43, 3-23,<br>3-25   |
| 02850       | 2-57, 2-61, 3-15                                       | 08182       | 2-23, 2-25, 2-57  | 10362       | 2-47  |
| 02863       | 3-40   | 08298       | 2-49  | 1036631     | 2-27  |
| 03670       | 1-1, 2-39  | 08346       | 2-45  | 1036892     | 2-17, 2-21, 2-37,<br>2-45, 2-53, 2-57   |
| 04186       | 2-37   | 08361       | 2-49  |             |   |
| 04375       | 2-55   | 08708       | 2-15, 2-19, 2-21,<br>2-23, 2-25, 2-45,<br>2-47, 2-51, 2-53,<br>2-57, 2-68, 3-3, 3-5,<br>3-7, 3-9, 3-11, 3-13,<br>3-17, 3-23, 3-39,<br>3-43, 3-45, 3-46,<br>3-47, 3-51, 3-61 | 1037345     | 3-49  |
| 04706       | 2-21   |             |   | 1037346     | 2-5, 2-9, 2-11, 2-13,<br>2-15, 2-17, 2-19,<br>2-23, 2-53, 2-57,<br>2-59, 2-61, 2-71, 3-3,<br>3-5, 3-7, 3-9, 3-15,<br>3-23, 3-31, 3-33,<br>3-35, 3-37, 3-49,<br>3-53, 3-55, 3-63 |
| 06415       | 2-51   | 08709       | 2-5, 2-11, 2-13,<br>2-25, 2-33, 2-37,<br>2-41, 2-49, 2-51,<br>2-55, 2-57, 2-59,<br>2-67, 3-3, 3-5, 3-7,<br>3-9, 3-17, 3-19, 3-23,<br>3-31, 3-33, 3-35,<br>3-37              | 1037354     | 2-5, 2-19, 2-33,<br>2-35, 2-39, 2-45,<br>2-51, 2-57, 2-67,<br>3-11, 3-13, 3-33,<br>3-37   |
| 06419       | 2-37   |             |   | 1037355     | 2-25, 2-49, 2-51,<br>2-59, 3-17, 3-31   |
| 06474A      | 2-23   |             |   | 1037358     | 2-39, 2-47, 2-51,<br>2-55, 2-71, 3-21,<br>3-25, 3-49  |
| 06549       | 2-19, 2-25, 2-57,<br>3-3, 3-5, 3-7, 3-9,<br>3-17, 3-45 | 08711       | 2-25, 2-37, 2-49  | 1037427     | 2-43  |
| 06750       | 2-39   | 08713       | 2-29, 2-31, 2-43,<br>3-25   | 1037485     | 2-43  |
| 06927       | 2-57, 3-15   |             |   | 1038176     | 2-57  |
| 06930       | 3-49   | 08716       | 3-39  | 1038957     | 2-19  |
| 06933       | 3-3, 3-5, 3-7, 3-9                                     | 08793       | 2-57  | 1039250     | 2-59  |
| 06935       | 3-17, 3-45   | 09010       | 2-43, 3-25  | 1039735     | 2-25  |
| 06941       | 3-23   | 09026       | 2-57  | 1040467     | 2-19, 3-31, 3-35  |
| 06942       | 3-17   | 09028       | 2-43, 2-49  | 1041873     | 2-19, 2-71  |
| 06943       | 2-23, 2-45, 2-47,<br>3-11, 3-13, 3-61                  | 09037       | 2-27  | 1041941     | 3-29  |
| 06946       | 3-43, 3-46, 3-47                                       | 09087       | 2-45  | 1042282     | 2-59  |
| 06949       | 2-25, 2-68, 3-3, 3-5,<br>3-7, 3-9                      | 09088       | 2-35  | 1042285     | 2-59  |
| 06955       | 2-11, 2-13, 2-35,<br>3-23                              | 09200       | 2-19, 2-51, 2-53,<br>3-3, 3-5, 3-7, 3-9   | 1042727     | 3-25  |
| 06956       | 2-33   |             |   | 1042730     | 3-25  |
| 06957       | 2-41, 2-49   | 09244       | 2-57  | 1042791     | 2-5   |
| 06958       | 2-29   | 09291       | 2-35  | 1042849     | 2-5   |
| 06961       | 2-59, 2-69, 3-20,<br>3-27                              | 09740       | 2-5, 2-36, 3-31, 3-35   | 1042875     | 2-51  |
| 06963       | 2-23   |             |   | 1043176     | 3-21  |
| 06968       | 2-25   | 1002898     | 3-49  | 1043383     | 2-59  |
| 06969       | 2-5  | 1006415     | 3-49  | 1043490     | 2-51  |
| 06977       | 2-37   | 1008142     | 2-19  |             |   |
| 06988       | 2-43, 3-25   | 1011170     | 3-49  |             |   |
| 07259       | 2-27, 2-49   | 1012529     | 2-5   |             |   |
| 07471       | 3-53, 3-55   | 1014563     | 2-51, 2-57  |             |   |
| 07514       | 2-45, 2-61   |             |   |             |   |
| 07785       | 2-43, 3-23, 3-25                                       |             |   |             |   |
| 07787       | 2-37   |             |   |             |   |

## CROSS REFERENCE

| Part Number | Page Number     | Part Number | Page Number               | Part Number | Page Number |
|-------------|-----------------|-------------|---------------------------|-------------|-------------|
| 1043815     | 2-59            | 1047706     | 3-15                      | 1049987     | 2-11, 2-13  |
| 1043818     | 2-61            | 1047717     | 2-81                      | 1049988     | 2-11, 2-13  |
| 1043819     | 2-61            | 1047728     | 3-17                      | 1049990     | 3-11, 3-13  |
| 1043938     | 2-53            | 1047773     | 3-31, 3-33, 3-35,<br>3-37 | 1049991     | 3-11, 3-13  |
| 1044075     | 3-13            |             |                           | 1049992     | 3-11, 3-13  |
| 1044146     | 2-61            | 1047878     | 2-41                      | 1050046     | 3-7, 3-9    |
| 1044214     | 2-53            | 1048096     | 2-51                      | 1050070     | 3-26        |
| 1044254     | 2-51            | 1048116     | 2-51                      | 1050077     | 3-46, 3-47  |
| 1044273     | 2-57            | 1048142     | 2-25                      | 1050106     | 2-59        |
| 1044285     | 2-59            | 1048161     | 3-17                      | 1050158     | 2-71        |
| 1044351     | 2-59            | 1048166     | 3-17                      | 1050162     | 3-15        |
| 1044352     | 2-61            | 1048198     | 2-11, 2-13                | 1050170     | 2-82        |
| 1044356     | 1-1, 2-61, 3-63 | 1048311     | 2-43, 3-25                | 1050242     | 2-57        |
| 1044357     | 1-1, 2-45       | 1048335     | 2-61, 3-63                | 1050243     | 2-57        |
| 1044844     | 2-7             | 1048351     | 2-21                      | 1050255     | 3-15        |
| 1044845     | 2-9             | 1048353     | 2-61, 3-63                | 1050266     | 3-15        |
| 1044900     | 2-51            | 1048408     | 3-21                      | 1050665     | 3-43        |
| 1044907     | 2-51            | 1048456     | 2-19                      | 1050727     | 2-82        |
| 1045211     | 2-19            | 1048488     | 2-51                      | 1050785     | 2-11, 2-13  |
| 1045222     | 2-21            | 1048504     | 2-81                      | 1050955     | 2-23        |
| 1045229     | 2-11            | 1048508     | 2-23                      | 1050957     | 2-23        |
| 1045365     | 2-51            | 1048529     | 2-81                      | 1051045     | 2-57        |
| 1045404     | 3-17            | 1048556     | 3-23                      | 1051049     | 2-57        |
| 1045423     | 2-53            | 1048565     | 2-45                      | 1051115     | 2-57        |
| 1045434     | 2-53            | 1048718     | 3-35                      | 1051135     | 2-19        |
| 1045475     | 3-23            | 1048720     | 3-31, 3-35                | 1051199     | 2-59        |
| 1045563     | 3-23            | 1048732     | 2-51                      | 1051250     | 2-5         |
| 1045567     | 3-15            | 1048744     | 2-36                      | 1051766     | 2-57        |
| 1045569     | 3-15            | 1048746     | 2-7, 2-9                  | 1051773     | 2-57        |
| 1045571     | 3-23            | 1048750     | 2-7, 2-9                  | 1051800     | 2-57        |
| 1045627     | 2-45            | 1048785     | 3-35                      | 1051866     | 2-67        |
| 1045633     | 3-49            | 1048800     | 2-36                      | 1051892     | 2-67        |
| 1045647     | 3-23            | 1048801     | 2-33                      | 1052026     | 3-49        |
| 1045900     | 1-1, 2-61       | 1048849     | 3-15                      | 1052113     | 2-25        |
| 1045994     | 3-27, 4-10      | 1048883     | 3-31                      | 1052114     | 2-25        |
| 1046038     | 3-23            | 1048955     | 2-11, 2-13                | 1052203     | 2-49        |
| 1046246     | 2-43            | 1048990     | 2-51                      | 1052231     | 2-49        |
| 1046248     | 3-25            | 1049015     | 2-51                      | 1052263     | 2-25        |
| 1046406     | 3-11, 3-13      | 1049102     | 2-51                      | 1052446     | 2-57        |
| 1046410     | 3-61            | 1049208     | 2-9                       | 1052452     | 2-51        |
| 1046498     | 3-23            | 1049220     | 2-35                      | 1052454     | 2-51        |
| 1046553     | 2-25            | 1049224     | 2-35                      | 1052474     | 3-3, 3-5    |
| 1046590     | 2-45            | 1049253     | 2-51                      | 1052475     | 3-7, 3-9    |
| 1046688     | 2-69, 4-9       | 1049259     | 3-49                      | 1052531     | 2-23        |
| 1047115     | 3-21            | 1049263     | 2-51                      | 1052533     | 3-29        |
| 1047116     | 3-21            | 1049293     | 2-37                      | 1052534     | 3-29        |
| 1047280     | 2-57            | 1049302     | 2-39                      | 1052540     | 2-23        |
| 1047447     | 2-11, 2-13      | 1049336     | 2-39                      | 1052541     | 2-23        |
| 1047456     | 3-15            | 1049408     | 2-59                      | 1052560     | 2-27        |
| 1047480     | 3-11, 3-13      | 1049409     | 2-59                      | 1052561     | 2-27        |
| 1047575     | 1-1, 2-51       | 1049553     | 3-3, 3-5                  | 1052562     | 2-29        |
| 1047592     | 3-15            | 1049554     | 3-3, 3-5                  | 1052563     | 2-29        |
| 1047632     | 3-39            | 1049687     | 3-17                      | 1052620     | 3-39        |
| 1047635     | 3-39            | 1049702     | 3-15                      | 1052625     | 2-73        |
| 1047637     | 1-1, 2-47       | 1049860     | 2-61                      | 1052644     | 2-47        |
| 1047653     | 3-15            | 1049937     | 3-13                      | 1052646     | 2-47        |
| 1047690     | 3-15            | 1049938     | 3-13                      | 1052647     | 2-47        |
| 1047696     | 3-31, 3-35      | 1049972     | 3-47                      | 1052649     | 2-47        |
| 1047704     | 3-11, 3-13      | 1049973     | 3-46                      | 1052650     | 2-47        |
| 1047705     | 3-11, 3-13      | 1049982     | 2-59                      | 1052651     | 2-47        |

# CROSS REFERENCE

| Part Number | Page Number               | Part Number | Page Number                       | Part Number | Page Number        |
|-------------|---------------------------|-------------|-----------------------------------|-------------|--------------------|
| 1052652     | 2-45                      | 1057977     | 2-82                              | 1071763     | 2-65               |
| 1052653     | 2-45                      | 1058233     | 4-10                              | 1071765     | 2-65               |
| 1052763     | 2-47                      | 1058333     | 2-82                              | 1071766     | 2-65               |
| 1052803     | 2-15                      | 1058717     | 2-11, 2-13                        | 1071767     | 2-65               |
| 1052804     | 2-15                      | 1058722     | 2-11, 2-13                        | 1071768     | 2-65               |
| 1052805     | 2-15                      | 1058784     | 2-21                              | 1071769     | 2-65               |
| 1052806     | 3-40                      | 1058996     | 2-21                              | 1071770     | 2-65               |
| 1052808     | 3-17                      | 1059119     | 2-55                              | 1071771     | 2-65               |
| 1052817     | 2-15                      | 1059158     | 2-55                              | 1071772     | 2-65               |
| 1052919     | 2-59                      | 1059569     | 1-1, 2-37                         | 1071773     | 2-65               |
| 1053068     | 3-17                      | 1060278     | 2-55                              | 1071774     | 2-65, 3-29         |
| 1053233     | 3-11, 3-13                | 1060331     | 2-45                              | 1071776     | 2-65, 3-29         |
| 1053291     | 2-61                      | 1060334     | 2-45                              | 1071940     | 3-29               |
| 1053318     | 2-51                      | 1060444     | 2-45                              | 1071941     | 3-29               |
| 1053321     | 2-61                      | 1060541     | 2-11                              | 1071942     | 3-29               |
| 1053385     | 3-15                      | 1061216     | 2-5                               | 1071943     | 3-29               |
| 1053393     | 2-47                      | 1061575     | 2-61                              | 1071945     | 2-39               |
| 1053395     | 2-71                      | 1061582     | 2-81                              | 1071990     | 2-51               |
| 1053746     | 2-49                      | 10632-1     | 3-7, 3-9                          | 1072011     | 3-3, 3-5, 3-7, 3-9 |
| 1053842     | 2-19                      | 10632-13    | 3-53, 3-55                        | 1072195     | 2-21               |
| 1054045     | 2-36                      | 10632-15    | 2-71                              | 1072210     | 2-13               |
| 1054256     | 2-43, 3-25                | 10632-18    | 2-51                              | 1072792     | 2-31               |
| 1054266     | 3-43                      | 10632-4     | 2-57                              | 1073048     | 2-13               |
| 1054267     | 3-43                      | 1063246     | 2-29                              | 1073173     | 2-31               |
| 1054368     | 3-15                      | 1063248     | 2-29                              | 1073607     | 2-5                |
| 1054369     | 3-31, 3-33, 3-35,<br>3-37 | 1064184     | 2-19, 3-3, 3-5, 3-7,<br>3-9, 3-15 | 1073612     | 2-31               |
| 1054371     | 3-31, 3-35                | 1064185     | 3-3, 3-5, 3-7, 3-9                | 1074091     | 2-31               |
| 1054374     | 3-35                      | 1064188     | 2-19, 3-57                        | 1074197     | 2-39               |
| 1054391     | 3-31, 3-35                | 1064189     | 2-19                              | 1074369     | 2-31               |
| 1054566     | 2-5                       | 1064191     | 3-3, 3-5, 3-7, 3-9                | 1074671     | 2-67               |
| 1054567     | 3-31, 3-35                | 1064550     | 3-15                              | 1075003     | 2-19               |
| 1054588     | 2-39                      | 1064551     | 3-15                              | 1075168     | 2-21               |
| 1054619     | 2-5                       | 1064956     | 2-11, 2-13                        | 1075205     | 2-5                |
| 1054625     | 3-31                      | 1065829     | 2-17                              | 1075283     | 3-3, 3-5, 3-7, 3-9 |
| 1054872     | 2-19                      | 1066138     | 2-17                              | 1075328     | 2-61               |
| 1054875     | 2-25                      | 1066146     | 2-17                              | 1075598     | 2-9                |
| 1055049     | 2-33                      | 10664       | 2-67                              | 1076004     | 3-63               |
| 1055074     | 2-33                      | 1067059     | 2-49                              | 1076207     | 3-33, 3-37         |
| 1055376     | 2-65                      | 1068098     | 2-17                              | 1076210     | 3-33, 3-37         |
| 1055583     | 2-57                      | 1068101     | 2-11, 2-13                        | 1076211     | 3-33, 3-37         |
| 1055605     | 2-5                       | 1068102     | 2-11, 2-13                        | 1076213     | 3-33, 3-37         |
| 1055606     | 3-15                      | 1068103     | 2-11, 2-13                        | 1076215     | 3-33, 3-37         |
| 1055674     | 2-37                      | 1068104     | 2-11, 2-13                        | 1076216     | 3-33, 3-37         |
| 1055757     | 3-11, 3-13                | 1068105     | 2-11, 2-13                        | 1076218     | 3-33, 3-37         |
| 1056045     | 2-11, 2-13                | 1068803     | 2-43, 3-25                        | 1076240     | 2-25               |
| 1056298     | 2-61                      | 1068904     | 2-19                              | 1076249     | 3-63               |
| 1056539     | 3-19                      | 1069315     | 3-57                              | 1076253     | 3-63               |
| 1056543     | 3-19                      | 1070324     | 3-45                              | 1076258     | 3-37               |
| 1056624     | 2-81                      | 1070384     | 3-45                              | 1076292     | 3-33, 3-37         |
| 1057040     | 2-19                      | 1071255     | 2-39                              | 1076300     | 2-33               |
| 1057585     | 3-11                      | 1071293     | 3-45                              | 1076302     | 2-9                |
| 10576       | 2-11, 2-13                | 1071294     | 3-45                              | 1076304     | 2-51               |
| 1057602     | 1-1, 2-5                  | 1071296     | 3-45                              | 1076311     | 2-61               |
| 1057684     | 2-5                       | 1071718     | 2-65                              | 1076354     | 3-61               |
| 1057707     | 1-1                       | 1071734     | 2-65                              | 1076355     | 3-61               |
| 1057734     | 2-45                      | 1071757     | 2-65                              | 1076356     | 3-61               |
| 1057735     | 2-45                      | 1071758     | 2-65                              | 1076382     | 3-61               |
| 1057959     | 2-61                      | 1071760     | 2-65                              | 1076384     | 3-61               |
| 1057960     | 2-59, 2-61                | 1071761     | 2-65                              | 1076437     | 3-49               |
|             |                           |             |                                   | 1076438     | 3-49               |

# CROSS REFERENCE

| Part Number | Page Number                     | Part Number | Page Number  | Part Number | Page Number  |
|-------------|---------------------------------|-------------|--|-------------|--|
| 11211       | 2-57                            | 16412       | 1-1  | 30251       | 2-37   |
| 11329       | 2-11, 2-13                      | 16455       | 2-49   | 30252       | 2-36   |
| 11398       | 2-37                            | 16695       | 4-3  | 30253       | 2-37   |
| 11631       | 2-37                            | 16735       | 2-11, 2-53, 2-59,<br>2-61                                      | 30255       | 2-37   |
| 11843       | 2-47                            | 16931       | 2-71   | 30406       | 2-59, 2-61   |
| 1201894     | 2-13                            | 16949       | 2-15   | 30533       | 3-19, 3-20   |
| 1203454     | 3-49                            | 17186       | 2-23   | 312584      | 3-15   |
| 1203814     | 3-49                            | 17284       | 2-11, 2-13, 2-49   | 31354       | 4-3  |
| 1204338     | 3-49                            | 17404       | 2-49   | 31373       | 4-3  |
| 12138       | 2-49                            | 17404       | 2-49   | 314012      | 3-15, 3-17   |
| 12263       | 2-23                            | 19065       | 2-45   | 31597       | 2-65, 3-29   |
| 12273       | 2-37                            | 19066       | 2-19, 2-25, 2-51,<br>2-59, 3-3, 3-5, 3-7,<br>3-9, 3-49         | 31603       | 2-65   |
| 1227937     | 3-41                            | 19315       | 2-71   | 31646       | 2-43, 3-25   |
| 1227938     | 3-41                            | 20170       | 2-45   | 317232      | 3-51   |
| 12317       | 2-51                            | 20802       | 2-9  | 317260      | 3-49   |
| 1232030     | 3-49                            | 20944       | 3-49   | 32483       | 2-23, 2-45, 2-71,<br>3-3, 3-5, 3-7, 3-9,<br>3-23, 3-45, 3-51,<br>3-61  |
| 1232065     | 3-53, 3-55                      | 20950       | 3-49   | 32485       | 2-23, 2-37, 2-39,<br>2-67, 3-17  |
| 1232066     | 3-53, 3-55                      | 20951       | 3-49   | 32486       | 2-15, 2-23, 2-25,<br>2-43, 2-57, 3-3, 3-5,<br>3-7, 3-9, 3-11, 3-13,<br>3-25  |
| 1232379     | 3-49                            | 20952       | 3-49   | 32490       | 2-11, 2-13, 2-23,<br>2-45, 2-51, 2-57,<br>2-67, 2-71, 3-19,<br>3-23, 3-31, 3-35,<br>3-39   |
| 1232471     | 3-49                            | 21168       | 2-5, 2-49, 2-51  | 32491       | 2-5, 2-11, 2-13,<br>2-15, 2-17, 2-25,<br>2-33, 2-35, 2-37,<br>2-41, 2-51, 2-53,<br>2-55, 2-57, 2-59,<br>2-61, 2-68, 3-3, 3-5,<br>3-7, 3-9, 3-11, 3-13,<br>3-23, 3-49 |
| 1232473     | 3-53, 3-55                      | 21195       | 2-21   | 32492       | 2-35, 2-39, 2-41,<br>2-43, 2-47, 2-49,<br>2-51, 2-57, 2-59,<br>2-69, 3-25, 3-27,<br>3-43   |
| 1232484     | 3-57                            | 21955       | 4-3  | 32515       | 2-45   |
| 1233457     | 3-51                            | 21956       | 4-3  | 32523       | 2-15   |
| 1233799     | 3-57                            | 21958       | 4-3  | 32525       | 2-47   |
| 1233938     | 3-57                            | 21961       | 4-5  | 32598       | 2-49   |
| 1234106     | 3-59                            | 222111      | 3-57   | 32747       | 3-23   |
| 1236153     | 2-61                            | 222290      | 2-19, 3-3, 3-5, 3-7,<br>3-9, 3-23, 3-57                        | 32899       | 2-25   |
| 12364       | 2-41                            | 222460      | 2-35, 2-41, 3-23   | 32960       | 2-7  |
| 1237086     | 3-27, 4-12                      | 222516      | 2-11, 2-13, 3-45   | 32980       | 2-5, 3-45  |
| 1237088     | 2-69, 4-11                      | 22290       | 2-21   | 32982       | 2-71   |
| 1238242     | 3-57                            | 223198      | 2-11, 2-13   | 32983       | 2-15   |
| 1240481     | 3-57                            | 223356      | 2-73   | 32984       | 2-29, 2-31, 2-45,<br>2-71  |
| 1241776     | 3-49                            | 22615       | 2-43, 3-25   | 32987       | 2-27, 2-37   |
| 12459       | 2-49, 2-57, 3-31,<br>3-35       | 22892       | 3-41   | 32988       | 3-45   |
| 1246677     | 3-63                            | 23498       | 2-47   | 33342       | 2-43, 3-25   |
| 1246678     | 3-63                            | 23683       | 2-47   | 33372       | 2-47   |
| 1247287     | 2-25                            | 23788       | 2-49   | 33671       | 3-51   |
| 12540       | 2-29                            | 24265       | 2-61   |             |  |
| 13534       | 2-37                            | 24358       | 3-49   |             |  |
| 13766       | 2-37                            | 24899       | 2-36   |             |  |
| 13904       | 4-5, 4-10                       | 25005       | 2-45   |             |  |
| 140147      | 2-45                            | 25014       | 2-23   |             |  |
| 140916      | 3-45                            | 25046       | 3-17   |             |  |
| 14368       | 2-23                            | 25312       | 3-40   |             |  |
| 14397       | 2-23                            | 25850       | 3-57   |             |  |
| 14455       | 2-31                            | 25887       | 2-36   |             |  |
| 14595-1     | 2-25, 2-35                      | 27108       | 2-43, 3-25   |             |  |
| 14605       | 2-25, 2-35, 2-43,<br>3-23, 3-25 | 27985       | 2-15   |             |  |
| 15008       | 2-71                            | 27988       | 2-37   |             |  |
| 150538      | 3-49                            | 27990       | 2-39   |             |  |
| 15331       | 2-43, 3-25                      | 28835       | 4-3  |             |  |
| 15675       | 2-15, 2-17, 2-57,<br>2-61       | 29499       | 2-43, 3-25   |             |  |
| 15803       | 3-29                            | 29558       | 3-23   |             |  |
| 15846       | 2-73                            | 29584       | 2-41   |             |  |
| 16082       | 2-43, 3-25                      | 30013       | 2-5, 2-9, 2-49, 2-51,<br>2-59, 3-17, 3-31,<br>3-33, 3-35, 3-37 |             |  |
| 16376       | 2-67                            |             |  |             |  |
| 16411       | 1-1                             |             |  |             |  |

# CROSS REFERENCE

| Part Number | Page Number      | Part Number | Page Number                     | Part Number | Page Number               |
|-------------|------------------|-------------|---------------------------------|-------------|---------------------------|
| 33807       | 2-19             | 360491      | 2-35, 2-37                      | 361299      | 2-68                      |
| 33932       | 3-49, 3-63       | 360492      | 2-37                            | 361306      | 2-7                       |
| 34195       | 2-67             | 360516      | 2-71                            | 361327      | 2-47                      |
| 34359       | 3-27             | 360602      | 2-51                            | 361339      | 2-51, 3-11, 3-13,<br>3-15 |
| 34877       | 2-49             | 360603      | 1-1, 2-57                       | 361342      | 2-11                      |
| 35529       | 2-49             | 360606      | 2-57                            | 361343      | 2-11                      |
| 35886       | 2-27             | 360627      | 1-1                             | 361344      | 2-11, 2-13                |
| 35973       | 2-36             | 360630      | 3-20                            | 361345      | 2-11, 2-13                |
| 360023      | 2-25             | 360680      | 2-29                            | 361346      | 3-15                      |
| 360062      | 2-68             | 360686      | 1-1, 2-39                       | 361554      | 2-11, 2-13                |
| 360063      | 2-68             | 360704      | 2-11, 2-13                      | 361555      | 2-37                      |
| 360064      | 2-49             | 360711      | 2-21                            | 361936      | 2-47                      |
| 360065      | 2-29, 4-7        | 360753      | 2-47                            | 361937      | 2-47                      |
| 360074      | 2-25             | 360761      | 1-1, 2-9                        | 361951      | 2-11                      |
| 360077      | 2-49, 3-23       | 360768      | 2-49                            | 361952      | 4-7                       |
| 360081      | 2-43, 3-25       | 360774      | 2-33                            | 361953      | 4-7                       |
| 360104      | 2-37             | 360781      | 2-5, 2-9                        | 361954      | 4-7, 4-8                  |
| 360108      | 2-37             | 360784      | 1-1, 2-7                        | 361955      | 4-7                       |
| 360109      | 2-37             | 360801      | 2-41, 2-43, 3-23,<br>3-25       | 361956      | 4-7                       |
| 360110      | 2-37             | 360802      | 2-25                            | 361957      | 4-7                       |
| 360113      | 2-37             | 360821      | 2-35                            | 361959      | 4-7                       |
| 360115      | 2-37             | 360824      | 2-53                            | 361960      | 4-7                       |
| 360116      | 2-37             | 360844      | 1-1                             | 361961      | 4-7                       |
| 360134      | 1-1, 2-5         | 360848      | 2-57                            | 361962      | 4-7                       |
| 360136      | 1-1, 2-5         | 360867      | 2-21                            | 361963      | 4-7                       |
| 360137      | 2-5              | 360893      | 2-51                            | 361964      | 4-7                       |
| 360138      | 2-5              | 360894      | 2-51                            | 361965      | 4-8                       |
| 360175      | 2-39, 4-8        | 360906      | 2-23                            | 361966      | 4-8                       |
| 360179      | 2-39             | 360917      | 2-47                            | 361967      | 4-8                       |
| 360180      | 2-39             | 360932      | 3-20                            | 361968      | 4-8                       |
| 360270      | 2-25             | 360943      | 2-59                            | 361969      | 4-8                       |
| 360271      | 2-25             | 360961      | 2-41                            | 361970      | 4-8                       |
| 360272      | 2-25             | 360973      | 2-11, 2-13, 2-61,<br>3-39, 3-40 | 361971      | 4-8                       |
| 360273      | 2-25             | 360980      | 2-29                            | 361972      | 4-8                       |
| 360274      | 2-25             | 360981      | 2-45                            | 361973      | 4-8                       |
| 360275      | 2-25             | 360989      | 2-73                            | 361993      | 2-47                      |
| 360276      | 2-25             | 360991      | 2-67                            | 361994      | 2-47                      |
| 360283      | 2-7, 2-9         | 361012      | 2-68, 4-5                       | 361995      | 2-47                      |
| 360319      | 2-7              | 361023      | 1-1, 2-67                       | 36328       | 2-49                      |
| 360320      | 1-1, 2-37        | 361026      | 2-43, 3-25, 4-3                 | 363502      | 2-7                       |
| 360327      | 2-51             | 361028      | 2-68, 4-5                       | 364080      | 3-41                      |
| 360336      | 1-1, 2-57        | 361031      | 2-65                            | 364864      | 2-25                      |
| 360347      | 2-37             | 361032      | 2-65                            | 364948      | 2-25                      |
| 360357      | 2-43, 3-25       | 361038      | 2-65                            | 36555-1     | 3-43                      |
| 360386      | 2-49             | 361040      | 2-65                            | 36643       | 2-37                      |
| 360388      | 2-7, 2-9         | 361045      | 2-65                            | 36801       | 2-23                      |
| 360406      | 2-47             | 361053      | 2-65                            | 369702      | 2-5                       |
| 360410      | 2-41             | 361074      | 2-19                            | 369781      | 2-41, 3-23                |
| 360411      | 2-41             | 361096      | 2-35                            | 370010      | 2-3                       |
| 360413      | 2-35             | 361097      | 2-35                            | 370025      | 2-3                       |
| 360414      | 2-41, 3-23       | 361114      | 2-35                            | 373423      | 2-31                      |
| 360417      | 2-41             | 361165      | 2-15                            | 373582      | 4-9, 4-10, 4-11           |
| 360424      | 2-57             | 361168      | 3-43                            | 373584      | 4-9, 4-10                 |
| 360449      | 2-41             | 361169      | 3-43                            | 373640      | 4-12                      |
| 360451      | 2-41             | 361191      | 2-39                            | 373642      | 4-11, 4-12                |
| 360454      | 2-35             | 361198      | 2-67                            | 373646      | 4-11, 4-12                |
| 360455      | 2-49             | 361271      | 2-67                            | 373647      | 4-12                      |
| 360460      | 2-13, 2-33, 2-35 | 361295      | 2-49                            | 373657      | 4-12                      |
| 360467      | 2-68             |             |                                 | 373663      | 4-11, 4-12                |
| 360488      | 2-35             |             |                                 |             |                           |

# CROSS REFERENCE

| Part Number | Page Number              | Part Number | Page Number                                    | Part Number | Page Number      |
|-------------|--------------------------|-------------|--|-------------|------------------|
| 373670      | 4-11                     | 41178       | 2-57, 3-17                                     | 54390       | 2-25             |
| 373684      | 4-12                     | 41186       | 3-17   | 54395       | 2-11             |
| 373685      | 4-12                     | 41187       | 2-39   | 54400       | 2-41, 3-23       |
| 373730      | 2-39                     | 41305       | 2-43, 3-25                                     | 54995       | 2-33, 2-41       |
| 373731      | 2-49                     | 41342       | 3-19   | 55034       | 3-7, 3-9, 3-15   |
| 373734      | 4-10                     | 41346       | 2-29, 2-31, 3-11, 3-13                         | 55586       | 2-69             |
| 373738      | 4-9, 4-10, 4-11          | 41359       | 2-23, 2-41                                     | 55685       | 2-68             |
| 373739      | 4-9, 4-10                | 41430       | 2-23, 2-37, 2-39, 2-41, 2-49, 2-51, 3-19, 3-20 | 55779       | 2-36             |
| 373740      | 4-9, 4-10, 4-12          | 41561       | 2-47   | 55808       | 2-29             |
| 373741      | 4-9, 4-10, 4-11, 4-12    | 42120-1     | 2-49   | 55965       | 3-39             |
| 373742      | 4-10                     | 42120-4     | 2-27   | 56185       | 2-21             |
| 373743      | 4-10                     | 42215       | 2-21   | 56690       | 2-21             |
| 373744      | 4-9, 4-10                | 42227       | 2-67   | 56692       | 2-67             |
| 373745      | 4-9, 4-10, 4-11, 4-12    | 43454       | 2-15   | 56820       | 2-27, 2-49, 2-69 |
| 375019      | 2-45                     | 43611       | 2-23   | 56821       | 2-43, 2-67, 3-25 |
| 375020      | 2-33                     | 43844       | 3-49, 3-53, 3-55                               | 56835       | 2-21             |
| 37555       | 4-3                      | 44078       | 2-45   | 57248       | 3-53, 3-55       |
| 377537      | 1-1                      | 44906       | 2-23, 2-33, 2-41                               | 57496       | 2-39             |
| 377538      | 1-1                      | 44961       | 2-5, 3-46, 3-47                                | 57972       | 2-65             |
| 377540      | 1-1                      | 45391       | 3-3, 3-5, 3-7, 3-9                             | 57974       | 2-65             |
| 379000      | 3-11, 3-13               | 45628       | 4-3  | 58056       | 2-27             |
| 379719      | 2-57                     | 46029       | 2-51   | 58366       | 2-19, 3-7, 3-9   |
| 382320      | 3-45                     | 46481       | 2-67   | 58596       | 4-6              |
| 382516      | 2-19                     | 46559       | 2-43, 3-25                                     | 59431       | 2-3              |
| 383165      | 2-19                     | 47501       | 2-43, 3-25                                     | 59432       | 2-3              |
| 384418      | 2-61, 3-63               | 47504       | 2-21   | 59542       | 2-49             |
| 384419      | 2-61                     | 47522       | 2-27, 2-69                                     | 59633       | 2-43, 3-25       |
| 385685      | 3-49                     | 47585       | 2-21   | 59661       | 3-17             |
| 385742      | 4-8                      | 47638       | 2-49   | 59870       | 2-68             |
| 385947      | 2-3                      | 47655       | 2-67   | 59965       | 2-57             |
| 386063      | 3-51                     | 47753       | 2-43, 3-25                                     | 61456       | 3-49             |
| 386346      | 2-19                     | 47985       | 3-46, 3-47                                     | 61791       | 2-29             |
| 386810      | 2-45, 3-3, 3-5, 3-7, 3-9 | 48732       | 2-49   | 63416       | 2-68             |
| 387282      | 2-65                     | 48755       | 4-8  | 64173       | 2-41             |
| 387376      | 2-47                     | 48758       | 4-7, 4-8                                       | 64379       | 2-57             |
| 387387      | 2-47                     | 49034       | 3-11, 3-13                                     | 64425       | 2-43, 3-25       |
| 39005       | 2-35                     | 49145       | 2-25   | 64757       | 3-63             |
| 39239       | 2-19                     | 49263       | 2-19, 2-21, 2-27                               | 64886       | 2-27             |
| 39277       | 2-5, 2-71, 3-33, 3-37    | 49266       | 2-43, 2-51, 2-71, 3-25, 3-45                   | 65215       | 2-67             |
| 39278       | 2-29                     | 49681       | 2-23   | 65221       | 1-1, 2-67        |
| 39283       | 2-39, 3-19, 3-43         | 49697       | 2-61, 3-63                                     | 65230       | 4-3              |
| 39308       | 2-23                     | 49826       | 2-9, 2-51                                      | 67004       | 3-39             |
| 39322       | 2-61                     | 49924       | 2-39   | 67366       | 2-49             |
| 39332       | 2-47                     | 50470       | 3-3, 3-5, 3-7, 3-9                             | 67683       | 2-68             |
| 39346       | 2-41                     | 50480       | 3-43   | 67767       | 2-5, 2-57, 2-59  |
| 39349       | 2-7, 2-9                 | 50902       | 2-39, 2-47                                     | 68567       | 3-61             |
| 39350       | 2-27, 2-37               | 51109       | 2-25   | 69924       | 2-27             |
| 39396       | 2-43, 3-25               | 51225-1     | 2-57   | 69925       | 2-27             |
| 39527       | 2-27, 2-37               | 51305       | 3-49   | 69926       | 2-27             |
| 395973      | 2-69                     | 51529       | 2-33   | 69928       | 2-27             |
| 395974      | 2-69                     | 51562       | 3-23   | 69971       | 3-19             |
| 39658       | 2-19                     | 51564       | 2-37   | 70006       | 2-67             |
| 397249      | 3-23                     | 51813       | 2-41   | 70622       | 2-21             |
| 39807       | 3-3, 3-5, 3-7, 3-9       | 52402       | 2-39, 2-68                                     | 70709       | 2-21             |
| 398526      | 2-19                     | 52508       | 2-37   | 70717       | 2-21             |
| 40607       | 2-57, 2-61               | 54009       | 3-39   | 71026       | 2-17             |
| 41140       | 2-59                     |             |  | 71126       | 2-41, 3-23       |
| 41141       | 2-5                      |             |  | 71244       | 2-47             |
| 41169       | 2-9                      |             |  | 71367       | 2-25             |
|             |                          |             |  | 71477       | 3-19             |

# CROSS REFERENCE

| Part Number | Page Number                           | Part Number | Page Number        | Part Number | Page Number        |
|-------------|---------------------------------------|-------------|--------------------|-------------|--------------------|
| 71529       | 2-73                                  | 764139      | 3-63               | 87355       | 2-29               |
| 71556       | 2-65                                  | 76570       | 2-41, 3-23         | 87482       | 2-71               |
| 71557       | 2-65                                  | 767411      | 2-43, 2-67, 3-25   | 87483       | 2-71               |
| 71574       | 4-6                                   | 76762       | 2-65               | 87495       | 2-73               |
| 71579       | 2-5                                   | 76960       | 2-15               | 87496       | 2-73               |
| 72040       | 2-29                                  | 769778      | 3-53, 3-55         | 87507       | 2-71               |
| 72084       | 2-23                                  | 77005       | 4-10               | 87536       | 2-19               |
| 72164       | 3-3, 3-5, 3-7, 3-9                    | 77097       | 2-57, 3-23         | 87546       | 2-61               |
| 72171       | 3-3, 3-5, 3-7, 3-9                    | 78951       | 3-57               | 87558       | 2-73               |
| 72439       | 2-15                                  | 79246       | 2-57               | 87581       | 2-15               |
| 72968       | 2-5                                   | 79785       | 4-5                | 87631       | 2-37               |
| 74094       | 4-3                                   | 79786       | 4-5                | 87689       | 1-1, 2-57          |
| 74100       | 4-3                                   | 79787       | 4-5                | 87707       | 2-45               |
| 74109       | 4-6                                   | 79788       | 4-5                | 87725       | 2-23               |
| 74110       | 4-6                                   | 79789       | 4-5                | 87749       | 2-29               |
| 74111       | 4-6                                   | 79792       | 4-5                | 87750       | 2-29, 2-31         |
| 74112       | 4-6                                   | 79794       | 4-5                | 87838       | 2-47               |
| 74140       | 4-6                                   | 79795       | 4-5                | 87839       | 2-29               |
| 74173       | 2-21, 4-6                             | 79796       | 4-5                | 87840       | 2-29               |
| 74181       | 4-6                                   | 79800       | 4-5                | 87841       | 2-29               |
| 74182       | 4-6                                   | 79801       | 4-5                | 87849       | 2-29               |
| 74190       | 4-6                                   | 79802       | 4-5                | 87866       | 2-19               |
| 74191       | 4-6                                   | 79804       | 4-5                | 87983       | 2-45               |
| 74195       | 4-6                                   | 79805       | 4-5                | 9006013     | 3-31               |
| 74218       | 4-6                                   | 79806       | 4-5                | 9006014     | 3-35               |
| 74250       | 4-3                                   | 79807       | 4-5                | 9006015     | 3-11               |
| 74251       | 4-6                                   | 79808       | 4-5                | 9006021     | 3-21               |
| 74454       | 2-47                                  | 79812       | 4-5                | 9006023     | 3-39               |
| 74455       | 2-39, 2-47, 2-57,<br>2-59, 2-71, 3-17 | 79814       | 4-5                | 9006025     | 3-40               |
| 75128       | 2-11, 2-13                            | 79820       | 4-5                | 9006029     | 3-19               |
| 75428       | 3-15                                  | 79874       | 3-27               | 9006315     | 3-3                |
| 75430       | 2-23                                  | 82819       | 2-65               | 9006316     | 3-7                |
| 75939       | 2-45                                  | 82833       | 2-21, 2-27         | 9006317     | 3-5                |
| 75968       | 2-21                                  | 84581       | 2-43, 3-25         | 9006318     | 3-9                |
| 76062       | 2-71                                  | 86029       | 2-43, 3-25         | 9006388     | 1-1                |
| 762425      | 2-49                                  | 86375       | 2-71               | 9006392     | 1-1                |
| 762426      | 2-68                                  | 86377       | 3-3, 3-5, 3-7, 3-9 | 9006534     | 1-1                |
| 762427      | 2-57, 3-23                            | 86379       | 2-71               | 9006699     | 2-81               |
| 762428      | 2-69                                  | 86398       | 2-73               | 9006704     | 3-64               |
| 762432      | 2-27, 2-49, 2-69                      | 86417       | 2-71               | 9006705     | 3-64               |
| 762433      | 2-21                                  | 86444       | 2-9                | 9006706     | 3-64               |
| 762434      | 2-67                                  | 86618       | 2-61               | 9006707     | 3-64               |
| 762435      | 2-21, 2-69                            | 86636       | 3-49               | 9006708     | 3-64               |
| 762436      | 2-68                                  | 86659       | 2-25               | 9006710     | 3-64               |
| 762438      | 2-39, 2-68                            | 86798       | 2-23               | 9006711     | 3-64               |
| 762439      | 2-31                                  | 86866       | 2-5                | 9006724     | 3-64               |
| 762442      | 2-27, 2-69                            | 87097       | 2-3                | 9006727     | 3-64               |
| 762443      | 3-29                                  | 87099       | 2-3                | 9006900     | 2-49               |
| 762448      | 2-67                                  | 87104       | 2-57               | 9006902     | 2-49               |
| 762456      | 2-67                                  | 87172       | 3-21               | 9006909     | 3-39               |
| 762457      | 2-67                                  | 87180       | 2-5                | 9006911     | 3-39               |
| 762458      | 2-43, 3-25                            | 87181       | 1-1, 2-5           | 9006976     | 2-71               |
| 762459      | 2-21                                  | 87216       | 2-49               | 9006977     | 2-71               |
| 762462      | 2-67                                  | 87244       | 2-49               | 9006980     | 2-19               |
| 762492      | 2-67                                  | 87299       | 2-47               | 9006981     | 2-19               |
| 763045      | 3-11, 3-13, 3-15,<br>3-17, 3-53, 3-55 | 87308       | 2-15, 2-25         | 9006983     | 2-39               |
| 763149      | 2-61                                  | 87318       | 2-71               | 9006984     | 2-39               |
| 76316       | 2-67, 2-69                            | 87333       | 2-3                | 9006985     | 2-71               |
|             |                                       | 87334       | 2-3                | 9006986     | 2-71               |
|             |                                       | 87349       | 2-19               | 9007131     | 3-3, 3-5, 3-7, 3-9 |

| <b>Part<br/>Number</b> | <b>Page<br/>Number</b> |
|------------------------|------------------------|
| 9007175 . . . . .      | 2-71                   |
| 9007176 . . . . .      | 2-71                   |
| 9007372 . . . . .      | 2-49                   |
| 9007374 . . . . .      | 2-49                   |
| 9007391 . . . . .      | 2-45                   |
| 9009383 . . . . .      | 3-64                   |
| 9009990 . . . . .      | 3-45                   |
| 9010085 . . . . .      | 3-45                   |
| 9010086 . . . . .      | 3-45                   |
| 9010740 . . . . .      | 2-11                   |
| 9013148 . . . . .      | 2-71                   |
| 9013149 . . . . .      | 2-71                   |
| 9017556 . . . . .      | 3-37                   |
| 9017557 . . . . .      | 3-33                   |
| 9017984 . . . . .      | 4-11, 4-12             |
| 9017985 . . . . .      | 4-12                   |
| 9019140 . . . . .      | 2-25                   |

**PART DESCRIPTION TO PAGE NUMBER CROSS REFERENCE LIST**

**A**

Adapter Wldt, Wand, Vacuum, 3-39  
 Alarm Assy, Backup, 12-48vdc  
     82-102dba, 3-3, 3-5, 3-7, 3-9  
 Alarm Assy, Backup, 12/48vdc, 3-3, 3-5,  
     3-7, 3-9  
 Alarm Kit, Backup, Flsh, Ohg, Ev, Ci, 3-7  
 Alarm Kit, Backup, Flsh, Rear, Ev, Ci, 3-3  
 Alarm Kit, Backup, Strb, Rear, Ev, Ci, 3-5  
 Alarm Kit, Backup, Strobe, Ohg, Ev, Ci,  
     3-9  
 Alarm, Audio, 10-48vdc [Mallory], 2-19  
 Angle Wldt, Bmpr, Tower, Lh, 3-21  
 Angle Wldt, Bmpr, Tower, Rh, 3-21  
 Angle Wldt, Mtg, Door, 3-17  
 Angle, Bottom, 3-23  
 Angle, Cab, Rear [Drip Ledge, S20], 3-15  
 Angle, Cab, Side [Drip Ledge, S20], 3-15  
 Angle, Keeper, Cable, 2-35  
 Angle, Mtg, Alarm, 3-3, 3-5  
 Angle, Mtg, Latch, 3-17  
 Angle, Mtg, Muffler, Vacfan, 2-47  
 Angle, Mtg, Wndw, Lh, 3-15  
 Angle, Mtg, Wndw, Rh, 3-15  
 Antenna, Telem, 110 In [Gprs], 3-45  
 Arm Wldt, Brush, Main, Drive, Lh, 2-37  
 Arm Wldt, Brush, Main, Idler, 2-36  
 Arm Wldt, Cntrl, Dir, 2-23  
 Arm Wldt, Lift, Brush, 2-41  
 Arm Wldt, Lift, Lh, 3-25  
 Arm Wldt, Lift, Rh, 2-43  
 Arm, Idler, 2-37  
 Arm, Lever, Brake, 4.1 [Knott], 2-25  
 Arm, Lift, Hppr, W/ Label [S20] Jp, 2-49  
 Arm, Lift, Hppr, W/ Label [S20] Na, 2-49  
 Arm, Safety, Hppr, W/ Label [S20], 2-49  
 Arm, Safety, Hppr, W/ Label, Tj [S20],  
     2-49  
 Arm, Steering, 2-27  
 Armature and Fan Assembly, 4-7, 4-8  
 Armature Fan, 4-8  
 Armrest Assy, Rh, F/53845 [Grammer],  
     3-19

**B**

Ball, 4-5  
 Balljoint, M6 X 1.0 Fem, M6 X 1.0 Mal,  
     2-23  
 Bar, Cover, 2-61  
 Bar, Hex, Stl 0.75, 01.6l .50h Thru, 2-37  
 Bar, Sppt, Hppr Cover [S20], 3-61  
 Battery, Wet, 06vdc 420ah, 3-43  
 Battery, Wet, 18vdc 0340ah, 3-47  
 Battery, Wet, 18vdc 0440ah, 3-46  
 Bearing, 4-7, 4-8  
 Bearing, Ball, 0.67b 1.57d 0.47w, 2-47  
 Bearing, Ball, 0.98b 2.05d 0.59w, 2-37  
 Bearing, Ball, 1.18b 2.44d 0.63w, 2-25  
 Bearing, Ball, 1.38b 2.83d 0.67w, 2-36

Bearing, Flng, 2hole, 0.50b, 2-21  
 Bearing, Flng, 2hole, 0.50b [Nyl], 2-21  
 Bearing, Flng, 2hole, 1.00b, 2-49  
 Bearing, Needle, 4-6  
 Bearing, Self Align, 1.00b 1.63d, 2-27  
 Bearing, Self Align, 1.25b 2.00d, 2-49  
 Bearing, W/ Collar, 0.75b 1.85d 1.06w,  
     2-36  
 Bellcrank, Lift, Brush, Side, Lh, 2-41  
 Bellcrank, Lift, Brush, Side, Rh, 2-41  
 Bellows, Solenoid, .75-16, 1.5l, 2-45  
 Belt, V, 31.5l [3v], 1-1, 2-37  
 Belt, V, 32.2l [07m], 2-47  
 Belt, V, 33.5l [3v], 1-1, 2-39  
 Belt, V, 54.0l [3v], 1-1, 2-39  
 Block, Adj, 2-33  
 Block, Adj, Pivot, 2-41, 3-23  
 Bolt, Eye, .38-16 X 3.22, 0.28 Eye, 2-47  
 Bolt, Gearbox, Drive Wheel, 2-29  
 Bolt, Shld, 10mmd X 010mm, M8 X 1.25,  
     2-31  
 Boot, .63id .29l .90w, 2-19  
 Boot, 90deg .50id .57id X .84id 1.0l,Blk,  
     2-29, 2-31, 2-39  
 Boot, Bellows, 3.1l 4.4w 2.8h 1hole, Neo,  
     2-21  
 Boot, Circuitbreaker, 3-3, 3-5, 3-7, 3-9  
 Boot, Switch, Ignition, 2-19  
 Bracket Kit, Panl, Cntrl, W/Label, Jp, 2-71  
 Bracket Kit, Panl, Cntrl, W/Label, Na, 2-71  
 Bracket Wldt, Fltr, 2-61  
 Bracket Wldt, Latch, 2-15  
 Bracket Wldt, Mtg, Bmpr, 3-21  
 Bracket Wldt, Mtg, Door, 3-17  
 Bracket Wldt, Mtg, Fan, 2-47  
 Bracket Wldt, Mtg, Motor, 2-39  
 Bracket Wldt, Steering, Tilt, 2-21  
 Bracket Wldt, Stop, Brush, 2-9  
 Bracket Wldt, Switch, Shkr, 2-45  
 Bracket Wldt, Tank/Pump Sppt [S20], 3-49  
 Bracket, Adj, Seat, 2-11  
 Bracket, Adj, Strike, 2-17  
 Bracket, Angle, Hppr Bottom Stiffener,  
     2-51  
 Bracket, Angle, Keeper, Cable, 2-41, 3-23  
 Bracket, Angle, Mtg, Brg, 2-36  
 Bracket, Angle, Mtg, Pin, Latch, 2-15  
 Bracket, Angle, Pivot, Door, Dump, Lh,  
     2-57  
 Bracket, Angle, Pivot, Door, Dump, Rh,  
     2-57  
 Bracket, Arm, Side Brush, 2-43  
 Bracket, Door, Indicator, 2-57  
 Bracket, Hinge, Door, 2-7, 2-9  
 Bracket, Inlet, Vacfan, 2-45  
 Bracket, Latch, Door, 3-17  
 Bracket, Latch, Keeper [Southco], 2-61  
 Bracket, Latch, Mtg, Strike, 2-17  
 Bracket, Lift, Brush, Auto, 2-35  
 Bracket, Mtg, Angle, Air Fltr, 1-1  
 Bracket, Mtg, Bmpr, Front, Lh, 2-51

Bracket, Mtg, Bmpr, Front, Rh, 2-51  
 Bracket, Mtg, Circuitbreaker, Ele, 2-19  
 Bracket, Mtg, Cyl, 2-57  
 Bracket, Mtg, Fan, Ev, 3-15  
 Bracket, Mtg, Fltr, Hyd, 2-67  
 Bracket, Mtg, Hinge, 2-51  
 Bracket, Mtg, Horn, 3-7, 3-9  
 Bracket, Mtg, Mirror, 3-11, 3-13  
 Bracket, Mtg, Mirror, Brush, 3-11, 3-13  
 Bracket, Mtg, Mirror, Top, 3-11, 3-13  
 Bracket, Mtg, Motor, Lh, 3-25  
 Bracket, Mtg, Motor, Rh, 2-43  
 Bracket, Mtg, Panel, Cab, 3-15  
 Bracket, Mtg, Pedal, Lh, 2-23  
 Bracket, Mtg, Pedal, Rh, 2-23  
 Bracket, Mtg, Sgl Spray Nozzle [S20],  
     3-53, 3-55  
 Bracket, Panl, Contrl, W/Label, Jp, 2-71  
 Bracket, Panl, Contrl, W/Label, Na, 2-71  
 Bracket, Protector, Float Switch, 3-49  
 Bracket, Retainer, Skirt, Rh, Sbdc, 3-33,  
     3-37  
 Bracket, Rod, Safety, 2-53  
 Bracket, Sbdc, Lh, 3-35  
 Bracket, Sbdc, Rh, 3-31, 3-35  
 Bracket, Sidebrush, Lh, 3-25  
 Bracket, Sppt, Battery, 3-43  
 Bracket, Sppt, Ele Panl, 2-71  
 Bracket, Stiffener [S20], 3-61  
 Bracket, Stop, Brush Door, 2-7, 2-9  
 Bracket, Switch, Brake, 2-25  
 Bracket, Switch, Shaker, 2-45  
 Bracket, Tank Retainer, 3-51  
 Bracket, Tray, 2-59  
 Brake Assy, 2-25  
 Brake Kit, Linkage Ci [S20], 2-25  
 Brush Box and Plate Assembly, 4-7, 4-8  
 Brush Spring, 4-7, 4-8  
 Brush-Side Swp, Flatwire, 2-3  
 Brush-Side Swp, Polypropylene, 2-3  
 Brush-Side Swp, Soft Nylon, 2-3  
 Brush-Sweep, Natural Fiber, Spiral, 2-3  
 Brush-Sweep, Polyester 24 Dr, Spiral, 2-3  
 Brush-Sweep, Polyester 8 Dr, Spiral, 2-3  
 Brush-Sweep, Polypropylene and Wire,  
     Spiral, 2-3  
 Brush-Sweep, Polypropylene, Spiral, 2-3  
 Brush-Sweep, Wedge, Polypropylene,  
     Spiral, 2-3  
 Brush-Sweep, Window, Polypropylene,  
     Spiral, 2-3  
 Brush, Motor, Ele [Av#a91-112e], 4-8  
 Brush, Motor, W/Wire [Av], 4-7  
 Bumper Kit, Corner, Rear, Ci [S20], 3-21  
 Bumper Wldt, Front, 2-51  
 Bumper, Rbr, 0.90d 0.38th 0.18h, 2-11,  
     2-13  
 Bumper, Rbr, 1.0d 0.38th .25-20, 2-9  
 Bumper, Rbr, Adh, 0.50d 0.14th, 3-63  
 Busbar, .06 0.6w 2.5l 2/.28h, 2-71  
 Busbar, Fuse, .6 0.6w 0.8h 2.0l, 2-71

Bushing, 4-5  
 Bushing, Flng, 0.50b 0.59d 0.38l, 2-47  
 Bushing, Sleeve, 0.50b 0.59d 0.38l, Stl, 2-41  
 Bushing, Sleeve, 0.63b 0.72d 0.25l, 2-35, 2-37  
 Bushing, Sleeve, 0.75b 0.88d 0.75l, Tef, 2-57  
 Bushing, Sleeve, 0.78b 0.86d 0.93l, Bnz, 2-25  
 Bushing, Sleeve, 1.00b 1.13d 0.99l, Fgl, 2-49  
 Buss Bar, Copper, Offset, Contactor, 3-57  
 Button, Cntrl, Horn [Isolated], 2-21

**C**

Cable Assy, 2ga [S20e - Telemetry], 3-45  
 Cable Assy, Battery, 04ga, 2clamp, 175a, 3-43  
 Cable, 04ga 12.0l Blk .34ring /.34ring, 2-73  
 Cable, 04ga 15.0l Blk .28ring /.34ring, 2-73  
 Cable, 04ga 21.0l Blk .28ring /.34ring, 2-73  
 Cable, 04ga 30.0l Blk .34ring /.34ring, 2-73  
 Cable, 04ga 32.0l Blk .34ring /.34ring, 2-73  
 Cable, 04ga 48.0l Blk .28ring /.34ring, 2-73  
 Cable, 04ga 60.0l Blk .34ring /.34ring, 2-73  
 Cable, 06ga 11.0l Blk .28ring /.34ring, 2-73  
 Cable, 2ga, Blk [Telemetry, S20e], 3-45  
 Cable, Battery, 04ga 13.5l Blk, 2clamp, 3-43  
 Cable, Battery, 04ga 40.0l Blk, 2clamp, 3-43  
 Cable, Glv .13d 010.0l .52eye /.52eye, 3-21  
 Cable, Glv .13d 010.3l .4clevis /.25-28, 2-35  
 Cable, Glv .13d 024.2l .25eye /.25eye, 2-11, 2-13  
 Cable, Glv .13d 031.0l .4clevis /.55eye, 2-35  
 Cable, Ss .12d 60.25l .55eye / M6-1.0, 2-41  
 Cable, Ss .12d 89.0l .55eye / M6-1.0, 3-23  
 Cable, Ss .19d 008.5l .55eye / M6-1.0, 2-43, 3-25  
 Cam, Plt, Brake [Nickel], 2-25  
 Cap Assembly, 4-5  
 Cap Assy, Tank, Drain, 3-49  
 Cap Screw, 4-3  
 Cap, Breather, Hyd, 1-1  
 Cap, Breather, Hyd, 5.2 Ds, 2-67  
 Cap, End, 4-3, 4-6  
 Cap, Hub, Dust, 2.57d 0.77l, 2-25

Cap, Screw, 4-6  
 Cap, Vinyl, 0.23id, 1.50l, 2-37  
 Cap, Vinyl, 3.28d 0.45l, 2-37  
 Channel Wldt, Ohg, Lh, 3-11, 3-13  
 Channel Wldt, Ohg, Rh, 3-11, 3-13  
 Channel, .19, 2.8w 2.0 04.0l, 2/ M10, 2-47  
 Channel, Latch, 2-15  
 Channel, Mtg, Lock, 2-49  
 Channel, Mtg, Steering Latch, 2-21  
 Channel, Recirculation Flap, 2-5  
 Channel, Sppt, Battery, 3-43  
 Charger, 36vdc 50a 230vac 1ph 50hz, 3-41  
 Charger, 36vdc/144a, 208/240vac, 1 Ph, 3-41  
 Charger, 36vdc/160a, 208/240vac, 3 Ph, 3-41  
 Circuitbreaker, 05.0a, Resetable, 3-3, 3-5, 3-7, 3-9  
 Circuitbreaker, 15.0a, Resetable, 3-57  
 Circuitbreaker, 15a, Resetable, 2-19  
 Circuitbreaker, 2.5a, Resetable, 2-19, 3-3, 3-5, 3-7, 3-9, 3-15  
 Circuitbreaker, 20a, Resetable, 2-19  
 Clamp, Cable, Nyl, 0.62d, Nat, 3-45  
 Clamp, Cable, Stl, 0.69d X 0.62w, 1hole, 2-5, 2-57, 2-59  
 Clamp, Cable, Stl, 0.75d X 0.75w, 1hole, 3-53, 3-55  
 Clamp, Cable, Stl, 1.0x2.0x0.62w, 1hole, 2-49  
 Clamp, Cable, Stl, 1.25d X 1.00w, 1hole, 2-19, 3-7, 3-9  
 Clamp, Hose, Wormdrive, 0.25-0.62d, .31w, 3-49, 3-53, 3-55  
 Clamp, Hose, Wormdrive, 3.56-4.50d, .50w, 2-47  
 Clamp, Steering, 2-29  
 Clevis, Adj, 0.25pin, 0.25-28 Lh, Pl, 2-25  
 Clevis, Adj, 0.25pin, 0.25-28 Rh, Pl, 2-25, 2-35  
 Clevis, Adj, M6 Pin, M6 X 1.0 Rh, Pl, 2-41, 2-43, 3-23, 3-25  
 Clip, Grip, Finger, 1.00-1.88d, White Vyl, 3-39  
 Clip, Grip, Pipe, 0.50, Plstc, 3-15  
 Clip, Keeper, 2-59, 2-61  
 Clip, Spring, Prop Arm, 2-49  
 Column, Steering, 09.9l 0.86d 36tooth, 2-21  
 Commutator Endhead, 4-7, 4-8  
 Cone, 4-5  
 Connector, Anderson, 175a, Gray, 3-41  
 Connector, Anderson, 175a, Orange, 3-46, 3-47  
 Connector, Mal, 2cav, Mp280 Sealed, 3-57  
 Contactor, 36vdc [Spco], 3-3, 3-5, 3-7, 3-9  
 Contactor, 36vdc [Spno], 2-71  
 Contactor, 36vdc, 100a, Sp, No, 2-45, 3-3, 3-5, 3-7, 3-9  
 Control Box Assy Kit, Replmt, Telem[Intl], 3-45

Control Box Assy Kit, Replmt, Telem[Usa], 3-45  
 Controller, 36vdc [Only F/ Tnv], 2-71  
 Cord, Sponge, Neo, 1.0d 36.3l, 1-1, 2-57  
 Cover Wldt, Lh, Sbdc [S20], 3-37  
 Cover Wldt, Rh, Sbdc [S20], 3-33, 3-37  
 Cover, Hppr, 2-53  
 Cover, Hppr, Re-Work [S20], 3-61  
 Cover, Mold, 2-61  
 Cover, Plt, Floor, 2-23  
 Cover, Wldt, Component, Ele, W/Label [S20] Jp, 2-71  
 Cover, Wldt, Component, Ele, W/Label [S20] Na, 2-71  
 Cyl, Hyd, 2.5b 9.0l 01.50strk, 2500, 3-23  
 Cylinder, Hyd, 2.0b 08.0l 04.00strk 2500, 2-57  
 Cylinder, Hyd, 2.0b 19.0l 12.00strk 1500, 2-27  
 Cylinder, Hyd, 2.5b 24.8l 13.50strk 3000, 2-49

**D**

Damper, Inlet, 2-45  
 Deflector, Hppr, Lh, 2-51  
 Deflector, Hppr, Rh, 2-51  
 Detent Adaptr, 4-5  
 Diode, Ele, Plug, 2-19, 3-3, 3-5, 3-7, 3-9, 3-23, 3-57  
 Disc, 0.06, 04.39d 01.67b, 4/30h 3.8bc, 2-37  
 Disc, 0.08, 04.39d 02.56b, 4/28h 3.8bc, 2-36  
 Door Wldt, Brush, Lh, 2-9  
 Door Wldt, Brush, Rh, 2-7  
 Door Wldt, Cab, 3-17  
 Door Wldt, Cleanout [S20], 2-61  
 Door Wldt, Dump, Hppr, 2-57  
 Door Wldt, Wand, Vacuum, 3-39  
 Door, Access, Hppr, 2-51  
 Drive, 4-3, 4-6  
 Drive Endhead, 4-7, 4-8  
 Duct, Vyl, 0.74 X 1.50 .75d Max 48.0l, 3-7, 3-9, 3-15

**E**

Elbow, Mold, 2-61  
 Element, Fltr, Hepa, 10 X 18 X 4.87 S20, 3-63  
 Element, Fltr, Hyd Oil, 1-1, 2-67  
 Extinguisher Kit, Fire, Ci [S20], 3-40  
 Extinguisher, Fire, 2.5 Lb Dry, 3-40

**F**

Fan, 4-7  
 Fan, Defroster, 36vdc, 07.9d, 3-15  
 Fastener, Wire, Tie [Button Head], 2-19, 2-71  
 Field Coil Kit, 4-7, 4-8

## CROSS REFERENCE

Filter Assy, Hyd, 10mic 035gpm, Spin-On, 2-67  
Filter Box Wldt, Hepa, Lower [S20], 3-63  
Filter, Cyl, 11.09d, 13.31l, 6.724 ld, 1-1, 2-61  
Filter, In-Line, Pf06/Pf06 60 Micron, 3-49  
Fitting, Body, Nozzel, Brs, 3-53, 3-55  
Fitting, Brs, 3/8npt, Valve, Breather, 3-49  
Fitting, Brs, Str, Bm03/Pm02, 2-57, 2-61  
Fitting, Cap, Brs, 3-53, 3-55  
Fitting, Draincock, E90, .25npt, 3-49  
Fitting, Grease, 2-29  
Fitting, Grease, Str Pm04 .47l, 2-27, 2-49  
Fitting, Hyd, E45, Fm04/Om04, 3-27  
Fitting, Hyd, E45, Fm06/Om06, 2-27, 2-69  
Fitting, Hyd, E45, Jm04/Om04, 3-27  
Fitting, Hyd, E45, Jm06/Om06, 2-27, 2-69  
Fitting, Hyd, E90, Ff06/Fm06, 2-21  
Fitting, Hyd, E90, Fm04/Om04, 2-57, 3-23  
Fitting, Hyd, E90, Fm04/Om06, 2-49  
Fitting, Hyd, E90, Fm06/Om06, 2-27, 2-49, 2-69  
Fitting, Hyd, E90, Fm08/Om10, 2-43, 2-67, 3-25  
Fitting, Hyd, E90, Fm08/Om12, 2-67  
Fitting, Hyd, E90, Fm12/Om12, 2-67  
Fitting, Hyd, E90, Jf06/Jm06, 2-21  
Fitting, Hyd, E90, Jm04/Om04, 2-57, 3-23  
Fitting, Hyd, E90, Jm04/Om06, 2-49  
Fitting, Hyd, E90, Jm06/Om06, 2-27, 2-49, 2-69  
Fitting, Hyd, E90, Jm08/Om10, 2-43, 2-67, 3-25  
Fitting, Hyd, E90, Jm08/Om12, 2-67  
Fitting, Hyd, E90, Jm12/Om12, 2-67  
Fitting, Hyd, E90, Om04/Qm04, 2-69  
Fitting, Hyd, Plug, Fm08, 2-67  
Fitting, Hyd, Plug, Jm08, 2-67  
Fitting, Hyd, Rst, Fm04/Of04, .047, 2-49  
Fitting, Hyd, Rst, Jf04/Jm04, .047, 2-49  
Fitting, Hyd, Str, Ff08/Fm06, 2-43, 3-25  
Fitting, Hyd, Str, Fm04/Om04, 2-69  
Fitting, Hyd, Str, Fm04/Om06, 2-68  
Fitting, Hyd, Str, Fm06/Fm06 Bh, 3-29  
Fitting, Hyd, Str, Fm06/Om06, 2-21  
Fitting, Hyd, Str, Fm06/Om08, 2-39  
Fitting, Hyd, Str, Fm06/Om10, 2-31  
Fitting, Hyd, Str, Fm08/Om06, 2-21  
Fitting, Hyd, Str, Fm08/Om10, 2-67  
Fitting, Hyd, Str, Fm08/Om12, 2-67  
Fitting, Hyd, Str, Fm12/Om10, 2-39  
Fitting, Hyd, Str, Fm6/Om08, 2-68  
Fitting, Hyd, Str, Jf08/Jm06, 2-43, 3-25  
Fitting, Hyd, Str, Jm04/Om04, 2-69  
Fitting, Hyd, Str, Jm04/Om06, 2-68  
Fitting, Hyd, Str, Jm06/Jm06, 3-29  
Fitting, Hyd, Str, Jm06/Om06, 2-21  
Fitting, Hyd, Str, Jm06/Om08, 2-39, 2-68  
Fitting, Hyd, Str, Jm08/Om06, 2-21  
Fitting, Hyd, Str, Jm08/Om10, 2-67  
Fitting, Hyd, Str, Jm08/Om12, 2-67

Fitting, Hyd, Str, Jm12/Om10, 2-39  
Fitting, Hyd, Str, Om04/Qm04, 2-69  
Fitting, Hyd, Tee, Ff06/Fm06/Fm06, Run, 2-21, 2-69  
Fitting, Hyd, Tee, Fm06/Fm06/Om06, Br, 2-68  
Fitting, Hyd, Tee, Fm06/Fm06/Om06, Run, 2-67  
Fitting, Hyd, Tee, Jf06/Jm06/Jm06, Run, 2-21  
Fitting, Hyd, Tee, Jm06/Jm06/Om06, Br, 2-68  
Fitting, Hyd, Tee, Jm06/Jm06/Om06, Run, 2-67, 2-69  
Fitting, Nyl, Qdc, E90, Bm06/ Qm10, 3-49  
Fitting, Plstc, E90, Bm04/Pm04, Nyl, 3-49  
Fitting, Plstc, E90, Bm06/Bm06, 3-49  
Fitting, Plstc, E90, Bm06/Pm04, Nyl, 3-53, 3-55  
Fitting, Plstc, Str, Bm04, Cplg, Male, 3-49  
Fitting, Plstc, Str, Bm04, Cplg, Fem[Tco], 3-49  
Fitting, Plstc, Str, Bm06, Cplg, Fem, 3-49  
Fitting, Plstc, Str, Bm06, Cplg, Male, 3-49  
Fitting, Plstc, Str, Bm06/Bm06, 3-49  
Fitting, Plstc, Str, Bm06/Pm06, 3-49  
Fitting, Plstc, Str, Pf04/Pf04, Bh, 3-49  
Fitting, Plstc, Tee, Bm03/Bm06/Bm06, Br, 3-49  
Fitting, Plstc, Y, Bm06/Bm06/Bm06, Nyl, 3-55  
Fitting, Plug, Org, #6, Valve [Cec], 4-10  
Flange Mounting, 4-3  
Flange, Brg, 1.9id 2h, 2-36  
Flap, Recirculation, 1-1, 2-5  
Flasher, 12/48vdc 5a [6309/12-48v], 3-3, 3-5, 3-7, 3-9  
Frame Wldt, Ele [S20], 2-5  
Frame Wldt, Main [S20 Ele], 2-5  
Fuse, 002a, 250vdc, Cartridge, 3-45  
Fuse, 080a, 0.88 2.4l, 125volt, Slow-Blow, 2-71  
Fuse, 100a, 0.88 2.4l, 125volt, 2-71

## G

Gasket, .19, 4.05id 5.29od [Buna], 3-49  
Gasket, Cap, Breather, Hyd, 2-67  
Gasket, Cover, 1-1, 2-61, 2-71, 3-63  
Gasket, Door, Wand, Vacuum, 3-39  
Gasket, Tray, 2-59, 2-61  
Gauge, Discharge, Battery, 36vdc, Led, 2-19  
Gauge, Hourmeter, 05-277vdc/Vac, 2-Hole, 2-19  
Gauge, Sensing, Level, 2-67  
Gear, Drive, 2-29  
Gearbox, 90, Drive Wheel, Rear [Hu], 2-29  
Gearbox, Drive, 90, Wheel [Zf Gk20], 2-31  
Gerotor Set, 4-3, 4-6  
Grip, Vyl, 2-45, 2-68

Grommet, Pye, 0.37id, F/1.5h, .13 Matl, 3-49  
Grommet, Rbr, 0.50id, F/0.8h, .09 Matl, 2-71  
Grommet, Rbr, 0.62id, F/0.9h, .06 Matl, 2-57  
Grommet, Rbr, 0.69id, F/1.0h, .25 Matl, 2-51  
Grommet, Rbr, 1.06id, F/1.4h, .19 Matl, 3-7, 3-9  
Grommet, Rbr, 1.50id, F/1.8h, .19 Matl, 3-53, 3-55  
Grommet, Taillight, 5.44 X 3.56, 2-5  
Guard, Belt, Brush Drive, W/ Label, Jp, 2-39  
Guard, Belt, Brush Drive, W/ Label, Na, 2-39  
Guard, Brush, 2-43, 3-25  
Guard, String, Motor, Brush, 2-43, 3-25

## H

Handle Wldt, Brush, Side, 2-41  
Handle Wldt, Door, 3-11, 3-13  
Handle Wldt, Latch, Shrd, 2-15  
Handle Wldt, Lift, Brush, 2-33  
Handle, Cntrl, Valve, 2-68  
Handle, Door, 3-17  
Harness Kit, Main, Ele, Replmt [S20], 2-81  
Harness, Alarm / Strobe, 36vdc [S20], 3-3, 3-5  
Harness, Alarm / Strobe, Ohg, 36vdc[S20], 3-7, 3-9  
Harness, Brush, Side, Lh, 36Vdc [S20], 3-26  
Harness, Cntrl, Wet Dust [S20ic], 3-59  
Harness, Ele [Telemetry, S20e], 3-45  
Harness, Fan, Ic [S20], 3-15  
Harness, Hppr, 36vdc [S20], 2-81  
Harness, Hppr, Cover [S20], 2-81  
Harness, Main, Ele [S20], 2-81  
Harness, Seat [S20], 3-19  
Harness, Shagr, Motor [S20], 2-81  
Harness, Wire, Battery, 3-46, 3-47  
Harness, Wire, Controller, 2-73  
Harness, Wire, Seat [S20], 2-13  
Headband, 4-8  
Headlight, 36v, 2-51  
Headlight, 12-48vdc, 10watt, Rnd Led, Ul, 2-51  
Headlight, 36vdc, 60watt 1.7a, 3-3, 3-5, 3-7, 3-9  
Headlight, 36vdc, Led, Ul, 2-51  
Hepa Airbox, Upper [S20], 3-63  
Hinge, .25pin .12 3.0w 03.0l, 4/0.28sl, 2-51  
Hinge, .25pin .12 3.0w 04.5l, 6/0.38sl, 2-11, 2-13  
Hinge, .38pin .12 3.5w 07.8l, 4/0.38h, 2-7, 2-9  
Hinge, .38pin .12 3.5w 4.0l [Oal], 2-53  
Hood, Stiffener Wldt Lh [S20], 3-61  
Hood, Stiffener Wldt Rh [S20], 3-61

Hopper [S20], 2-51  
 Horn, 36vdc, 115 DbA, 2-5  
 Hose Assy, W/2cuff, 2.0d 120l 2.0/2.0, 3-39  
 Hose, Afmkt, Pvc, Brd, 0.38id, 08ft, Clr, 3-49, 3-53, 3-55  
 Hose, Afmkt, Pvc, Brd, 0.38id, 20ft, Clr, 3-55  
 Hose, Afmkt, Pvc, Clr, 0.25id, 03ft, 3-49  
 Hose, Flex, Vacuum, 04.0d, 021.0l, 2-47  
 Hose, Flex, Vacuum, 04.0d, 21.0l, 1-1  
 Hose, Hyd, Low06, Jf06e45/Jf06str, 022.0, 2-65  
 Hose, Hyd, Low06, Jf06e90/Jf06str, 052.0, 2-65  
 Hose, Hyd, Low06, Jf06str/Jf06str, 026.0, 2-65  
 Hose, Hyd, Low06, Of06e45/Of06str, 022.0, 2-65  
 Hose, Hyd, Low06, Of06e90/Of06str, 052.0, 2-65  
 Hose, Hyd, Low06, Of06str/Of06str, 026.0, 2-65  
 Hose, Hyd, Low08, Jf08e45/Jf08str, 024.0, 2-65  
 Hose, Hyd, Low08, Jf08e90/Jf08str, 024.0, 2-65  
 Hose, Hyd, Low08, Jf08e90/Jf08str, 032.0, 2-65  
 Hose, Hyd, Low08, Of08e45/Of08str, 024.0, 2-65  
 Hose, Hyd, Low08, Of08e90/Of08str, 024.0, 2-65  
 Hose, Hyd, Low08, Of08e90/Of08str, 032.0, 2-65  
 Hose, Hyd, Med04, Jf04e45/Jf04str, 018.0, 2-65  
 Hose, Hyd, Med04, Jf04e90/Jf04str, 088.0, 2-65  
 Hose, Hyd, Med04, Of04e45/Of04str, 018.0, 2-65  
 Hose, Hyd, Med04, Of04e90/Of04str, 088.0, 2-65  
 Hose, Hyd, Med06, Jf06e45/Jf06str, 021.0, 2-65  
 Hose, Hyd, Med06, Jf06e90/Jf06str, 068.0, 2-65, 3-29  
 Hose, Hyd, Med06, Jf06e90/Jf06str, 100.0, 2-65, 3-29  
 Hose, Hyd, Med06, Jf06str/Jf06str, 030.0, 2-65  
 Hose, Hyd, Med06, Jf06str/Jf06str, 042.0, 2-65  
 Hose, Hyd, Med06, Of06e45/Of06str, 021.0, 2-65  
 Hose, Hyd, Med06, Of06e90/Of06str, 068.0, 2-65, 3-29  
 Hose, Hyd, Med06, Of06e90/Of06str, 100.0, 2-65, 3-29  
 Hose, Hyd, Med06, Of06str/Of06str, 030.0, 2-65  
 Hose, Hyd, Med06, Of06str/Of06str, 042.0, 2-65

Hose, Hyd, Suc12, Jf12e90/Jf12str, 024.0, 2-65  
 Hose, Hyd, Suc12, Of12e90/Of12str, 024.0, 2-65  
 Hose, Hyd, Tc04, Jf04str/Jf04e90, 070.0, 2-65  
 Hose, Hyd, Tc04, Jf04str/Jf04str, 020.0, 3-29  
 Hose, Hyd, Tc04, Jf04str/Jf04str, 028.0, 3-29  
 Hose, Hyd, Tc04, Of04str/Of04e90, 070.0, 2-65  
 Hose, Hyd, Tc04, Of04str/Of04str, 020.0, 3-29  
 Hose, Hyd, Tc04, Of04str/Of04str, 028.0, 3-29  
 Hose, Hyd, Tc06, Jf06e90/Jf06str, 024.0, 2-65  
 Hose, Hyd, Tc06, Jf06e90/Jf06str, 034.0, 2-65  
 Hose, Hyd, Tc06, Jf06e90/Jf06str, 086.0, 3-29  
 Hose, Hyd, Tc06, Jf06e90/Jf06str, 096.0, 3-29  
 Hose, Hyd, Tc06, Jf06str/Jf06str, 020.0, 2-65  
 Hose, Hyd, Tc06, Of06e90/Of06str, 024.0, 2-65  
 Hose, Hyd, Tc06, Of06e90/Of06str, 086.0, 3-29  
 Hose, Hyd, Tc06, Of06e90/Of06str, 34.0, 2-65  
 Hose, Hyd, Tc06, Of06str/Of06str, 020.0, 2-65  
 Hose, Vacuum, 0.16id X 060.0l, 2-57  
 Housing, 4-3  
 Housing Wldt, Fan, 2-47  
 Housing, Brg, Drive, Brush, 2.5d 2.0b 5.0, 2-37  
 Housing, Fan, Rear, Impeller, 2-47  
 Housing, Fing, Brg, 2-47  
 Housing, Upper, Gearbox, Drive Wheel, 2-29  
 Hub, Adapter, Brush, 1.00b, 2-43, 3-25  
 Hub, Guide, End, Actuator, 2-39

**I**

Impeller, 9.00d X 1.40w X 0.376b, 2-47  
 Instr, Use&Care, Wallchart [Ts20] (ONLINE ONLY), 3-64  
 Instr. Repair Info, Motor, 4-3  
 Instr. Valve Repair Info, 4-5  
 Insulation, Acstc, 3-13  
 Insulation, Acstc, 0.5, 04.6 X 04.4, 2-47  
 Insulation, Acstc, 0.5, 08.6 X 03.6, 2-47  
 Insulation, Acstc, 0.5, 08.6 X 04.2 Ntch, 2-47  
 Insulation, Acstc, 0.5, 08.6 X 04.6 Ntch, 2-47  
 Insulation, Acstc, 0.5, 08.7 X 04.2 Ntch, 2-47

Insulation, Acstc, 0.5, 13.0 X 17.8 Ntch, 2-11, 2-13  
 Insulation, Acstc, 0.5, 15.4 X 20.5 Ntch, 2-11, 2-13  
 Insulation, Acstc, 0.5, 2.3 X 11.1 Ntch, 2-11, 2-13  
 Insulation, Acstc, 0.5, 21.4 X 20.6 C-O, 2-11, 2-13  
 Insulation, Acstc, 0.5, 21.5 X 12.2 Ntch, 2-11  
 Insulation, Acstc, 0.5, 31.6 X 14.1 Ntch, 2-11, 2-13  
 Insulation, Acstc, 0.5, 32.0 X 21.6 Ntch, 2-11  
 Insulation, Acstc, 0.5, 4.5 X 11.0 Ntch, 2-11, 2-13  
 Insulation, Acstc, 0.5, 9.2 X 11.8 Ntch, 2-11, 2-13  
 Insulation, Acstc, 0.8, 06.6 X 03.0 Slit, 2-11  
 Insulation, Acstc, 2.0, 02.0 X 12.0, 2-5  
 Insulation, Acstc, Rnd, 0.8, 02.5d 0.5h, 2-21

**K**

Key- Wdruff 0.16 0.662 Asa#0505, 4-7  
 Key, Ignition [Set Of 2], 2-19  
 Key, Sq, 0.12 X 0.12, 1.00l, 2-47  
 Key, Sq, 0.19 X 0.19, 1.38l, 2-39  
 Key, Sq, 0.25 X 0.25, 1.00l, 2-37  
 Key, Woodruff, 0.19 0.75 [Asa0606], 2-47  
 Keychain, Rectangle, Parts & Service, 2-19  
 Kit, Detent In, 4-5  
 Knob, 1.12d 3.86l M10 X 1.5, Plstc Tprj, 2-33, 2-41  
 Knob, Star, 2.75d 4ear 1.1l M8x1.25, 2-61, 3-63  
 Knob, Tee, 0.38-16, 2.5 X 1.0 1.1l, Plstc, 2-21

**L**

Label Set, Opertnl [S20 Ele], 2-82  
 Label [Cyclone, Sweepmax S20], 2-82  
 Label Set, Info/Hzrd [S20], 2-82  
 Label, Model [S20], 2-82  
 Label, Watershield [S20], 3-57  
 Latch, 2-15, 2-53, 3-17  
 Latch, Door, 2-51  
 Latch, Door [Southco 91-562-07], 2-61, 3-63  
 Latch, Paddle, Rwk, 2-17  
 Latch, Swell, 2-7, 2-9  
 Lead Assembly Kit, 4-8  
 Lever, Adj, Metal, 2-41, 3-23  
 Lever, Adj, Plstc, 2-33  
 Lever, Brush Lift, 2-33  
 Lever, Stop, Brake, 2-25  
 Lever, Vacfan, 2-45  
 Light, Led, .312d, 36 Vdc [Tri-Color], 3-57

## CROSS REFERENCE

Light, Led, 36vdc, 4.8d [Sealed Beam],  
3-3, 3-5, 3-7, 3-9  
Light, Panl, 36vdc, 1.1 X 1.0, 2-19  
Light, Strobe, Amb, 12-48vdc [Led], 3-3,  
3-5, 3-7, 3-9  
Link Assy, Valve Handle, 2-68  
Link, Lift, Main Brush, 2-33

### M

Maint Kit, 400hr [S20 Ele], 1-1  
Maint Kit, 800Hr [S20 Ele], 1-1  
Manual, Oprtr [S20 Ele, Cn], 3-64  
Manual, Oprtr [S20 Ele, Ptb], 3-64  
Manual, Oprtr [S20 Elec, En], 3-64  
Manual, Oprtr [S20 Elec, Es], 3-64  
Manual, Oprtr [S20 Elec, Fr], 3-64  
Manual, Oprtr [S20 Elec, Jp], 3-64  
Manual, Parts [S20 Ele, En], 3-64  
Manual, Service [S20 Gas/Lpg/Dsl, En],  
3-64  
Mirror, Convex, 06.7 X 06.2, 3-11, 3-13  
Mirror, Flat, 05.0d, 3-11, 3-13  
Molding, Afmkt, Trim, Pvc, .18 .31, 08Ft,  
3-11, 3-13  
Molding, Afmkt, Trim, Pvc, .18 .31, 20ft,  
3-61  
Molding, Trim, Pvc, .08-.11 39.2l, 3-39  
Motor, Ele, 36vdc 1300rpm 2.10hp, 2-31  
Motor, Ele, 36vdc 2130rpm 2.10hp (See  
Breakdowns), 2-29  
Motor, Ele, 36vdc 22017rpm 0.11hp 03.3a,  
2-61  
Motor, Ele, 36vdc 2300rpm 4.00hp (See  
Breakdowns), 2-39  
Motor, Electric, 36VDC 2.1 HP, 4-7  
Motor, Electric, 36VDC 4.0 HP, 4-8  
Motor, Hyd Gear In 08.9 B 1500, 4-3  
Motor, Hyd, Gear, Int 08.9 Bi-Dir 1500,  
2-43, 3-25  
Motor, Hyd, Gear, Int 08.9 Bi-Dir 1500  
(See Breakdown), 3-25  
Motor, Hyd, Gear, Int 08.9 Bi-Dir 1500  
(See Breakdowns), 2-43  
Motor, Hyd, Gear, Int 14.9 Bi-Dir 1300,  
2-31  
Muffler Wldt, Fan, 2-47

### N

Nozzle, Spray, 110 Deg, 0.05 Gpm, 3-53,  
3-55  
Nut, Coil, Nyl Patch, 4-12  
Nut, Hex, Flexlock, .31-24, Thin, 2-47  
Nut, Hex, Flexlock, .38-24, 2-47  
Nut, Hex, Flexlock, .50-13, Thin, 2-43,  
3-25  
Nut, Hex, Flng, M10 X 1.50, 2-49, 2-71  
Nut, Hex, Flng, M12 X 1.75, 2-5, 3-11,  
3-13  
Nut, Hex, Flng, M8 X 1.25, 2-5, 2-11,  
2-13, 2-19, 2-23, 2-45, 2-49, 2-53,

2-57, 2-67, 2-71, 3-3, 3-5, 3-7,  
3-9, 3-11, 3-13  
Nut, Hex, Jam, .25-28, 2-25  
Nut, Hex, Jam, .31-24, 2-45  
Nut, Hex, Jam, .50-13, 2-15  
Nut, Hex, Jam, .75-16, 2-27  
Nut, Hex, Jam, M20 X 1.5, 2-21  
Nut, Hex, Lock, .25-20, NI, Ss, 2-9  
Nut, Hex, Lock, .31-18, NI, 2-15  
Nut, Hex, Lock, .31-24, NI, 2-7  
Nut, Hex, Lock, .38-16, NI, 2-39, 2-47  
Nut, Hex, Lock, .38-16, NI, Thin, 2-37  
Nut, Hex, Lock, .75-10, NI, 2-27, 2-37  
Nut, Hex, Lock, #06-32, NI, 2-45  
Nut, Hex, Lock, #10-32, NI, 2-61  
Nut, Hex, Lock, M10 X 1.5, NI, 2-23, 2-37,  
2-39, 2-41, 2-49, 2-51, 3-19, 3-20  
Nut, Hex, Lock, M12 X 1.75, NI, 2-25,  
2-37, 2-49  
Nut, Hex, Lock, M14 X 1.50, NI, 2-29  
Nut, Hex, Lock, M16 X 2.00, NI, 2-43,  
3-25  
Nut, Hex, Lock, M4 X 0.70, NI, 2-57, 2-61,  
3-15  
Nut, Hex, Lock, M4 X 0.70, NI, Ss, 3-49,  
3-63  
Nut, Hex, Lock, M5 X 0.80, NI, 2-19, 2-25,  
2-57, 3-3, 3-5, 3-7, 3-9, 3-17, 3-45  
Nut, Hex, Lock, M6 X 1.00, NI, 2-15, 2-19,  
2-21, 2-23, 2-25, 2-45, 2-47, 2-51,  
2-53, 2-57, 2-68, 3-3, 3-5, 3-7,  
3-9, 3-11, 3-13, 3-17, 3-23, 3-39,  
3-43, 3-45, 3-46, 3-47, 3-51, 3-61  
Nut, Hex, Lock, M8 X 1.25, NI, 2-5, 2-11,  
2-13, 2-25, 2-33, 2-37, 2-41, 2-49,  
2-51, 2-55, 2-57, 2-59, 2-67, 3-3,  
3-5, 3-7, 3-9, 3-17, 3-19, 3-23,  
3-31, 3-35  
Nut, Hex, Lock, M8 X 1.25, NI, Ss, 2-29,  
2-31, 2-43, 3-25  
Nut, Hex, M8 X 1.25, 3-33, 3-37  
Nut, Hex, Sltd, .75-16, 2-25, 2-27, 2-37  
Nut, Hex, Std, .25-28, 2-35  
Nut, Hex, Std, .25-28, Lh, 2-25  
Nut, Hex, Std, .38-16, 2-23  
Nut, Hex, Std, #10-32, Ss, 2-5  
Nut, Hex, Std, 10-32, 2, 2-45  
Nut, Hex, Std, M10 X 1.50, Ss, 2-37  
Nut, Hex, Std, M3 X 0.50, 8, 2-19  
Nut, Hex, Std, M6 X 1.00, 8, 2-23, 2-41  
Nut, Hex, Std, M6 X 1.00, Ss, 2-43, 3-23,  
3-25  
Nut, Short, 4-9, 4-10  
Nut, Solenoid, 4-11  
Nut, Wheel, M14-1.5, 2-29, 2-31

### O

Ohg Kit, Ci [S20], 3-11

Oil, Hyd [El, Iso 32, 01Gal], 1-1

### P

Pad, Pedal, Brake, 3.96l 2.36w 0.75, 2-25  
Pad, Wear, Pye, 1.25d 1.0l, 2-27  
Paint, Airdry, Blk, 12oz, 1-1  
Paint, Airdry, Gray, 12oz [Enamel], 1-1  
Paint, Airdry, Iron Gray, 12oz[Pwdr Coat],  
1-1  
Paint, Airdry, Off-White, 12oz, 1-1  
Paint, Airdry, Teal, 12oz, Solid, 1-1  
Pane Assy, Windshield, 3-15  
Panel Assy, Cab, 3-15  
Panel Assy, Indicator Light, Ele, 2-19  
Panel Wldt, Frame, Cab, 3-15  
Panel Wldt, Frame, Rear, 3-15  
Panel Wldt, Top, Ohg, 3-11, 3-13  
Panel, Louver, 2-11, 2-13  
Panel, Muffler, Fan, 2-47  
Panel, Oprtr Station, W/ Label, Jp [S20e],  
2-19  
Panel, Oprtr Station, W/ Label, Na [S20e],  
2-19  
Pedal Wldt, Brake, 2-25  
Pedal Wldt, Propel, Lower, Adj, 2-23  
Pedal, Propel, Adj, Upper, 2-23  
Pin, 4-6  
Pin Assy, Clevis, Hppr Lift, 2-49  
Pin Assy, Side Brush W/ Clip, 2-43, 3-25  
Pin, 0.75d 02.0l, 1/31h, Stl, 2-49  
Pin, 1.25d 04.0l, 1/34h, Stl, 2-49  
Pin, Clevis, 0.25d X 0.75l, 2-25, 2-35,  
2-43, 3-23, 3-25  
Pin, Clevis, 0.31d X 1.62l, 3-23  
Pin, Clevis, 0.37d X 0.75l, 2-43, 3-25  
Pin, Clevis, 0.37d X 1.00l, 2-35  
Pin, Clevis, 0.37d X 1.50l, 3-23  
Pin, Clevis, 0.37d X 2.00l, 2-41  
Pin, Clevis, 0.37d X 2.12l, 2-41  
Pin, Clevis, 0.37d X 3.50l, 2-23  
Pin, Clevis, 0.37d X 6.12l, 2-39  
Pin, Clevis, 0.50d X 1.25l, 2-33  
Pin, Clevis, 0.50d X 2.25l, 2-57  
Pin, Clevis, 0.50d X 3.00l, 2-47  
Pin, Clevis, 0.50d X 3.50l, 2-23  
Pin, Clevis, 0.50d X 6.00l, 2-57  
Pin, Cotter, .062 X 0.50, 2-25  
Pin, Cotter, .094 X 0.75, 2-35  
Pin, Cotter, .094 X 1.00, 2-45  
Pin, Cotter, .125 X 0.75, 2-45  
Pin, Cotter, .125 X 1.00, 2-23, 2-25, 2-57  
Pin, Cotter, .125 X 1.25, 2-27, 2-37, 2-47,  
3-23  
Pin, Cotter, .187 X 1.75, 2-49  
Pin, Cotter, .250 X 1.25, 2-49  
Pin, Cotter, Hair, 0.31d .058 Wir, 2-11,  
2-13, 2-35, 2-39, 2-43, 3-23, 3-25  
Pin, Cotter, Hair, 0.38d .072 Wir, 2-5  
Pin, Cotter, Hair, 0.38d .093 Wir, 2-23,  
2-33, 2-41  
Pin, Dowel, 0.3127d X 1.00l, 2-29  
Pin, Hitch, .500d X 6.00l, PI, 3-21

Pin, Roll, .094d X 0.87l, .094/.097, 2-51  
 Pin, Roll, .250d X 0.75l, .250/.256, 2-49  
 Pin, Roll, .250d X 2.00l, .250/.256, 2-37  
 Pin, Roll, .250d X 3.50l, .250/.256, 2-37  
 Pivot Wldt, 3-23  
 Pivot Wldt, Sba, 3-23  
 Plate Wldt, 3-23  
 Plate Wldt, Back, Hppr, 2-57  
 Plate Wldt, Damper, 2-45  
 Plate Wldt, Lh, 2-11, 2-13  
 Plate Wldt, Perma-Filter, 2-59  
 Plate Wldt, Pivot, 2-51  
 Plate Wldt, Rh, 2-11, 2-13  
 Plate, Backing, Brake, 2-25  
 Plate, Component, Ele, W/Label [S20] Jp, 2-71  
 Plate, Component, Ele, W/Label [S20] Na, 2-71  
 Plate, Cover, Muffler, 2-47  
 Plate, Grommet, Taillight, Ele, 2-5  
 Plate, Idler, Adjmt, 2-39  
 Plate, Mtg, 2-21  
 Plate, Mtg, Fire Extinguisher, 3-40  
 Plate, Mtg, Latch, 2-17  
 Plate, Mtg, Light, 3-3, 3-5  
 Plate, Mtg, Pin, 2-49  
 Plate, Mtg, Seatbelt, 3-20  
 Plate, Pivot, Lift, Auto, 2-35  
 Plate, Pump Mtg, 3-49  
 Plate, Retainer, Headlight, 2-51  
 Plate, Seal, 2-9  
 Plate, Shield, Top, 3-15  
 Plate, Spacer, Lift Arm, 2-49  
 Plate, Sppt, Bmpr, 2-51  
 Plate, Sppt, Headlight, 2-51  
 Plate, Sppt, Hinge, 3-17  
 Plate, Support, Skirt Sbdc, 3-33, 3-37  
 Plate, Switch / Light Mtg, 3-57  
 Plate, Wear, 2-51, 4-6  
 Plug & O-Ring, 4-5  
 Plug Assy, Hyd, 2-68  
 Plug Assy,Byd, 4-5  
 Plug Gage #6, 4-5  
 Plug Orifice [6112046] Duplicate, 4-12  
 Plug Wldt, Drive, Brush, 2-37  
 Plug Wldt, Idler, Brush, 2-36  
 Plug, Cap, Nat, 3-49  
 Plug, Gearbox, Drive Wheel, 2-29  
 Plug, Hole, Rnd, 0.22H .00-.06, Blk Nyl, 3-11, 3-13  
 Plug, Hole, Rnd, 0.25h .03-.12, Blk Nyl, 3-15  
 Plug, Hole, Rnd, 0.25h 0.8l, Brb, Nyl, 2-5, 2-49, 2-51  
 Plug, Hole, Rnd, 0.38h .3l, Plstc, 3-15  
 Plug, Hole, Rnd, 0.38h .4-.7, Blk Nyl, 2-5  
 Plug, Hole, Rnd, 0.44h .03-.12, Blk Nyl, 2-19  
 Plug, Hole, Rnd, 0.56h .03-.12, Blk Nyl, 2-5  
 Plug, Hole, Rnd, 0.75h .03-.12, Blk Nyl, 3-15

Plug, Hole, Rnd, 1.00h .14-.25, Blk Nyl, 3-15  
 Plug, Hole, Rnd, 1.37h 0.45l, Blk Nyl, 2-5  
 Plug, Hole, Rnd, 2.13h 0.6l, Blk Nyl, 2-5  
 Plug, Orifice, Valve, Hyd, .035, 4-10  
 Plunger, 4-5  
 Pulley, Cable, 1.5d Nyl, 2-41, 3-23  
 Pulley, Cable, 2.5d 0.50b, .22d Cable, 2-35  
 Pulley, Cable, 3.0d 1.76b, .25d Cable, 2-49, 3-23  
 Pulley, Idler W/ Bearing, Plstc, 2-39  
 Pump, Hyd, Gear, Ext, 2, 00.45 3000, Cw, 2-39  
 Pump, Hyd, Gear, Ext, 2, 7.0cc 4.5cc, 2-39  
 Pump, Soltn, 36vdc, 65psi [Fast li+], 3-49

**R**

Race Thrust, 4-3  
 Race, Bearing, 4-6  
 Relay, 36vdc, 005a, Spdt No [Greenwich], 2-19  
 Relay, 36vdc, 100a, Spdt No [Cabelform], 2-71  
 Relay, 36vdc, 20a [Pokorny], 3-57  
 Relief Valve [Rv08-22a-0-N-35/24], 4-11, 4-12  
 Repair Info, 4-6  
 Reservoir, 02.8gal, W/ Label [6400e], 2-67  
 Resistor, 040.000hm, 0040watt, 2-19  
 Resistor, Ele, Plug, 2-71  
 Retainer, Front, 4-6  
 Retainer, Ring, Brake, 2-25  
 Retainer, Seal, Dust, .12 X 0.8w X 33.6l, 2-59  
 Retainer, Seal, Hppr Door, Side, 2-57  
 Retainer, Seal, Hppr, Top, 2-5  
 Retainer, Skirt, 3-31, 3-35  
 Retainer, Skirt, .12, 1.0w X 08.1l, Pl, 2-5, 2-9  
 Retainer, Skirt, .12, 1.0w X 10.4l, Pl, 2-5  
 Retainer, Skirt, .12, 1.0w X 19.3l, Pl, 2-7  
 Retainer, Skirt, Lh Side, 3-33, 3-37  
 Ring, Retaining, 4-5, 4-6  
 Ring, Retaining, Ext, 0.38d, [Klipring], 2-41  
 Ring, Retaining, Ext, 0.50d, Hd, 2-21  
 Ring, Retaining, Ext, 0.98d, [E-Ring], 2-49  
 Ring, Retaining, Ext, 0.98d, Basic, 2-37  
 Ring, Retaining, Int, 1.63d, 2-27  
 Ring, Retaining, Int, 2.00d, 2-49  
 Ring, Steering, 2-29  
 Rivet, Blind, .187d X 0.53 X .62d, Alm, 3-61  
 Rivet, Plstc, .250d X 0.90, 2-5  
 Rod Wldt, Damper, 2-45  
 Rod Wldt, Safety, Hppr Cover, 2-53  
 Rod-End, 0.75-16rh Mal 0.75b [Teflon], 2-27

Rod, Latch, Tilt, Steering, 2-21  
 Rod, Thrd, 2 End, .25-28 16.00l, 2-25  
 Rod, Thrd, 2 End, M06 X 1.0 02.2l, 2-23

**S**

Sbdc Kit, W/ Lh Side Brush, Ci [S20], 3-35, 3-37  
 Sbdc Kit, W/O Lh Side Brush, Ci [S20], 3-31, 3-33  
 Screen, Fitr, 60 Micron, Caged Ss, 3-49  
 Screen, Pump, 3-49  
 Screw, 4-3  
 Screw, Btn, M8 X 1.25 X 16, Ss, 2-11, 2-13, 2-49  
 Screw, Flt, M12 X 1.75 X 80, 10.9, 2-37  
 Screw, Flt, Soc, .50-13 X 2.50, Al, 2-43, 3-25  
 Screw, Flt, Soc, M10 X 1.50 X 25, Ss, 2-37  
 Screw, Flt, Soc, M6 X 1.00 X 25, 10.9, 2-51  
 Screw, Flt, Soc, M8 X 1.25 X 16, 10.9, 2-35  
 Screw, Flt, Soc, M8 X 1.25 X 20, 18-8,Ss, 2-57  
 Screw, Hex, .25-20 X 0.50, G5, 2-71  
 Screw, Hex, .25-20 X 0.75, Sems, 2-15  
 Screw, Hex, .25-20 X 1.00, G5, 3-17  
 Screw, Hex, .31-12 X 1.50, Fmg [Ab], 2-43, 3-25  
 Screw, Hex, .31-18 X 0.62, G5, 2-11  
 Screw, Hex, .31-18 X 2.25, G5, 2-15  
 Screw, Hex, .38-16 X 0.75, G5, 2-21  
 Screw, Hex, .38-16 X 1.00, NI, 2-67  
 Screw, Hex, .38-16 X 1.25, NI, 2-43, 3-25  
 Screw, Hex, .38-16 X 1.50, Fl, 2-23  
 Screw, Hex, .38-16 X 1.50, G5, 2-37  
 Screw, Hex, .38-16 X 2.00, G5, 2-39  
 Screw, Hex, .50-13 X 0.75, G5, 3-3, 3-5, 3-7, 3-9  
 Screw, Hex, .50-13 X 2.50, G5, 2-15  
 Screw, Hex, .75-10 X 3.00, G5, 2-27  
 Screw, Hex, 06-20 X 0.50, Fmg/Ab, Pl, 2-47  
 Screw, Hex, 06-32 X 0.75, Fmg, Pl, 2-71  
 Screw, Hex, M10 X 1.50 X 100, 8.8, 2-49  
 Screw, Hex, M10 X 1.50 X 20, 8.8, 2-59, 2-69, 3-20, 3-27  
 Screw, Hex, M10 X 1.50 X 20, Ss, 2-35  
 Screw, Hex, M10 X 1.50 X 25, 8.8, 2-39, 3-19, 3-43  
 Screw, Hex, M10 X 1.50 X 25, Ss, 2-43, 2-49  
 Screw, Hex, M10 X 1.50 X 30, Ss, 2-51  
 Screw, Hex, M10 X 1.50 X 35, 9.8, Sems, 2-39, 2-47, 2-51, 2-55, 2-71, 3-21, 3-25, 3-49  
 Screw, Hex, M10 X 1.50 X 60, 8.8, 2-23  
 Screw, Hex, M10 X 1.50 X 70, Fl, Ss, 2-37  
 Screw, Hex, M12 X 1.75 X 120, 8.8, 2-49  
 Screw, Hex, M12 X 1.75 X 30, 8.8, 2-29, 2-31, 3-11, 3-13

## CROSS REFERENCE

- Screw, Hex, M12 X 1.75 X 35, 8.8, 2-25  
Screw, Hex, M12 X 1.75 X 40, 8.8, 2-5  
Screw, Hex, M16 X 2.00 X 20, 8.8, 2-37  
Screw, Hex, M16 X 2.00 X 90, 8.8, 2-43, 3-25  
Screw, Hex, M4 X 0.70 X 20, Fmg, 2-17  
Screw, Hex, M5 X 0.80 X 10, Fmg, 2-11, 2-13  
Screw, Hex, M5 X 0.80 X 16, 8.8, 2-57  
Screw, Hex, M5 X 1.0 X 16, Blk, 2-25  
Screw, Hex, M6 X 1.00 X 10, 8.8, 3-23  
Screw, Hex, M6 X 1.00 X 12, 8.8, 2-15, 2-25  
Screw, Hex, M6 X 1.00 X 12, Fmg, 2-39, 2-47, 2-57, 2-59, 2-71, 3-17  
Screw, Hex, M6 X 1.00 X 16, 8.8, 3-17  
Screw, Hex, M6 X 1.00 X 16, Fmg, 2-51, 3-11, 3-13, 3-15  
Screw, Hex, M6 X 1.00 X 16, NI, Ss, 2-11, 2-13  
Screw, Hex, M6 X 1.00 X 20, 8.8, 2-23, 2-45, 2-47, 3-11, 3-13, 3-61  
Screw, Hex, M6 X 1.00 X 20, 9.8, Sems, 2-19, 3-31, 3-35  
Screw, Hex, M6 X 1.00 X 20, Fmg, 2-49, 2-57, 3-31, 3-35  
Screw, Hex, M6 X 1.00 X 20, Ss, 3-39  
Screw, Hex, M6 X 1.00 X 25, 9.8 Sems, 2-21, 2-37, 2-57  
Screw, Hex, M6 X 1.00 X 25, 9.8, Sems, 2-17, 2-45, 2-53  
Screw, Hex, M6 X 1.00 X 30, 9.8, Sems, 3-49  
Screw, Hex, M6 X 1.00 X 35, 8.8, 3-43, 3-46, 3-47  
Screw, Hex, M6 X 1.00 X 50, 8.8, 2-25, 2-68, 3-3, 3-5, 3-7, 3-9  
Screw, Hex, M8 X 1.25 X 16, 8.8, 2-11, 2-53, 2-59, 2-61  
Screw, Hex, M8 X 1.25 X 16, NI, Ss, 2-9, 2-51  
Screw, Hex, M8 X 1.25 X 16, Ss, 2-15, 2-17, 2-57  
Screw, Hex, M8 X 1.25 X 160, 8.8, 2-31  
Screw, Hex, M8 X 1.25 X 20, 8.8, 2-71  
Screw, Hex, M8 X 1.25 X 20, Fmg, 3-11, 3-13, 3-15, 3-17, 3-53, 3-55  
Screw, Hex, M8 X 1.25 X 20, NI, Ss, 2-37  
Screw, Hex, M8 X 1.25 X 20, Ss, 2-5, 2-36, 3-31, 3-35  
Screw, Hex, M8 X 1.25 X 20, Ss, Sems, 2-7, 2-25, 2-49, 2-71, 3-7, 3-9  
Screw, Hex, M8 X 1.25 X 25, 8.8, 2-5, 2-71, 3-33, 3-37  
Screw, Hex, M8 X 1.25 X 25, 9.8, Sems, 2-5, 2-9, 2-11, 2-13, 2-15, 2-17, 2-19, 2-23, 2-53, 2-57, 2-59, 2-61, 2-71, 3-3, 3-5, 3-7, 3-9, 3-15, 3-23, 3-31, 3-33, 3-35, 3-37, 3-49, 3-53, 3-55, 3-63  
Screw, Hex, M8 X 1.25 X 25, Ss, 2-43, 3-25  
Screw, Hex, M8 X 1.25 X 30, 8.8, 2-41, 2-61, 3-23  
Screw, Hex, M8 X 1.25 X 30, 9.8, Sems, 2-5, 2-19, 2-33, 2-35, 2-39, 2-45, 2-51, 2-57, 2-67, 3-11, 3-13, 3-33, 3-37  
Screw, Hex, M8 X 1.25 X 35, 8.8, 2-11, 2-13, 2-35, 3-23  
Screw, Hex, M8 X 1.25 X 35, 9.8, Sems, 2-25, 2-49, 2-51, 2-59, 3-17, 3-31  
Screw, Hex, M8 X 1.25 X 40, 8.8, 3-19  
Screw, Hex, M8 X 1.25 X 40, 8.8, FI, 2-55  
Screw, Hex, M8 X 1.25 X 40, Ss, 2-57  
Screw, Hex, M8 X 1.25 X 45, 10.9, 2-29  
Screw, Hex, M8 X 1.25 X 45, 8.8, 2-33  
Screw, Hex, M8 X 1.25 X 50, 8.8, 2-29  
Screw, Hex, M8 X 1.25 X 60, 8.8, 2-41, 2-49  
Screw, Hex, M8 X 1.25 X 80, 8.8, 2-29  
Screw, Pan, 06- X 0.38, F/ Plstc, 2-61  
Screw, Pan, 12- 16 X 0.50, F/ Plstc, 2-11, 2-13, 2-61, 3-39, 3-40  
Screw, Pan, Phl, .31- 18 X 1.50, G2, 2-13  
Screw, Pan, Phl, 06-32 X 1.00, G1, 2-45  
Screw, Pan, Phl, 08- 16 X 1.00, F/ Plstc, 2-51  
Screw, Pan, Phl, 08-32 X 0.38, G1, 2-45  
Screw, Pan, Phl, 10- 14 X 0.75, F/ Plstc, 2-59  
Screw, Pan, Phl, 10- 16 X 0.75, Fmg/Ab, 3-40  
Screw, Pan, Phl, 10-32 X 0.50, G2, Blk, 2-19  
Screw, Pan, Phl, 12- 16 X 0.50, F/ Plstc, 3-45  
Screw, Pan, Phl, M3 X 0.5 X 25, Blk, 2-19  
Screw, Pan, Phl, M4 X 0.70 X 10, Blk, 3-57  
Screw, Pan, Phl, M4 X 0.70 X 10, Ss, 2-61, 3-63  
Screw, Pan, Phl, M4 X 0.70 X 16, 4.8, 2-57, 3-15  
Screw, Pan, Phl, M4 X 0.70 X 16, Ss, 2-61  
Screw, Pan, Phl, M4 X 0.70 X 30, 4.8, 3-49  
Screw, Pan, Phl, M5 X 0.80 X 12, Ss, 2-19, 2-51, 2-53, 3-3, 3-5, 3-7, 3-9  
Screw, Pan, Phl, M5 X 0.80 X 16, 4.8, 3-3, 3-5, 3-7, 3-9  
Screw, Pan, Phl, M5 X 0.80 X 25, 4.8, 3-17, 3-45  
Screw, Pan, Phl, M6 X 1.00 X 10, Ss, 2-49  
Screw, Pan, Phl, M6 X 1.00 X 40, Ss, 3-23  
Screw, Pan, Phl, M6 X 1.00 X 60, Zn, 3-51  
Screw, Set, .25-20 X 0.31, NI, 2-39  
Screw, Set, Soc, .25-20 X 0.75, Al, 2-47  
Screw, Set, Soc, 10-24 X 0.38, Al, 2-61  
Screw, Set, Soc, M5 X 0.80 X 8, PI [45h], 2-23  
Screw, Soc, .25-20 X 1.00, Al, 2-39  
Screw, Soc, M8 X 1.25 X 25, 12.9, 2-23  
Screw, Soc, M8 X 1.25 X 70, 12.9, 2-27  
Seal, 1-1, 2-5, 2-7, 2-9, 2-57, 4-7  
Seal Assy, Pre-Filter, 2-59  
Seal Kit, 4-6  
Seal Kit, Cartridge, 4-10, 4-11, 4-12  
Seal Kit, Cyl, Hyd, 2-49  
Seal Kit, Hsng, 4-9, 4-10, 4-11  
Seal Kit, Motor, 2-31  
Seal Kit, Motor [CI], 2-43, 3-25  
Seal Kit, Motor A/H- Stnd, 4-3  
Seal Kit, Pump, Hyd, 2-39  
Seal Kit, Valve, Hyd, 4-9, 4-10, 4-11, 4-12  
Seal Kit, Vlv, 4-5  
Seal, .19, .25w 39.2l, Adh, 3-15  
Seal, Afmkt, Bulb, 90, 1.33 01ft, 2-11, 2-13  
Seal, Afmkt, Bulb, Str, .75d F/07ga 08ft, 3-15  
Seal, Afmkt, Bulb, Str, 0.50h .50w 1ft, 3-63  
Seal, Afmkt, Bulb, Str, 0.50h .50w 3ft, 3-63  
Seal, Afmkt, Bulb, Str, 0.58D 08Ft, 3-17  
Seal, Bulb, 90, 0.50d .06- .09grip 022.5l, 2-11, 2-13  
Seal, Bulb, Str, 0.50d .13grip 009.4l, 2-7  
Seal, Cleanout Door, 2-61  
Seal, Cover, 2-49  
Seal, Door, Access, 2-51  
Seal, Door, Dump, Side, 1-1  
Seal, Firewall, 2-5  
Seal, Foam, 2-59  
Seal, Hppr, .06 12.5w 36.6l Neo, 1-1, 2-5  
Seal, Inlet, Vacuum, 1-1, 2-45  
Seal, Lip [76038ddur], 3-15  
Seal, Org, 2-29  
Seal, Org, .078 X 00.47id 06, 4-10  
Seal, Org, .139 X 02.98id, 2-29  
Seal, Rbr, .13 6.34w 36.3l, 12/.28h, Red, 1-1, 2-57  
Seal, Rbr, 0.06, Tube, Vacuum Wand, 3-39  
Seal, Rbr, Clsd, 0.13, Door, Dump, Side, 2-57  
Seal, Rbr, Clsd, 0.38, Instmt Panl, 2-19  
Seal, Rbr, Damper, 0.06th, 04.1d, 2-45  
Seal, Rbr, Open, 0.38, 1.25w 25.5l, 2-7  
Seal, Top, Lh, Sbdc, 3-31, 3-33, 3-35, 3-37  
Seal, Top, Sbdc, 3-31, 3-33, 3-35, 3-37  
Seal, Ure, 0.50, 0.75w 04.0l Adh, 2-47  
Seat Kit, Dlx, Ci [S20], 3-19  
Seat Kit, Replacement [S20], 2-11  
Seat, Std [Milsco], 2-13  
Seat, Suspension [Grammer Gs12], 3-19  
Seatbelt Kit, Ci [6400], 3-20  
Seatbelt, 60.0l, 3-19, 3-20  
Sensor, Level, Liq, 14vdc 01a .62- 11, 3-49  
Sensor, Thermal, 140deg, No, Spst, 2-61  
Shaft, 2-37  
Shaft Assy, Brg, 2-47  
Shaft Wldt, Brush, 2-25  
Shaft, Idler, Plug, Brush, 2-37  
Shaft, Impeller, 2-47

Shaft, Output, 4-3  
 Shaft, Pivot, Arm, Brush Drive, 2-37  
 Shaft, Pivot, Steering, 2-27  
 Sheave, 01grv, 01.9pd 0.62b [07m], 2-47  
 Sheave, 01grv, 04.7pd 0.97b [3v], 2-37  
 Sheave, 02grv, 05.6/2.9pd 2.0b [3v], 2-37  
 Sheave, 02grv, 06.5/3.7pd 1.50b [3v], 2-39  
 Sheave, Flat, 3.0d 0.75w 0.67brg, 2-37  
 Sheave, Step [3V/7M.877], 2-39  
 Shoe, Brake, 180 X 30mm, 2-25  
 Shroud, Rear [S20], 2-11, 2-13  
 Shroud, Rear, Trimmed, 2-11  
 Shunt, 050mv 250a, 3-45  
 Skirt, Brush, Side, Sbdc, 3-31, 3-35  
 Skirt, Brush, Side, Sbdc [W/O Lhsb], 3-31  
 Skirt, Front, Rh, Sbdc, Rpd [S20], 3-33, 3-37  
 Skirt, Front, Single Sbdc, Rpd [S20], 3-33, 3-37  
 Skirt, Neo, .12 2ply, Dust-Cntrl, 1-1, 2-51  
 Skirt, Neo, .12, 05.20w 36.10l, 06/ Sl, 2-51  
 Skirt, Neo, .12, 12.26w 14.50l, 07/ Sl, 1-1, 2-5  
 Skirt, Sbdc, Sba, Lh, 3-35  
 Sleeve, 0.32b 0.50d 0.3l, 2cham, Ss, 2-41, 2-43, 3-23, 3-25  
 Sleeve, Nyl, 1.22id 35.0l, 2-21, 2-27  
 Sleeve, Nyl, 1.63id 25.0l, 2-43, 3-25  
 Sleeve, P/M, 0.25b 0.44d 0.2l, Pl, 2-45  
 Sleeve, P/M, 0.32b 0.50d 0.3l [430ss], 2-11, 2-13, 3-45  
 Sleeve, P/M, 0.32b 0.50d 0.5l [430ss], 2-35, 2-41, 3-23  
 Sleeve, P/M, 0.34b 0.63d 0.4l, Ss / Oil, 2-13, 2-33, 2-35  
 Sleeve, P/M, 1.25b 1.75d 0.7l [430ss], 2-49  
 Snap-Ring, 4-7, 4-8  
 Solenoid Assy, Pull, 36vdc, 2-45  
 Solenoid Kit, 36vdc, Replmt [Thrmsentry], 2-45  
 Solenoid, #10, 36vdc, 4-9, 4-10  
 Solenoid, #8, 36vdc, 4-10  
 Solenoid, 12vdc, Hyd [Sz08], 4-12  
 Solenoid, 12vdc, Hyd [Sz10], 4-11, 4-12  
 Solenoid, Cntrl, 4-10  
 Spacer, 2-27, 2-35, 4-5, 4-6  
 Spacer Plate, 4-3  
 Spacer, 0.56b 0.88d 1.82l, Pl, 2-57  
 Spacer, Fltr, 2-59  
 Spacer, Plstc, 0.41b 2.25d 1.30l, Nyl, 2-23  
 Spacer, Plywood, 3-43  
 Spindle, Adjustment, 2-11, 2-13  
 Spring, 4-5  
 Spring Kit, 4-6  
 Spring, Cmpr, 0.60od .07wir 00.8l, 2-9  
 Spring, Cmpr, 0.72od .06wir 02.3l, 2-21  
 Spring, Dsl, 1.00od 0.50id 1.25l, 2-43, 3-25  
 Spring, Dsl, 1.25od 0.62id 1.80l, 2-43, 3-25  
 Spring, Extn, 2-35  
 Spring, Extn, 0.38od 0.05wir 02.5l, 2-68

Spring, Extn, 0.75od 0.11wir 04.5l, 2-43, 3-25  
 Spring, Extn, 0.96od 0.05wir 01.4l, 2-45  
 Spring, Extn, 1.25od 0.15wir 06.0l, 2-47  
 Spring, Flat, .06, 0.75w X 01.8l, 2/.28h, 2-15  
 Spring, Flat, .06, 0.75w X 07.8l, 2-23  
 Spring, Tens, 2-57  
 Spring, Tors, 0.81id .12wir 08.0coil, 2-15  
 Spring, Tors, 1.03id .11wir 03.0coil, 2-41  
 Spring, Wir, 0.08d, Parking Brake, 2-25  
 Spring, Wir, 0.25d, Brake Return, 2-25  
 Stand-Off, Wir, M6, Insulator, Panel, 2-71  
 Steer-Control, Hyd04, 07.3 0600 (See Breakdowns), 2-21  
 Strainer, Hyd, 010gpm 100mesh, 1-1, 2-67  
 Strainrelief, 2-59  
 Strap Wldt, Tank, Hyd, 2-67  
 Strap, Rbr, 2-61, 3-63  
 Strap, Rbr, Tie-Down, 19.0l, 2/ Hook, 3-51  
 Strap, Static, W/Grommet, .19 1.1w 25.0l, 2-5  
 Strip Wldt, Seal, Door, 2-57  
 Strip, Rbr, Short, 3-63  
 Strip, Retainer, 2-57  
 Strip, Retainer, Dump Door, 2-57  
 Strip, Retainer, Flap, 2-5  
 Strip, Retainer, Front, Sbdc, 3-33, 3-37  
 Strip, Retainer, Hppr Lip, 2-51  
 Strip, Retainer, Skirt, Sbdc, 3-33, 3-37  
 Stud, M8 X 1.25 [55.0], 2-61  
 Stud, Spcl, 2-37  
 Support Wldt, Rh, Sbdc, 3-31, 3-35  
 Support Wldt, Lh, Sbdc, 3-35  
 Support, Hppr, Lip, Back, 2-55  
 Support, Hppr, Lip, Front, 2-55  
 Support, Hppr, Lip, Side, 2-55  
 Switch Assy, Press, No/Nc 0040Psi, 2-67  
 Switch, Ignition [Ku], 2-19  
 Switch, Press, 2-57  
 Switch, Push, Spst, No, 2-45  
 Switch, Rocker, 3 Position, 2-19  
 Switch, Rocker, Spst, Round, 3-57  
 Switch, Safety, Shutoff, 2-19  
 Switch, Seat, 3-19  
 Switch, Seat, No [Delta 6440-04], 2-11, 2-13  
 Switch, Snap, 15a No, 2-25  
 Switch, Snap, 15a No, Rlr, 2-57  
 Switch, Snap, 25a Spdt, 2-19  
 Switch, Temp, Sealed, Nc, 2-61

**T**

Taillight, 12vdc, Led, 3.6 X 1.9, 2-5  
 Tank, Detgt, Trimmed [S20], 3-49  
 Tape, Hook, 1.0w [Velcro], 3-15, 3-17  
 Terminal, Fem, Mp280, Sealed, 18-16ga, 3-57  
 Terminal, Qf, .25 16-14ga, Blu, F-Ins, 3-3, 3-5, 3-7, 3-9  
 Throttle, Electronic, 0000/5000 Ohm, 2-23

Thrust Bearing, 4-3  
 Tie, Cable, Nyl, 07.3l .19w 1.8 Max D, 2-43, 2-51, 2-71, 3-25, 3-45  
 Tie, Cable, Nyl, 11.4l .19w 3.0 Max D, 2-19, 2-21, 2-27  
 Tie, Cable, Nyl, 14.5l .30w 4.0 Max D, 2-5, 3-46, 3-47  
 Timer, 36vdc, 10a [Left Hand Side Brush], 3-23  
 Tire Assy, Idler, 16.0 X 3.5, Rubber, 2-25  
 Tire Assy, Solid, 12.0 X 5.5, Blk, 2-31  
 Tire, Drive, Swpr, Blk, 16.0x4.0, 2-29  
 Tire, Drive, Swpr, Grey, 16.0x4.0 (Optional non-Marking), 2-29  
 Track, Slide, Seat Adj, 12.5l, 2-11, 2-13  
 Track, Slide, Seat Adj, 12.5l, W/ Latch, 2-11, 2-13  
 Tray Wldt, Dust [Cyclone], 2-59  
 Tray, Dust, Shagr, 2-59  
 Tray, Mold, 2-59  
 Tread, Non-Skid, 01.4w 12.0l, 2-23  
 Tread, Non-Skid, 02.2w 15.5l, 2-23  
 Tread, Non-Skid, 06.5w 20.6l, 2-23  
 Tube Wldt, Torque, 2-36  
 Tube, 0.33id 0.51od 00.8l, Stl, Pl, 3-23  
 Tube, 0.34id 0.62od 00.2l, Stl, 2-25  
 Tube, 0.38id 0.75od 00.9l, Stl, 2-57  
 Tube, 0.38id 0.81od 00.4l, Stl, 2-47  
 Tube, 0.42id 0.62od 01.0l, Stl, Pl, 2-41  
 Tube, 0.77id 1.13od 00.6l, Stl, Pl, 2-27  
 Tube, Transition, Valve, Ev, 2-45

**V**

Valve, Check, 4-9, 4-10, 4-11, 4-12  
 Valve, Check, 0005psi Bm06/Bm06, 3-53, 3-55  
 Valve, Cntrl, Logic, 4-9, 4-10, 4-11  
 Valve, Hyd Control Man, 4-5  
 Valve, Hyd, Mnl, 2spool 0100psi 10gpm (See Breakdowns), 2-68  
 Valve, Hyd, Solenoid, 36vdc, 4-9, 4-10  
 Valve, Hyd, Solenoid, 36Vdc (See Breakdowns), 2-69, 3-27  
 Valve, Hyd, Solenoid, 36vdc [1045994], 4-12  
 Valve, Hyd, Solenoid, 36vdc [1046688], 4-11  
 Valve, Hydraulic Steering 07.3 0600, 4-6  
 Valve, Relief, 4-9, 4-10, 4-12  
 Valve, Shutoff, Bm04/Bm04, Pvc, 3-49  
 Valve, Stem, Hyd, 4-9, 4-10, 4-12  
 Valve, Stem, No, 4-11, 4-12  
 Video, Oprtr, Dvd [S20 En, Es, Fr], 3-64

**W**

Wand Kit, Vacuum, Ci [S20], 3-39  
 Wand, Vacuum, W/ Label, JP [S20], 3-39  
 Wand, Vacuum, W/ Label, Na [S20], 3-39  
 Washer, 4-5

## CROSS REFERENCE

Washer Flat, 0.50, Sae, 2-15, 2-23, 2-25, 2-43, 2-57, 3-3, 3-5, 3-7, 3-9, 3-11, 3-13, 3-25  
Washer, Flat, 0.20b 0.50d .06, Alm, Blind, 2-57  
Washer, Flat, 0.25, Fendr, 2-57, 3-17  
Washer, Flat, 0.25, Sae, 2-23, 2-45, 2-71, 3-3, 3-5, 3-7, 3-9, 3-23, 3-45, 3-51, 3-61  
Washer, Flat, 0.25, Std, 2-11, 2-13, 2-23, 2-45, 2-51, 2-57, 2-67, 2-71, 3-19, 3-23, 3-31, 3-35, 3-39  
Washer, Flat, 0.25b 0.56d .05, Pl, 10, 3-49  
Washer, Flat, 0.25b 1.12d .12, Ss, 3-51  
Washer, Flat, 0.31, Fendr, 2-5, 2-9, 2-49, 2-51, 2-59, 3-17, 3-31, 3-33, 3-35, 3-37  
Washer, Flat, 0.31, Sae, 2-7, 2-9  
Washer, Flat, 0.31, Std, 2-5, 2-11, 2-13, 2-15, 2-17, 2-25, 2-33, 2-35, 2-37, 2-41, 2-51, 2-53, 2-55, 2-57, 2-59, 2-61, 2-68, 3-3, 3-5, 3-7, 3-9, 3-11, 3-13, 3-23, 3-49  
Washer, Flat, 0.31b 0.88d .12, Rbr, 2-68  
Washer, Flat, 0.32b 1.00d .12, Ss, 2-61  
Washer, Flat, 0.34b 0.69d .06, Nyl, 2-15  
Washer, Flat, 0.38, Sae, 2-23, 2-37, 2-39, 2-67, 3-17  
Washer, Flat, 0.38, Std, 2-35, 2-39, 2-41, 2-43, 2-47, 2-49, 2-51, 2-57, 2-59, 2-69, 3-25, 3-27, 3-43  
Washer, Flat, 0.38b 0.88d .08, Ss, 2-43, 3-25  
Washer, Flat, 0.39b 0.75d .06, Nyl, 2-23  
Washer, Flat, 0.40b 1.12d .12, Ss, 2-51, 2-57  
Washer, Flat, 0.44, Std, 2-41  
Washer, Flat, 0.53b 1.75d .12, Stl, Pl, 2-37  
Washer, Flat, 0.62, Sae, 2-43, 3-25  
Washer, Flat, 0.75, Sae, 2-27, 2-37  
Washer, Flat, 0.76b 1.50d .06, Ss, 2-25  
Washer, Flat, 08, 2-45  
Washer, Flat, 1.02b 1.75d .12, Stl, 2-49  
Washer, Flat, 10, 2-19, 2-25, 2-51, 2-59, 3-3, 3-5, 3-7, 3-9  
Washer, Flat, Belleville, .31, 3-17  
Washer, Flat, Belleville, .38, 2-39  
Washer, Flat, Belleville, .50, 2-49  
Washer, Flat, M21.0b X 37d X 3, 2-25  
Washer, Lock, Int-Ext, 0.25, 2-59  
Washer, Lock, Int-Ext, 0.31, 2-5  
Washer, Lock, Int, 0.25, 2-71  
Washer, Lock, Int, 0.31, 2-29, 2-31, 2-45, 2-71  
Washer, Lock, Int, 0.38, 3-45  
Washer, Lock, Int, 04, 2-19  
Washer, Lock, Int, 10, 2-5, 3-45  
Washer, Lock, Int, 10, Ss, 2-45, 2-61  
Washer, Sealing, M8, 2-33  
Washer, Thrust, 0.53b 1.00d 0.03w[Fbrgl], 2-43, 3-25  
Washer, Thrust, 0.61b 1.25d .06, Fgl, 2-43, 3-25  
Washer, Wavy, 0.53b 0.81d .09, 2-37  
Wavy Washer, 4-7, 4-8  
Weight, Eccentric, Pntd, 2-61  
Wheel, Steering, 14.0D 0.81B 36Tooth, 2-21