



Electronic Service Manuals

This electronic document is provided as a service to our customers. We do not create the contents of the information contained in this document. Should you have detailed questions pertaining to the information contained in this document, you may contact Michco, or the manufacturer which provided the original information in this electronic deliverable. Michco's only part in this electronic deliverable was the electronic assembly process. By providing this manual on line we are not guaranteeing parts availability.

You may contact Michco through the following methods:

Phone (517) 484-9312 or (800) 331-3339

2011 N. High St. -- Lansing, Michigan -- 48906

Fax: (517) 484-9836

Email: CustServe@Michco.com

Web site: www.Michco.Com

Parts Web site: www.FloorMachineParts.Com

Order Parts on Line at:

www.FloorMachineParts.Com

Directly to Parts & Service:

By Email: **Shop@Michco.com**

By Fax: (517) 702-2041

By Voice: Use numbers above.

Serving the Cleaning Industry Since 1922

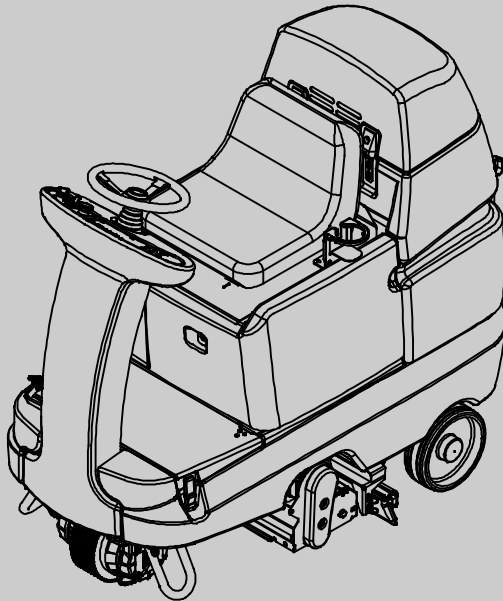
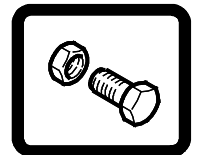
Notice: All copyrighted material remains property of original owners, all trademarks are property of respective owners. Manuals are subject to Manufacturer's reproduction limitations. Originals or reproductions were provided by manufacturers through a request. We make no warranty as to the correctness of information provided in this document and you assume all risk. By placing these manuals on line we are not declaring our corporation to be an manufacturer authorized dealer or provider, please check our web site for authorized manufacturers we represent.



R14

Dual Technology Rider Carpet Cleaner

Parts Manual



READY SPACE®

More than clean, it's ReadySpace.®

Hygenic® Fully Cleanable Tanks



For the latest Parts manuals and other language Operator manuals, visit:

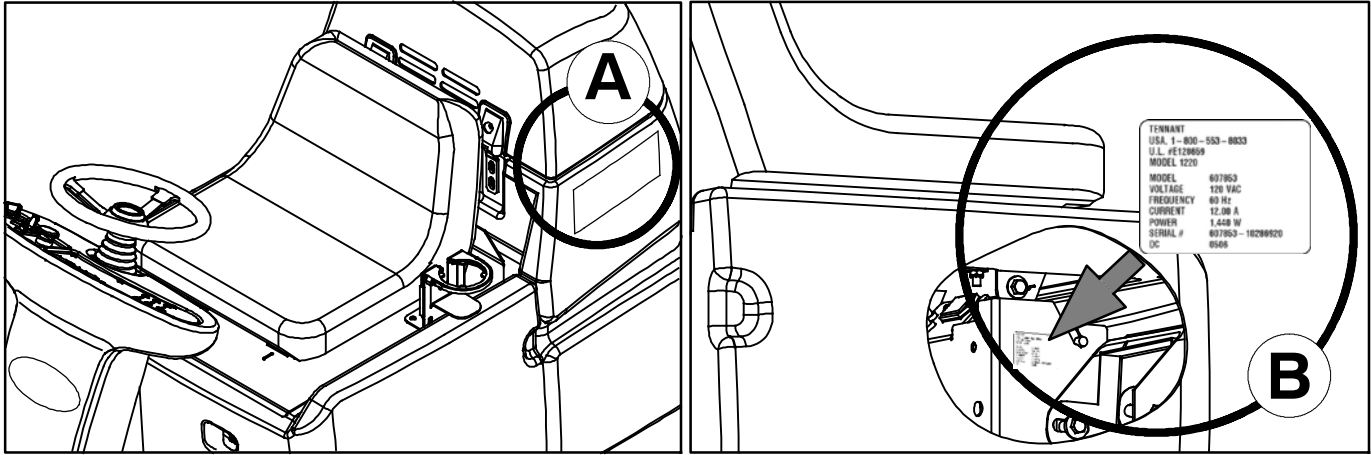
www.tennantco.com/manuals

North America

www.tennantco.com

1032125
Rev. 07 (10-2014)





Ref	Part No.	Serial Number	Description	Qty.
1	82681	(000000-)	Bracket Wldt, Lpg Mount	1
▽ 2	63810	(000000-)	Latch Assy, Lpg Tank Mtg, W/Nut	4
▲ 3	51839	(000000-)	Nut Adjustable, Lpg Tank Mtg	2
4	49263	(000000-)	Tie, Cable	3
(D)	82556	(000000- 001039)	Bracket, Vaporizer	1
	54930	(000000-)	Vaporizer, LPG	1

HOW TO ORDER PARTS - See diagram above

Only use TENNANT Company supplied or equivalent parts. Parts and supplies may be ordered online, by phone, by fax or by mail.

Follow the steps below to ensure prompt delivery.

1. **(A)** Identify the machine model.
2. **(B)** Identify the machine serial number from the data label.
3. **(C)** Ensure the proper serial number is used from the parts list.
4. Identify the part number and quantity.
Do not order by page or reference numbers.
5. Provide your name, company name, customer ID number, billing and shipping address, phone number and purchase order number.
6. Provide detail shipping instructions.

- (D)** ▽ - identifies an assembly
 ▲ - identifies parts included in assembly

Please fill out at time of installation for future reference.

Model No. - _____

Serial No. - _____

Machine Options - _____

Sales Rep. - _____

Sales Rep. phone no. - _____

Customer ID Number - _____

Installation Date - _____

Tennant Company

PO Box 1452
 Minneapolis, MN 55440
 Phone: (800) 553- 8033 or (763) 513- 2850

www.tennantco.com

FaST-PAK is a US registered and unregistered trademark of Tennant Company.

Specifications and parts are subject to change without notice.

Copyright © 2006- 2014 TENNANT Company, Printed in U.S.A.

STANDARD PARTS

<hr/>		ELECTRICAL WIRE HARNESS GROUP - SECTION 3 OF 5 (S/N 10389602-)	58
GENERAL RECOMMENDED MAINTENANCE ITEMS	5	ELECTRICAL WIRE HARNESS GROUP - SECTION 3 OF 5 (S/N 00000000- 10389601)	59
REPLACEMENT ROLLERS AND BRUSHES GROUP	7	ELECTRICAL WIRE HARNESS GROUP - SECTION 4 OF 5	60
MAIN FRAME GROUP	8	ELECTRICAL WIRE HARNESS GROUP - SECTION 5 OF 5	61
SEAT GROUP	10	OPTIONS	
STEERING GROUP	12	HYDROLINK® BATTERY WATERING SYSTEM KIT	62
INSTRUMENT PANEL GROUP	14	BATTERY CHARGER GROUP	63
FRONT DRIVE WHEEL GROUP	16	FLASHING LIGHT KIT	64
BRAKE PEDAL AND ACCELERATOR PEDAL GROUP (S/N 10644406-)	18	BASKET KIT	65
BRAKE PEDAL AND ACCELERATOR PEDAL GROUP (S/N 10508137- 10644405)	20	WAND GROUP, LOW PRESSURE 13 in / 330 mm	66
BRAKE PEDAL AND ACCELERATOR PEDAL GROUP (S/N 00000000- 10508136)	22	WAND GROUP, LOW PRESSURE 16 in / 406 mm	68
RECOVERY TANK GROUP	24	HAND TOOL, 5 in / 127 mm	70
VACUUM FAN GROUP	26	HAND TOOL, CREVICE 3 in / 76 mm	71
SOLUTION TANK GROUP	28	HAND TOOL, UPHOLSTERY, LOW PRESSURE	72
TANKS DRAIN GROUP	30	HOSES, SOLUTION AND VACUUM GROUP	73
CIRCUIT BOARD GROUP	32	SPRAYER GROUP	74
ELECTRICAL GROUP	34	DOCUMENTATION GROUP	74
VACUUM FLOOR TOOL GROUP	36	BREAKDOWNS	
SCRUB HEAD GROUP	38	STEERING CONTROL BREAKDOWN, 1019724	75
SCRUB HEAD GROUP - CONT'D	40	FRONT DRIVE WHEEL GEARBOX BREAKDOWN, 9003021	76
SCRUB HEAD LIFT GROUP	42	PUMP BREAKDOWN, 1022343	78
VACUUM SHOE AND SOLUTION FLUSH LINE GROUP	44		
SOLUTION GROUP	46		
SOLUTION GROUP - CONT'D	48		
BATTERY GROUP, 360 Ah	50		
LABEL GROUP	52		
ELECTRICAL DIAGRAM	54		
ELECTRICAL WIRE HARNESS GROUP - SECTION 1 OF 5	56		
ELECTRICAL WIRE HARNESS GROUP - SECTION 2 OF 5	57		

TABLE OF CONTENTS

GENERAL RECOMMENDED MAINTENANCE

GENERAL RECOMMENDED MAINTENANCE ITEMS

Part No.	Serial Number	Description	Qty.
	1020798 (00000000-) Roller Assy, Soil Transfer, 700mm	2
	1021342 (00000000-) Brush, Scb, 700mm, 10sr, Nyl, Spl	2
	1038560 (00000000-) Tire Assy, Solid, 250mmx80mm, 25mm Id	2
▽	1011402 (10403819-) Switch, Key	1
▲	1017696 (10403819-) Key Set, Replmt [F/ Keyswitch 1011402]	1
▽	9004968 (00000000- 10403818) Switch Kit, Key, [T7/Ssr/R14/Strv Rdr]	1
▲	361144 (00000000- 10403818) Key, Ignition [Set Of 2] (For Key Switch 1016789)	1
	1020301 (00000000-) Seal, Afmkt, Bulb, Clsd Cell, Adh, 08ft	1
	1037821 (00000000-) Filter, Panl, Dust, 2.3 X 04.5 X 06.4	1
	1016392 (00000000-) Gasket, 05.31 X 03.74 X .50, Ure, Adh	1
▽	1013432 (00000000-) Fan, Vacuum, 5.7d 3stage 024vdc [Bpp]	2
▲	372883 (00000000-) Vr, Brush Kit, Motor, Ele	2
▲	398511 (00000000-) Vr, Housing	2
	1011140 (00000000-) Seal, Fan	2
	9002910 (00000000-) Seal, Bulb, Str, 0.5h 0.5w 2.014m, Afmkt	1
	1025538 (00000000-) Gasket, Adapter	1
	1011885 (00000000-) Cap, Tank	4
	49800 (00000000-) Latch	2
	1020727 (00000000-) Seal, Afmkt, Bulb, Clsd Cell, Adh, 08ft	2
	1020719 (00000000-) Seal, Afmkt, Bulb, Clsd Cell, Adh, 08ft	5
▽	1014274 (00000000-) Hose Assy, Drain, 1.5d X 27.8l, Blk, 2id	1
▲▽	1008639 (00000000-) Cap, Drain Assy	1
▲▲	1019563 (00000000-) Strap, Cap, Drain	1
▲▲	1008637 (00000000-) Seal, Org, 1.48id 1.76od	1
▽	1014268 (00000000-) Hose Assy, Drain, 1.5d X 27.0l, Blk	1
▲▽	1008639 (00000000-) Cap, Drain Assy	1
▲▲	1019563 (00000000-) Strap, Cap, Drain	1
▲▲	1008637 (00000000-) Seal, Org, 1.48id 1.76od	1
	1025430 (00000000-) Gasket, Cover, Floor Tool	2
▽	1068557 (10583279-) Motor Kit, Ele, 24vdc 0270rpm 0.50hp	2
▲	1066574 (10583279-) Vr, Brush Kit, Motor	2
▽	1023355 (00000000- 10583278) Motor, Ele, 24vdc 0.50hp 0270rpm 20.0a (Replaced By 1068557)	2
▲	1034117 (00000000- 10583278) Brush, Carbon, Motor, Ele	2
	1033039 (00000000-) Gasket, Motor, Brush, W/ Hdpe	2
	575281000 (00000000-) Fitting, Spray, Body [Quick- Jet]	2
	575276000 (00000000-) Fitting, Gasket [Quick- Jet]	2
	575283000 (00000000-) Fitting, Brs, Tip [11002, T- Jet]	2
	575282000 (00000000-) Fitting, Cap [Q- Jet]	2

▽ ASSEMBLY

▲ INCLUDED IN ASSEMBLY

GENERAL RECOMMENDED MAINTENANCE

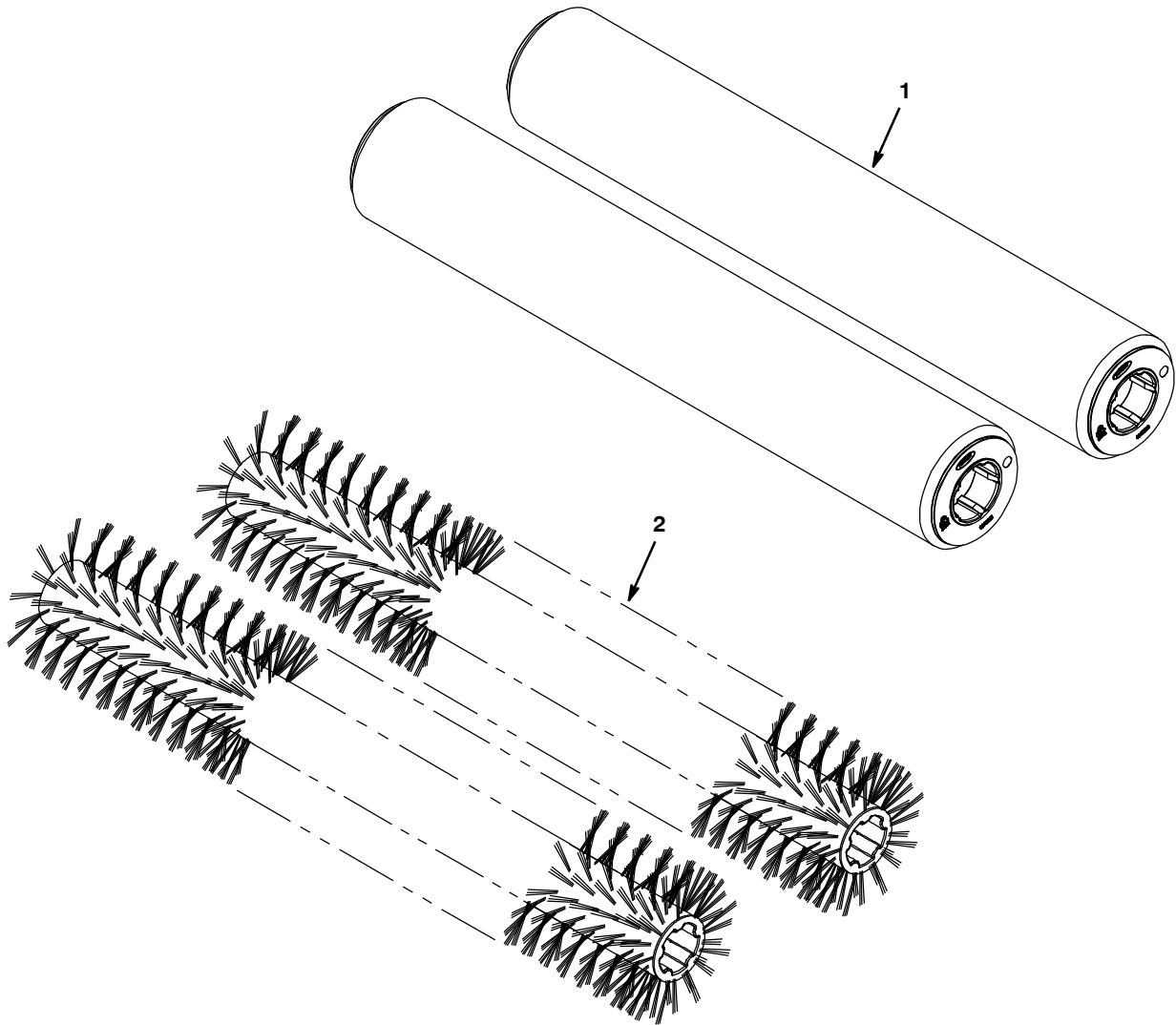
GENERAL RECOMMENDED MAINTENANCE ITEMS

Part No.	Serial Number	Description	Qty.	
377500	(00000000-) Belt, Synchronous, 05mm 500l[05p,Plychn]	2	
41360	(00000000-) Bearing, Ball, 0.59b 1.26d 0.35w[2seal]	4	
1008675	(00000000-) Gasket, Edge, Foam, 24.00l [Fr]	2	
1023890	(00000000-) Tool, Vacuum, Str Rlr [Finish Mach'D]	2	
1021110	(00000000-) Gasket, Cover, Str Roll Vacuum Tool	2	
▽	9002902	(00000000-) Hose Assy, Lh, Afmkt [Gator]	1
▲	1017902	(00000000-) Seal, Org, .070 X 00.24id, 75d [Viton]	2
▲	1017841	(00000000-) Fitting, Brs, Tip, Spcl [2505 H1/8vv]	2
▲	1017902	(00000000-) Seal, Org, .070 X 00.24id, 75d [Viton]	2
	1022343	(00000000-) Pump, Water, 24vdc, 2.0gpm 250psi	1
▽	1007428	(00000000-) Filter, Screen, 080 Mesh, Ss Bowl, Pf06	1
▲	180632	(00000000-) Filter, Screen, In-Line Strainer	1
	1006924	(00000000-) Filter, Soltn, W/ E90 Ftg	1
	575281000	(00000000-) Fitting, Spray, Body [Quick- Jet]	4
	575276000	(00000000-) Fitting, Gasket [Quick- Jet]	4
	575283000	(00000000-) Fitting, Brs, Tip [11002, T- Jet]	2
	575282000	(00000000-) Fitting, Cap [Q- Jet]	2
	575603	(00000000-) Filter, Screen, 024 Mesh, Check Valve	2
	1022378	(00000000-) Fitting, Brs, Tip [11006e, Unijet]	2
	1022715	(00000000-) Cap, White [Quick- Jet]	2
	611221	(00000000-) Boot, Terminal, Battery, 25.4mm, Blk	8
	12694	(00000000-) Fitting, Plstc, Str, Bm24/Bm24	1

▽ ASSEMBLY

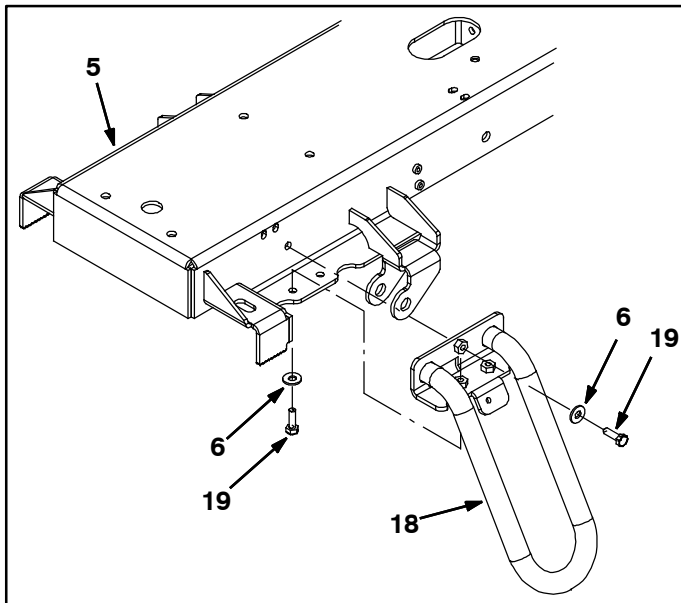
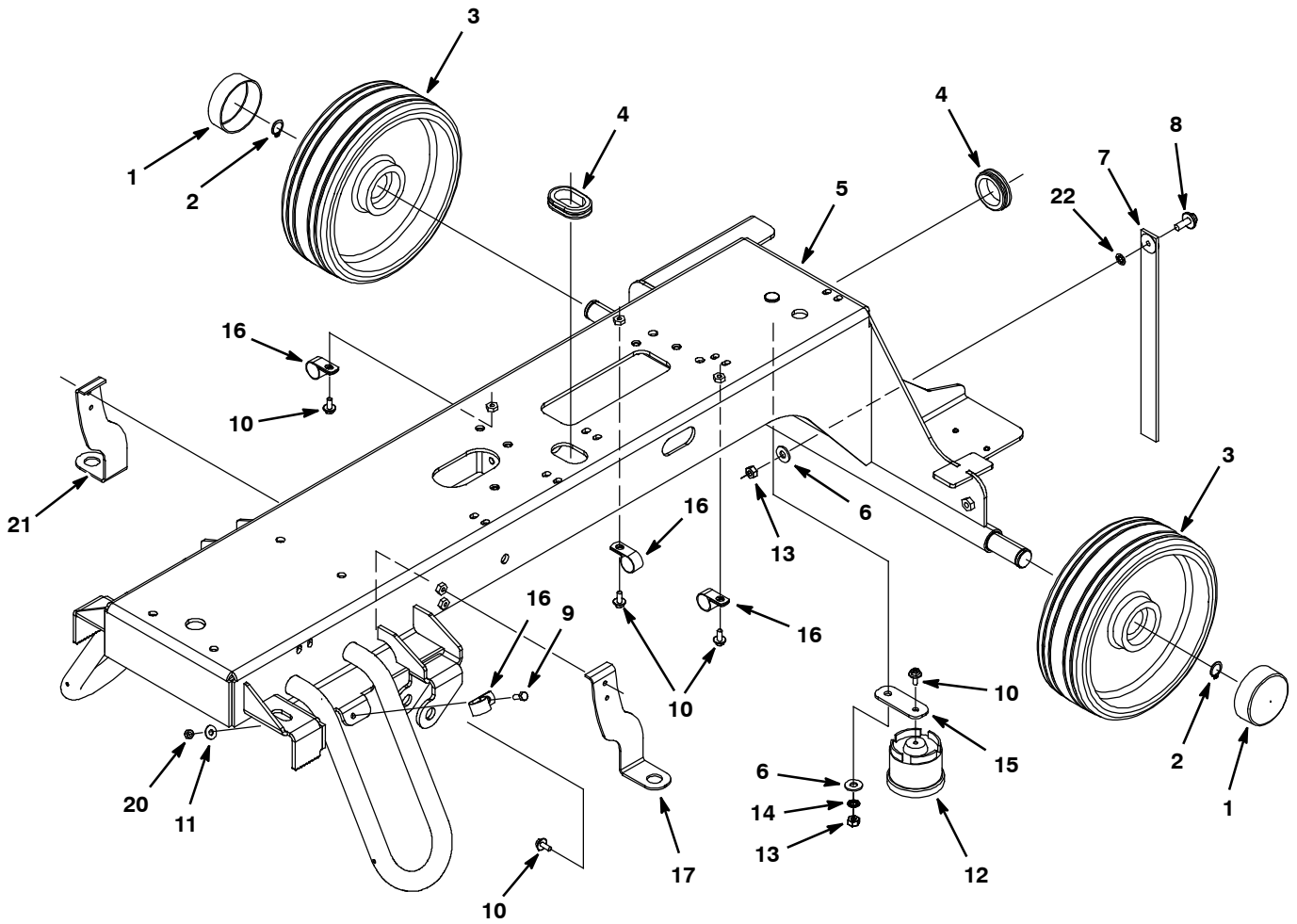
▲ INCLUDED IN ASSEMBLY

REPLACEMENT ROLLERS AND BRUSHES GROUP



Ref.	Part No.	Serial Number	Description	Qty.
1	1020798	(00000000-) Roller Assy, Soil Transfer, 700mm	2
2	1021342	(00000000-) Brush, Scb, 700mm, 10sr, Nyl, Spl	2

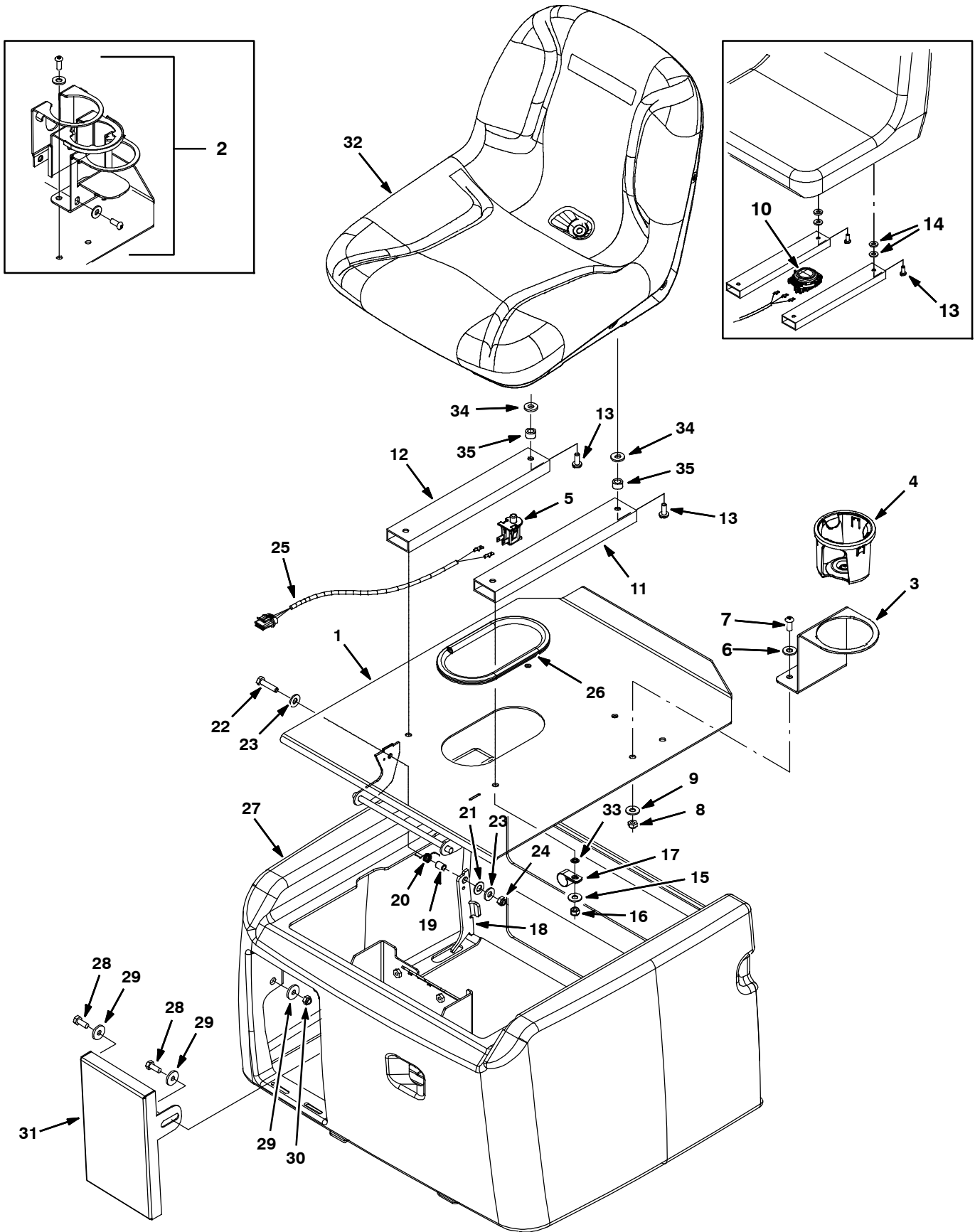
MAIN FRAME GROUP



MAIN FRAME GROUP

Ref.	Part No.	Serial Number	Description	Qty.
1	1016957	(00000000-) Cap, Vyl, 70mmid X 25mml	2
2	09005	(00000000-) Ring, Retaining, Ext, 1.00d, Basic	2
3	1038560	(00000000-) Tire Assy, Solid, 250mmx80mm, 25mm Id	2
4	10632- 13	(00000000-) Grommet, Rbr, 1.50id, F/1.8h, .19 Matl	2
5	1054035	(10448499-) Frame Wldt, Main [R14, T7 Cyl]	1
5	1023551	(00000000- 10448498) Frame, Wldt (Replaced By 1054035)	1
6	01685	(10448499-) Washer, Flat, 0.31, Ss	2
6	01685	(00000000- 10448498) Washer, Flat, 0.31, Ss	9
7	1014318	(00000000-) Strap, Static, 10.3l [Afmkt]	1
8	1072628	(00000000-) Screw, Hex, M8 X 1.25 X 25, Ss, Sems	1
9	08716	(00000000-) Screw, Hex, M6 X 1.0 X 20, Ss	1
10	1034731	(00000000-) Screw, Hex, M6 X 1.00 X 16, Sems, Ss	8
11	01684	(00000000-) Washer, Flat, 0.25, Ss	1
12	1018505	(00000000-) Horn, 12- 48vdc	1
13	08713	(00000000-) Nut, Hex, Lock, M8 X 1.25, NI, Ss	2
14	43952	(00000000-) Washer, Lock, Int, 0.31, Ss	1
15	1025354	(00000000-) Plate, Mtg, Horn	1
16	40678- 1	(00000000-) Clamp, Cable, Stl, 0.88d X 0.62w, 1hole	4
17	1025383	(00000000-) Bracket, Jet, Spray, Lh	1
18	1025473	(00000000- 10448498) Stabilizer Wldt (Replaced By 1054035)	2
19	09740	(00000000- 10448498) Screw, Hex, M8 X 1.25 X 20, Ss	6
20	08712	(00000000-) Nut, Hex, Lock, M6 X 1.00, Ss, NI	1
21	1025389	(00000000-) Bracket, Jet, Spray, Rh	1
22	41141	(00000000-) Washer, Lock, Int- Ext, 0.31	1

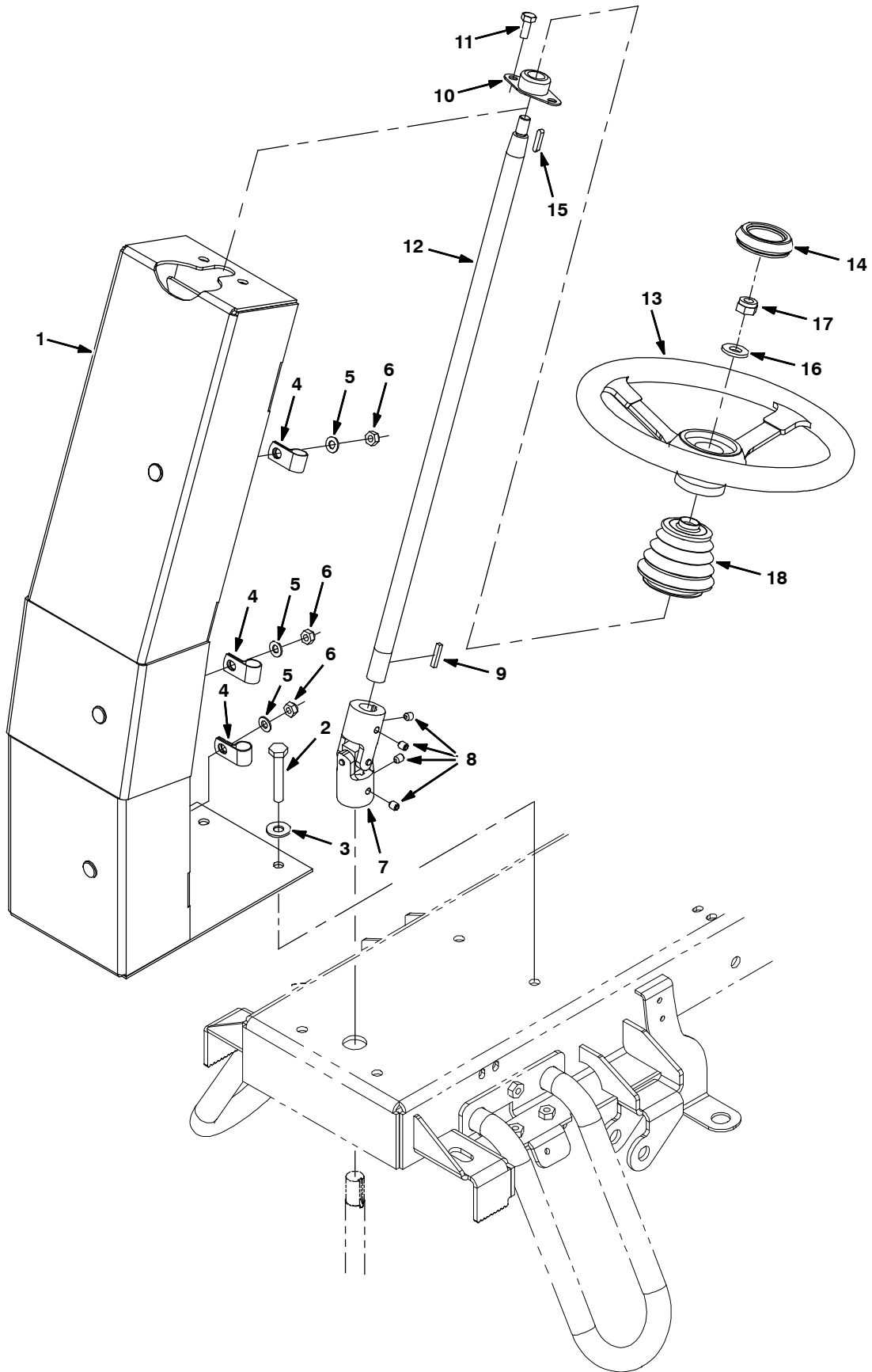
SEAT GROUP



SEAT GROUP

Ref.	Part No.	Serial Number	Description	Qty.
1	1015406	(00000000-) Plate, Seat, W/ Label	1
2	1038062	(00000000- 10382115) Holder Kit, Cup, Assy [T7]	1
3	1038081	(10382116-) Holder, Cup, Brkt, Blk, [T7]	1
4	1025867	(10382116-) Holder, Cup, Blk [T7]	1
5	1048955	(10400497-) Switch, Seat, No [Delta 6440- 04]	1
6	1016435	(00000000-) Washer, Flat, 0.38b 0.90d .08, Stl, Blk	2
7	393135	(00000000-) Screw, Btn, M8 X 1.25 X 20, Blk	2
8	08713	(00000000-) Nut, Hex, Lock, M8 X 1.25, NI, Ss	2
9	01685	(00000000-) Washer, Flat, 0.31, Ss	2
10	223078	(00000000- 10400496) Switch, Seat, No [Delta 6500]	1
11	1017053	(00000000-) Rail, Adj, Slide, Seat, 11.5l	1
12	1017054	(00000000-) Rail, Adj, Slide, Seat, 11.5l, W/ Latch	1
13	76956	(10611440-) Screw, Hex, .31- 18 X 1.25, G5	4
13	25537	(00000000- 10611439) Screw, Pan, .31- 18 X 0.75, G2	4
14	69461	(00000000- 10400496) Washer, Flat, 0.38b 0.88d .12, Stl, PI	8
15	32491	(00000000-) Washer, Flat, 0.31, Std	4
16	01760	(00000000-) Nut, Hex, Lock, .31- 18, NI, Thin	4
17	46236	(00000000-) Clamp, Cable, Stl, 0.25d X 0.56w, 1h	1
18	1016000	(00000000-) Plate, Stop, Seat	1
19	1017699	(00000000-) Sleeve, P/M, 0.31b 0.44d 0.6l [430ss]	1
20	10928	(00000000-) Spring, Tors, 0.49id .05wir 05.0coil	1
21	1018151	(00000000-) Washer, Flat, 0.44b 0.88d .06, Nyl	1
22	09023	(00000000-) Screw, Hex, M8 X 1.25 X 35, Ss, FI	1
23	01685	(00000000-) Washer, Flat, 0.31, Ss	2
24	08713	(00000000-) Nut, Hex, Lock, M8 X 1.25, NI, Ss	1
25	391951	(00000000-) Harness, Seat [T7/Ssr]	1
26	1020170	(00000000-) Molding, Afmkt, Trim, Pvc, .08 .11, 2ft	1
27	9002898	(00000000-) Cover, Box, Battery, Trim [R14]	1
28	09740	(00000000-) Screw, Hex, M8 X 1.25 X 20, Ss	2
29	1017218	(00000000-) Washer, Flat, 0.32b 1.00d .12, Ss	3
30	08713	(00000000-) Nut, Hex, Lock, M8 X 1.25, NI, Ss	1
31	1023549	(00000000-) Bracket, Fill [Fast Opng]	1
32	9005082	(10611440-) Seat Kit, Std, Replmt (Kit Includes Screw & Spacer)	1
32	1048932	(10400497- 10611439) Seat, Std [Michigan, Model V- 2505] (Replaced by 9005082)	1
32	9005082	(00000000- 10400496) Seat Kit, Std, Replmt	1
33	41141	(00000000-) Washer, Lock, Int- Ext, 0.31	1
34	69461	(10400497-) Washer, Flat, 0.38b 0.88d .12, Stl, PI	4
35	1051052	(10400497-) Spacer, Rnd, .38b .88d .38l	4

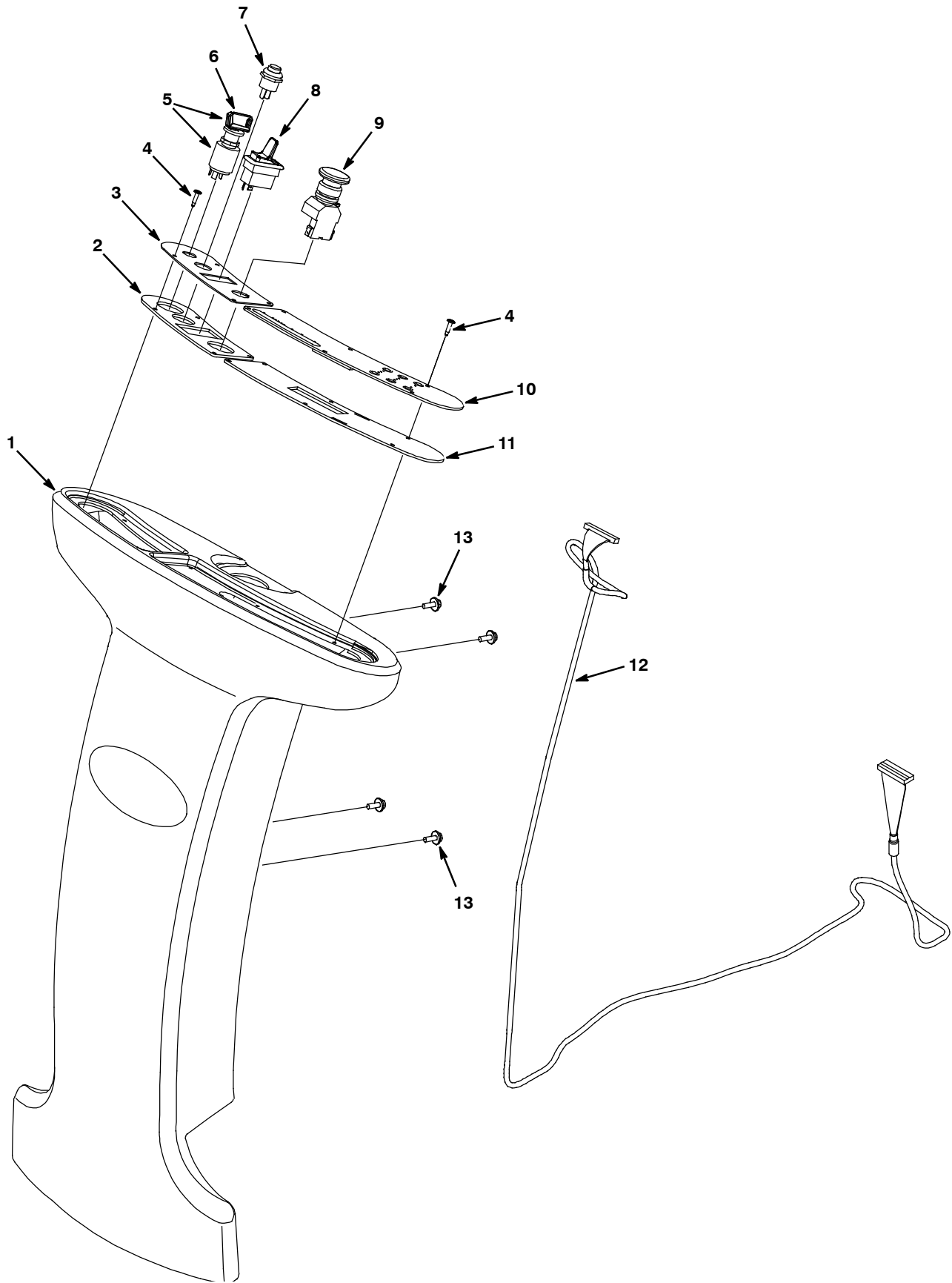
STEERING GROUP



STEERING GROUP

Ref.	Part No.	Serial Number	Description	Qty.
1	1072829	(00000000-) Support Wldt, Steering	1
2	14529	(00000000-) Screw, Hex, M10 X 1.5 X 70, Ss	4
3	01686	(00000000-) Washer, Flat, 0.44b 1.00d .08, Ss	4
4	69234	(00000000-) Clamp, Cable, Stl, 1.00d X 0.75w, 1h	3
5	32490	(00000000-) Washer, Flat, 0.25, Std	3
6	08709	(00000000-) Nut, Hex, Lock, M8 X 1.25, NI	3
7	1040295	(00000000-) Joint, U, 0.75id	1
8	46820	(00000000-) Screw, Set, .31- 18 X 0.38, NI	4
9	00912	(00000000-) Key, Sq, 0.19 X 0.19, 1.00l	1
10	223065	(00000000-) Bearing, Flng, 2hole, 0.75b [Nyl]	1
11	09740	(00000000-) Screw, Hex, M8 X 1.25 X 20, Ss	2
12	1013164	(00000000-) Shaft, Steering, Wheel	1
13	1012002	(00000000-) Wheel, Steering, 300mm	1
14	1019706	(00000000-) Cap, Wheel, Steering	1
15	1014328	(00000000-) Key, Sq, 05mm X 05mm X 25mml	1
16	64154	(00000000-) Washer, Flat, 0.53b 1.12d .11, Stl, Pl	1
17	08711	(00000000-) Nut, Hex, Lock, M12 X 1.75,NI	1
18	1012437	(00000000-) Bellows, Shaft, Steering	1

INSTRUMENT PANEL GROUP



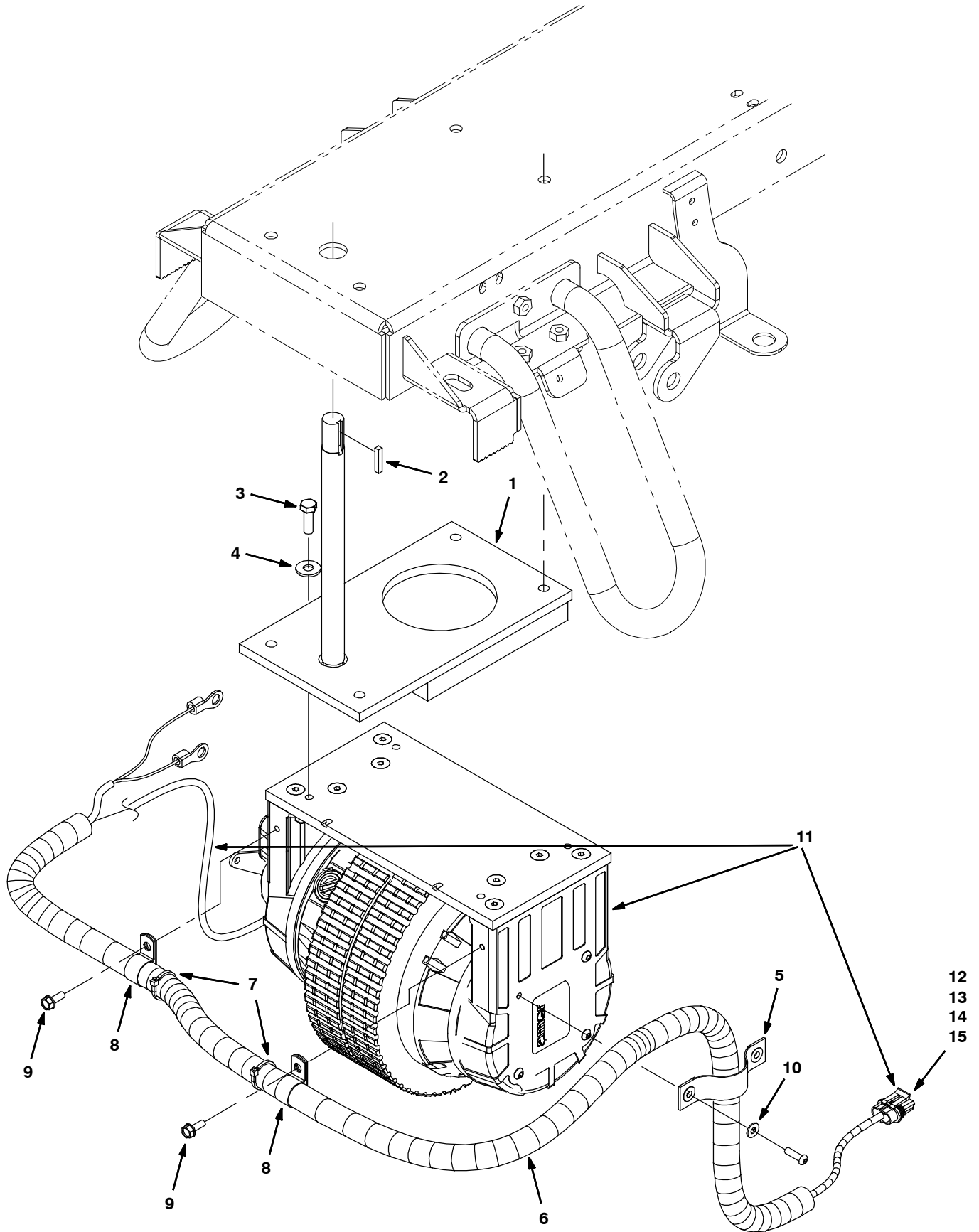
INSTRUMENT PANEL GROUP

Ref.	Part No.	Serial Number	Description	Qty.	
1	1015415	(00000000-) Column, Steering, W/ Label [T7] (Teal)	1	
1	9003093	(00000000-) Column, Steering, W/ Label [Aramark T7] (Gray)	1	
2	1014080	(00000000-) Gasket, Panl, Instmt, Rh, .13, Foam, Adh	1	
3	1046313	(10403819-) Panel, Instmt, Rh	1	
3	9004968	(00000000- 10403818) Switch Kit, Key, [T7/Ssr/R14/Strv Rdr]	1	
4	72969	(00000000-) Rivet, Plstc, .181d X 0.720	10	
▽	5	1011402	(10403819-) Switch, Key	1
▲	6	1017696	(10403819-) Key Set, Replmt [F/ Keyswitch 1011402]	1
▽	5	9004968	(00000000- 10403818) Switch Kit, Key, [T7/Ssr/R14/Strv Rdr]	1
▲	6	361144	(00000000- 10403818) Key, Ignition [Set Of 2] (For Key Switch 1016789)	1
7	1014832	(00000000-) Switch, Horn	1	
8	1072040	(00000000-) Switch, Rocker, Spst, Paddle	1	
9	1011735	(00000000-) Switch, Safety, Shutoff	1	
10	1024154	(00000000-) Panel, Instmt, Lh [Tco]	1	
11	1013939	(00000000-) Gasket, Panl, Instmt, Lh, .13, Foam, Adh	1	
12	1016865	(00000000-) Cable, Ribbon, 90.6l	1	
13	1072628	(00000000-) Screw, Hex, M8 X 1.25 X 25, Ss, Sems	4	

▽ ASSEMBLY

▲ INCLUDED IN ASSEMBLY

FRONT DRIVE WHEEL GROUP



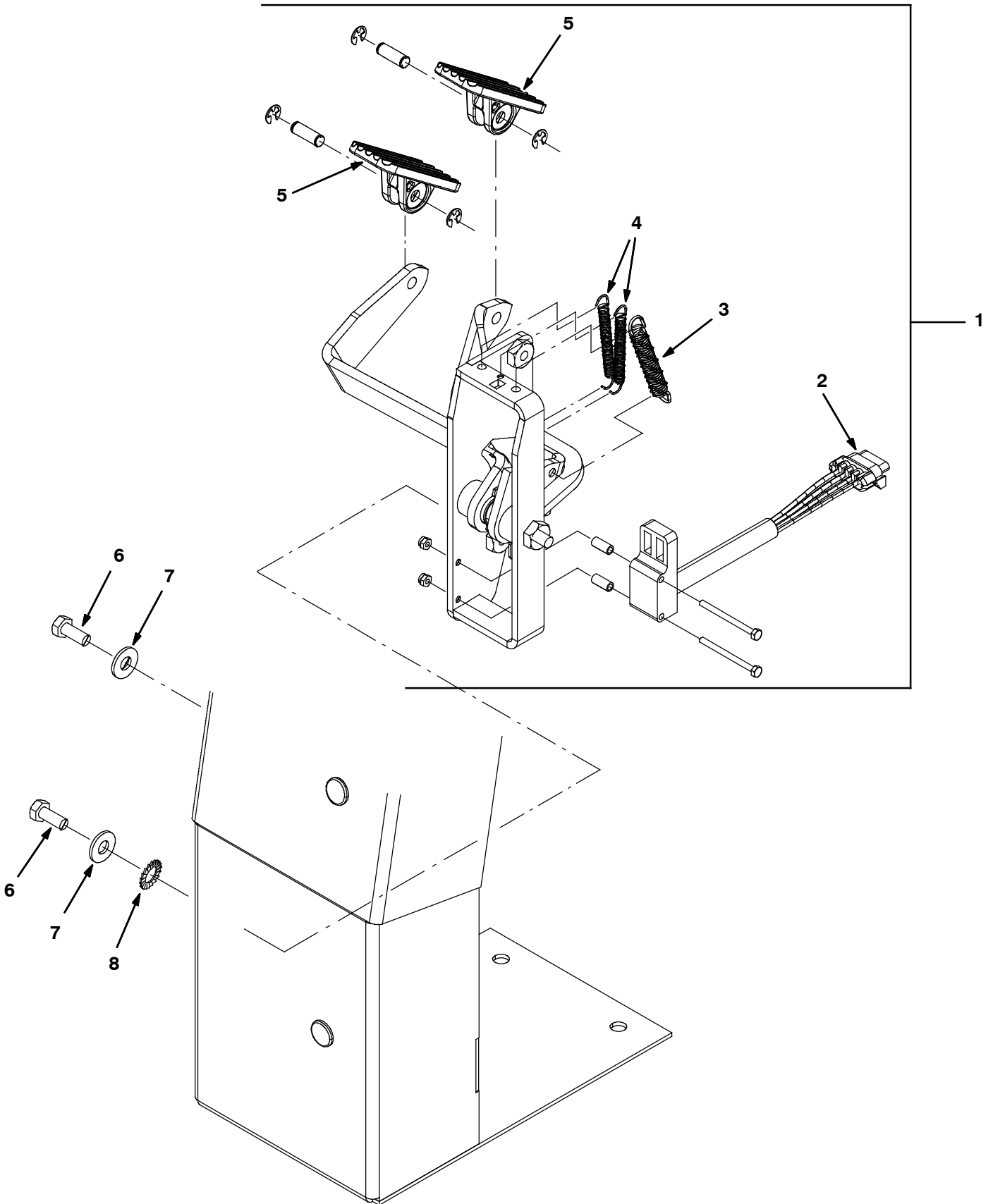
FRONT DRIVE WHEEL GROUP

Ref.	Part No.	Serial Number	Description	Qty.	
1	1019724	(00000000-) Steer- Control Assy, Wheel Drive	1	
2	00912	(00000000-) Key, Sq, 0.19 X 0.19, 1.00l	1	
3	09740	(00000000-) Screw, Hex, M8 X 1.25 X 20, Ss	4	
4	01685	(00000000-) Washer, Flat, 0.31, Ss	4	
5	1019224	(00000000-) Strap, Nyl	1	
6	1015761	(00000000-) Sleeve, Afmkt, Nyl, #13, 03ft	1	
7	49263	(00000000-) Tie, Cable, Nyl, 11.4l .19w 3.0 Max D	2	
8	40678- 1	(00000000-) Clamp, Cable, Stl, 0.88d X 0.62w, 1hole	2	
9	361339	(00000000-) Screw, Hex, M6 X 1.0 X 16, Fmg	2	
10	19066	(00000000-) Washer, Flat, #10	2	
▽	11	9003021	(00000000-) Gearbox Kit, Wheel, 250mm, W/Connector	1
▲	12	78950	(00000000-) Connector, Fem, 2cav, Mp280 Sealed	1
▲	13	78952	(00000000-) Lock, Secondary, 2cav, Mp280 Sealed	1
▲	14	25837	(00000000-) Terminal, Fem, Mp280, Sealed, 22- 20ga	2
▲	15	25830	(00000000-) Seal, Wire, 14ga [Wp / Mp280 Sealed]	2

▽ ASSEMBLY

▲ INCLUDED IN ASSEMBLY

BRAKE PEDAL AND ACCELERATOR PEDAL GROUP (S/N 10644406-)



BRAKE PEDAL AND ACCELERATOR PEDAL GROUP (S/N 10644406-)

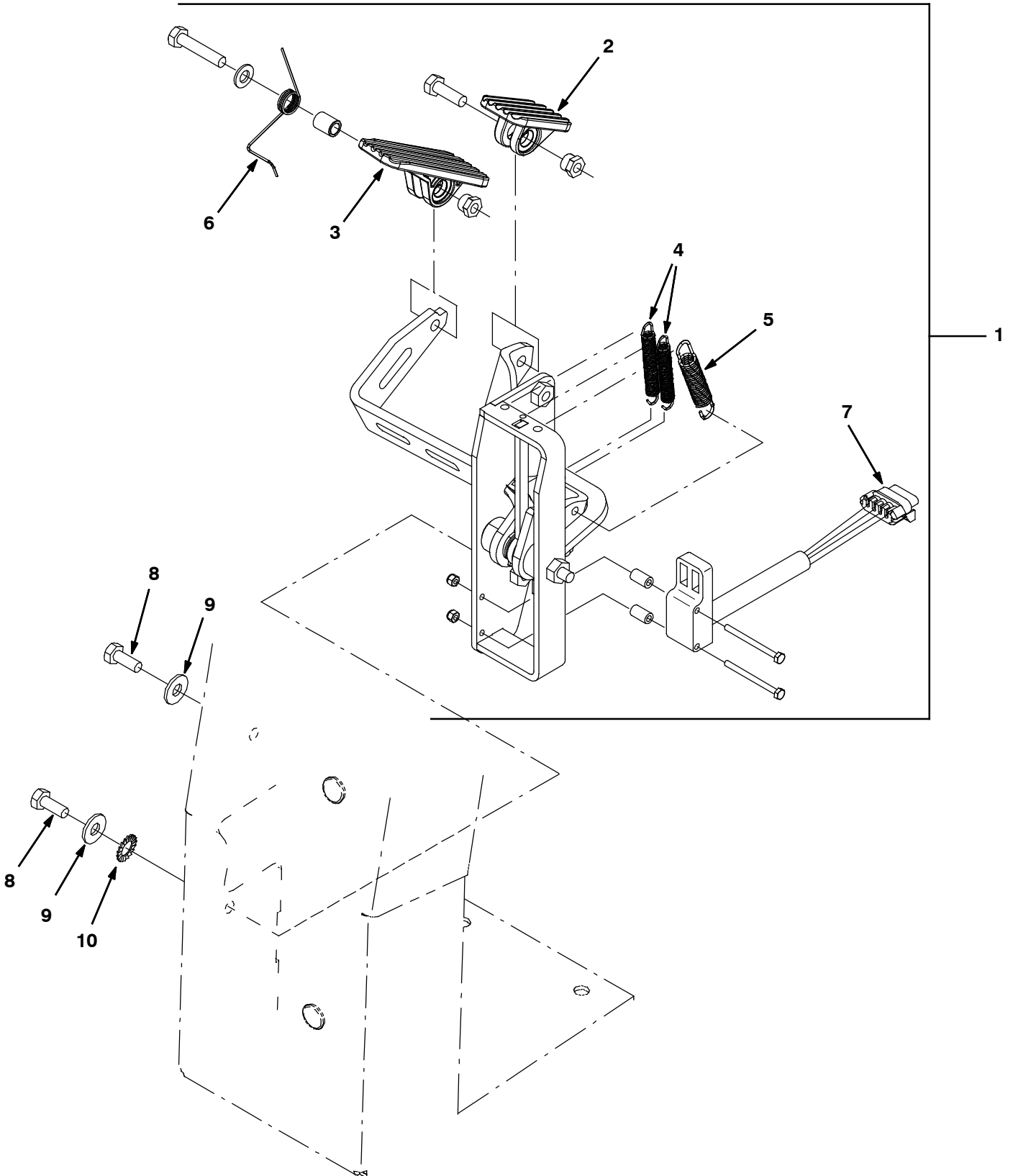
	Ref.	Part No.	Serial Number	Description	Qty.
▽	1	1072477	(10644406-) Pedal Assy, Accelerator, Brake	1
▲	2	1058687	(10508137-) Vr, Sensor, Position [Hall]	1
▲	3	1031716	(10508137-) Spring, Extn, 0.50od 0.07wir 03.0l	1
▲	4	1061049	(10508137-) Vr, Spring, Extn, 0.35od 0.05wir 02.8l	2
▲	5	1072478	(10644406-) Vr, Pedal, Foot, W/ Tread	2
	6	09740	(00000000-) Screw, Hex, M8 X 1.25 X 20, Ss	2
	7	01685	(00000000-) Washer, Flat, 0.38b 0.88d .08, Ss	2
	8	41141	(00000000-) Washer, Lock, Int- Ext, 0.31	1

▽ ASSEMBLY

▲ INCLUDED IN ASSEMBLY

STANDARD PARTS

BRAKE PEDAL AND ACCELERATOR PEDAL GROUP (S/N 10508137-10644405)



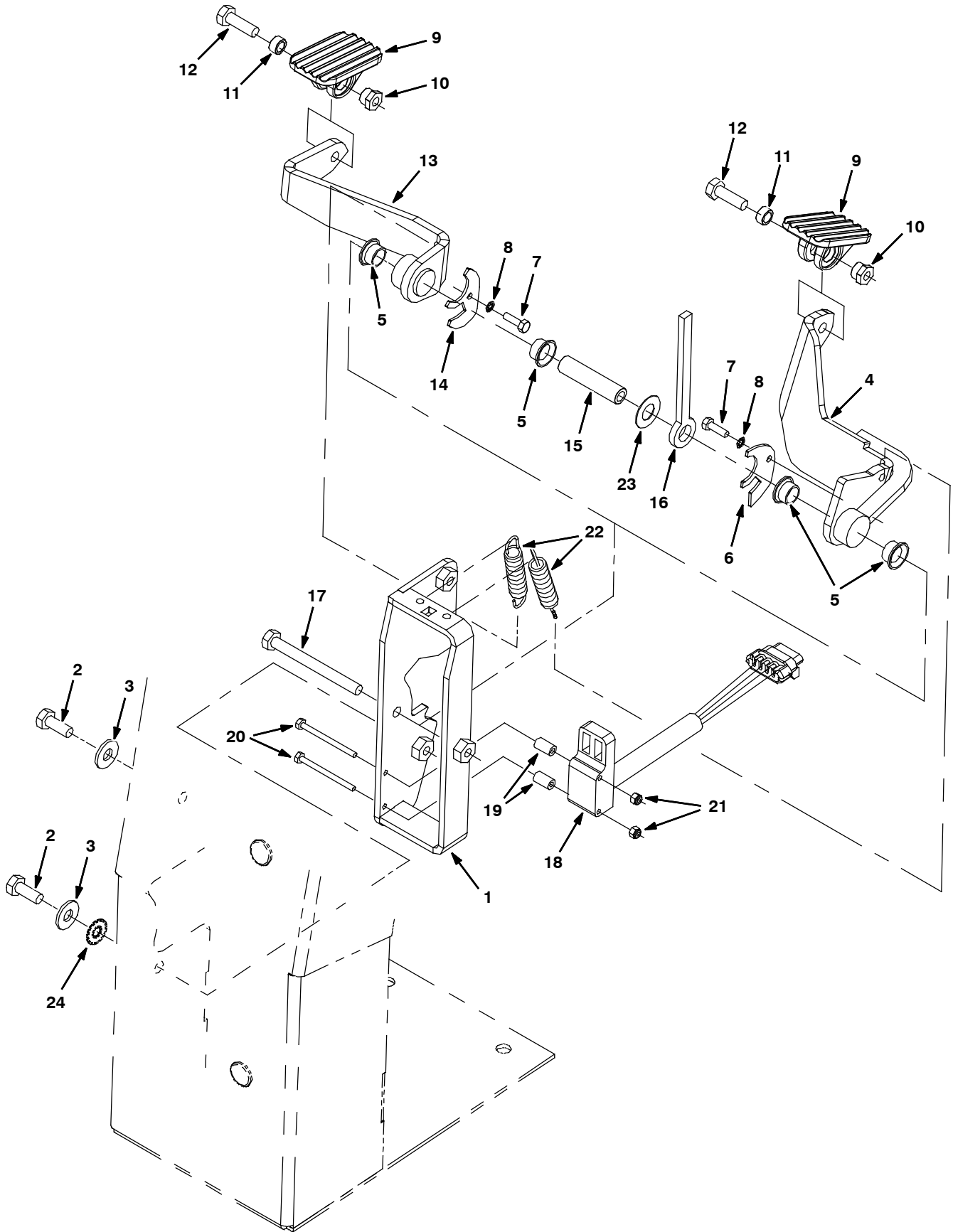
BRAKE PEDAL AND ACCELERATOR PEDAL GROUP (S/N 10508137- 10644405)

Ref.	Part No.	Serial Number	Description	Qty.
▽	1	1051837	(10508137- 10644405) Pedal Assy, Accelerator, Brake (Replaced By 1072477 Pedal Assy Kit)	1
▲	2	1014548	(10508137- 10644405) Vr, Pedal, Brake, W/ Tread (Replaced By 1072477 Pedal Assy Kit)	1
▲	3	1051836	(10508137- 10644405) Vr, Pedal, Propel, W/ Tread (Replaced By 1072477 Pedal Assy Kit)	1
▲	4	1061049	(10508137-) Vr, Spring, Extn, 0.35od 0.05wir 02.8l	2
▲	5	1031716	(10508137-) Spring, Extn, 0.50od 0.07wir 03.0l	1
▲	6	1064665	(10508137- 10644405) Vr, Spring, Tors, 0.55id .05wir 04.0coil	1
▲	7	1058687	(10508137-) Vr, Sensor, Position [Hall]	1
	8	09740	(00000000-) Screw, Hex, M8 X 1.25 X 20, Ss	2
	9	01685	(00000000-) Washer, Flat, 0.38b 0.88d .08, Ss	2
	10	41141	(00000000-) Washer, Lock, Int- Ext, 0.31	1

▽ ASSEMBLY

▲ INCLUDED IN ASSEMBLY

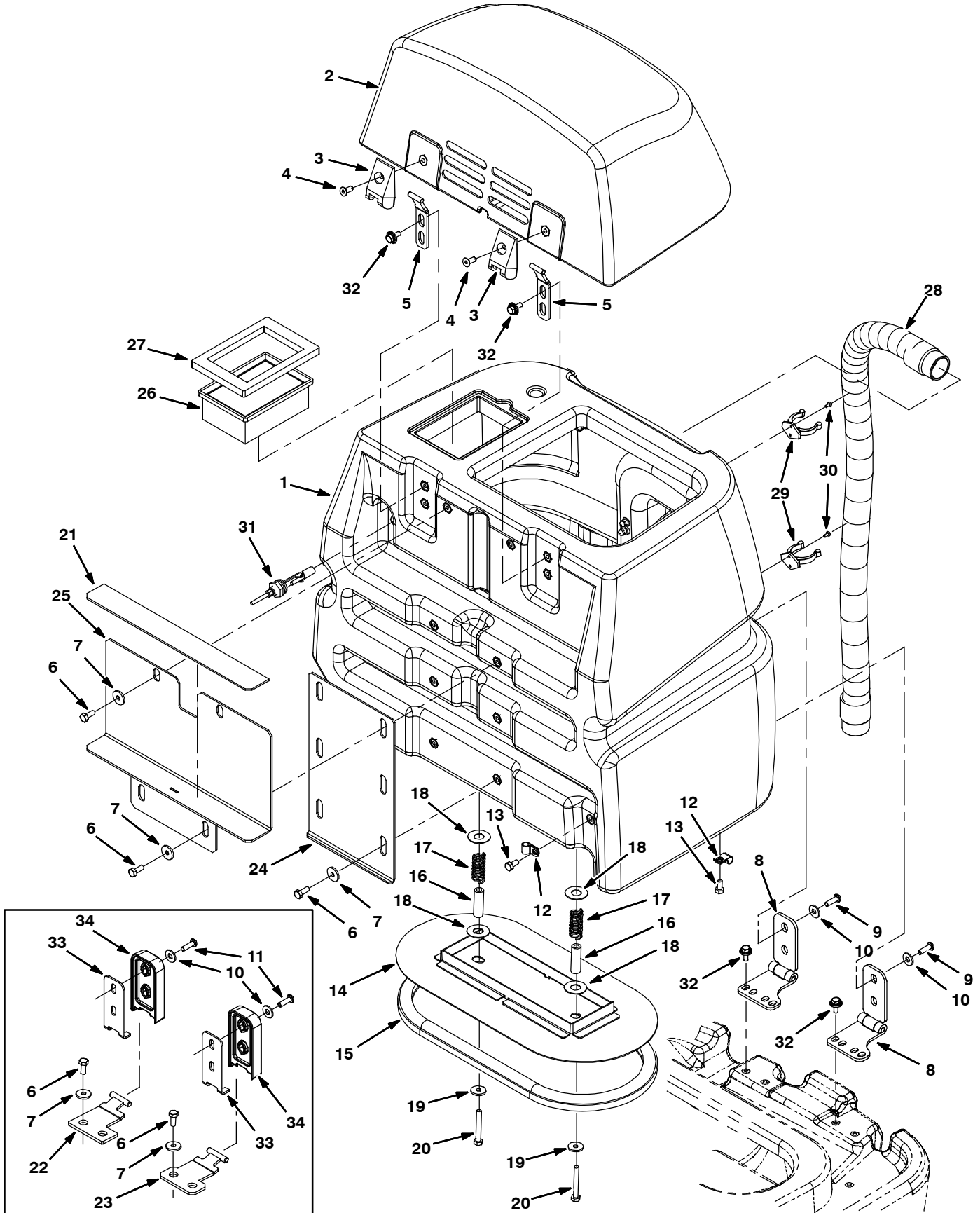
BRAKE PEDAL AND ACCELERATOR PEDAL GROUP (S/N 0000000-10508136)



BRAKE PEDAL AND ACCELERATOR PEDAL GROUP (S/N 00000000- 10508136)

Ref.	Part No.	Serial Number	Description	Qty.
1	1011970	(00000000- 10508136)	Frame Wldt, Pedal (Replaced By 1051837)	1
2	09740	(00000000-)	Screw, Hex, M8 X 1.25 X 20, Ss	2
3	01685	(00000000-)	Washer, Flat, 0.31, Ss	2
4	1019766	(00000000-)	Arm Wldt, Brake	1
5	15648	(00000000-)	Bushing, Flng, 0.50b 0.59d 0.38l	4
6	1011955	(00000000-)	Plate, Brake	1
7	24199	(00000000-)	Screw, Hex, M5 X 0.8 X 16, Ss	2
8	07514	(00000000- 10508136)	Washer, Lock, Int, #10, Ss	2
9	1014548	(00000000- 10508136)	Pedal, Rest, Foot	2
10	1014582	(00000000-)	Nut, T, M8 X 1.25 X 11.90od X 6.2l	2
11	1014668	(00000000- 10508136)	Bushing, Sleeve, 8mmb 12mmd 6mml	2
12	09010	(00000000-)	Screw, Hex, M8 X 1.25 X 25, Ss	2
13	1013898	(00000000- 10508136)	Arm Wldt, Accelerator	1
14	1011951	(00000000-)	Plate, Accelerator	1
15	1011865	(00000000-)	Pivot, Tube	1
16	1011880	(00000000-)	Bearing, Thrust	1
17	06958	(00000000-)	Screw, Hex, M8 X 1.25 X 80, 8.8	1
18	1011562	(00000000- 10508136)	Sensor, Position [Hall] (Replaced By 1058687)	1
19	1011957	(00000000-)	Tube, Rnd, 0.32d 0.17b 00.6l, Ss, P/M	2
20	32509	(00000000-)	Screw, Hex, M4 X 0.7 X 50, Ss	2
21	33932	(00000000-)	Nut, Hex, Lock, M4 X 0.70, NI, Ss	2
22	1031716	(00000000- 10508136)	Spring, Extn, 0.50od X 0.07wir, 3.0l	2
23	20536- 2	(00000000- 10508136)	Washer, Flat, 0.47b 1.19d .03, Nyl	1
24	41141	(00000000-)	Washer, Lock, Int- Ext, 0.31	1

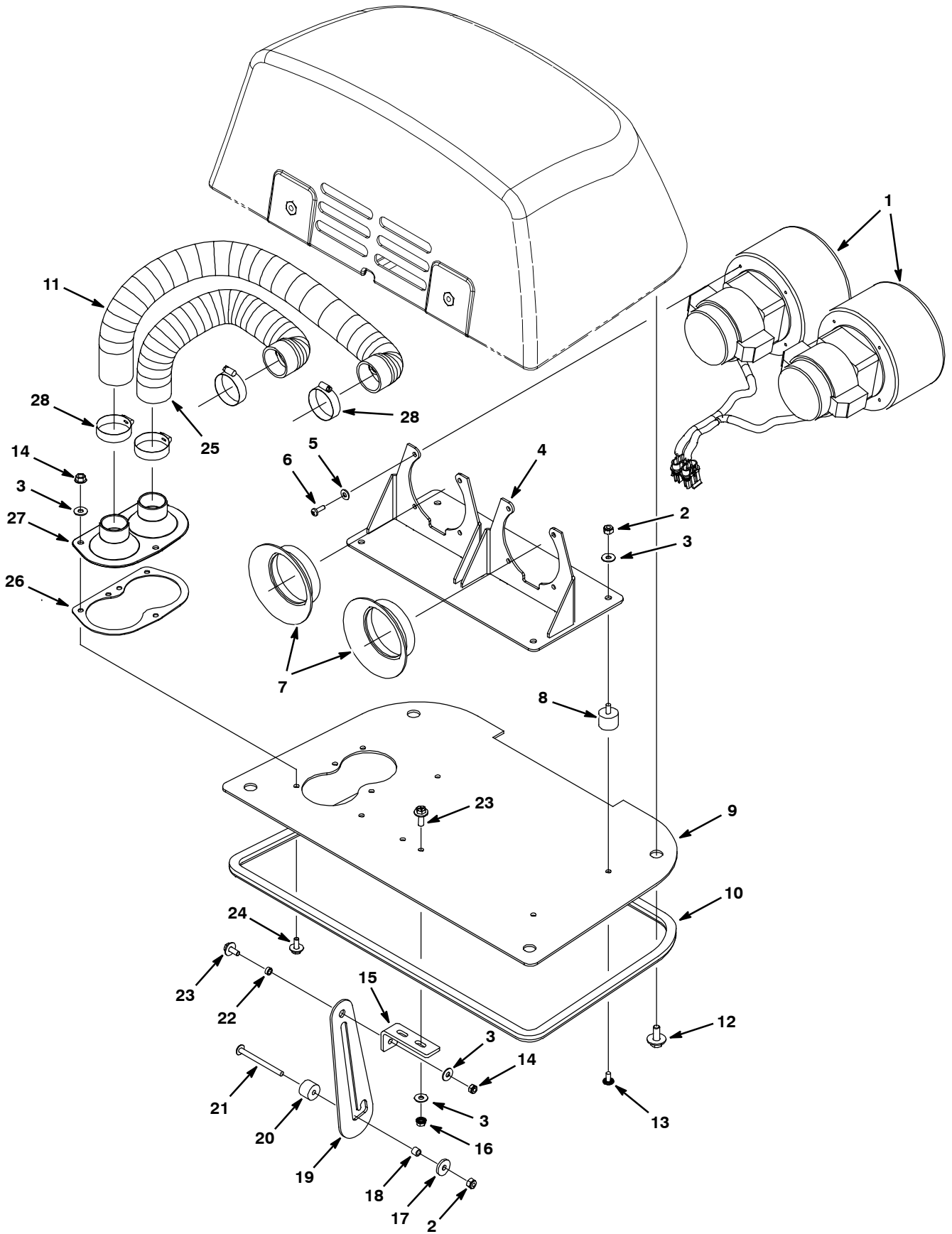
RECOVERY TANK GROUP



RECOVERY TANK GROUP

Ref.	Part No.	Serial Number	Description	Qty.
1	9002903	(00000000-) Tank, Recvy, W/ Label, Afmkt [R14] (Teal)	1
1	9003092	(00000000-) Tank, Recvy, W/ Label, Afmkt [R14 Aramark] (Gray)	1
2	9002908	(00000000-) Cover, Tank, Recvy, Afmkt [R14]	1
3	222529	(00000000-) Hinge, Leaf	2
4	222463	(00000000-) Screw, Flt, M8 X 1.25 X 20, Blk	2
5	1012055	(00000000-) Hinge Wldt, Cover	2
6	09740	(00000000-) Screw, Hex, M8 X 1.25 X 20, Ss	8
7	1017218	(00000000-) Washer, Flat, 0.32b 1.00d .12, Ss	8
8	1018304	(10346364-) Hinge, 10mm Pin, Crs, Blk [T7]	2
9	393135	(10346364-) Screw, Btn, M8 X 1.25 X 20, Blk	4
10	1016435	(00000000-) Washer, Flat, 0.38b 0.90d .08, Stl, Blk	4
11	1016430	(00000000- 10346363) Screw, Btn, M8 X 1.25 X 25, 10.9, Blk	4
12	82829	(00000000-) Clamp, Cable, Stl, 0.63d X 0.75w, 1h	4
13	15675	(00000000-) Screw, Hex, M8 X 1.25 X 16, Ss	4
14	1016855	(00000000-) Plate Wldt, Seal, Tank	1
15	1020301	(00000000-) Seal, Afmkt, Bulb, Clsd Cell, Adh, 08ft	1
16	1016871	(00000000-) Tube, Pvc, 0.63d 0.35b 02.0l	2
17	397255	(00000000-) Spring, Cmpr, 0.90d .080wir 02.0l	2
18	605385	(00000000-) Washer, Flat, 0.69b 1.50d .05, Ss	4
19	1017218	(00000000-) Washer, Flat, 0.32b 1.00d .12, Ss	2
20	1014163	(00000000-) Screw, Hex, M8 X 1.25 X 60, Fl, Ss	2
21	1017705	(00000000-) Pad, Rbr	1
22	1011752	(00000000- 10346363) Hinge Wldt, Tank	1
23	1011753	(00000000- 10346363) Hinge Wldt, Tank	1
24	1017670	(00000000-) Angle, Sppt, Tank	1
25	1025647	(00000000-) Bracket Wldt, Tank, Sppt	1
26	1037821	(00000000-) Filter, Panl, Dust, 2.3 X 04.5 X 06.4	1
27	1016392	(00000000-) Gasket, 05.31 X 03.74 X .50, Ure, Adh	1
28	1025587	(00000000-) Hose, Vacuum, 1.5d X 32l, 2- Short Cuff	1
29	1001992	(00000000-) Clip, Grip, Hose, 1.75id, Blk Ny	2
30	607006	(00000000-) Screw, Trs, M4 X 0.70 X 12, Phl, Pl	4
31	385685	(00000000-) Sensor, Level, Liq, 14vdc 01a .62- 11	1
32	1020341	(00000000-) Screw, Hex, M8 X 1.25 X 20, Ss, Sems	8
33	1017590	(00000000- 10346363) Plate, Hinge	2
34	1011536	(00000000- 10346363) Hinge, Tank	2

VACUUM FAN GROUP



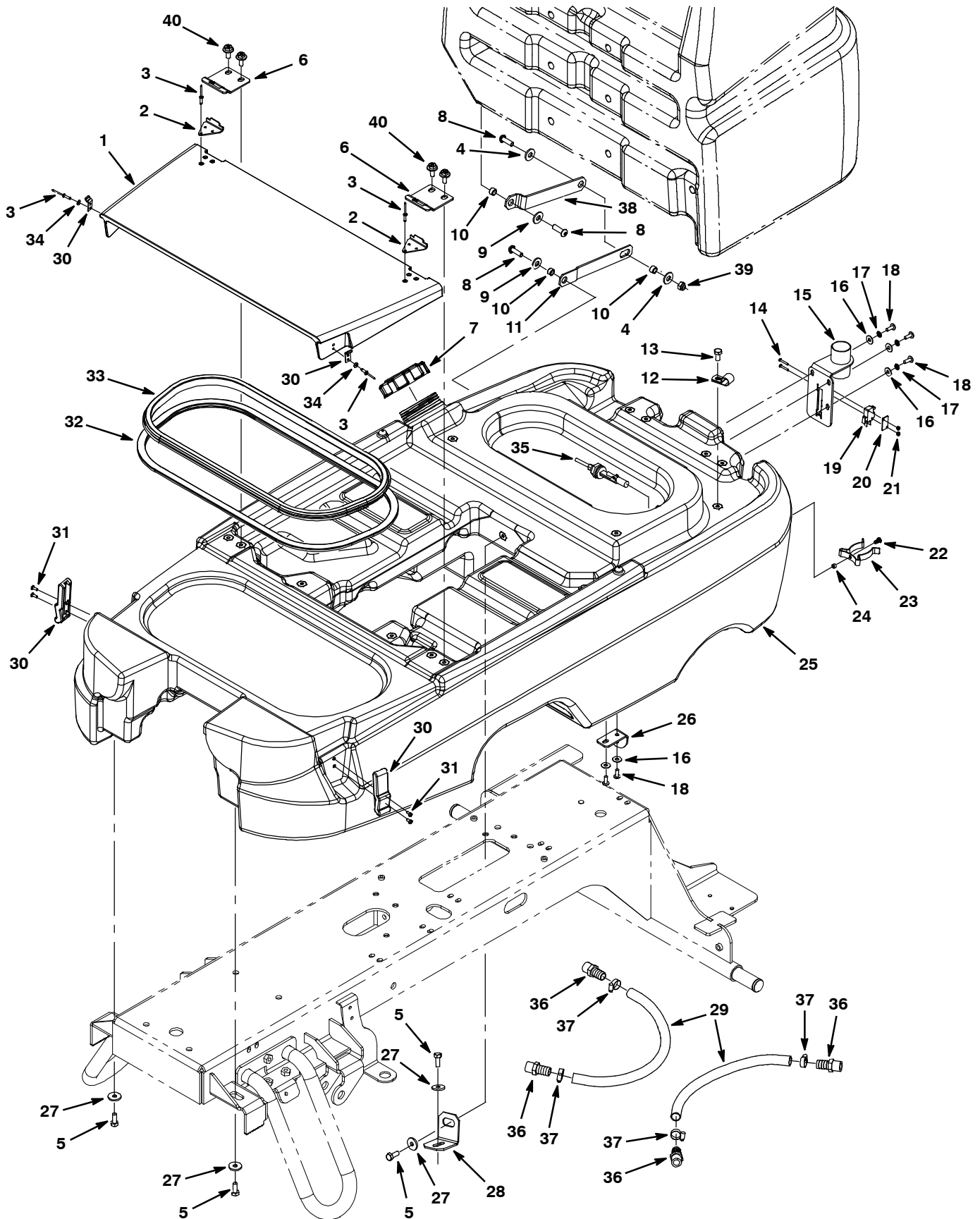
VACUUM FAN GROUP

	Ref.	Part No.	Serial Number	Description	Qty.
▽	1	1039763	(00000000-) Fan, Vacuum, 5.7d, 024vdc, 3 Stage [Bpp]	2
▲	1	372883	(00000000-) Vr, Brush Kit, Motor, Ele	2
▲	1	398511	(00000000-) Vr, Housing	2
	2	41169	(00000000-) Nut, Hex, Lock, .25- 20, NI, Ss	5
	3	01684	(00000000-) Washer, Flat, 0.25, Ss	11
	4	1024100	(00000000-) Bracket Wldt, Mtg, Fan	1
	5	19066	(00000000-) Washer, Flat, #10	8
	6	1015506	(00000000-) Screw, Pan, M5 X 16	8
	7	1011140	(00000000-) Seal, Fan	2
	8	1000409	(00000000-) Mount, Stud / Plate	4
	9	1027532	(00000000-) Plate, Wldt, Fan	1
	10	9002910	(00000000-) Seal, Bulb, Str, 0.5h 0.5w 2.014m, Afmkt	1
	11	1024230	(00000000-) Hose, Vacuum, Wir, 1.50id X 024.0l, Clr	1
	12	1020341	(00000000-) Screw, Hex, M8 X 1.25 X 20, Ss, Sems	4
	13	140195	(00000000-) Screw, Trs, .25- 20 X 0.50, Phl, Ss, Sems	4
	14	07790	(00000000-) Nut, Hex, Flng, M6 X 1.00	4
	15	1026322	(00000000-) Bracket, Mtg, Stop	1
	16	1007108	(00000000-) Nut, Hex, Lock, M6 X 1.00, Kep, Ext	2
	17	140053	(00000000-) Washer, Flat, 0.28b 0.88d .12, Ss	1
	18	140154	(00000000-) Sleeve, P/M, 0.25b 0.38d 0.3l, PI	1
	19	1026270	(00000000-) Bracket, Arm, Prop	1
	20	578579	(00000000-) Spacer, 0.25b 0.88d 0.50l	1
	21	1026986	(00000000-) Screw, Trs, .25- 20 X 3.00, Phl, Ss	1
	22	80491	(00000000-) Sleeve, P/M, 0.25b 0.38d 0.2l [430ss]	1
	23	1034731	(00000000-) Screw, Hex, M6 X 1.00 X 16, Ss, Sems	3
	24	1034731	(00000000-) Screw, Hex, M6 X 1.00 X 16, Ss, Sems	3
	25	1024233	(00000000-) Hose, Vacuum, Wir, 1.50id X 012.3l, Clr	1
	26	1025538	(00000000-) Gasket, Adapter	1
	27	1024787	(00000000-) Adapter, Hose	1
	28	79381	(00000000-) Clamp, Hose, Wormdrive, 1.25- 2.00d, .50w	4

▽ ASSEMBLY

▲ INCLUDED IN ASSEMBLY

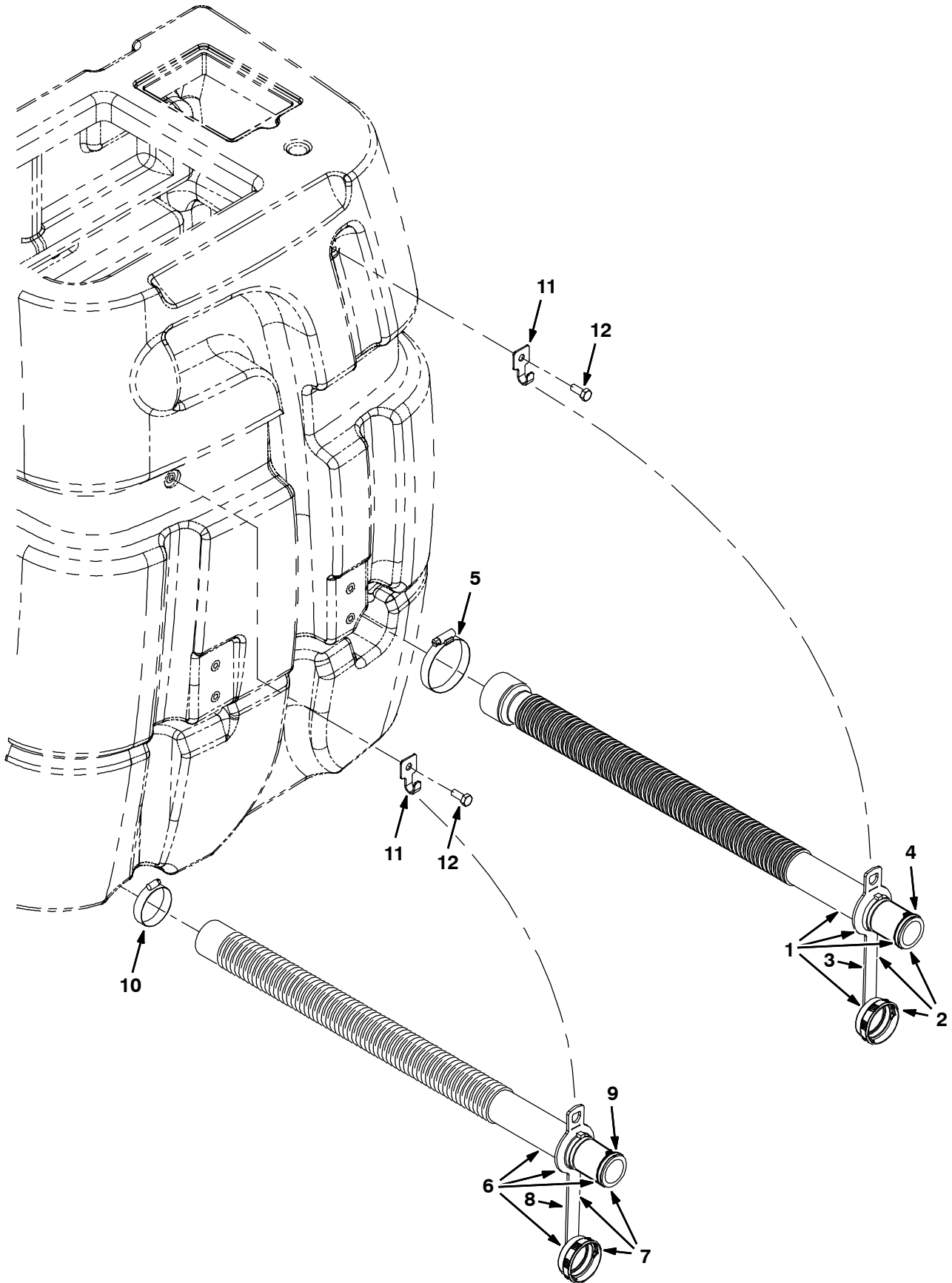
SOLUTION TANK GROUP



SOLUTION TANK GROUP

Ref.	Part No.	Serial Number	Description	Qty.
1	1012505	(00000000-) Cover, Tank, Soltn	1
2	1020292	(00000000-) Plate, Cover, Tab	2
3	1021677	(00000000-) Rivet, Blind, .154d X 0.55 X .38d, Ss	10
4	01685	(00000000-) Washer, Flat, 0.31, Ss	2
5	09740	(00000000-) Screw, Hex, M8 X 1.25 X 20, Ss	4
6	1020317	(00000000-) Catch, Cover	1
7	1011885	(00000000-) Cap, Tank	4
8	1016430	(00000000-) Screw, Btn, M8 X 1.25 X 25, 10.9, Blk	4
9	1016435	(00000000-) Washer, Flat, 0.38b 0.90d .08, Stl, Blk	2
10	222516	(00000000-) Sleeve, P/M, 0.31b 0.50d 0.3l [430ss]	3
11	1011852	(00000000-) Arm, Tank, Retaining	1
12	82829	(00000000-) Clamp, Cable, Stl, 0.63d X 0.75w, 1hole	2
13	15675	(00000000-) Screw, Hex, M8 X 1.25 X 16, Ss	2
14	06922	(00000000-) Screw, Pan, M3 X 0.50 X 20, 4.8	2
15	1024246	(00000000-) Bracket, Hose, Vacuum	1
16	01684	(00000000-) Washer, Flat, 0.25, Ss	5
17	07515	(00000000-) Washer, Lock, Int, 0.25, Ss	3
18	608322	(00000000-) Screw, Trs, M6 X 1.00 X 16, Phl, Ss	5
19	9002907	(00000000-) Switch Kit, Afmkt [Gator]	1
20	601359	(00000000-) Plate, Backing, Switch	1
21	579211	(00000000-) Nut, Hex, Lock, M3 X 0.50, Ss	2
22	140287	(00000000-) Screw, Pan, M4 X 0.7 X 16, Phl, Ss	1
23	1030368	(00000000-) Clip, Adj, Tool Clip, 1 To 1.78 Dia.	1
24	630452	(00000000-) Spacer, Plstc, 4.3b 8.0d 5.0l, Ny Blk	1
25	9002905	(00000000-) Tank, Soltn W/ Label, Afmkt [R14]	1
26	1027562	(00000000-) Bracket, Hose, Qdc	1
27	1017218	(00000000-) Washer, Flat, 0.32b 1.00d .12, Ss	4
28	1014072	(00000000-) Bracket, Mtg, Tank	1
29	9002919	(00000000-) Hose, Pvc, Clr, 0.62id 0.88od, 36l	1
30	49800	(00000000-) Latch	2
31	607006	(00000000-) Screw, Trs, M4 X 0.70 X 12, Phl, Pl	4
32	1020727	(00000000-) Seal, Afmkt, Bulb, Clsd Cell, Adh, 08ft	2
33	1020719	(00000000-) Seal, Afmkt, Bulb, Clsd Cell, Adh, 08ft	5
34	140026	(00000000-) Washer, Flat, #06, Sae Pl	4
35	385685	(00000000-) Sensor, Level, Liq, 14vdc 01a .62- 11	1
36	41440	(00000000-) Fitting, Plstc, Str, Bm10/Pm08	4
37	54333	(00000000-) Clamp, Hose, Wormdrive, 0.31- 0.88d, .31w	4
38	1011853	(00000000-) Arm, Tank, Retaining	1
39	08713	(00000000-) Nut, Hex, Lock, M8 X 1.25, NI, Ss	1
40	1020341	(00000000-) Screw, Hex, M8 X 1.25 X 20, Ss, Sems	4

TANKS DRAIN GROUP



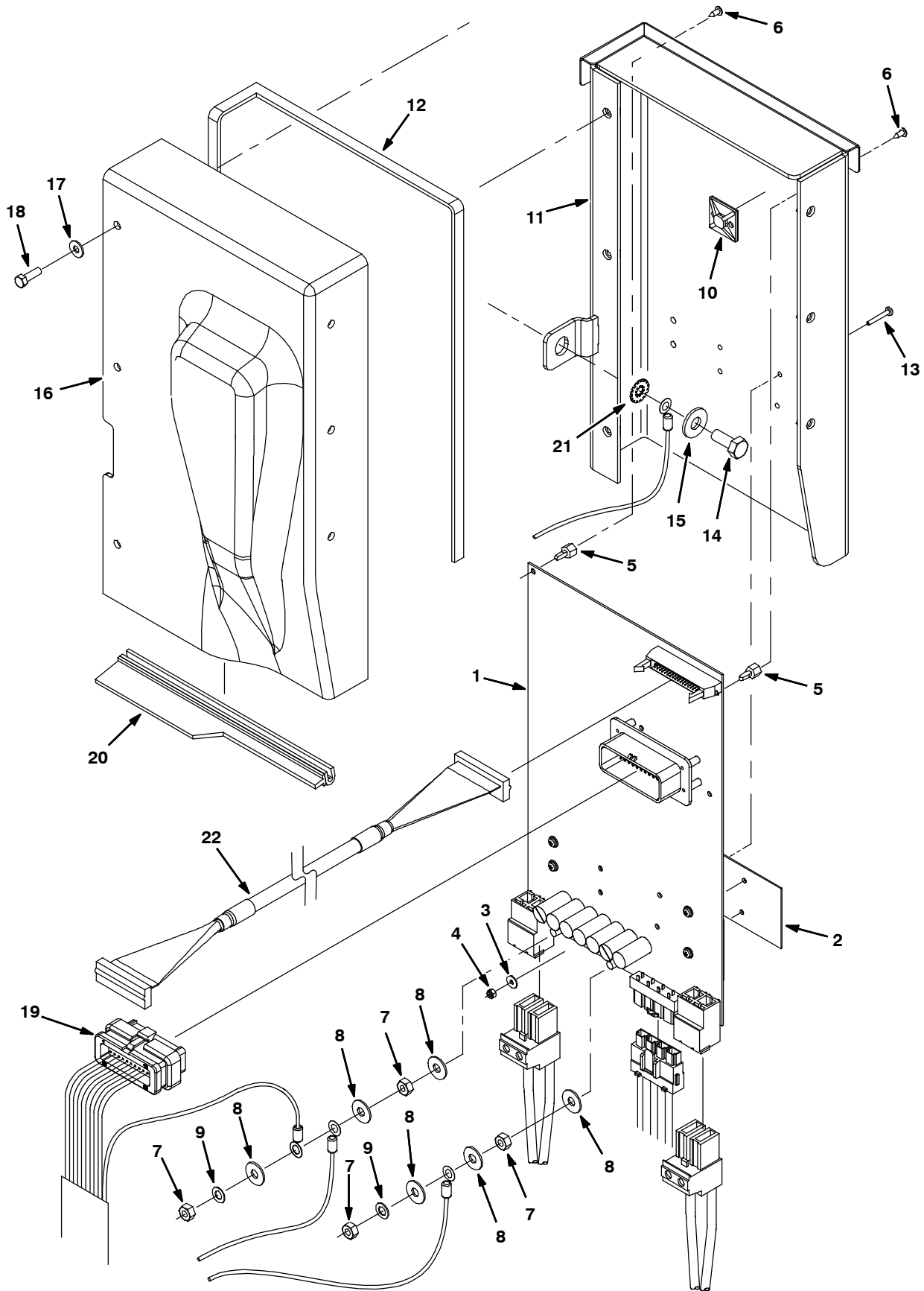
TANKS DRAIN GROUP

	Ref.	Part No.	Serial Number	Description	Qty.
▽	1	1014274	(00000000-) Hose Assy, Drain, 1.50id X 27.8l, Blk (Recovery Tank)	1
▲▽	2	1008639	(00000000-) Cap, Drain Assy	1
▲▲	3	1019563	(00000000-) Strap, Cap, Drain	1
▲▲	4	1008637	(00000000-) Seal, Org, 1.48id 1.76od	1
	5	14432	(00000000-) Clamp, Hose, Wormdrive, 1.81- 2.75d, .50w	1
▽	6	1014268	(00000000-) Hose Assy, Drain, 1.50id X 27.0l, Blk (Solution Tank)	1
▲▽	7	1008639	(00000000-) Cap, Drain Assy	1
▲▲	8	1019563	(00000000-) Strap, Cap, Drain	1
▲▲	9	1008637	(00000000-) Seal, Org, 1.48id 1.76od	1
	10	11531	(00000000-) Clamp, Hose, Wormdrive, 1.06- 2.00d, .56w	1
	11	222793	(00000000-) Clip, Hanger, Hose, .38d Hole, Ss	2
	12	15675	(00000000-) Screw, Hex, M8 X 1.25 X 16, Ss	2

▽ ASSEMBLY

▲ INCLUDED IN ASSEMBLY

CIRCUIT BOARD GROUP



CIRCUIT BOARD GROUP

	Ref.	Part No.	Serial Number	Description	Qty.
▽	1	9012714	(00000000-) Controller Kit, Replmt, Ci [R14]	1
▲		27964	(00000000-) Strap, Static Ground, Disposable	1
▲	2	1016816	(00000000-) Pad, Thermal, Heat Sink	1
▲	3	1019218	(00000000-) Washer, Flat, 0.14b 0.31d .03, Nyl	4
▲	4	579211	(00000000-) Nut, Hex, Lock, M3 X 0.50, Ss	4
▲	5	1016825	(00000000-) Support, Circuitboard	2
▲	6	3701.6	(00000000-) Screw, Pan, #06- 32 X 0.38, Phl Ss Shtmtl	2
▲	7	07785	(00000000-) Nut, Hex, Std, M6 X 1.00, A2, Ss	4
▲	8	01684	(00000000-) Washer, Flat, 0.25, Ss	6
▲	9	32982	(00000000-) Washer, Lock, Int, 0.25	2
▲	10	55248	(00000000-) Mount, Cable Tie	1
▲	11	1017754	(00000000-) Panel Wldt, Cntrl	1
▲	12	1017880	(00000000-) Seal, Strip, Adh	1
▲	13	06922	(00000000-) Screw, Pan, M3 X 0.50 X 20, 4.8	4
	14	09740	(00000000-) Screw, Hex, M8 X 1.25 X 20, Ss	1
	15	01685	(00000000-) Washer, Flat, 0.31, Ss	1
	16	1017812	(00000000-) Cover, Panl, Ele	1
	17	76426	(00000000-) Washer, Sealing, 0.28b 0.75d Ss, Neo	6
	18	24199	(00000000-) Screw, Hex, M5 X 0.8 X 16, Ss	6
	19	1044984	(00000000-) Harness, Main [R14]	1
	20	1019083	(00000000-) Seal, Cut	1
	21	41141	(00000000-) Washer, Lock, Int- Ext, 0.31	1
	22	1016865	(00000000-) Cable, Ribbon, 90.6l	1

▽ ASSEMBLY

▲ INCLUDED IN ASSEMBLY

ELECTRICAL GROUP

Ref.	Part No.	Serial Number	Description	Qty.
1	391915	(00000000-) Harness, Chrgr [T7]	1
2	75939	(00000000-) Nut, Hex, Lock, #06- 32, NI	2
3	19064	(00000000-) Washer, Flat, #06	2
4	383722	(00000000-) Circuitbreaker, 15.0a	1
5	383720	(00000000-) Circuitbreaker, 05.0a	1
6	09146	(00000000-) Screw, Pan, M3 X 0.50 X 12, 4.8	4
7	377433	(00000000-) Gauge, Hourmeter, 12- 60vdc, Analog [10k]	1
8	222683	(00000000-) Gasket, Hourmeter	1
9	1035394	(00000000-) Washer, Flat, 0.17b 0.38d .04, Ss	2
10	579211	(00000000-) Nut, Hex, Lock, M3 X 0.50, Ss	2
11	54345	(00000000-) Grommet, Rbr, 1.62id, F/1.9h, .13 Matl	1
12	222290	(00000000-) Diode, Ele, Plug	2
13	1021531	(00000000-) Support Wldt, Actuator	1
14	25005	(00000000-) Screw, Pan, #06- 32 X 1.00, G1	2
15	09740	(00000000-) Screw, Hex, M8 X 1.25 X 20, Ss	5
16	1017218	(00000000-) Washer, Flat, 0.32b 1.00d .12, Ss	5
17	58670	(00000000-) Screw, Hex, .25- 20 X 0.50, NI	2
18	32982	(00000000-) Washer, Lock, Int, 0.25	4
19	32490	(00000000-) Washer, Flat, 0.25, Std	11
20	08713	(00000000-) Nut, Hex, Lock, M8 X 1.25, NI, Ss	1
21	69234	(00000000-) Clamp, Cable, Stl, 1.00d X 0.75w, 1hole	1
22	1020168	(00000000-) Molding, Afmkt, Trim, Pvc, .08 .11, 01ft	1
23	76062	(00000000-) Stand- Off, Wir, M6, Insulator, Panel	2
24	1017807	(00000000-) Rod, Thrd, Full, .25- 20 01.0l	2
25	391916	(00000000-) Harness, Power [T7]	1
26	32520	(00000000-) Nut, Hex, Jam, .25- 20	2
27	20170	(00000000-) Nut, Hex, Jam, .31- 24	2
28	32984	(00000000-) Washer, Lock, Int, 0.31	2
29	86379	(00000000-) Fuse, 100a 125volt 0.88 X 3.2l	1
30	02424	(00000000-) Relay, 24vdc, 100a, No [White]	1
31	01684	(00000000-) Washer, Flat, 0.25, Ss	2
32	08712	(00000000-) Nut, Hex, Lock, M6 X 1.00, Ss, NI	2
33	07514	(00000000-) Washer, Lock, Int, #10, Ss	2
34	01689	(00000000-) Nut, Hex, Std, #10- 32, Ss	2
35	579211	(00000000-) Nut, Hex, Lock, M3 X 0.50, Ss	2
36	601359	(00000000-) Plate, Backing, Switch	1
37	600437	(00000000-) Switch, Snap, 16a, Rlr	1

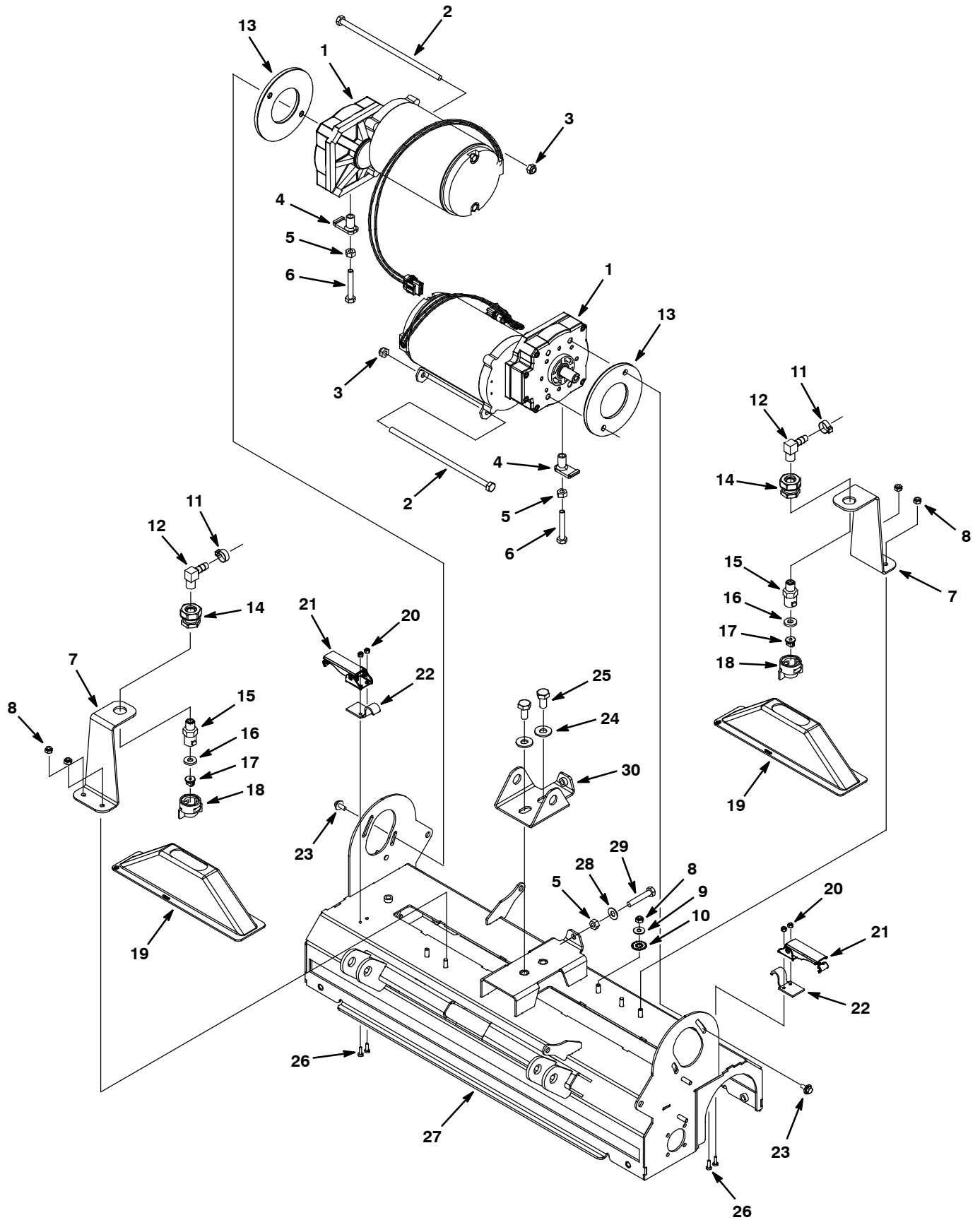
VACUUM FLOOR TOOL GROUP

Ref.	Part No.	Serial Number	Description	Qty.	
1	1009268	(00000000-) Actuator, 12vdc, 40mm Strk [750n]	1	
2	86866	(00000000-) Pin, Cotter, Hair, 0.38d .072 Wir	6	
3	94877	(00000000-) Pin, Clevis, 10mmd X 050mml	3	
4	51534	(00000000-) Pin, Clevis, 0.50d X 2.00l	1	
▽	5	1043939	(10419189-) Link Assy, Bellcrank, W/ Spring Relief	1
▲	6	1043604	(10419189-) Link, Floor Tool	1
▲	7	1030114	(00000000-) Screw, Shld, 10mmd X 40mml	1
▲	8	08713	(00000000-) Nut, Hex, Lock, M8 X 1.25, NI, Ss	1
9	1023886	(00000000-) Wldt, Frame, Split Lopro Floor Tool	1	
10	230363	(00000000-) Spacer, 0.33b 0.62d 0.16l, PI	4	
11	1015989	(00000000-) Pin, Hitch, .312d X 2.00l	4	
12	1026472	(00000000-) Hose, Vacuum, 1.50id X 012.2l, Blk	3	
13	1024285	(00000000-) Fitting, Hose, 1.51d [Wye]	1	
14	1025892	(00000000-) Spring, Cmpr, 24.64mm X 2.16w X 50.80l	4	
15	1022912	(00000000-) Plate, Cover, Carpet Tool [Lo- Pro]	2	
16	1025430	(00000000-) Gasket, Cover, Floor Tool	2	
17	1029957	(00000000-) Pin, Roll, .133d X 1.38l, Ss	4	
18	1027993	(00000000-) Clip, Cover, Vacuum	4	
19	1025564	(00000000-) Tool, Floor, Lo- Profile Machined	2	
20	1025455	(00000000-) Pin, Dowel, 08mmd	4	
21	601471	(00000000-) Pin, Clevis, 0.50d X 2.50l	2	
22	44961	(00000000-) Tie, Cable, Nyl, 14.5l .30w 4.0 Max D	2	
23	1043939	(00000000- 10419188) Link Assy, Bellcrank, W/ Spring Relief	1	

▽ ASSEMBLY

▲ INCLUDED IN ASSEMBLY

SCRUB HEAD GROUP



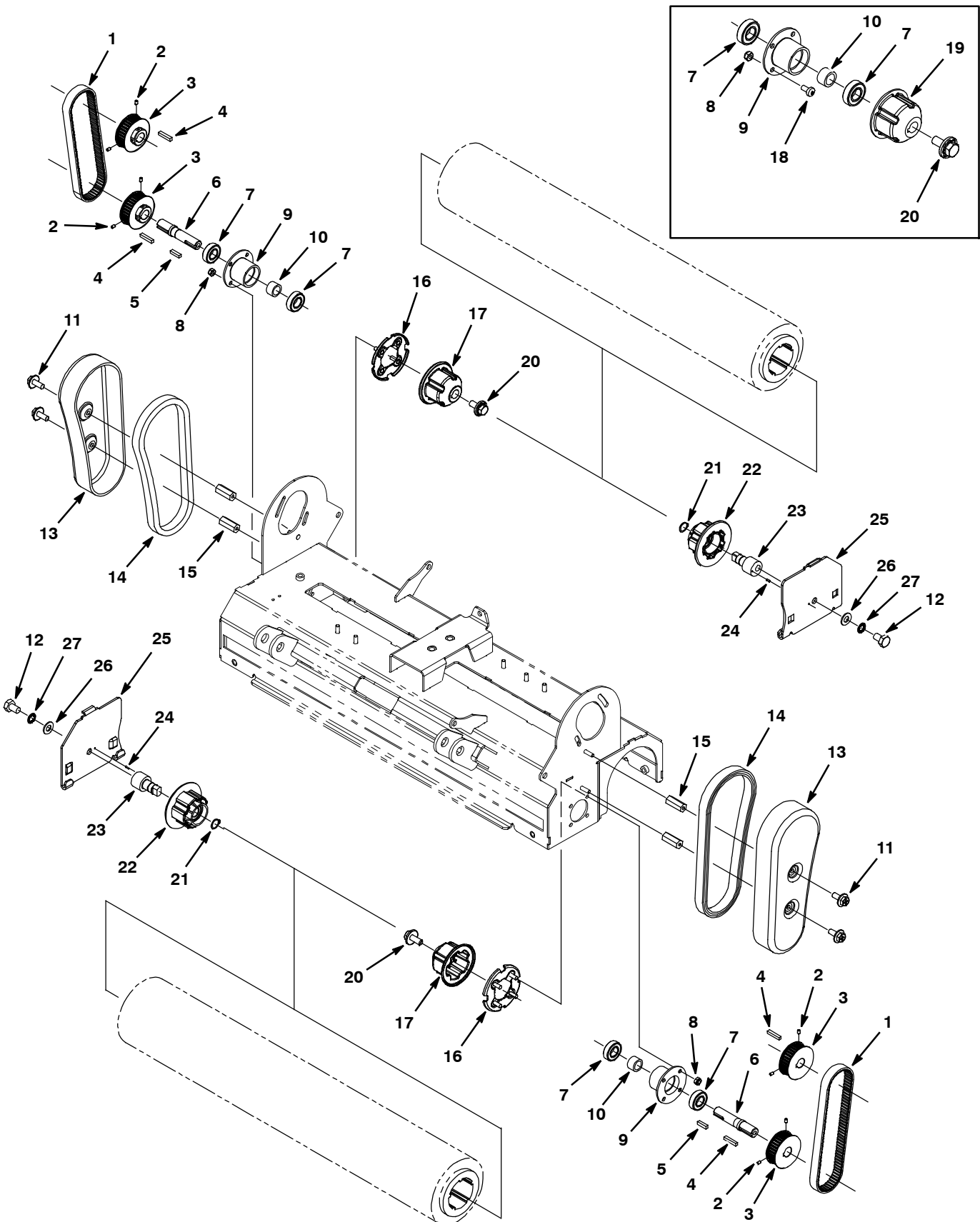
SCRUB HEAD GROUP

	Ref.	Part No.	Serial Number	Description	Qty.
▽	1	1068557	(10583279-) Motor Kit, Ele, 24vdc 0270rpm 0.50hp	2
▲	1	1066574	(10583279-) Vr, Brush Kit, Motor	2
	2	1070307	(10583279-) Bolt, Hex, M8- 1.25 X 220mm, Pln Gr8.8	2
▽	1	1023355	(00000000- 10583278)	Motor, Ele, 24vdc 0.50hp 0270rpm 20.0a (Replaced By 1068557)	2
▲	1	1034117	(00000000- 10583278)	Brush, Carbon, Motor, Ele	2
	2	1019942	(00000000- 10583278)	Screw, Hex, M8 X 1.25 X 210, 8.8	2
	3	08713	(00000000-) Nut, Hex, Lock, M8 X 1.25, NI, Ss	2
	4	1024008	(00000000-) Bracket, Lift, Motor Mount	2
	5	07786	(00000000-) Nut, Hex, Std, M8 X 1.25, Ss	3
	6	578717	(00000000-) Screw, Hex, M8 X 1.25 X 50, Ss	2
	7	1021224	(00000000-) Bracket, Mounting, Spray Nozzle	2
	8	08712	(00000000-) Nut, Hex, Lock, M6 X 1.00, Ss, NI	5
	9	01684	(00000000-) Washer, Flat, 0.25, Ss	1
	10	41141	(00000000-) Washer, Lock, Int- Ext, 0.31	1
	11	140301	(00000000-) Clamp, Hose, Ear, 0.62d	2
	12	150419	(00000000-) Fitting, Brs, E90, Bm06/Pm04 [Taped]	2
	13	1033039	(00000000-) Gasket, Motor, Brush, W/ Hdpe	2
	14	78122	(00000000-) Fitting, Brs, Str, Pf04/Pf04, Bh	2
	15	575281000	(00000000-) Fitting, Spray, Body [Quick- Jet]	2
	16	575276000	(00000000-) Fitting, Gasket [Quick- Jet]	2
	17	575283000	(00000000-) Fitting, Brs, Tip [11002, T- Jet]	2
	18	575282000	(00000000-) Fitting, Cap [Q- Jet]	2
	19	1021642	(00000000-) Shroud, Splash	2
	20	33932	(00000000-) Nut, Hex, Lock, M4 X 0.70, NI, Ss	4
	21	1006086	(00000000-) Latch [Over- Center]	2
	22	1017780	(00000000-) Clip, Hanger, Hose, .17d, 2hole	2
	23	1034731	(00000000-) Screw, Hex, M6 X 1.00 X 16, Ss, Sems	4
	24	01686	(00000000-) Washer, Flat, 0.44b 1.00d .08, Ss	2
	25	09291	(00000000-) Screw, Hex, M10 X 1.5 X 20, Ss	2
	26	579237	(00000000-) Screw, Pan, M4 X 0.7 X 12, Phl, Ss	4
	27	1020783	(00000000-) Housing Wldt	1
	28	140027	(00000000-) Washer, Flat, 0.35b 0.75d .04, Ss	1
	29	222505	(00000000-) Screw, Hex, M8 X 1.25 X 45, Ss	1
	30	1024184	(00000000-) Bracket, Lift [Manual Head Leveling]	1

▽ ASSEMBLY

▲ INCLUDED IN ASSEMBLY

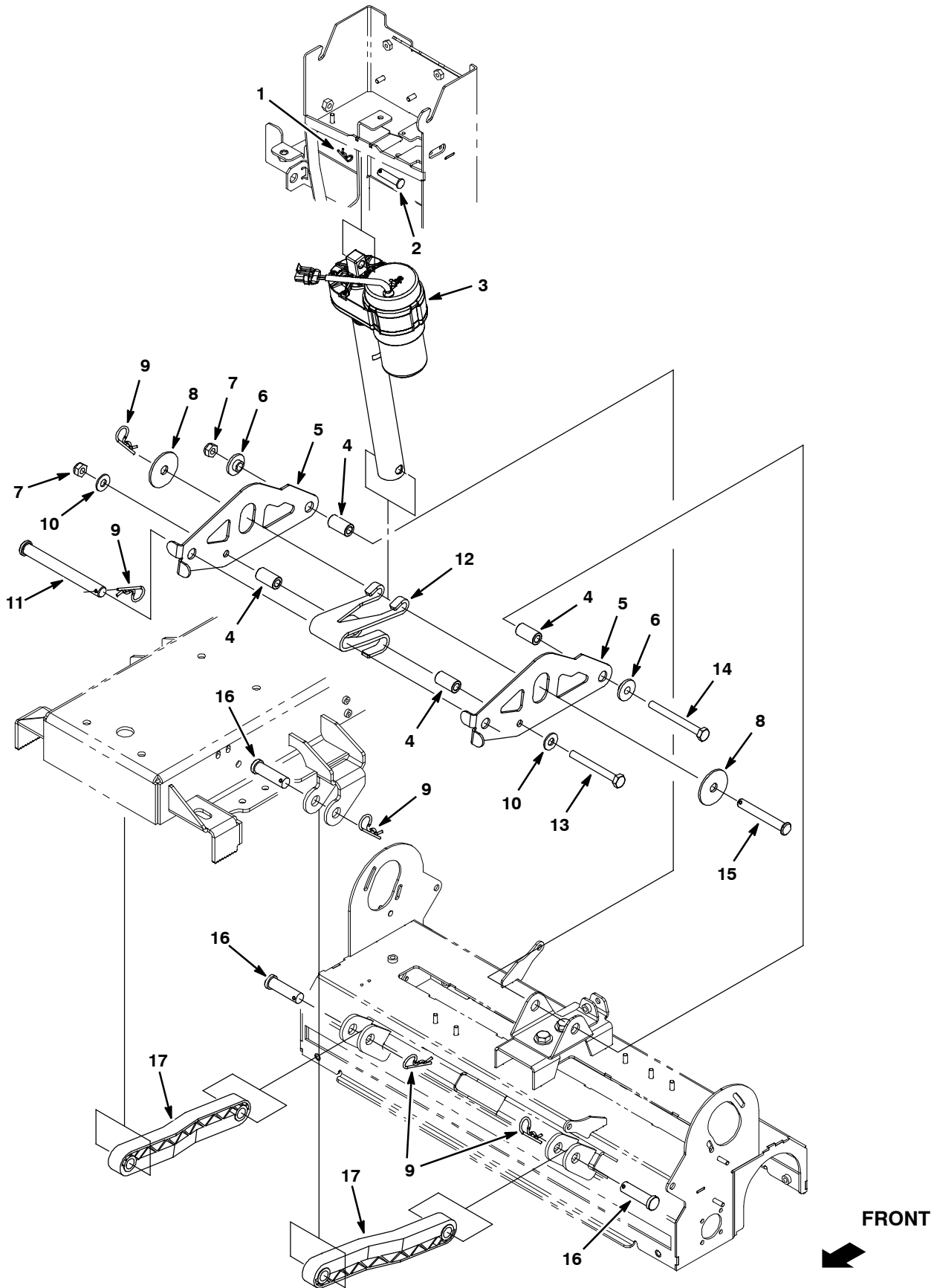
SCRUB HEAD GROUP - CONT'D



SCRUB HEAD GROUP - CONT'D

Ref.	Part No.	Serial Number	Description	Qty.
1	377500	(00000000-) Belt, Synchronous, 05mm 500l[05p,Plychn]	2
2	222818	(00000000-) Screw, Set, #08- 32 X 0.25, NI	8
3	1022407	(00000000-) Sprocket, Timing, 34tooth	4
4	00912	(00000000-) Key, Sq, 0.19 X 0.19, 1.00l	4
5	00911	(00000000-) Key, Sq, 0.19 X 0.19, 0.75l	2
6	1023435	(00000000-) Shaft, Drive	2
7	41360	(00000000-) Bearing, Ball, 0.59b 1.26d 0.35w[2seal]	4
8	08712	(00000000-) Nut, Hex, Lock, M6 X 1.00, Ss, NI	8
9	1001792	(00000000-) Housing, Brg	2
10	1002077	(00000000-) Tube, 0.59id 0.81od 00.5l	2
11	1034731	(00000000-) Screw, Hex, M6 X 1.00 X 16, Sems, Ss	4
12	140276	(00000000-) Screw, Hex, M10 X 1.5 X 16, Ss	2
13	1022557	(00000000-) Cover, Belt	2
14	1008675	(00000000-) Gasket, Edge, Foam, 24.00l [Fr]	2
15	1002078	(00000000-) Spacer, 0.50hex X 1.25l, M6 Thread Thru	4
16	1037864	(10423748-) Guard, Thread	2
17	1037873	(10423748-) Plug, Drive, Brush, Casting	2
18	363503	(00000000- 10423747) Screw, Pan, M6 X 1.0 X 12, Ss	8
19	9006405	(00000000- 10423747) R14 Drive Plug And Thread Guard	2
20	1020341	(00000000-) Screw, Hex, M8 X 1.25 X 20, Ss, Sems	2
21	01516	(00000000-) Ring, Retaining, Ext, 0.59d, Basic	2
22	1057629	(00000000-) Plug, Idler, Brush [Sgl Brg]	2
23	222177	(00000000-) Shaft, Plug, Idler	2
24	222184	(00000000-) Pin, Roll, .094d X 0.25l, .094/.097	2
25	1024808	(00000000-) Door, Rlr	2
26	32485	(00000000-) Washer, Flat, 0.38, Sae	2
27	43953	(00000000-) Washer, Lock, Int, 0.38, Ss	2

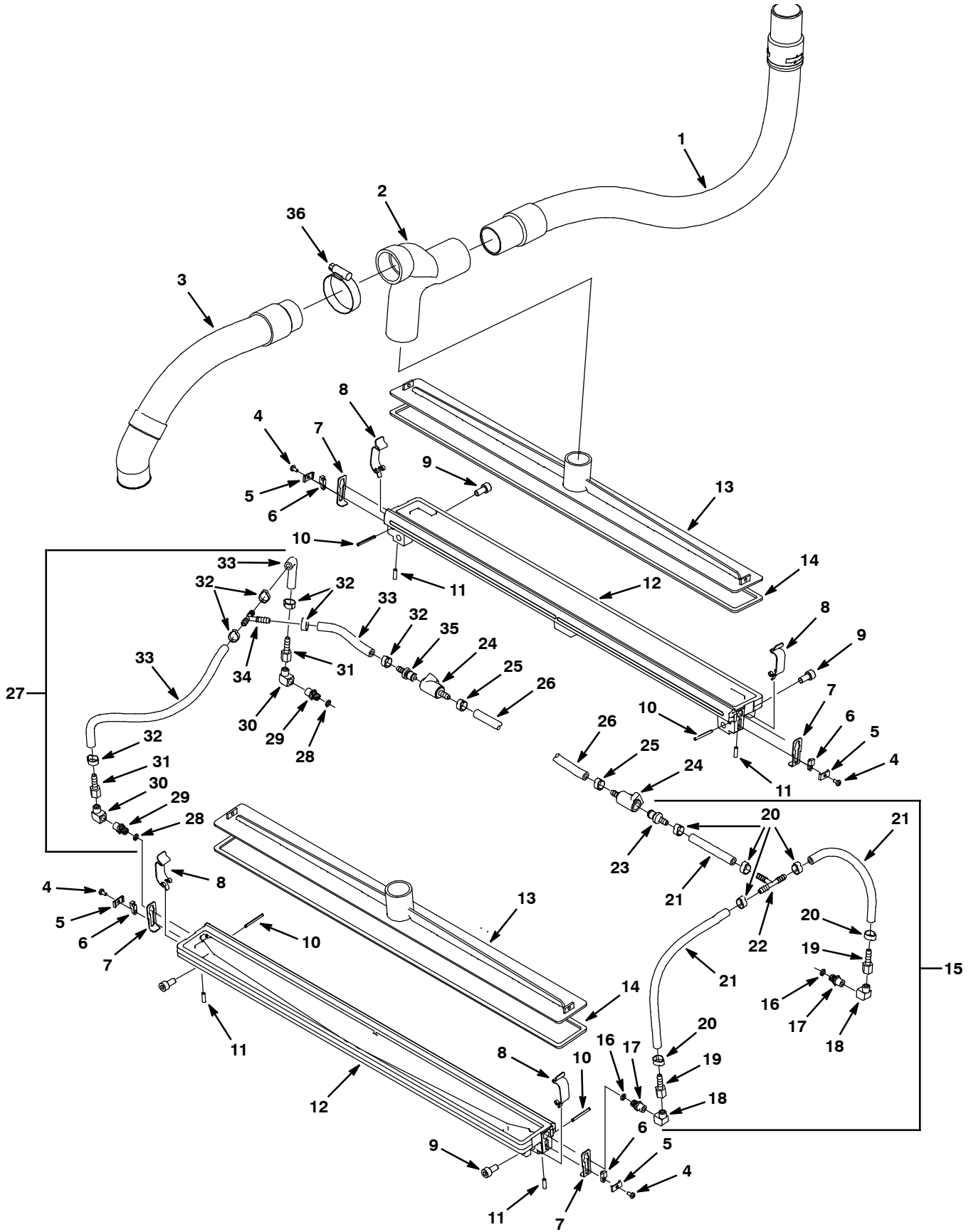
SCRUB HEAD LIFT GROUP



SCRUB HEAD LIFT GROUP

Ref.	Part No.	Serial Number	Description	Qty.
1	86866	(00000000-) Pin, Cotter, Hair, 0.38d .072 Wir	1
2	1009356	(00000000-) Pin, Clevis, 10mmd X 040mml	1
3	1056622	(00000000-) Actuator, 24vdc, 04.5strk, 0600lb	1
4	1013281	(00000000-) Sleeve, P/M, 0.41b 0.73d 1.3l [430 Ss]	4
5	1013278	(00000000-) Plate, Arm, Cntr, Lift, Scb Head	2
6	363087	(00000000-) Bushing, FIng, 0.44b 1.25d 0.25l	2
7	08714	(00000000-) Nut, Hex, Lock, M10 X 1.5, NI, Ss	2
8	57048	(00000000-) Washer, Flat, 0.53b 2.13d .11, Stl, Pl	2
9	02942	(00000000-) Pin, Cotter, Hair, 0.62d .120 Wir	6
10	01686	(00000000-) Washer, Flat, 0.44b 1.00d .08, Ss	2
11	1010401	(00000000-) Pin, Clevis, 16mmd X 150mml	1
12	1015413	(00000000-) Spring, Lift, Head, Scb	1
13	09746	(00000000-) Screw, Hex, M10 X 1.5 X 90, Ss	1
14	05631	(00000000-) Screw, Hex, M10 X 1.5 X 100, Ss	1
15	1013356	(00000000-) Pin, Clevis, 12mmd X 090mml	1
16	222210	(00000000-) Pin, Clevis, 0.62d X 2.12l	4
17	222027	(00000000-) Arm, Lift, Head [5700]	2

VACUUM SHOE AND SOLUTION FLUSH LINE GROUP



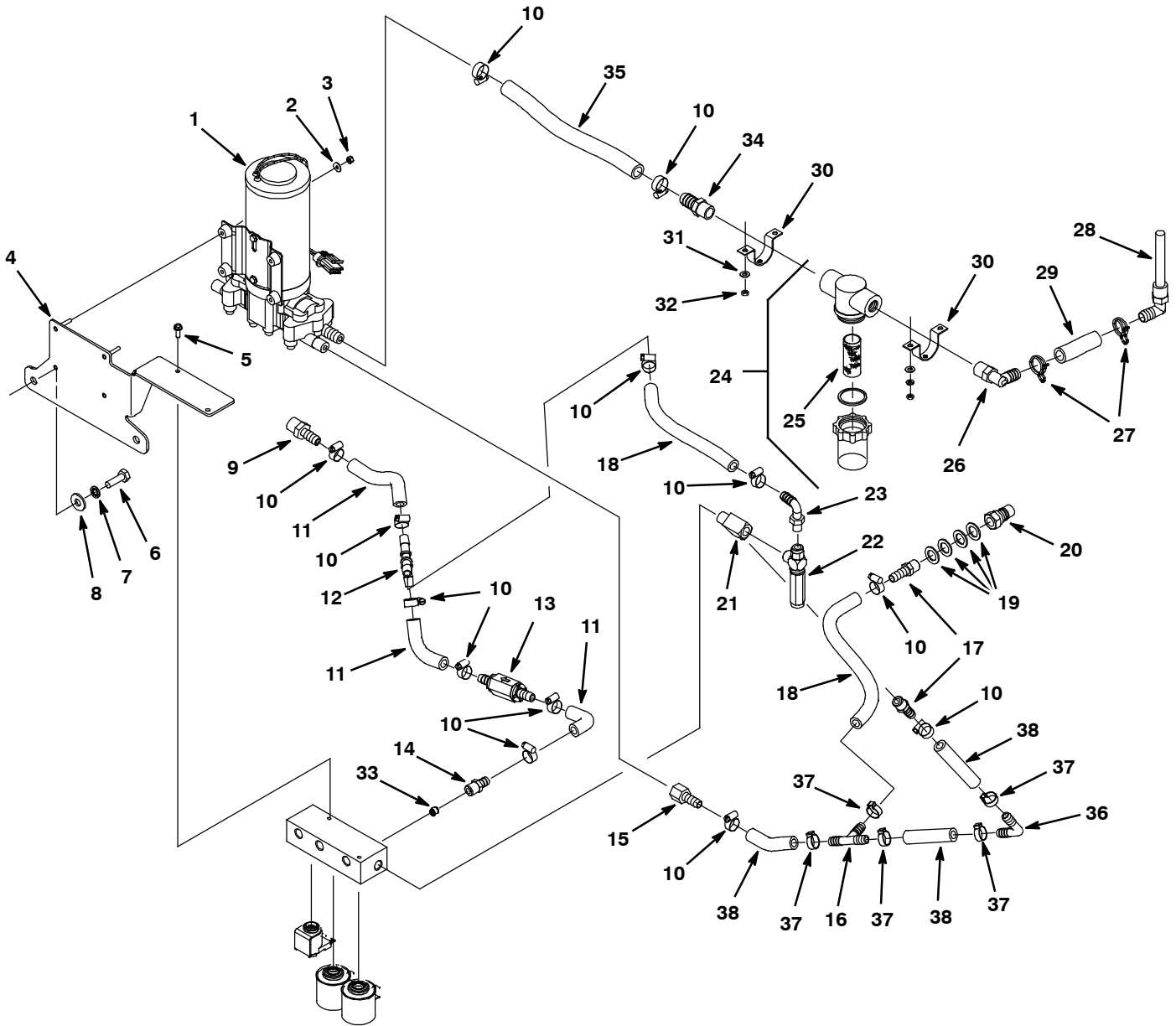
VACUUM SHOE AND SOLUTION FLUSH LINE GROUP

Ref.	Part No.	Serial Number	Description	Qty.	
1	1024248	(00000000-) Hose, Vacuum, 1.50id X 029.0l, 2cuff[Rs]	1	
2	1025842	(00000000-) Fitting, Pvc, Y, 1.50 Vacuum Hose]	1	
3	1025779	(00000000-) Hose, Vacuum, 1.50id X 017.0l, 2cuff	1	
4	49697	(00000000-) Screw, Pan, M4 X 0.7 X 10, Ss	4	
5	1017044	(00000000-) Retainer, Latch	4	
6	1017855	(00000000-) Key, Timing, Latch	4	
7	1017840	(00000000-) Latch, Retaining, Nozzle	4	
8	1027993	(00000000-) Clip, Cover, Vacuum	4	
9	49609	(00000000-) Screw, Soc, M8 X 1.25 X 16, 12.9	4	
10	1029957	(00000000-) Pin, Roll, .133d X 1.38l, Ss	4	
11	1017871	(00000000-) Spring, Cmpr, 0.2od .020wir 00.8l	4	
12	1023890	(00000000-) Tool, Vacuum, Str Rlr [Finish Mach'D]	2	
13	1023800	(00000000-) Cover, Tool, Str Roll Vacuum 700mm	2	
14	1021110	(00000000-) Gasket, Cover, Str Roll Vacuum Tool	2	
▽	15	9002902	(00000000-) Hose Assy, Lh, Afmkt [Gator]	1
▲	16	1017902	(00000000-) Seal, Org, .070 X 00.24id, 75d [Viton]	2
▲	17	1017841	(00000000-) Fitting, Brs, Tip, Spcl [2505 H1/8vv]	2
▲	18	150407	(00000000-) Fitting, Brs, E90, Pf02/Pm02 [Street]	2
▲	19	150520	(00000000-) Fitting, Brs, Str, Bm04/Pf02	2
▲	20	140325	(00000000-) Clamp, Hose, Ear, 0.50d, Ss	6
▲	21	9002916	(00000000-) Hose, Pvc, Gray, 0.25id 0.5od, 3l (160204)	1
▲	22	150713	(00000000-) Fitting, Plstc, Tee, Bm04/Bm04/Bm04	1
▲	23	1017317	(00000000-) Fitting, Plstc, Str, Bm04, Cplg, Mal	1
	24	1002898	(00000000-) Fitting, Plstc, Str, Bm04, Cplg, Fem	2
	25	140325	(00000000-) Clamp, Hose, Ear, 0.50d, Ss	2
	26	9002916	(00000000-) Hose, Pvc, Gray, 0.25id 0.5od, 3l (160204)	1
▽	27	9002901	(00000000-) Hose Assy, Rh, Afmkt [Gator]	1
▲	28	1017902	(00000000-) Seal, Org, .070 X 00.24id, 75d [Viton]	2
▲	29	1017841	(00000000-) Fitting, Brs, Tip, Spcl [2505 H1/8vv]	2
▲	30	150407	(00000000-) Fitting, Brs, E90, Pf02/Pm02 [Street]	2
▲	31	150520	(00000000-) Fitting, Brs, Str, Bm04/Pf02	2
▲	32	140325	(00000000-) Clamp, Hose, Ear, 0.50d, Ss	6
▲	33	9002916	(00000000-) Hose, Pvc, Gray, 0.25id 0.5od, 3l (160204)	1
▲	34	150713	(00000000-) Fitting, Plstc, Tee, Bm04/Bm04/Bm04	1
▲	35	1017317	(00000000-) Fitting, Plstc, Str, Bm04, Cplg, Mal	1
	36	11531	(00000000-) Clamp, Hose, Wormdrive, 1.06- 2.00d, .56w	1

▽ ASSEMBLY

▲ INCLUDED IN ASSEMBLY

SOLUTION GROUP



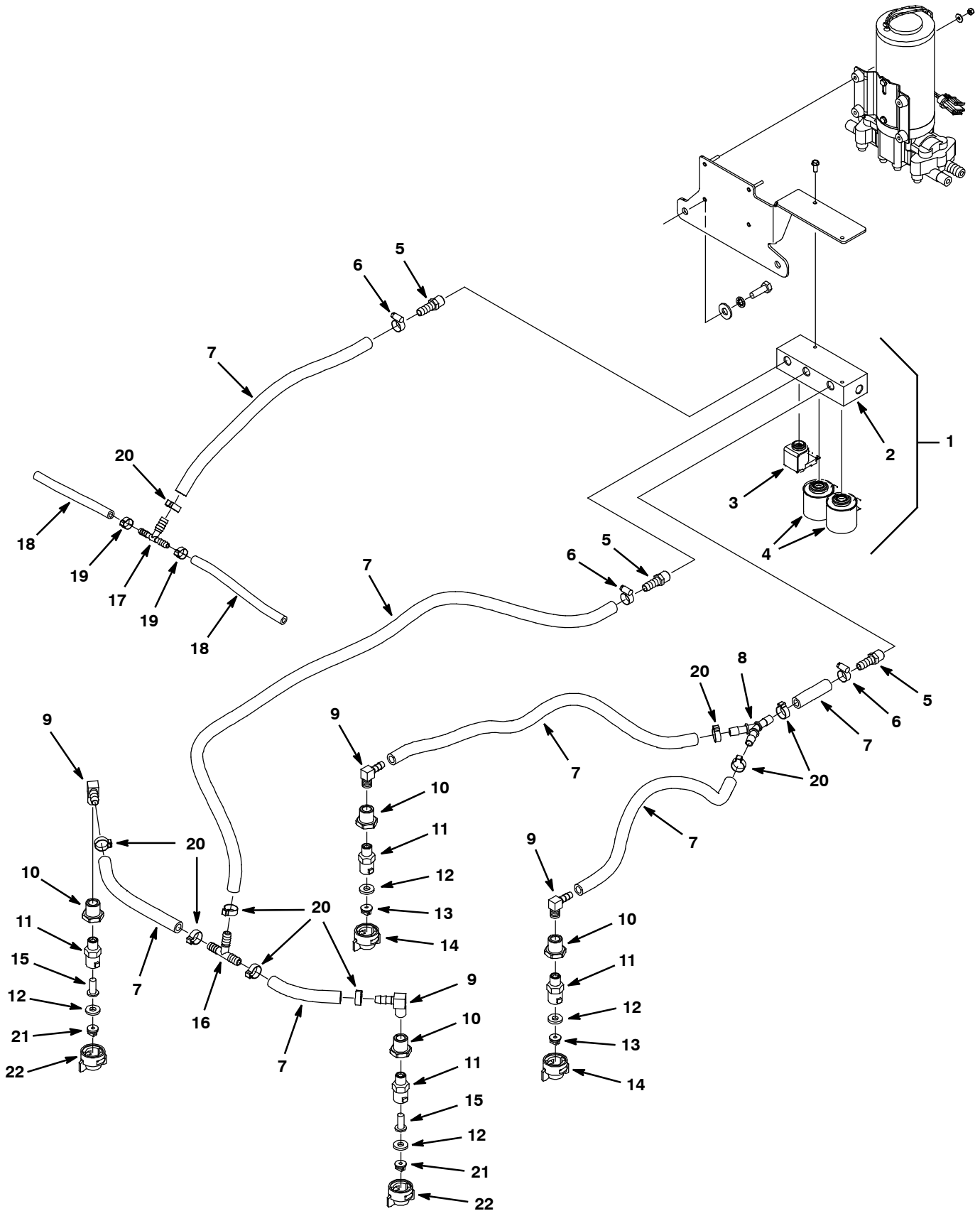
SOLUTION GROUP

Ref.	Part No.	Serial Number	Description	Qty.
1	1022343	(00000000-) Pump, Water, 24vdc, 2.0gpm 250psi (See Breakdowns)	1
2	578186000	(00000000-) Washer, Flat, M4, PI	4
3	33932	(00000000-) Nut, Hex, Lock, M4 X 0.70, NI, Ss	4
4	1024596	(00000000-) Bracket, Mount, Manifold / Pump	1
5	140751	(00000000-) Screw, Hex, #10- 32 X 0.50, PI	2
6	09740	(00000000-) Screw, Hex, M8 X 1.25 X 20, Ss	2
7	43952	(00000000-) Washer, Lock, Int, 0.31, Ss	2
8	01685	(00000000-) Washer, Flat, 0.31, Ss	2
9	61118	(00000000-) Fitting, Plstc, Str, Bm06/Pm06, Nyl	1
10	54333	(00000000-) Clamp, Hose, Wormdrive, 0.31- 0.88d, .31w	13
11	9002921	(00000000-) Hose, Pvc, Wir, 0.38id 0.62 Od, Clr, 36l (611261)	1
12	1017255	(00000000-) Fitting, Plstc, Y, Bm06/Bm06/Bm06, Nyl	1
13	210044	(00000000-) Valve, Check, 0001psi Bm06/Bm06	1
14	150016	(00000000-) Fitting, Brs, Str, Bm06/Pf02, Spcl	1
15	150511	(00000000-) Fitting, Brs, Str, Bm06/Pf04	1
16	160310	(00000000-) Fitting, Plstc, Tee, Bm06/Bm06/Bm06	1
17	150516	(00000000-) Fitting, Brs, Str, Bm06/Pm05	2
18	9002920	(00000000-) Hose, Pvc, Brd, 0.38id 0.62 Od, 36l (160207)	1
19	140058	(00000000-) Washer, Flat, 0.54b 0.88d .06, Ss [Wand]	4
20	150933	(00000000-) Fitting, Brs, Qdc, Pm04 [Ser60]	1
21	150709	(00000000-) Fitting, Brs, Tee, Pm04/Pf04/Pf04, Run	1
22	210211	(00000000-) Valve, Water, Relief, Press, 050- 450psi	1
23	1005564	(00000000-) Fitting, Plstc, E90, Bm06/Pm02, Nyl	1
▽	24	1007428	(00000000-) Filter, Screen, 080 Mesh, Ss Bowl, Pf06	1
▲	25	180632	(00000000-) Filter, Screen, In- Line Strainer	1
26	1017532	(00000000-) Fitting, Plstc, E90, Bm08/Pm06	1
27	607776	(00000000-) Clamp, Hose, Wir, .73 - .77, Silver	2
28	1006924	(00000000-) Filter, Soltn, W/ E90 Ftg	1
29	9002922	(00000000-) Hose, Pvc, Clr, 0.50id 0.75od, 36l	1
30	605056	(00000000-) Bracket, Mtg, Fltr	2
31	140011	(00000000-) Washer, Flat, 0.21b 0.45d .03, Ss	2
32	09739	(00000000-) Nut, Hex, Lock, M5 X 0.80, NI, Ss	2
33	1013823	(00000000-) Plug, Pipe, Ss 1/8npt W/ Hole	1
34	64743	(00000000-) Fitting, Plstc, Str, Bm08/Pm06	1
35	9002995	(00000000-) Hose, Pvc, Wir, 0.50id 0.75od, 36l Clr	1
36	20951	(00000000-) Fitting, Plstc, E90, Bm06/Bm06	1
37	140301	(00000000-) Clamp, Hose, Ear, 0.62d	5
38	613482	(00000000-) Hose, Pvc, Brd, 0.38id 0.62od 12.0l, Gray (160207)	1

▽ ASSEMBLY

▲ INCLUDED IN ASSEMBLY

SOLUTION GROUP - CONT'D



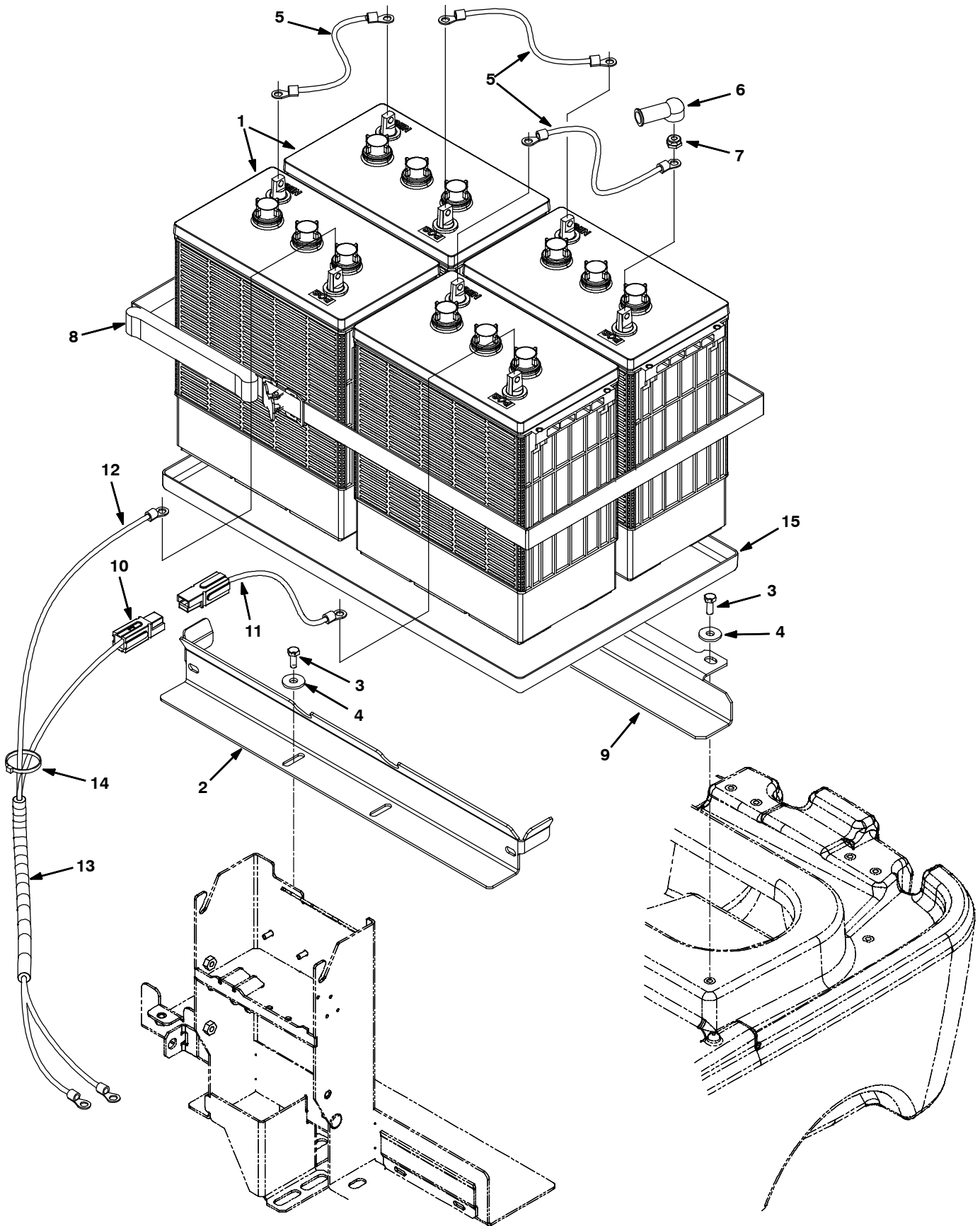
SOLUTION GROUP - CONT'D

	Ref.	Part No.	Serial Number	Description	Qty.
▽	1	1023693	(00000000-) Valve, Solenoid 24v, 3 Station	1
▲	2	1034116	(00000000-) Block, Manifold Afmkt	1
▲▽	3	1034114	(00000000-) Valve, Solenoid Series 3, 24v, Afmkt	1
▲▲	3	1034115	(00000000-) Seal, Org, Solenoid, Series 3, Afmkt	1
▲▽	4	1034112	(00000000-) Valve, Solenoid Series 6, 24v, Afmkt	2
▲▲	4	1034113	(00000000-) Seal, Org, Solenoid, Series 6, Afmkt	2
	5	150516	(00000000-) Fitting, Brs, Str, Bm06/Pm05	3
	6	54333	(00000000-) Clamp, Hose, Wormdrive, 0.31- 0.88d, .31w	4
	7	9002920	(00000000-) Hose, Pvc, Brd, 0.38id 0.62 Od, 36l	1
	8	1017255	(00000000-) Fitting, Plstc, Y, Bm06/Bm06/Bm06, Nyl	1
	9	150419	(00000000-) Fitting, Brs, E90, Bm06/Pm04 [Taped]	4
	10	78122	(00000000-) Fitting, Brs, Str, Pf04/Pf04, Bh	4
	11	575281000	(00000000-) Fitting, Spray, Body [Quick- Jet]	4
	12	575276000	(00000000-) Fitting, Gasket [Quick- Jet]	4
	13	575283000	(00000000-) Fitting, Brs, Tip [11002, T- Jet]	2
	14	575282000	(00000000-) Fitting, Cap [Q- Jet]	2
	15	575603	(00000000-) Filter, Screen, 024 Mesh, Check Valve	2
	16	160310	(00000000-) Fitting, Plstc, Tee, Bm06/Bm06/Bm06	1
	17	1014441	(00000000-) Fitting, Plstc, Tee, Bm04/Bm04/Bm06, Br	1
	18	9002916	(00000000-) Hose, Pvc, Gray, 0.25id 0.5od, 3l	1
	19	140325	(00000000-) Clamp, Hose, Ear, 0.50d, Ss	2
	20	140301	(00000000-) Clamp, Hose, Ear, 0.62d	8
	21	1022378	(00000000-) Fitting, Brs, Tip [11006e, Unijet]	2
	22	1022715	(00000000-) Cap, White [Quick- Jet]	2

▽ ASSEMBLY

▲ INCLUDED IN ASSEMBLY

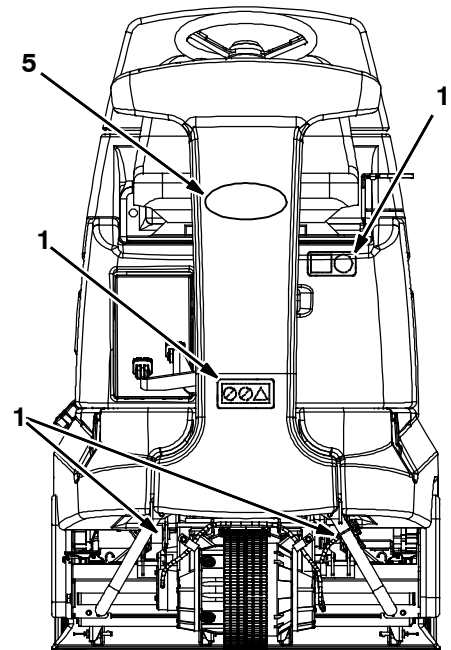
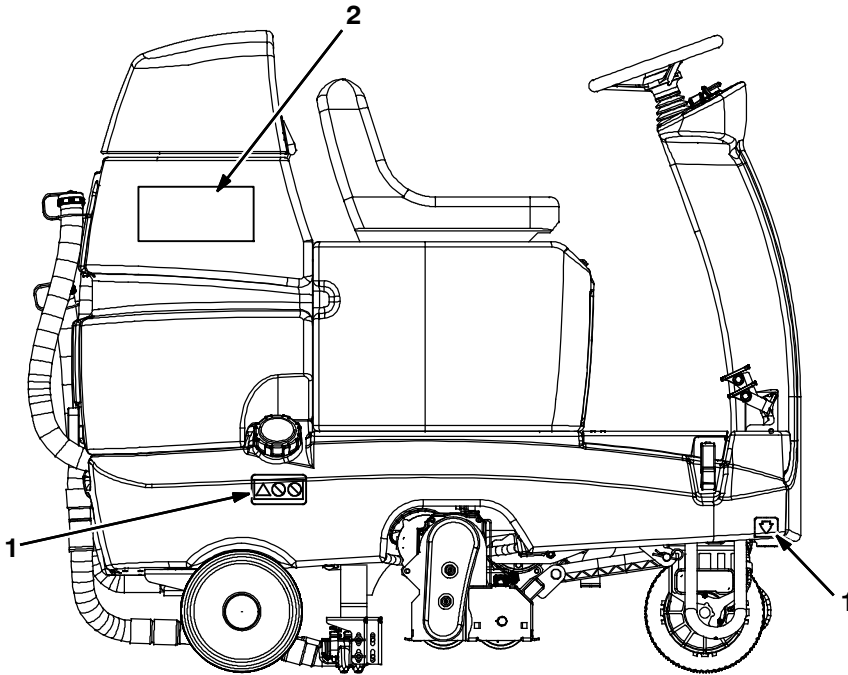
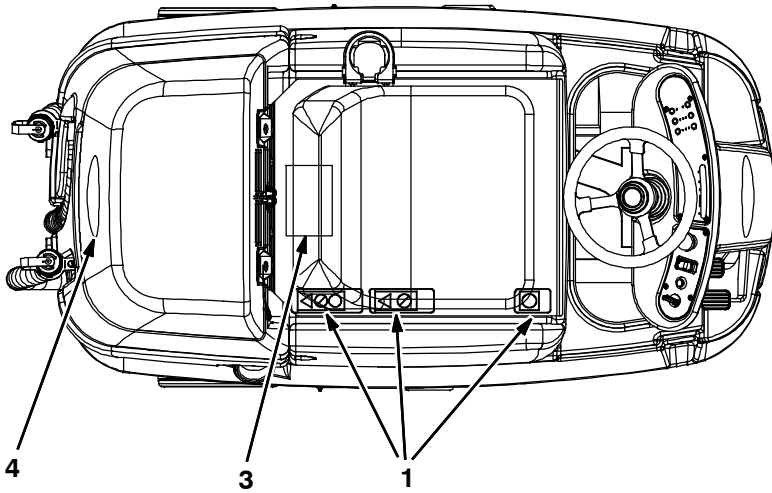
BATTERY GROUP, 360Ah



BATTERY GROUP, 360Ah

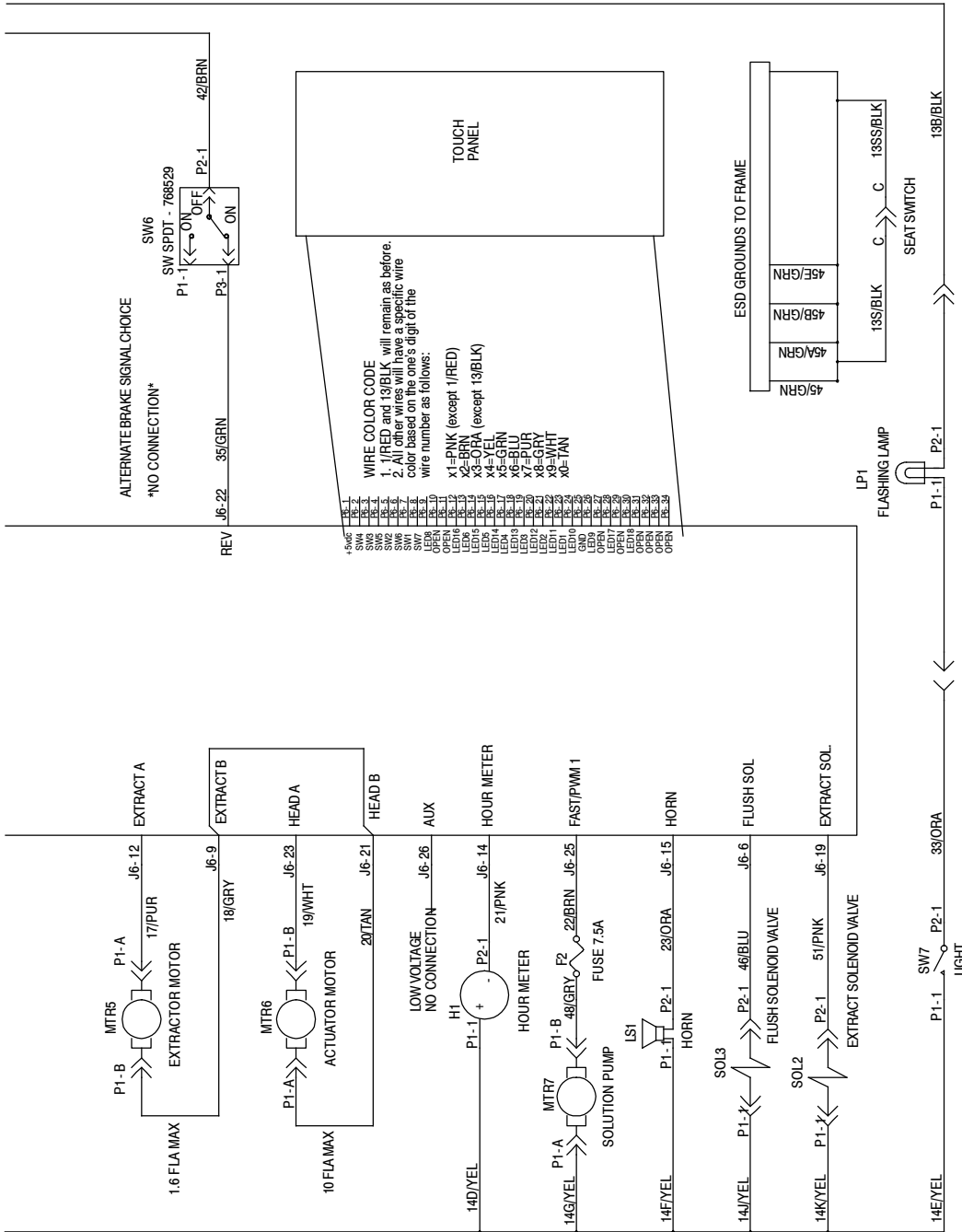
Ref.	Part No.	Serial Number	Description	Qty.
1	1070587	(00000000-) Battery, Wet, 06vdc, 0360ah, W/ Carton	4
2	1015039	(00000000-) Bracket, Battery	1
3	15675	(00000000-) Screw, Hex, M8 X 1.25 X 16, Ss	4
4	1017218	(00000000-) Washer, Flat, 0.32b 1.00d .12, Ss	4
5	223356	(00000000-) Cable, 04ga 12.0l Blk .34ring /.34ring	3
6	611221	(00000000-) Boot, Terminal, Battery, 25.4mm, Blk	8
7	87435	(00000000-) Nut, Hex, Flexlock, .31- 18	8
8	222682	(00000000-) Strap, Poly, Webbing 1.0 X 100.0	1
9	1010771	(00000000-) Angle, Sppt, Battery	1
10	397907	(00000000-) Cable, 04ga 30.0l Red .34ring / [Pp120]	1
11	397908	(00000000-) Cable, 04ga 08.0l Red .34ring / [Pp120]	1
12	223364	(00000000-) Cable, 04ga 18.0l Blk .34ring /.34ring	1
13	1020105	(00000000-) Sleeve, Afmkt, Nyl, #13, 01ft	1
14	49263	(00000000-) Tie, Cable, Nyl, 11.4l .19w 3.0 Max D	4
15	1025155	(00000000-) Tray, Battery, 605x370x25	1

LABEL GROUP



Ref.	Part No.	Serial Number	Description	Qty.
1	1015167	(00000000-) Label Set, Info/Hzrd	1
2	1025592	(00000000-) Label, Model, Side, White [R14] (Teal)	2
2	1035025	(00000000-) Label, Model, Side, Gray [Aramark R14]	2
3	1026686	(00000000-) Label, Battery, Diagram 335 Ah	1
4	1047747	(00000000-) Label, Logo, 06.9l White / Hg [Tennant]	1
5	1047746	(00000000-) Label, Logo, 06.9l White / TI [Tennant]	1

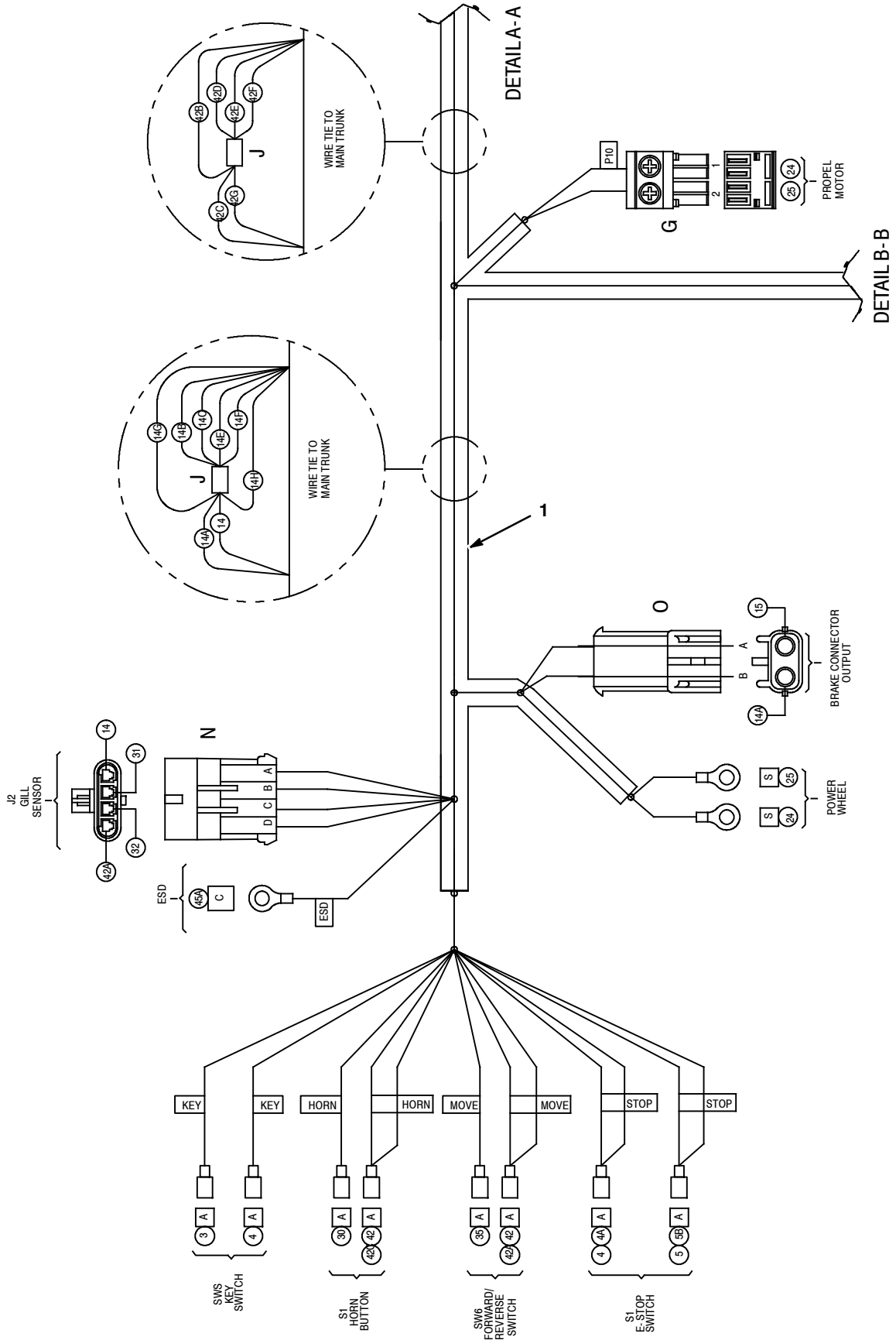
ELECTRICAL DIAGRAM



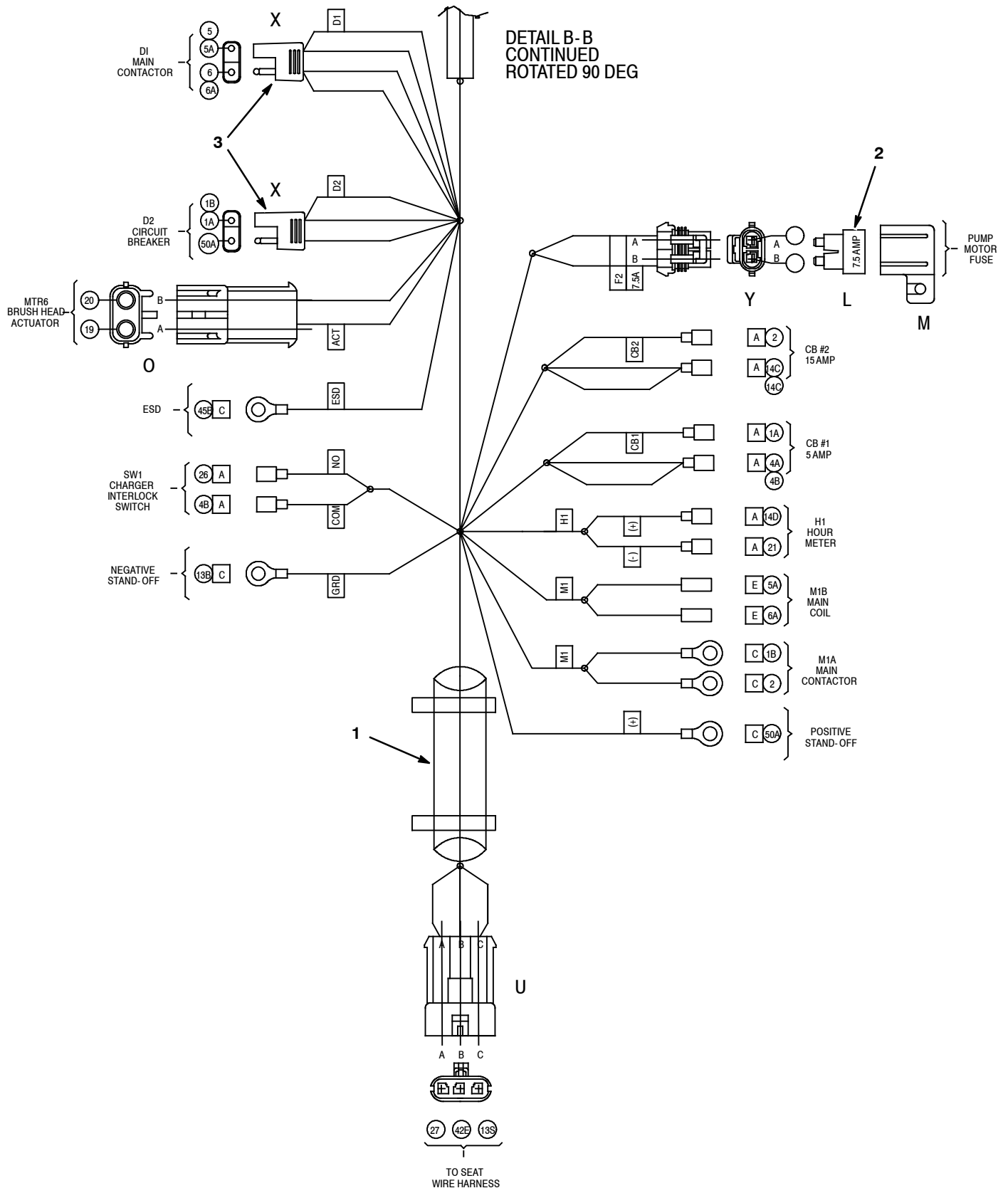
LEGEND

- | | | |
|---------------------------|-----------------------------|---------------------------------|
| CB1 = CIRCUIT BREAKER 5A | MTR2 = FRONT BRUSH MOTOR | SOL3 = FLUSH SOLENOID VALVE |
| CB2 = CIRCUIT BREAKER 15A | MTR3 = REAR BRUSH MOTOR | SW1 = CHRGR INTRLCK SWITCH |
| D1 = DIODE | MTR4 = VACUUM MOTOR 1 | SW2 = SEAT SWITCH |
| D2 = DIODE | MTR5 = EXTRACTOR MOTOR (PM) | SW3 = SOL REC FULL FLOAT SWITCH |
| F1 = FUSE 100A | MTR6 = ACTUATOR MOTOR (PM) | SW4 = SOL LOW FLOAT SWITCH |
| F2 = FUSE 7.5A | MTR7 = SOLUTION PUMP | SW5 = KEY SWITCH |
| H1 = HOUR METER | MTR9 = VACUUM MOTOR 2 | SW6 = DIRECTIONAL SWITCH |
| LP1 = FLASHING LAMP | S1 = EMERGENCY SWITCH | SW7 = LIGHT SWITCH |
| LS1 = HORN | S2 = HORN SWITCH PUSH BTN | U1 = CONTROL BOARD |
| M1A = CONTACTOR | SOL1 = RS SOLENOID VALVE | U2 = GILL SENSOR |
| MTR1A = PROPEL MOTOR | SOL2 = EXTR SOLENOID VALVE | |
| MTR1B = PARKING BRAKE | | |

ELECTRICAL WIRE HARNESS GROUP - SECTION 1 OF 5



ELECTRICAL WIRE HARNESS GROUP - SECTION 2 OF 5

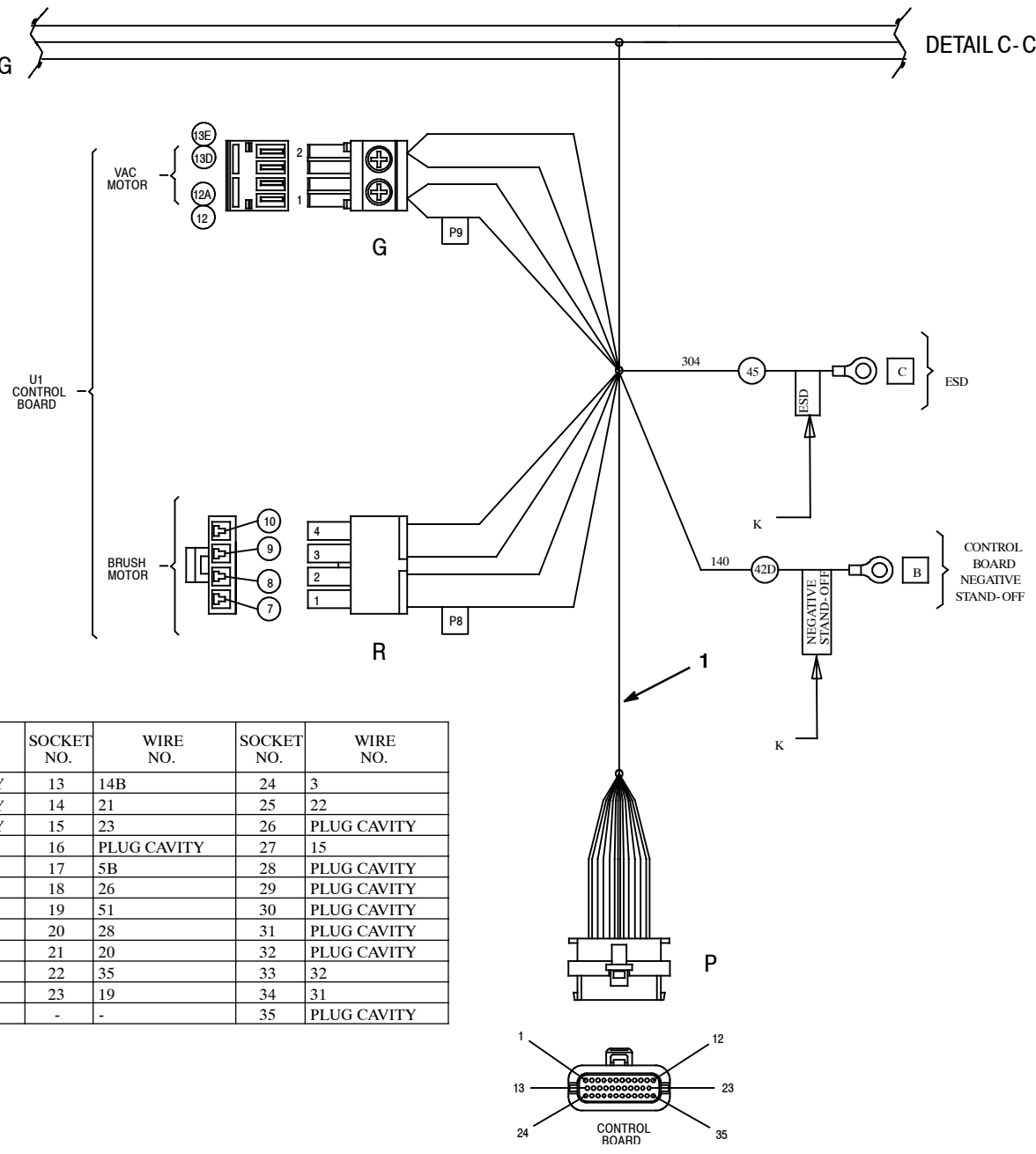


STANDARD PARTS

ELECTRICAL WIRE HARNESS GROUP - SECTION 3 OF 5 (S/N 10389602-)

DETAIL A-A
CONTINUED
ROTATED 90 DEG

DETAIL C-C



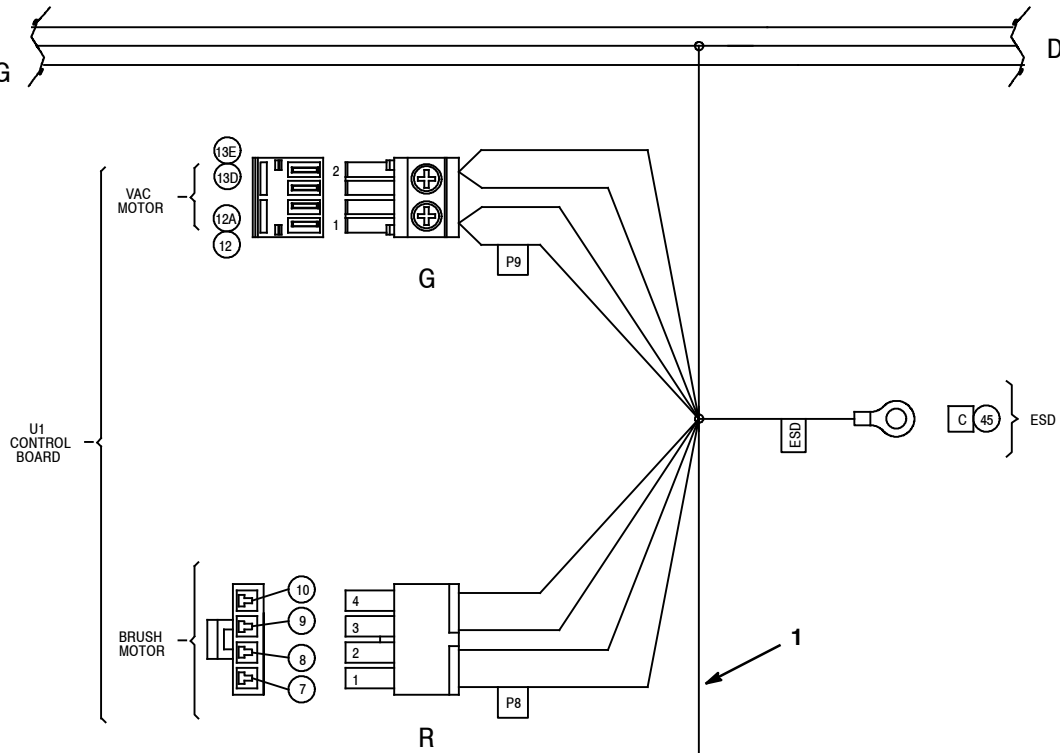
SOCKET NO.	WIRE NO.	SOCKET NO.	WIRE NO.	SOCKET NO.	WIRE NO.
1	PLUG CAVITY	13	14B	24	3
2	PLUG CAVITY	14	21	25	22
3	PLUG CAVITY	15	23	26	PLUG CAVITY
4	16	16	PLUG CAVITY	27	15
5	6	17	5B	28	PLUG CAVITY
6	46	18	26	29	PLUG CAVITY
7	27	19	51	30	PLUG CAVITY
8	29	20	28	31	PLUG CAVITY
9	18	21	20	32	PLUG CAVITY
10	30	22	35	33	32
11	47	23	19	34	31
12	17	-	-	35	PLUG CAVITY

Ref.	Part No.	Serial Number	Description	Qty.
▽	1	1044984	(10389602-) Harness, Main [R14]	1
▲	2	1016039	(00000000-) Fuse, Blade, 007.5a, 32vdc	1
▲	3	222290	(00000000-) Diode, Ele, Plug	2

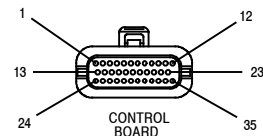
▽ ASSEMBLY
▲ INCLUDED IN ASSEMBLY

ELECTRICAL WIRE HARNESS GROUP - SECTION 3 OF 5 (S/N 0000000- 10389601)

DETAIL A-A CONTINUED ROTATED 90 DEG DETAIL C-C



SOCKET NO.	WIRE NO.	SOCKET NO.	WIRE NO.	SOCKET NO.	WIRE NO.
1	PLUG CAVITY	13	14B	24	3
2	PLUG CAVITY	14	21	25	22
3	PLUG CAVITY	15	23	26	PLUG CAVITY
4	16	16	PLUG CAVITY	27	15
5	6	17	5B	28	PLUG CAVITY
6	46	18	26	29	PLUG CAVITY
7	27	19	51	30	PLUG CAVITY
8	29	20	28	31	PLUG CAVITY
9	18	21	20	32	PLUG CAVITY
10	30	22	35	33	32
11	47	23	19	34	31
12	17	-	-	35	42D

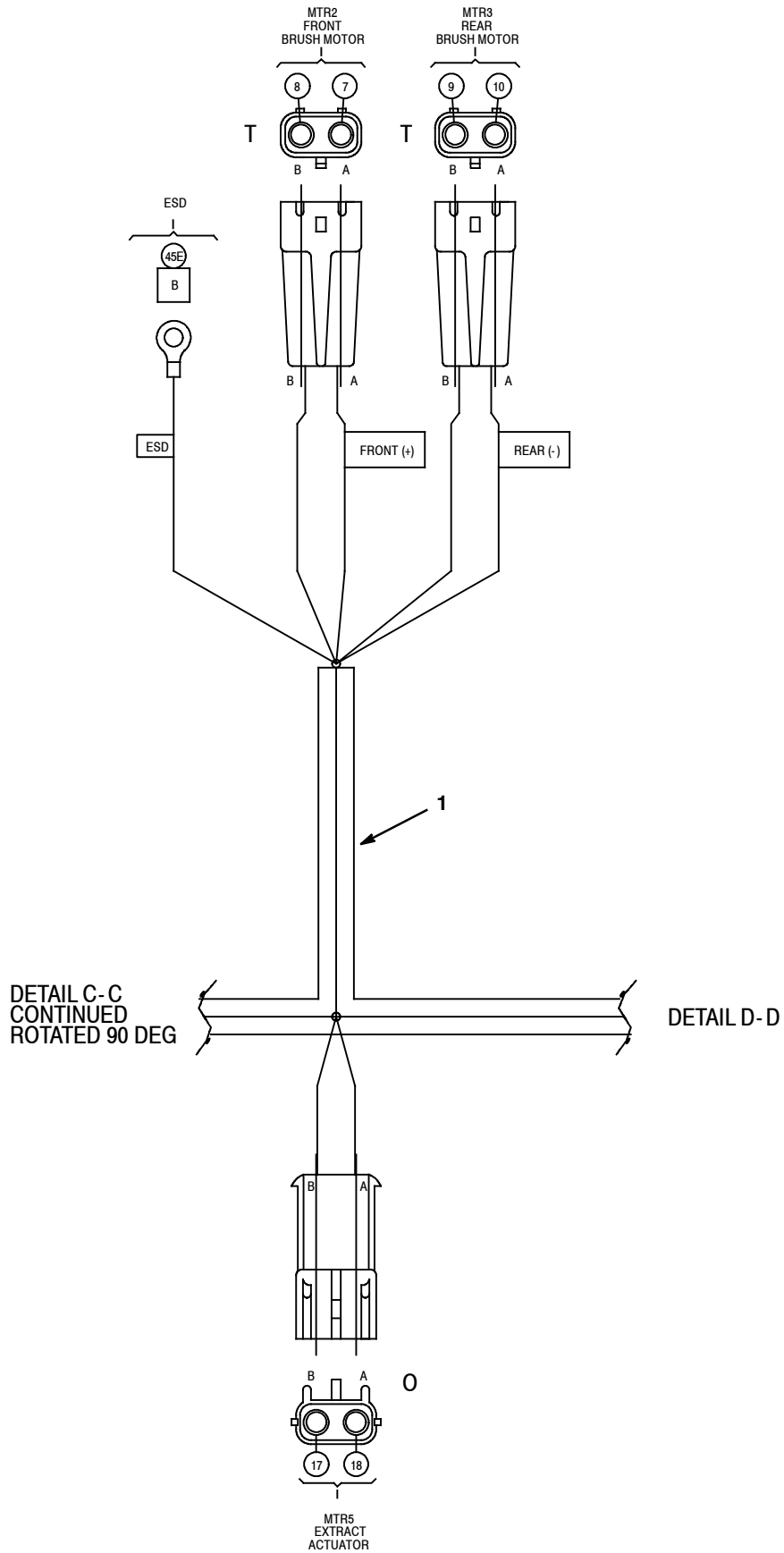


Ref.	Part No.	Serial Number	Description	Qty.
▽	1	1025451	(00000000- 10389601) Harness, Main Rep.By 1044984	1
▲	2	1016039	(00000000-) Fuse, Blade, 007.5a, 32vdc	1
▲	3	222290	(00000000-) Diode, Ele, Plug	2

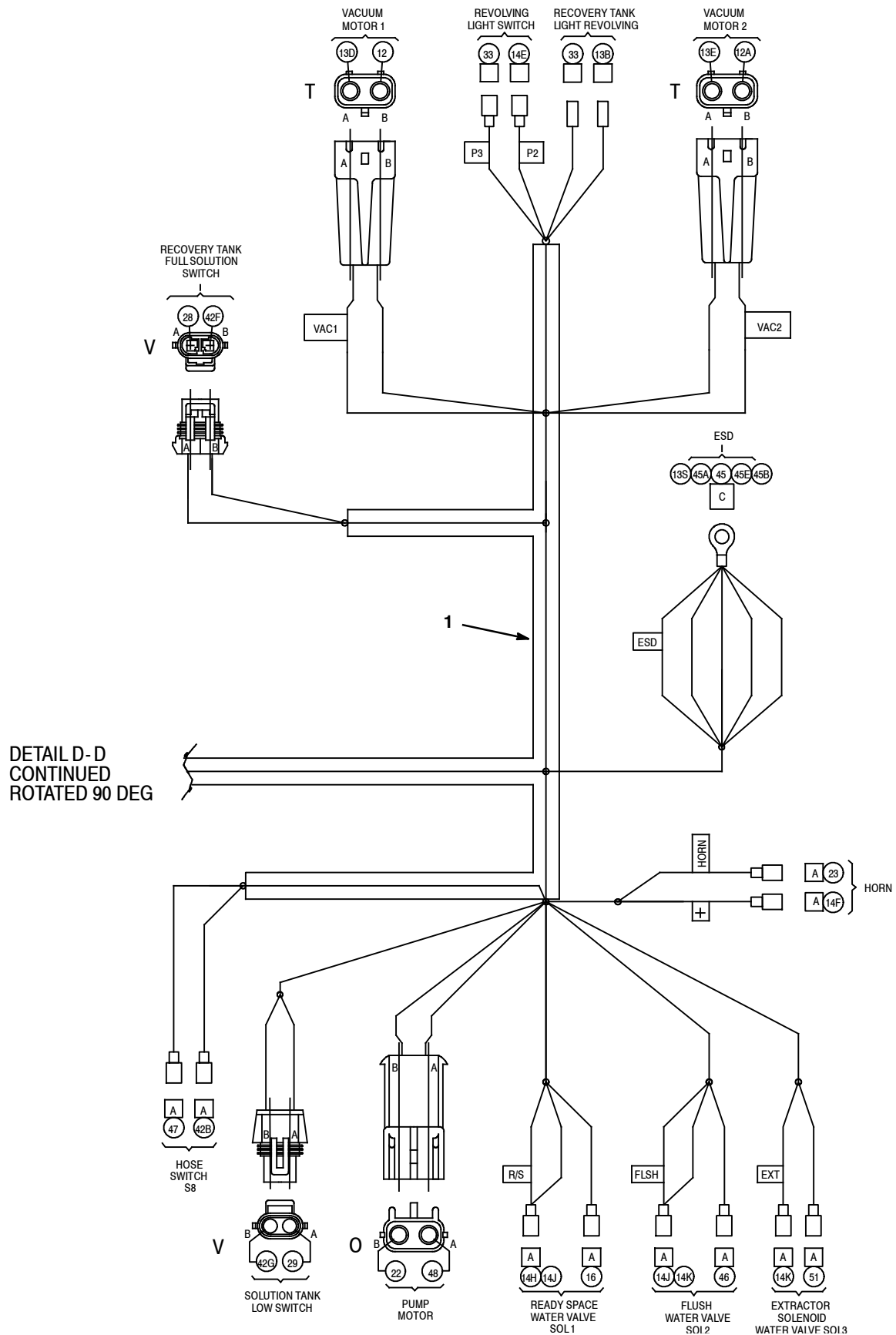
▽ ASSEMBLY

▲ INCLUDED IN ASSEMBLY

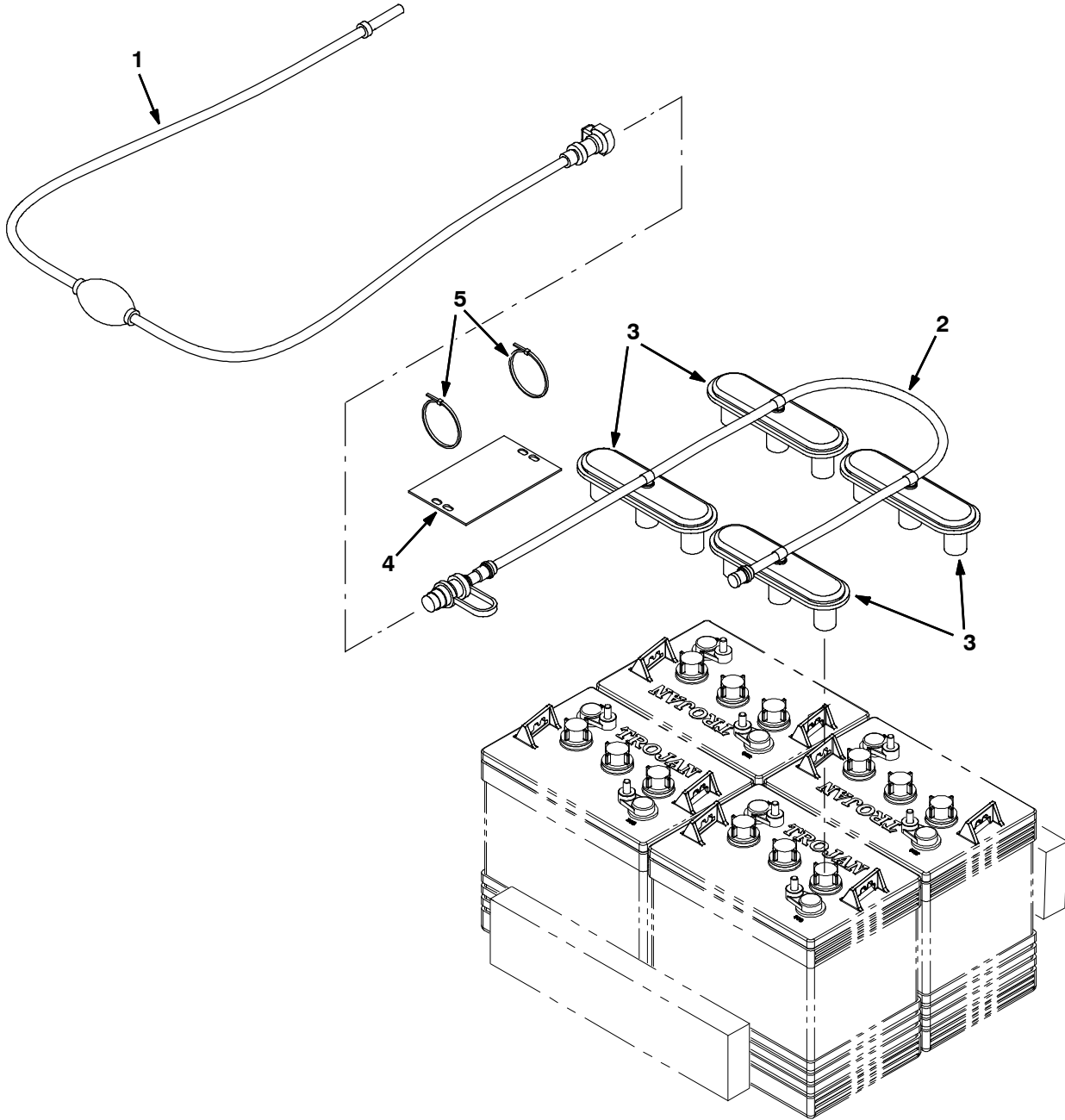
ELECTRICAL WIRE HARNESS GROUP - SECTION 4 OF 5



ELECTRICAL WIRE HARNESS GROUP - SECTION 5 OF 5



HYDROLINK® BATTERY WATERING SYSTEM KIT



Ref.	Part No.	Serial Number	Description	Qty.
▽	9010300	(00000000-)	Pump Kit, Fill, Battery,24vdc,Ci[Trojan]	1
▲ 1	1058939	(00000000-)	Pump Kit, Fill, Battery	1
▲ 2	1070394	(00000000-)	Tube, Water, Battery, 24vdc [Trojan]	1
▲ 3	1204142	(00000000-)	Cap, Fill, Battery [Trojan]	4
▲ 4	1071084	(00000000-)	Label, Tag, Battery [Hydrolink Watering]	1
▲ 5	130773	(00000000-)	Tie, Cable, Nyl, 11.0l, .14w, 3.0 Max. D	2

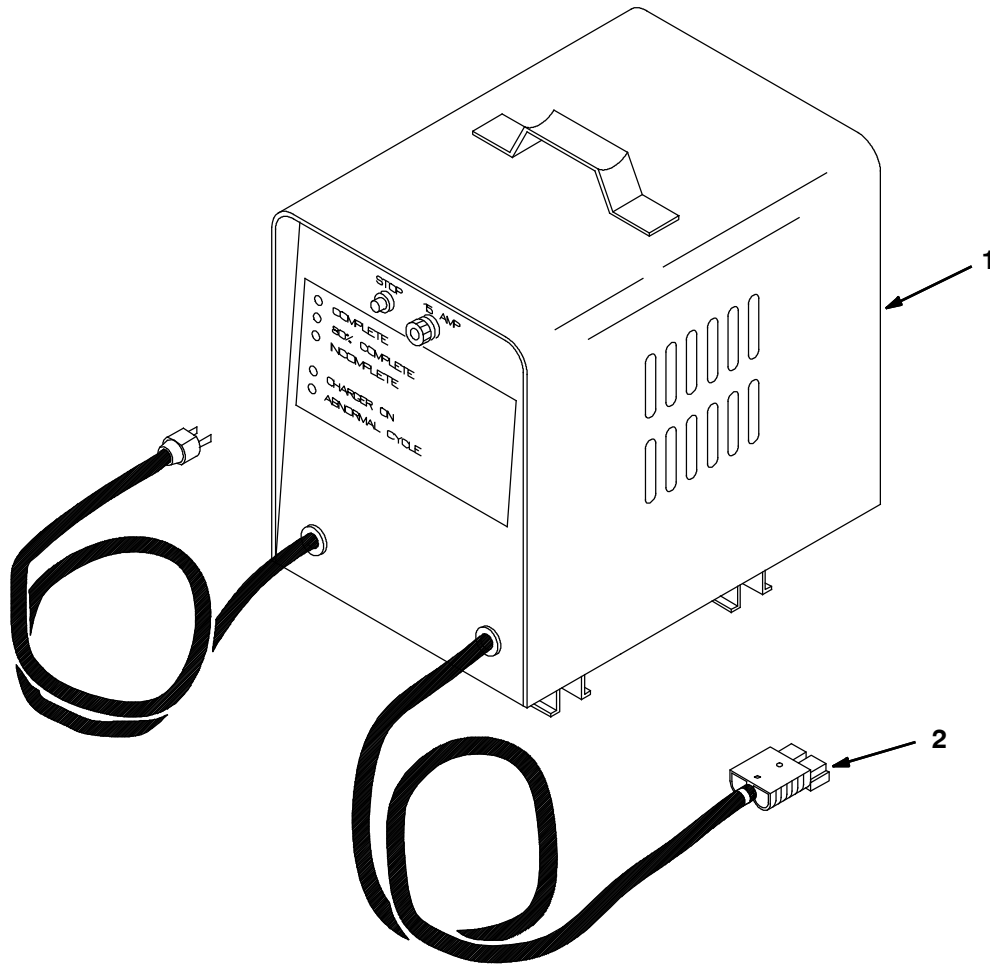
▽ ASSEMBLY

▲ INCLUDED IN ASSEMBLY

*THIS KIT IS INTENDED FOR USE WITH TROJAN® LEAD ACID BATTERIES ONLY.

HYDROLINK® IS A REGISTERED TRADEMARK OF TROJAN® BATTERY COMPANY.

BATTERY CHARGER GROUP

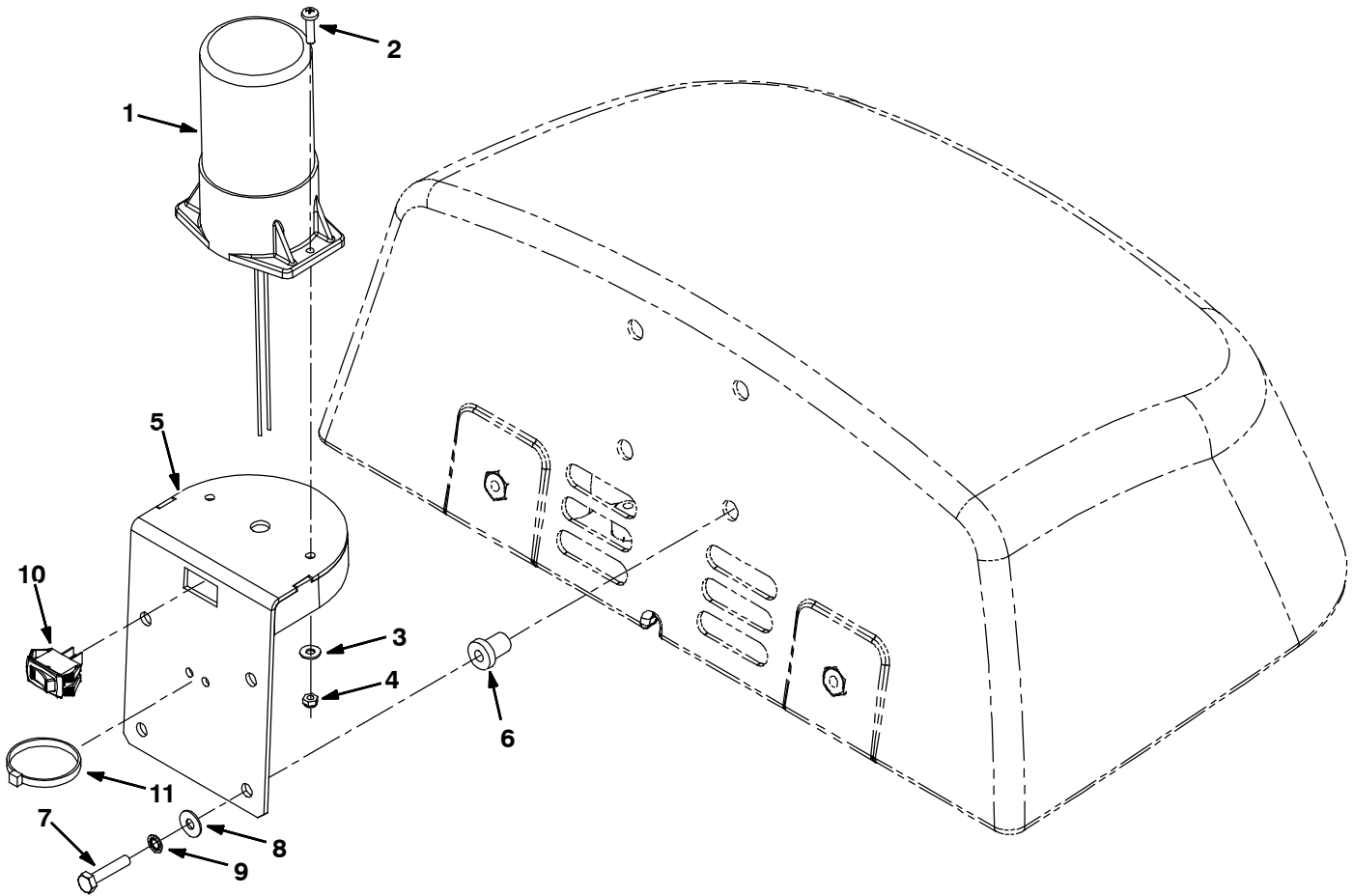


	Ref.	Part No.	Serial Number	Description	Qty.
▽	1	604282	(00000000-) Charger, 24vdc 30a Dual Vac 1ph 50/60hz	1
▲	2	605387	(00000000-) Connector, Anderson, 050a, Red [W/O Con]	1

▽ ASSEMBLY

▲ INCLUDED IN ASSEMBLY

FLASHING LIGHT KIT

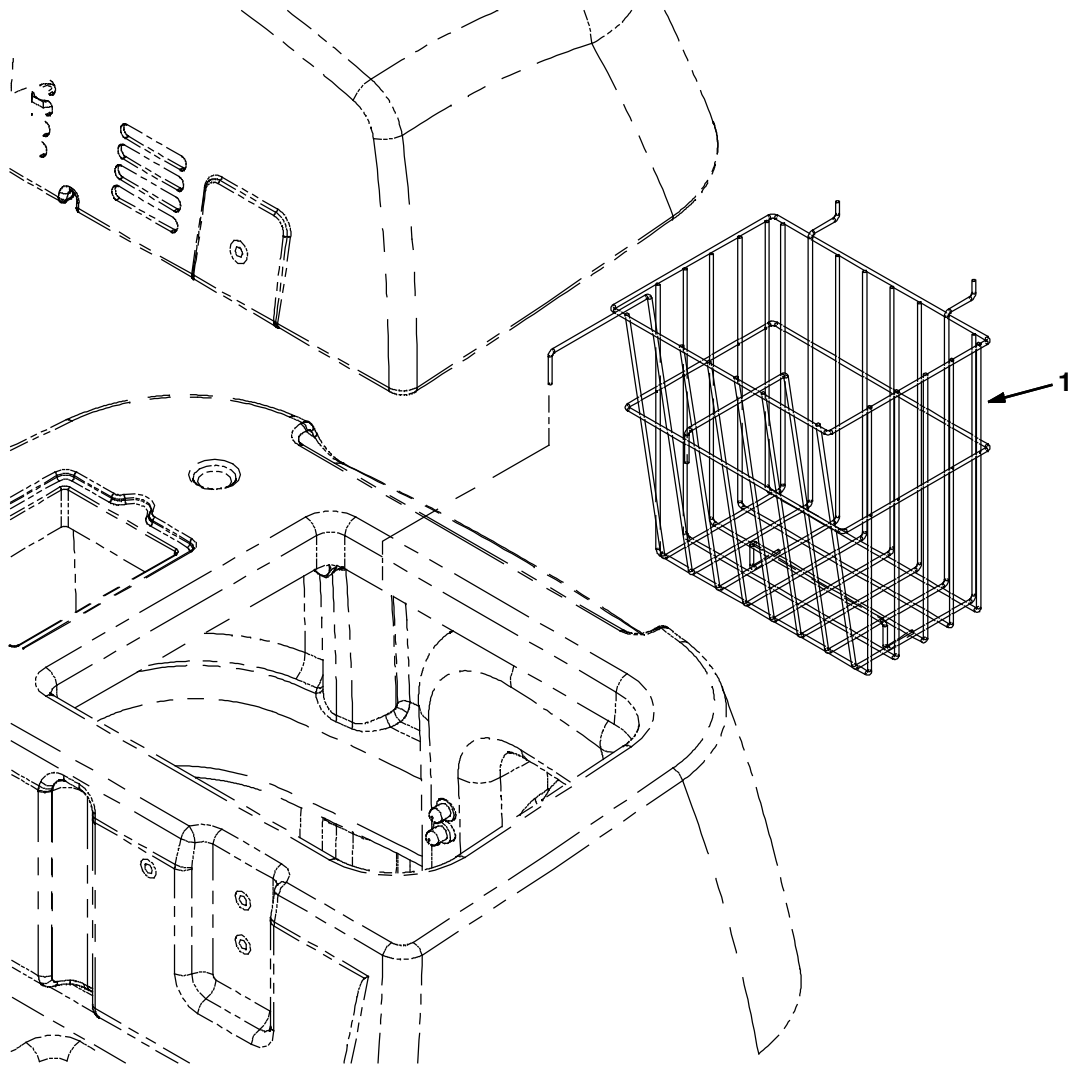


Ref.	Part No.	Serial Number	Description	Qty.
▽	9000581	(00000000-) Light Kit, Flsh, Ci [T7/Ssr]	1
▲▽	1 1015170	(00000000-) Light Assy, Flsh, 24vdc	1
▲▲	1014564	(00000000-) Light, Strobe, 12- 80vdc, 4watt	1
▲	2 24196	(00000000-) Screw, Pan, M5 X 0.8 X 20, Ss	2
▲	3 01683	(00000000-) Washer, Flat, #10, Ss	2
▲	4 09739	(00000000-) Nut, Hex, Lock, M5 X 0.80, NI, Ss	2
▲	5 1014527	(00000000-) Bracket Wldt, Light, Flsh	1
▲	6 61913	(00000000-) Nut, Isolator, .25- 20 Wall Th .031- .187	4
▲	7 01699	(00000000-) Screw, Hex, .25- 20 X 1.25, Ss	4
▲	8 01684	(00000000-) Washer, Flat, 0.25, Ss	4
▲	9 07515	(00000000-) Washer, Lock, Int, 0.25, Ss	4
▲	10 130717	(00000000-) Switch, Rocker, Spst On- Off	1
▲	11 130040	(00000000-) Tie, Cable, Nyl, 06.0l .12w	1

▽ ASSEMBLY

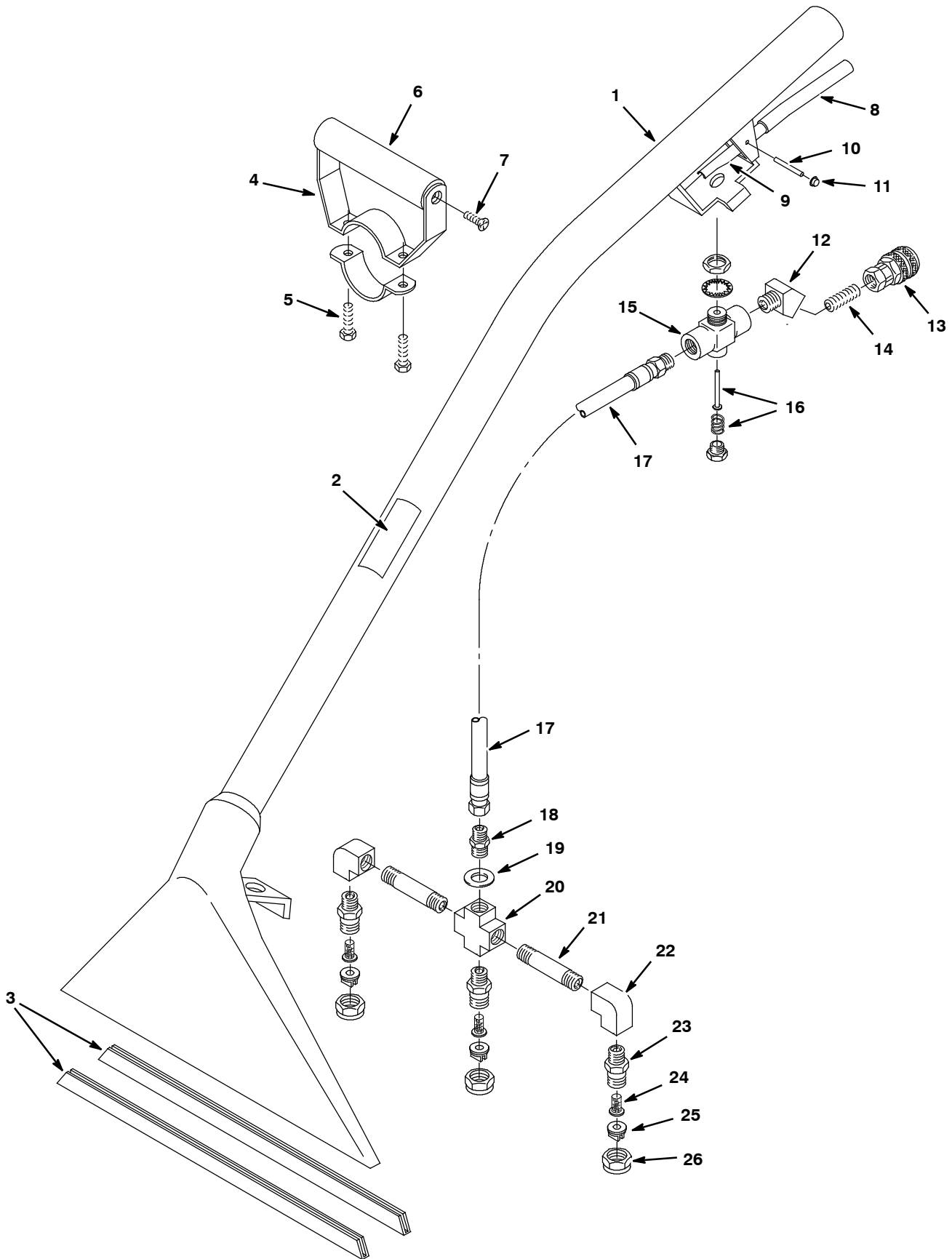
▲ INCLUDED IN ASSEMBLY

BASKET KIT



Ref.	Part No.	Serial Number	Description	Qty.
1	9001004	(00000000-) Basket Kit, Ci	1

WAND GROUP, LOW PRESSURE 13 in / 330 mm



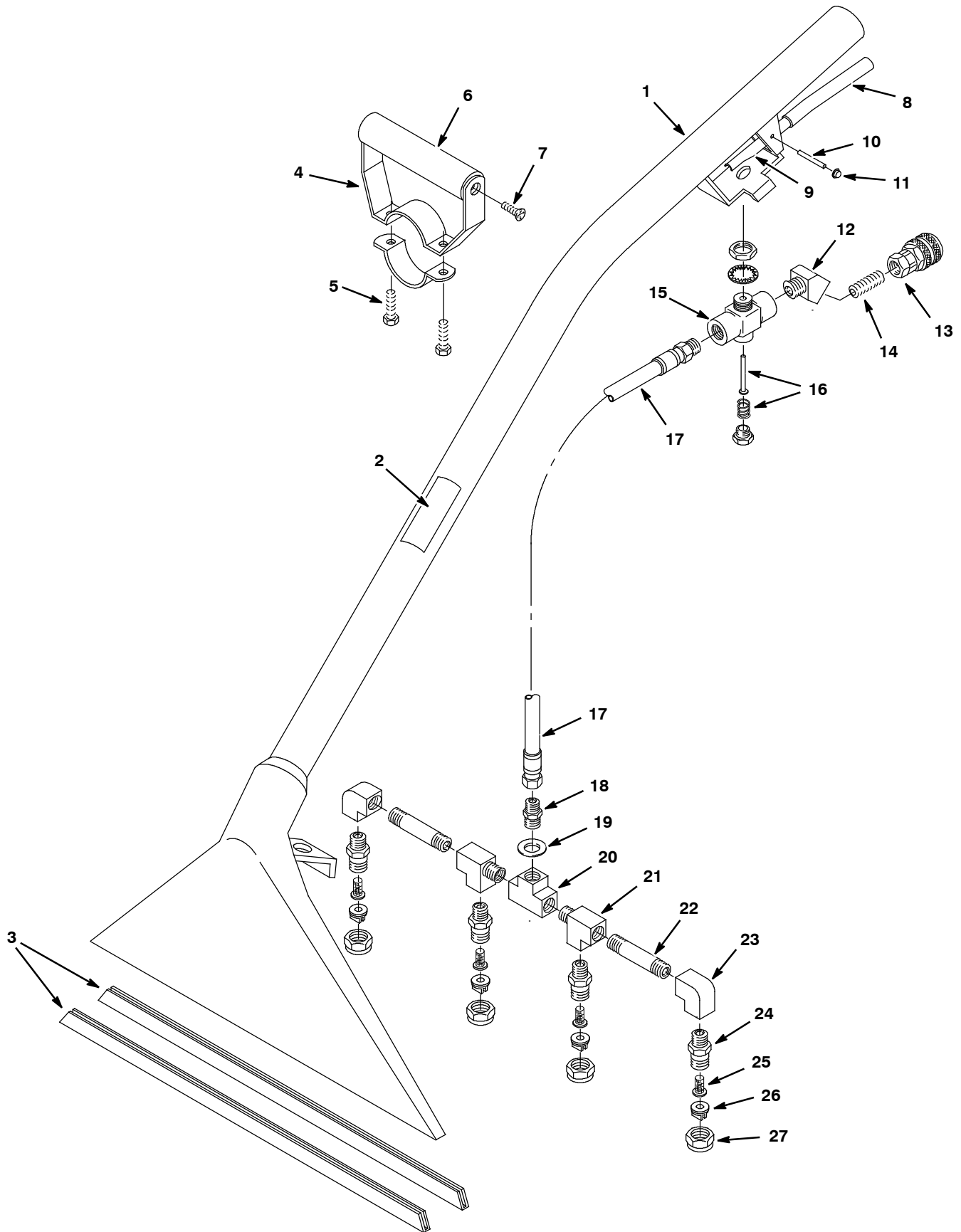
WAND GROUP, LOW PRESSURE 13 in / 330 mm

Ref.	Part No.	Serial Number	Description	Qty.
▽	600048	(00000000-) Tool, Floor, 13.0w, 33cm [W/3 Nozzles]	1
▲	1 200403.BK	(00000000-) Tool, Pickup, Floor, 12w, Blk	1
▲	2 120846	(00000000-) Label, Low- Press Floor Tool	1
▲	3 200939	(00000000-) Plate, Tool, Floor, 13.00 [Shoe]	2
▲▽	4 200927	(00000000-) Grip, Hand, Adj, Complt	1
▲▲	5 01697	(00000000-) Screw, Hex, .25- 20 X 0.62, Ss	2
▲▲	6 200912	(00000000-) Grip, Handle, Foam	1
▲▲	7 140834	(00000000-) Screw, Flt, .25- 20 X 0.62, Phl, Ss	2
▲	8 200809	(00000000-) Sleeve, Handle / Floor Tool	1
▲	9 200902	(00000000-) Handle, Valve [Imperial]	1
▲	10 140605	(00000000-) Pin, Handle [Imperial Eastman]	1
▲	11 140520	(00000000-) Nut, Push, .25id, Blk, PI	2
▲	12 150403	(00000000-) Fitting, Brs, E45, Pf04/Pm04 [Taped]	1
▲	13 150913	(00000000-) Fitting, Brs, Qdc, Pf04 [Ser60]	1
▲	14 150615	(00000000-) Fitting, Brs, Str, Pm04, Close, T	1
▲▽	15 210150	(00000000-) Valve, Water, Flow Cntrl, Pf04/Pf04	1
▲▲	16 190603	(00000000-) Imperial Eastman Kit, Repair	1
▲	17 160170	(00000000-) Hose Assy, Wand, 47.34 [Endtoend, 42059]	1
▲	18 150606	(00000000-) Fitting, Brs, Str, Pm04/Pm04 X1.38 [Nip]	1
▲	19 140058	(00000000-) Washer, Flat, 0.54b 0.88d .06, Ss [Wand]	1
▲▽	700062	(00000000-) Bar Assy, Spray, 12inch, W/O Tip[Flr TI]	1
▲▲	20 150700	(00000000-) Fitting, Brs, Cross, Pf04/Pf04/Pf04/Pf04	1
▲▲	21 150600	(00000000-) Fitting, Brs, Nipple, .25qm X 2.0[Taped]	2
▲▲	22 150401	(00000000-) Fitting, Brs, E90, Pf04/Pf04	2
▲▲	23 200993	(00000000-) Fitting, Brs, Pm04 [Spray Body]	3
▲	24 200996	(00000000-) Filter, Screen, 100 Mesh, Check Valve	3
▲	25 200964	(00000000-) Fitting, Brs, Tip [11003, T- Jet]	3
▲	26 200994	(00000000-) Cap, Nozzle, Spray [#8002]	3

▽ ASSEMBLY

▲ INCLUDED IN ASSEMBLY

WAND GROUP, LOW PRESSURE 16 in / 406 mm



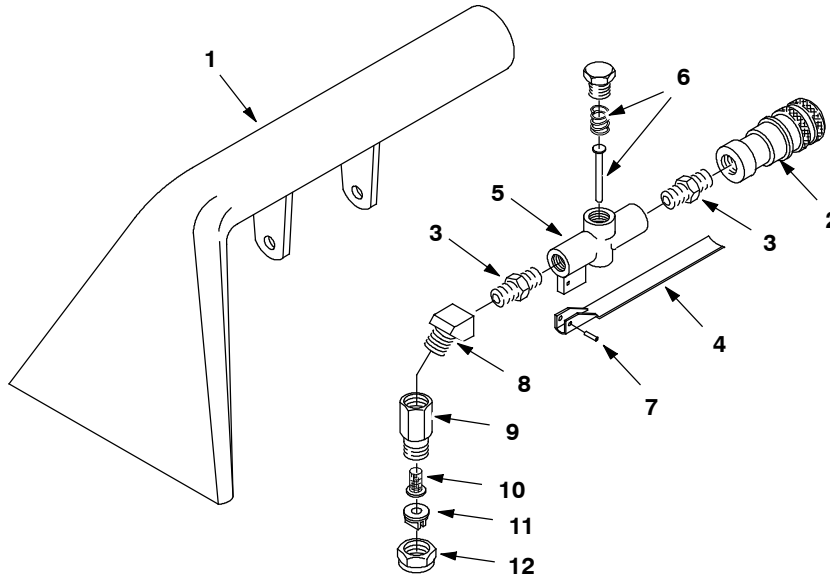
WAND GROUP, LOW PRESSURE 16 in / 406 mm

Ref.	Part No.	Serial Number	Description	Qty.
▽	200503	(00000000-) Tool, Pickup, Floor, 16w [Lp Series 60]	1
▲	1 200411.BK	(00000000-) Tool, Pickup, Floor, 16w, Blk	1
▲	2 120846	(00000000-) Label, Low- Press Floor Tool	1
▲	3 200956	(00000000-) Plate, Floor, 16.00, Ss [Shoe]	2
▲▽	4 200927	(00000000-) Grip, Hand, Adj, Complt	1
▲▲	5 01697	(00000000-) Screw, Hex, .25- 20 X 0.62, Ss	2
▲▲	6 200912	(00000000-) Grip, Handle, Foam	1
▲▲	7 140834	(00000000-) Screw, Flt, .25- 20 X 0.62, Phl, Ss	2
▲	8 200809	(00000000-) Sleeve, Handle / Floor Tool	1
▲	9 200902	(00000000-) Handle, Valve [Imperial]	1
▲	10 140605	(00000000-) Pin, Handle [Imperial Eastman]	1
▲	11 140520	(00000000-) Nut, Push, .25id, Blk, PI	2
▲	12 150403	(00000000-) Fitting, Brs, E45, Pf04/Pm04 [Taped]	1
▲	13 150913	(00000000-) Fitting, Brs, Qdc, Pf04 [Ser60]	1
▲	14 150615	(00000000-) Fitting, Brs, Str, Pm04, Close, T	1
▲▽	15 210150	(00000000-) Valve, Water, Flow Cntrl, Pf04/Pf04	1
▲▲	16 190603	(00000000-) Imperial Eastman Kit, Repair	1
▲	17 160170	(00000000-) Hose Assy, Wand, 47.34 [Endtoend, 42059]	1
▲	18 150606	(00000000-) Fitting, Brs, Str, Pm04/Pm04 X1.38 [Nip]	1
▲	19 140058	(00000000-) Washer, Flat, 0.54b 0.88d .06, Ss [Wand]	1
▲▽	700656	(00000000-) Bar Assy, Spray, 16inch, W/O Tip	1
▲▲	20 150706	(00000000-) Fitting, Brs, Tee, Pf04/Pf04/Pf04	1
▲▲	21 150709	(00000000-) Fitting, Brs, Tee, Pm04/Pf04/Pf04, Run	2
▲▲	22 150600	(00000000-) Fitting, Brs, Nipple, .25qm X 2.0[Taped]	2
▲▲	23 150401	(00000000-) Fitting, Brs, E90, Pf04/Pf04	2
▲	24 200993	(00000000-) Fitting, Brs, Pm04 [Spray Body]	4
▲	25 200996	(00000000-) Filter, Screen, 100 Mesh, Check Valve	4
▲	26 200964	(00000000-) Fitting, Brs, Tip [11003, T- Jet]	4
▲	27 200994	(00000000-) Cap, Nozzle, Spray [#8002]	4

▽ ASSEMBLY

▲ INCLUDED IN ASSEMBLY

HAND TOOL, 5 in / 127 mm

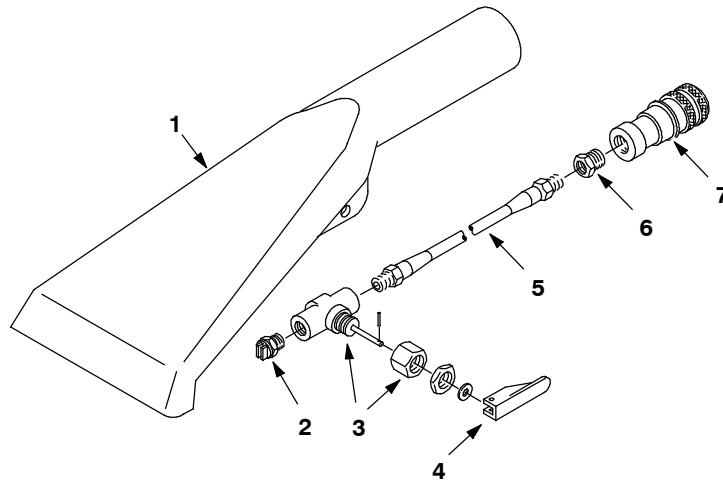


Ref.	Part No.	Serial Number	Description	Qty.	
▽	200505	(00000000-) Tool, Hand, 127mm 5.0w	1	
▲	1	200431.BK	(00000000-) Tool, Hand, Blk	1
▲	2	150913	(00000000-) Fitting, Brs, Qdc, Pf04 [Ser60]	1
▲	3	150606	(00000000-) Fitting, Brs, Str, Pm04/Pm04 X1.38 [Nip]	2
▲	4	200905	(00000000-) Lever [K- Valve W/ Pin]	1
▲	5	210210	(00000000-) Valve, Water, Flow Cntrl, Pf04/Pf04	1
▲	6	190600	(00000000-) K- Valve Kit, Repair	1
▲	7	140609	(00000000-) Pin, Roll, .187d X 0.56l, PI	1
▲	8	150403	(00000000-) Fitting, Brs, E45, Pf04/Pm04 [Taped]	1
▲	9	200992	(00000000-) Fitting, Brs, Str, Pf02, Swivel	1
▲	10	200996	(00000000-) Filter, Screen, 100 Mesh, Check Valve	1
▲	11	200965	(00000000-) Fitting, Brs, Tip [8002, T- Jet]	1
▲	12	200994	(00000000-) Cap, Nozzle, Spray [#8002]	1

▽ ASSEMBLY

▲ INCLUDED IN ASSEMBLY

HAND TOOL, CREVICE 3 in / 76 mm

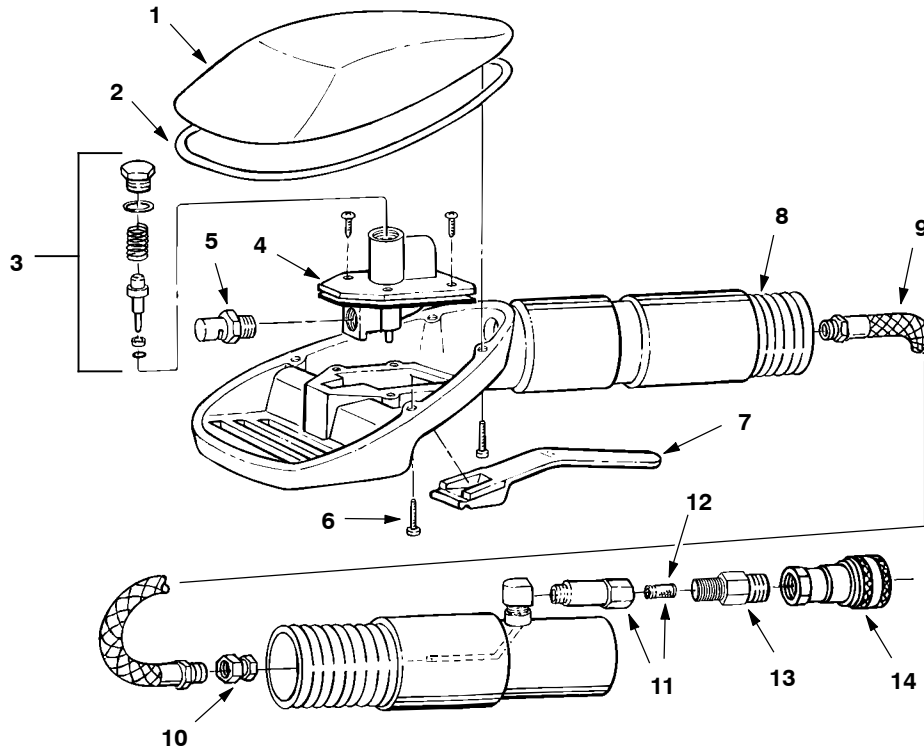


Ref.	Part No.	Serial Number	Description	Qty.
▽	200517	(00000000-) Tool [Crevice Lp/Hp Series 60]	1
▲ 1	200436.BK	(00000000-) Tool, Blk [Crevice]	1
▲ 2	200975	(00000000-) Fitting, Brs, Jet [.125 V- Jet]	1
▲ 3	210014	(00000000-) Valve, Water, Toggle, Pf02, W/ Nut	1
▲ 4	210020	(00000000-) Handle, Valve [Positioner]	1
▲ 5	160106	(00000000-) Hose, Soltn, Crevice Tool	1
▲ 6	150100	(00000000-) Fitting, Brs, Str, Pf02/Pm04	1
▲ 7	150913	(00000000-) Fitting, Brs, Qdc, Pf04 [Ser60]	1

▽ ASSEMBLY

▲ INCLUDED IN ASSEMBLY

HAND TOOL, UPHOLSTERY, LOW PRESSURE

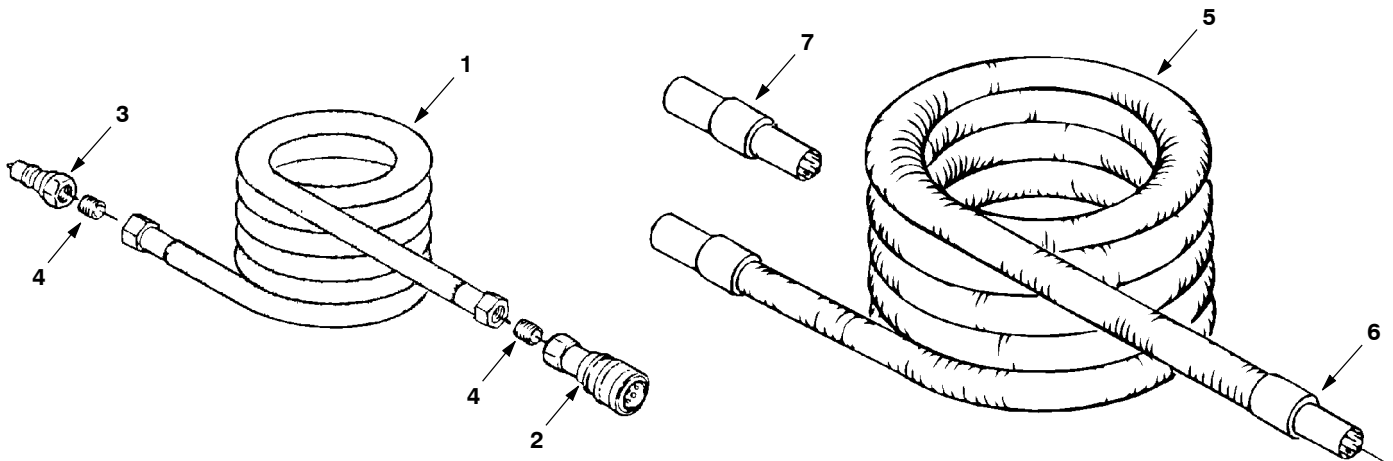


Ref.	Part No.	Serial Number	Description	Qty.	
▽	200540	(00000000-) Tool [Upholstery Lp Series 60]	1	
▲	1	200845	(00000000-) Cover, Tool [Upholstery]	1
▲	2	200843	(00000000-) Gasket, Cover	1
▲	3	190631	(00000000-) Service Kit [Upholstery, Lp]	1
▲	4	210226	(00000000-) Valve, Water, Solenoid, 120vac Low Press	1
▲	5	200991	(00000000-) Fitting, Ss, Jet, 1/8k- Jet	1
▲	6	200838	(00000000-) Screw, #06- 32 X 0.75	4
▲	7	200840	(00000000-) Trigger Upholstery Tool	1
▲	8	200844	(00000000-) Hose, Vacuum [Upholstery Tool W/O Cuffs]	1
▲	9	200837	(00000000-) Hose [Hp Upholstery Tool]	1
▲	10	200848	(00000000-) Fitting, Brs [3 Pcs]	1
▲	11	200842	(00000000-) Filter, In- Line, Complt	1
▲	12	200841	(00000000-) Screen, Fltr, Inline	1
▲	13	150606	(00000000-) Fitting, Brs, Str, Pm04/Pm04 X1.38 [Nip]	1
▲	14	150913	(00000000-) Fitting, Brs, Qdc, Pf04 [Ser60]	1

▽ ASSEMBLY

▲ INCLUDED IN ASSEMBLY

HOSES, SOLUTION AND VACUUM GROUP

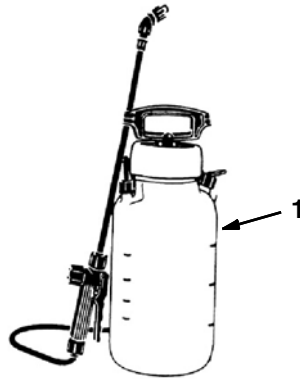


Ref.	Part No.	Serial Number	Description	Qty.
▽	1	1073341	(00000000-) Hose Assy, .38id X 15ft, Qdc/Qm [Ser60] (Optional)	1
▽	1	160186	(00000000-) Hose, Soltn, .38id X 25ft [Series 60,Lp] (Standard)	1
▽	1	160187	(00000000-) Hose, Soltn, .38id X 50ft [Series 60,Lp] (Optional)	1
▲	2	150913	(00000000-) Fitting, Brs, Qdc, Pf04 [Ser60]	1
▲	3	150933	(00000000-) Fitting, Brs, Qdc, Pm04 [Ser60]	1
▲	4	150615	(00000000-) Fitting, Brs, Str, Pm04, Close, T	2
▽	5	160400	(00000000-) Hose, Vacuum, 1.50id X 15ft (Optional)	1
▽	5	160401	(00000000-) Hose Kit, Vacuum, 1.50id X 25ft, 2cuff (Standard)	1
▽	5	160402	(00000000-) Hose, Vacuum, 1.50id X 50ft (Optional)	1
▲	6	160430	(00000000-) Cuff, 1.5d Hose, 1.5id	2
	7	12694	(00000000-) Fitting, Plstc, Str, Bm24/Bm24	1
	N/S	220040	(00000000-) Bag, Hose, Accssry, 24x36[W/Draw String] (Optional)	1

▽ ASSEMBLY

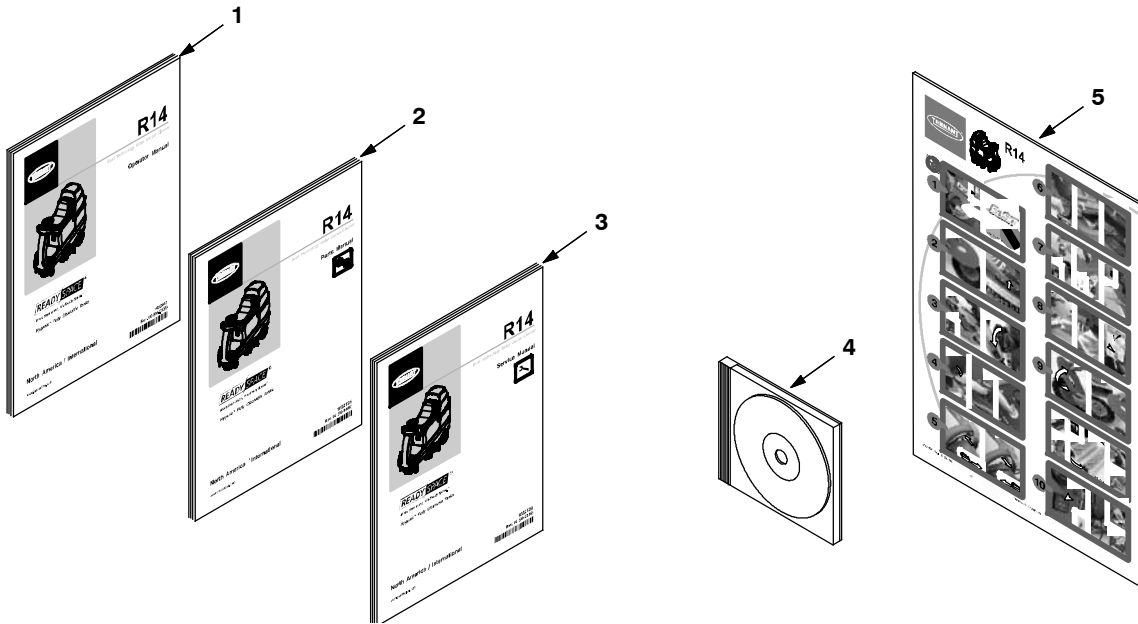
▲ INCLUDED IN ASSEMBLY

SPRAYER GROUP



Ref.	Part No.	Serial Number	Description	Qty.
1	605848	(00000000-) Sprayer 2gal Pumpup Hd	1

DOCUMENTATION GROUP



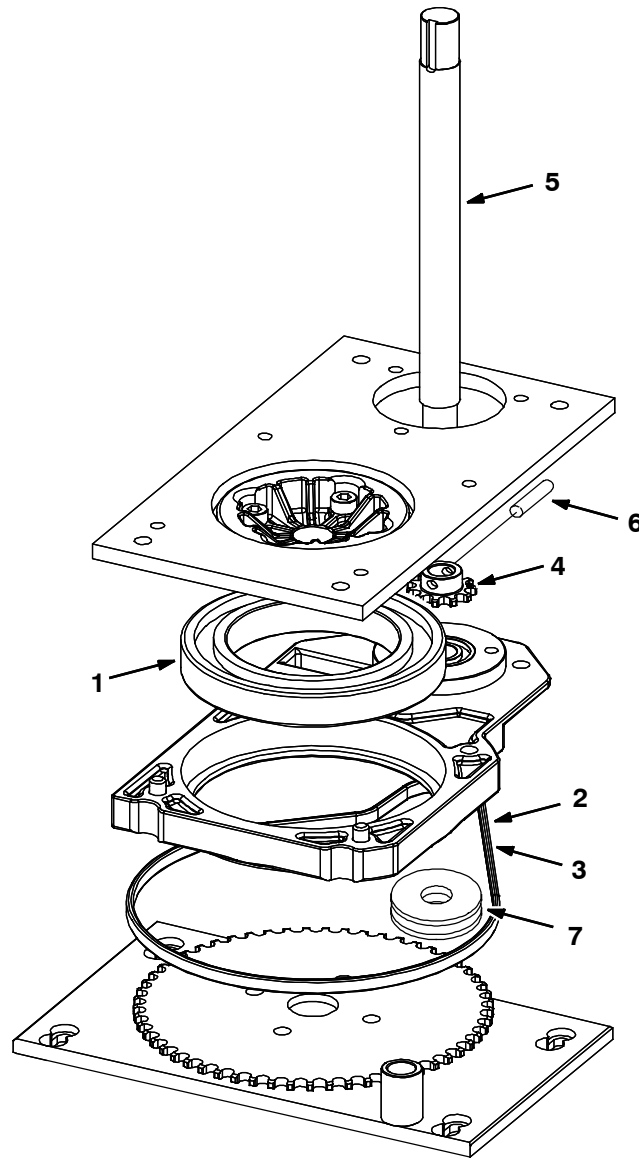
Ref.	Part No.	Serial Number	Description	Qty.
1	1032047	(00000000-) Manual, Oprtr [R14, En]	1
1	1032123	(00000000-) Manual, Oprtr [R14, Es]	1
1	1032124	(00000000-) Manual, Oprtr [R14, Fr]	1
2	1032125	(00000000-) Manual, Parts [R14]	1
3	1032129	(00000000-) Manual, Service [R14]	1
4	1026544	(00000000-) Manual, Cd- Rom, Training [Interactive]	1
5	1032126	(00000000-) Instr, Use & Care, En [R14]	1



To view, print, order, download the latest Parts manual, other language Operator manuals, and Use and Care Guides (wall charts), visit:

www.tennantco.com/manual

STEERING CONTROL BREAKDOWN, 1019724

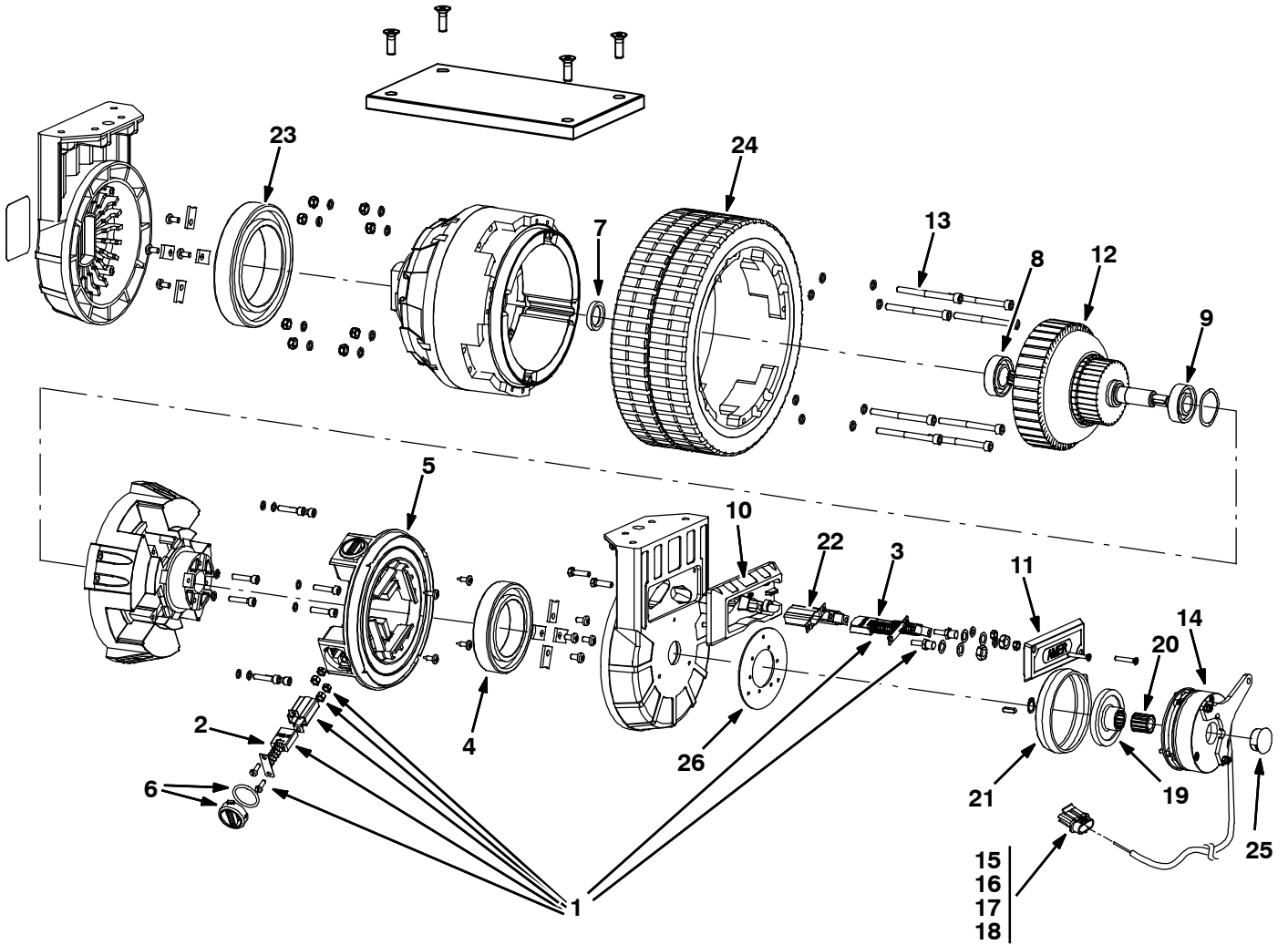


Ref.	Part No.	Serial Number	Description	Qty.
▽	1019724	(00000000-) Steer- Control Assy, Wheel Drive	1
▲	1 372874	(00000000-) Vr, Bearing, Steering	1
▲	2 372875	(00000000-) Vr, Chain, Steering	1
▲	3 372876	(00000000-) Vr, Link, Master	1
▲	4 372881	(00000000-) Vr, Sprocket	1
▲	5 1029229	(00000000-) Shaft, Steering	1
▲	6 1038313	(00000000-) Pin, Roll, 06Mm X 28MmL	1
▲	7 1043371	(00000000-) Pulley, Tens [T7/R14 Steering Assy]	1

▽ ASSEMBLY

▲ INCLUDED IN ASSEMBLY

FRONT DRIVE WHEEL GEARBOX BREAKDOWN, 9003021



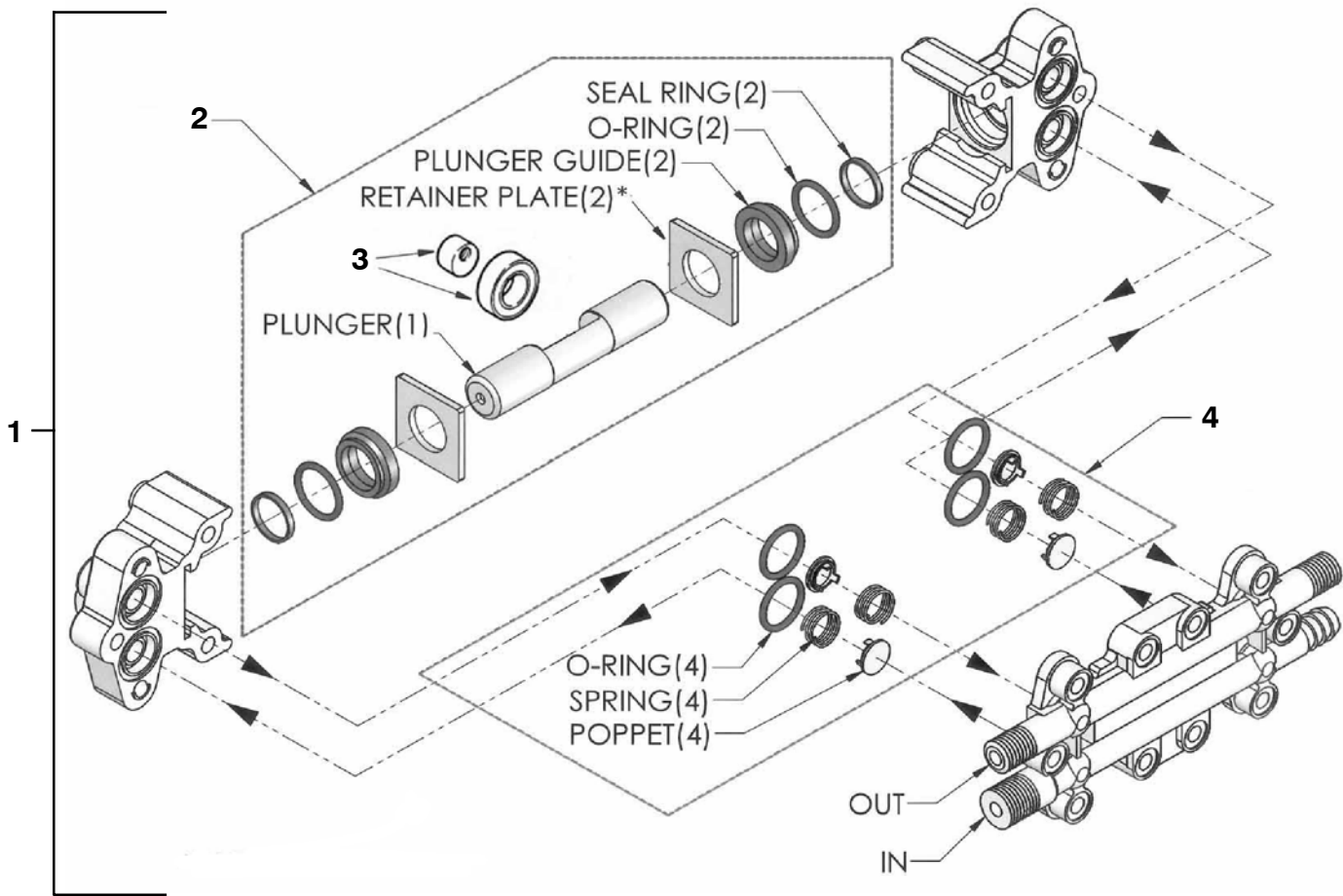
FRONT DRIVE WHEEL GEARBOX BREAKDOWN, 9003021

Ref.	Part No.	Serial Number	Description	Qty.
▽	9003021	(00000000-) Gearbox Kit, Wheel, 250mm, W/Connector	1
▲	1 1034379	(00000000-) Brush Kit, Motor [Amer, 1pick=1bag] (1 Kit = 4 Brushes)	1
▲▽	1 1034382	(00000000-) Brush Kit, Carbon	1
▲▲	2 1034411	(00000000-) Brush, Carbon	4
▲▽	2 1034383	(00000000-) Brush Kit, Carbon Curve	1
▲▲	3 1034410	(00000000-) Brush, Carbon Curved	2
▲	4 1029227	(00000000-) Vr, Bearing, Ball, Brush Side	1
▲	5 1034385	(00000000-) Ring, Brsh Holder, Afmkt	1
▲	6 391262	(00000000-) Brush Kit, Cover [Amer]	4
▲	7 391263	(00000000-) Seal, Ring [Amer]	1
▲	8 391264	(00000000-) Bearing, Gearbox Side [Amer]	1
▲	9 391265	(00000000-) Bearing, Motor Side [Amer]	1
▲	10 391467	(00000000-) Box, Ele, Connection	1
▲	11 391468	(00000000-) Cover, Ele, Connection	11
▲	12 1034384	(00000000-) Armature	1
▲	13 1034386	(00000000-) Screws, Wheel Mount, Afmkt	8
▲▽	14 9001644	(00000000-) Brake Kit, Gearbox, W/ Connector	1
▲▲	15 78950	(00000000-) Connector, Fem, 02cav, Mp280 Sealed	2
▲▲	16 78952	(00000000-) Lock, Secondary, 2cav, Mp280 Sealed	2
▲▲	17 25837	(00000000-) Terminal, Fem, Mp280, Sealed, 22- 20ga	2
▲▲	18 25830	(00000000-) Seal, Wire, 14ga [Wp / Mp280 Sealed]	2
▲▲	19 372870	(00000000-) Disc, Brake	1
▲▲	20 372871	(00000000-) Adapter, Brake, Spl	1
▲	21 372872	(00000000-) Sleeve, Rbr	1
▲	22 372877	(00000000-) Guide, Brushholder, Slip Ring [Amer]	1
▲	23 372874	(00000000-) Bearing, Steering	1
▲	24 391259	(00000000-) Tire, Solid, 250mm X 90mm Red (Standard)	1
▲	25 130161	(00000000-) Plug, Hole, Rnd, 0.88d, Blk	1
▲	26 9010971		Vr, Flange, Brake, T7	1

▽ ASSEMBLY

▲ INCLUDED IN ASSEMBLY

PUMP BREAKDOWN, 1022343



* Not Included with kit 9002988

Ref.	Part No.	Serial Number	Description	Qty.
▽	1022343	(00000000-) Pump, Water, 24vdc, 2.0gpm 250psi (Complete)	1
▲	1034052	(00000000-) Motor, 24vdc, Pump, Replmt [R14]	1
▲▽	1 1034050	(00000000-) Head, Pump, Replmt [R14]	1
▲▲	2 9002989	(00000000-) Plunger & Seal Kit, Replmt [R14] (Retainer Plates Qty 2 Shown - Not Included In This Kit)	1
▲	3 1034051	(00000000-) Bearing, Cam, 100in Offset, Replmt [R14] (Not Included in Kit 1034050)	1
▲▲	4 9002988	(00000000-) Valve Kit, W/ Org, Replmt [R14]	1

▽ ASSEMBLY

▲ INCLUDED IN ASSEMBLY

