



Electronic Service Manuals

This electronic document is provided as a service to our customers. We do not create the contents of the information contained in this document. Should you have detailed questions pertaining to the information contained in this document, you may contact Michco, or the manufacturer which provided the original information in this electronic deliverable. Michco's only part in this electronic deliverable was the electronic assembly process. By providing this manual on line we are not guaranteeing parts availability.

You may contact Michco through the following methods:

Phone (517) 484-9312 or (800) 331-3339

2011 N. High St. -- Lansing, Michigan -- 48906

Fax: (517) 484-9836

Email: CustServe@Michco.com

Web site: www.Michco.Com

Parts Web site: www.FloorMachineParts.Com

Order Parts on Line at:

www.FloorMachineParts.Com

Directly to Parts & Service:

By Email: **Shop@Michco.com**

By Fax: (517) 702-2041

By Voice: Use numbers above.

Serving the Cleaning Industry Since 1922

Notice: All copyrighted material remains property of original owners, all trademarks are property of respective owners. Manuals are subject to Manufacturer's reproduction limitations. Originals or reproductions were provided by manufacturers through a request. We make no warranty as to the correctness of information provided in this document and you assume all risk. By placing these manuals on line we are not declaring our corporation to be an manufacturer authorized dealer or provider, please check our web site for authorized manufacturers we represent.



L2

(Parts Manual)

MM097



This manual is furnished with each new TENNANT® Model L2. It provides necessary operating and preventive maintenance instructions. Read this manual completely and understand the machine before operating or servicing it.

This manual covers all machine variations and standard accessories. The instruction portion of the manual consists of the Specification, Operation, Maintenance, and Appendix sections. The parts portion consists of the Standard Model Parts; Accessories; Hydraulic Components; Engine Parts; and Customer Documents sections.

All right side and left side references to the machine are determined by facing the direction of forward travel. All hardware considered to be of a common nature or locally available has been omitted from the parts sections. Be aware that this machine may contain metric hardware. Make sure you use equivalent hardware when replacement becomes necessary.

This machine will provide excellent service. However, the best results will be obtained at minimum costs if:

- The machine is operated with reasonable care.
- The machine is maintained regularly - per the maintenance instructions provided.
- The machine is maintained with Tennant Company supplied or equivalent parts.

Parts and supplies may be ordered by phone or mail from any Tennant Company parts and service center, distributor, or from any of the Tennant Company subsidiaries. Before ordering parts or supplies, be sure to have your machine model number and serial number handy. Fill out the data block below for future reference. The telephone numbers, telex numbers, mailing addresses, and locations of those outlets are listed in the Customer Documents section of the manual.

MACHINE DATA	
<i>Please fill out at time of installation.</i>	
Machine Serial Number -	_____
Engine Serial Number -	_____
Sales Representative -	_____
Customer Number -	_____
Date of Installation -	_____
Manual Number -	MM097
Revision:	04
Published:	9-88

05019

Trademark Registered in: Austria, Benelux, Denmark, England, France, Germany, Italy, Spain, Switzerland, United States, Argentina, Australia, Canada, Japan, Mexico, Sweden, by TENNANT COMPANY, Minneapolis, Minnesota, U.S.A.

Acknowledgements: Technical information and/or illustrations supplied by Wisconsin Motor Company; John S. Barnes Corporation; Sperry Vickers; Eaton Corporation, Hydraulics Division.

Copyright 1988 Tennant Company, Printed in U.S.A.

SECTION 5

CONTENTS

	Page
ORDERING REPAIR PARTS	5-3
Fig. 1 - Recommended General Maintenance Items	5-4
Fig. 2 - Tools and Brushes	5-5
Fig. 3 - Main Frame Group	5-6
Fig. 4 - Engine Group	5-8
Fig. 5 - Fuel Tank Group, LPG	5-10
Fig. 6 - Drive Wheel Assembly	5-12
Fig. 7 - Hydraulic System with Vickers TA15 Pump	5-14
Fig. 8 - Hydraulic System with Vickers TA6 Pump	5-18
Fig. 9 - Hydraulic System with Vickers TA15 Pump	5-22
Fig. 10 - Tool Drive Group	5-26
Fig. 11 - Electrical Diagram	5-28
Fig. 12 - Steering Assembly	5-30
Fig. 13 - Chain Drive Assembly	5-31
Fig. 14 - Filter Bag Group	5-32
Fig. 15 - Filter Box Group	5-34
Fig. 16 - Labels Group	5-36

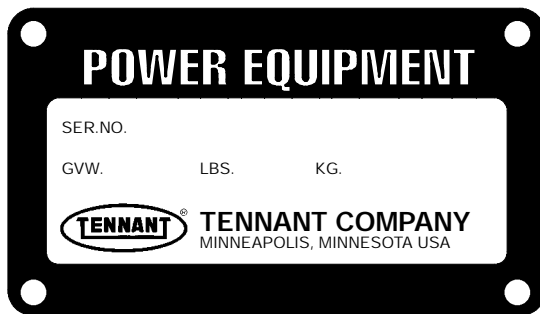
ORDERING REPAIR PARTS

The components used in this machine have been carefully selected for performance and safety. Use only Tennant Company specified or equivalent parts.

To receive prompt service in filling of your parts orders, please direct all orders for parts with Tennant Company part numbers to the Tennant Company, and all orders for parts with vendor part numbers to the local supplier of the respective vendor.

When ordering parts, please furnish all of the following information:

1. Machine model number - shown on the machine data plate.



2. Machine serial number - shown on the machine data plate.
3. Power source - gasoline, LPG, diesel, electric.
4. Company name.
5. Shipping address.
6. Billing address.
7. Name, first and last - of person ordering parts.
8. Telephone number.
9. Purchase order number.
10. Part number, description, and quantity - of each item on the order.
11. Customer ID Number.

Do not order parts by key number or the figure number of the illustrated parts. Indented items indicate parts of assemblies. Standard hardware is furnished only when part of a purchased assembly. Please get hardware from a local hardware supplier.

If the old part cannot be identified, send it to us with the quantity needed specified on the order.

Any claim for loss or damage to a shipment in transit should be filed promptly against the transportation company making the delivery. Shipments will be complete unless the packing list or order acknowledgement indicate items back ordered.

If parts received are suspected to be incorrect or defective, please write, wire, or phone the Tennant Company representative from whom you ordered the part. They will give authorization for return and/or handle replacement shipments when required.

SERIAL NUMBER INFORMATION EXPLANATION

Serial number listings are shown to indicate on which machines each part can be used. These listings are explained by the following examples:

(001060-) The part can be used on all machines.

(003342-) The part can be used on all machines beginning with the serial number listed.

(001060-004320) The part can be used on all machines up to and including serial number listed.

(004321-005678) The part can be used on all machines between and including the serial numbers listed.

Where xxxxxx's are listed in place of a serial number, it indicates a change was made but the exact serial number had not been established when the catalog went to press.

SI UNITS OF MEASURE (INTERNATIONAL SYSTEM)

Metric equivalents have been included, where applicable, throughout this parts catalog.

FASTENER STRENGTH IDENTIFICATION

Fasteners required to have high-strength qualities equivalent to SAE Grade 8 are identified throughout this catalog by the description GR 8. Unless identified by this description, all standard fasteners are SAE Grade 5.

(Specifications and design subject to change without notice.)

Fig. 1 - Recommended General Maintenance Items

Key	TENNANT Part No.	Machine Serial Number	Description	Qty
	59451	(001060-)	Replacement Parts Package	1
	17155	(001060-)	Skirt, Rear	1
	17341	(001060-)	Skirt, Door	2
	17451	(001060-)	Skirt, Front	1
	45826-2	(001060-)	V-Belt	1
	17795-2	(001060-)	V-Belt	1
	46461	(001060-)	V-Belt	1
	17110	(001060-)	Lock	1
	17253	(001060-)	Shield, Left	1
	17254	(001060-)	Shield, Right	1
	52582	(001060-)	Filter Element, Oil	1
	23792	(001060-)	Filter Element, Air	2
	17184	(001060-)	Skirt, Deflector	1
	45770-1	(001060-)	Spark Plug	4
	59492	(001060-)	Filter	2
	45618	(001060-)	Point Set	1

Fig. 2 - Tools and Brushes

Key	TENNANT Part No.	Machine Serial Number	Description	Qty
	17572	(001060-)	Revo-tool Assembly	1
	17570	(001060-)	Revo-tool, Cage	1
	18277	(001060-)	Cutter, Star	2300
	04883	(001060-)	Plate, Locking	2
	07593	(001060-)	Screw, Hex	8
	11497	(001060-)	Tab, Locking	8
	17567	(001060-)	Rod, Revo-tool	12
	17492-3B	(001060-)	Revo-tool Assembly	1
	17203	(001060-)	Revo-tool, Cage	1
	03895-3	(001060-)	Cutter, Star	656
	04883	(001060-)	Plate, Locking	2
	07595	(001060-)	Screw, Hex	8
	11497	(001060-)	Tab, Locking	8
	17210	(001060-)	Rod, Revo-tool	8
	17960	(001060-)	Revo-tool Assembly	1
	17203	(001060-)	Revo-tool, Cage	1
	06603	(001060-)	Cutter, Corrugated	376
	06604	(001060-)	Cutter, Corrugated	376
	04883	(001060-)	Plate, Locking	2
	07594	(001060-)	Screw, Hex	8
	11497	(001060-)	Tab, Locking	8
	17210	(001060-)	Rod, Revo-tool	8
	17554	(001060-)	Brush Assembly	1
	17555	(001060-)	Brush Assembly	1
	17556	(001060-)	Brush Assembly	1

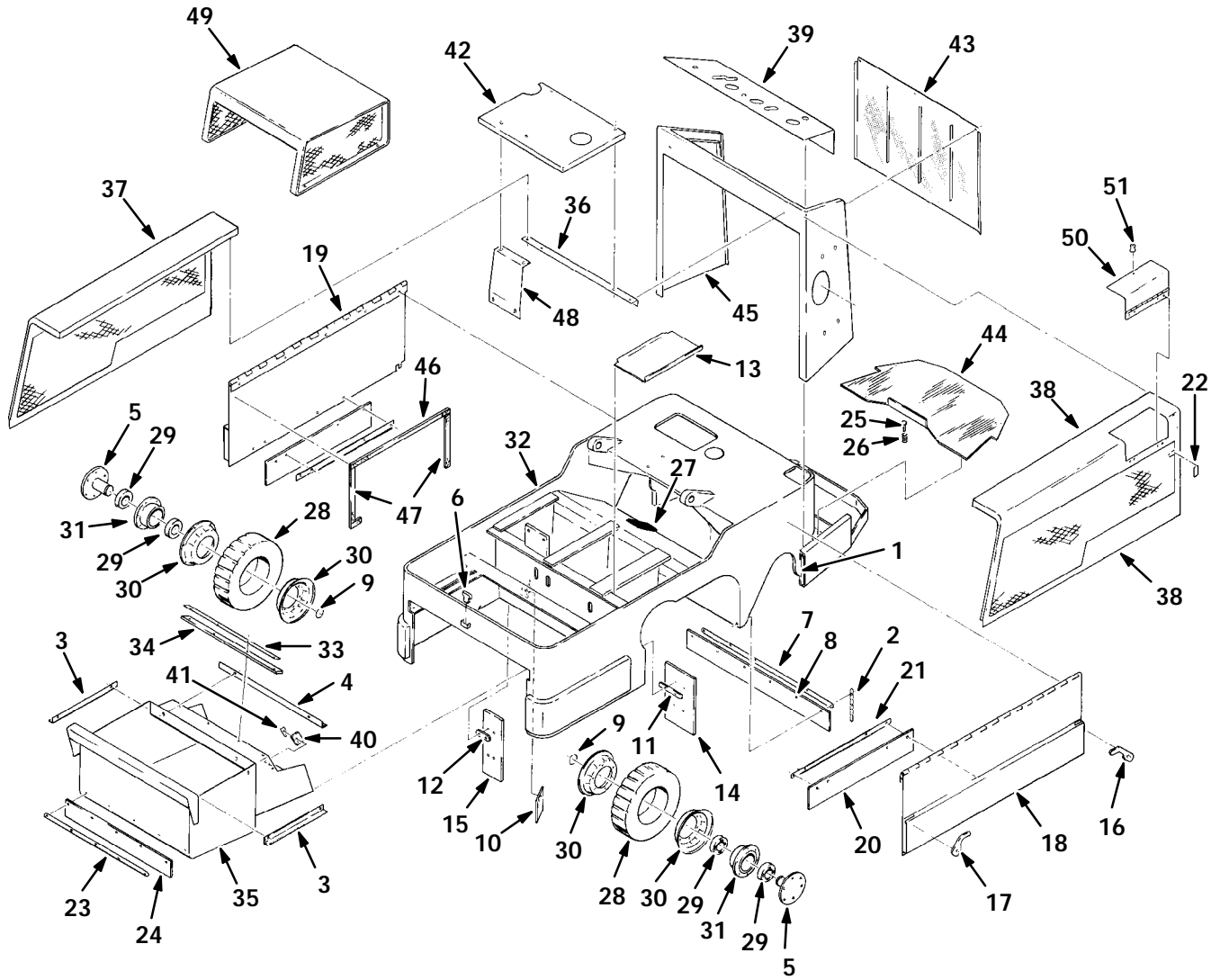


Fig. 3 - Main Frame Group

Fig. 3 - Main Frame Group

Key	TENNANT PartNo.	Machine Serial Number	Description	Qty
1	04029	(001060-)	Catch, Friction	4
2	09342	(001060-)	Chain, Link	1
3	17069	(001060-)	Angle	2
4	17070	(001060-)	Angle	1
5	18553	(001060-)	Axle	2
6	17110	(001060-)	Lock	1
7	17153	(001060-)	Retainer	1
8	17155	(001060-)	Skirt, Rear	1
9	17181	(001060-)	Ring, Retaining	2
10	17184	(001060-)	Skirt, Deflector	1
11	17211	(001060-)	Retainer	2
12	17212	(001060-)	Retainer, Right	2
13	17228	(001060-)	Shield, Dust, L.H	1
14	17253	(001060-)	Shield, Left	1
15	17254	(001060-)	Shield, Right	1
16	17334-1	(001060-)	Latch, Door, Rear	2
17	17335-1	(001060-)	Latch, Door, Front	2
18	17336-1	(001060-)	Door, L.H	1
19	17337-1	(001060-)	Door, R.H	1
20	17341	(001060-)	Skirt, Door	2
21	04516	(001060-)	Retainer	2
22	17406	(001060-)	Buckle	2
23	17450	(001060-)	Retainer	1
24	17451	(001060-)	Skirt, Front	1
25	17461	(001060-)	Pin, Clevis	2
26	17468	(001060-)	Spring	2
27	04524	(001060-)	Seal, Brush Wrap	1
	17496	(001060-)	Wheel Assembly	2
28	09027	(001060-)	Tire	1
29	09636	(001060-)	Bearing	2
30	10078	(001060-)	Wheel-Half	2
31	17099	(001060-)	Hub, Wheel, Front	1
32	17602	(001060-)	Frame	1
33	17611	(001060-)	Retainer Bar	1
34	17612	(001060-)	Skirt, Top	1
35	17624	(001060-)	Hopper	1
36	17629	(001060-)	Support , Hood, Rear	1
37	41507	(001060-)	Grille, R.H.	1
38	41511	(001060-)	Grille, L.H.	1
39	17675A	(001060-)	Instrument Panel	1
40	17681	(001060-)	Shield, Side	2
41	17682	(001060-)	Plate, Side	2
42	17741	(001060-)	Panel, Filler	1
43	17778	(001060-)	Grille, Oil Tank	1
44	17829	(001060-)	Mat, Stand	1
45	17865	(001060-)	Shroud, Tank	1
46	17874	(001060-)	Seal	2
47	17875	(001060-)	Seal	2
48	17892	(001060-)	Brace, Filler Plate	1
49	17893	(001060-)	Deflector, Heat	1
50	17933	(001060-)	Door	1
51	28282	(001060-)	Roller	1

STANDARD PARTS

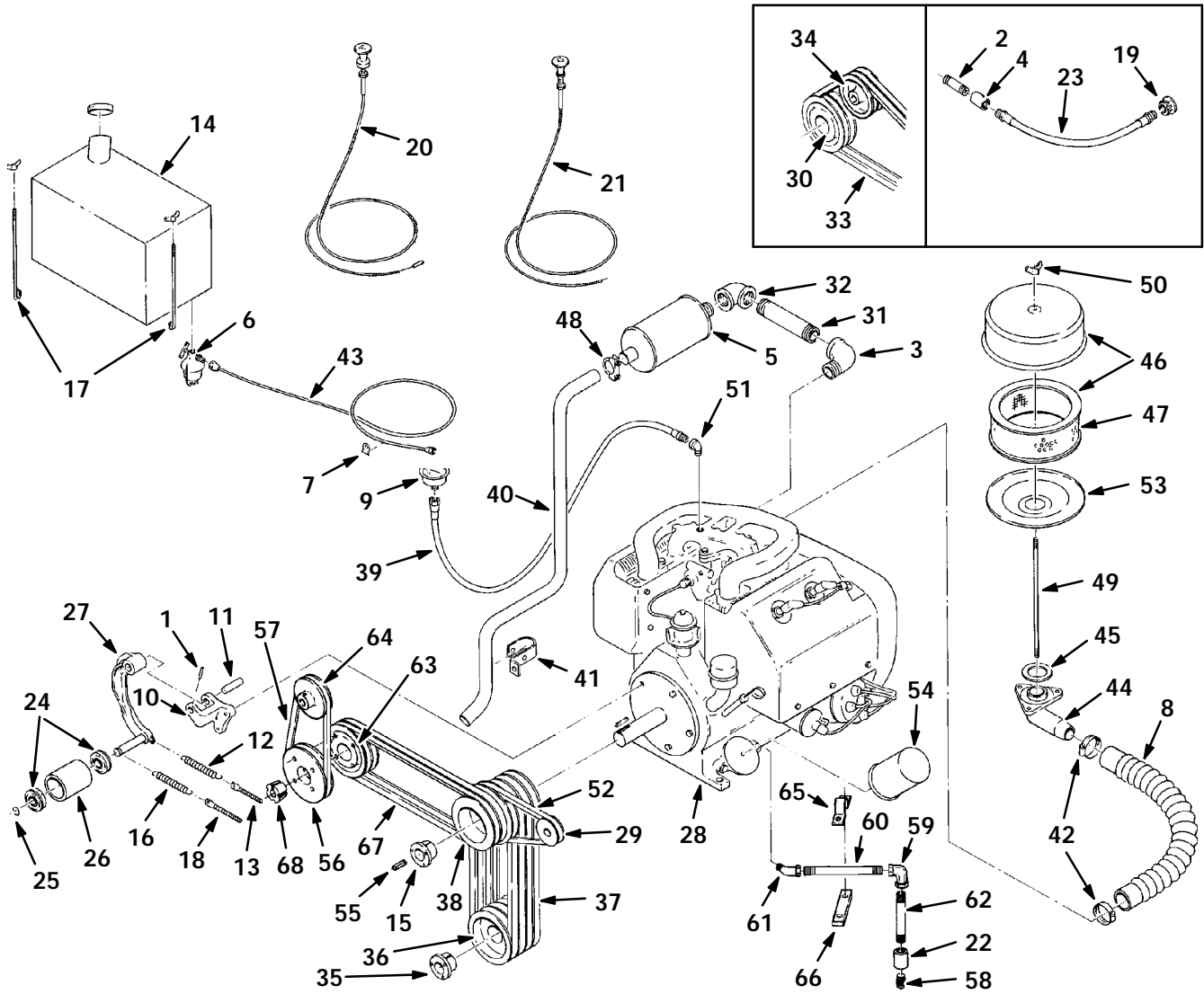


Fig. 4 - Engine Group

01834

Key	TENNANT PartNo.	Machine Serial Number	Description	Qty
1	01866	(001060-)	Pin, Roll	1
2	02281	(001060-001505)	Fitting, Nipple	1
3	06428-1	(001060-)	Fitting, Elbow	1
4	06439	(001060-001505)	Fitting, Pipe	1
5	17715	(001060-)	Muffler	1
6	04601	(001060-)	Strainer, Fuel	1
7	09092-1	(001060-)	Clamp	5
8	10323-4	(001060-)	Hose, Radiator	1
9	11522	(001060-)	Gauge, Vacuum	1
10	11814-1	(001060-)	Support, Idler	1
11	11819	(001060-)	Bar	1
12	11842	(001060-)	Spring	1
13	11843	(001060-)	Eye Bolt	1
14	17127	(001060-)	Gas Tank	1
15	17158	(001060-)	Bushing	1
16	17235	(001060-)	Spring, Tension-Idler	1
17	17249	(001060-)	Bolt, Tank Support	2

STANDARD PARTS

Key	TENNANT PartNo.	(001060- Machine Serial Number)	Description	Qty
18	17303	(001060-)	Eye Bolt	1
19	17399	(001060-001505)	Oil Drain Plug Assembly	1
20	17408	(001060-)	Throttle Cable Assembly	1
21	17409	(001060-)	Choke Cable Assembly	1
22	06439	(001506-)	Fitting, Pipe	1
23	17435	(001060-001505)	Hose, Hydraulic	1
23	17498	(001060-)	Idler Assembly	1
24	07107	(001060-)	Bearing-Ball	2
25	09862	(001060-)	Ring, Retaining	1
26	11818	(001060-)	Roller	1
27	17233	(001060-)	Arm, Idler	1
28	17603	(001060-)	Engine	1
29	17615	(001060-)	Sheave	1
30	17706	(001060-001505)	Sheave and Bushing Assembly	1
31	17793	(001060-)	Fitting, Nipple	1
32	17794	(001060-)	Fitting, Elbow	1
33	17795-2	(001060-)	V-Belt	1
34	17747	(001060-001505)	Sheave	1
	11858	(001060-001505)	Key	1
35	17723	(001060-)	Bushing	1
36	17736	(001060-)	Sheave	1
37	45826-2	(001060-)	V-Belt	1
38	17749	(001060-)	Sheave	1
39	17873	(001060-)	Hose, Hydraulic	1
40	17883	(001060-)	Tail Pipe	1
41	17886	(001060-)	Bracket, Clamp, Tail Pipe	1
42	11531	(001060-)	Clamp, Wormdrive	2
43	23419	(001060-)	Fuel Line	1
44	47256	(001060-)	Air Cleaner Base Assembly	1
45	33696	(001060-)	Gasket, Air Cleaner Base	3
46	23791-1	(001060-)	Air Filter Assembly	1
47	23792	(001060-)	Element	1
48	23693	(001060-)	Clamp, Muffler	1
49	24054	(001060-)	Stud	1
50	26509	(001060-)	Nut, Wing	1
51	28291	(001060-)	Fitting, Elbow	1
52	46461	(001060-)	V-Belt	1
53	54080	(001060-)	Flange, Air Cleaner	1
54	38584	(001060-)	Filter, Oil	1
54	59492	(001060-)	Filter	1
55	00967	(001060-)	Key	1
56	31696	(001060-)	Sheave	1
57	52250	(001060-)	V-Belt	1
58	14834	(001060-)	Fitting, Plug	1
59	32418	(001060-)	Fitting, Elbow	1
60	32419	(001506-)	Fitting, Nipple	1
61	32465	(001506-)	Fitting, Elbow, 45°	1
62	32645	(001506-)	Fitting, Nipple	1
63	17761	(001506-)	Sheave	1
64	31695	(001506-)	Sheave	1
65	28074	(001060-)	Clamp, Conduit	2
66	32621	(001060-)	Strip	1
67	02467	(001506-)	V-Belt	1
68	17797	(001060-)	Bushing	1

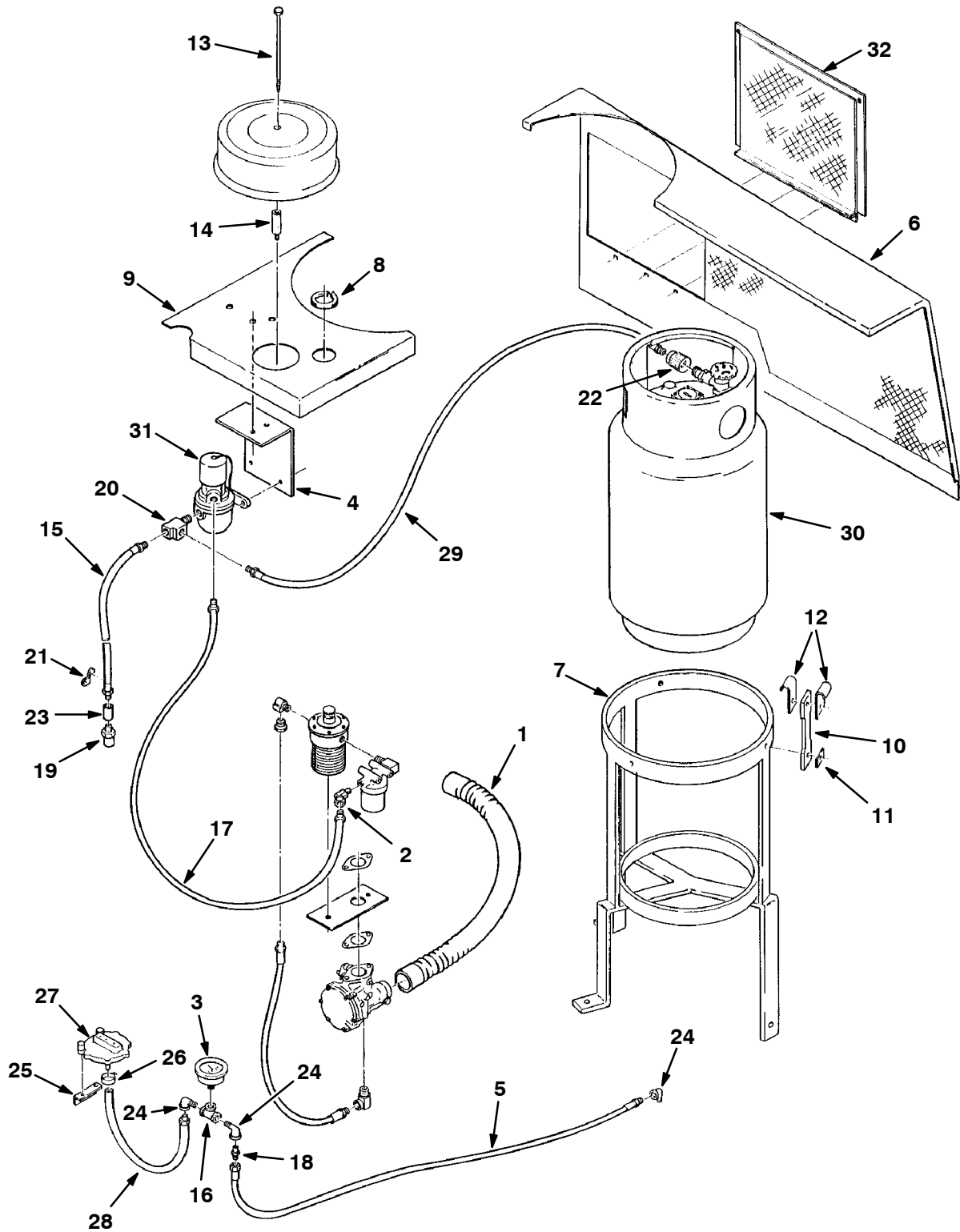


Fig. 5 - Fuel Tank Group, LPG

Fig. 5 - Fuel Tank Group, LPG

Key	TENNANT PartNo.	Machine Serial Number	Description	Qty
1	10323-5	(001060-)	Hose, Radiator	1
2	23301	(001060-)	Fitting, Elbow 45°	1
3	11522	(001060-)	Gauge, Vacuum	1
4	17827	(001060-)	Bracket, Fuellock Filter	1
5	17873	(001060-)	Hose, Hydraulic	1
6	41520	(001060-)	Grill, L.H.	1
7	17938	(001060-)	Support, LP Tank	1
8	47080	(001060-)	Grommet	1
9	17946	(001060-)	Panel, Filler	1
10	17975	(001060-)	Strap	3
11	17976	(001060-)	Strip	3
12	17977	(001060-)	Handle, Hook	6
13	17978	(001060-)	Screw, Hex Cap	1
14	17979	(001060-)	Stud, Special	1
15	22308	(001060-)	Hose, LPG	1
16	22309	(001060-)	Fitting, Pipe, Tee	1
17	22324	(001060-)	Hose, LPG	1
18	22383	(001060-)	Fitting, Straight	1
19	24047	(001060-)	Valve, Relief	1
20	24929	(001060-)	Fitting, Tee	1
21	24930	(001060-)	Clamp	1
22	26496	(001060-)	Coupling, Quick	1
23	47684	(001060-)	Fitting, Pipe	1
24	28291	(001060-)	Fitting, Elbow	3
25	48255	(001060-)	Bracket	1
	25531	(001060-)	Diode Assembly	1
26	43844	(001060-)	Clamp	1
27	48254	(001060-)	Switch, Vacuum	1
28	43849	(001060-)	Hose, Hydraulic	1
29	47395	(001060-)	Hose, LPG	1
30	49731-1	(001060-)	Tank, LP 20 lb.	1
31	33555	(001060-)	Fuel Filter Lock	1
	SK1444	(001060-)	Repair Kit, Fuel Filter Lock	1
	17507	(001060-)	Protector, Hose	1
	17947	(001060-001581)	Engine	1
	25969	(001582-)	Engine	1
32	32330	(001060-)	Door, Access	1

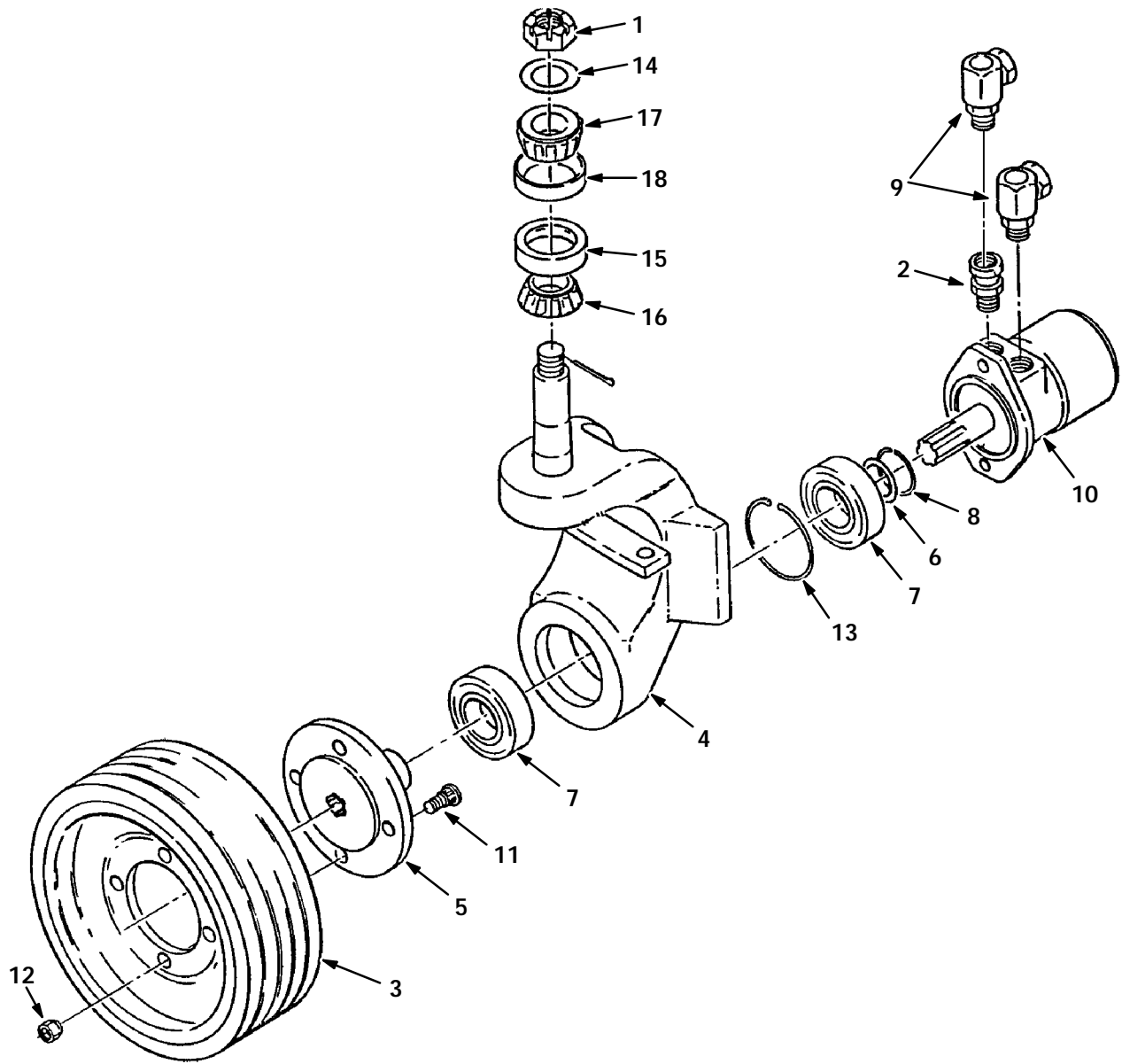


Fig. 6 - Drive Wheel Assembly

Fig. 6 - Drive Wheel Assembly

Key	TENNANT PartNo.	Machine Serial Number	Description	Qty
1	14242	(001060-)	Nut, Hex Sloted	1
2	11442-22	(001060-)	Fitting, Straight	1
3	17683	(001060-)	Wheel	1
4	17695	(001060-)	Support, Rear	1
5	17613	(001060-)	Wheel Hub Assembly	1
6	17697-1	(001060-)	Washer	1
	17697-2	(001060-)	Washer	1
	17697-3	(001060-)	Washer	1
7	17753	(001060-)	Bearing	2
8	17757	(001060-)	Ring, Retaining	1
9	17804	(001060-)	Fitting, Elbow	2
10	SK2352	(001060-)	Motor, Hydraulic	1
11	32126	(001060-)	Studs	4
12	24339	(001060-)	Nut	4
13	44054	(001060-)	Ring, Retaining	1
14	17698	(001060-)	Sleeve	1
15	17808	(001060-)	Bearing Cup	1
16	17809	(001060-)	Bearing Cone	1
17	24988	(001060-)	Bearing Cone	1
18	24989	(001060-)	Bearing Cup	1

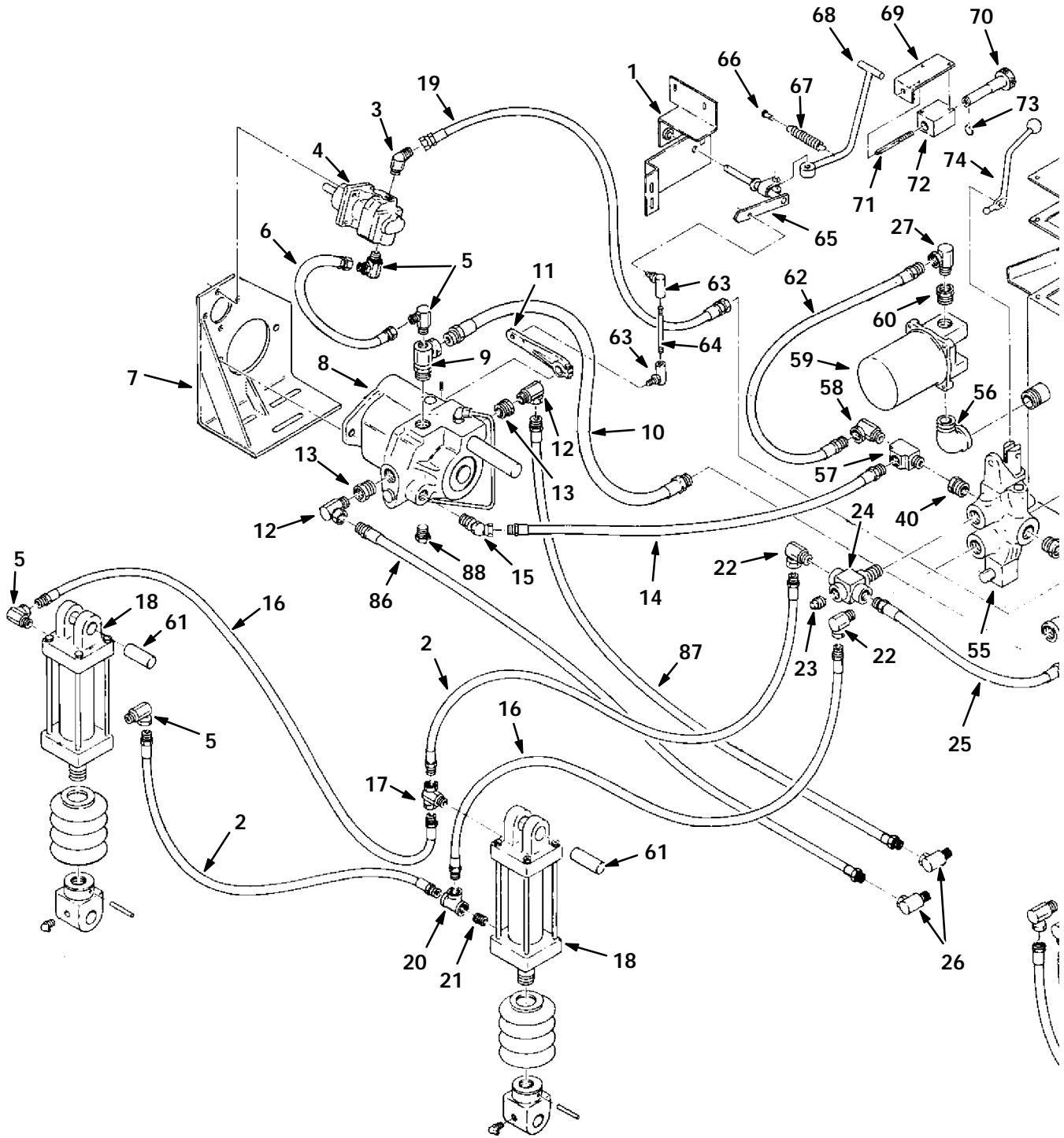


Fig. 7 - Hydraulic System with Vickers TA15 Pump

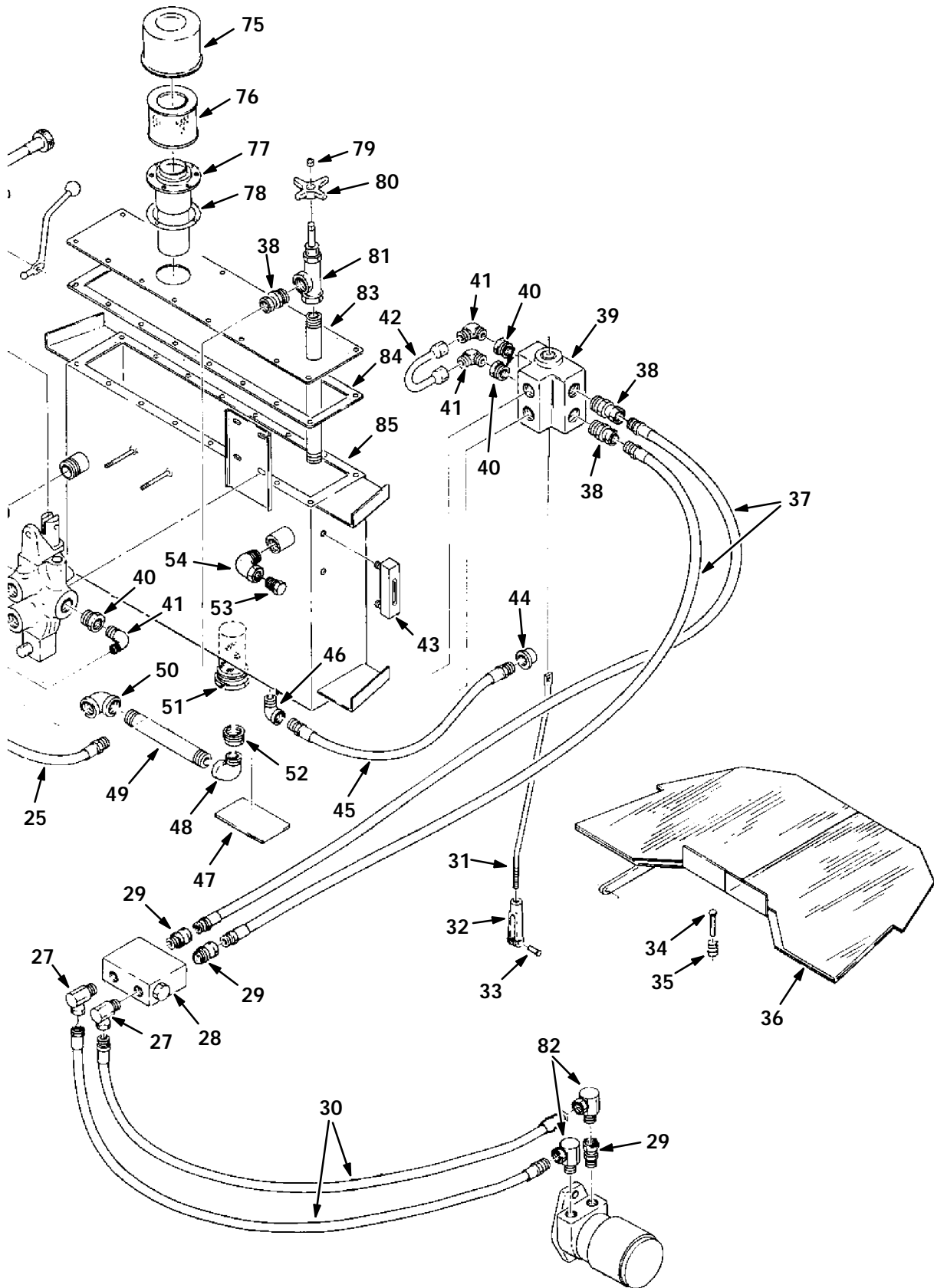


Fig. 7 - Hydraulic System with Vickers TA15 Pump

Fig. 7 - Hydraulic System with Vickers TA15 Pump

Key	TENNANT PartNo.	Machine Serial Number	Description	Qty
1	17964	(001060-001194)	Bracket, Control	1
2	11442-18	(001060-001194)	Hose, Hydraulic	3
3	23301	(001060-001194)	Fitting, Elbow 45°	1
4	SK2670	(001060-001194)	Pump, Barnes	1
5	11442-1	(001060-001194)	Fitting, Elbow	4
6	17400-4	(001060-001194)	Hose, Hydraulic	1
7	17701	(001060-001194)	Bracket, Pump	1
8	48151-1	(001060-001194)	Pump, Hydraulic	1
9	48139	(001060-001194)	Fitting, Elbow (with tapped hole)	1
10	17400-5	(001060-001194)	Hose, Hydraulic	1
11	48180-2	(001060-001194)	Lever, Pump Control	1
12	23718	(001060-001194)	Fitting, Elbow	2
13	17814	(001060-001194)	Fitting, Straight	2
14	17400-28	(001060-001194)	Hose, Hydraulic	1
15	17788	(001060-001194)	Fitting, Elbow 45°	1
16	17400-3	(001060-001194)	Hose, Hydraulic	2
17	17400-13	(001060-001194)	Fitting, Tee	1
18	17593-1	(001060-001194)	Cylinder, Lift Brush	2
19	17400-28	(001060-001194)	Hose, Hydraulic	1
20	56976A	(001060-001194)	Fitting, Tee	1
21	10770	(001060-001194)	Fitting, Pipe, Nipple	1
22	SK2819	(001060-001194)	Elbow	2
23	02351	(001060-001194)	Fitting, Plug	1
24	17950	(001060-001194)	Fitting, Tee	1
25	11442-15	(001060-001194)	Hose, Hydraulic	1
26	11442-20	(001060-001194)	Fitting, Elbow	2
27	11442-2	(001060-001194)	Fitting, Elbow	3
28	17845	(001060-001194)	Valve, Hydraulic	1
29	11442-22	(001060-001194)	Fitting, Straight	2
30	17770	(001060-001194)	Hose, Hydraulic	2
31	17864	(001060-001194)	Rod, Control	1
32	14330	(001060-001194)	Yoke, End	1
33	14331	(001060-001194)	Pin, Clevis	1
34	17461	(001060-001194)	Pin, Clevis	1
35	17468	(001060-001194)	Spring	1
36	17959	(001060-001194)	Platform and Mat Assembly	1
37	17768	(001060-001194)	Hose, Hydraulic	2
38	35030	(001060-001194)	Fitting, Straight	3
39	17846	(001060-001194)	Valve, Hydraulic	1
	SK1703	(001060-001194)	Seal Kit	1
40	11442-8	(001060-001194)	Fitting, Straight	4
41	17771	(001060-001194)	Fitting, Elbow	2
42	17772	(001060-001194)	Tube	1
43	48081	(001060-001194)	Gauge, Sight	1
44	02565	(001060-001194)	Fitting, Cap	1
45	11442-16	(001060-001194)	Hose, Hydraulic	1
46	11869	(001060-001194)	Fitting, Elbow	1
47	17885	(001060-001194)	Bar, Flat	1
48	07482	(001060-001194)	Fitting, Elbow	1
49	17789	(001060-001194)	Fitting, Pipe, Nipple	1
50	23563	(001060-001194)	Fitting, Elbow	1
51	17464	(001060-001194)	Strainer	1
52	17400-23	(001060-001194)	Fitting, Straight	1

Key	TENNANT PartNo.	Machine Serial Number	Description	Qty
53	17400-27	(001060-001194)	Fitting, Cap	1
54	07482	(001060-001194)	Fitting, Elbow	1
55	17838	(001060-001194)	Valve	1
	SK1705	(001060-001194)	Seal Kit	1
56	26340	(001060-001194)	Fitting, Elbow	1
57	17400-11	(001060-001194)	Fitting, Tee	1
58	23718	(001060-001194)	Fitting, Elbow	1
59	17596	(001060-001194)	Filter, Oil	1
	52582	(001060-001194)	Element	1
60	17790	(001060-001194)	Fitting, Straight	1
61	11436	(001060-001194)	Shaft	1
62	17400-28	(001060-001194)	Hose, Hydraulic	1
63	14506	(001060-001194)	Ball Joint	2
64	17744	(001060-001194)	Stud	1
65	17968A	(001060-001194)	Control Arm	1
66	23786	(001060-001194)	Pin, Clevis	1
67	03091	(001060-001194)	Spring	1
68	17737	(001060-001194)	Arm	1
69	17823	(001060-001194)	Bracket	1
70	17739	(001060-001194)	Knob, Adjusting, Speed	1
71	17824	(001060-001194)	Rod, Speed	1
72	17725	(001060-001194)	Block	1
73	18136	(001060-001194)	Ring, Retaining	1
74	17374	(001060-001194)	Handle, Hydraulic Valve	1
75	24949	(001060-001194)	Filter Cover	1
76	24908	(001060-001194)	Filter, Element, Air	1
77	24902	(001060-001194)	Filter Base	1
78	23686	(001060-001194)	Gasket	1
79	17486	(001060-001194)	Nut, Allen	1
80	17281	(001060-001194)	Knob	1
81	16998	(001060-001194)	Valve, Needle	1
82	17804	(001060-001194)	Fitting, Elbow	2
83	17700	(001060-001194)	Cover	1
84	17709	(001060-001194)	Gasket, Tank Cover	1
85	17708	(001060-001194)	Tank	1
86	17769	(001060-001194)	Hose, Hydraulic	1
87	17768	(001060-001194)	Hose, Hydraulic	1
88	46482	(001060-001194)	Fitting	1

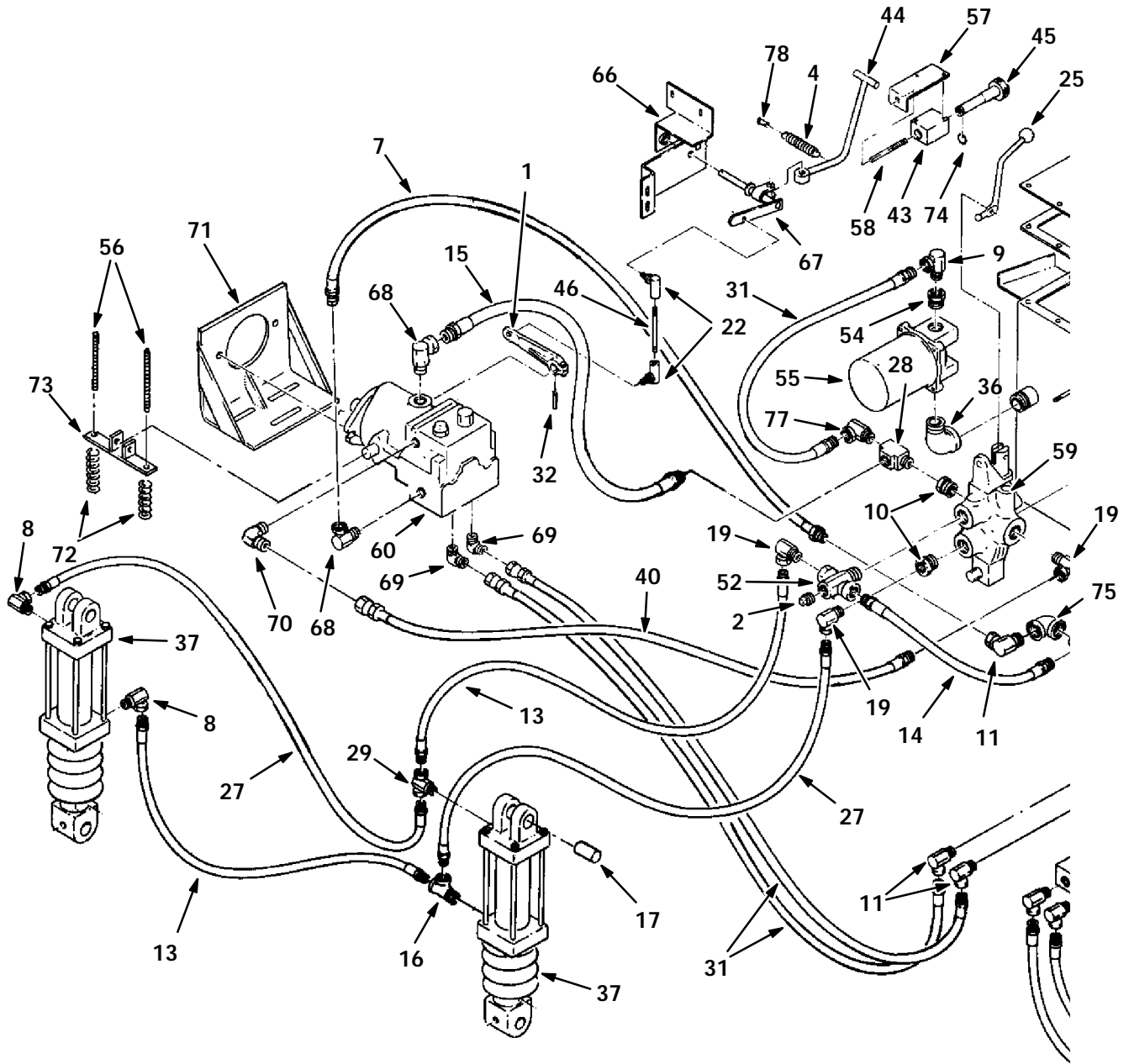


Fig. 8 - Hydraulic System with Vickers TA6 Pump

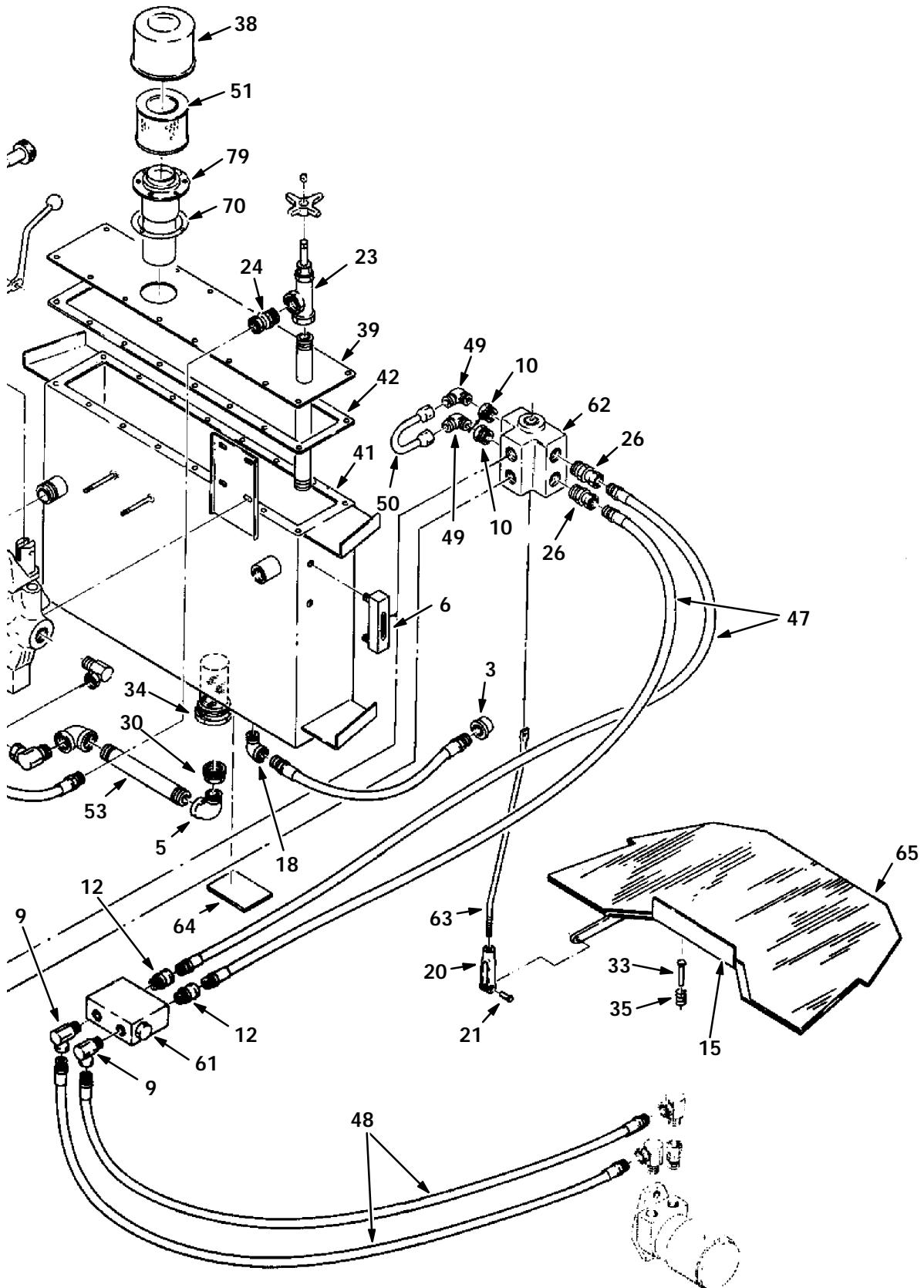


Fig. 8 - Hydraulic System with Vickers TA6 Pump

Fig. 8 - Hydraulic System with Vickers TA6 Pump

Key	TENNANT Part No.	Machine Serial Number	Description	Qty
1	48180-2	(001195-001256)	Lever, Pump Control	1
2	02351	(001195-001256)	Fitting, Plug	1
3	02565	(001195-001256)	Fitting, Cap	1
4	03091	(001195-001256)	Spring	1
5	07482	(001195-001256)	Fitting, Elbow	1
6	48081	(001195-001256)	Gauge, Sight	1
7	17984	(001195-001256)	Hose, Hydraulic	1
8	11442-1	(001195-001256)	Fitting, Elbow	2
9	11442-2	(001195-001256)	Fitting, Elbow	2
10	11442-8	(001195-001256)	Fitting, Straight	4
11	11442-20	(001195-001256)	Fitting, Elbow	3
12	11442-22	(001195-001256)	Fitting, Straight	2
13	11442-18	(001195-001256)	Hose, Hydraulic	2
14	11442-15	(001195-001256)	Hose, Hydraulic	1
15	11442-16	(001195-001256)	Hose, Hydraulic	2
16	56976A	(001195-001256)	Fitting, Tee	1
17	11436	(001195-001256)	Shaft	2
18	11869	(001195-001256)	Fitting, Elbow	1
19	SK2819	(001195-001256)	Adaptor	3
20	14330	(001195-001256)	Yoke, End, Adjustable	1
21	14331	(001195-001256)	Pin, Clevis	1
22	14506	(001195-001256)	Ball Joint	2
23	16998	(001195-001256)	Valve, Needle	1
24	35030	(001195-001256)	Fitting, Straight	1
25	17374	(001195-001256)	Handle, Valve	1
26	35030	(001195-001256)	Fitting, Straight	2
27	17400-3	(001195-001256)	Hose, Hydraulic	2
28	17400-11	(001195-001256)	Fitting, Tee	1
29	17400-13	(001195-001256)	Fitting, Tee	1
30	17400-23	(001195-001256)	Fitting, Straight	1
31	17400-28	(001195-001256)	Hose, Hydraulic	3
32	17404	(001195-001256)	Pin, Roll	1
33	17461	(001195-001256)	Pin, Clevis	1
34	17464	(001195-001256)	Strainer	1
35	17468	(001195-001256)	Spring	1
36	26340	(001195-001256)	Fitting, Elbow	1
37	17593-1	(001195-001256)	Cylinder, Lift Brush	1
38	24949	(001195-001256)	Filter Cover	1
39	17700	(001195-001256)	Cover	1
40	17982	(001195-001256)	Hose, Hydraulic	1
41	17708	(001195-001256)	Tank, Hydraulic	1
42	17709	(001195-001256)	Gasket, Tank Cover	1
43	17725	(001195-001256)	Block	1
44	17737	(001195-001256)	Arm	1
45	17739	(001195-001256)	Knob, Adjusting, Speed	1
46	17744	(001195-001256)	Stud	1
47	17768	(001195-001256)	Hose, Hydraulic	2
48	17770	(001195-001256)	Hose, Hydraulic	2
49	17771	(001195-001256)	Fitting, Elbow	2
50	17772	(001195-001256)	Tube	1
51	24908	(001195-001256)	Filter Element, Air	1
52	17950-1	(001195-001256)	Fitting, Tee	1

Key	TENNANT Part No.	Machine Serial Number	Description	Qty
53	17789	(001195-001256)	Fitting, Pipe, Nipple	1
54	17790	(001195-001256)	Fitting, Straight	1
55	17596	(001195-001256)	Filter, Oil	1
55	52582	(001195-001256)	Filter Element, Oil	1
56	17800	(001195-001256)	Stud	2
57	17823	(001195-001256)	Bracket	1
58	17824	(001195-001256)	Rod, Speed	1
59	17838	(001195-001256)	Valve	1
	SK1705	(001195-001256)	Seal Kit	1
60	17842	(001195-001256)	Pump	1
	SK1111	(001195-001256)	Seal Kit	1
61	17845	(001195-001256)	Valve	1
62	17846	(001195-001256)	Valve	1
	SK1703	(001195-001256)	Seal Kit	1
63	17864	(001195-001256)	Rod, Control	1
64	17885	(001195-001256)	Bar, Flat	2
65	17959	(001195-001256)	Platform Mat Assembly	1
66	17964	(001195-001256)	Bracket, Control	1
67	17968A	(001195-001256)	Arm, Control	1
68	17983	(001195-001256)	Fitting, Elbow	2
69	17981	(001195-001256)	Fitting, Elbow	2
70	17980	(001195-001256)	Fitting, Elbow	1
71	17987	(001195-001256)	Pump Mount	1
72	17989	(001195-001256)	Spring	2
73	17991	(001195-001256)	Arm, Centering	1
74	18136	(001195-001256)	Ring, Retaining	1
75	23563	(001195-001256)	Fitting, Elbow	1
76	23686	(001195-001256)	Gasket	1
77	23718	(001195-001256)	Fitting, Elbow	1
78	23786	(001195-001256)	Pin, Clevis	1
79	24902	(001195-001256)	Filter Base	1

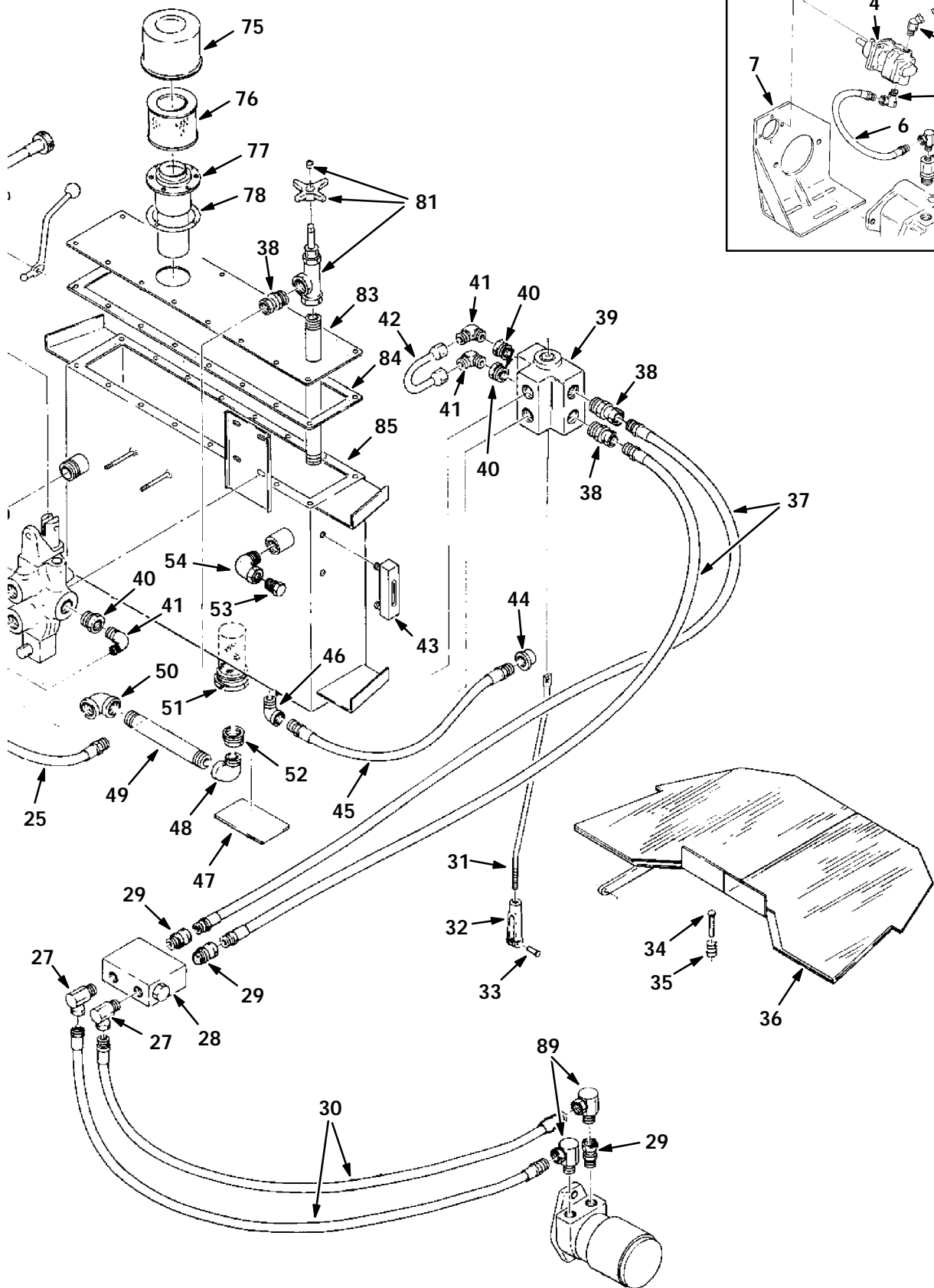


Fig. 9 - Hydraulic System with Vickers TA15 Pump

Fig. 9 - Hydraulic System with Vickers TA15 Pump

Key	TENNANT PartNo.	Machine Serial Number	Description	Qty
1	17964	(001257-)	Bracket, Control	1
2	11442-18	(001257-)	Hose, Hydraulic	3
3	23301	(001257-001505)	Fitting, Elbow 45°	1
4	SK2670	(001257-001505)	Pump, Barnes	1
5	11442-1	(001257-001505)	Fitting, Elbow	4
6	17400-4	(001257-001505)	Hose, Hydraulic	1
7	17701	(001257-001505)	Bracket, Pump	1
8	47917-1	(001257-)	Pump, Hydraulic	1
9	48139	(001257-)	Fitting, Elbow (with tapped hole)	1
10	17400-5	(001257-)	Hose, Hydraulic	1
11	48180-2	(001257-)	Lever, Pump Control	1
12	23718	(001257-)	Fitting, Elbow	2
13	17814	(001257-)	Fitting, Straight	2
14	17400-28	(001257-001506)	Hose, Hydraulic	1
15	17788	(001257-)	Fitting, Elbow 45°	1
16	17400-3	(001257-)	Hose, Hydraulic	2
17	17400-13	(001257-)	Fitting, Tee	1
18	41704	(001257-001603)	Replacement Kit, Cylinder	2
19	11687	(001257-)	Boot, Rubber	2
20	11048	(001257-)	Fitting, Grease	2
21	11516	(001257-)	Pin, Roll	2
22	31957	(001604-)	Cylinder, Lift Brush (see Hydraulic components)	2
23	02351	(001257-)	Fitting, Plug	1
24	17950	(001257-)	Fitting, Tee	1
25	11442-15	(001257-)	Hose, Hydraulic	1
26	11442-20	(001257-)	Fitting, Elbow	2
27	11442-2	(001257-)	Fitting, Elbow	3
28	17845	(001257-)	Valve, Hydraulic	1
29	11442-22	(001257-)	Fitting, Straight	2
30	17770	(001257-)	Hose, Hydraulic	2
31	17864	(001257-)	Rod, Control	1
32	14330	(001257-)	Yoke, End	1
33	14331	(001257-)	Pin, Clevis	1
34	17461	(001257-)	Pin, Clevis	1
35	17468	(001257-)	Spring	1
36	17959	(001257-)	Platform and Mat Assembly	1
37	17768	(001257-)	Hose, Hydraulic	2
38	35030	(001257-)	Fitting, Straight	3
39	17846	(001257-)	Valve, Hydraulic	1
	SK1703	(001257-)	Seal Kit	1
40	11442-8	(001257-)	Fitting, Straight	4
41	17771	(001257-)	Fitting, Elbow	2
42	17772	(001257-)	Tube	1
43	48081	(001257-)	Gauge, Sight	1
44	02565	(001257-)	Fitting, Cap	1
45	11442-16	(001257-)	Hose, Hydraulic	1
46	11869	(001257-)	Fitting, Elbow	1
47	17885	(001257-)	Bar, Flat	1
48	07482	(001257-)	Fitting, Elbow	1
49	17789	(001257-)	Fitting, Pipe, Nipple	1
50	23563	(001257-)	Fitting, Elbow	1
51	17464	(001257-)	Strainer	1
52	17400-23	(001257-)	Fitting, Straight	1

Key	TENNANT PartNo.	Machine Serial Number	Description	Qty
53	17400-27	(001257-)	Fitting, Cap	1
54	07482	(001257-)	Fitting, Elbow	1
55	17838	(001257-)	Valve	1
	SK1705	(001257-)	Seal Kit	1
56	26340	(001257-)	Fitting, Elbow	1
57	17400-11	(001257-)	Fitting, Tee	1
58	23718	(001257-)	Fitting, Elbow	1
59	17596	(001257-)	Filter, Oil	1
	52582	(001257-)	Element	1
60	17790	(001257-)	Fitting, Straight	1
61	11436	(001257-)	Shaft	1
62	17400-28	(001257-)	Hose, Hydraulic	1
63	51531	(001257-)	Ball Joint	2
64	17744	(001257-)	Stud	1
65	17968A	(001257-)	Control Arm	1
66	23786	(001257-)	Pin, Clevis	1
67	03091	(001257-)	Spring	1
68	17737	(001257-)	Arm	1
69	17823	(001257-)	Bracket	1
70	17739	(001257-)	Knob, Adjusting, Speed	1
71	17824	(001257-)	Rod, Speed	1
72	17725	(001257-)	Block	1
73	18136	(001257-)	Ring, Retaining	1
74	17374	(001257-)	Handle, Hydraulic Valve	1
75	24949	(001257-)	Filter Cover	1
76	24908	(001257-)	Filter, Element, Air	1
77	24902	(001257-)	Filter Base	1
78	23686	(001257-)	Gasket	1
79	10770	(001257-)	Fitting, Pipe, Nipple	1
80	SK2819	(001257-)	Elbow	2
81	16998	(001257-)	Valve, Needle	1
82	52402	(001257-001506)	Fitting, Hydraulic	1
83	17700	(001257-)	Cover	1
84	17709	(001257-)	Gasket, Tank Cover	1
85	17708	(001257-)	Tank	1
86	17769	(001257-)	Hose, Hydraulic	1
87	17768	(001257-)	Hose, Hydraulic	1
88	46482	(001257-)	Fitting	1
89	17804	(001257-)	Fitting, Elbow	2
90	31693	(001506-)	Spacer	1
91	31694	(001506-)	Plate, Pump	1
92	16472	(001506-)	Fitting, Elbow 45°	1
93	16432	(001506-)	Pump, Hydraulic	1
94	47512	(001506-)	Fitting, Elbow	3
95	16430	(001506-)	Hose, Hydraulic	1
96	31698	(001506-)	Bracket, Pump	1
97	52424	(001506-)	Fitting, Elbow	1
98	17400-28	(001506-)	Hose, Hydraulic	1
99	56976A	(001257-)	Fitting, Tee	1

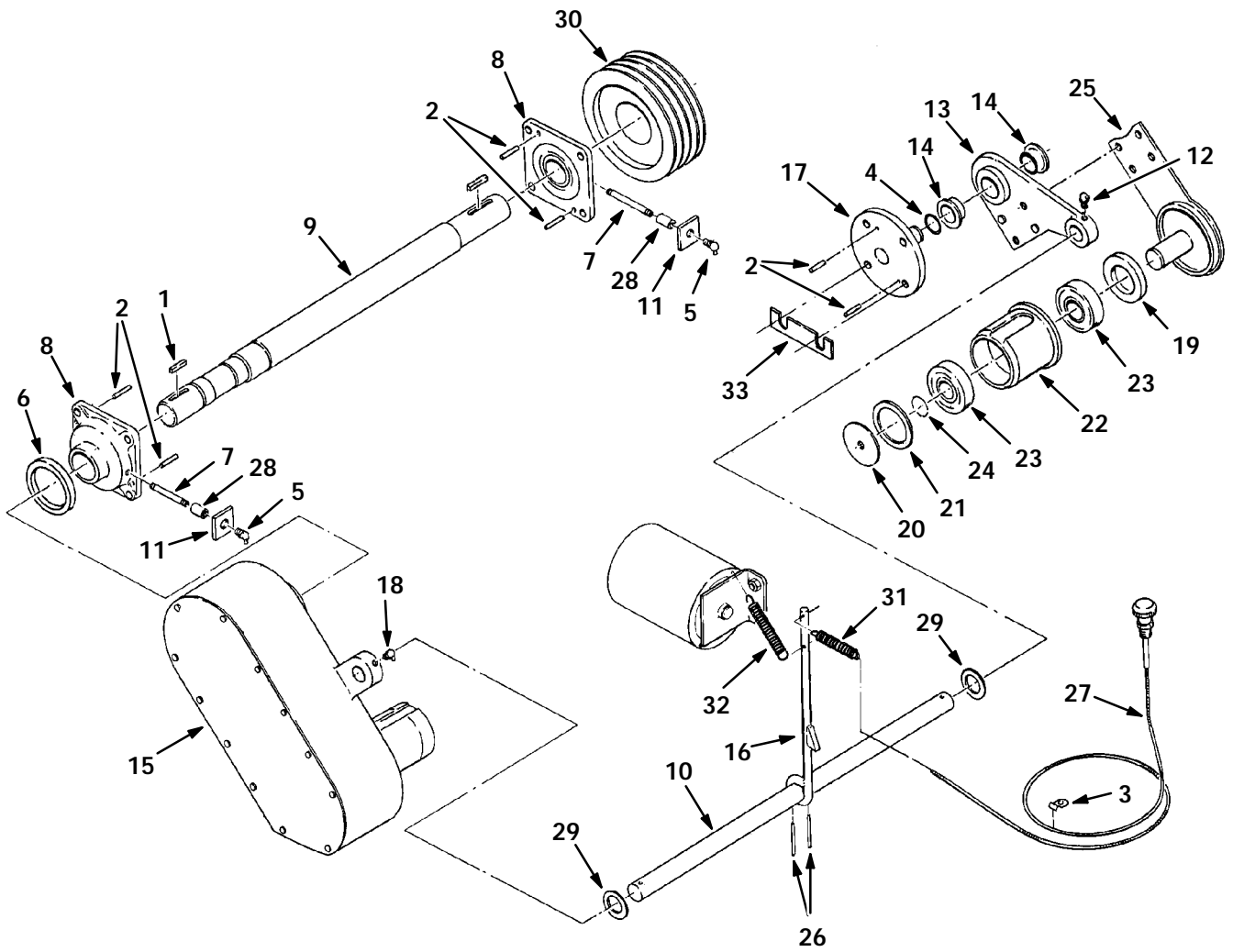
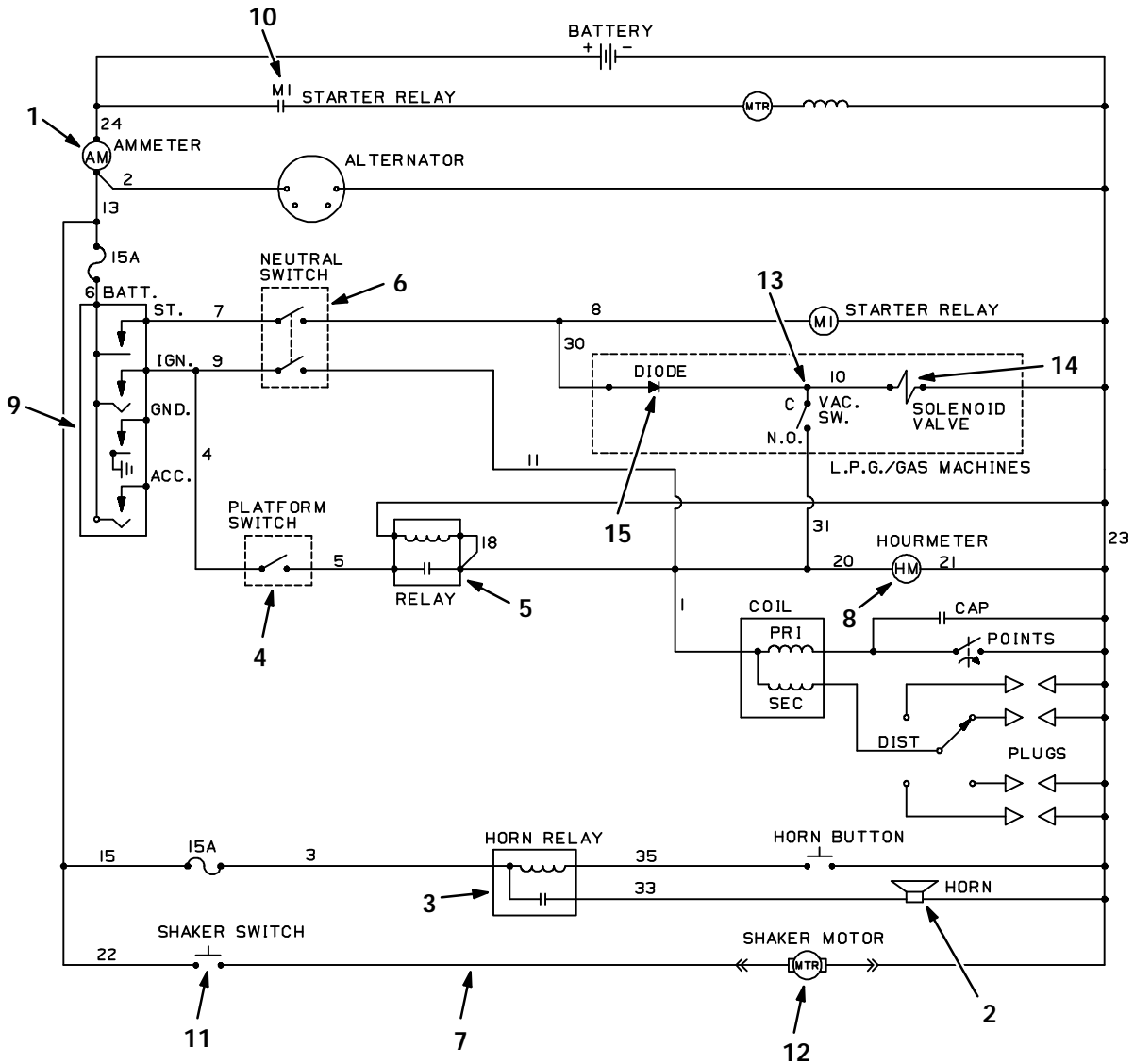


Fig. 10 - Tool Drive Group

Fig. 10 - Tool Drive Group

Key	TENNANT Part No.	Machine Serial Number	Description	Qty
1	00951	(001060-)	Key, Square	1
2	11536	(001060-)	Tube	6
3	09092-1	(001060-)	Clamp	1
4	09667	(001060-)	Washer	1
5	11048	(001060-)	Fitting, Grease	2
6	11832	(001060-001365)	Seal, Felt	1
6	11832A	(001366-)	Seal, Felt	1
7	11847	(001060-)	Fitting, Pipe, Nipple	2
8	SK2186	(001060-001365)	Bearing, Flange	2
8	11830A	(001366-)	Bearing, Flange	2
9	17030	(001060-)	Shaft, Counter, Tool Drive	1
10	17126	(001060-)	Shaft, Stabelizer	1
11	17485	(001060-)	Seal	2
	17502	(001060-)	Arm and Bushing Assembly, Hanger	1
12	47801	(001060-)	Fitting, Grease	1
13	17026	(001060-)	Arm, Hanger, Upper	1
14	17179	(001060-)	Bearing, Flange	2
15	17609	(001060-)	Chain Drive Assembly	1
16	17730	(001060-)	Hanger	1
17	17767	(001060-)	Stub Shaft and Flange	1
18	09718	(001060-)	Fitting, Grease	1
	17805	(001060-)	Hanger Arm and Plug Assembly	1
19	09660	(001060-)	Sleeve	1
20	17022	(001060-)	Washer	1
21	17023	(001060-)	Sleeve	1
22	17028	(001060-)	Plug, Idler	1
23	17180	(001060-)	Bearing	2
24	17181	(001060-)	Ring, Retaining	1
25	17806	(001060-)	Arm, Idler	1
26	17819	(001060-)	Pin, Roll	2
27	46105A	(001060-)	Cable, Lockup	1
28	11848	(001060-)	Fitting, Pipe	2
29	17972	(001060-)	Washer	4
30	17736	(001060-)	Sheave	1
31	28281	(001060-)	Spring	1
32	03091	(001060-)	Spring	1
33	09715B	(001060-)	Shim, .010	3



LEGEND			
M	POWER RELAY	HM	HOURMETER
MTR	MOTOR	SV	SOLENOID VALVE
CB	CIRCUIT BREAKER	S	SWITCH
PM	PERMANENT MAGNET	ACC	ACCESSORY
J	JACK-FEM. SOCKET	GND	GROUND CHASSIS
P	PLUG-MALE PIN	C	COMMON
PB	PUSHBUTTON	N.O.	NORMALLY OPEN
VM	VOLTMETER	N.C.	NORMALLY CLOSED
FU	FUSE		

Fig. 11 - Electrical Diagram

Fig. 11 - Electrical Diagram

Key	TENNANT Part No.	Machine Serial Number	Description	Qty
1	07422	(001060-)	Holder, Fuse	2
	07423	(001060-)	Fuse, 15A	2
	14127	(001060-)	Ammeter	1
	14138A	(001060-)	Horn, 12V	1
	32300	(001060-001598)	Replacement Kit, Horn Relay, 12V	1
3	12927	(001599-)	Horn Relay, 12V	1
	10143	(001060-)	Battery, 12V	1
	11893	(001060-)	Eye Bolt	2
	13015	(001060-)	Bolt, Hold Down, Battery	2
	13016	(001060-)	Bracket, Hold Down, Battery	1
4	17463	(001060-)	Switch, Micro	1
5	17677	(001060-)	Relay, 12V	1
	17644	(001060-001598)	Wire Harness Includes wires: 1, 2, 3, 4, 5, 6, 7, 8, 9, 10, 11, 13, 15, 18, 20, 21, 22, 23, 24, 30, 31, 33	1
	17508	(001599-)	Wire Harness Includes wires: 1, 2, 3, 4, 5, 6, 7, 8, 9, 10, 11, 13, 15, 18, 20, 21, 22, 23, 24, 30, 31, 33	1
6	17961	(001060-)	Switch, Micro	1
7	24108-1	(001060-)	Lead, Shaker Motor	1
8	24518	(001060-)	Hourmeter	1
	28838	(001060-)	Meter, Hour	1
9	62530	(001060-)	Switch, Ignition	1
10	62530-1	(001060-)	Key Set, Ignition	1
	47356	(001060-)	Solenoid	1
	32142	(001060-)	Cable, Battery, Positive	1
	29831-6	(001060-)	Cable, Battery, Negative	1
11	29832-7	(001060-)	Cable, Ground	1
	44078	(001060-)	Switch	1
12	33311	(001060-)	Motor Shaker	1
13	48254	(001060-)	Switch, Vacuum LPG	1
14	17974	(001060-)	Hose and Valve Assembly, LPG	1
15	25531	(001060-)	Diode Assembly, LPG	1

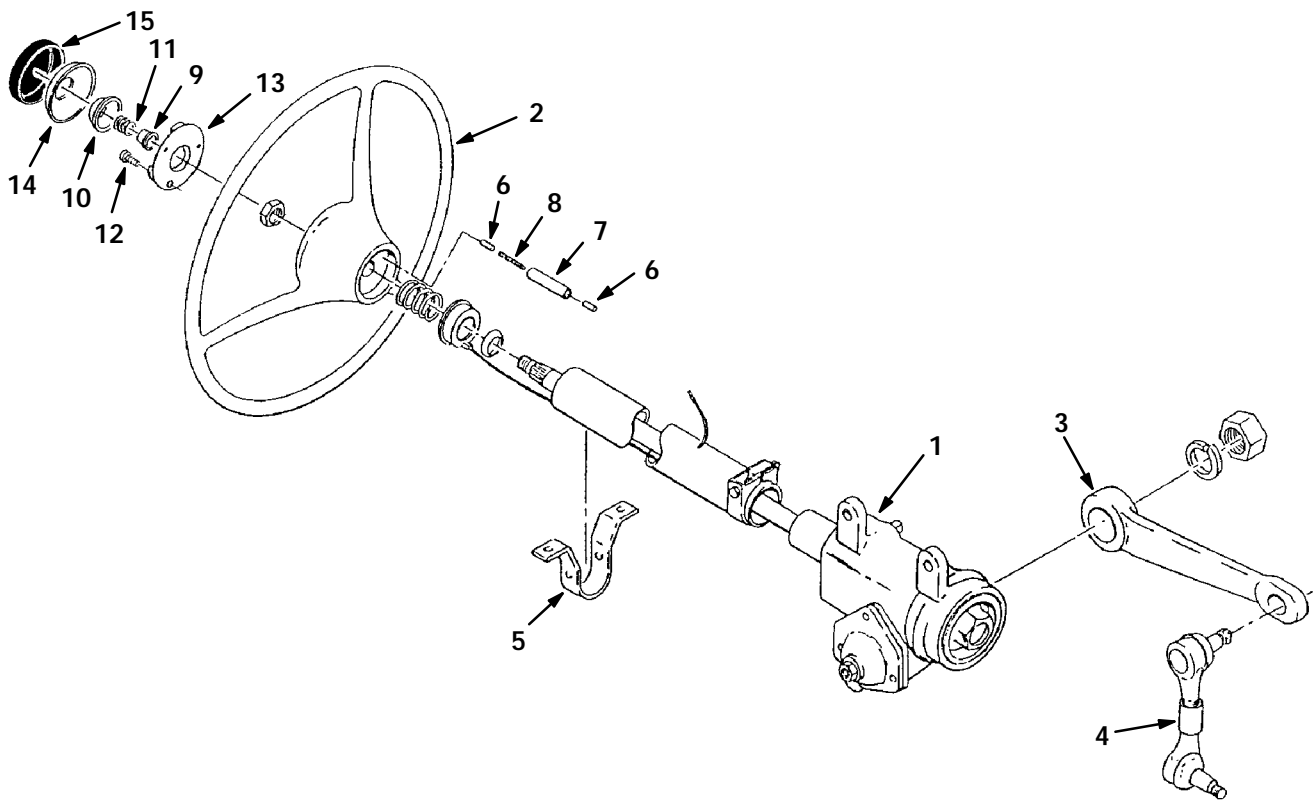


Fig. 12 - Steering Assembly

04987

Key	TENNANT PartNo.	Machine Serial Number	Description	Qty
1	17810	(001060-)	Steering Gear and Column Assembly	1
2	47008	(001060-)	Wheel, Steering	1
3	47009	(001060-)	Pitman Arm	1
4	17703	(001060-)	Link, Steering	1
5	17605	(001060-)	Brace, Steering Column	1
5	47011	(001060-)	Horn Brush Unit Assembly	1
6	46311	(001060-)	Horn Brush	2
7	46312	(001060-)	Tube	1
8	46313	(001060-)	Spring	1
9	47010-1	(001060-)	Cap, Contact	1
10	47010-2	(001060-)	Cup, Contact	1
11	47010-3	(001060-)	Spring, Horn Button	1
12	47010-4	(001060-)	Screw	3
13	47010-5	(001060-)	Base Plate Assembly	1
14	47010-6	(001060-)	Button, Horn	1
15	47010-7	(001060-)	Cover	1

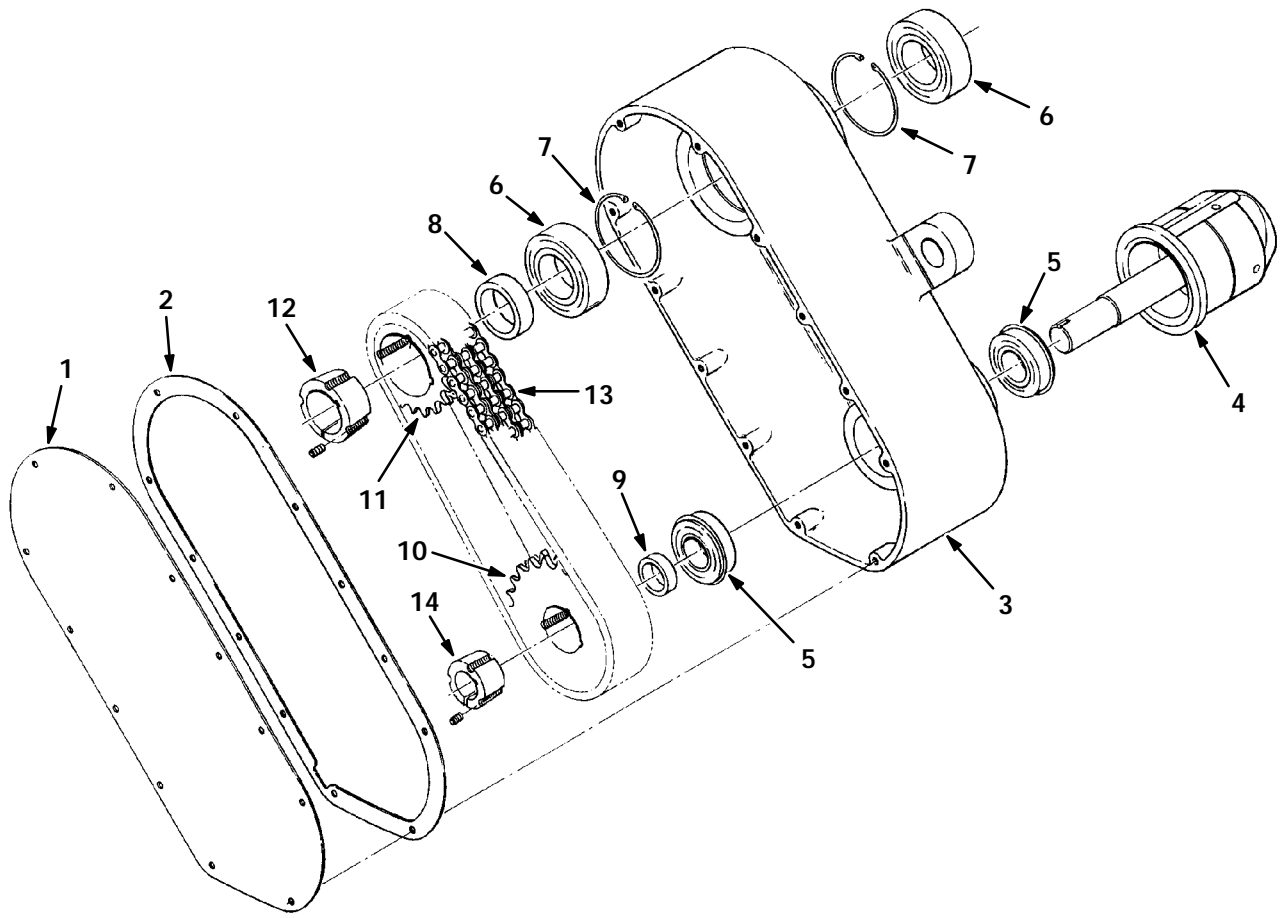


Fig. 13 - Chain Drive Assembly

01843

Key	TENNANT Part No.	Machine Serial Number	Description	Qty
	17609	(001060-)	Chain Drive Assembly	1
1	17687	(001060-)	Cover	1
2	17688	(001060-)	Gasket, Chain Case Cover	1
3	17684	(001060-)	Drive Casting, Tool	1
4	50538	(001060-)	Plug, Brush Drive L.H.	1
5	17754	(001060-)	Bearing	2
6	11742	(001060-)	Bearing	2
7	17756	(001060-)	Ring, Retaining	2
8	17689	(001060-)	Sleeve	1
9	17690	(001060-)	Sleeve	1
10	17748	(001060-)	Sprocket	1
11	17750	(001060-)	Sprocket	1
12	17751	(001060-)	Bushing	1
13	33689	(001060-)	Chain Assembly	1
14	17848	(001060-)	Bushing	1

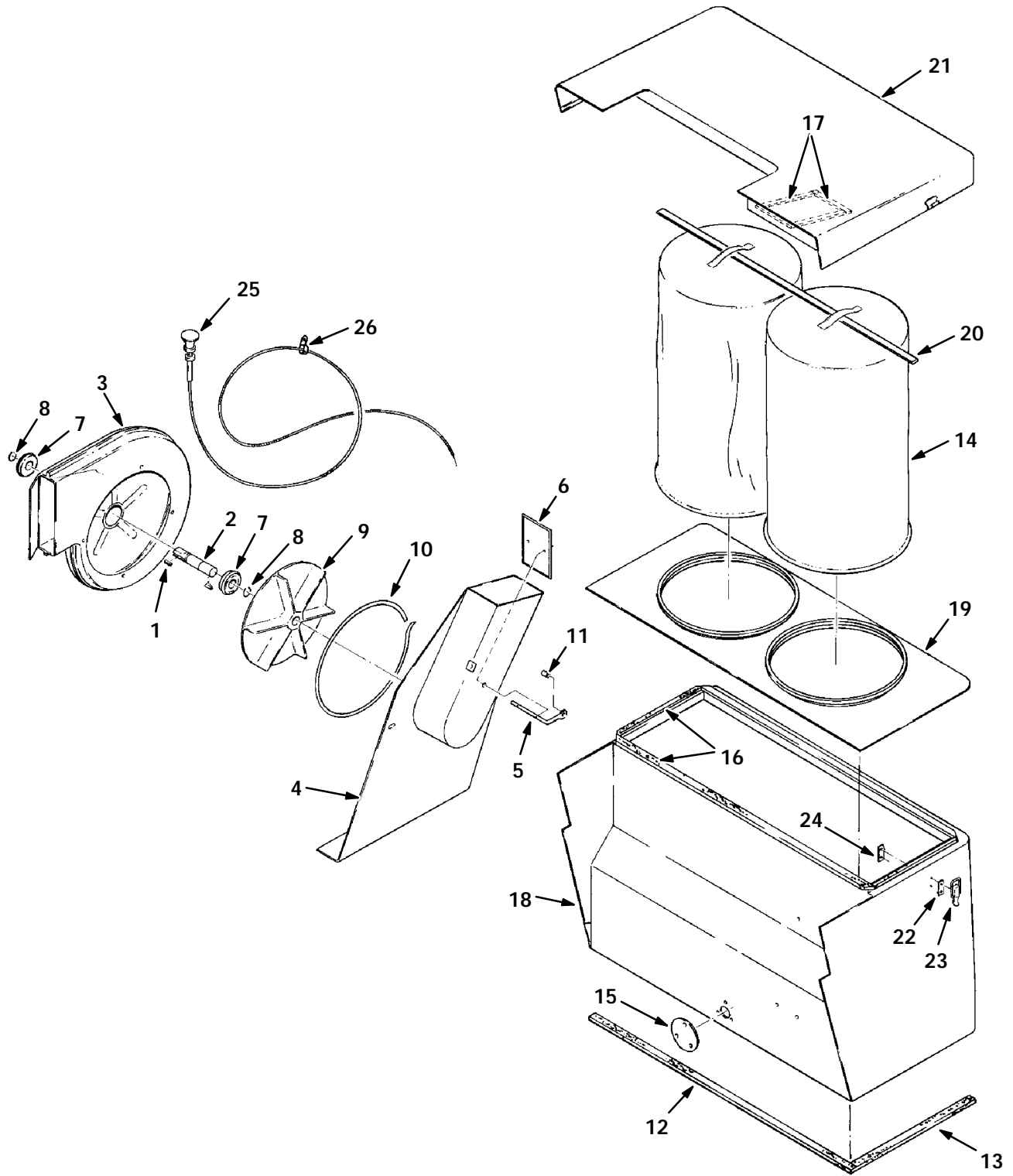


Fig. 14 - Filter Bag Group

Fig. 14 - Filter Bag Group

Key	TENNANT Part No.	Machine Serial Number	Description	Qty
	17648	(001060-)	Fan Assembly	1
1	00910	(001060-)	Key, Square	1
2	17616	(001060-)	Shaft, Fan	1
3	17617	(001060-)	Housing, Fan	1
4	17622	(001060-)	Duct, Fan	1
5	17647	(001060-)	Lever,Damper	1
6	17642	(001060-)	Damper Plate Assembly	1
7	32525	(001060-)	Bearing	2
8	23225	(001060-)	Ring, Retaining	2
9	23444	(001060-)	Impeller	1
	00500-5	(001060-)	Key	1
10	28938	(001060-)	Seal	2
11	43242	(001060-)	Swivel	1
12	17565	(001060-)	Seal, Foam	1
13	17566	(001060-)	Seal, Foam	1
13	17825	(001060-)	Filter Box Assembly	1
14	47594	(001060-)	Bag, Vacuum	2
15	17607	(001060-)	Plate, Cover	1
16	17599	(001060-)	Seal Kit	1
17	17653	(001060-)	Seal, Foam	4
18	17654	(001060-)	Filter	1
19	17680	(001060-)	Plate, Vacuum	1
20	17828	(001060-)	Bar, Flat	1
21	17925	(001060-)	Filter Cover	1
22	23515	(001060-)	Strip	6
23	23709	(001060-)	Catch, Draw	2
24	27034	(001060-)	Seal	2
	41665	(001060-)	Nut	2
25	SK2101	(001060-)	Cable, Vacuum Control	1
26	17405	(001060-)	Clamp	1

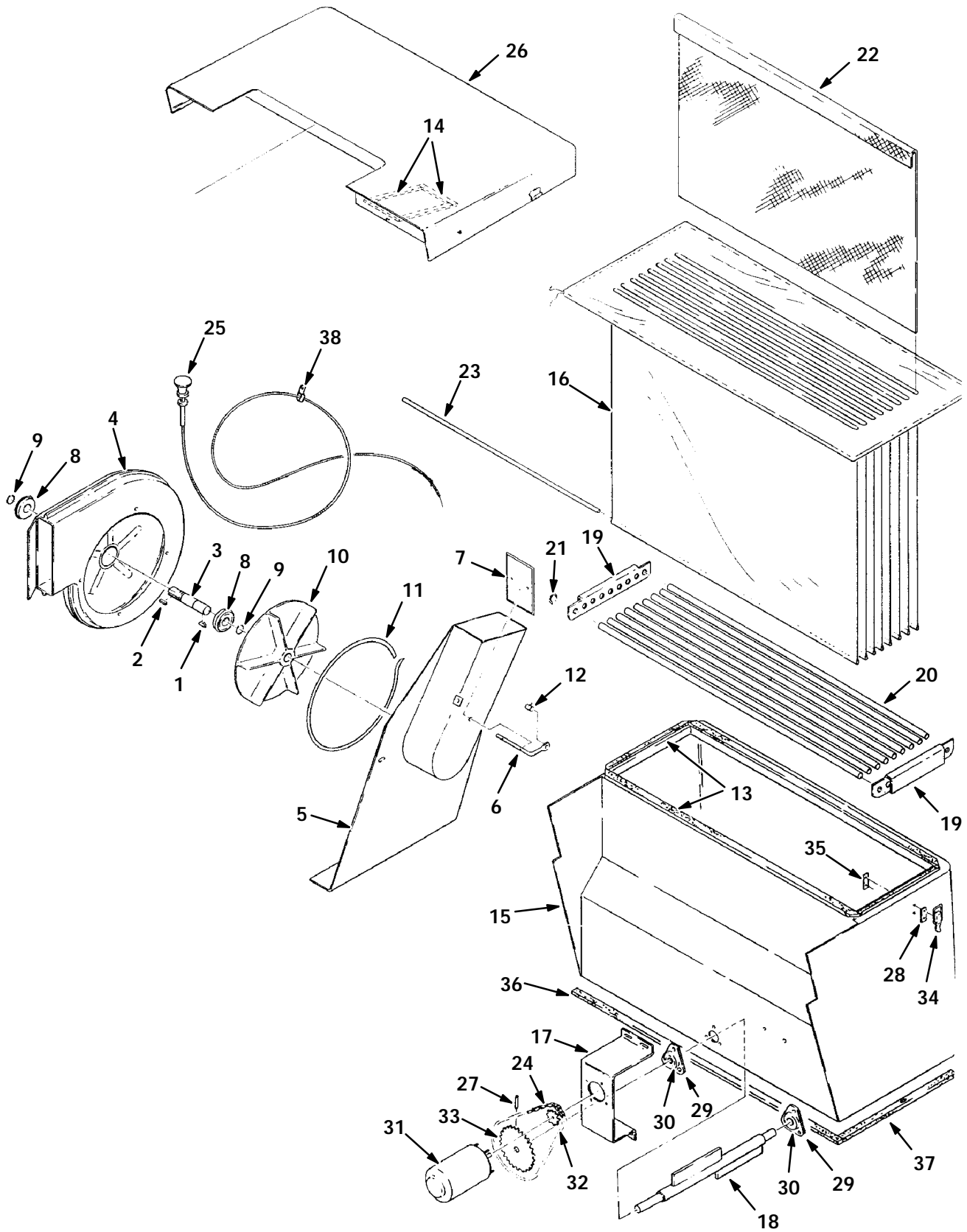


Fig. 15 - Filter Box Group

Fig. 15 - Filter Box Group

Key	TENNANT Part No.	Machine Serial Number	Description	Qty
1	17648	(001060-)	Fan Assembly	1
2	00500-5	(001060-)	Key	1
3	00910	(001060-)	Key	1
4	17616	(001060-)	Shaft, Fan	1
5	17617	(001060-)	Fan Housing	1
6	17622	(001060-)	Fan Duct	1
7	17647	(001060-)	Lever, Damper	1
8	17642	(001060-)	Damper Plate Assembly	1
9	32525	(001060-)	Bearing	2
10	23225	(001060-)	Ring, Retaining	2
11	23444	(001060-)	Impeller	1
12	28938	(001060-)	Seal	2
13	43242	(001060-)	Swivel	1
14	17646	(001060-)	Filter Box Assembly	1
15	17599	(001060-)	Seal Kit	1
16	17653	(001060-)	Seal, Foam	4
17	17654	(001060-)	Filter Box	1
18	17663	(001060-)	Filter Bag	1
19	17664	(001060-)	Mount, Shaker Motor	1
20	17665	(001060-)	Rod, Shaker	1
21	17668	(001060-)	Bag Rack Assembly	1
22	17669	(001060-)	Rack	2
23	17670	(001060-)	Tube	8
24	23524	(001060-)	Ring, Retaining	4
25	17671	(001060-)	Separotor, Filter Bag	9
26	17672	(001060-)	Rod	9
27	33687	(001060-)	Chain	1
28	SK2101	(001060-)	Cable, Vacuum Control	1
29	17925	(001060-)	Filter Cover	1
30	23146	(001060-)	Pin, Roll	1
31	23515	(001060-)	Strip	6
32	51137	(001060-)	Flange	4
33	25887	(001060-)	Bearing	2
34	33311	(001060-)	Motor	1
35	23626	(001060-)	Sprocket	1
36	23628	(001060-)	Sprocket	1
37	23709	(001060-)	Catch, Draw	2
38	27034	(001060-)	Seal	2
39	17565	(001060-)	Seal, Foam	2
40	17566	(001060-)	Seal, Foam	2
41	17405	(001060-)	Clamp	1

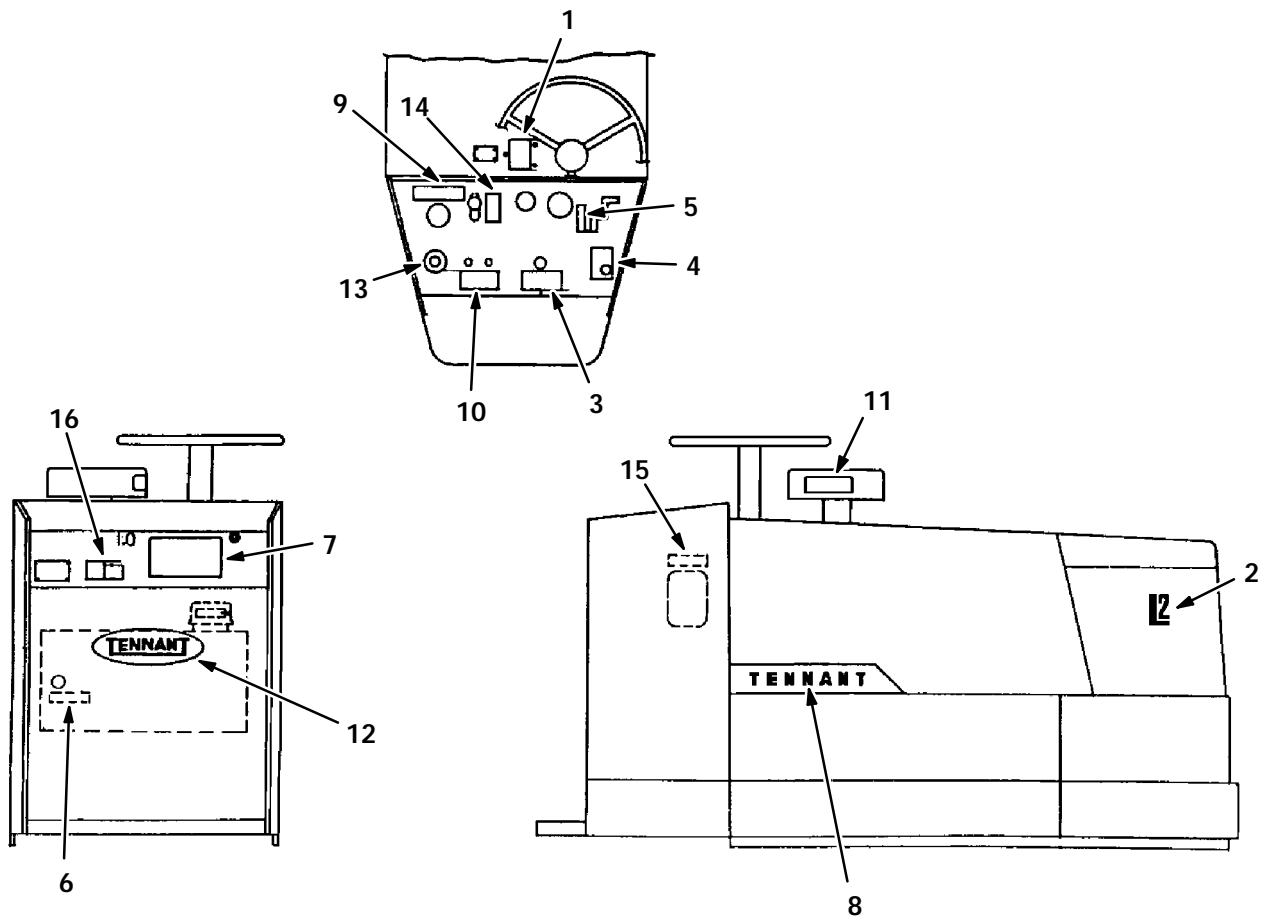


Fig. 16 - Labels Group

05003

Key	TENNANT Part No.	Machine Serial Number	Description	Qty
	33643	(001060-)	Label Kit, Complete	1
1	17898	(001060-)	Label, Tool Lock-Up/Unlock	1
2	17762	(001060-)	Label, Numerals	2
3	48242	(001060-)	Label, Alternator	1
4	46121	(001060-)	Label, Filter Shake Instructions	1
5	17882	(001060-)	Label, Forward-Reverse	1
6	32399	(001060-)	Label, Hydraulic Fluid	1
7	17844	(001060-)	Label, Operating	1
8	27159	(001060-)	Label, TENNANT® Black Letters	2
9	47902	(001060-)	Label, Tool Pressure	1
10	08885	(001060-)	Label, Warning-Emission	1
11	24669	(001060-)	Label, Caution-Clean Filter	1
12	28613-3	(001060-)	Label, TENNANT® White Oval	2
13	17764	(001060-)	Label, Tool Pressure	1
14	17763	(001060-)	Label, Tool Up-Hold-Down	1
15	19048	(001060-)	Label, Gasoline Only	1
16	08886	(001060-)	Label, Warning-Noise	1

SECTION 6**CONTENTS**

	Page
ORDERING REPAIR PARTS	6-3
Fig. 1 - Overhead Guard Kit	6-4

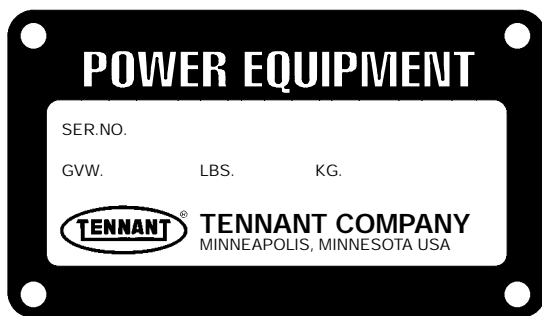
ORDERING REPAIR PARTS

The components used in this machine have been carefully selected for performance and safety. Use only Tennant Company specified or equivalent parts.

To receive prompt service in filling of your parts orders, please direct all orders for parts with Tennant Company part numbers to the Tennant Company, and all orders for parts with vendor part numbers to the local supplier of the respective vendor.

When ordering parts, please furnish all of the following information:

1. Machine model number - shown on the machine data plate.



2. Machine serial number - shown on the machine data plate.
3. Power source - gasoline, LPG, diesel, electric.
4. Company name.
5. Shipping address.
6. Billing address.
7. Name, first and last - of person ordering parts.
8. Telephone number.
9. Purchase order number.
10. Part number, description, and quantity - of each item on the order.
11. Customer ID Number.

Do not order parts by key number or the figure number of the illustrated parts. Indented items indicate parts of assemblies. Standard hardware is furnished only when part of a purchased assembly. Please get hardware from a local hardware supplier.

If the old part cannot be identified, send it to us with the quantity needed specified on the order.

Any claim for loss or damage to a shipment in transit should be filed promptly against the transportation company making the delivery. Shipments will be complete unless the packing list or order acknowledgement indicate items back ordered.

If parts received are suspected to be incorrect or defective, please write, wire, or phone the Tennant Company representative from whom you ordered the part. They will give authorization for return and/or handle replacement shipments when required.

SERIAL NUMBER INFORMATION EXPLANATION

Serial number listings are shown to indicate on which machines each part can be used. These listings are explained by the following examples:

(001060-) The part can be used on all machines.

(003342-) The part can be used on all machines beginning with the serial number listed.

(001060-004320) The part can be used on all machines up to and including serial number listed.

(004321-005678) The part can be used on all machines between and including the serial numbers listed.

Where xxxxxx's are listed in place of a serial number, it indicates a change was made but the exact serial number had not been established when the catalog went to press.

SI UNITS OF MEASURE (INTERNATIONAL SYSTEM)

Metric equivalents have been included, where applicable, throughout this parts catalog.

FASTENER STRENGTH IDENTIFICATION

Fasteners required to have high-strength qualities equivalent to SAE Grade 8 are identified throughout this catalog by the description GR 8. Unless identified by this description, all standard fasteners are SAE Grade 5.

(Specifications and design subject to change without notice.)

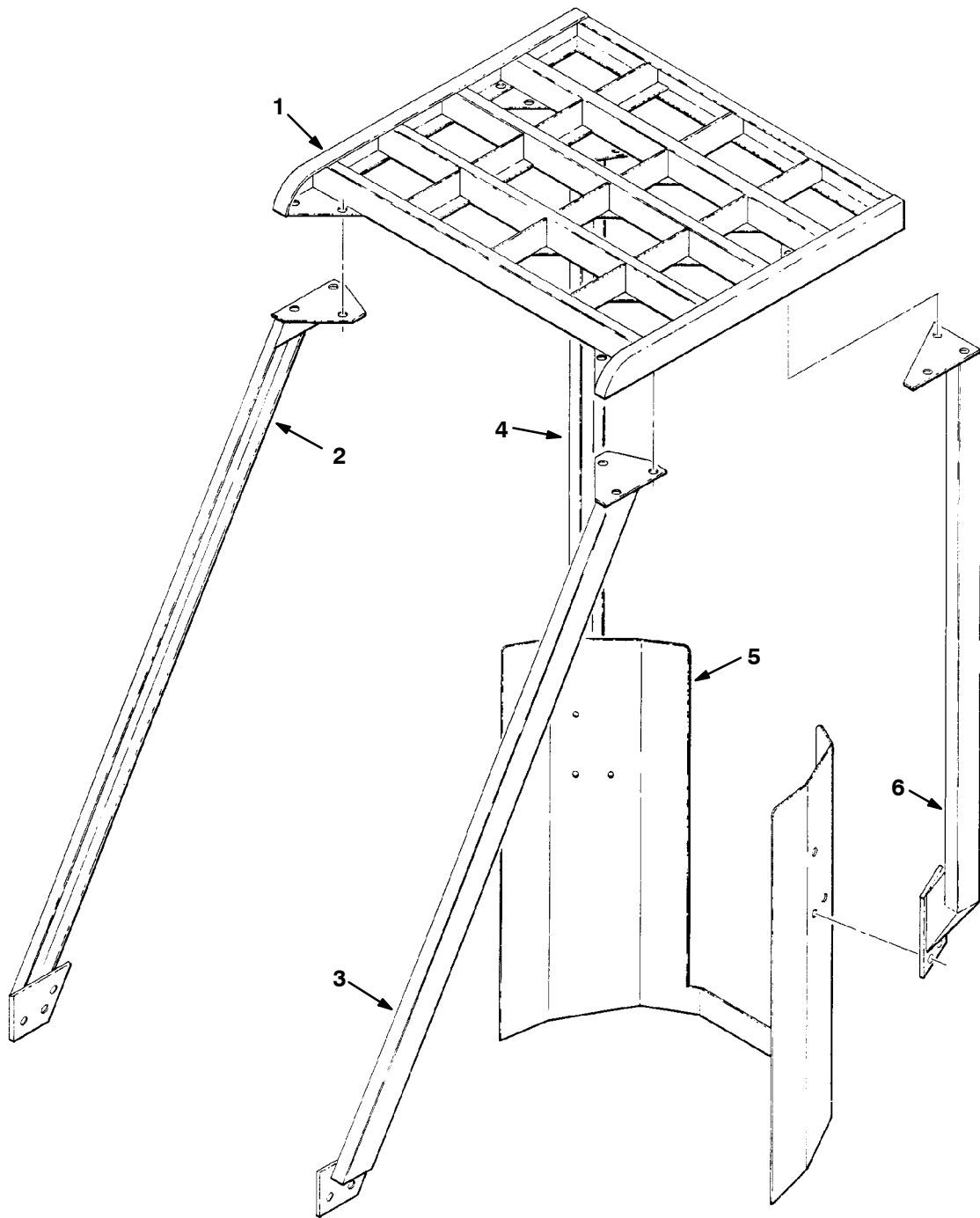


Fig. 1 - Overhead Guard Kit

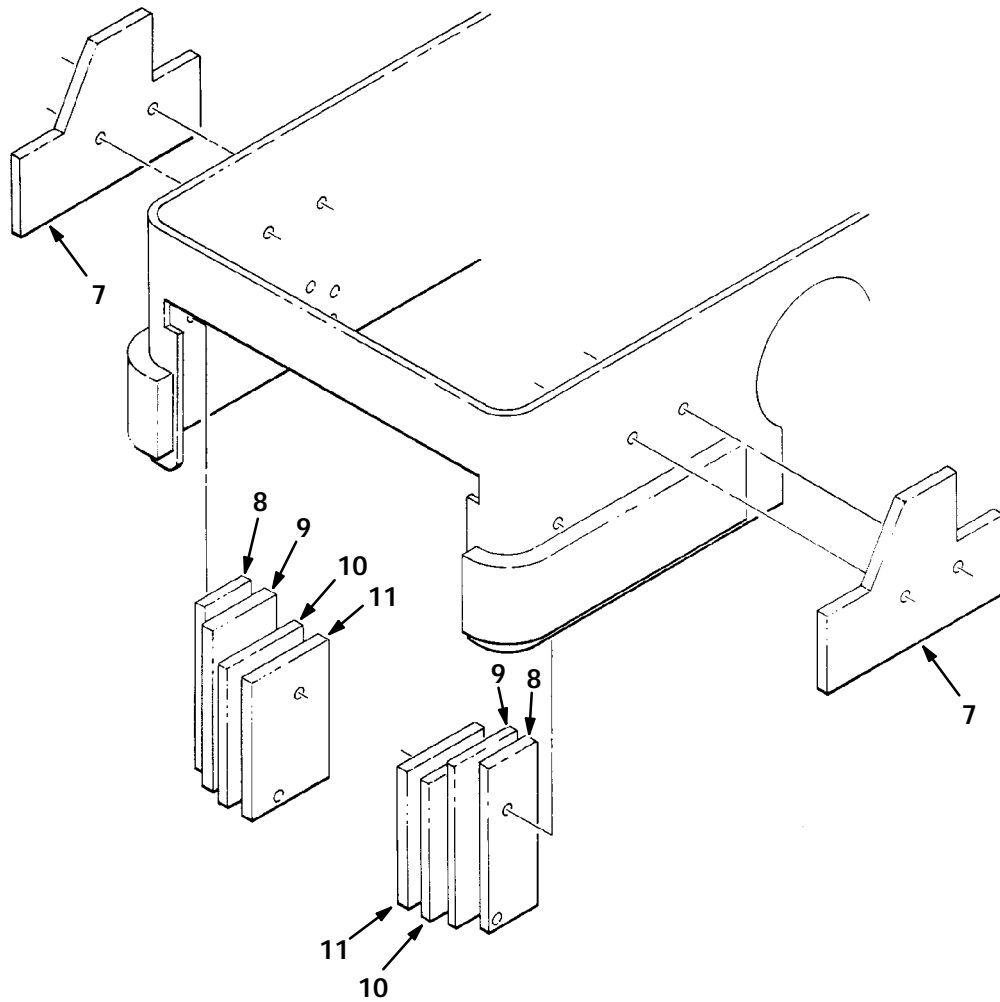


Fig. 1 - Overhead Guard Kit

05004

Key	TENNANT® Part No.	Machine Serial Number	Description	Qty
	48520	(001060-)	Guard Kit, Overhead	1
1	48490	(001060-)	Guard, Overhead	1
2	48506	(001060-)	Leg, Front Support, R.H.	1
3	48501	(001060-)	Leg, Front Support, L.H.	1
4	48502	(001060-)	Leg, Rear Support, R.H.	1
5	17876	(001060-)	Operator Guard	1
6	48505	(001060-)	Leg, Rear Support, L.H.	1
7	48518	(001060-)	Counter Weight, Outside	2
8	48512	(001060-)	Counter Weight, Inside	2
9	48514	(001060-)	Counter Weight, Inside	2
10	48516	(001060-)	Counter Weight, Inside	2
11	48517	(001060-)	Counter Weight, Inside	2

SECTION 7

CONTENTS

	Page
ORDERING REPAIR PARTS	7-3
Fig. 1 - Hydraulic Pump Breakdown 48151-1	7-4
Fig. 2 - Hydraulic Pump Breakdown 17842	7-6
Fig. 3 - Hydraulic Pump Breakdown 47917-1	7-8
Fig. 4 - Accessory Pump Breakdown 17758	7-10
Fig. 5 - Hydraulic Motor Breakdown 17812A	7-11
Fig. 6 - Hydraulic Motor Breakdown 47651-3	7-12
Fig. 7 - Hydraulic Motor Breakdown 48618-3	7-13
Fig. 8 - Hydraulic Motor Breakdown 27802	7-14
Fig. 9 - Accessory Pump Breakdown 16432	7-15
Fig. 10 - Hydraulic Cylinder Breakdown 17593-1	7-16
Fig. 11 - Hydraulic Cylinder Breakdown 31957	7-17

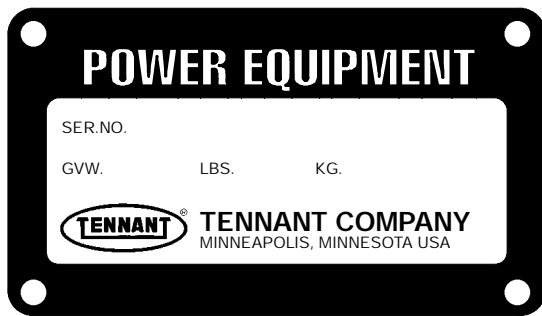
ORDERING REPAIR PARTS

The components used in this machine have been carefully selected for performance and safety. Use only Tennant Company specified or equivalent parts.

To receive prompt service in filling of your parts orders, please direct all orders for parts with Tennant Company part numbers to the Tennant Company, and all orders for parts with vendor part numbers to the local supplier of the respective vendor.

When ordering parts, please furnish all of the following information:

1. Machine model number - shown on the machine data plate.



2. Machine serial number - shown on the machine data plate.
3. Power source - gasoline, LPG, diesel, electric.
4. Company name.
5. Shipping address.
6. Billing address.
7. Name, first and last - of person ordering parts.
8. Telephone number.
9. Purchase order number.
10. Part number, description, and quantity - of each item on the order.
11. Customer ID Number.

Do not order parts by key number or the figure number of the illustrated parts. Indented items indicate parts of assemblies. Standard hardware is furnished only when part of a purchased assembly. Please get hardware from a local hardware supplier.

If the old part cannot be identified, send it to us with the quantity needed specified on the order.

Any claim for loss or damage to a shipment in transit should be filed promptly against the transportation company making the delivery. Shipments will be complete unless the packing list or order acknowledgement indicate items back ordered.

If parts received are suspected to be incorrect or defective, please write, wire, or phone the Tennant Company representative from whom you ordered the part. They will give authorization for return and/or handle replacement shipments when required.

SERIAL NUMBER INFORMATION EXPLANATION

Serial number listings are shown to indicate on which machines each part can be used. These listings are explained by the following examples:

(001060-) The part can be used on all machines.

(003342-) The part can be used on all machines beginning with the serial number listed.

(001060-004320) The part can be used on all machines up to and including serial number listed.

(004321-005678) The part can be used on all machines between and including the serial numbers listed.

Where xxxxxx's are listed in place of a serial number, it indicates a change was made but the exact serial number had not been established when the catalog went to press.

SI UNITS OF MEASURE (INTERNATIONAL SYSTEM)

Metric equivalents have been included, where applicable, throughout this parts catalog.

FASTENER STRENGTH IDENTIFICATION

Fasteners required to have high-strength qualities equivalent to SAE Grade 8 are identified throughout this catalog by the description GR 8. Unless identified by this description, all standard fasteners are SAE Grade 5.

(Specifications and design subject to change without notice.)

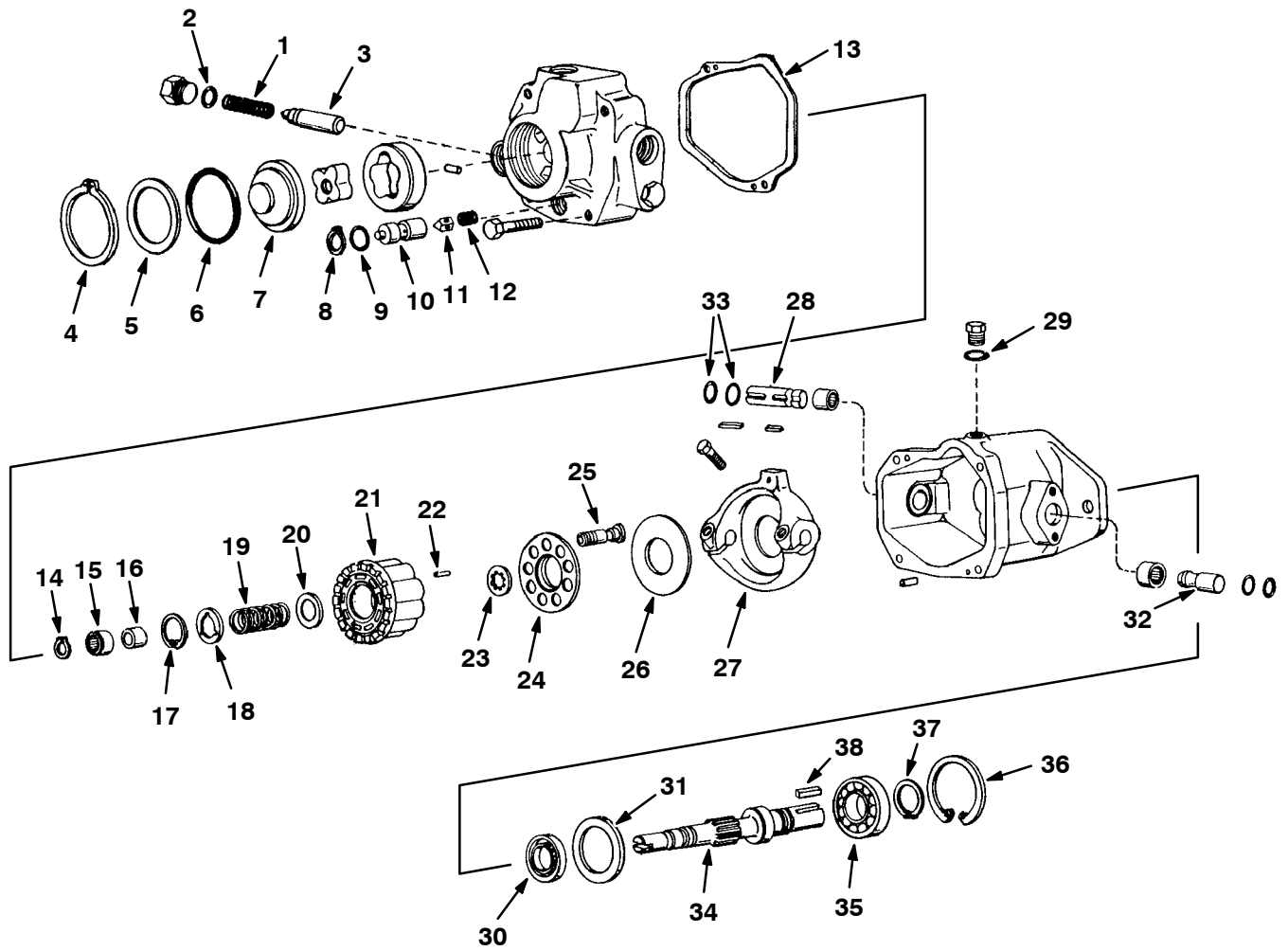


Fig. 1 - Hydraulic Pump Breakdown 48151-1

Fig. 1 - Hydraulic Pump Breakdown 48151-1

Key	Vickers Part No.	Machine Serial Number	Description	Qty.
	*48151-1	(001060-001194)	Hydraulic Pump	1
1	318197	(001060-001194)	Spring	2
2	154129	(001060-001194)	Ring	2
3	318399	(001060-001194)	Valve	2
4	190274	(001060-001194)	Ring	1
5	311815	(001060-001194)	Retainer	1
6	154082	(001060-001194)	Ring	1
7	311817	(001060-001194)	Plate	1
8	38340	(001060-001194)	Ring	1
9	153950	(001060-001194)	Ring	1
10	318427	(001060-001194)	Sleeve	1
11	319639	(001060-001194)	Valve	1
12	320351	(001060-001194)	Spring	1
13	317162	(001060-001194)	Gasket	1
14	322901	(001060-001194)	Retaining Ring	1
15	214118	(001060-001194)	Bearing	1
16	292500	(001060-001194)	Bushing	1
17	38341	(001060-001194)	Ring	1
18	245223	(001060-001194)	Ring	1
19	247294	(001060-001194)	Spring	1
20	241954	(001060-001194)	Washer	1
21	260860	(001060-001194)	Block	1
22	248811	(001060-001194)	Pin 3	1
23	423324	(001060-001194)	Washer	1
24	275961	(001060-001194)	Plate	1
25	37552	(001060-001194)	Piston Kit	1
26	239077	(001060-001194)	Plate	1
27	325689	(001060-001194)	Yoke	1
28	942425	(001060-001194)	Pintle Kit	1
29	154130	(001060-001194)	Ring	1
30	74992	(001060-001194)	Seal Kit, Shaft	1
31	274382	(001060-001194)	Retainer	1
32	392290	(001060-001194)	Shaft	1
33	154014	(001060-001194)	Ring	4
34	311806	(001060-001194)	Shaft	1
35	326805	(001060-001194)	Bearing	1
36	120428	(001060-001194)	Ring	1
37	119982	(001060-001194)	Ring	1
38	38330	(001060-001194)	Key1	1

* TENNANT Part No.

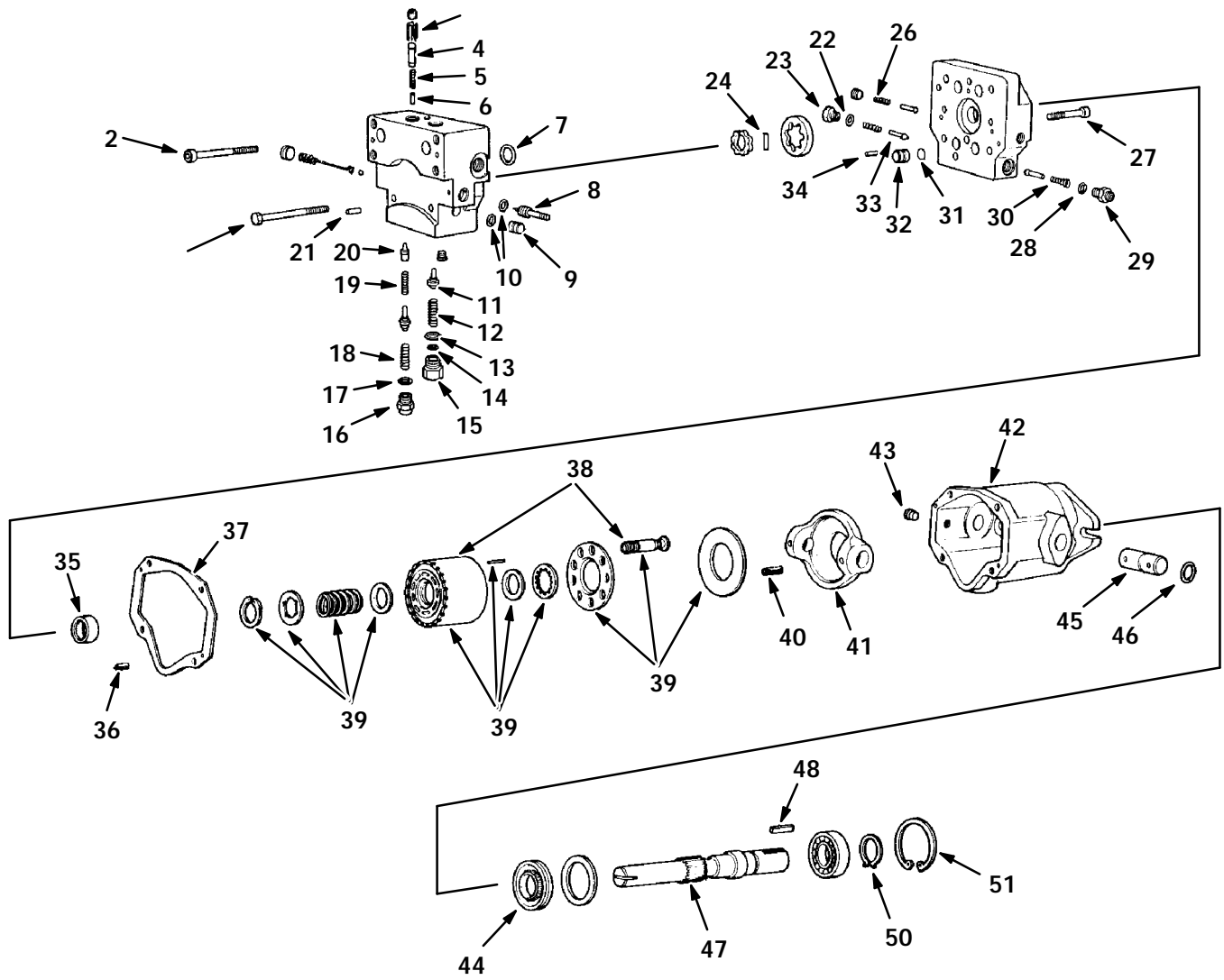


Fig. 2 - Hydraulic Pump Breakdown 17842

Fig. 2 - Hydraulic Pump Breakdown 17842

Key	Vickers Part No.	Machine Serial Number	Description	Qty.
	*17842	(001195-001256)	Hydraulic Pump	1
1	214652	(001195-001256)	Screw	2
2	298136	(001195-001256)	Screw	2
3	345224	(001195-001256)	Guide	2
4	345225	(001195-001256)	Valve	2
5	344177	(001195-001256)	Spring	2
6	248870	(001195-001256)	Pin	2
7	154012	(001195-001256)	O-Ring	2
8	326166	(001195-001256)	Plunger	1
9	317464	(001195-001256)	Plug	1
10	189343	(001195-001256)	Ring	2
11	330850	(001195-001256)	Poppet	1
12	344027	(001195-001256)	Spring	1
13	154130	(001195-001256)	Ring	1
14	330852	(001195-001256)	Shim	1
15	330851	(001195-001256)	Cap	1
16	326165	(001195-001256)	Cap	1
17	154129	(001195-001256)	Ring	1
18	326222	(001195-001256)	Spring	1
19	326220	(001195-001256)	Spring	1
20	326159	(001195-001256)	Poppet	1
21	148553	(001195-001256)	Pin	1
22	154129	(001195-001256)	Ring	1
23	320353	(001195-001256)	Connector Plug	1
24	329714	(001195-001256)	Key	1
25	327581	(001195-001256)	Spring	1
26	326277	(001195-001256)	Spring	2
27	298128	(001195-001256)	Screw	2
28	154129	(001195-001256)	Ring	1
29	185346	(001195-001256)	Connector	1
30	327582	(001195-001256)	Spring	1
31	189343	(001195-001256)	Ring	2
32	317464	(001195-001256)	Plug	2
33	347550	(001195-001256)	Poppet	1
34	162160	(001195-001256)	Pin	2
35	242222	(001195-001256)	Bearing	1
36	226816	(001195-001256)	Pin	2
37	279615	(001195-001256)	Gasket	1
38	923637	(001195-001256)	Repair Kit	1
39	923796	(001195-001256)	Rotating Group	1
40	342357	(001195-001256)	Pin	2
41	315146	(001195-001256)	Yoke	1
42	45635A	(001195-001256)	Pump Housing	1
43	113000	(001195-001256)	Plug	1
44	229236	(001195-001256)	Seal	1
45	45636	(001195-001256)	Pintel Shaft	2
46	173792	(001195-001256)	Ring	2
47	329717	(001195-001256)	Shaft	1
48	142843	(001195-001256)	Key	1
49	46390	(001195-001256)	Bearing	1
50	38342	(001195-001256)	Ring	1
51	109975	(001195-001256)	Ring	1

* **TENNANT Part No.**

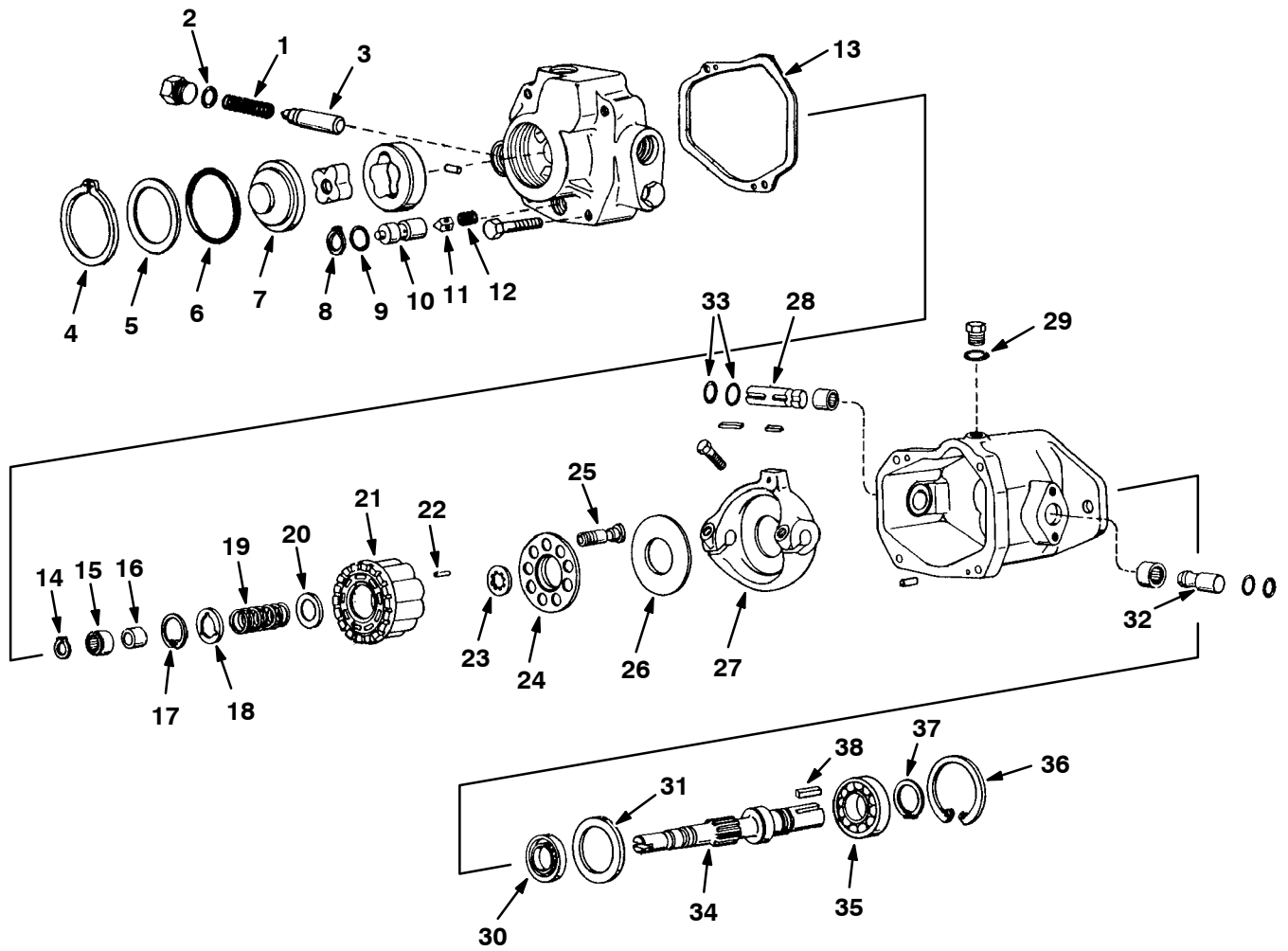


Fig. 3 - Hydraulic Pump Breakdown 47917-1

Fig. 3 - Hydraulic Pump Breakdown 47917-1

Key	Vickers Part No.	Machine Serial Number	Description	Qty.
1	*47917-1 318197	(001257-) (001257-)	Hydraulic Pump Spring	1 2
2	154129	(001257-)	Ring	2
3	318399	(001257-)	Valve	2
4	190274	(001257-)	Ring	1
5	311815	(001257-)	Retainer	1
6	154082	(001257-)	Ring	1
7	311817	(001257-)	Plate	1
8	38340	(001257-)	Ring	1
9	153950	(001257-)	Ring	1
10	318427	(001257-)	Sleeve	1
11	319639	(001257-)	Valve	1
12	320351	(001257-)	Spring	1
13	*31199	(001257-)	Gasket	1
14	322901	(001257-)	Retaining Ring	1
15	214118	(001257-)	Bearing	1
16	292500	(001257-)	Bushing	1
17	38341	(001257-)	Ring	1
18	*31192	(001257-)	Ring	1
19	*31193	(001257-)	Spring	1
20	*31191	(001257-)	Washer	1
21	*31196	(001257-)	Block	1
22	*31194	(001257-)	Pin	3
23	*31240	(001257-)	Washer	1
24	*31198	(001257-)	Plate	1
25	37552	(001257-)	Piston Kit	1
26	*31190	(001257-)	Plate	1
27	*31227	(001257-)	Yoke	1
28	*31284	(001257-)	Pintle Kit	1
29	154130	(001257-)	Ring	1
30	74992	(001257-)	Seal Kit, Shaft	1
31	*31197	(001257-)	Retainer	1
32	392290	(001257-)	Shaft	1
33	154014	(001257-)	Ring	4
34	311806	(001257-)	Shaft	1
35	*31226	(001257-)	Bearing	1
36	*31188	(001257-)	Ring	1
37	*31187	(001257-)	Ring	1
38	38330	(001257-)	Key	1

* TENNANT Part No.

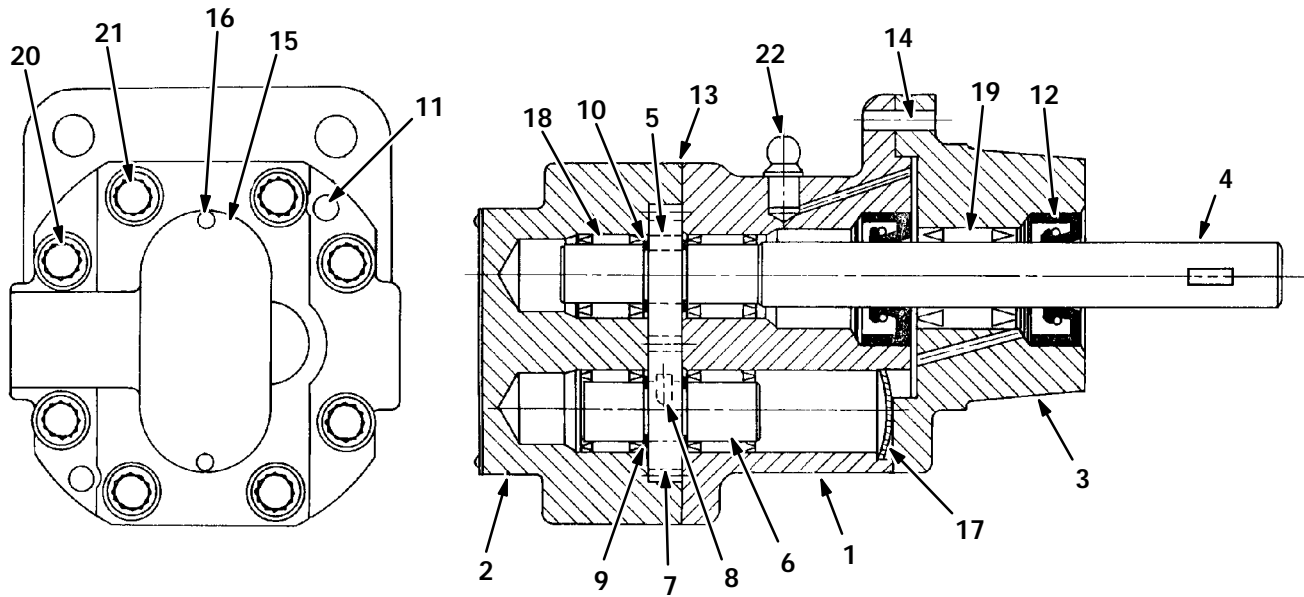


Fig. 4 - Accessory Pump Breakdown 17758

05008

Key	Barnes Part No.	Machine Serial Number	Description	Qty.
	*17758	(001060-001506)	Accessory Pump	1
1	GC-5077-B	(001060-001506)	Stator	1
2	GC-3310-C	(001060-001506)	Gear Housing	1
3	PA-8015-B	(001060-001506)	Adapter	1
4	GC-4686-C	(001060-001506)	Drive Shaft	1
5	GC-895-C	(001060-001506)	Square Key	1
6	GC-1430-C	(001060-001506)	Idler Shaft	1
7	GC-4206-C	(001060-001506)	Gear	2
8	GC-3562	(001060-001506)	Drive Pin	1
9	GC-1448	(001060-001506)	Snap Ring	2
10	GC-219	(001060-001506)	Snap Ring	2
11	PA-4949	(001060-001506)	Dowel Pin	2
12	PA-7276	(001060-001506)	Oil Seal	2
13	PA-7156	(001060-001506)	Gasket	1
14	PA-9852	(001060-001506)	Dowel Pin	1
15	PA-8471	(001060-001506)	Name Plate	1
16	PA-9389	(001060-001506)	Fastener	2
17	GC-1525	(001060-001506)	Welch Plug	1
18	PA-8542	(001060-001506)	Needle Bearing	4
19	PA-8013	(001060-001506)	Needle Bearing	1
20	GC-3590	(001060-001506)	Bolt	
21	GC-3590-11	(001060-001506)	Bolt	4
22	GC-1350	(001060-001506)	Grease Fitting	1

* TENNANT Part No.

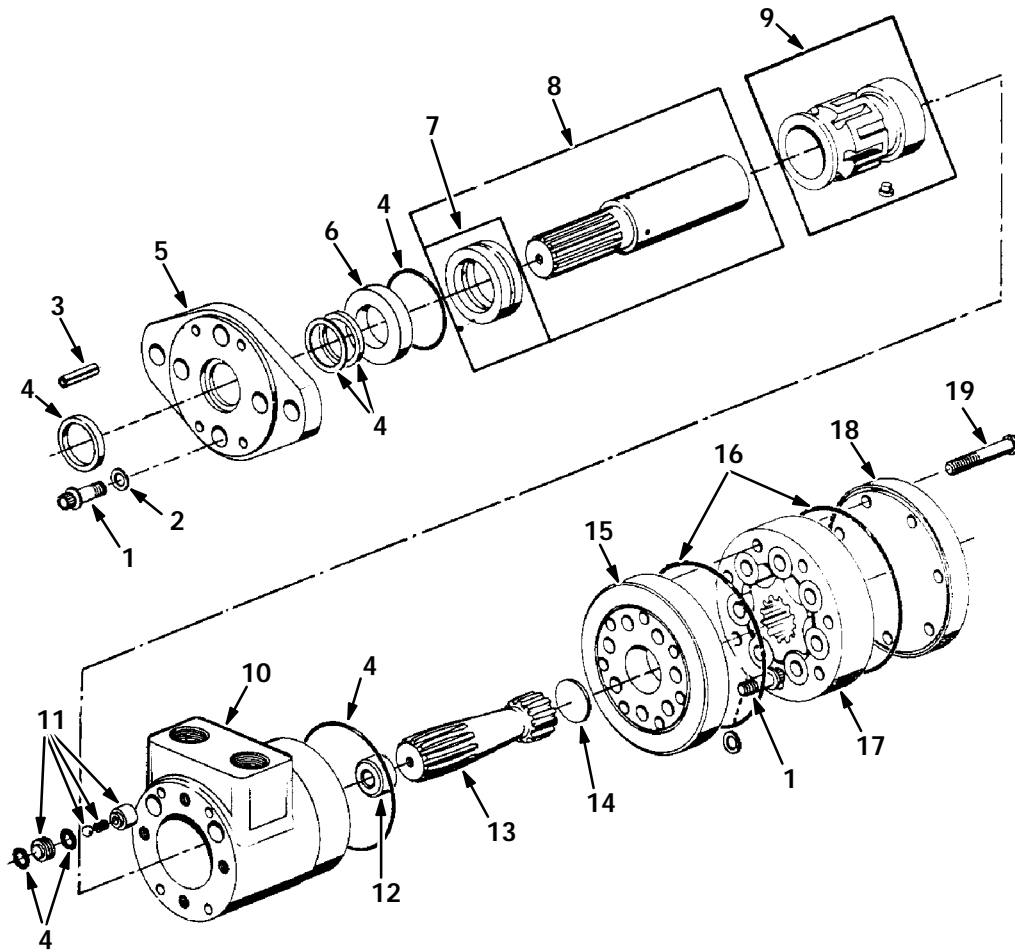


Fig. 5 - Hydraulic Motor Breakdown 17812A

05009

Key	Char Lynn Part No.	Machine Serial Number	Description	Qty.
	*17812A	(001060-xxxxxx)	Hydraulic Motor	11
1	5777	(001060-xxxxxx)	Screw	4
2	5417	(001060-xxxxxx)	Washer, Lock	11
3	14166	(001060-xxxxxx)	Pin	4
4	*SK0106B	(001060-xxxxxx)	Seal Kit	1
5	6335	(001060-xxxxxx)	Flange, Mounting (special)	1
6	6369	(001060-xxxxxx)	Bearing, Thrust	1
7	6372	(001060-xxxxxx)	Bushing	1
8	6361-12	(001060-xxxxxx)	Shaft (special) Note: order shaft, sleeve and pin together.	
9	6362	(001060-xxxxxx)	Sleeve	1
	6370	(001060-xxxxxx)	Pin	1
10	6360-2	(001060-xxxxxx)	Housing	1
11	6567	(001060-xxxxxx)	Ball Check Assembly	2
12	5662	(001060-xxxxxx)	Spacer	1
13	6612	(001060-xxxxxx)	Drive	1
14	6901-7	(001060-xxxxxx)	Spacer	1
15	6285	(001060-xxxxxx)	Plate, Spacer	1
16	15062	(001060-xxxxxx)	Seal, O-Ring	2
17	6606-8	(001060-xxxxxx)	Geroler Assembly	1
18	6564	(001060-xxxxxx)	Cap, End	1
19	5389-19	(001060-xxxxxx)	Screw, Cap	7

* TENNANT Part No.

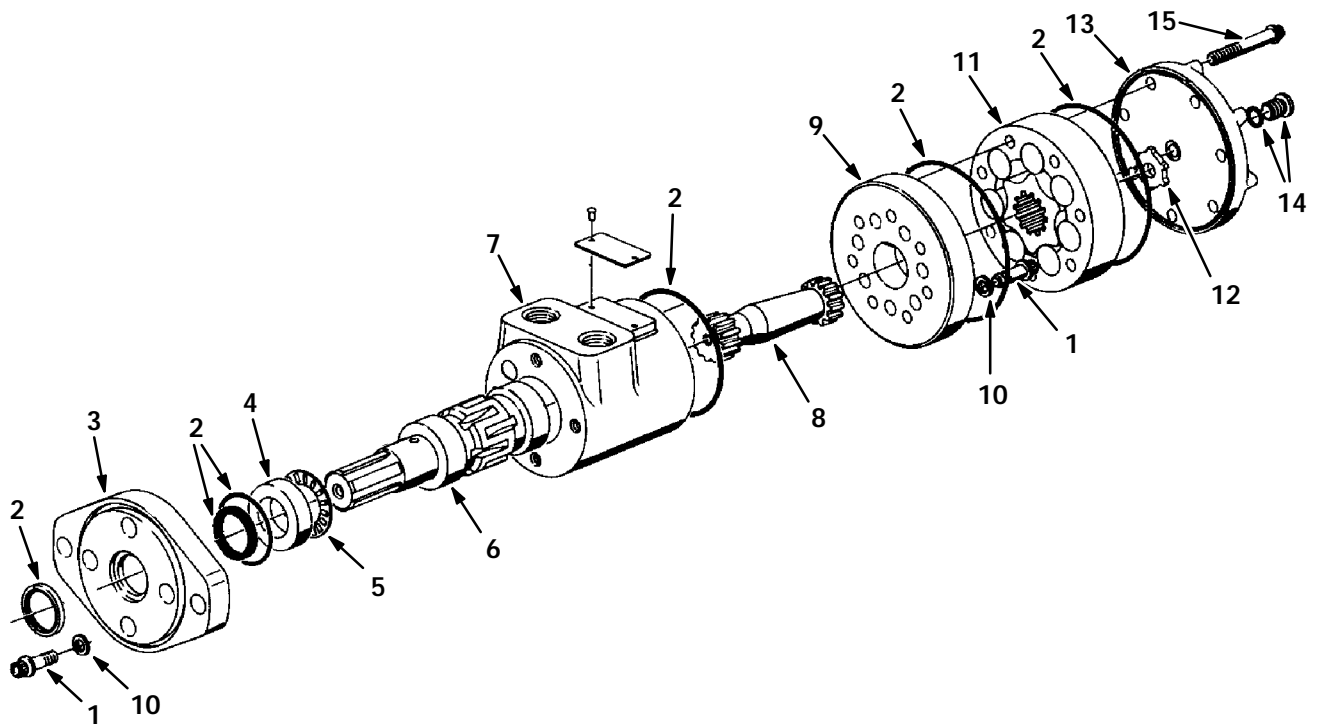


Fig. 6 - Hydraulic Motor Breakdown 47651-3

05010

Key	Char Lynn Part No.	Machine Serial Number	Description	Qty.
	*47651-3	(xxxxxx-xxxxxx)	Hydraulic Motor, 007 Series	1
1	5777	(xxxxxx-xxxxxx)	Screw, Cap	11
2	*SK1601	(xxxxxx-xxxxxx)	Seal Kit	1
3	7620	(xxxxxx-xxxxxx)	Flange, Mounting	1
4	7462	(xxxxxx-xxxxxx)	Race, Thrust Bearing	1
5	7537	(xxxxxx-xxxxxx)	Bearing, Thrust	1
6	7360-2	(xxxxxx-xxxxxx)	Shaft, Output	1
7	7359-2	(xxxxxx-xxxxxx)	Housing	1
8	6612	(xxxxxx-xxxxxx)	O-Ring	1
9	7458	(xxxxxx-xxxxxx)	Plate, Spacer	1
10	5417	(xxxxxx-xxxxxx)	Washer, Lock	11
12	6901-8	(xxxxxx-xxxxxx)	Geroler Assembly	1
13	6797	(xxxxxx-xxxxxx)	Spacer	1
14	6833	(xxxxxx-xxxxxx)	Cap, End	1
15	5839-19	(xxxxxx-xxxxxx)	Plug Assembly	1

* TENNANT Part No.

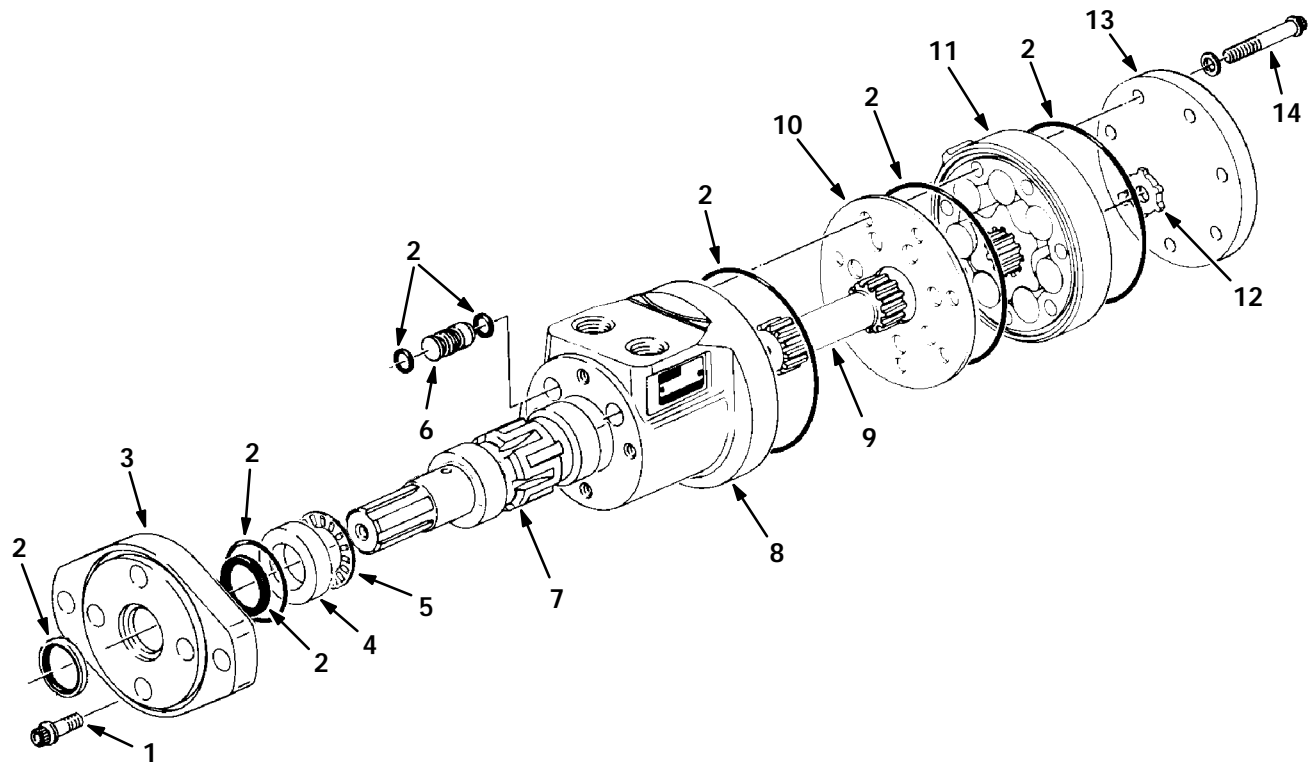


Fig. 7 - Hydraulic Motor Breakdown 48618-3

05007

Key	Char Lynn Part No.	Machine Serial Number	Description	Qty.
	*48618-3	(xxxxxx-xxxxxx)	Hydraulic Motor, 008 Series	1
1	05777	(xxxxxx-xxxxxx)	Screw, cap	4
2	*SK2305	(xxxxxx-xxxxxx)	Seal Kit	1
3	07620	(xxxxxx-xxxxxx)	Flange, Mounting	1
4	07462	(xxxxxx-xxxxxx)	Race, Thrust Bearing	1
5	07537	(xxxxxx-xxxxxx)	Bearing, Thrust, Needle	1
6	06567	(xxxxxx-xxxxxx)	Check Assembly, Ball	2
7	07360-2	(xxxxxx-xxxxxx)	Shaft, Splined	1
8	08631-2	(xxxxxx-xxxxxx)	Housing	1
9	08634	(xxxxxx-xxxxxx)	Drive	1
10	08636	(xxxxxx-xxxxxx)	Plate, Spacer	1
11	08632-8	(xxxxxx-xxxxxx)	Geroler	1
12	06901-3	(xxxxxx-xxxxxx)	Spacer	1
13	08635-1	(xxxxxx-xxxxxx)	Cap, End	1
14	05389-28	(xxxxxx-xxxxxx)	Screw, Cap	7

* TENNANT Part No.

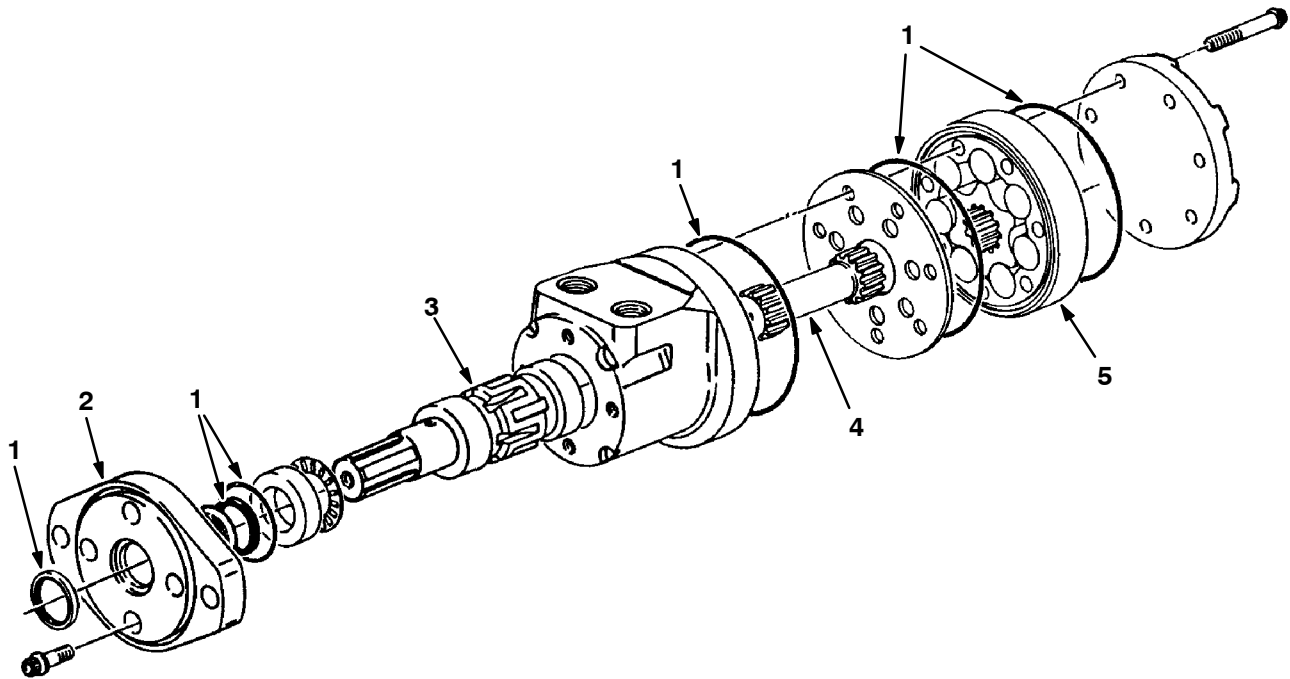


Fig. 8 - Hydraulic Motor Breakdown 27802

06111

Key	TENNANT Part No.	Machine Serial Number	Description	Qty.
	27802	(000000-)	Hydraulic Motor, 010 Series	1
1	28843	(000000-)	Seal Kit	1
2	31355	(000000-)	Flange, Mounting	1
3	31358	(000000-)	Output Shaft Assembly	1
4	31379	(000000-)	Drive	1
5	28851	(000000-)	Gerotor Set	1

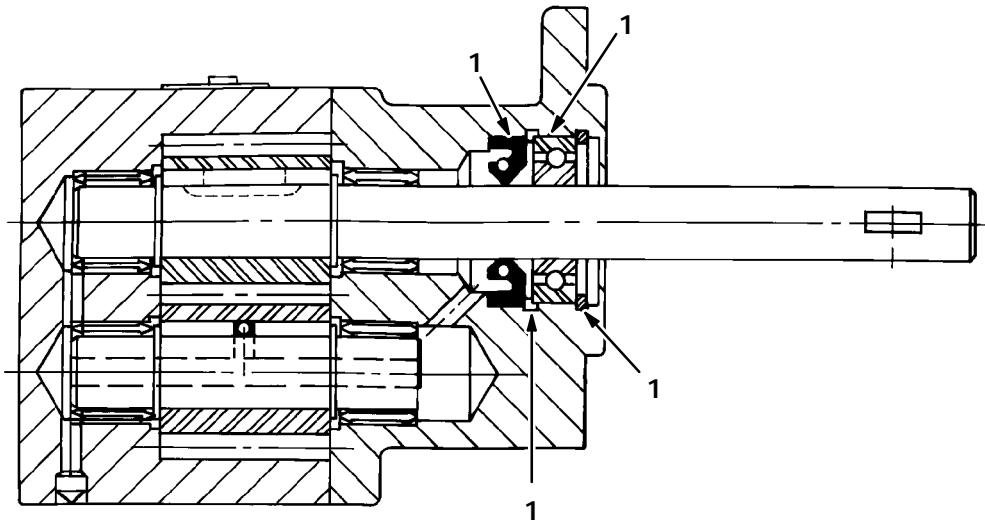


Fig. 9 - Accessory Pump Breakdown 16432

05011

Key	TENNANT Part No.	Machine Serial Number	Description	Qty.
1	16432	(001507-)	Accessory Pump	1
	SK2561	(001507-)	Seal Kit	1

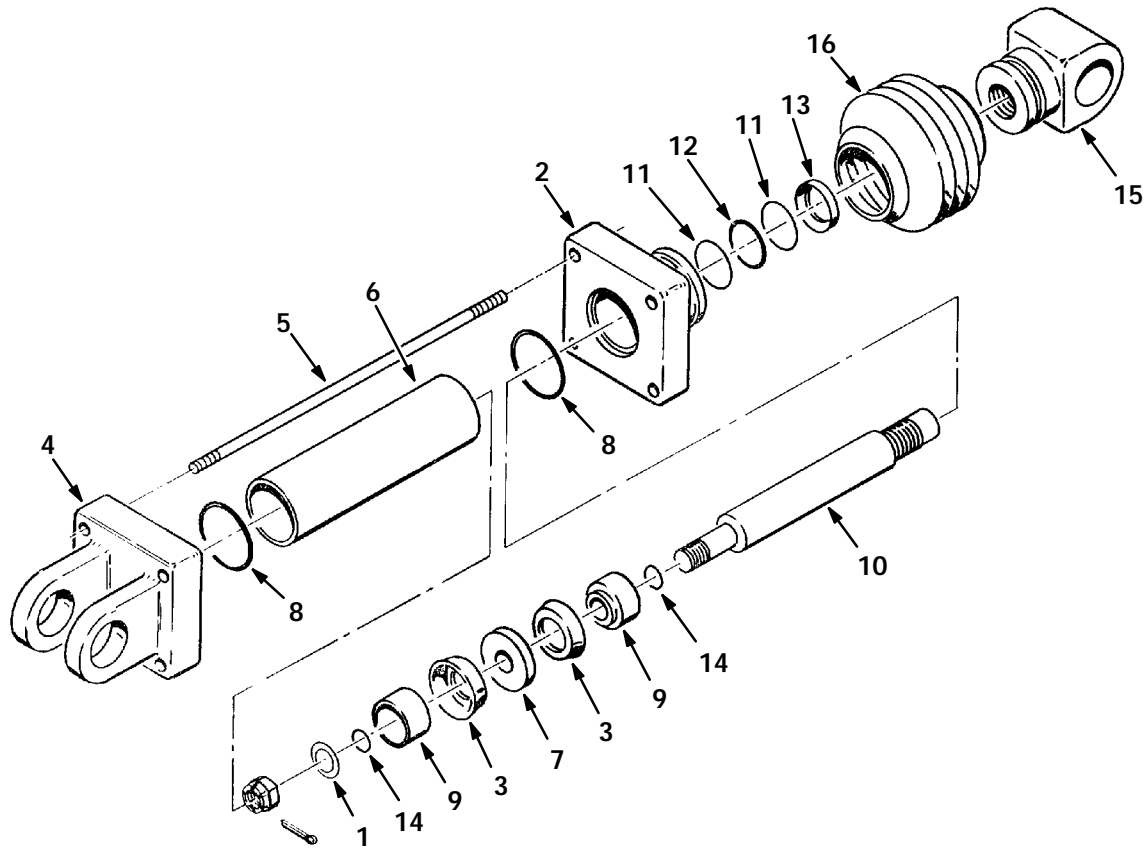


Fig. 10 - Hydraulic Cylinder Breakdown 17593-1

04985

Key	TENNANT PartNo.	Machine Serial Number	Description	Qty
	17593-1	(001060-)	Brush Cylinder Assembly	1
1	01873	(001060-)	Washer	1
2	11420	(001060-)	Cylinder, End	1
3	11425	(001060-)	Cup, Oil Packing	2
4	11426	(001060-)	End, Pivot, Hydraulic Cylinder	1
5	39692	(001060-)	Screw, Hex	4
6	11428	(001060-)	Cylinder Body	1
7	11429	(001060-)	Cylinder Piston	1
8	11430	(001060-)	Washer	2
9	11431	(001060-)	Follower	2
10	11433	(001060-)	Cylinder Piston	1
11	11451	(001060-)	O-Ring, Backup	2
12	11453	(001060-)	O-Ring	1
13	11455	(001060-)	Seal, Oil	1
14	11493	(001060-)	Washer	2
15	11023	(001060-)	Rod End	1
	11048	(001060-)	Fitting, Grease	1
16	11687	(001060-)	Boot, Rubber	1
	11516	(001060-)	Pin, Roll	1

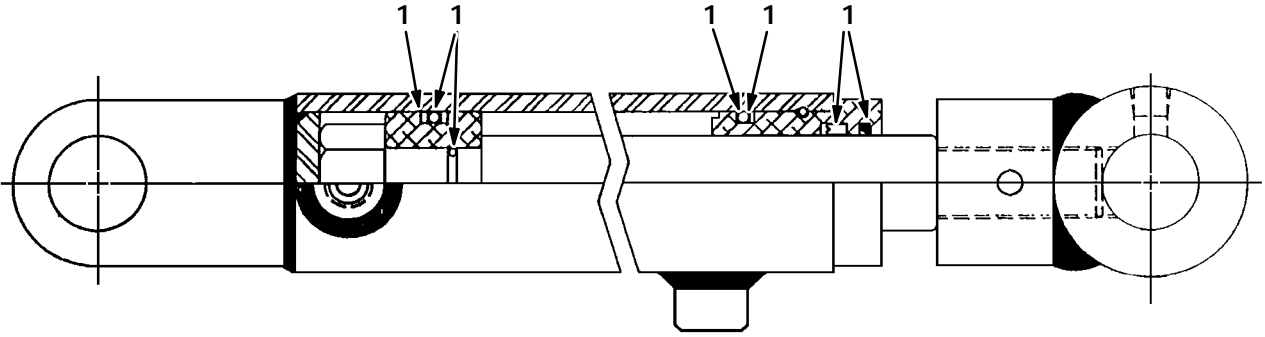


Fig. 11 - Hydraulic Cylinder Breakdown 31957

06113

Key	TENNANT PartNo.	Manufacturers Serial Number	Description	Qty
1	31957	(000000-)	Brush Cylinder Assembly	1
	31958	(000000-)	Seal Kit	1

TENNANT COMPANY SERVICE LITERATURE AVAILABLE...

A variety of information is available to you in forms to suit your needs. The following is a list of those publications that relate to the Model L2 family of machines:

Machine Model	Publication	Form	TENNANT® Part No.
L2	Operation, Maintenance, and Parts Manual	Printed	MM097
L2	Operation, Maintenance, and Parts Manual	Microfiche	85097

Keep your manuals in a safe, convenient location for your future reference in order to operate, maintain, and order repair parts for your machine. Everyone who operates, maintains, or purchases parts for the machine should have easy access to a copy of the manual.

To get pricing information or to order copies of these publications, contact your nearest Tennant Company parts warehouse, distributor, or sales representative.