



Electronic Service Manuals

This electronic document is provided as a service to our customers. We do not create the contents of the information contained in this document. Should you have detailed questions pertaining to the information contained in this document, you may contact Michco, or the manufacturer which provided the original information in this electronic deliverable. Michco's only part in this electronic deliverable was the electronic assembly process. By providing this manual on line we are not guaranteeing parts availability.

You may contact Michco through the following methods:

Phone (517) 484-9312 or (800) 331-3339

2011 N. High St. -- Lansing, Michigan -- 48906

Fax: (517) 484-9836

Email: CustServe@Michco.com

Web site: www.Michco.Com

Parts Web site: www.FloorMachineParts.Com

Order Parts on Line at:

www.FloorMachineParts.Com

Directly to Parts & Service:

By Email: **Shop@Michco.com**

By Fax: (517) 702-2041

By Voice: Use numbers above.

Serving the Cleaning Industry Since 1922

Notice: All copyrighted material remains property of original owners, all trademarks are property of respective owners. Manuals are subject to Manufacturer's reproduction limitations. Originals or reproductions were provided by manufacturers through a request. We make no warranty as to the correctness of information provided in this document and you assume all risk. By placing these manuals on line we are not declaring our corporation to be an manufacturer authorized dealer or provider, please check our web site for authorized manufacturers we represent.



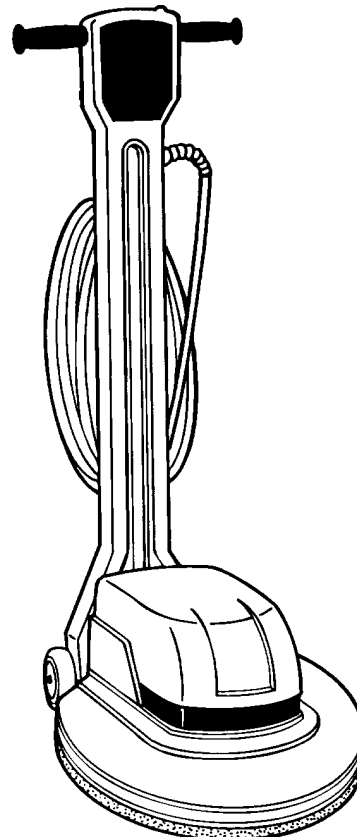
2000/2010/2030 2040/2160/2170

Floor Machine
Máquina de Pisos

Model No.:

- 609671 - 2000 (120V/60HZ)
- 609622 - 2010 (120V/60HZ)
- 609784 - 2010 (240V/50HZ)
- 609621 - 2010 (220V/60HZ)
- 609672 - 2030 (120V/60HZ)
- 609624 - 2040 (120V/60HZ)
- 609786 - 2040 (240V/50HZ)
- 609664 - 2040 (220V/60HZ)
- 607642 - 2160 (120V)
- 607643 - 2170 (120V)
- 609665 - 2170 (230V)

**Operator and Parts Manual
Manual de Operación y de Piezas**

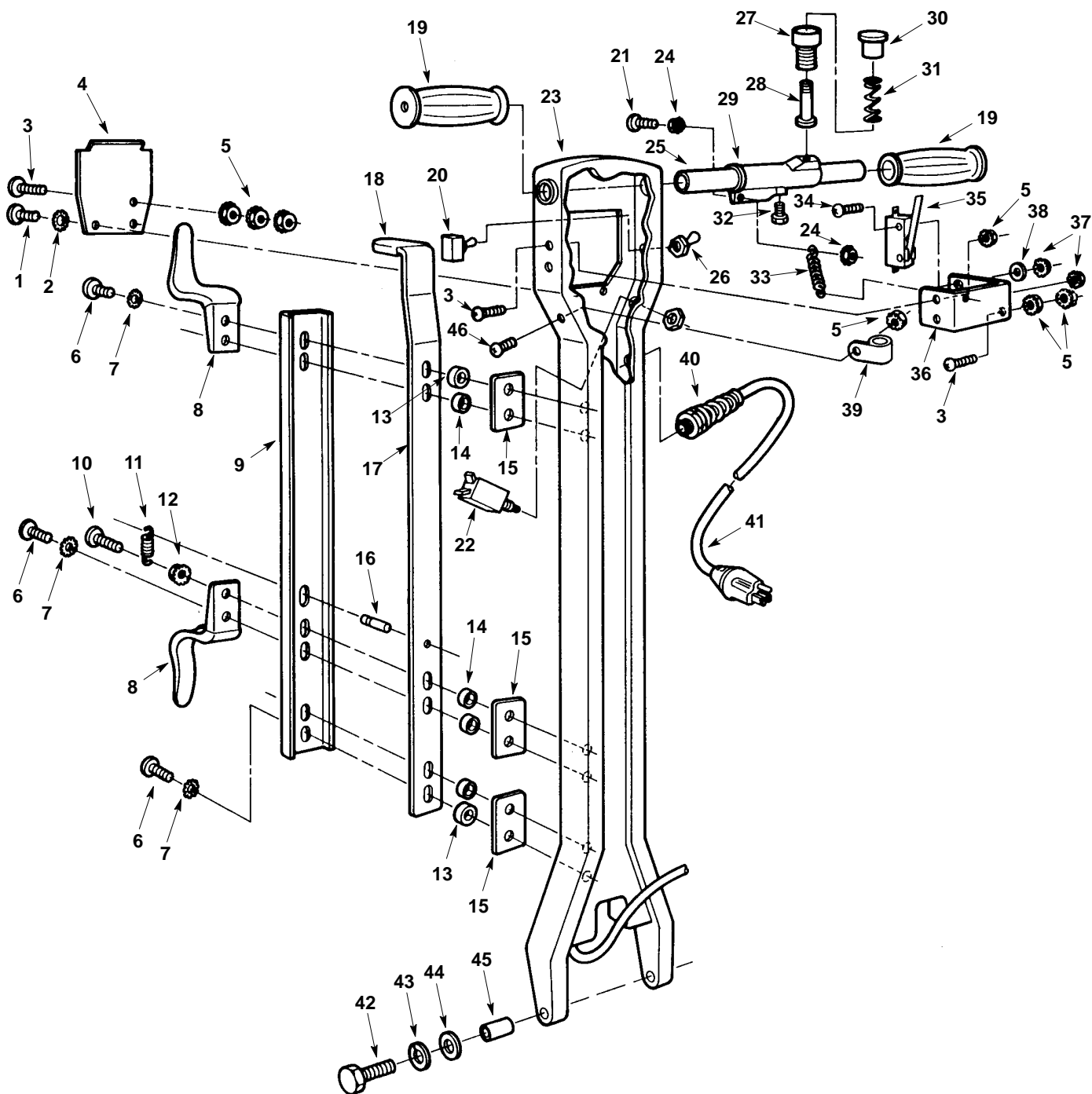


TENNANT COMPANY
Commercial Products
12875 RANSOM STREET
HOLLAND MI 49424

FAX: 1-800-678-4240
CUSTOMER SERVICE: 1-800-982-7658
OUTSIDE U.S. : 1-616-786-2330

607644
Rev. 02 (06-00)

UPPER UNIT
PIEZAS DE SUPERIOR

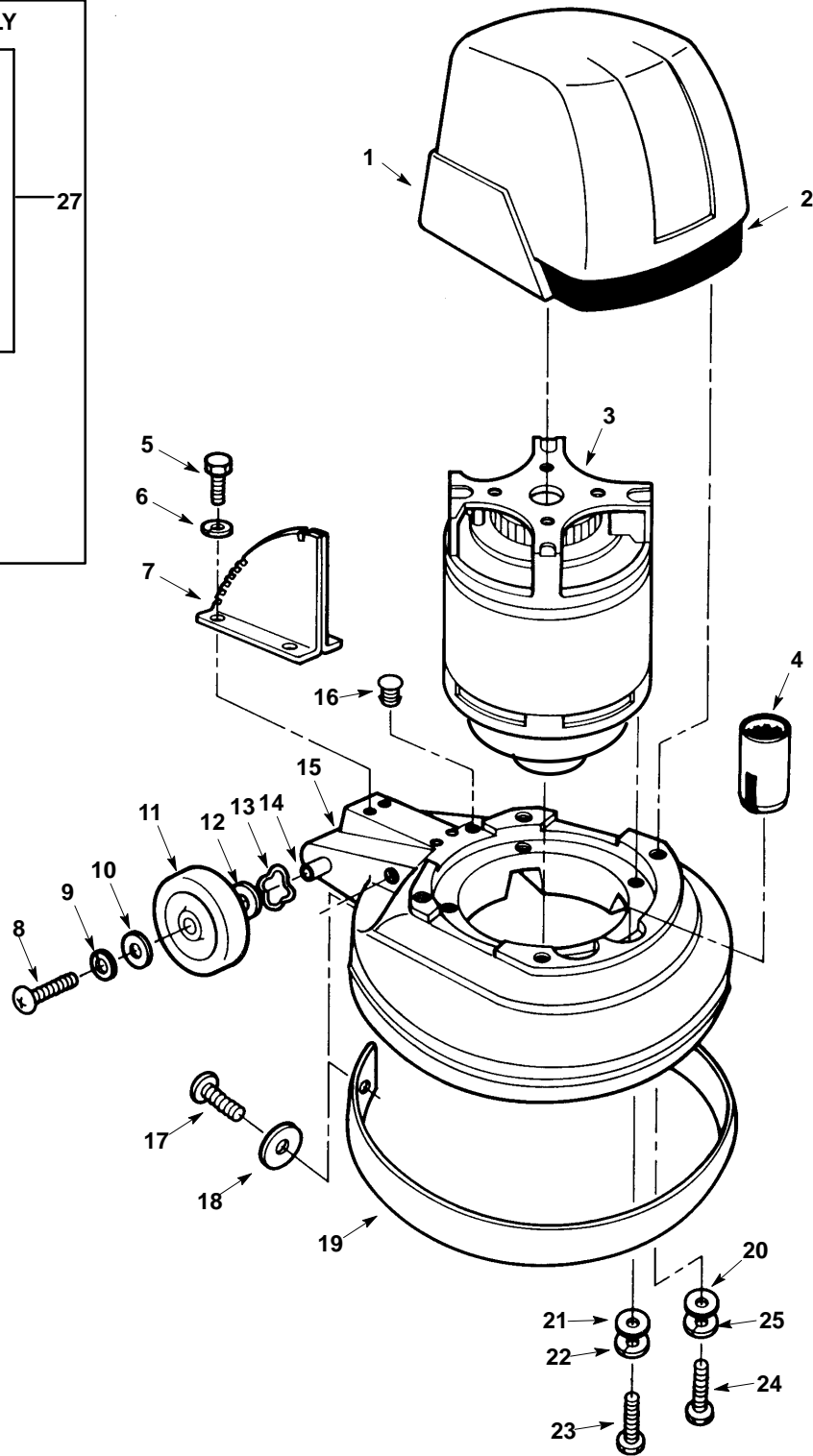
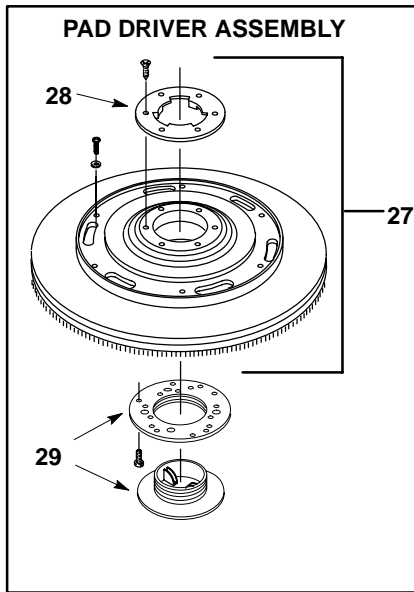


**UPPER UNIT
PIEZAS DE SUPERIOR**

REF	PART #	DESCRIPTION	QTY.
1.	140831	SCREW, 10-24x.375	2
2.	140018	WASHER, 10-24x.5	2
3.	140823	SCREW, 10-24x.625	1
4.	230013.NLG	COVER, HANDLE	1
5.	140519	NUT, 10-24	8
6.	140864	SCREW, 1/4-20x.75	5
7.	140052	WASHER, LOCK .25	5
8.	230427	HOOK, CORD	2
9.	230859	CHANNEL, LATCH	1
10.	140881	SCREW, 1/4-20x1	1
11.	140402	SPRING, LATCH	1
12.	140524	NUT, 1/4-20	1
13.	140146	BUSHING, .5 OD	2
14.	140147	BUSHING, .44 OD	4
15.	230852	PLATE, BACKING	3
16.	140604	PIN, .25x.75	1
17.	230860	HANDLE, LATCH	1
18.	200821	GRIP, .25x1x2.25	1
19.	200823	GRIP, HANDLE	2
20.	130726	SWITCH, DUAL SPEED	1
21.	6010.16	SCREW, 8-32X1	1
22.	20361	BREAKER, 15 AMP 120V	1
23.	607692	HANDLE, DS, OFF-WHITE (2160/2170)	1
	607637	HANDLE, OFF-WHITE (2010/2040)	1
24.	28990	NUT, LOCK 8-32	2
25.	230853	TUBE, HANDLE	1
26.	130990	BOOT, SWITCH	1
	130681	PLATE, SWITCH	1
27.	230857	SOCKET, LOCK	1

REF	PART #	DESCRIPTION	QTY.
28.	230856	PIN, LOCK	1
29.	100355	SLEEVE, LOCK	1
30.	230855	BUTTON, LOCK	1
31.	140401	SPRING, LOCK	1
32.	140554	SCREW,1/4-20x.75	1
33.	600987	SPRING	1
34.	140829	SCREW, 6-32x1	2
35.	28657	SWITCH	2
36.	230854	BRACKET, SWITCH	1
37.	140539	NUT, 6-32	2
38.	140032	WASHER, FLAT	1
39.	140328	CLAMP, .375	1
40.	130167	GRIP, CORD	1
41.	602747	CORD, 14/3X50' 120V	1
	600324	CORD, 3x1.5MMx15M 220V/240V	1
42.	140235	SCREW, .5-13x2	2
43.	140024	WASHER, LOCK .5	2
44.	3148.816	WASHER, FLAT	2
45.	140148	BUSHING	2
46.	140900	SCREW, 10-24X.75	1
Decals (Not Shown)			
N/S	120675	DECAL, OPERATION (2160/2170)	1
N/S	120619	DECAL, WARNING	1
N/S	608121	DECAL "TENNANT 2000"	1
N/S	609058	DECAL, "TENNANT 2010"	1
N/S	609059	DECAL "TENNANT 2030"	1
N/S	608123	DECAL, "TENNANT 2040"	1
N/S	609148	DECAL, "TENNANT 2160"	1
N/S	609149	DECAL "TENNANT 2170"	1

LOWER UNIT
PIEZAS DE INFERIOR



**LOWER UNIT
PIEZAS DE INFERIOR**

REF	PART #	DESCRIPTION	QTY.
1.	607698	COVER, MOTOR, TEAL	1
2.	120582	DECAL, RECESS	1
∇3.	130497	MOTOR, 120V (2000/2030)	
▲	130465	COUPLING, MOTOR SHAFT (not shown)	1
▲	25516	GEAR BOX	1
▲	25546	PINION KIT	1
∇3.	130451	MOTOR, 120V (2010/2040)	1
▲	130465	COUPLING, MOTOR SHAFT (not shown)	1
▲	25516	GEAR BOX	1
▲	25546	PINION KIT	1
∇3.	130494	MOTOR, 120V (2160/2170)	1
▲	190742	BRUSH CARD ASM.	1
▲	22117	CARBON BRUSH	4
▲	190753	RECTIFIER	1
▲	190744	CONTROL, SPEED 120V	1
▲	515021	HOLDER	1
∇3.	600807	MOTOR, 230V/50HZ, 1.5HP (2010/2040)	1
∇3.	600808	MOTOR, 240V/60HZ, 1.5HP (2010/2040)	1
▲4.	130762	CAPACITOR 120V	1
	100058	TAPE, CAPACITOR	.17ft
	25519	CAPACITOR, RUN (SILVER) 2010/2040	1
	25518	CAPACITOR, START (BLACK) 2010/2040	1
5.	140226	SCREW, 5/16-18x.625	4
6.	140015	WASHER, LOCK	4
7.	230858	PLATE, LATCH	1
8.	140553	SCREW, 1/4-20x.5	2
9.	140016	WASHER, LOCK .25	2
10.	140003	WASHER, FENDER	2
11.	103064	WHEEL	2
12.	3148.816	WASHER, FLAT	4
13.	4252	WASHER, COMP.	4

REF	PART #	DESCRIPTION	QTY.
14.	230851	AXLE	1
15.	607641	BASE, TEAL (2010/2160)	1
	607633	BASE, TEAL (2040/2170)	1
16.	130198	PLUG	1
17.	140824	SCREW, 1/4-20x.625	2
18.	140003	WASHER, FENDER	2
19.	602545	BUMPER 2040/2170	1
	602543	BUMPER 2010/2160	1
20.	140046	WASHER, DS	4
21.	140003	WASHER, FENDER	4
	140027	WASHER, FLAT (2160/2170)	4
22.	140016	WASHER, LOCK	4
	140015	WASHER, LOCK (2160/2170)	4
23.	140212	SCREW, 1/4-20x1.5	4
	140216	SCREW, 5/16-18x1.5	4
24.	140255	SCREW, 1/4-20x1.75	4
25.	140016	WASHER, LOCK	4
26.	140000	WASHER, FLAT	4

PAD DRIVER ASSEMBLY – OPTIONAL

REF	PART #	DESCRIPTION	QTY.
∇27.	22207	ASM., PAD DRIVER 20" (2170)	1
	13226	ASM., PAD DRIVER 17" (2000/2010)	1
	13225	ASM., PAD DRIVER 20" (2030/2040)	1
▲28.	4184	PLATE, CLUTCH, METAL	1
∇27.	603537	ASM., PAD DRIVER 17" (2160)	1
▲28.	603539	PLATE, CLUTCH, PLASTIC	1
29.	603538	LOCK, CENTER (optional)	1

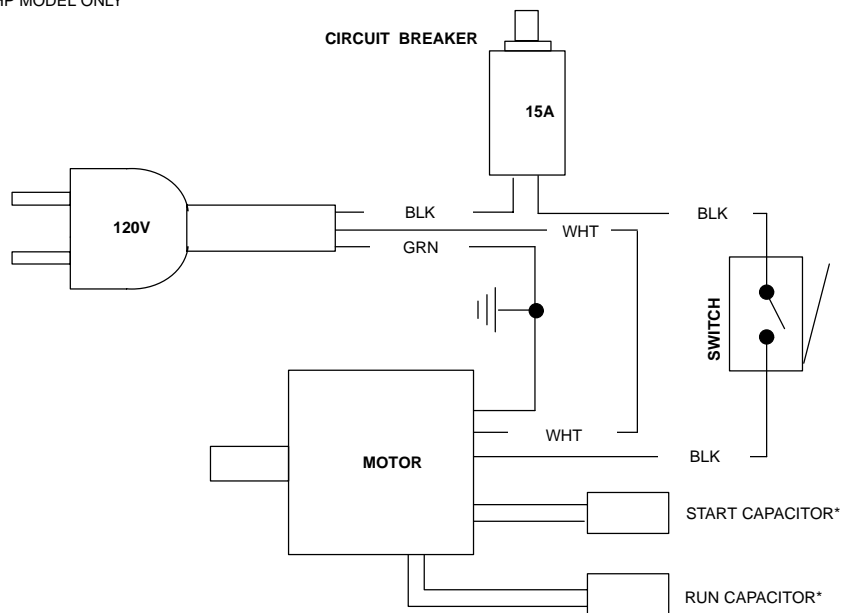
∇ Assembly

▲ Included in Assembly

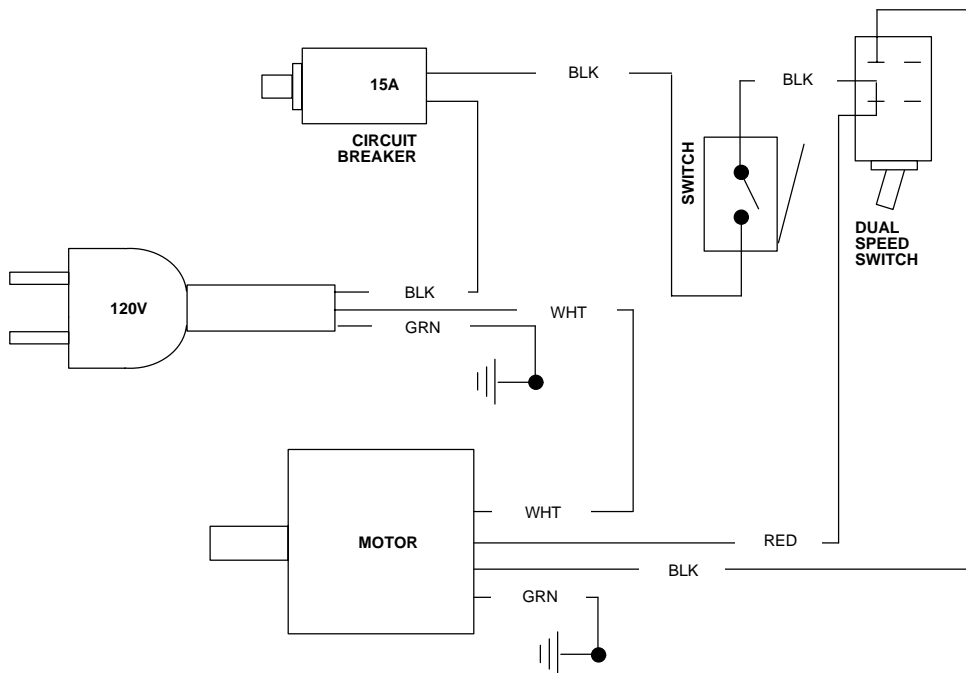
WIRING DIAGRAM DIAGRAMA DE CABLEADO

SINGLE SPEED – 120V

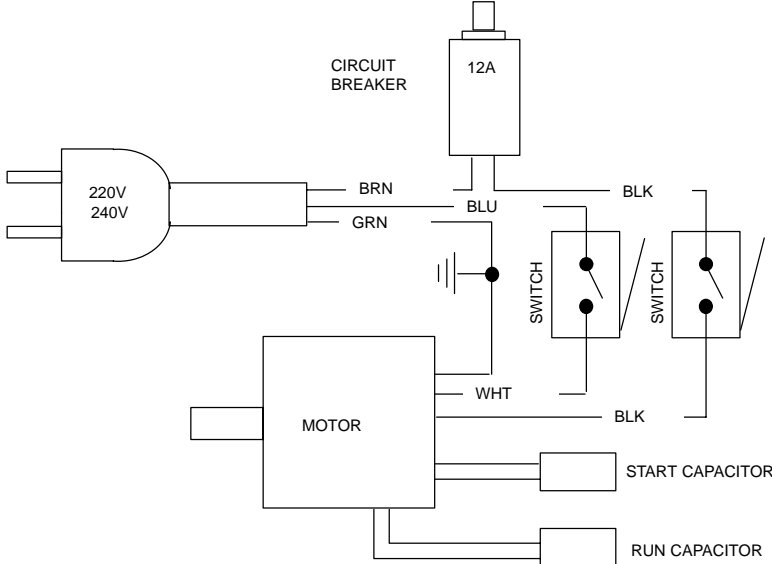
*1.5HP MODEL ONLY



DUAL SPEED – 120V



SINGLE SPEED – 220V/240V



DUAL SPEED – 230V

