



## **Electronic Service Manuals**

This electronic document is provided as a service to our customers. We do not create the contents of the information contained in this document. Should you have detailed questions pertaining to the information contained in this document, you may contact Michco, or the manufacturer which provided the original information in this electronic deliverable. Michco's only part in this electronic deliverable was the electronic assembly process. By providing this manual online we are not guaranteeing parts availability.

You may contact Michco through the following methods:

**Phone (517) 484-9312**

2011 N. High St. -- Lansing, Michigan -- 48906

Fax: (517) 484-9836

Email: [CustomerService@Michco.com](mailto:CustomerService@Michco.com)

Website: [www.Michco.Com](http://www.Michco.Com)

Order Parts online at:

**[www.Michco.Com](http://www.Michco.Com)**

Directly to Parts & Service:

By Email: **[CustomerService@Michco.com](mailto:CustomerService@Michco.com)**

By Fax: (517) 484-9836

By Voice: (517) 484-9312

**Serving the Cleaning Industry Since 1922**

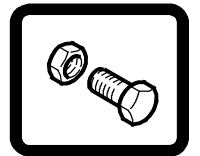
Notice: All copyrighted material remains property of original owners, all trademarks are property of respective owners. Manuals are subject to Manufacturer's reproduction limitations. Originals or reproductions were provided by manufacturers through a request. We make no warranty as to the correctness of information provided in this document and you assume all risk. By placing these manuals on line we are not declaring our corporation to be an manufacturer authorized dealer or provider, please check our web site for authorized manufacturers we represent.



# T500

Walk-Behind Floor Scrubber

## Parts Manual



(S/N 10000000-20000000)



*Hygenic*<sup>®</sup> Fully Cleanable Recovery Tank  
*TennantTrue*<sup>®</sup> Parts  
*IRIS*<sup>®</sup> a Tennant Technology  
*Pro-Panel*<sup>®</sup> Controls  
*Insta-Fit*<sup>™</sup> Adapter  
*Smart-Fill*<sup>™</sup> Automatic Battery Watering



**North America / International**

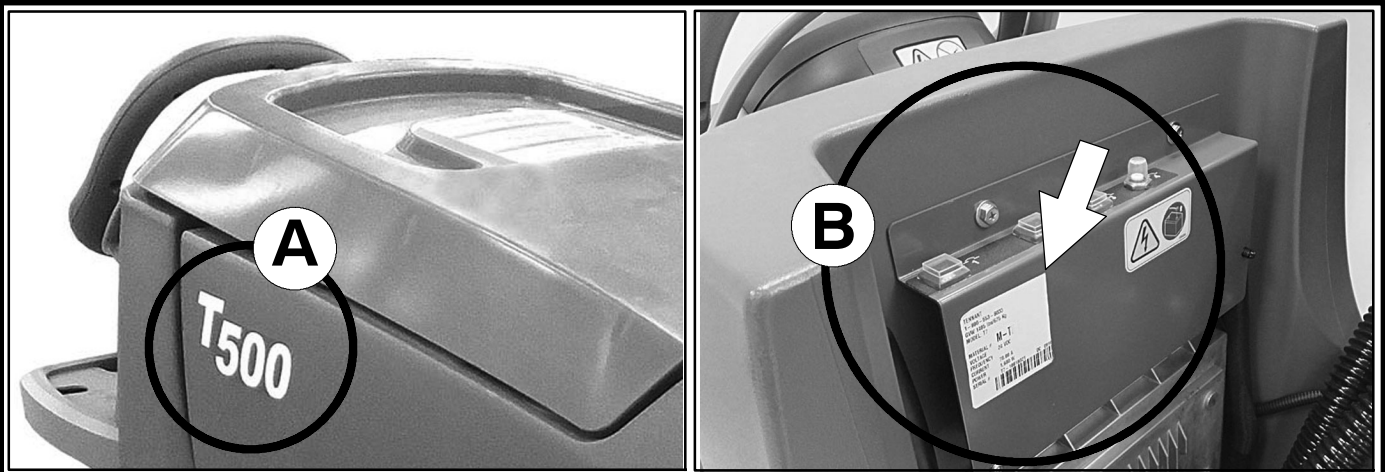


For the latest Parts manuals and other language Operator manuals, visit:

[www.tennantco.com/manuals](http://www.tennantco.com/manuals)

9015222  
Rev. 06 (10-2020)





Ref	Part No.	Serial Number	Description	Qty.
1	82681	(000000- )	Bracket Wldt, Lpg Mount	1
∇ 2	63810	(000000- )	Latch Assy, Lpg Tank Mtg, W/Nut	4
▲ 3	51839	(000000- )	Nut Adjustable, Lpg Tank Mtg	2
4	49263	(000000- )	Tie, Cable	3
(D)	82556	(000000- 001039)	Bracket, Vaporizer	1
	54930	(000000- )	Vaporizer, LPG	1

**HOW TO ORDER PARTS - See diagram above**

Only use TENNANT Company supplied or equivalent parts. Parts and supplies may be ordered online, by phone, by fax or by mail.

Follow the steps below to ensure prompt delivery.

1. (A) Identify the machine model.
2. (B) Identify the machine serial number from the data label.
3. (C) Ensure the proper serial number is used from the parts list.
4. Identify the part number and quantity.  
Do not order by page or reference numbers.
5. Provide your name, company name, customer ID number, billing and shipping address, phone number and purchase order number.
6. Provide detail shipping instructions.

- (D) ∇ - identifies an assembly  
▲ - identifies parts included in assembly

**Please fill out at time of installation for future reference.**

Model No. - \_\_\_\_\_

Serial No. - \_\_\_\_\_

Machine Options - \_\_\_\_\_

Sales Rep. - \_\_\_\_\_

Sales Rep. phone no. - \_\_\_\_\_

Customer ID Number - \_\_\_\_\_

Installation Date - \_\_\_\_\_

**Tennant Company**  
 10400 Clean Street  
 Eden Prairie, MN 55344- 2650 USA  
 Phone: (800) 553- 8033  
 www.tennantco.com

Specifications and parts are subject to change without notice.

Copyright © 2020 TENNANT Company, Printed in U.S.A.

<b>ES</b>	<p><b>CÓMO SOLICITAR PIEZAS - Consulte el diagrama anterior.</b></p> <p>Utilice sólo las piezas suministradas por TENNANT Company o piezas equivalentes. Puede solicitar las piezas a través de internet, por teléfono, por fax o por correo.</p> <p>Siga los siguientes pasos para que la entrega sea rápida.</p> <ol style="list-style-type: none"> <li>1. <b>(A)</b> Indique el modelo de máquina.</li> <li>2. <b>(B)</b> Indique el número de serie de la etiqueta de datos.</li> <li>3. <b>(C)</b> Asegúrese de que indica el número de serie correcto de la lista de piezas.</li> <li>4. Indique la cantidad y el número de la pieza. No realice el pedido indicando el número de página o el de referencia.</li> <li>5. Incluya su nombre, el nombre de la empresa, el ID de cliente, las direcciones de envío y facturación, el número de teléfono y el número del pedido de compra.</li> <li>6. Facilite instrucciones de envío.</li> </ol> <hr/> <p><b>(D)</b>    ▽ - identifica un conjunto           ▲ - identifica piezas de un conjunto</p>	<p><b>Rellene estos datos cuando realice la instalación para utilizarlos como referencia en el futuro.</b></p> <p>Nº modelo - _____</p> <p>Nº serie - _____</p> <p>Opciones de la máquina - _____</p> <p>Vendedor - _____</p> <p>Nº teléfono vendedor - _____</p> <p>Nº cliente - _____</p> <p>Fecha de instalación - _____</p>
-----------	---	---

<b>FR</b>	<p><b>COMMENT COMMANDER DES PIÈCES DÉTACHÉES - Voir le schéma ci-dessus.</b></p> <p>Utilisez uniquement des pièces fournies par la société TENNANT ou équivalentes. Les pièces et fournitures peuvent être commandées en ligne, par téléphone, fax, ou par courrier.</p> <p>Suivez les étapes ci-dessous pour assurer une livraison rapide.</p> <ol style="list-style-type: none"> <li>1. <b>(A)</b> Identifiez le modèle de la machine.</li> <li>2. <b>(B)</b> Identifiez le numéro de série de la machine, à partir de l'étiquette signalétique.</li> <li>3. <b>(C)</b> Assurez-vous que le numéro de série correct est utilisé à partir de la liste de pièces détachées.</li> <li>4. Identifiez le numéro de pièce et la quantité. Ne commandez pas par page ou numéros de référence.</li> <li>5. Fournissez votre nom, le nom de votre société, votre numéro d'identification de client, l'adresse de facturation et d'expédition, le numéro de téléphone et le numéro du bon de commande.</li> <li>6. Fournissez des instructions d'expédition détaillées.</li> </ol> <hr/> <p><b>(D)</b>    ▽ - identifie un assemblage           ▲ - identifie les pièces composant l'assemblage</p>	<p><b>A remplir au moment de l'installation à titre de référence.</b></p> <p>Nº du modèle - _____</p> <p>Nº de série - _____</p> <p>Options de la machine - _____</p> <p>Agent commercial - _____</p> <p>Nº tél. de l'agent commercial - _____</p> <p>Numéro d'identification client - _____</p> <p>Date d'installation - _____</p>
-----------	---	---



**STANDARD PARTS**

GENERAL RECOMMENDED MAINTENANCE ITEMS .....	7
REPLACEMENT BRUSHES AND PAD DRIVER DISK .....	10
REPLACEMENT BRUSHES CYLINDRICAL .....	12
REPLACEMENT PADS ORBITAL .....	13
SCRUB HEAD GROUP, DISK 650MM / 26IN ...	14
SCRUB HEAD GROUP, DISK 700MM / 28IN ...	16
SCRUB HEAD GROUP, DISK 800MM / 32IN ...	18
SCRUB HEAD GROUP, CYLINDRICAL 700MM / 28IN .....	20
SCRUB HEAD GROUP, CYLINDRICAL 700MM / 28IN - CONT'D .....	22
SCRUB HEAD GROUP, ORBITAL 700MM / 28IN .....	24
RECOVERY TANK GROUP .....	26
RECOVERY TANK FILTER AND HOSE GROUP, STANDARD SCREW CAP .....	28
SOLUTION TANK GROUP .....	30
STANDARD ELECTRICAL GROUP .....	32
FRAME AND DRIVE GROUP .....	34
HEAD LIFT GROUP, DISK .....	36
HEAD LIFT GROUP, CYLINDRICAL .....	38
HEAD LIFT GROUP, ORBITAL .....	40
SHROUD GROUP, DISK AND ORBITAL .....	42
SHROUD GROUP, CYLINDRICAL .....	43
LOWER CONSOLE GROUP, ON- BOARD CHARGER .....	44
LOWER CONSOLE GROUP, OFF- BOARD CHARGER .....	46
CONSOLE HANDLE, PRO- MEMBRANE PANEL .....	48
CONSOLE HANDLE, PRO- PANEL LCD .....	50
SQUEEGEE LIFT GROUP .....	52
SQUEEGEE ASSEMBLY, 500MM / 20IN .....	54
SQUEEGEE ASSEMBLY, 650MM / 26IN .....	56
SQUEEGEE ASSEMBLY, 700MM / 28IN .....	58
SQUEEGEE ASSEMBLY, 800MM / 32IN .....	60
STANDARD SOLUTION GROUP .....	62
STANDARD BATTERY CABLES GROUP .....	64

LABEL GROUP .....	65
ELECTRICAL DIAGRAM (S/N 10995399 - 20000000) .....	66
ELECTRICAL DIAGRAM (S/N 10000000 - 10995398) .....	74
ELECTRICAL HARNESS, MAIN (S/N 10995399 - 20000000) .....	78
ELECTRICAL HARNESS, MAIN (S/N 10000000 - 10995398) .....	82
ELECTRICAL HARNESS, OPERATOR STATION .....	86
ELECTRICAL HARNESS, BAIL SWITCH .....	88
ELECTRICAL HARNESS, ADAPTER (TELEMETRY MODELS) .....	89
ELECTRICAL HARNESS, RELAY ADAPTER (TPPL BATTERY OPTION) .....	90

**OPTIONS**

BATTERY GROUP, WET 225AH .....	91
BATTERY GROUP, WET 260AH .....	92
BATTERY GROUP, AGM 220AH .....	93
BATTERY GROUP, TPPL 183AH C/20 .....	94
BATTERY CABLES GROUP, TPPL BATTERY ..	95
MANUAL BATTERY WATERING SYSTEM .....	96
HYDROLINK® MANUAL BATTERY WATERING SYSTEM .....	98
SMART-FILL AUTOMATIC BATTERY WATERING SYSTEM (S/N 10995399 - 20000000) .....	100
SMART-FILL AUTOMATIC BATTERY WATERING SYSTEM (S/N 10000000 - 10995398) .....	102
ELECTRICAL GROUP, TELEMETRY .....	104
LOWER CONSOLE GROUP, ON- BOARD CHARGER, TPPL BATTERY .....	106
PINCH CUFF SCREW CAP DRAIN HOSE GROUP .....	108
CONTROL VALVE DRAIN HOSE GROUP .....	109
RECOVERY TANK RINSE KIT .....	110
SOLUTION TANK AUTO-FILL KIT .....	112
PARKING BRAKE GROUP .....	114
ec-H2O SOLUTION GROUP .....	116
SEVERE ENVIRONMENT SOLUTION GROUP ..	118
SEVERE ENVIRONMENT LOCKOUT KIT .....	120
DOCUMENTATION GROUP .....	121

# TABLE OF CONTENTS

---

## BREAKDOWNS

ec- H2O NANOCLEAN MODULE BREAKDOWN	
9020643 (S/N 10983853 - 200000000) . . . . .	122
ec- H2O NANOCLEAN MODULE BREAKDOWN	
9011810 (S/N 10000000 - 10983852) . . . . .	124
ORBITAL HEAD ECCENTRIC DRIVE	
BREAKDOWN . . . . .	126
AUTOMATIC BATTERY WATERING MODULE	
BREAKDOWN . . . . .	128

# RECOMMENDED MAINTENANCE ITEMS

## GENERAL RECOMMENDED MAINTENANCE ITEMS

Part No.	Serial Number	Description	Qty.
1223989	(1000000- 2000000 )	Brush Assy, Disk, Scb, 13.0d, Pyp	2
1223991	(1000000- 2000000 )	Brush Assy, Disk, Scb, 13.0d, Nyl	2
1223990	(1000000- 2000000 )	Brush Assy, Disk, Scb, 13.0d, Sab	2
1243567	(1000000- 2000000 )	Pad, Stripper, 13.0d, Brn [1pick=1ctn]	2
1243655	(1000000- 2000000 )	Pad, Scb, 13.0d Blu [1pick=1ctn]	2
1243341	(1000000- 2000000 )	Pad, Buff, 13.0d, Red [1pick=1ctn]	2
1243342	(1000000- 2000000 )	Pad, Polish, 13.0d, White [1pick=1ctn]	2
1243666	(1000000- 2000000 )	Pad, Surf Prep, 13.0d Maroon[1pick=1ctn]	2
1240356	(1000000- 2000000 )	Pad, Polish, 13.0d, Yel [1pick=1ctn]	2
1220218	(1000000- 2000000 )	Brush Assy, Disk, Scb, 14.0d, Pyp	2
1221541	(1000000- 2000000 )	Brush Assy, Disk, Scb, 14.0d, Nyl	2
1220217	(1000000- 2000000 )	Brush Assy, Disk, Scb, 14.0d, Sab	2
1243657	(1000000- 2000000 )	Pad, Stripping, 14.0d Brown [1pick=1ctn]	2
1243344	(1000000- 2000000 )	Pad, Scb, 14.0d, Blu [1pick=1ctn]	2
1243656	(1000000- 2000000 )	Pad, Buff, 14.0d Red [1pick=1ctn]	2
1243343	(1000000- 2000000 )	Pad, Polish, 14.0d, White [1pick=1ctn]	2
1243658	(1000000- 2000000 )	Pad, Strip, 14.0d Blk[Hi Prod1pick=1ctn]	2
1243667	(1000000- 2000000 )	Pad, Surf Prep, 14.0d Maroon[1pick=1ctn]	2
1240389	(1000000- 2000000 )	Pad, Polish, 14.0d, Yel [1pick=1ctn]	2
1220216	(1000000- 2000000 )	Brush Assy, Disk, Scb, 16.0d, Pyp	2
1220215	(1000000- 2000000 )	Brush Assy, Disk, Scb, 16.0d, Nyl	2
1220214	(1000000- 2000000 )	Brush Assy, Disk, Scb, 16.0d, Sab	2
1243685	(1000000- 2000000 )	Pad, Stripping, 16.0d, Brn [1pick=1ctn]	2
1243354	(1000000- 2000000 )	Pad, Scb, 16.0d, Blu [1pick=1ctn]	2
1243355	(1000000- 2000000 )	Pad, Buff, 16.0d, Red [1pick=1ctn]	2
1243356	(1000000- 2000000 )	Pad, Polish, 16.0d, White [1pick=1ctn]	2
1243659	(1000000- 2000000 )	Pad, Strip, 16.0d Blk[Hi Prod1pick=1ctn]	2
1243668	(1000000- 2000000 )	Pad, Surf Prep, 16.0d Maroon[1pick=1ctn]	2
1240390	(1000000- 2000000 )	Pad, Polish, 16.0d, Yel [1pick=1ctn]	2
222304	(1000000- 2000000 )	Brush, Scb, 28l, 18sr, Pyp, Spl	2
222305	(1000000- 2000000 )	Brush, Scb, 28l, 18sr, Nyl, Spl	2
222306	(1000000- 2000000 )	Brush, Scb, 28l, 18sr, Abr, Spl	2
1223247	(1000000- 2000000 )	Pad, Scb, 28 X 14, Blu [1pc=1pad]	1
1244690	(1000000- 2000000 )	Pad, Buff, 28 X 14, Red [1pick=1ctn]	1
1223246	(1000000- 2000000 )	Pad, Polish, 28 X 14, White [1pc=1pad]	1
1223248	(1000000- 2000000 )	Pad, Surf Prep, 28 X 14, Mar [1pc=1pad]	1
1223250	(1000000- 2000000 )	Pad, Scb, 28 X 14, Green [1pick=1ctn]	1
1075563	(1000000- 2000000 )	Pad, Stripping, 28 X 14, Blk [1pick=1ctn]	1
1228002	(1000000- 2000000 )	Pad, Melamine, 14" X 28" [Case Of 5]	1
1240343	(1000000- 2000000 )	Pad, Polish, 28 X 14, Yel [1pick=1ctn]	1
1221839	(1000000- 2000000 )	Pad, Backer, 28 X 14 (Includes Velcro Fasteners)	1
222403	(1000000- 2000000 )	Wheel, 02.0d 0.88w 0.50b (Disk Head)	2
1232324	(1000000- 2000000 )	Bumper, Head, 65cm, Skirt, Im	1
1232325	(1000000- 2000000 )	Bumper, Head, 70cm, Skirt, Im	1
1232326	(1000000- 2000000 )	Bumper, Head, 80cm, Skirt, Im	1
630477	(1000000- 2000000 )	Wheel, Pyu, 02.0d 0.38w, Gray (Cylindrical Head)	6
1014918	(1000000- 2000000 )	Wheel, 03.0d 0.88w 0.31b, W/ Bshg, Rbr (Orbital Head)	2
1218573	(1000000- 2000000 )	Skirt, Side, Scrb, Cyl [T500]	4
▽ 9015765	(1000000- 2000000 )	Belt Kit, Motor, Ci (Cylindrical Head)	1
▲ 1035888	(1000000- 2000000 )	Belt, Drive, 6grv, 508 L X 14 W, [6pj]	2
▲ 1203758	(1000000- 2000000 )	Tool, Installation, Belt	1

# RECOMMENDED MAINTENANCE ITEMS

## GENERAL RECOMMENDED MAINTENANCE ITEMS

	Part No.	Serial Number	Description	Qty.
▽	9015731	(10000000- 20000000 )	Blade Kit, 500mm, Linatex (Standard)	1
▲	1203953	(10000000- 20000000 )	Blade, Sqge, Rear, 836l, Linatex[500mm] (Standard)	1
▲	1203954	(10000000- 20000000 )	Blade, Sqge, Front, 788l, Linatex[500mm] (Standard)	1
▽	9015732	(10000000- 20000000 )	Blade Kit, 500mm, Urethane (Option)	1
▲	1215609	(10000000- 20000000 )	Blade, Sqge, Rear, 836l, Urethane[500mm] (Option)	1
▲	1215611	(10000000- 20000000 )	Blade, Sqge, Front, 788l, Urethane[500mm] (Option)	1
▽	9015730	(10000000- 20000000 )	Blade Kit, 500mm, Gum (Option)	1
▲	1215610	(10000000- 20000000 )	Blade, Sqge, Rear, 836l, Gum[500mm] (Option)	1
▲	1215612	(10000000- 20000000 )	Blade, Sqge, Front, 788l, Gum[500mm] (Option)	1
▽	9015734	(10000000- 20000000 )	Blade Kit, 650mm, Linatex/Linard (Standard)	1
▲	1221585	(10000000- 20000000 )	Blade, Sqge, Rear, 1166l, Linatex[650mm] (Standard)	1
▲	1232680	(10000000- 20000000 )	Blade, Sqge, Front, 1072l Linard[650mm] (Standard)	1
▽	9015735	(10000000- 20000000 )	Blade Kit, 650mm, Urethane (Option)	1
▲	1228909	(10000000- 20000000 )	Blade, Sqge, Rear, 1136l,Urethane[650mm] (Option)	1
▲	1228915	(10000000- 20000000 )	Blade, Sqge, Front,1072l,Urethane[650mm] (Option)	1
▽	9015733	(10000000- 20000000 )	Blade Kit, 650mm, Gum (Option)	1
▲	1228910	(10000000- 20000000 )	Blade, Sqge, Rear, 1136l, Gum[650mm] (Option)	1
▲	1228919	(10000000- 20000000 )	Blade, Sqge, Front, 1072l Gum[650mm] (Option)	1
▽	9015737	(10000000- 20000000 )	Blade Kit, 700mm, Linatex/Linard (Standard)	1
▲	1221572	(10000000- 20000000 )	Blade, Sqge, Rear, 1204l, Linatex[700mm] (Standard)	1
▲	1232679	(10000000- 20000000 )	Blade, Sqge, Front, 1148l Linard[700mm] (Standard)	1
▽	9015738	(10000000- 20000000 )	Blade Kit, 700mm, Urethane (Option)	1
▲	1228904	(10000000- 20000000 )	Blade, Sqge, Rear, 1204l,Urethane[700mm] (Option)	1
▲	1228906	(10000000- 20000000 )	Blade, Sqge, Front,1148l Urethane[700mm] (Option)	1
▽	9015736	(10000000- 20000000 )	Blade Kit, 700mm, Gum (Option)	1
▲	1228905	(10000000- 20000000 )	Blade, Sqge, Rear, 1204l, Gum[700mm] (Option)	1
▲	1228907	(10000000- 20000000 )	Blade, Sqge, Front, 1148l Gum[700mm] (Option)	1
▽	9015740	(10000000- 20000000 )	Blade Kit, 800mm, Linatex/Linard (Standard)	1
▲	1221115	(10000000- 20000000 )	Blade, Sqge, Rear, 1306l, Linatex[800mm] (Standard)	1
▲	1232681	(10000000- 20000000 )	Blade, Sqge, Front, 1256l Linard[800mm] (Standard)	1
▽	9015741	(10000000- 20000000 )	Blade Kit, 800mm, Urethane (Option)	1
▲	1228920	(10000000- 20000000 )	Blade, Sqge, Rear, 1306l,Urethane[800mm] (Option)	1
▲	1228922	(10000000- 20000000 )	Blade, Sqge, Front,1256l Urethane[800mm] (Option)	1
▽	9015739	(10000000- 20000000 )	Blade Kit, 800mm, Gum (Option)	1
▲	1228921	(10000000- 20000000 )	Blade, Sqge, Rear, 1306l, Gum[800mm] (Option)	1
▲	1228923	(10000000- 20000000 )	Blade, Sqge, Front, 1256l Gum[800mm] (Option)	1

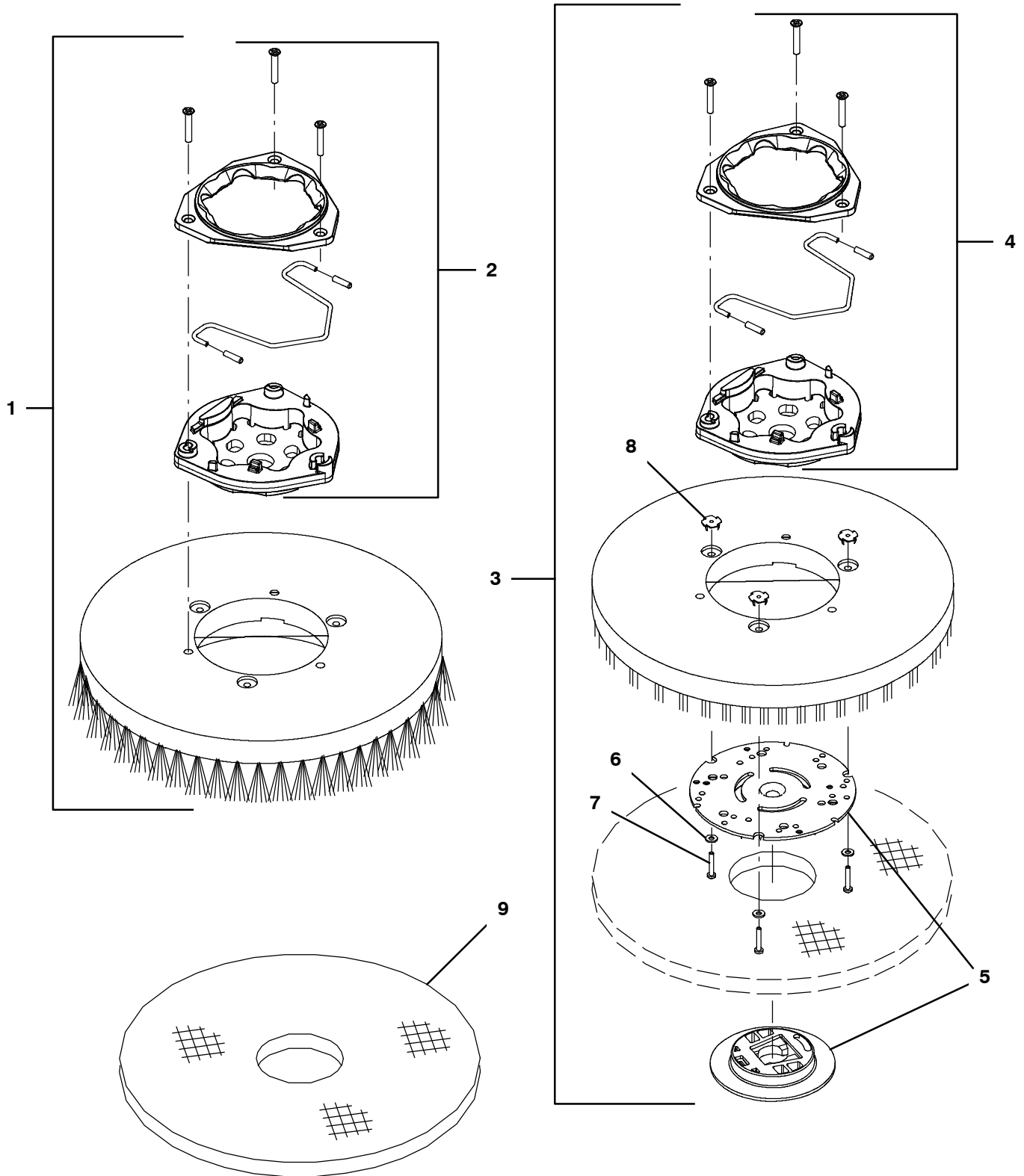
# RECOMMENDED MAINTENANCE ITEMS

## GENERAL RECOMMENDED MAINTENANCE ITEMS

	Part No.	Serial Number	Description	Qty.
▽	9004909	(10000000- 20000000 )	Wheel Kit, Solid, Ci [T5 T5e Ss5]	1
▲	1223583	(10000000- 20000000 )	Wheel, Scrbr, 213mm, W/ Taper	2
▽	1031723	(10000000- 20000000 )	Motor, Transaxle, 24vdc, Afmkt [T5]	1
▲	614166	(10000000- 20000000 )	Brush Kit, Carbon, Transaxle, Replmt [4]	1
▽	1226905	(10000000- 20000000 )	Fan, Vacuum, 6.6d, 024vdc, 2 Stage (Canada Also Requires Qty 1 Ferrite #1065665)	1
▲	1206774	(10000000- 20000000 )	Vr, Brush Kit, Motor, Fan	1
	1065665	(10000000- 20000000 )	Inductor, 32.3mml [Ferrite 10- 250mhz] (Canada Only)	1
	100038	(10000000- 20000000 )	Gasket, .50, 02.63id 05.75od, Adh [Epdm]	1
	630052	(10000000- 20000000 )	Float, Shut- Off, (2)Ball, 1.75d	1
	1207357	(10000000- 20000000 )	Tray, Debris, Tank, Recvy [T300]	1
▽	1250482	(10984821- 20000000 )	Hose Assy, Drain, 1.5id X 15.5l [Pvc] (Black - Standard)	1
▲▽	1218955	(10000000- 20000000 )	Cap, Drain Assy [Black]	1
▲▲	1008637	(10000000- 20000000 )	Seal, Org, 1.48id 1.76od	1
▽	1225793	(10000000- 10984820 )	Hose Assy, Drain, 1.5d 016l 1.5/Cap[Pvc] (Black - Standard) (Replaced By 1250482)	1
▲▽	1218955	(10000000- 20000000 )	Cap, Drain Assy [Black]	1
▲▲	1008637	(10000000- 20000000 )	Seal, Org, 1.48id 1.76od	1
▽	1247083	(10948943- 10984820 )	Hose Assy, Drain, 1.5id X 26.4l [Pu] (Gray - Option) (NLA - Replaced By Black PVC Hose 1250482)	1
▲▽	1219134	(10948943- 10984820 )	Cap, Drain Assy [Gray]	1
▲▲	1008637	(10000000- 20000000 )	Seal, Org, 1.48id 1.76od	1
▽	9015726	(10000000- 10948942 )	Hose Kit, Drain, Pu, W/ Valve, Ci[T500] (Gray - Option) (No Longer Available - Replaced by 1250482 - Pinch Cuff Screw Cap Style)	1
▲	1051986	(10000000- 10948942 )	Valve, Ball, 2way, 1.0id Pvc, W/Handle (No Longer Avail- able - Replaced by 1250482 - Pinch Cuff Screw Cap)	1
	1211220	(10000000- 20000000 )	Hose Assy,W/2cuff,1.5d 022l 1.5/1.5[Pvc] (Black - Std)	1
	1224414	(10000000- 10984820 )	Hose Assy, W/2cuff,1.5d 033l 1.5/1.5[Pu] (Gray - Option) (NLA - Replaced By Black PVC Hose 1211220)	1
	9015756	(10000000- 20000000 )	Seal, Cover, Recvy, Ci [T500]	1
	9015758	(10000000- 20000000 )	Seal, Tank, Soltn, Ci [T500/T500e]	1
	1066431	(10000000- 20000000 )	Seal, Afmkt, Bulb, Dual, 03ft [F/.30gap](Soltn Tank Front)	1
	1212422	(10000000- 20000000 )	Caster, Swivel [Wicke 224051]	2
▽	1211537	(10000000- 20000000 )	Filter, In- Line, Pf06/Pf06 080m 2.6l Epd	1
▲	1218885	(10000000- 20000000 )	Gasket [Epdm, F/1211537]	1
▲	1218883	(10000000- 20000000 )	Screen, Fltr, 80 Mesh, Ss [W/ Cage]	1
▲	613991	(10000000- 20000000 )	Bowl, Clr, Short, F/1005302	1
▽	9011810	(10000000- 20000000 )	Module Kit, Replmt [Ec- H2o, B 02] (Includes Cartridge)	1
▽	9014127	(10000000- 20000000 )	Controller Kit, Replmt [Ec- H2o Nc] (Includes Cartridge)	1
▲	9013646	(10000000- 20000000 )	Cartridge, Ec- H2o Nanoclean Wcm, 270ml	1
▲	1225817	(10000000- 20000000 )	Hose Assy, W/2cuff,1.5d 027l 2.0/1.5[Pu] (Gray)	1
▽	1023067	(10000000- 20000000 )	Motor, Ele, 24vdc 0220rpm 0.75hp Gear (Disk Head) (Canada - Also Require Qty 2 Ferrite #1227867)	2
▲	1031775	(10000000- 20000000 )	Brush Kit, Carbon, Motor, Replmt [T5] (Disk Head)	1
	1227867	(10000000- 20000000 )	Inductor, Ferrite [Split Case,407@100hz] (Canada Only)	4
▽	1223429	(10000000- 20000000 )	Motor, Ele, 24vdc 1500rpm 0.60hp (Cylindrical Head) (Canada - Also Require Qty 1 Ferrite #1065665)	2
▲	1031775	(10000000- 20000000 )	Brush Kit, Carbon, Motor, Replmt [T5] (Cylindrical Head)	1
	1065665	(10000000- 20000000 )	Inductor, 32.3mml [Ferrite 10- 250mhz] (Canada Only)	2
▽	1219913	(10000000- 20000000 )	Motor, Ele, 24vdc, 2200rpm, 0.75hp 28.0a (Orbital Head) (Canada - Also Require Qty 1 Ferrite #1065665)	1
▲	1059370	(10000000- 20000000 )	Brush, Motor, Replmt [Bag Of 4] (Orbital Head)	1
	1065665	(10000000- 20000000 )	Inductor, 32.3mml [Ferrite 10- 250mhz] (Canada Only)	1

REPLACEMENT BRUSHES AND PAD DRIVER DISK

355426



## REPLACEMENT BRUSHES AND PAD DRIVER DISK

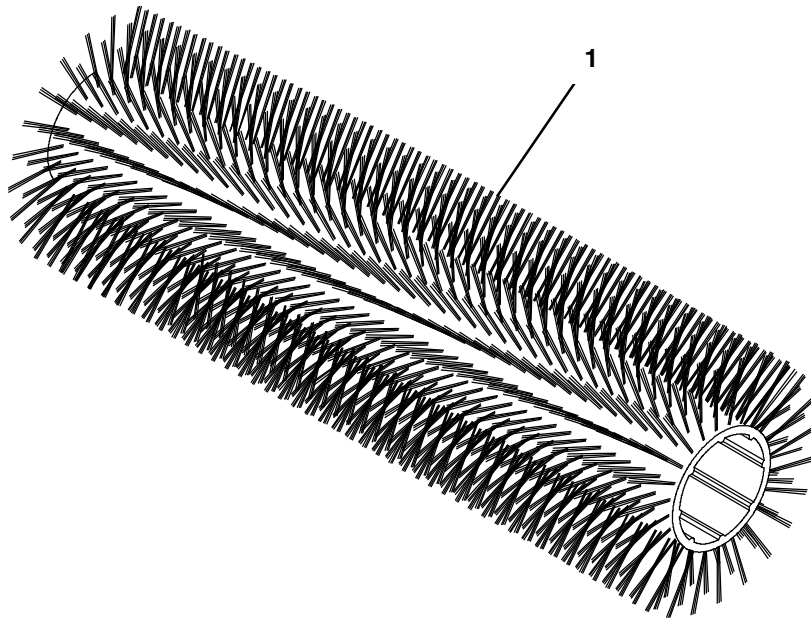
Ref.	Part No.	Serial Number	Description	Qty.
▽	1	1223989	(10000000- 20000000 ) Brush Assy, Disk, Scb, 13.0d, Pyp	2
▽	1	1223991	(10000000- 20000000 ) Brush Assy, Disk, Scb, 13.0d, Nyl	2
▽	1	1223990	(10000000- 20000000 ) Brush Assy, Disk, Scb, 13.0d, Sab	2
▽	1	1220218	(10000000- 20000000 ) Brush Assy, Disk, Scb, 14.0d, Pyp	2
▽	1	1221541	(10000000- 20000000 ) Brush Assy, Disk, Scb, 14.0d, Nyl	2
▽	1	1220217	(10000000- 20000000 ) Brush Assy, Disk, Scb, 14.0d, Sab	2
▽	1	1220216	(10000000- 20000000 ) Brush Assy, Disk, Scb, 16.0d, Pyp	2
▽	1	1220215	(10000000- 20000000 ) Brush Assy, Disk, Scb, 16.0d, Nyl	2
▽	1	1220214	(10000000- 20000000 ) Brush Assy, Disk, Scb, 16.0d, Sab	2
▲	2	9014667	(10000000- 20000000 ) Brush Kit, Hub Assy, Drive, Ci [Comm]	1
▽	3	1220220	(10000000- 20000000 ) Driver Assy, Pad, 13.0d, Brush	2
▽	3	1220221	(10000000- 20000000 ) Driver Assy, Pad, 14.0d, Brush	2
▽	3	1220222	(10000000- 20000000 ) Driver Assy, Pad, 16.0d, Brush	2
▲	4	9014667	(10000000- 20000000 ) Brush Kit, Hub Assy, Drive, Ci [Comm]	1
▲	5	370095	(10000000- 20000000 ) Device, Centering, Clip On, TI [Gf Pp]	1
▲	6	41579	(10000000- 20000000 ) Washer, Flat, 08, Ss	3
▲	7	04403	(10000000- 20000000 ) Screw, Pan, Phl, M4 X 0.70 X 25, NI, Ss	3
▲	8	10908	(10000000- 20000000 ) Nut, T, M4 X 0.70	3
	9	1243567	(10000000- 20000000 ) Pad, Stripper, 13.0d, Brn [1pick=1ctn]	2
	9	1243655	(10000000- 20000000 ) Pad, Scb, 13.0d Blu [1pick=1ctn]	2
	9	1243341	(10000000- 20000000 ) Pad, Buff, 13.0d, Red [1pick=1ctn]	2
	9	1243342	(10000000- 20000000 ) Pad, Polish, 13.0d, White [1pick=1ctn]	2
	9	1243666	(10000000- 20000000 ) Pad, Surf Prep, 13.0d Maroon[1pick=1ctn]	2
	9	1240356	(10000000- 20000000 ) Pad, Polish, 13.0d, Yel [1pick=1ctn]	2
	9	1243657	(10000000- 20000000 ) Pad, Stripping, 14.0d Brown [1pick=1ctn]	2
	9	1243344	(10000000- 20000000 ) Pad, Scb, 14.0d, Blu [1pick=1ctn]	2
	9	1243656	(10000000- 20000000 ) Pad, Buff, 14.0d Red [1pick=1ctn]	2
	9	1243343	(10000000- 20000000 ) Pad, Polish, 14.0d, White [1pick=1ctn]	2
	9	1243658	(10000000- 20000000 ) Pad, Strip, 14.0d Blk[Hi Prod1pick=1ctn]	2
	9	1243667	(10000000- 20000000 ) Pad, Surf Prep, 14.0d Maroon[1pick=1ctn]	2
	9	1240389	(10000000- 20000000 ) Pad, Polish, 14.0d, Yel [1pick=1ctn]	2
	9	1243685	(10000000- 20000000 ) Pad, Stripping, 16.0d, Brn [1pick=1ctn]	2
	9	1243354	(10000000- 20000000 ) Pad, Scb, 16.0d, Blu [1pick=1ctn]	2
	9	1243355	(10000000- 20000000 ) Pad, Buff, 16.0d, Red [1pick=1ctn]	2
	9	1243356	(10000000- 20000000 ) Pad, Polish, 16.0d, White [1pick=1ctn]	2
	9	1243659	(10000000- 20000000 ) Pad, Strip, 16.0d Blk[Hi Prod1pick=1ctn]	2
	9	1243668	(10000000- 20000000 ) Pad, Surf Prep, 16.0d Maroon[1pick=1ctn]	2
	9	1240390	(10000000- 20000000 ) Pad, Polish, 16.0d, Yel [1pick=1ctn]	2

▽ ASSEMBLY

▲ INCLUDED IN ASSEMBLY

REPLACEMENT BRUSHES CYLINDRICAL

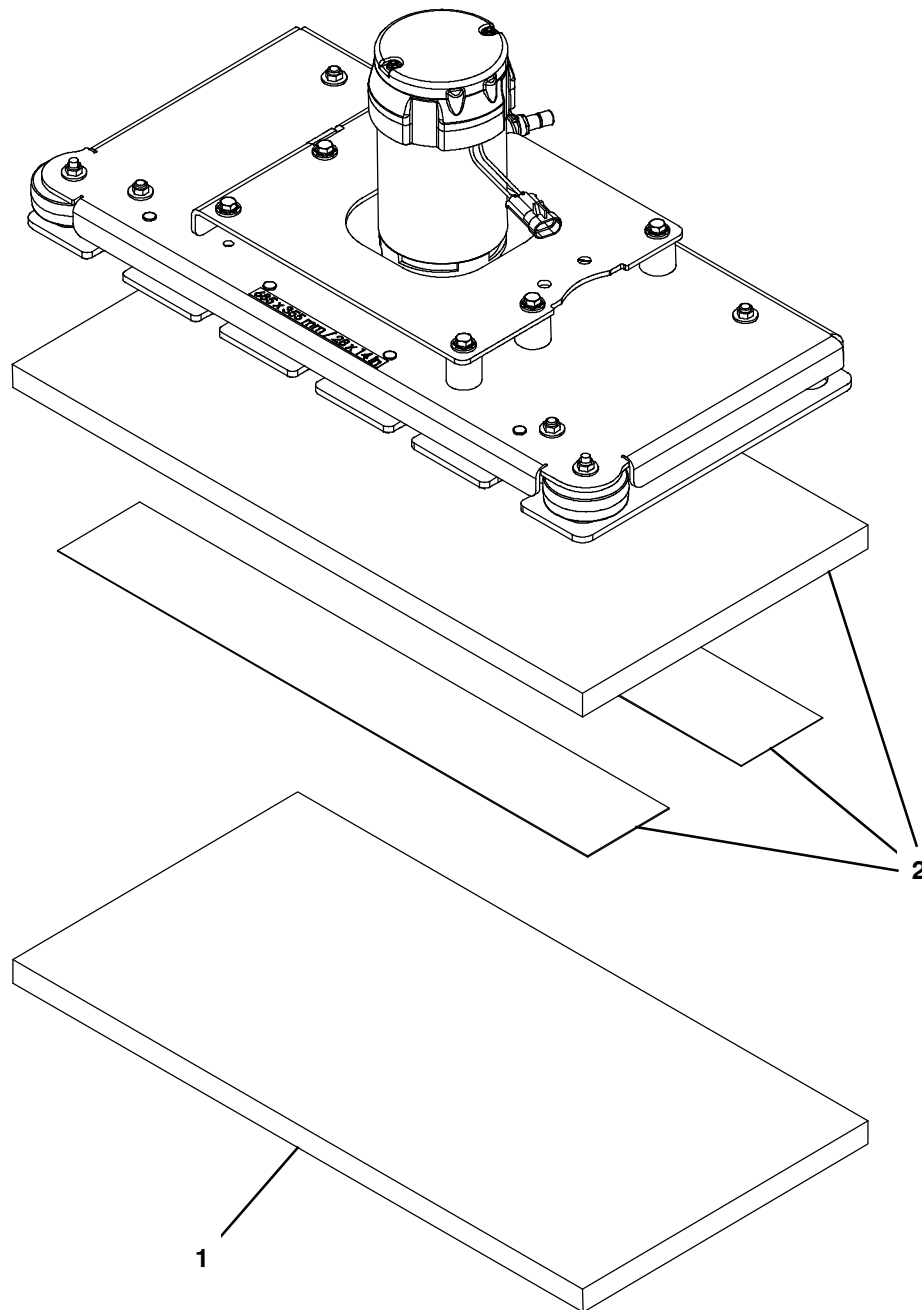
355427



Ref.	Part No.	Serial Number	Description	Qty.
1	222304	(10000000-20000000 )	Brush, Scb, 28l, 18sr, Pyp, Spl	2
1	222305	(10000000-20000000 )	Brush, Scb, 28l, 18sr, Nyl, Spl	2
1	222306	(10000000-20000000 )	Brush, Scb, 28l, 18sr, Abr, Spl	2

REPLACEMENT PADS ORBITAL

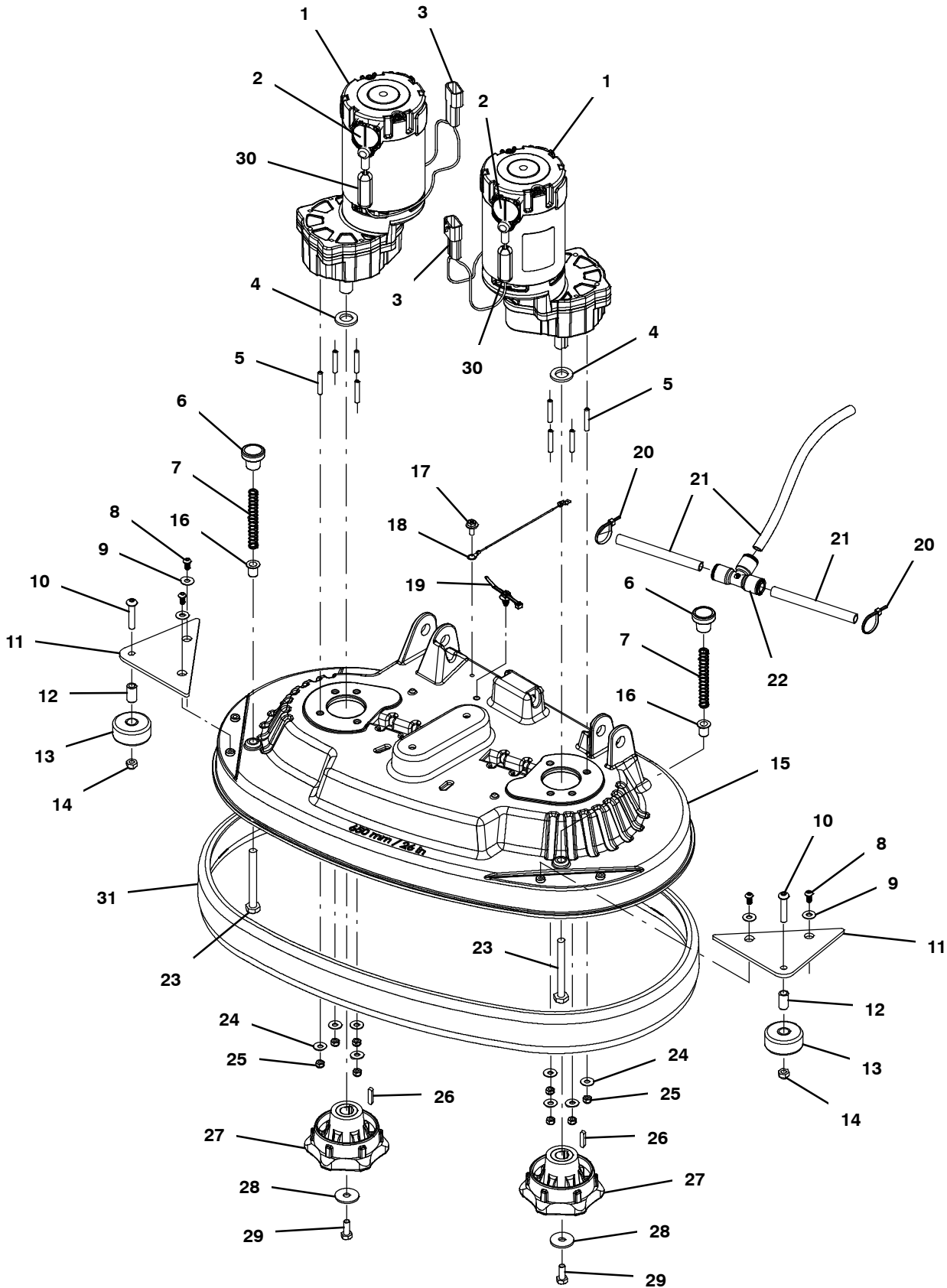
355478



Ref.	Part No.	Serial Number	Description	Qty.
1	1223247	(10000000- 20000000 )	Pad, Scb, 28 X 14, Blu [1pc=1pad]	1
1	1244690	(10000000- 20000000 )	Pad, Buff, 28 X 14, Red [1pick=1ctn]	1
1	1223246	(10000000- 20000000 )	Pad, Polish, 28 X 14, White [1pc=1pad]	1
1	1223248	(10000000- 20000000 )	Pad, Surf Prep, 28 X 14, Mar [1pc=1pad]	1
1	1223250	(10000000- 20000000 )	Pad, Scb, 28 X 14, Green [1pick=1ctn]	1
1	1075563	(10000000- 20000000 )	Pad, Stripping, 28 X 14, Blk [1pick=1ctn]	1
1	1228002	(10000000- 20000000 )	Pad, Melamine, 14" X 28" [Case Of 5]	1
1	1240343	(10000000- 20000000 )	Pad, Polish, 28 X 14, Yel [1pick=1ctn]	1
2	1221839	(10000000- 20000000 )	Pad, Backer, 28 X 14 (Includes Velcro Fasteners)	1

SCRUB HEAD GROUP, DISK 650MM / 26IN

355421



## SCRUB HEAD GROUP, DISK 650MM / 26IN

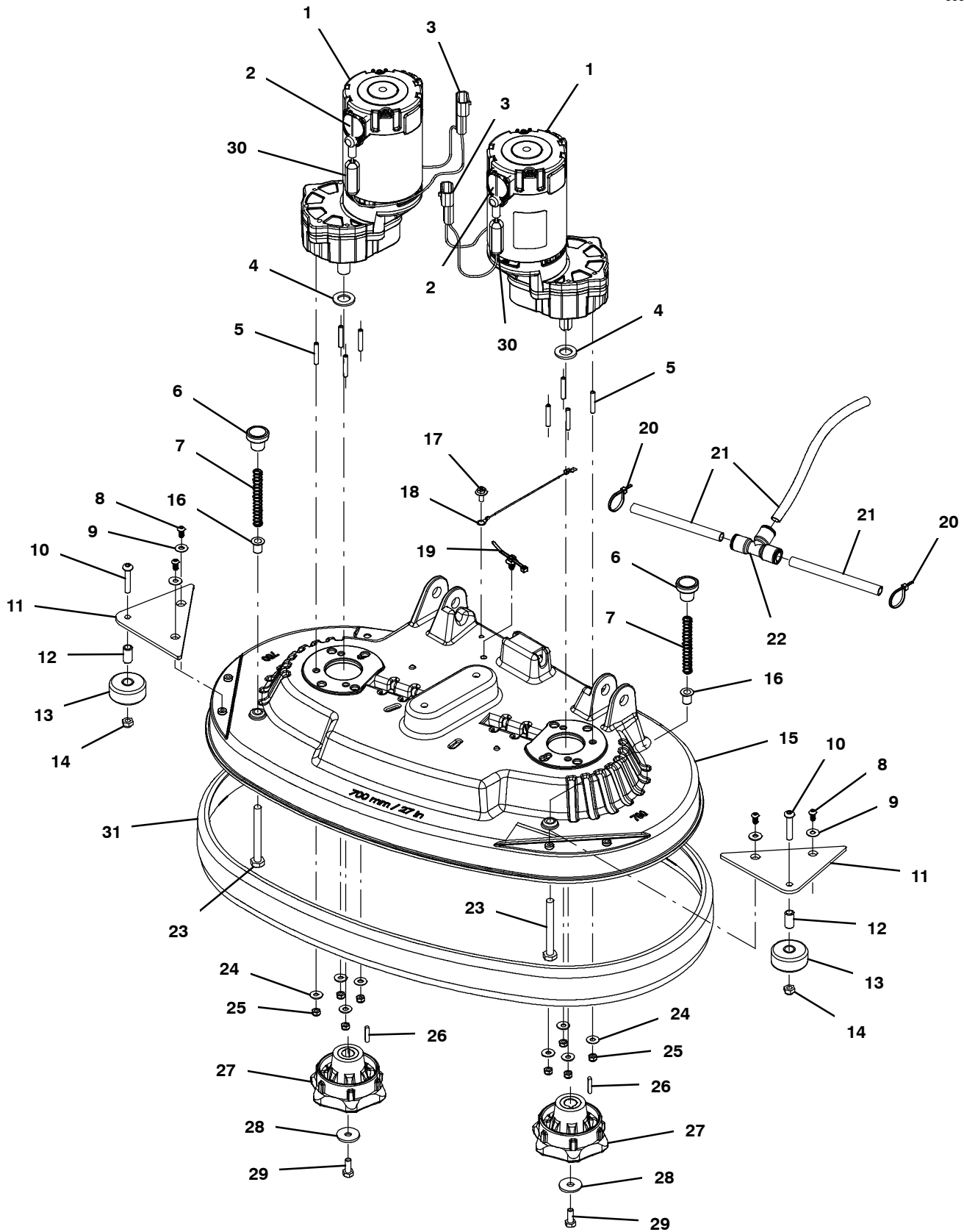
Ref.	Part No.	Serial Number	Description	Qty.
▽	1	1023067	(10000000- 20000000 ) Motor, Ele, 24vdc 0220rpm 0.75hp Gear (Canada Also Requires Qty 2 Ferrite #1227867)	2
▲	2	1031775	(10000000- 20000000 ) Brush Kit, Carbon, Motor, Replmt [T5]	1
▲	3	1031681	(10000000- 20000000 ) Harness, Connector, Brush- Motor [T5] Us	1
	4	1022549	(10000000- 20000000 ) Spacer, Shaft, 17.15b 30.0d 3.0l, Ss	2
	5	1025853	(10000000- 20000000 ) Screw, Set, M6 X 1.00 X 35, NI, Ss	8
	6	1222988	(10000000- 20000000 ) Knob, Rnd, 31.0d 27.0l M10, Plstc	2
	7	626081	(10000000- 20000000 ) Spring, Cmpr, 0.48od .04wir 03.5l	2
	8	1227865	(10000000- 20000000 ) Screw, Trs, M6 X 1.0 X 12, Phl, Ss, NI	4
	9	01684	(10000000- 20000000 ) Washer, Flat, 0.27b 0.69d .05, Ss	4
	10	397826	(10000000- 20000000 ) Screw, Btn, M8 X 1.25 X 40, Ss	2
	11	1227709	(10000000- 20000000 ) Bracket, Roller, Wall	2
	12	222496	(10000000- 20000000 ) Sleeve, P/M, 0.32b 0.50d 0.9l [430ss]	2
	13	222403	(10000000- 20000000 ) Wheel, 02.0d 0.88w 0.50b	2
	14	08713	(10000000- 20000000 ) Nut, Hex, Lock, M8 X 1.25, NI, Ss	2
▽	15	9018835	(10000000- 20000000 ) Housing, Disc, 65cm, Afmkt [T600, Na,Ce]	1
▲	16	1247152	(10000000- 20000000 ) Bushing, Flng, 10mmb 12mmd 17mml	2
	17	1034731	(10000000- 20000000 ) Screw, Hex, M6 X 1.00 X 16, Sems, Ss	1
	18	1074344	(10000000- 20000000 ) Harness, Ele [Ring With .250m Tail]	1
	19	1210807	(10000000- 20000000 ) Wire, Tie [W/.25" Fir Tree Clip]	1
	20	130773	(10000000- 20000000 ) Tie, Cable, Nyl, 11.0l, .14w, 3.0 Max. D	2
	21	9014145	(10000000- 20000000 ) Hose, Afmkt, Pe, .375id .50od, 05ft	1
	22	1212858	(10000000- 20000000 ) Fitting, Plstc, Tee, Qf08/Qf08/Qf08	1
	23	09746	(10000000- 20000000 ) Screw, Hex, M10 X 1.50 X 90, Ss	2
	24	01684	(10000000- 20000000 ) Washer, Flat, 0.27b 0.69d .05, Ss	8
	25	08712	(10000000- 20000000 ) Nut, Hex, Lock, M6 X 1.00, NI, Ss	8
	26	1014328	(10000000- 20000000 ) Key, Sq, 05mm X 05mm, 25mml	2
	27	1071637	(10000000- 20000000 ) Hub, Drive, Brush, Disk, 17mmb	2
	28	1017218	(10000000- 20000000 ) Washer, Flat, 0.32b 1.00d .12, Ss	2
	29	12273	(10000000- 20000000 ) Screw, Hex, M8 X 1.25 X 20, NI, Ss	2
	30	1227867	(10000000- 20000000 ) Inductor, Ferrite [Split Case,407@100hz] (Canada Only)	4
	31	1232324	(10000000- 20000000 ) Bumper, Head, 65cm, Skirt, Im	1

▽ ASSEMBLY

▲ INCLUDED IN ASSEMBLY

SCRUB HEAD GROUP, DISK 700MM / 28IN

355422



## SCRUB HEAD GROUP, DISK 700MM / 28IN

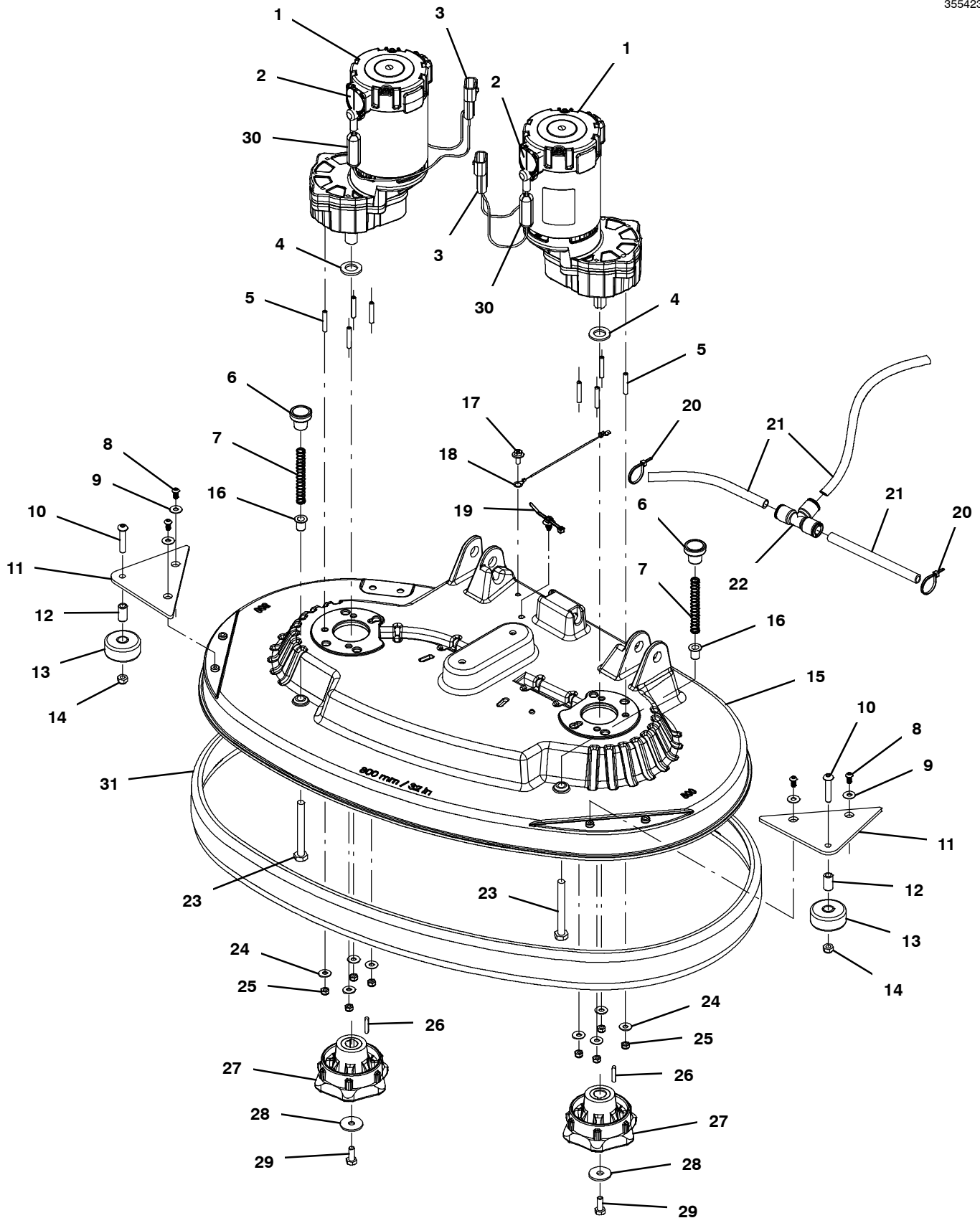
Ref.	Part No.	Serial Number	Description	Qty.
▽	1	1023067	(10000000- 20000000 ) Motor, Ele, 24vdc 0220rpm 0.75hp Gear (Canada Also Requires Qty 2 Ferrite #1227867)	2
▲	2	1031775	(10000000- 20000000 ) Brush Kit, Carbon, Motor, Replmt [T5]	1
▲	3	1031681	(10000000- 20000000 ) Harness, Connector, Brush- Motor [T5] Us	1
	4	1022549	(10000000- 20000000 ) Spacer, Shaft, 17.15b 30.0d 3.0l, Ss	2
	5	1025853	(10000000- 20000000 ) Screw, Set, M6 X 1.00 X 35, NI, Ss	8
	6	1222988	(10000000- 20000000 ) Knob, Rnd, 31.0d 27.0l M10, Plstc	2
	7	626081	(10000000- 20000000 ) Spring, Cmpr, 0.48od .04wir 03.5l	2
	8	1227865	(10000000- 20000000 ) Screw, Trs, M6 X 1.0 X 12, Phl, Ss, NI	4
	9	01684	(10000000- 20000000 ) Washer, Flat, 0.27b 0.69d .05, Ss	4
	10	397826	(10000000- 20000000 ) Screw, Btn, M8 X 1.25 X 40, Ss	2
	11	1227709	(10000000- 20000000 ) Bracket, Roller, Wall	2
	12	222496	(10000000- 20000000 ) Sleeve, P/M, 0.32b 0.50d 0.9l [430ss]	2
	13	222403	(10000000- 20000000 ) Wheel, 02.0d 0.88w 0.50b	2
	14	08713	(10000000- 20000000 ) Nut, Hex, Lock, M8 X 1.25, NI, Ss	2
▽	15	9018824	(10000000- 20000000 ) Housing, Disc, 70cm, Afmkt [T600, Na,Ce]	1
▲	16	1247152	(10000000- 20000000 ) Bushing, Flng, 10mmb 12mmd 17mml	2
	17	1034731	(10000000- 20000000 ) Screw, Hex, M6 X 1.00 X 16, Sems, Ss	1
	18	1074344	(10000000- 20000000 ) Harness, Ele [Ring With .250m Tail]	1
	19	1210807	(10000000- 20000000 ) Wire, Tie [W/.25" Fir Tree Clip]	1
	20	130773	(10000000- 20000000 ) Tie, Cable, Nyl, 11.0l, .14w, 3.0 Max. D	2
	21	9014145	(10000000- 20000000 ) Hose, Afmkt, Pe, .375id .50od, 05ft	1
	22	1212858	(10000000- 20000000 ) Fitting, Plstc, Tee, Qf08/Qf08/Qf08	1
	23	09746	(10000000- 20000000 ) Screw, Hex, M10 X 1.50 X 90, Ss	2
	24	01684	(10000000- 20000000 ) Washer, Flat, 0.27b 0.69d .05, Ss	8
	25	08712	(10000000- 20000000 ) Nut, Hex, Lock, M6 X 1.00, NI, Ss	8
	26	1014328	(10000000- 20000000 ) Key, Sq, 05mm X 05mm, 25mml	2
	27	1071637	(10000000- 20000000 ) Hub, Drive, Brush, Disk, 17mmb	2
	28	1017218	(10000000- 20000000 ) Washer, Flat, 0.32b 1.00d .12, Ss	2
	29	12273	(10000000- 20000000 ) Screw, Hex, M8 X 1.25 X 20, NI, Ss	2
	30	1227867	(10000000- 20000000 ) Inductor, Ferrite [Split Case,407@100hz] (Canada Only)	4
	31	1232325	(10000000- 20000000 ) Bumper, Head, 70cm, Skirt, Im	1

▽ ASSEMBLY

▲ INCLUDED IN ASSEMBLY

SCRUB HEAD GROUP, DISK 800MM / 32IN

355423



## SCRUB HEAD GROUP, DISK 800MM / 32IN

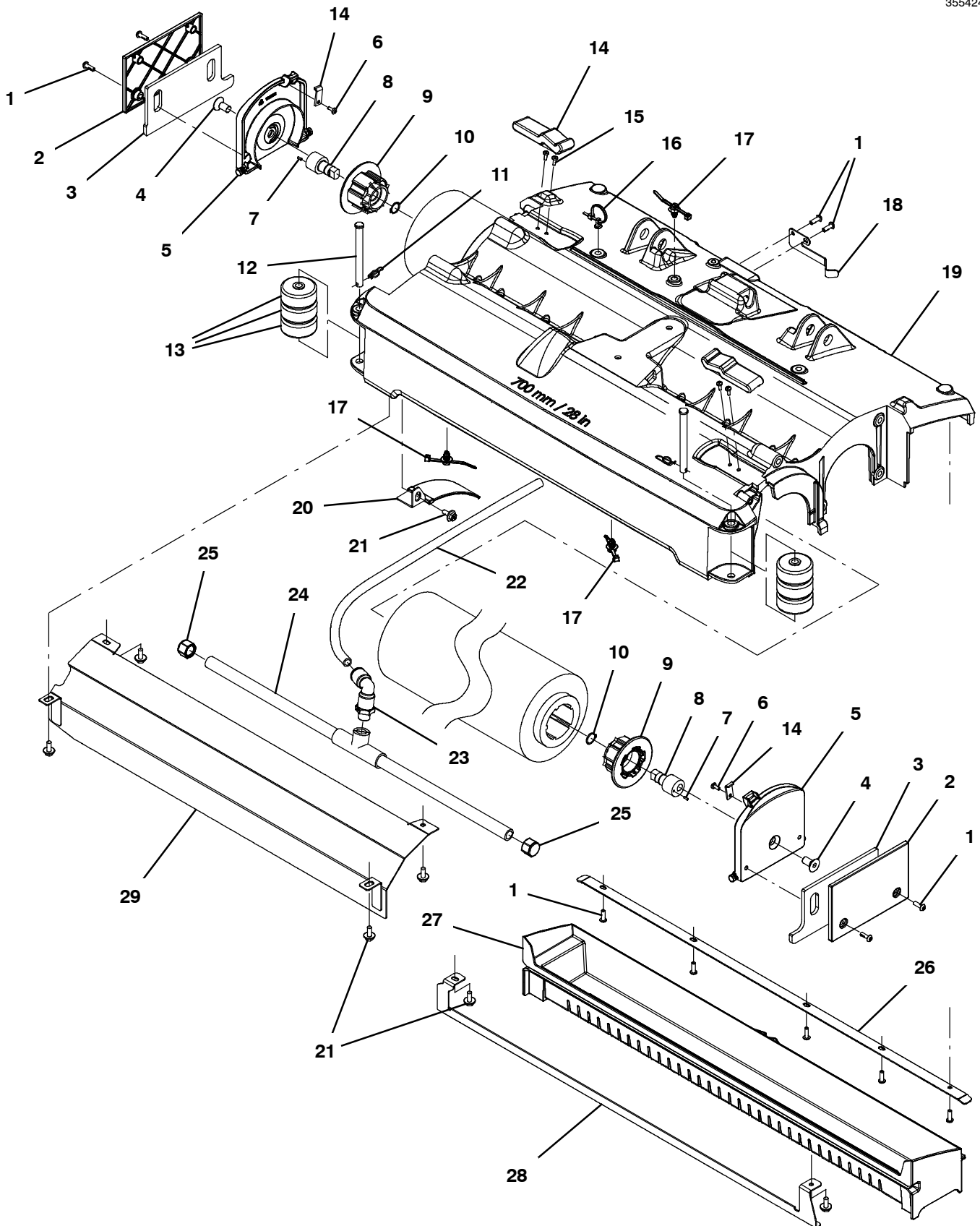
Ref.	Part No.	Serial Number	Description	Qty.
▽	1	1023067	(10000000- 20000000 ) Motor, Ele, 24vdc 0220rpm 0.75hp Gear (Canada Also Requires Qty 2 Ferrite #1227867)	2
▲	2	1031775	(10000000- 20000000 ) Brush Kit, Carbon, Motor, Replmt [T5]	1
▲	3	1031681	(10000000- 20000000 ) Harness, Connector, Brush- Motor [T5] Us	1
	4	1022549	(10000000- 20000000 ) Spacer, Shaft, 17.15b 30.0d 3.0l, Ss	2
	5	1025853	(10000000- 20000000 ) Screw, Set, M6 X 1.00 X 35, NI, Ss	8
	6	1222988	(10000000- 20000000 ) Knob, Rnd, 31.0d 27.0l M10, Plstc	2
	7	626081	(10000000- 20000000 ) Spring, Cmpr, 0.48od .04wir 03.5l	2
	8	1227865	(10000000- 20000000 ) Screw, Trs, M6 X 1.0 X 12, Phl, Ss, NI	4
	9	01684	(10000000- 20000000 ) Washer, Flat, 0.27b 0.69d .05, Ss	4
	10	397826	(10000000- 20000000 ) Screw, Btn, M8 X 1.25 X 40, Ss	2
	11	1227709	(10000000- 20000000 ) Bracket, Roller, Wall	2
	12	222496	(10000000- 20000000 ) Sleeve, P/M, 0.32b 0.50d 0.9l [430ss]	2
	13	222403	(10000000- 20000000 ) Wheel, 02.0d 0.88w 0.50b	2
	14	08713	(10000000- 20000000 ) Nut, Hex, Lock, M8 X 1.25, NI, Ss	2
▽	15	9018823	(10000000- 20000000 ) Housing, Disc, 80cm, Afmkt [T600, Na,Ce]	1
▲	16	1247152	(10000000- 20000000 ) Bushing, Flng, 10mmb 12mmd 17mml	2
	17	1034731	(10000000- 20000000 ) Screw, Hex, M6 X 1.00 X 16, Sems, Ss	1
	18	1074344	(10000000- 20000000 ) Harness, Ele [Ring With .250m Tail]	1
	19	1210807	(10000000- 20000000 ) Wire, Tie [W/.25" Fir Tree Clip]	1
	20	130773	(10000000- 20000000 ) Tie, Cable, Nyl, 11.0l, .14w, 3.0 Max. D	2
	21	9014145	(10000000- 20000000 ) Hose, Afmkt, Pe, .375id .50od, 05ft	1
	22	1212858	(10000000- 20000000 ) Fitting, Plstc, Tee, Qf08/Qf08/Qf08	1
	23	09746	(10000000- 20000000 ) Screw, Hex, M10 X 1.50 X 90, Ss	2
	24	01684	(10000000- 20000000 ) Washer, Flat, 0.27b 0.69d .05, Ss	8
	25	08712	(10000000- 20000000 ) Nut, Hex, Lock, M6 X 1.00, NI, Ss	8
	26	1014328	(10000000- 20000000 ) Key, Sq, 05mm X 05mm, 25mml	2
	27	1071637	(10000000- 20000000 ) Hub, Drive, Brush, Disk, 17mmb	2
	28	1017218	(10000000- 20000000 ) Washer, Flat, 0.32b 1.00d .12, Ss	2
	29	12273	(10000000- 20000000 ) Screw, Hex, M8 X 1.25 X 20, NI, Ss	2
	30	1227867	(10000000- 20000000 ) Inductor, Ferrite [Split Case,407@100hz] (Canada Only)	4
	31	1232326	(10000000- 20000000 ) Bumper, Head, 80cm, Skirt, Im	1

▽ ASSEMBLY

▲ INCLUDED IN ASSEMBLY

SCRUB HEAD GROUP, CYLINDRICAL 700MM / 28IN

355424

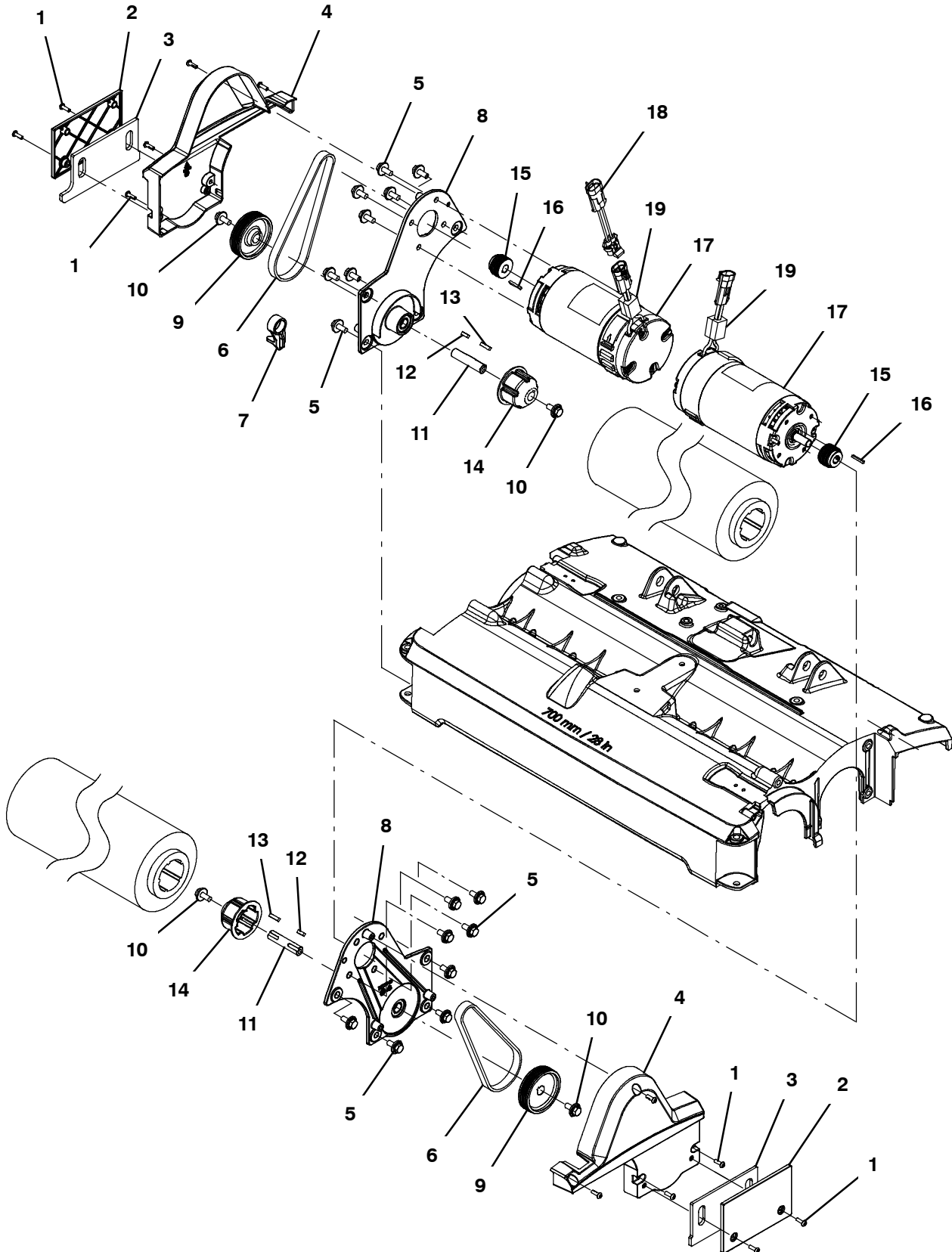


## SCRUB HEAD GROUP, CYLINDRICAL 700MM / 28IN

Ref.	Part No.	Serial Number	Description	Qty.
1	1205799	(10000000-20000000)	Screw, Btn, M5 X 0.8 X 16, 8.8, NI, Torx	2
2	1218032	(10000000-20000000)	Cover, Skirt, 2cyl [T500]	2
3	1218573	(10000000-20000000)	Skirt, Side, Scrb, Cyl [T500]	2
4	390996	(10000000-20000000)	Screw, Flt, Soc, M10 X 1.50 X 20, 10.9, NI	2
5	1218692	(10000000-20000000)	Door, Brush, 2cyl [Machined, T500]	1
6	49697	(10000000-20000000)	Screw, Pan, Phl, M4 X 0.70 X 10, Ss	6
7	222184	(10000000-20000000)	Pin, Roll, .094d X 0.25l, .094/.097	2
8	222177	(10000000-20000000)	Shaft, Plug, Idler	2
9	1057629	(10000000-20000000)	Plug, Idler, Brush [Sgl Brg]	2
10	01516	(10000000-20000000)	Ring, Retaining, Ext, 0.59d, Basic	2
11	1216647	(10000000-20000000)	Pin, Cotter, Hair, 0.38d .054 Wir	2
12	49914	(10000000-20000000)	Pin, Clevis, 0.37d X 4.00l	2
13	630477	(10000000-20000000)	Wheel, Pyu, 02.0d 0.38w, Gray	6
14	1207285	(10000000-20000000)	Latch, Draw, Rbr, W/ Keeper, Yellow	2
15	49697	(10000000-20000000)	Screw, Pan, Phl, M4 X 0.70 X 10, Ss	6
16	1221161	(10000000-20000000)	Tie, Cable, Nyl, Push Mount, 76mm Max D	1
17	1210807	(10000000-20000000)	Wire, Tie [W/.25" Fir Tree Clip]	3
18	1218242	(10000000-20000000)	Bracket, Spring, Tray, Debris [T500]	1
19	1217942	(10000000-20000000)	Housing, Cyl, 70cm [Machined]	1
20	1029358	(10000000-20000000)	Deflector, Water, Cyl Head	1
21	1034731	(10000000-20000000)	Screw, Hex, M6 X 1.00 X 16, Sems, Ss	7
22	9014145	(10000000-20000000)	Hose, Afmkt, Pe, .375id .50od, 05ft	1
23	1212987	(10000000-20000000)	Fitting, Plstc, E90, Qf08/Pm06, Swivel	1
24	1046049	(10000000-20000000)	Tube Assy, Bar, Spray, 70cm [T5, 5680]	1
25	1025580	(10000000-20000000)	Fitting, Pipe, Cap, P06, Nyl	2
26	1218153	(10000000-20000000)	Bracket, Tray, Debris [T500]	1
27	1218144	(10000000-20000000)	Tray, Debris, 700mm [lm] [Rhine]	1
28	1218577	(10000000-20000000)	Bracket, Slide, Tray, Debris	1
29	1219969	(10000000-20000000)	Panel Wldt, Wrap, Brush [T500]	1

SCRUB HEAD GROUP, CYLINDRICAL 700MM / 28IN - CONT'D

355430



SCRUB HEAD GROUP, CYLINDRICAL 700MM / 28IN - CONT'D

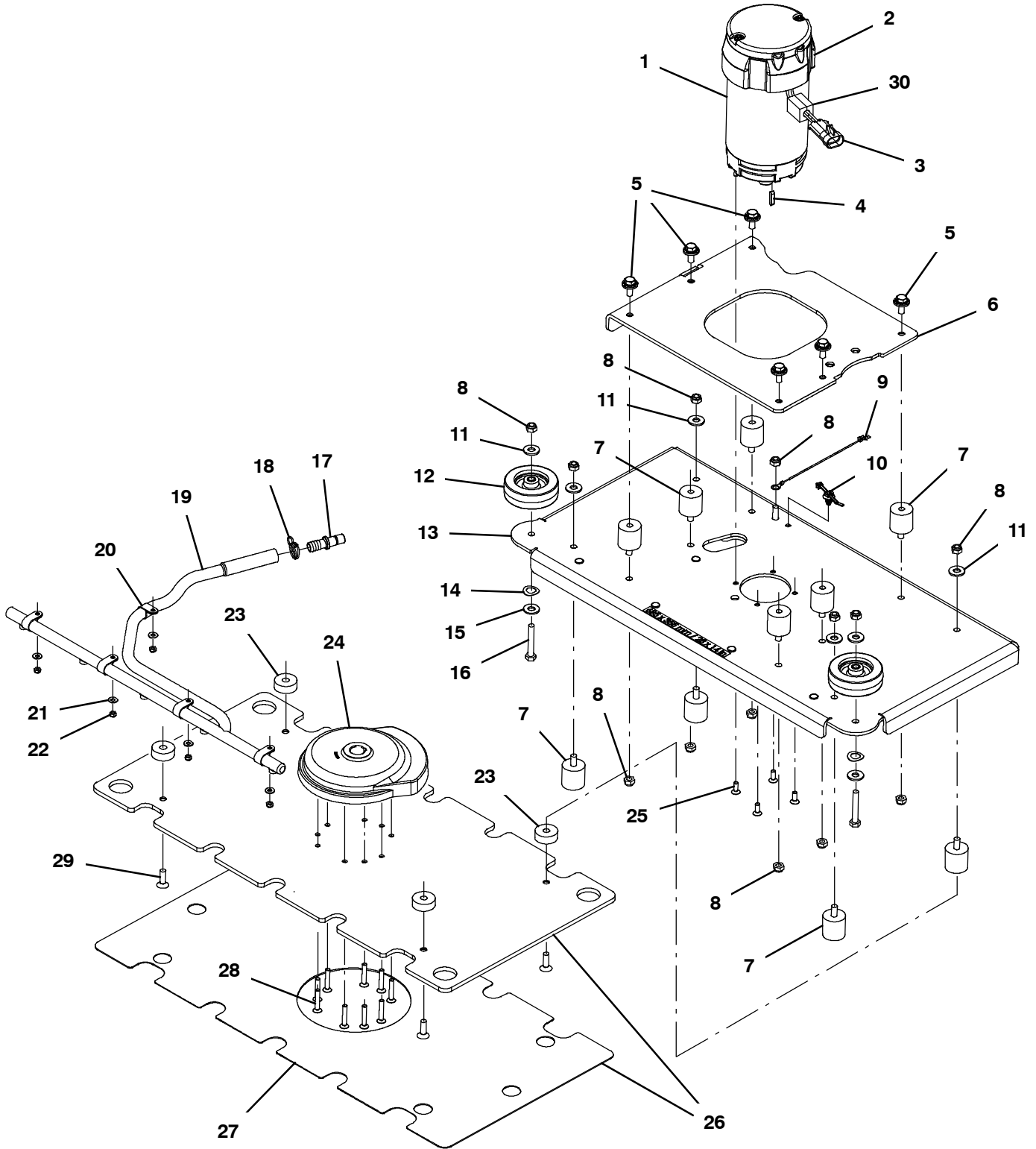
Ref.	Part No.	Serial Number	Description	Qty.	
1	1205799	(10000000- 20000000 )	Screw, Btn, M5 X 0.8 X 16, 8.8, NI, Torx	12	
2	1218032	(10000000- 20000000 )	Cover, Skirt, 2cyl [T500]	2	
3	1218573	(10000000- 20000000 )	Skirt, Side, Scrub, Cyl [T500]	2	
4	1218012	(10000000- 20000000 )	Cover, Belt, 2 Cyl [T500]	2	
5	1020341	(10000000- 20000000 )	Screw, Hex, M8 X 1.25 X 20, Ss, Sems	16	
▽	6	9015765	(10000000- 20000000 )	Belt Replacement Kit (Cylindrical)	1
▲		1035888	(10000000- 20000000 )	Belt, Drive, 6grv, 508 L X 14 W, [6pj]	2
▲	7	1203758	(10000000- 20000000 )	Tool, Installation, Belt	1
▽	8	9018012	(10000000- 20000000 )	Bracket Assy, Motor, Ci (Includes Bearings And Tube - Not Available Separately)	2
▲	9	1035173	(10000000- 20000000 )	Sheave, 06grv, 2.96pd 0.59b, Alm [Pj]	1
▲	10	1020341	(10000000- 20000000 )	Screw, Hex, M8 X 1.25 X 20, Ss, Sems	2
▲	11	1021050	(10000000- 20000000 )	Shaft, Drive, 15.0d X 65.5l [T5, 1610]	1
▲	12	00961	(10000000- 20000000 )	Key, Sq, 0.19 X 0.19, 0.50l	1
▲	13	00911	(10000000- 20000000 )	Key, Sq, 0.19 X 0.19, 0.75l	1
▲	14	378805	(10000000- 20000000 )	Plug, Drive, Brush, Mach	1
	15	1033528	(10000000- 20000000 )	Sheave, 06grv, 1.33pd 0.50b, Alm [Pj]	2
	16	00954	(10000000- 20000000 )	Key, Sq, 0.12 X 0.12, 1.00l	2
▽	17	1223429	(10000000- 20000000 )	Motor, Ele, 24vdc 1500rpm 0.60hp (Canada Also Requires Qty 1 Ferrite #1065665)	2
▲		1031775	(10000000- 20000000 )	Brush Kit, Carbon, Motor, Replmt [T5]	1
	18	1052895	(10000000- 20000000 )	Harness, Adapter, Motor [T7/T5]	1
	19	1065665	(10000000- 20000000 )	Inductor, 32.3mml [Ferrite 10- 250mhz] (Canada Only)	2

▽ ASSEMBLY

▲ INCLUDED IN ASSEMBLY

SCRUB HEAD GROUP, ORBITAL 700MM / 28IN

355425



## SCRUB HEAD GROUP, ORBITAL 700MM / 28IN

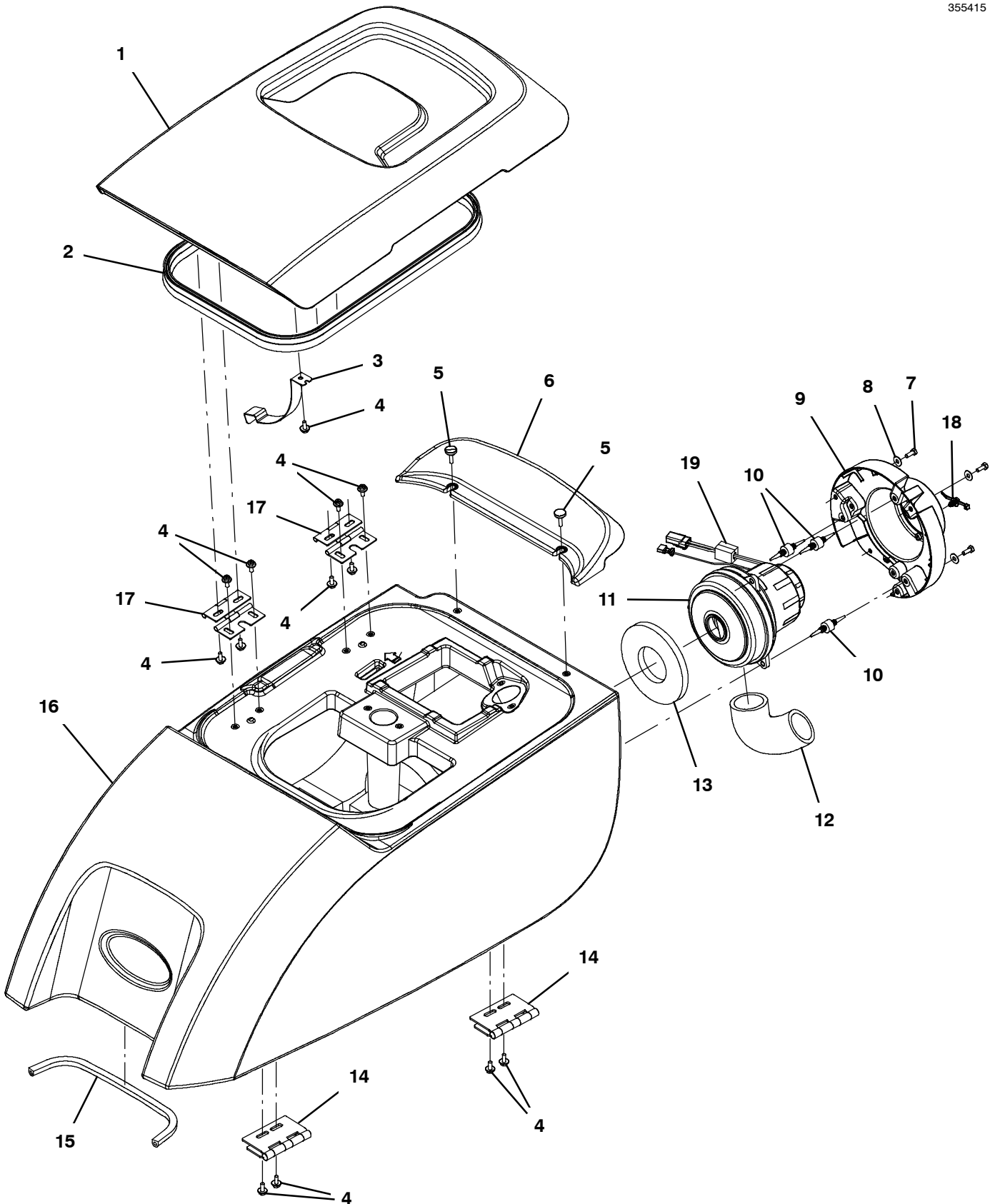
Ref.	Part No.	Serial Number	Description	Qty.
▽	1	1219913	(10000000- 20000000 ) Motor, Ele, 24vdc, 2200rpm, 0.75hp 28.0a (Canada Also Requires Qty 1 Ferrite #1065665)	1
▲	2	1059370	(10000000- 20000000 ) Brush, Motor, Replmt [Bag Of 4]	1
▲	3	1031681	(10000000- 20000000 ) Harness, Connector, Brush- Motor [T5] Us	1
	4	1231238	(10000000- 20000000 ) Key, Sq, 5mm X 5mm X 22mm	1
	5	1020341	(10000000- 20000000 ) Screw, Hex, M8 X 1.25 X 20, Ss, Sems	6
	6	1220910	(10000000- 20000000 ) Bracket Wldt, Mtg, Head	1
	7	1212543	(10000000- 20000000 ) Isolator, Neoprene, 1.25" X 1.25", M8	13
	8	08713	(10000000- 20000000 ) Nut, Hex, Lock, M8 X 1.25, NI, Ss	1
	9	1074344	(10000000- 20000000 ) Harness, Ele [Ring With .250m Tail]	1
	10	1210807	(10000000- 20000000 ) Wire, Tie [W/.25" Fir Tree Clip]	1
	11	01685	(10000000- 20000000 ) Washer, Flat, 0.38b 0.88d .08, Ss	6
	12	1014918	(10000000- 20000000 ) Wheel, 03.0d 0.88w 0.31b, W/ Bshg, Rbr	2
	13	1221766	(10000000- 20000000 ) Housing Wldt, Brush	1
	14	1210221	(10000000- 20000000 ) Washer, Wave, .515b, .875d, .013, Ss	2
	15	01685	(10000000- 20000000 ) Washer, Flat, 0.38b 0.88d .08, Ss	2
	16	49694	(10000000- 20000000 ) Screw, Hex, M8 X 1.25 X 50, Ss	2
	17	1212807	(10000000- 20000000 ) Fitting, Plstc, Str, Qm08/Bm08	1
	18	607776	(10000000- 20000000 ) Clamp, Hose, Wir, .73 - .77, Silver	1
	19	1234853	(10000000- 20000000 ) Manifold, Bar, Spray [28in]	1
	20	140916	(10000000- 20000000 ) Clamp, Cable, Nyl, 0.62d, Nat	5
	21	01683	(10000000- 20000000 ) Washer, Flat, 10, Ss	4
	22	09739	(10000000- 20000000 ) Nut, Hex, Lock, M5 X 0.80, NI, Ss	4
	23	1221850	(10000000- 20000000 ) Spacer, Head	4
	24	9015774	(10000000- 20000000 ) Eccentric Drive Kit, Orbital	1
	25	09163	(10000000- 20000000 ) Screw, Flt, Soc, M6 X 1.00 X 16, 18- 8,Ss	4
▽	26	9015416	(10000000- 20000000 ) Driver Kit, Pad, Ci [T500] (Includes Driver Plate, Driver Face, & Red Buffing Pad)	1
▲	27	1220627	(10000000- 20000000 ) Face, Pad Driver	1
	28	1212710	(10000000- 20000000 ) Screw, Flt, Soc, M6 X 1.00 X 35, 10.9,NI	6
	29	74077	(10000000- 20000000 ) Screw, Flt, Soc, M8 X 1.25 X 25, Ss	4
	30	1065665	(10000000- 20000000 ) Inductor, 32.3mml [Ferrite 10- 250mhz] (Canada Only)	1

▽ ASSEMBLY

▲ INCLUDED IN ASSEMBLY

RECOVERY TANK GROUP

355415



## RECOVERY TANK GROUP

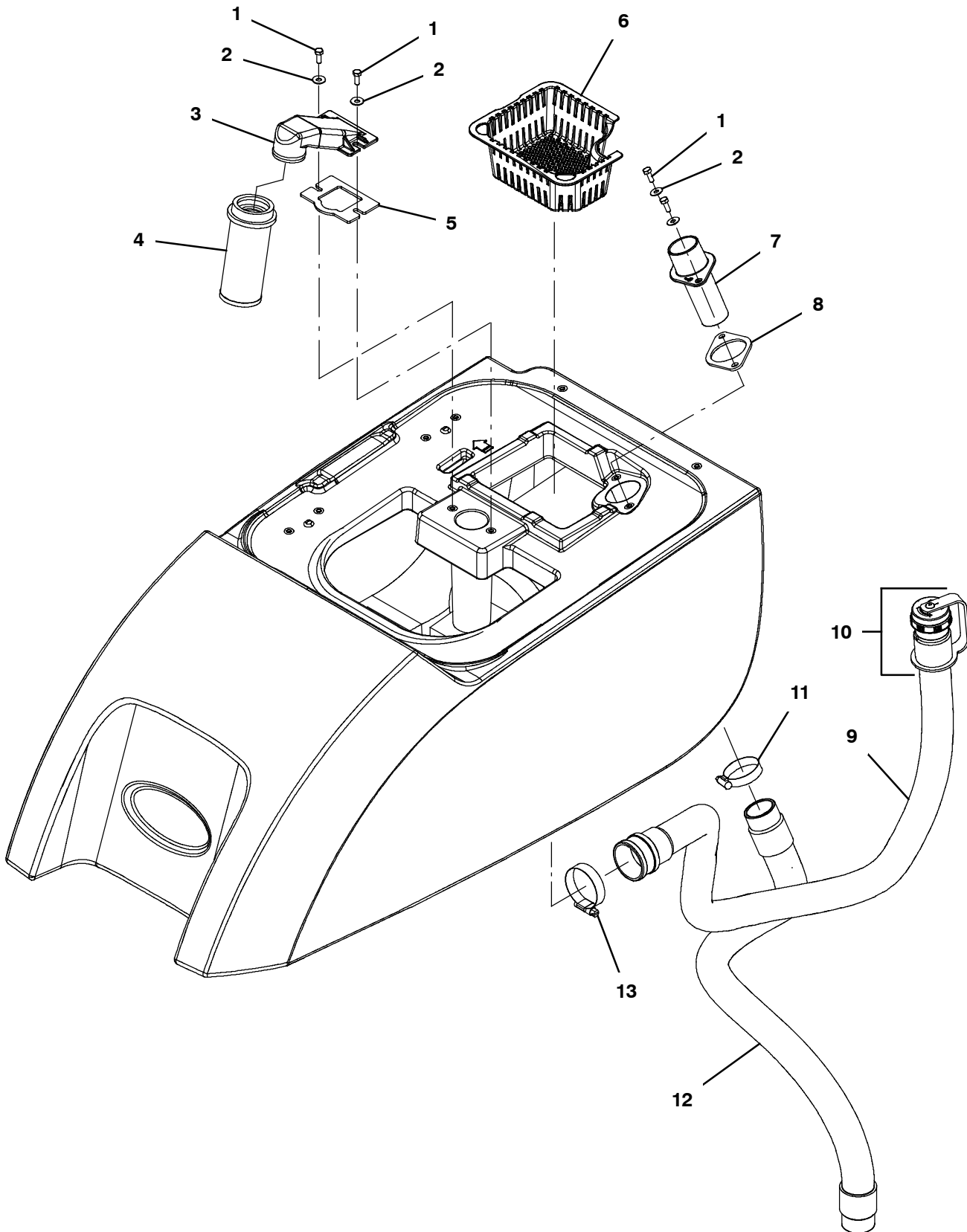
	Ref.	Part No.	Serial Number	Description	Qty.
▽	1	9015750	(10000000- 20000000 )	Kit, Cover, Recvy, Ci [Na,T500]	1
▲	2	9015756	(10000000- 20000000 )	Seal, Cover, Recvy, Ci [T500]	1
	3	1219333	(10000000- 20000000 )	Support, Lid, Recvy Tank	1
	4	1034731	(10000000- 20000000 )	Screw, Hex, M6 X 1.00 X 16, Sems, Ss	12
	5	1046631	(10000000- 20000000 )	Knob, Rnd, 19.4d 7.6l M6 X 20, Plstc, PI	2
	6	1223499	(10000000- 20000000 )	Shield, Spray, Recvy Tank	1
	7	11329	(10000000- 20000000 )	Screw, Hex, M6 X 1.00 X 16, NI, Ss	3
	8	01684	(10000000- 20000000 )	Washer, Flat, 0.27b 0.69d .05, Ss	3
	9	1207368	(10000000- 20000000 )	Mount, Vacfan, 5.7/6.6	1
	10	1062016	(10000000- 20000000 )	Isolator, Vib, .75d	3
▽	11	1226905	(10000000- 20000000 )	Fan, Vacuum, 6.6d, 024vdc, 2 Stage (Canada Also Requires Qty 1 Ferrite #1065665)	1
▲		1206774	(10000000- 20000000 )	Vr, Brush Kit, Motor, Fan	1
	12	1068577	(10000000- 20000000 )	Muffler, Exhaust, Vacfan, 150mml [T2/T3]	1
	13	100038	(10000000- 20000000 )	Gasket, .50, 02.63id 05.75od, Adh [Epdm]	1
	14	1217669	(10000000- 20000000 )	Hinge Assy, 7.0 Pin, 11 Ga, 100l X 105w	2
	15	9015757	(10000000- 20000000 )	Seal, Tank, Recvy, Ci [T500/T500e]	1
	16	9015760	(10000000- 20000000 )	Kit, Tank, Recvy, Ci [T500]	1
	17	1219334	(10000000- 20000000 )	Hinge, 4mm Pin, 2.0thk X 83.0mmw, 3 Leaf	2
	18	1210807	(10000000- 20000000 )	Wire, Tie [W/.25" Fir Tree Clip]	1
	19	1065665	(10000000- 20000000 )	Inductor, 32.3mml [Ferrite 10- 250mhz] (Canada Only)	1

▽ ASSEMBLY

▲ INCLUDED IN ASSEMBLY

RECOVERY TANK FILTER AND HOSE GROUP, STANDARD SCREW CAP

355416



RECOVERY TANK FILTER AND HOSE GROUP, STANDARD SCREW CAP

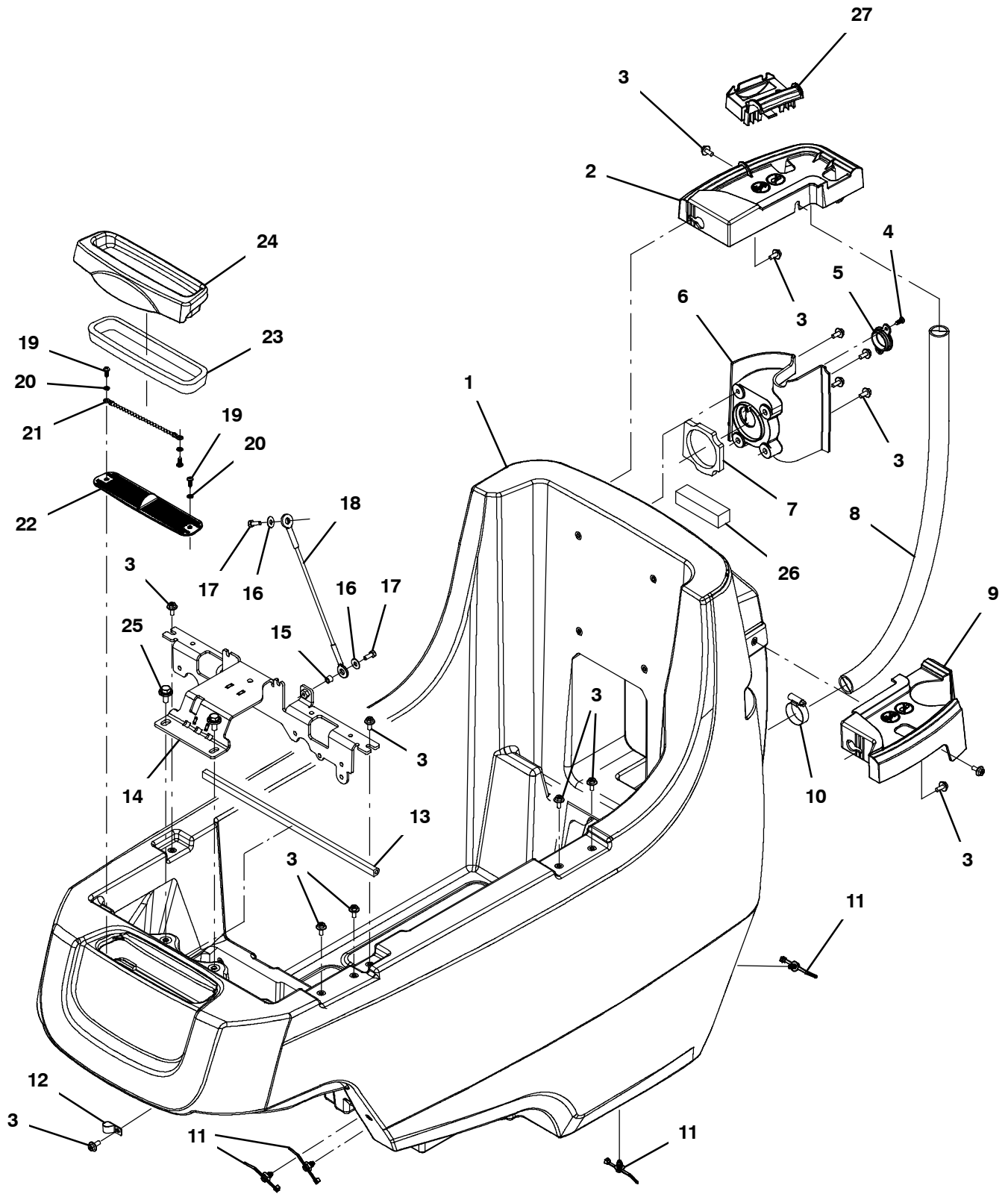
Ref.	Part No.	Serial Number	Description	Qty.
1	11329	(10000000- 20000000 )	Screw, Hex, M6 X 1.00 X 16, NI, Ss	2
2	01684	(10000000- 20000000 )	Washer, Flat, 0.27b 0.69d .05, Ss	2
3	1011777	(10000000- 20000000 )	Mount, Float, Mold	1
4	630052	(10000000- 20000000 )	Float, Shut- Off, (2)Ball, 1.75d	1
5	1013628	(10000000- 20000000 )	Gasket, Mtg, Float, .125th, Neo, Adh	1
6	1207357	(10000000- 20000000 )	Tray, Debris, Tank, Recvy [T300]	1
7	1219618	(10000000- 20000000 )	Tube, Hose, Adapter, 1.5d [T500]	1
8	1037106	(10000000- 20000000 )	Gasket, Adapter, Hose .13, Neo	1
∇	9	1250482	(10984821- 20000000 ) Hose Assy, Drain, 1.5id X 15.5l [Pvc] (Black - Standard)	1
▲∇	10	1218955	(10000000- 20000000 ) Cap, Drain Assy [Black]	1
▲▲		1008637	(10000000- 20000000 ) Seal, Org, 1.48id 1.76od	1
∇	9	1225793	(10000000- 10984820 ) Hose Assy, Drain, 1.5d 016l 1.5/Cap[Pvc] (Black - Std) (Replaced By 1250482)	1
▲∇	10	1218955	(10000000- 20000000 ) Cap, Drain Assy [Black]	1
▲▲		1008637	(10000000- 20000000 ) Seal, Org, 1.48id 1.76od	1
	11	11531	(10000000- 20000000 ) Clamp, Hose, Wormdrive, 1.06- 2.00d, .56w	1
	12	1211220	(10000000- 20000000 ) Hose Assy,W/2cuff,1.5d 022l 1.5/1.5[Pvc] (Black - Std)	1
	12	1224414	(10000000- 10984820 ) Hose Assy, W/2cuff,1.5d 033l 1.5/1.5[Pu] (Gray - Option) (NLA - Replaced By Black PVC Hose 1211220)	1
13	22297	(10000000- 20000000 )	Clamp, Hose, Wormdrive, 1.56- 2.50d, .50w	1

∇ ASSEMBLY

▲ INCLUDED IN ASSEMBLY

SOLUTION TANK GROUP

355414

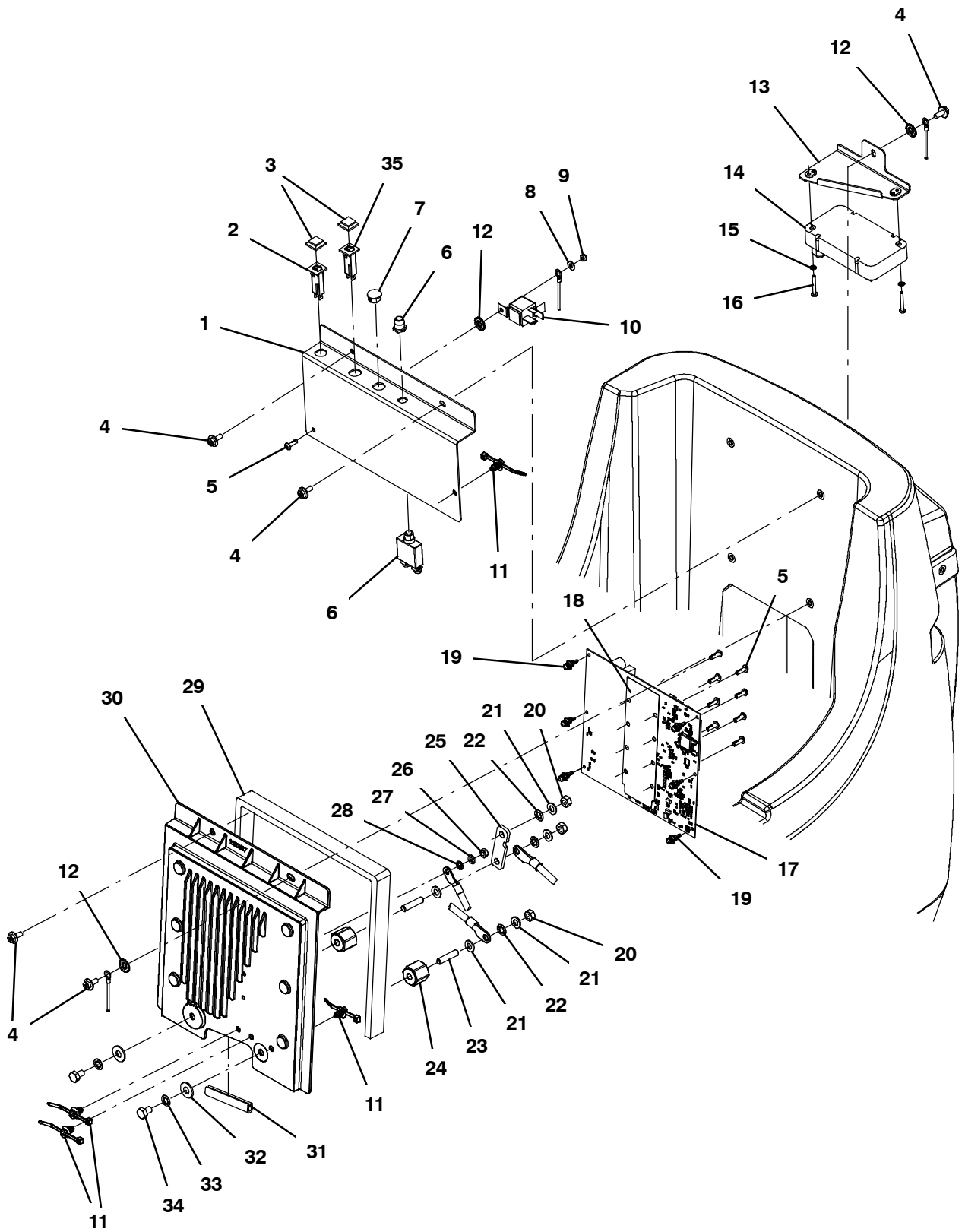


## SOLUTION TANK GROUP

Ref.	Part No.	Serial Number	Description	Qty.
1	9018023	(10000000- 20000000 )	Tank Kit, Soltn, Ci [T500]	1
2	1237555	(10895989- 20000000 )	Tray, Accssry, Rh, [T500]	1
2	1218444	(10000000- 10895988 )	Tray, Accssry, Rh, [Rhine] (Replaced By 1237555)	1
3	1034731	(10000000- 20000000 )	Screw, Hex, M6 X 1.00 X 16, Sems, Ss	15
4	1018155	(10000000- 20000000 )	Screw, Pan, Phl, M5 X 0.80 X 16, Tcut,Ss	1
5	1012965	(10000000- 20000000 )	Cap, Port, Soltn Fill	1
6	1225412	(10000000- 20000000 )	Cover, Standard- Fill	1
7	1220263	(10000000- 20000000 )	Seal, Bulk Head, Water	1
8	9015728	(10000000- 20000000 )	Hose Kit, Drain, Soln, Ci [T500/T500e]	1
9	1218443	(10000000- 20000000 )	Tray, Accssry, Lh, [Rhine]	1
10	11399	(10000000- 20000000 )	Clamp, Hose, Wormdrive, 0.81- 1.50d, .50w	1
11	1210807	(10000000- 20000000 )	Wire, Tie [W/.25" Fir Tree Clip]	4
12	140300	(10000000- 20000000 )	Clamp, Cable, Stl, 0.50d [Insulated]	1
13	1066431	(10000000- 20000000 )	Seal, Afmkt, Bulb, Dual, 03ft [F/.30gap]	1
14	1221012	(10000000- 20000000 )	Bracket Wldt, Actuator	1
15	140154	(10000000- 20000000 )	Sleeve, P/M, 0.25b 0.38d 0.3l, PI	1
16	01684	(10000000- 20000000 )	Washer, Flat, 0.27b 0.69d .05, Ss	2
17	11329	(10000000- 20000000 )	Screw, Hex, M6 X 1.00 X 16, NI, Ss	2
18	1221803	(10000000- 20000000 )	Cable, Glv .13d 10.5l .38eye /.38eye	1
19	1018155	(10000000- 20000000 )	Screw, Pan, Phl, M5 X 0.80 X 16, Tcut,Ss	3
20	07514	(10000000- 20000000 )	Washer, Lock, Int, 10, Ss	3
21	621443	(10000000- 20000000 )	Chain, Ball, 10, 0157mml, Ss	1
22	1219917	(10000000- 20000000 )	Screen, Fltr, 2.0 X 8.7	1
23	9015758	(10000000- 20000000 )	Seal, Tank, Soltn, Ci [T500/T500e]	1
24	1218043	(10000000- 20000000 )	Cover, Fill, Front	1
24	9015759	(10000000- 20000000 )	Kit, Cover, Fill [T500/T500e] (ec- H2O Models)	1
25	1020341	(10000000- 20000000 )	Screw, Hex, M8 X 1.25 X 20, Ss, Sems	2
26	1229734	(10000000- 20000000 )	Seal, Neo, 0.88, 1.00w 3.6l Adh	1
27	1214292	(10000000- 20000000 )	Bracket, Hanger, Rail, Lrg (Option)	1

STANDARD ELECTRICAL GROUP

355442



## STANDARD ELECTRICAL GROUP

Ref.	Part No.	Serial Number	Description	Qty.	
1	1218761	(10000000- 20000000 )	Bracket, Mtg [Circuitbreakers- T500]	1	
2	1208816	(10000000- 20000000 )	Circuitbreaker, 04.0a, Resetable	1	
3	1064191	(10000000- 20000000 )	Boot, Circuitbreaker	2	
4	1034731	(10000000- 20000000 )	Screw, Hex, M6 X 1.00 X 16, Sems, Ss	5	
5	1205799	(10000000- 20000000 )	Screw, Btn, M5 X 0.8 X 16, 8.8, NI, Torx	9	
6	383729	(10000000- 20000000 )	Circuitbreaker, 60.0a	1	
7	1058340	(10000000- 20000000 )	Plug, Hole, Rnd, 0.63h 0.1l, Blk (Models without Spray Wand Option)	1	
8	01683	(10000000- 20000000 )	Washer, Flat, 10, Ss	1	
9	09739	(10000000- 20000000 )	Nut, Hex, Lock, M5 X 0.80, NI, Ss	1	
10	1228510	(10000000- 20000000 )	Relay, 24vdc, 80a, Spst No, Plug- In	1	
11	1210807	(10000000- 20000000 )	Wire, Tie [W/.25" Fir Tree Clip]	4	
12	41140	(10000000- 20000000 )	Washer, Lock, Int- Ext, 0.25	3	
13	1223824	(10000000- 20000000 )	Bracket Wldt, Mtg, Cntrl, [T300/T300e]	1	
14	9015776*	(10000000- 20000000 )	Drive Module Kit, Ci	1	
15	02938	(10000000- 20000000 )	Washer, Lock, Int, 08, Ss	2	
16	33931	(10000000- 20000000 )	Screw, Pan, Phl, M4 X 0.70 X 30, Ss	2	
▽	17	9015784	(10000000- 20000000 )	Kit, Control Board, Ci [T500]	1
▲		27964	(10000000- 20000000 )	Strap, Ground, Static, Disposable	1
▲		1071235	(10000000- 20000000 )	Cable [Usb, 2m, A- Male To Mini- B- Male]	1
18	1220930	(10000000- 20000000 )	Circuitboard, Silpad [T500, Main Scrub]	1	
19	1209448	(10000000- 20000000 )	Standoff, Circuitboard, .25	1	
20	41361	(10000000- 20000000 )	Nut, Hex, Std, M8 X 1.25, Brs	6	
21	1209373	(10000000- 20000000 )	Washer, Flat, M8.4b X 16d X 1.6, Brs	3	
22	43952	(10000000- 20000000 )	Washer, Lock, Int, 0.31, Ss	5	
23	607461	(10000000- 20000000 )	Screw, Set, M8 X 1.25 X 35, NI	3	
24	1205345	(10000000- 20000000 )	Stand- Off, Wir, M8, Insulator, Panel	2	
25	1212780	(10000000- 20000000 )	Busbar, 125a 0.188 0.750w 2.638l	2	
26	1061910	(10000000- 20000000 )	Nut, Hex, Std, M6 X 1.00, Brs	1	
27	1061918	(10000000- 20000000 )	Washer, Flat, 0.25b 0.47d .06, Brs	1	
28	07515	(10000000- 20000000 )	Washer, Lock, Int, 0.25, Ss	1	
29	1219045	(10000000- 20000000 )	Gasket, Cover, Circuitboard	1	
30	1234401	(10000000- 20000000 )	Heatsink, Mtg, Circuitboard, Machined	1	
31	1020174	(10000000- 20000000 )	Molding, Afmkt, Trim, Pvc, .08 .11, 03ft	1	
32	01685	(10000000- 20000000 )	Washer, Flat, 0.38b 0.88d .08, Ss	2	
33	32984	(10000000- 20000000 )	Washer, Lock, Int, 0.31	2	
34	386868	(10000000- 20000000 )	Screw, Hex, M8 X 1.25 X 12, Ss	2	
35	1064187	(10000000- 20000000 )	Circuitbreaker, 10.0a, Resetable	1	

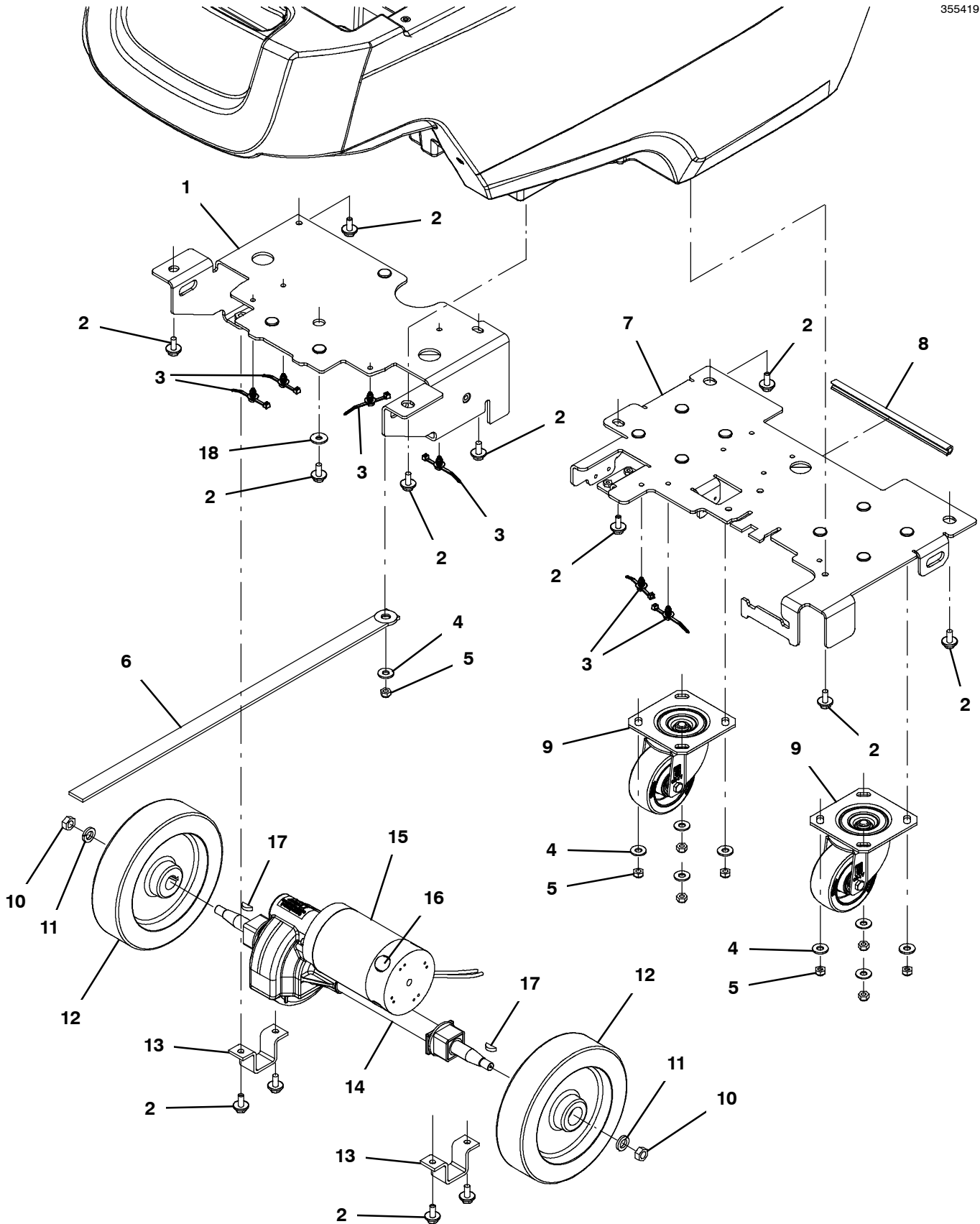
\* Requires Tennant *True* service or an authorized Tennant service provider.

▽ ASSEMBLY

▲ INCLUDED IN ASSEMBLY

FRAME AND DRIVE GROUP

355419



## FRAME AND DRIVE GROUP

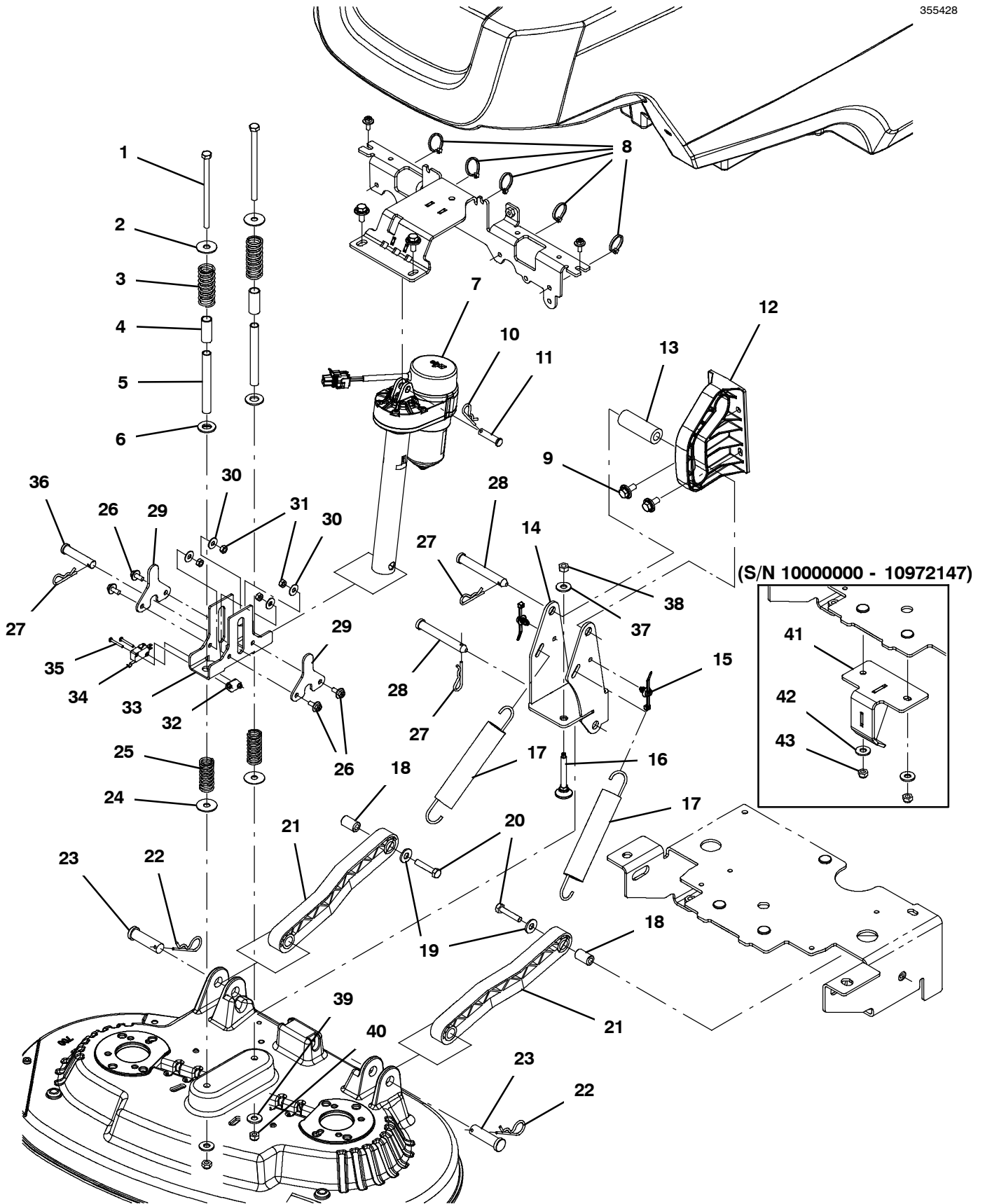
Ref.	Part No.	Serial Number	Description	Qty.
1	1219118	(10000000- 20000000 )	Frame Wldt, Front [T500]	1
2	1020341	(10000000- 20000000 )	Screw, Hex, M8 X 1.25 X 20, Ss, Sems	13
3	1210807	(10000000- 20000000 )	Wire, Tie [W/.25" Fir Tree Clip]	6
4	01685	(10000000- 20000000 )	Washer, Flat, 0.38b 0.88d .08, Ss	9
5	08713	(10000000- 20000000 )	Nut, Hex, Lock, M8 X 1.25, NI, Ss	9
6	71579	(10000000- 20000000 )	Strap, Static, W/Grommet, .19 1.1w 25.0l	1
7	1219137	(10000000- 20000000 )	Frame Wldt, Rear [T500]	1
8	1020168	(10000000- 20000000 )	Molding, Afmkt, Trim, Pvc, .08 .11, 01ft	1
9	1212422	(10000000- 20000000 )	Caster, Swivel [Wicke 224051]	2
10	09741	(10000000- 20000000 )	Nut, Hex, Lock, M12 X 1.75, NI, Ss	2
11	140058	(10000000- 20000000 )	Washer, Flat, 0.54b 0.88d .06, Ss [Wand]	2
▽	9004909	(10000000- 20000000 )	Wheel Kit, Solid, Ci [T5 T5e Ss5]	1
▲	12 1223583	(10000000- 20000000 )	Wheel, Scrbr, 213mm, W/ Taper	2
	13 606001	(10000000- 20000000 )	Bracket, Mtg, Transaxle, PI [1510, T5]	2
▽	14 1220970	(10000000- 20000000 )	Transaxle, Ele, 24vdc, 107rpm [Asi, 4]	1
▲	612874	(10000000- 20000000 )	Coupling, Transaxle, Replmt	1
▲	612880	(10000000- 20000000 )	Joint, Transaxle, Replmt	1
▲▽	15 1031723	(10000000- 20000000 )	Motor, Transaxle, 24vdc, Afmkt [T5]	1
▲▲	16 614166	(10000000- 20000000 )	Brush Kit, Carbon, Transaxle, Replmt [4]	1
▲	17 1021167	(10000000- 20000000 )	Key, Woodruff, 5mm	2
	18 39890	(10000000- 20000000 )	Washer, Flat, M8, Fendr	1

▽ ASSEMBLY

▲ INCLUDED IN ASSEMBLY

HEAD LIFT GROUP, DISK

355428

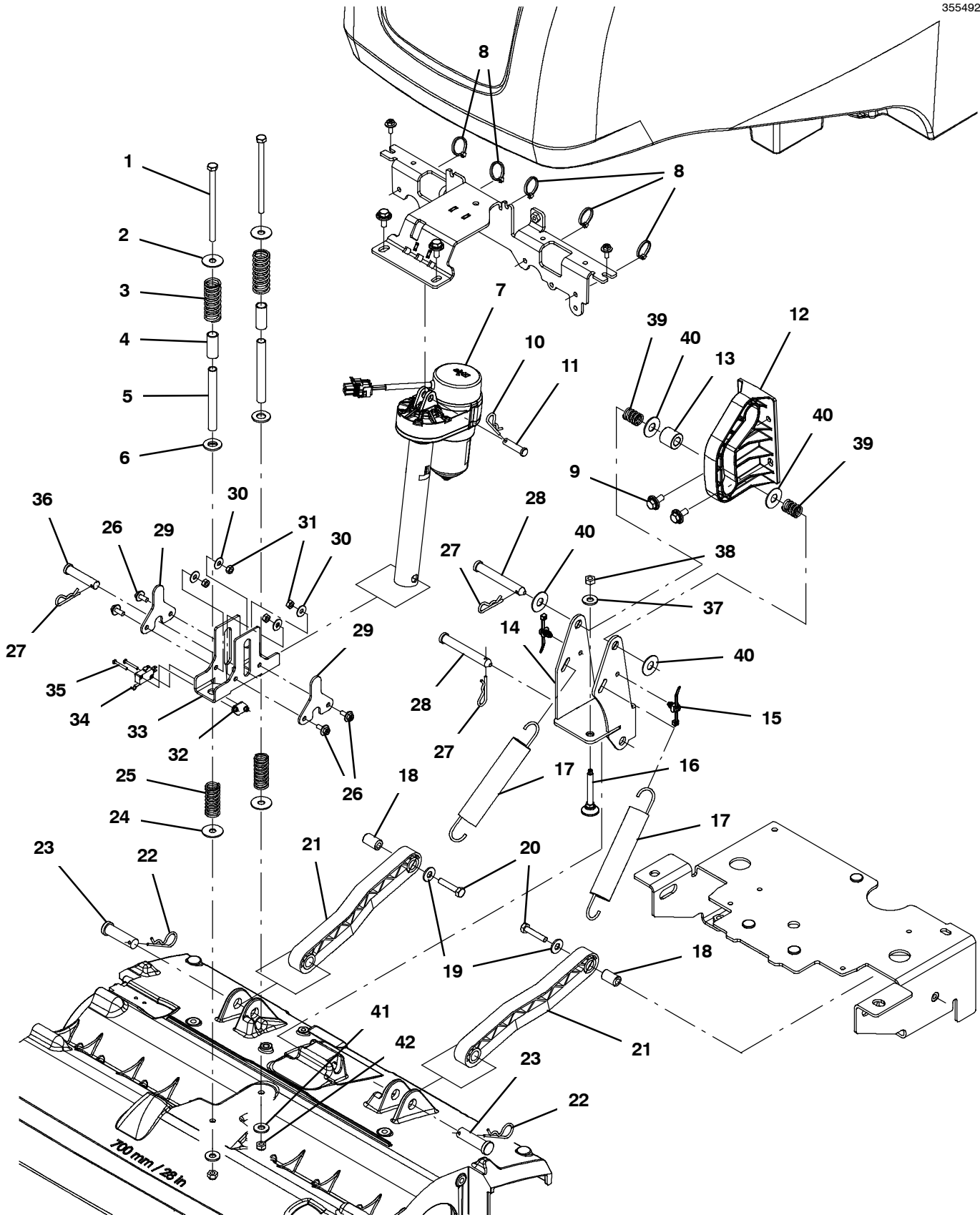


## HEAD LIFT GROUP, DISK

Ref.	Part No.	Serial Number	Description	Qty.
1	387431	(10000000- 20000000 )	Screw, Hex, M8 X 1.25 X 130, Ss	2
2	32662	(10000000- 20000000 )	Washer, Flat, 0.38b 1.22d .06, Ss	2
3	45261	(10000000- 20000000 )	Spring, Cmpr, 0.97od .11wir 02.5l	2
4	1224334	(10000000- 20000000 )	Sleeve, P/M, 0.51b 0.63d 1.5l, PI	2
5	1219491	(10000000- 20000000 )	Sleeve, 0.40id .50d 4.25l, Ss	2
6	32486	(10000000- 20000000 )	Washer, Flat, 0.53b 1.06d .10, Stl, PI	2
7	1221206	(10000000- 20000000 )	Actuator, 24vdc, 07.0strk, 0600lb	1
8	49263	(10000000- 20000000 )	Tie, Cable, Nyl, 11.4l .19w 3.0 Max D	5
9	1020341	(10000000- 20000000 )	Screw, Hex, M8 X 1.25 X 20, Ss, Sems	4
10	140626	(10000000- 20000000 )	Pin, Cotter, Hair, 0.25d .125 Wir	1
11	29558	(10000000- 20000000 )	Pin, Clevis, 0.37d X 1.50l	1
12	1219912	(10000000- 20000000 )	Bracket, Guide, Head[T500]	1
13	1220305	(10000000- 20000000 )	Tube, Plstc, 0.51id 0.98od 02.8l	1
14	1221507	(10000000- 20000000 )	Pivot Wldt, Head, Scrub [T500]	1
15	1210807	(10000000- 20000000 )	Wire, Tie [W/.25" Fir Tree Clip]	2
16	1227530	(10000000- 20000000 )	Screw, Leveler, M8x75	1
17	222363	(10000000- 20000000 )	Spring, Extn, 1.23od 0.15wir 06.5l	2
18	606056	(10000000- 20000000 )	Tube, 0.32id 0.62od 01.0l, Stl, PI	2
19	01685	(10000000- 20000000 )	Washer, Flat, 0.38b 0.88d .08, Ss	2
20	74440	(10000000- 20000000 )	Screw, Hex, M8 X 1.25 X 40, NI, Ss	2
21	222027	(10000000- 20000000 )	Arm, Lift, Head	2
22	02942	(10000000- 20000000 )	Pin, Hair, Cotter, 0.62d .120 Wir	2
23	222210	(10000000- 20000000 )	Pin, Clevis, 0.62d X 2.12l	2
24	32662	(10000000- 20000000 )	Washer, Flat, 0.38b 1.22d .06, Ss	2
25	63185	(10000000- 20000000 )	Spring, Cmpr, 0.85od .09wir 02.0l	2
26	1034731	(10000000- 20000000 )	Screw, Hex, M6 X 1.00 X 16, Sems, Ss	4
27	140626	(10000000- 20000000 )	Pin, Cotter, Hair, 0.25d .125 Wir	3
28	374225	(10000000- 20000000 )	Pin, Clevis, 0.50d X 3.75l	2
29	1225719	(10000000- 20000000 )	Bracket, Pin Holder	2
30	01684	(10000000- 20000000 )	Washer, Flat, 0.27b 0.69d .05, Ss	4
31	07785	(10000000- 20000000 )	Nut, Hex, Std, M6 X 1.00, Ss	4
32	1013705	(10000000- 20000000 )	Plate, Thread, Switch, M3 Nut, 96hr PI	1
33	1224191	(10000000- 20000000 )	Bracket, Spring, Suspension, Head	1
34	1215716	(10000000- 20000000 )	Switch, 0.1a, Spdt[Micro, Gold Contacts]	1
35	33933	(10000000- 20000000 )	Screw, Pan, Phl, M3 X 0.50 X 25, Ss	2
36	11211	(10000000- 20000000 )	Pin, Clevis, 0.50d X 2.25l	1
37	01685	(10000000- 20000000 )	Washer, Flat, 0.38b 0.88d .08, Ss	1
38	07786	(10000000- 20000000 )	Nut, Hex, Std, M8 X 1.25, Ss	1
39	01685	(10000000- 20000000 )	Washer, Flat, 0.38b 0.88d .08, Ss	2
40	08713	(10000000- 20000000 )	Nut, Hex, Lock, M8 X 1.25, NI, Ss	2
41	1222374	(10000000- 10972147 )	Frame Wldt, Hardstop [T500] (No Longer Available)	1
42	01685	(10000000- 10972147 )	Washer, Flat, 0.38b 0.88d .08, Ss	2
43	08713	(10000000- 10972147 )	Nut, Hex, Lock, M8 X 1.25, NI, Ss	2

HEAD LIFT GROUP, CYLINDRICAL

355492

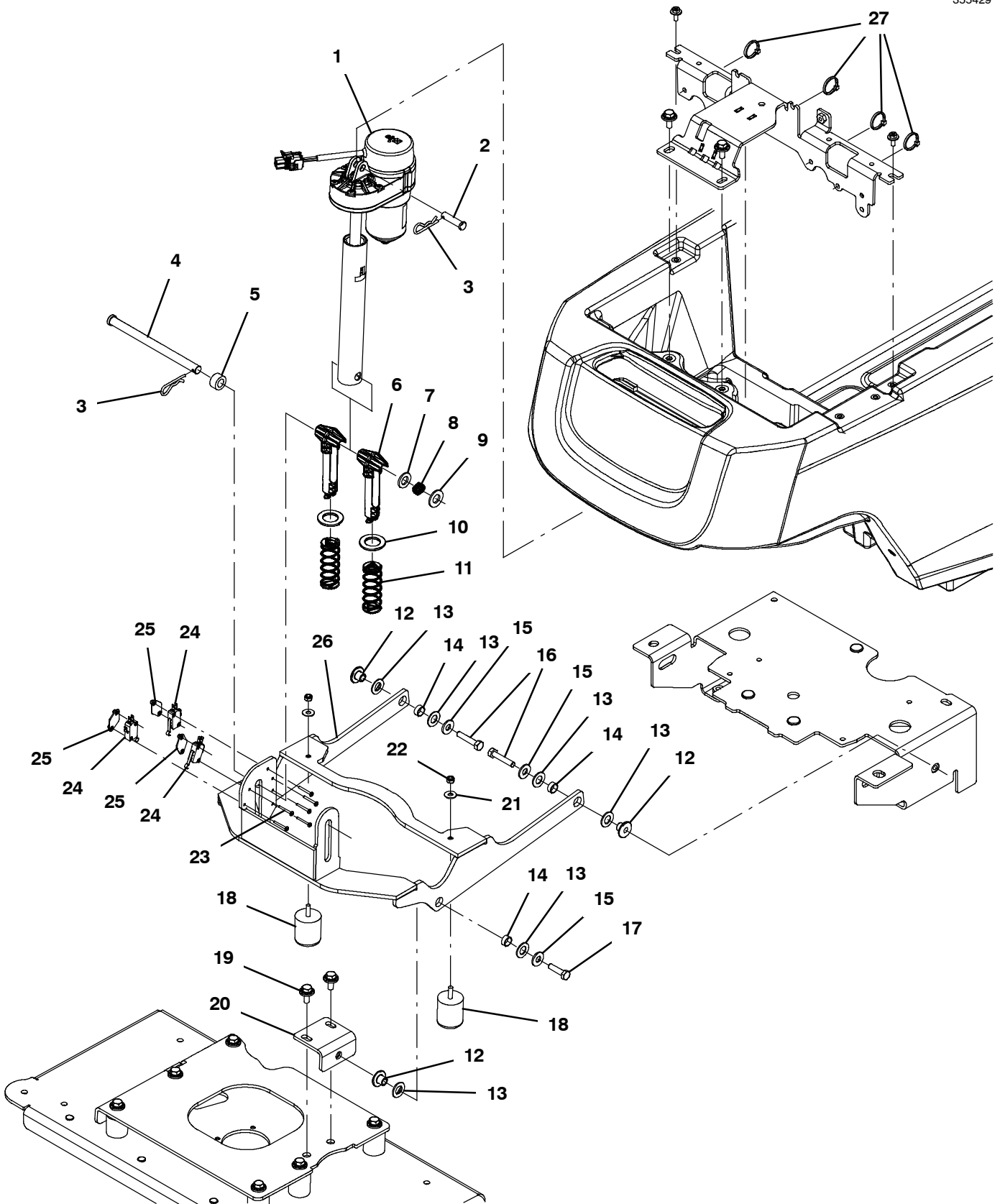


## HEAD LIFT GROUP, CYLINDRICAL

Ref.	Part No.	Serial Number	Description	Qty.
1	387431	(10000000- 20000000 )	Screw, Hex, M8 X 1.25 X 130, Ss	2
2	32662	(10000000- 20000000 )	Washer, Flat, 0.38b 1.22d .06, Ss	2
3	45261	(10000000- 20000000 )	Spring, Cmpr, 0.97od .11wir 02.5l	2
4	1224334	(10000000- 20000000 )	Sleeve, P/M, 0.51b 0.63d 1.5l, PI	2
5	1219491	(10000000- 20000000 )	Sleeve, 0.40id .50d 4.25l, Ss	2
6	32486	(10000000- 20000000 )	Washer, Flat, 0.53b 1.06d .10, Stl, PI	2
7	1221206	(10000000- 20000000 )	Actuator, 24vdc, 07.0strk, 0600lb	1
8	49263	(10000000- 20000000 )	Tie, Cable, Nyl, 11.4l .19w 3.0 Max D	5
9	1020341	(10000000- 20000000 )	Screw, Hex, M8 X 1.25 X 20, Ss, Sems	4
10	140626	(10000000- 20000000 )	Pin, Cotter, Hair, 0.25d .125 Wir	1
11	29558	(10000000- 20000000 )	Pin, Clevis, 0.37d X 1.50l	1
12	1219912	(10000000- 20000000 )	Bracket, Guide, Head[T500]	1
13	1014020	(10000000- 20000000 )	Roller, 0.99d 0.50b 0.95l, Acetal	1
14	1221507	(10000000- 20000000 )	Pivot Wldt, Head, Scrub [T500]	1
15	1210807	(10000000- 20000000 )	Wire, Tie [W/.25" Fir Tree Clip]	2
16	1227530	(10000000- 20000000 )	Screw, Leveler, M8x75	1
17	222363	(10000000- 20000000 )	Spring, Extn, 1.23od 0.15wir 06.5l	2
18	606056	(10000000- 20000000 )	Tube, 0.32id 0.62od 01.0l, Stl, PI	2
19	01685	(10000000- 20000000 )	Washer, Flat, 0.38b 0.88d .08, Ss	2
20	74440	(10000000- 20000000 )	Screw, Hex, M8 X 1.25 X 40, NI, Ss	2
21	222027	(10000000- 20000000 )	Arm, Lift, Head	2
22	02942	(10000000- 20000000 )	Pin, Hair, Cotter, 0.62d .120 Wir	2
23	222210	(10000000- 20000000 )	Pin, Clevis, 0.62d X 2.12l	2
24	32662	(10000000- 20000000 )	Washer, Flat, 0.38b 1.22d .06, Ss	2
25	63185	(10000000- 20000000 )	Spring, Cmpr, 0.85od .09wir 02.0l	2
26	1034731	(10000000- 20000000 )	Screw, Hex, M6 X 1.00 X 16, Sems, Ss	4
27	140626	(10000000- 20000000 )	Pin, Cotter, Hair, 0.25d .125 Wir	3
28	374225	(10000000- 20000000 )	Pin, Clevis, 0.50d X 3.75l	2
29	1225719	(10000000- 20000000 )	Bracket, Pin Holder	2
30	01684	(10000000- 20000000 )	Washer, Flat, 0.27b 0.69d .05, Ss	4
31	07785	(10000000- 20000000 )	Nut, Hex, Std, M6 X 1.00, Ss	4
32	1013705	(10000000- 20000000 )	Plate, Thread, Switch, M3 Nut, 96hr PI	1
33	1224191	(10000000- 20000000 )	Bracket, Spring, Suspension, Head	1
34	1215716	(10000000- 20000000 )	Switch, 0.1a, Spdt[Micro, Gold Contacts]	1
35	33933	(10000000- 20000000 )	Screw, Pan, Phl, M3 X 0.50 X 25, Ss	2
36	11211	(10000000- 20000000 )	Pin, Clevis, 0.50d X 2.25l	1
37	01685	(10000000- 20000000 )	Washer, Flat, 0.38b 0.88d .08, Ss	1
38	07786	(10000000- 20000000 )	Nut, Hex, Std, M8 X 1.25, Ss	1
39	607920	(10000000- 20000000 )	Spring, Cmpr, 0.70od .10wir 01.0l, Mw	2
40	140045	(10000000- 20000000 )	Washer, Flat, 0.51b 1.25d .06, Ss	4
41	01685	(10000000- 20000000 )	Washer, Flat, 0.38b 0.88d .08, Ss	2
42	08713	(10000000- 20000000 )	Nut, Hex, Lock, M8 X 1.25, NI, Ss	2

HEAD LIFT GROUP, ORBITAL

355429

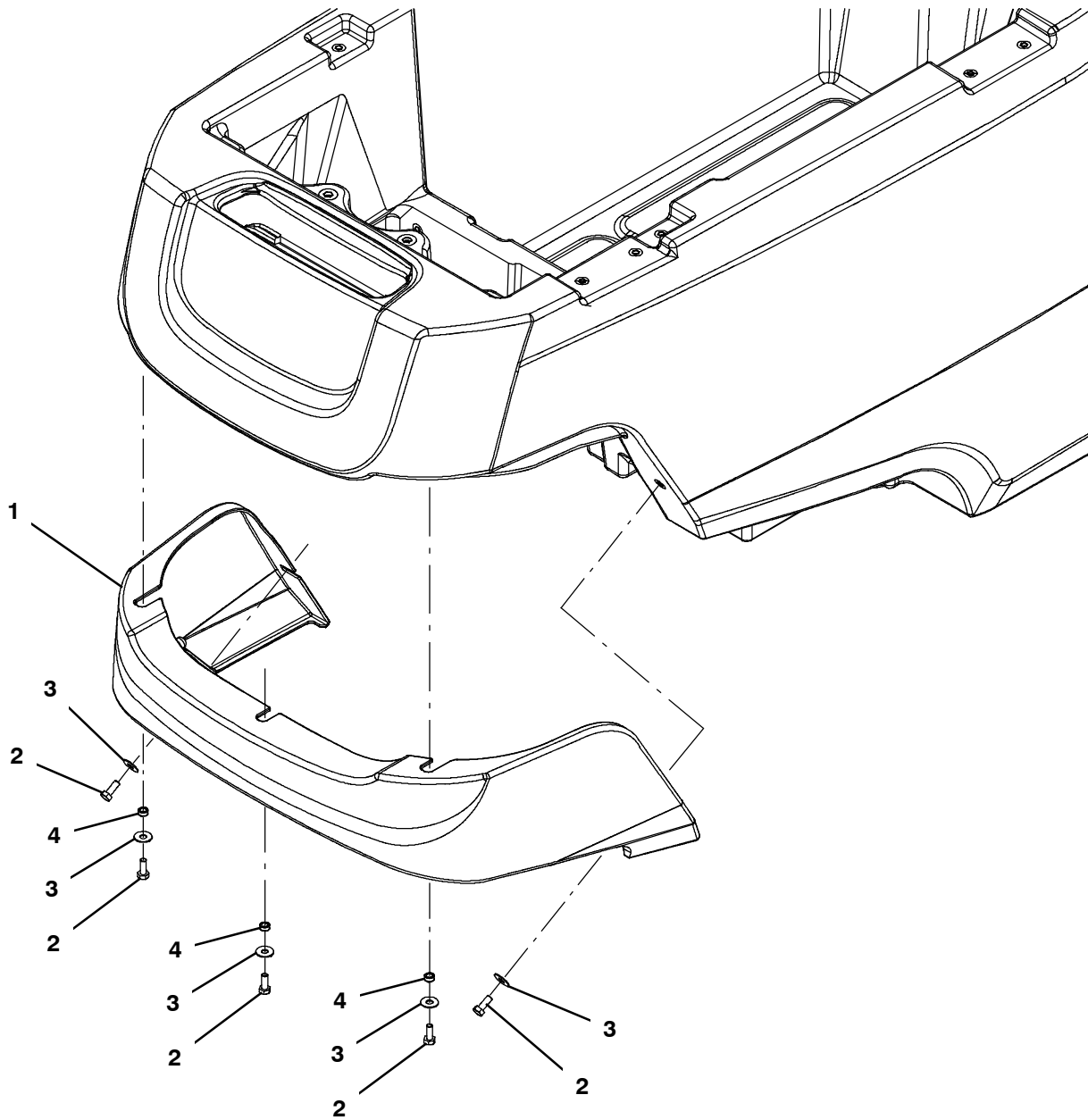


## HEAD LIFT GROUP, ORBITAL

Ref.	Part No.	Serial Number	Description	Qty.
1	1221206	(10000000- 20000000 )	Actuator, 24vdc, 07.0strk, 0600lb	1
2	29558	(10000000- 20000000 )	Pin, Clevis, 0.37d X 1.50l	1
3	140626	(10000000- 20000000 )	Pin, Cotter, Hair, 0.25d .125 Wir	1
4	1226754	(10000000- 20000000 )	Pin, Clevis, .50d X 7.00l	1
5	1226759	(10000000- 20000000 )	Spacer, .500 ld X .875 Od	1
6	1224233	(10000000- 20000000 )	Pin, Guide, Spring, Head	2
7	1013936	(10000000- 20000000 )	Washer, Flat, 0.51b 0.94d .10, Nyl	1
8	1226640	(10000000- 20000000 )	Spring, Wave, .512 ld X .709 Od X .375	1
9	32486	(10000000- 20000000 )	Washer, Flat, 0.53b 1.06d .10, Stl, PI	1
10	1225960	(10000000- 20000000 )	Washer, Thrust, 0.89b 1.50d 0.13w, Bnz	2
11	1227036	(10000000- 20000000 )	Spring, Cmpr, 1.10od .085wir 03.0l	2
12	1059990	(10000000- 20000000 )	Sleeve, Flng, 0.32b 1.00/0.50d 0.6l, Ss	3
13	608562	(10000000- 20000000 )	Washer, Flat, 0.51b 0.94d .06, Nyl	6
14	630188	(10000000- 20000000 )	Bearing, Journal, .50id X .25l	3
15	01685	(10000000- 20000000 )	Washer, Flat, 0.38b 0.88d .08, Ss	3
16	74440	(10000000- 20000000 )	Screw, Hex, M8 X 1.25 X 40, NI, Ss	2
17	1016399	(10000000- 20000000 )	Screw, Hex, M8 X 1.25 X 30, NI, Ss	1
18	1212543	(10000000- 20000000 )	Isolator, Neoprene, 1.25" X 1.25", M8	2
19	1020341	(10000000- 20000000 )	Screw, Hex, M8 X 1.25 X 20, Ss, Sems	2
20	1224295	(10000000- 20000000 )	Brkt Wldt, Lift	1
21	01685	(10000000- 20000000 )	Washer, Flat, 0.38b 0.88d .08, Ss	2
22	08713	(10000000- 20000000 )	Nut, Hex, Lock, M8 X 1.25, NI, Ss	2
23	33933	(10000000- 20000000 )	Screw, Pan, Phl, M3 X 0.50 X 25, Ss	6
24	1215716	(10000000- 20000000 )	Switch, 0.1a, Spdt[Micro, Gold Contacts]	3
25	1013705	(10000000- 20000000 )	Plate, Thread, Switch, M3 Nut, 96hr PI	3
26	1221043	(10000000- 20000000 )	Arm Wldt, Lift	1
27	49263	(10000000- 20000000 )	Tie, Cable, Nyl, 11.4l .19w 3.0 Max D	5

SHROUD GROUP, DISK AND ORBITAL

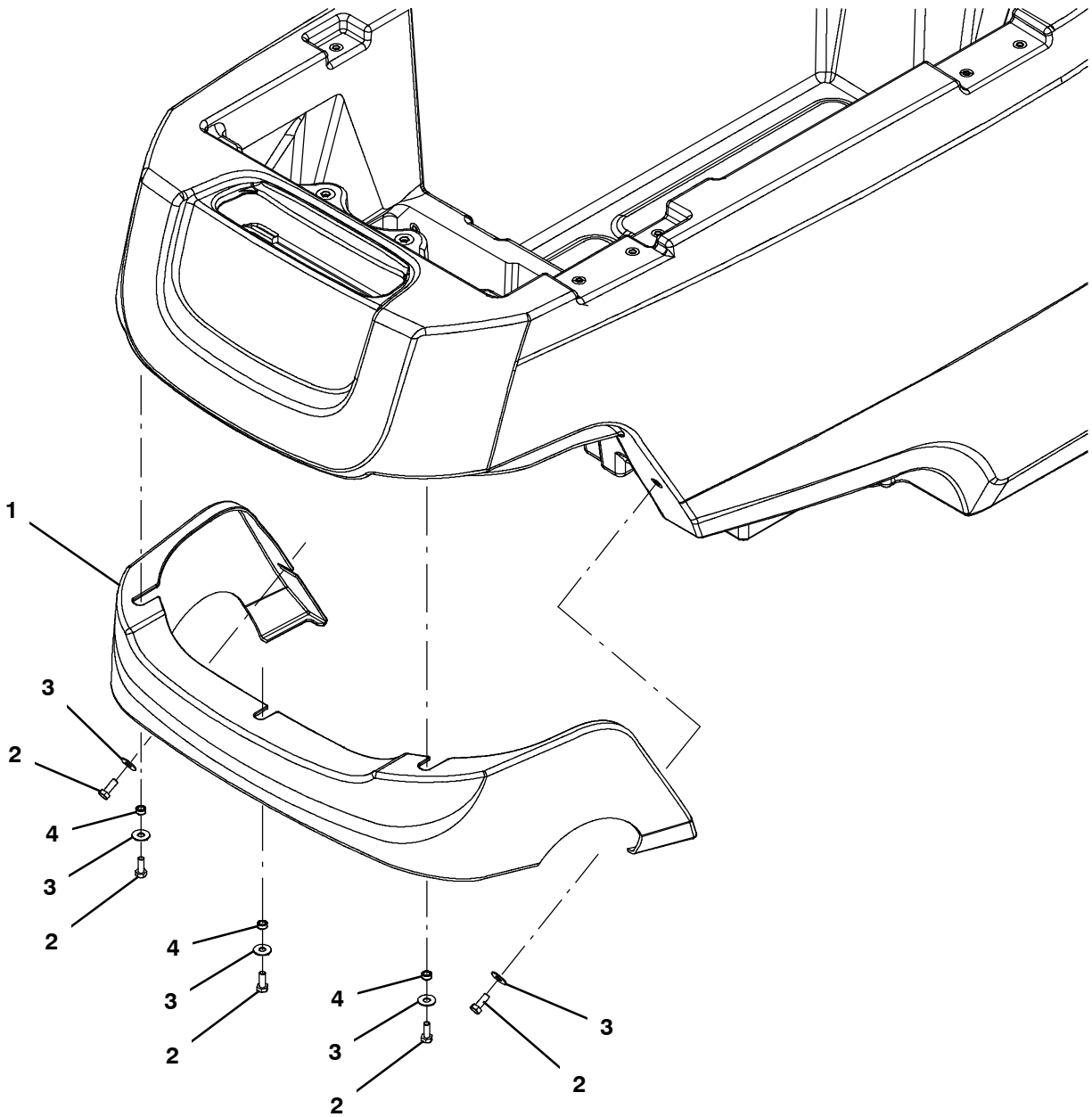
355417



Ref.	Part No.	Serial Number	Description	Qty.
1	1219723	(10000000-20000000 )	Cover, Head, Disc [T500]	1
2	11329	(10000000-20000000 )	Screw, Hex, M6 X 1.00 X 16, NI, Ss	5
3	01684	(10000000-20000000 )	Washer, Flat, 0.27b 0.69d .05, Ss	5
4	80491	(10000000-20000000 )	Sleeve, P/M, 0.25b 0.38d 0.2l [430ss]	3

SHROUD GROUP, CYLINDRICAL

355418



Ref.	Part No.	Serial Number	Description	Qty.
1	1219724	(10000000- 20000000 )	Cover, Head, Cylrcl [T500]	1
2	11329	(10000000- 20000000 )	Screw, Hex, M6 X 1.00 X 16, NI, Ss	5
3	01684	(10000000- 20000000 )	Washer, Flat, 0.27b 0.69d .05, Ss	5
4	80491	(10000000- 20000000 )	Sleeve, P/M, 0.25b 0.38d 0.2l [430ss]	3



## LOWER CONSOLE GROUP, ON-BOARD CHARGER

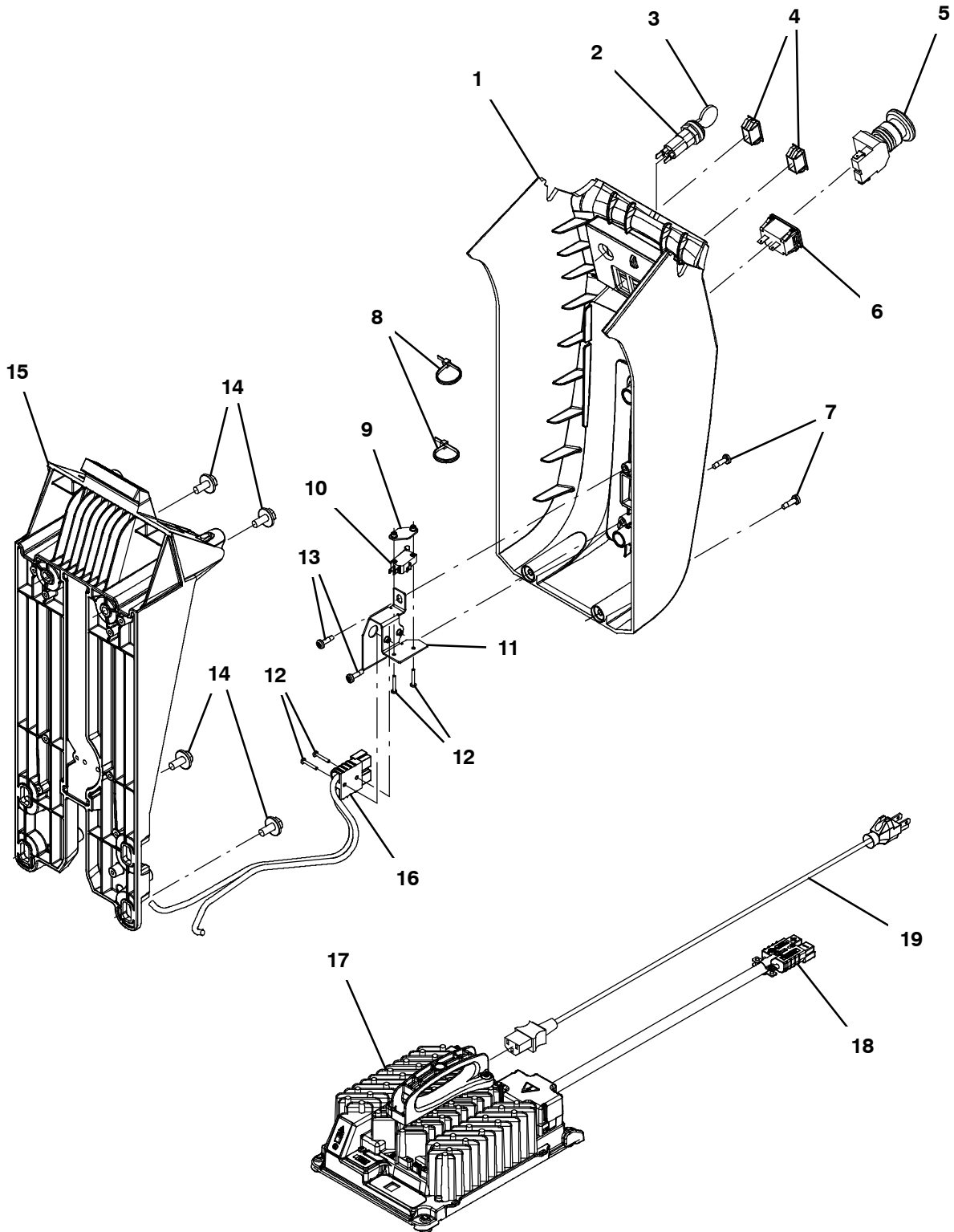
Ref.	Part No.	Serial Number	Description	Qty.
	1	1203802	(10000000- 20000000 ) Cover, Column, Cntrl	1
▽	2	1011402	(10000000- 20000000 ) Switch, Key	1
▲	3	1017696	(10000000- 20000000 ) Key Set, Replmt [F/ Keyswitch 1011402]	1
	4	582150	(10000000- 20000000 ) Plug, Hole, Rt, 1.23 X 1.12, Nyl	2
	5	1011735	(10000000- 20000000 ) Switch, Safety, Shutoff	1
	6	1064038	(10000000- 20000000 ) Gauge, Hourmeter, 05- 277 Volt, Ac / Dc	1
	7	1205496	(10000000- 20000000 ) Hook, Cord	2
	8	1043573	(10000000- 20000000 ) Screw, #10- 14 X 0.675, Spl[Shcs,Selftap]	9
	9	130773	(10000000- 20000000 ) Tie, Cable, Nyl, 11.0l, .14w, 3.0 Max. D	3
	10	1207290	(10000000- 20000000 ) Cover, Charger	1
	11	611311	(10982559- 20000000 ) Spring, Cmpr, 0.40od .05wir 00.5l, Pl,Mw	1
	11	611311	(10000000- 10982558 ) Spring, Cmpr, 0.40od .05wir 00.5l, Pl,Mw	2
	12	1024965	(10982559- 20000000 ) Bolt, Shld, 08mmd X 030mm, M06 X 1.0	1
	12	1024965	(10000000- 10982558 ) Bolt, Shld, 08mmd X 030mm, M06 X 1.0	2
▽	13	1250046	(10978950- 20000000 ) Charger, 24vdc 25a 100- 240vac [On- Board]	1
▽	13	1220856	(10000000- 10978949 ) Charger, 24vdc 25a 115- 240vac [On- Board] (Replaced By 1250046)	1
▲	14	605387	(10000000- 20000000 ) Connector, Anderson, 050a, Red [W/O Con]	1
	15	1025642	(10000000- 20000000 ) Cord, Power, 16/3, 15ft Blk [Us]	1
	15	1026330	(10000000- 20000000 ) Cord, Power, 1.0mm2 [2.5meter]	1
	15	1026325	(10000000- 20000000 ) Cord, Power, 1.0mm2/3 Blk[2.5meter, Aus]	1
	15	1048304	(10000000- 20000000 ) Cord, Power [4.5meter, India, S.Africa]	1
	16	1020341	(10000000- 20000000 ) Screw, Hex, M8 X 1.25 X 20, Ss, Sems	4
	17	1231373	(10000000- 20000000 ) Frame, Column, Cntrl [Im], T600	1
	18	378969	(10000000- 20000000 ) Clamp, Cable, Stl, 0.56d X 0.38w, 1hole	1
	19	1248098	(10982559- 20000000 ) Screw, Btn, Flng, M6 X 1.0 X 30, 10.9	1

▽ ASSEMBLY

▲ INCLUDED IN ASSEMBLY

LOWER CONSOLE GROUP, OFF-BOARD CHARGER

355445



## LOWER CONSOLE GROUP, OFF- BOARD CHARGER

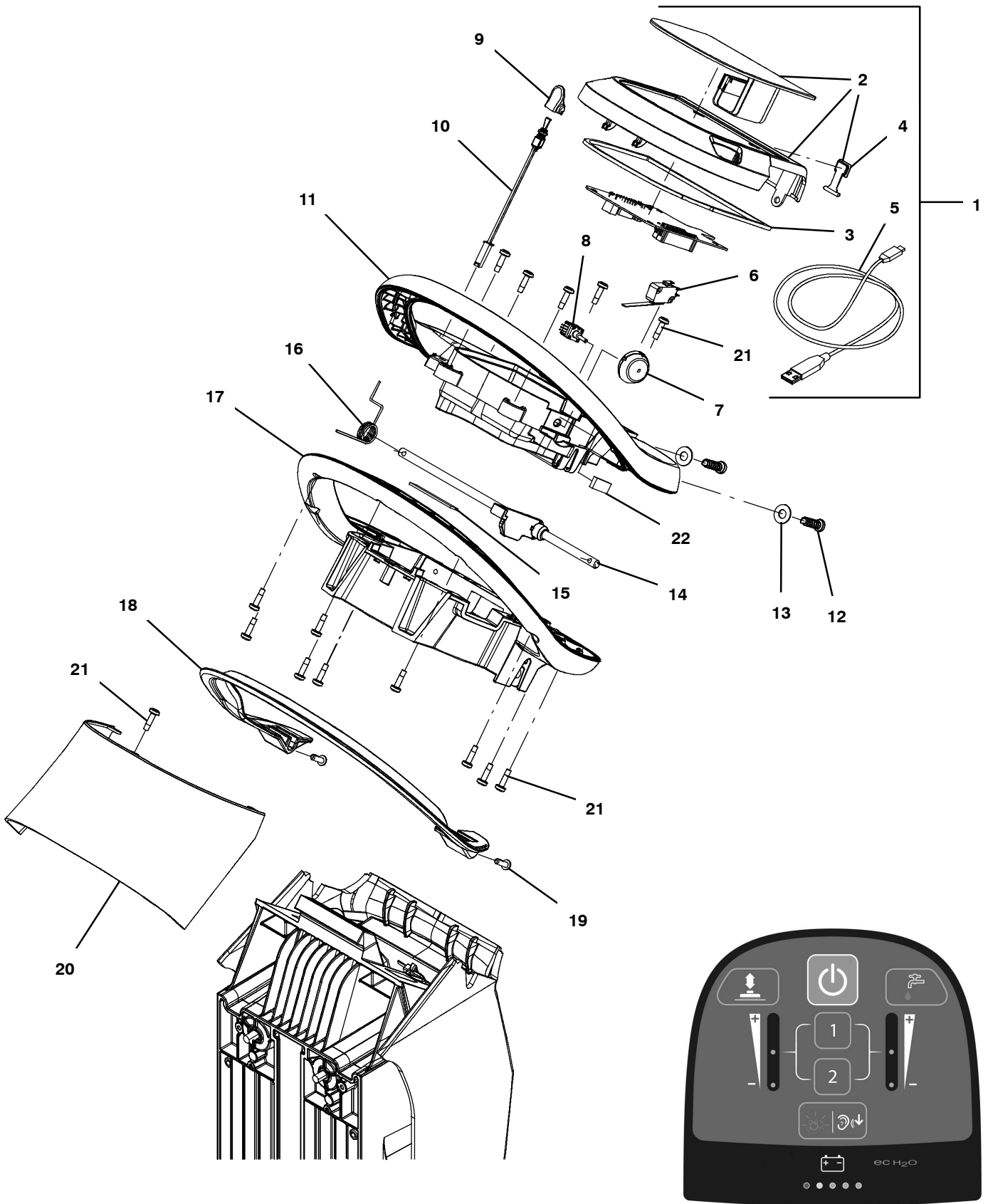
Ref.	Part No.	Serial Number	Description	Qty.
	1	1203802	(10000000- 20000000 ) Cover, Column, Cntrl	1
▽	2	1011402	(10000000- 20000000 ) Switch, Key	1
▲	3	1017696	(10000000- 20000000 ) Key Set, Replmt [F/ Keyswitch 1011402]	1
	4	582150	(10000000- 20000000 ) Plug, Hole, Rt, 1.23 X 1.12, Nyl	2
	5	1011735	(10000000- 20000000 ) Switch, Safety, Shutoff	1
	6	1064038	(10000000- 20000000 ) Gauge, Hourmeter, 05- 277 Volt, Ac / Dc	1
	7	1043573	(10000000- 20000000 ) Screw, #10- 14 X 0.675, Spl[Shcs,Selftap]	2
	8	130773	(10000000- 20000000 ) Tie, Cable, Nyl, 11.0l, .14w, 3.0 Max. D	2
	9	1013705	(10000000- 20000000 ) Plate, Thread, Switch, M3 Nut, 96hr PI	1
	10	1215716	(10000000- 20000000 ) Switch, 0.1a, Spdt[Micro, Gold Contacts]	1
	11	1208599	(10000000- 20000000 ) Bracket Assy, Plug, Charger	1
	12	06922	(10000000- 20000000 ) Screw, Pan, Phl, M3 X 0.50 X 20, 4.8	4
	13	1043573	(10000000- 20000000 ) Screw, #10- 14 X 0.675, Spl[Shcs,Selftap]	2
	14	1020341	(10000000- 20000000 ) Screw, Hex, M8 X 1.25 X 20, Ss, Sems	4
	15	1231373	(10000000- 20000000 ) Frame, Column, Cntrl [Im], T600	1
	16	605387	(10000000- 20000000 ) Connector, Anderson, 050a, Red [W/O Con]	1
▽	17	9015391	(10000000- 20000000 ) Charger Assy, Off- Board [T500/T500e]	1
▲	18	605387	(10000000- 20000000 ) Connector, Anderson, 050a, Red [W/O Con]	1
	19	1025642	(10000000- 20000000 ) Cord, Power, 16/3, 15ft Blk [Us]	1
	19	1026330	(10000000- 20000000 ) Cord, Power, 1.0mm2 [2.5meter]	1
	19	1026325	(10000000- 20000000 ) Cord, Power, 1.0mm2/3 Blk[2.5meter, Aus]	1
	19	1048304	(10000000- 20000000 ) Cord, Power [4.5meter, India, S.Africa]	1

▽ ASSEMBLY

▲ INCLUDED IN ASSEMBLY

CONSOLE HANDLE, PRO-MEMBRANE PANEL

355446



### CONSOLE HANDLE, PRO- MEMBRANE PANEL

Ref.	Part No.	Serial Number	Description	Qty.
▽	1	9015778*	(10000000- 20000000 ) Bezel Kit, Membrane [T500]	1
▲▽	2	9015779	(10000000- 20000000 ) Screen Kit [T500]	1
▲	3	1245824	(MAR2020- 20000000 ) Gasket, Console	1
▲▲	4	1205618	(10000000- 20000000 ) Cap, Usb	1
▲	5	1071235	(10000000- 20000000 ) Cable [Usb, 2m, A- Male To Mini- B- Male]	1
	6	1205323	(10000000- 20000000 ) Switch, 0.1a, Spdt [Micro, Straight]	1
	7	1234365	(10000000- 20000000 ) Dial, Range, Speed	1
	8	1246392	(10947727- 20000000 ) Potentiometer [100k, 1 Turn, B5/B7]	1
	8	1204930	(10000000- 10947726 ) Potentiometer [100k, 1 Turn, B5/B7] (Rpld by 1246392)	1
	9	1209730	(10000000- 20000000 ) Cap, Toggle, Direction	1
	10	1209673	(10000000- 20000000 ) Switch Assy, Toggle, Direction	1
	11	1203787	(10000000- 20000000 ) Housing, Handle, Cntrl, Top	2
	12	1215863	(10000000- 20000000 ) Screw, Pan, Torx, M8 X 3.5 X 25[Remform]	2
	13	140027	(10000000- 20000000 ) Washer, Flat, 0.35b 0.75d .04, Ss	3
	14	1205143	(10000000- 20000000 ) Shaft Assy, Bail, Handle	1
	15	1020280	(10000000- 20000000 ) Seal, Afmkt, Rbr, Clsd, Adh, 01ft	1
	16	1205781	(10000000- 20000000 ) Spring, Return, Bail	1
	17	1222608	(10000000- 20000000 ) Housing, Handle, Cntrl, Bottom, Slotted	1
	18	1205778	(10000000- 20000000 ) Handle, Bail [Machined]	1
	19	1205799	(10000000- 20000000 ) Screw, Btn, M5 X 0.8 X 16, 8.8, NI, Torx	2
	20	1207004	(10000000- 20000000 ) Cover, Handle, Cntrl	1
	21	1043573	(10000000- 20000000 ) Screw, #10- 14 X 0.675, Spl[Shcs,Selftap]	15
	22	1063909	(MAR2020- 20000000 ) Seal, Afmkt, Rbr, Clsd, Adh, 01ft	1

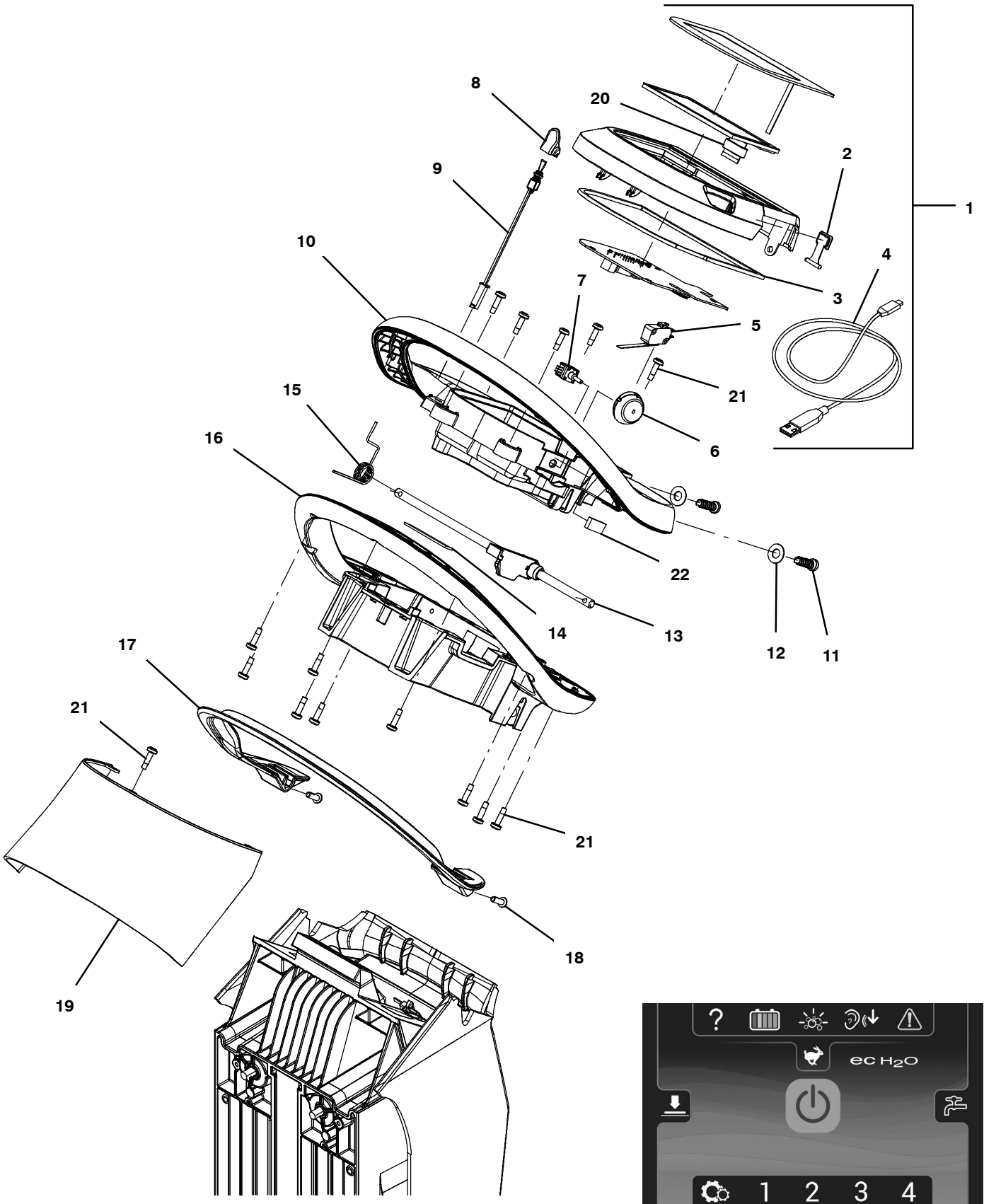
\* Requires Tennant *True* service or an authorized Tennant service provider.

▽ ASSEMBLY

▲ INCLUDED IN ASSEMBLY

CONSOLE HANDLE, PRO-PANEL LCD

355447



## CONSOLE HANDLE, PRO- PANEL LCD

Ref.	Part No.	Serial Number	Description	Qty.
▽	1	9014135*	(10000000- 20000000 ) Bezel Kit, Propel, Lcd Pro- Panl,Ci (Canada Also Requires Qty 1 Ferrite #1229342)	1
▲	2	1205618	(10000000- 20000000 ) Cap, Usb	1
▲	3	1245824	(MAR2020- 20000000 ) Gasket, Console	1
▲	4	1071235	(10000000- 20000000 ) Cable [Usb, 2m, A- Male To Mini- B- Male]	1
	5	1205323	(10000000- 20000000 ) Switch, 0.1a, Spdt [Micro, Straight]	1
	6	1234365	(10000000- 20000000 ) Dial, Range, Speed	1
	7	1246392	(10947727- 20000000 ) Potentiometer [100k, 1 Turn, B5/B7]	1
	7	1204930	(10000000- 10947726 ) Potentiometer [100k, 1 Turn, B5/B7] (Rpld by 1246392)	1
	8	1209730	(10000000- 20000000 ) Cap, Toggle, Direction	1
	9	1209673	(10000000- 20000000 ) Switch Assy, Toggle, Direction	1
	10	1203787	(10000000- 20000000 ) Housing, Handle, Cntrl, Top	2
	11	1215863	(10000000- 20000000 ) Screw, Pan, Torx, M8 X 3.5 X 25[Remform]	2
	12	140027	(10000000- 20000000 ) Washer, Flat, 0.35b 0.75d .04, Ss	2
	13	1205143	(10000000- 20000000 ) Shaft Assy, Bail, Handle	1
	14	1020280	(10000000- 20000000 ) Seal, Afmkt, Rbr, Clsd, Adh, 01ft	1
	15	1205781	(10000000- 20000000 ) Spring, Return, Bail	1
	16	1222608	(10000000- 20000000 ) Housing, Handle, Cntrl, Bottom, Slotted	1
	17	1205778	(10000000- 20000000 ) Handle, Bail [Machined]	1
	18	1205799	(10000000- 20000000 ) Screw, Btn, M5 X 0.8 X 16, 8.8, NI, Torx	2
	19	1207004	(10000000- 20000000 ) Cover, Handle, Cntrl	1
	20	1229342	(10000000- 20000000 ) Inductor, Ferrite [110@100hz] (Canada Only)	1
	21	1043573	(10000000- 20000000 ) Screw, #10- 14 X 0.675, Spl[Shcs,Selftap]	15
	22	1063909	(MAR2020- 20000000 ) Seal, Afmkt, Rbr, Clsd, Adh, 01ft	1

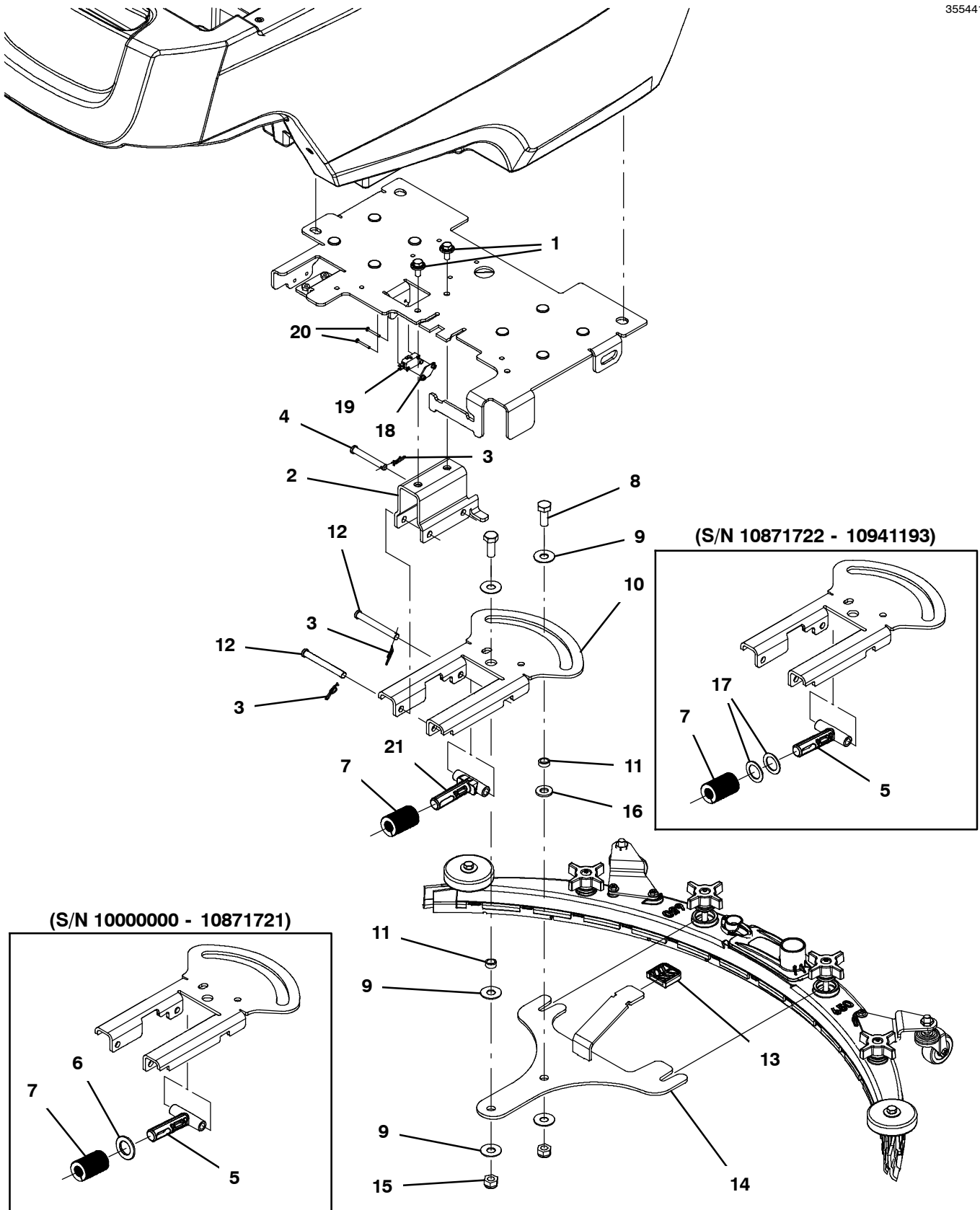
\* Requires Tennant *True* service or an authorized Tennant service provider.

▽ ASSEMBLY

▲ INCLUDED IN ASSEMBLY

SQUEEGEE LIFT GROUP

355441

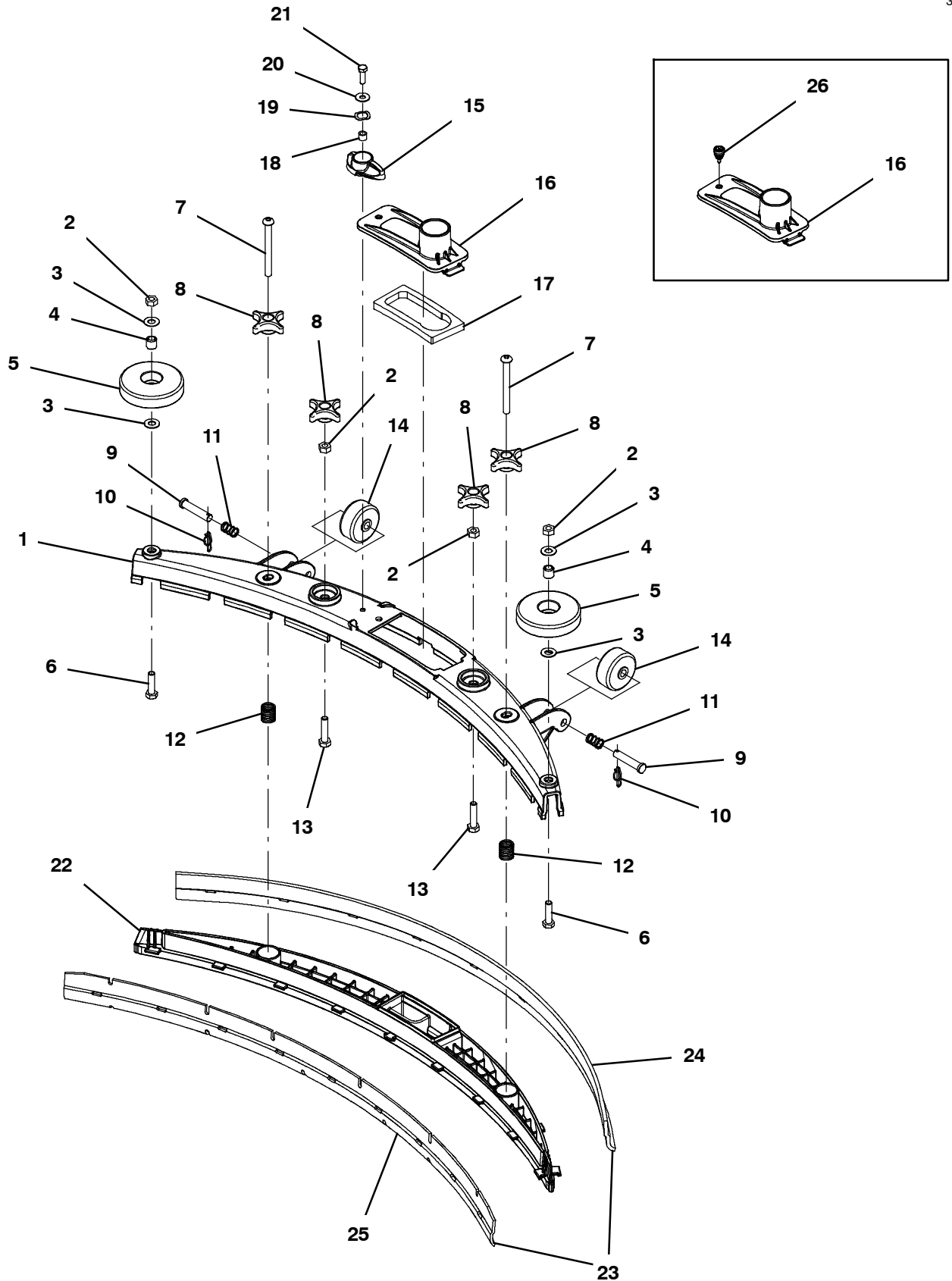


## SQUEEGEE LIFT GROUP

Ref.	Part No.	Serial Number	Description	Qty.
1	1020341	(10000000- 20000000 )	Screw, Hex, M8 X 1.25 X 20, Ss, Sems	2
2	1221959	(10000000- 20000000 )	Bracket, Wldt, Lift, Sqge [T500]	1
3	1216647	(10000000- 20000000 )	Pin, Cotter, Hair, 0.38d .054 Wir	3
4	391179	(10000000- 20000000 )	Pin, Clevis, 0.37d X 2.62l	1
5	1230368	(10000000- 10941193 )	Guide, Spring (Replaced by 9016898)	1
6	1225960	(10000000- 10871721 )	Washer, Thrust, 0.89b 1.50d 0.13w, Bnz	1
7	1228773	(10000000- 20000000 )	Spring, Cmpr, 1.25od, .625id, 2.0l	1
8	12309	(10000000- 20000000 )	Screw, Hex, M12 X 1.75 X 30, Ss	2
9	140045	(10000000- 20000000 )	Washer, Flat, 0.51b 1.25d .06, Ss	5
10	1219466	(10000000- 20000000 )	Bracket, Pivot, Sqge [T500]	1
11	1013662	(10000000- 20000000 )	Bushing, Sleeve, 12mmb 16mmd 7mml, Pm Yel	2
12	57598	(10000000- 20000000 )	Pin, Clevis, 0.37d X 3.25l	2
13	1212533	(10000000- 20000000 )	Cover, Pedal, Lift	1
14	1220505	(10000000- 20000000 )	Bracket Wldt, Mtg, Sqge [T500]	1
15	09741	(10000000- 20000000 )	Nut, Hex, Lock, M12 X 1.75, NI, Ss	2
16	140127	(10000000- 20000000 )	Washer, Thrust, 0.51b 1.00d 0.12w, Brz	1
17	82226	(10871722- 10941193 )	Washer, Flat, 0.91b 1.38d .06, Stl, PI	2
18	1013705	(10000000- 20000000 )	Plate, Thread, Switch, M3 Nut, 96hr PI	1
19	1215716	(10000000- 20000000 )	Switch, 0.1a, Spdt[Micro, Gold Contacts]	1
20	33933	(10000000- 20000000 )	Screw, Pan, Phl, M3 X 0.50 X 25, Ss	2
21	1235860	(10941194- 20000000 )	Guide, Spring	1

SQUEEGEE ASSEMBLY, 500MM / 20IN

355437



## SQUEEGEE ASSEMBLY, 500MM / 20IN

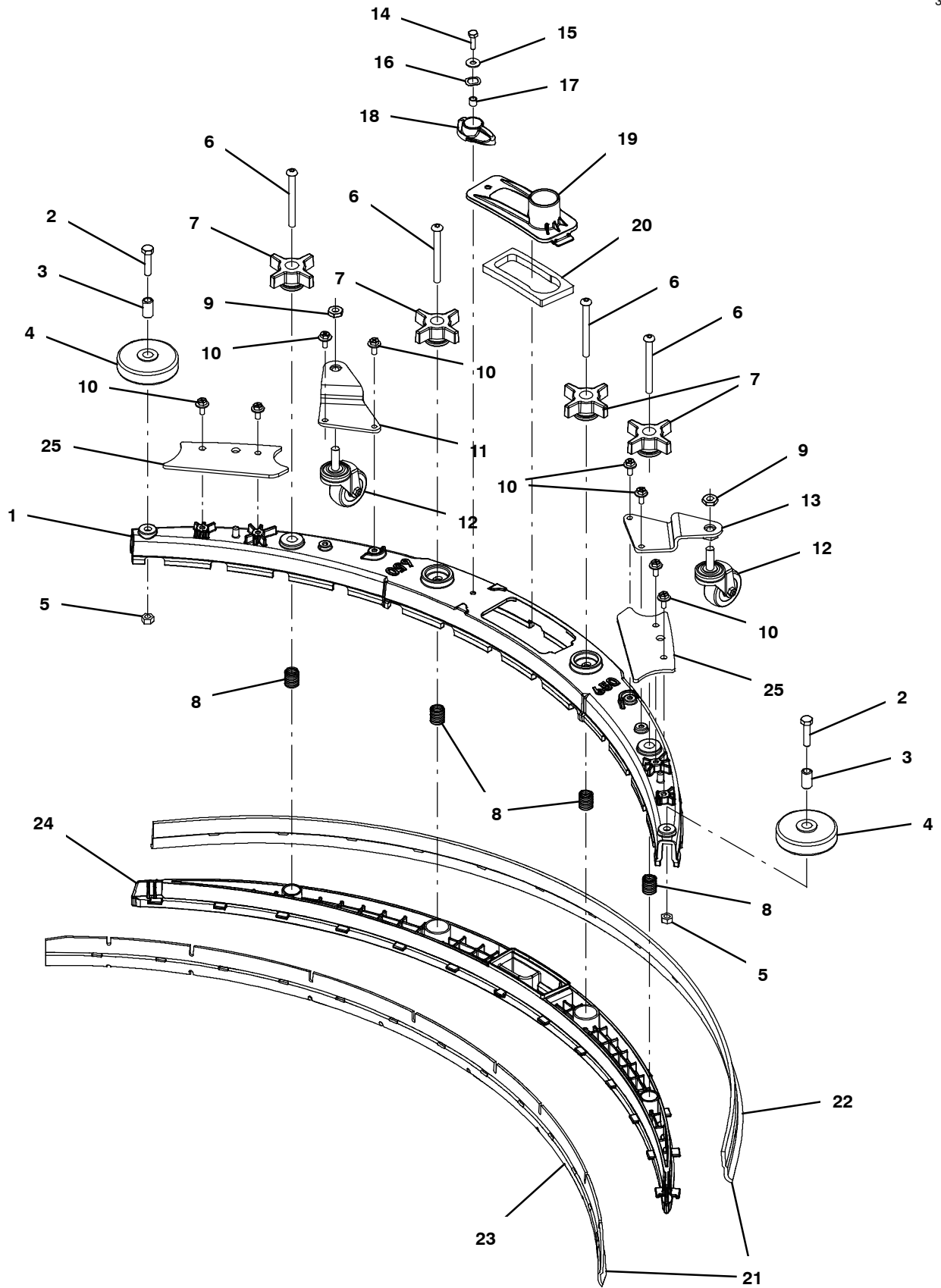
Ref.	Part No.	Serial Number	Description	Qty.
▽	9014172	(10000000- 20000000 )	Squeegee Kit, Linatex, Ci [T300/E/Ss300]	1
▲	1 1230946	(10000000- 20000000 )	Frame, Sqge, 50cm, Mach [T300]	1
▲	2 07786	(10000000- 20000000 )	Nut, Hex, Std, M8 X 1.25, Ss	2
▲	3 140027	(10000000- 20000000 )	Washer, Flat, 0.35b 0.75d .04, Ss	4
▲	4 222460	(10000000- 20000000 )	Sleeve, P/M, 0.32b 0.50d 0.5l [430ss]	2
▲	5 1010560	(10000000- 20000000 )	Wheel, Bmpr, 80d X 25w, Non- Marking	2
▲	6 1016399	(10000000- 20000000 )	Screw, Hex, M8 X 1.25 X 30, NI, Ss	2
▲	7 1212755	(10000000- 20000000 )	Screw, Btn, M8 X 1.25 X 80, Ss	2
▲	8 1213677	(10000000- 20000000 )	Knob, Star, 2.00od 4ear M8x1.25 [Yel]	4
▲	9 17461	(10000000- 20000000 )	Pin, Clevis, 0.37d X 1.75l	2
▲	10 1216647	(10000000- 20000000 )	Pin, Cotter, Hair, 0.38d .054 Wir	2
▲	11 1017091	(10000000- 20000000 )	Spring, Cmpr, 0.50od .04wir 00.8l	2
▲	12 22290	(10000000- 20000000 )	Spring, Cmpr, 0.72od .06wir 02.3l	2
▲	13 09026	(10000000- 20000000 )	Screw, Hex, M8 X 1.25 X 40, Ss	2
▲	14 630477	(10000000- 20000000 )	Wheel, Pyu, 02.0d 0.38w, Gray	2
▲	15 1222109	(xxxxxxx- 20000000 )	Knob, Sqge, 58l, M6 X 1.00, Plstc	1
▲	16 1209631	(10000000- 20000000 )	Cover, Trap, Water, Sqge	1
▲	17 1210756	(10000000- 20000000 )	Gasket, Trap, Water, Sqge	1
▲	18 140154	(xxxxxxx- 20000000 )	Sleeve, P/M, 0.25b 0.38d 0.3l, PI	1
▲	19 140060	(xxxxxxx- 20000000 )	Washer, .505 X .750 X 0.45 Wave	1
▲	20 01684	(xxxxxxx- 20000000 )	Washer, Flat, 0.27b 0.69d .05, Ss	1
▲	21 12277	(xxxxxxx- 20000000 )	Screw, Hex, M6 X 1.00 X 20, NI, Ss	1
▲	22 1203638	(10000000- 20000000 )	Retainer, Sqge [T300]	1
▲▽	23 9015731	(10000000- 20000000 )	Blade Kit, 500mm, Linatex (Standard)	1
▲▲	24 1203953	(10000000- 20000000 )	Blade, Sqge, Rear, 836l, Linatex[500mm] (Standard)	1
▲▲	25 1203954	(10000000- 20000000 )	Blade, Sqge, Front, 788l, Linatex[500mm] (Standard)	1
▽	23 9015732	(10000000- 20000000 )	Blade Kit, 500mm, Urethane (Option)	1
▲	24 1215609	(10000000- 20000000 )	Blade, Sqge, Rear, 836l, Urethane[500mm] (Option)	1
▲	25 1215611	(10000000- 20000000 )	Blade, Sqge, Front, 788l, Urethane[500mm] (Option)	1
▽	23 9015730	(10000000- 20000000 )	Blade Kit, 500mm, Gum (Option)	1
▲	24 1215610	(10000000- 20000000 )	Blade, Sqge, Rear, 836l, Gum[500mm] (Option)	1
▲	25 1215612	(10000000- 20000000 )	Blade, Sqge, Front, 788l, Gum[500mm] (Option)	1
	26 1212683	(10000000- xxxxxxxx )	Screw, Captive, M5, Knurled [Snap In]	1

▽ ASSEMBLY

▲ INCLUDED IN ASSEMBLY

SQUEEGEE ASSEMBLY, 650MM / 26IN

355438



## SQUEEGEE ASSEMBLY, 650MM / 26IN

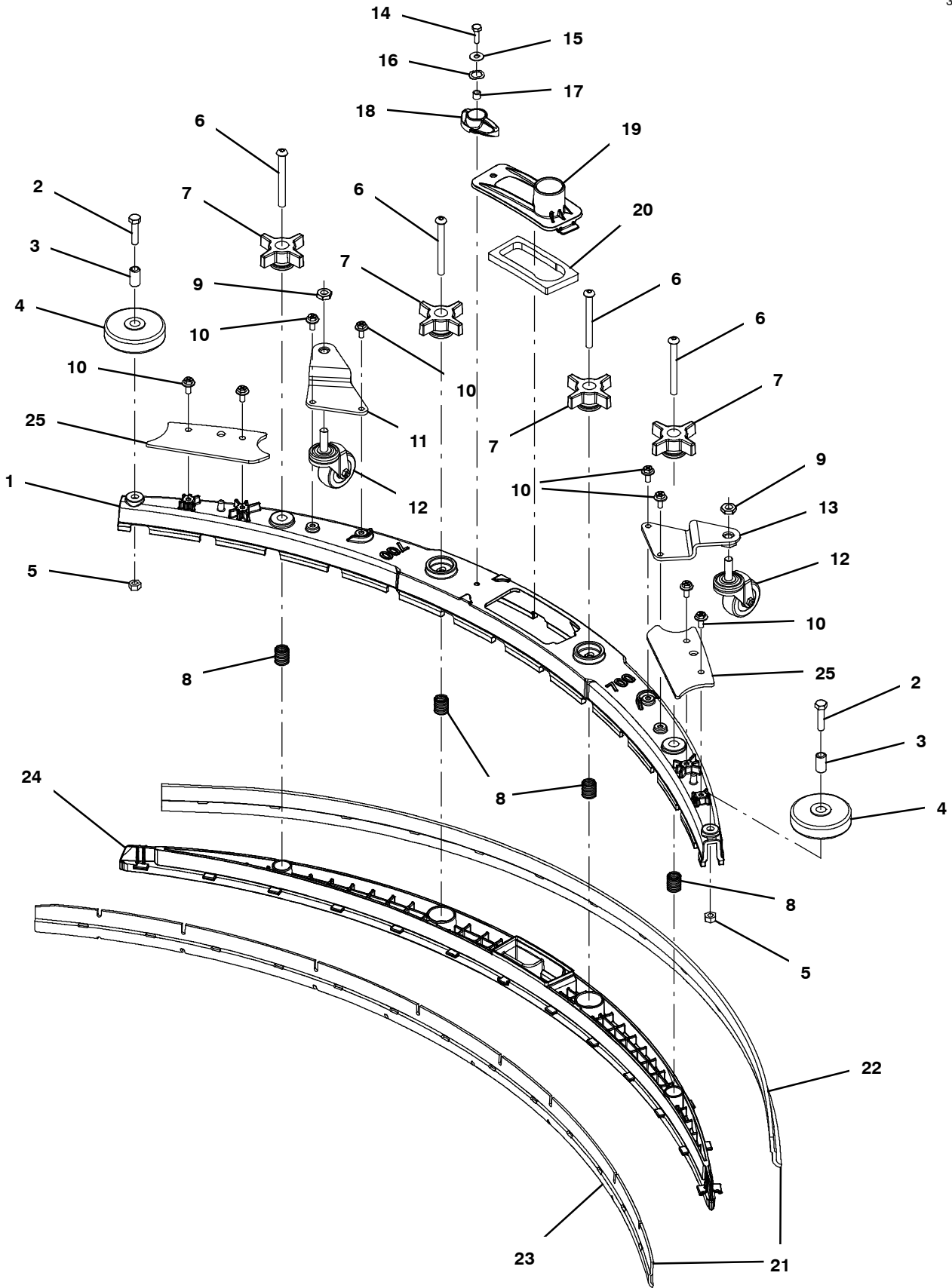
Ref.	Part No.	Serial Number	Description	Qty.
▽	9015301	(10000000- 20000000 )	Squeegee Kit, 650mm, Ci	1
▲	1 1243537	(10979889- 20000000 )	Frame, Sqge, 65cm, Mach [T500/T600]	1
	1 1221259	(10000000- 10979888 )	Frame, Sqge, 65cm, Mach [T500]	1
▲	2 59658	(10000000- 20000000 )	Screw, Hex, M8 X 1.25 X 35, NI, Ss	2
▲	3 222496	(10000000- 20000000 )	Sleeve, P/M, 0.32b 0.50d 0.9l [430ss]	2
▲	4 222066	(10000000- 20000000 )	Wheel, 03.0d 0.88w 0.50b	2
▲	5 07786	(10000000- 20000000 )	Nut, Hex, Std, M8 X 1.25, Ss	2
▲	6 1212755	(10000000- 20000000 )	Screw, Btn, M8 X 1.25 X 80, Ss	4
▲	7 1074204	(10000000- 20000000 )	Knob,Star,2.75d 4ear 1.1l M8x1.25,Thru,Y	4
▲	8 22290	(10000000- 20000000 )	Spring, Cmpr, 0.72od .06wir 02.3l	4
▲	9 32716	(10000000- 20000000 )	Nut, Hex, Jam, M10 X 1.5, Ss	2
▲	10 1034731	(10000000- 20000000 )	Screw, Hex, M6 X 1.00 X 16, Sems, Ss	8
▲	11 1222236	(10000000- 20000000 )	Bracket Wldt, Caster, Rh Sqge[T500]	1
▲	12 1006343	(10000000- 20000000 )	Caster, Swivel, 50mmd, M10 X 30, Clr PI	2
▲	13 1222001	(10000000- 20000000 )	Bracket Wldt, Caster, Lh Sqge [T500]	1
▲	14 12277	(10000000- 20000000 )	Screw, Hex, M6 X 1.00 X 20, NI, Ss	1
▲	15 01684	(10000000- 20000000 )	Washer, Flat, 0.27b 0.69d .05, Ss	1
▲	16 140060	(10000000- 20000000 )	Washer, Wave- Spring, .505 .750 .045	1
▲	17 140154	(10000000- 20000000 )	Sleeve, P/M, 0.25b 0.38d 0.3l, PI	1
▲	18 1222109	(10000000- 20000000 )	Knob, Sqge, 58l, M6 X 1.00, Plstc	1
▲	19 1209631	(10000000- 20000000 )	Cover, Trap, Water, Sqge	1
▲	20 1210756	(10000000- 20000000 )	Gasket, Trap, Water, Sqge	1
▲▽	21 9015734	(10000000- 20000000 )	Blade Kit, 650mm, Linatex/Linard (Standard)	1
▲▲	22 1221585	(10000000- 20000000 )	Blade, Sqge, Rear, 1166l, Linatex[650mm] (Standard)	1
▲▲	23 1232680	(10000000- 20000000 )	Blade, Sqge, Front, 1072l Linard[650mm] (Standard)	1
▲	24 1221260	(10000000- 20000000 )	Retainer, Sqge, 65cm [T500]	1
▲	25 1230738	(10000000- 20000000 )	Bracket, Sqge Bumper	2
▽	21 9015735	(10000000- 20000000 )	Blade Kit, 650mm, Urethane (Option)	1
▲	22 1228909	(10000000- 20000000 )	Blade, Sqge, Rear, 1136l,Urethane[650mm] (Option)	1
▲	23 1228915	(10000000- 20000000 )	Blade, Sqge, Front,1072l,Urethane[650mm] (Option)	1
▽	21 9015733	(10000000- 20000000 )	Blade Kit, 650mm, Gum (Option)	1
▲	22 1228910	(10000000- 20000000 )	Blade, Sqge, Rear, 1136l, Gum[650mm] (Option)	1
▲	23 1228919	(10000000- 20000000 )	Blade, Sqge, Front, 1072l Gum[650mm] (Option)	1

▽ ASSEMBLY

▲ INCLUDED IN ASSEMBLY

SQUEEGEE ASSEMBLY, 700MM / 28IN

355439



## SQUEEGEE ASSEMBLY, 700MM / 28IN

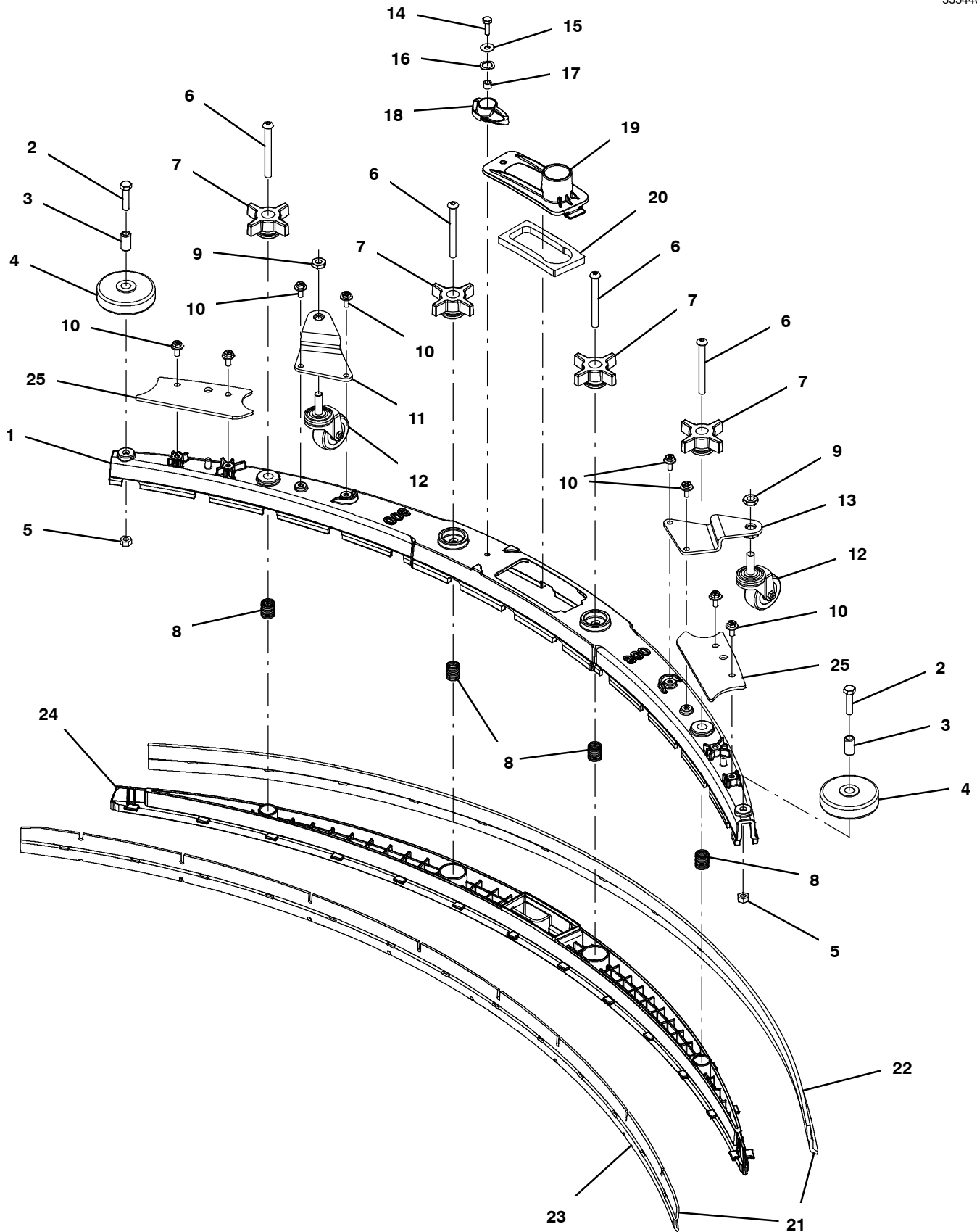
Ref.	Part No.	Serial Number	Description	Qty.
▽	9015302	(10000000- 20000000 )	Squeegee Kit, 700mm, Ci	1
▲	1 1241632	(10983981- 20000000 )	Frame, Sqge, 70cm, Mach [T500/T600]	1
	1 1220309	(10000000- 10983980 )	Frame, Sqge, 70cm, Mach [T500]	1
▲	2 59658	(10000000- 20000000 )	Screw, Hex, M8 X 1.25 X 35, NI, Ss	2
▲	3 222496	(10000000- 20000000 )	Sleeve, P/M, 0.32b 0.50d 0.9l [430ss]	2
▲	4 222066	(10000000- 20000000 )	Wheel, 03.0d 0.88w 0.50b	2
▲	5 07786	(10000000- 20000000 )	Nut, Hex, Std, M8 X 1.25, Ss	2
▲	6 1212755	(10000000- 20000000 )	Screw, Btn, M8 X 1.25 X 80, Ss	4
▲	7 1074204	(10000000- 20000000 )	Knob,Star,2.75d 4ear 1.1l M8x1.25,Thru,Y	4
▲	8 22290	(10000000- 20000000 )	Spring, Cmpr, 0.72od .06wir 02.3l	4
▲	9 32716	(10000000- 20000000 )	Nut, Hex, Jam, M10 X 1.5, Ss	2
▲	10 1034731	(10000000- 20000000 )	Screw, Hex, M6 X 1.00 X 16, Sems, Ss	8
▲	11 1222236	(10000000- 20000000 )	Bracket Wldt, Caster, Rh Sqge[T500]	1
▲	12 1006343	(10000000- 20000000 )	Caster, Swivel, 50mmd, M10 X 30, Clr PI	2
▲	13 1222001	(10000000- 20000000 )	Bracket Wldt, Caster, Lh Sqge [T500]	1
▲	14 12277	(10000000- 20000000 )	Screw, Hex, M6 X 1.00 X 20, NI, Ss	1
▲	15 01684	(10000000- 20000000 )	Washer, Flat, 0.27b 0.69d .05, Ss	1
▲	16 140060	(10000000- 20000000 )	Washer, Wave- Spring, .505 .750 .045	1
▲	17 140154	(10000000- 20000000 )	Sleeve, P/M, 0.25b 0.38d 0.3l, PI	1
▲	18 1222109	(10000000- 20000000 )	Knob, Sqge, 58l, M6 X 1.00, Plstc	1
▲	19 1209631	(10000000- 20000000 )	Cover, Trap, Water, Sqge	1
▲	20 1210756	(10000000- 20000000 )	Gasket, Trap, Water, Sqge	1
▲▽	21 9015737	(10000000- 20000000 )	Blade Kit, 700mm, Linatex/Linard (Standard)	1
▲▲	22 1221572	(10000000- 20000000 )	Blade, Sqge, Rear, 1204l, Linatex[700mm] (Standard)	1
▲▲	23 1232679	(10000000- 20000000 )	Blade, Sqge, Front, 1148l Linard[700mm] (Standard)	1
▲	24 1220783	(10000000- 20000000 )	Retainer, Sqge, 70cm [T500]	1
▲	25 1230738	(10000000- 20000000 )	Bracket, Sqge Bumper	2
▽	21 9015738	(10000000- 20000000 )	Blade Kit, 700mm, Urethane (Option)	1
▲	22 1228904	(10000000- 20000000 )	Blade, Sqge, Rear, 1204l,Urethane[700mm] (Option)	1
▲	23 1228906	(10000000- 20000000 )	Blade, Sqge, Front,1148l Urethane[700mm] (Option)	1
▽	21 9015736	(10000000- 20000000 )	Blade Kit, 700mm, Gum (Option)	1
▲	22 1228905	(10000000- 20000000 )	Blade, Sqge, Rear, 1204l, Gum[700mm] (Option)	1
▲	23 1228907	(10000000- 20000000 )	Blade, Sqge, Front, 1148l Gum[700mm] (Option)	1

▽ ASSEMBLY

▲ INCLUDED IN ASSEMBLY

SQUEEGEE ASSEMBLY, 800MM / 32IN

355440



## SQUEEGEE ASSEMBLY, 800MM / 32IN

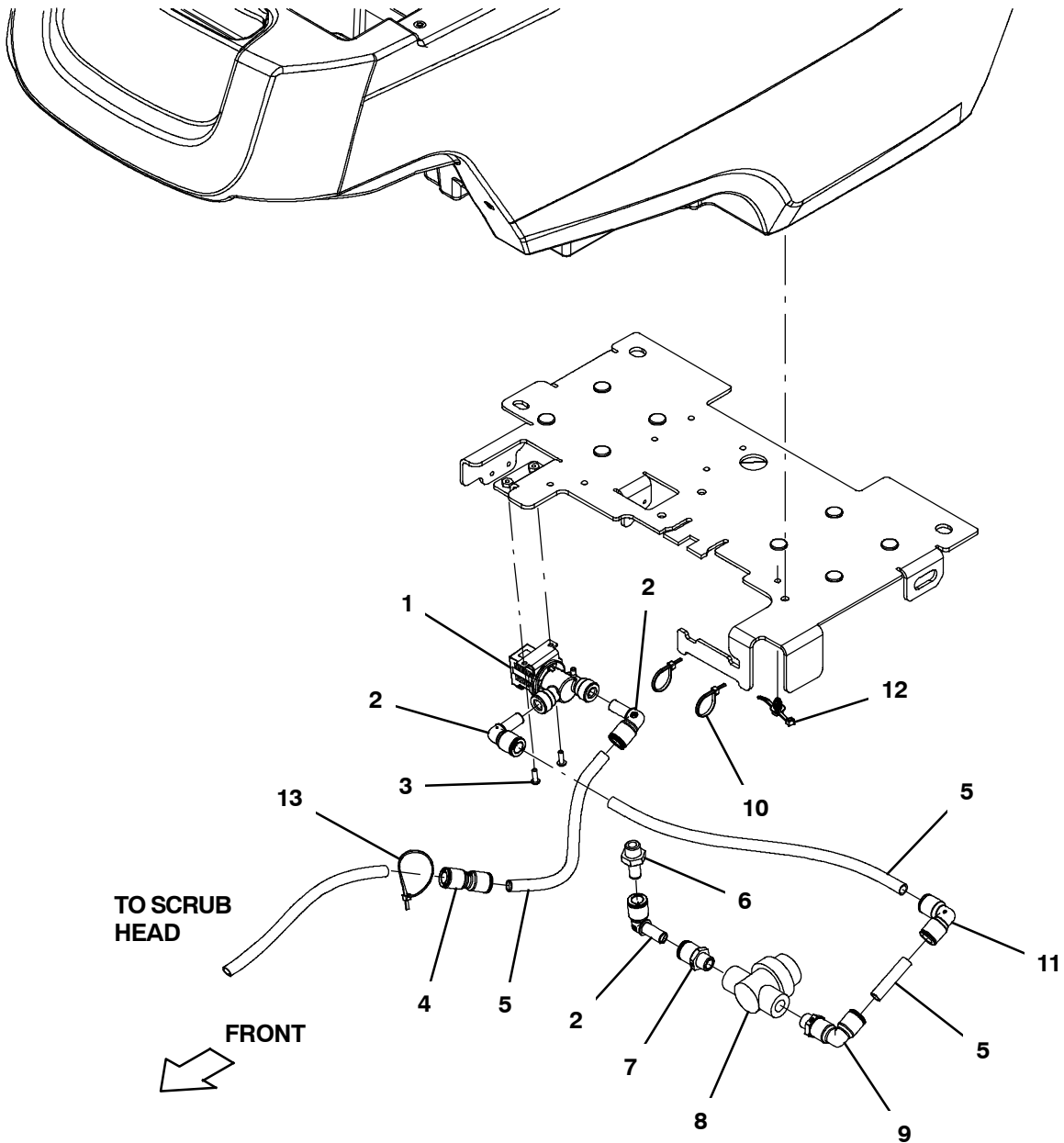
Ref.	Part No.	Serial Number	Description	Qty.
▽	9015303	(10000000- 20000000 )	Squeegee Kit, 800mm, Ci	1
▲	1 1243538	(10996996- 20000000 )	Frame, Sqge, 80cm, Mach [T500/T600]	1
	1 1219894	(10000000- 10996995 )	Frame, Sqge, 80cm, Mach [T500]	1
▲	2 59658	(10000000- 20000000 )	Screw, Hex, M8 X 1.25 X 35, NI, Ss	2
▲	3 222496	(10000000- 20000000 )	Sleeve, P/M, 0.32b 0.50d 0.9l [430ss]	2
▲	4 222066	(10000000- 20000000 )	Wheel, 03.0d 0.88w 0.50b	2
▲	5 07786	(10000000- 20000000 )	Nut, Hex, Std, M8 X 1.25, Ss	2
▲	6 1212755	(10000000- 20000000 )	Screw, Btn, M8 X 1.25 X 80, Ss	4
▲	7 1074204	(10000000- 20000000 )	Knob,Star,2.75d 4ear 1.1l M8x1.25,Thru,Y	4
▲	8 22290	(10000000- 20000000 )	Spring, Cmpr, 0.72od .06wir 02.3l	4
▲	9 32716	(10000000- 20000000 )	Nut, Hex, Jam, M10 X 1.5, Ss	2
▲	10 1034731	(10000000- 20000000 )	Screw, Hex, M6 X 1.00 X 16, Sems, Ss	8
▲	11 1222236	(10000000- 20000000 )	Bracket Wldt, Caster, Rh Sqge[T500]	1
▲	12 1006343	(10000000- 20000000 )	Caster, Swivel, 50mmd, M10 X 30, Clr PI	2
▲	13 1222001	(10000000- 20000000 )	Bracket Wldt, Caster, Lh Sqge [T500]	1
▲	14 12277	(10000000- 20000000 )	Screw, Hex, M6 X 1.00 X 20, NI, Ss	1
▲	15 01684	(10000000- 20000000 )	Washer, Flat, 0.27b 0.69d .05, Ss	1
▲	16 140060	(10000000- 20000000 )	Washer, Wave- Spring, .505 .750 .045	1
▲	17 140154	(10000000- 20000000 )	Sleeve, P/M, 0.25b 0.38d 0.3l, PI	1
▲	18 1222109	(10000000- 20000000 )	Knob, Sqge, 58l, M6 X 1.00, Plstc	1
▲	19 1209631	(10000000- 20000000 )	Cover, Trap, Water, Sqge	1
▲	20 1210756	(10000000- 20000000 )	Gasket, Trap, Water, Sqge	1
▲▽	21 9015740	(10000000- 20000000 )	Blade Kit, 800mm, Linatex/Linard (Standard)	1
▲▲	22 1221115	(10000000- 20000000 )	Blade, Sqge, Rear, 1306l, Linatex[800mm] (Standard)	1
▲▲	23 1232681	(10000000- 20000000 )	Blade, Sqge, Front, 1256l Linard[800mm] (Standard)	1
▲	24 1219405	(10000000- 20000000 )	Retainer, Sqge, 80cm [T500]	1
▲	25 1230738	(10000000- 20000000 )	Bracket, Sqge Bumper	2
▽	21 9015741	(10000000- 20000000 )	Blade Kit, 800mm, Urethane (Option)	1
▲	22 1228920	(10000000- 20000000 )	Blade, Sqge, Rear, 1306l,Urethane[800mm] (Option)	1
▲	23 1228922	(10000000- 20000000 )	Blade, Sqge, Front,1256l Urethane[800mm] (Option)	1
▽	21 9015739	(10000000- 20000000 )	Blade Kit, 800mm, Gum (Option)	1
▲	22 1228921	(10000000- 20000000 )	Blade, Sqge, Rear, 1306l, Gum[800mm] (Option)	1
▲	23 1228923	(10000000- 20000000 )	Blade, Sqge, Front, 1256l Gum[800mm] (Option)	1

▽ ASSEMBLY

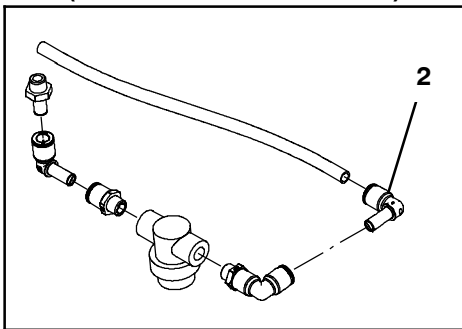
▲ INCLUDED IN ASSEMBLY

STANDARD SOLUTION GROUP

355435



(S/N 1000000 - 10865726)



## STANDARD SOLUTION GROUP

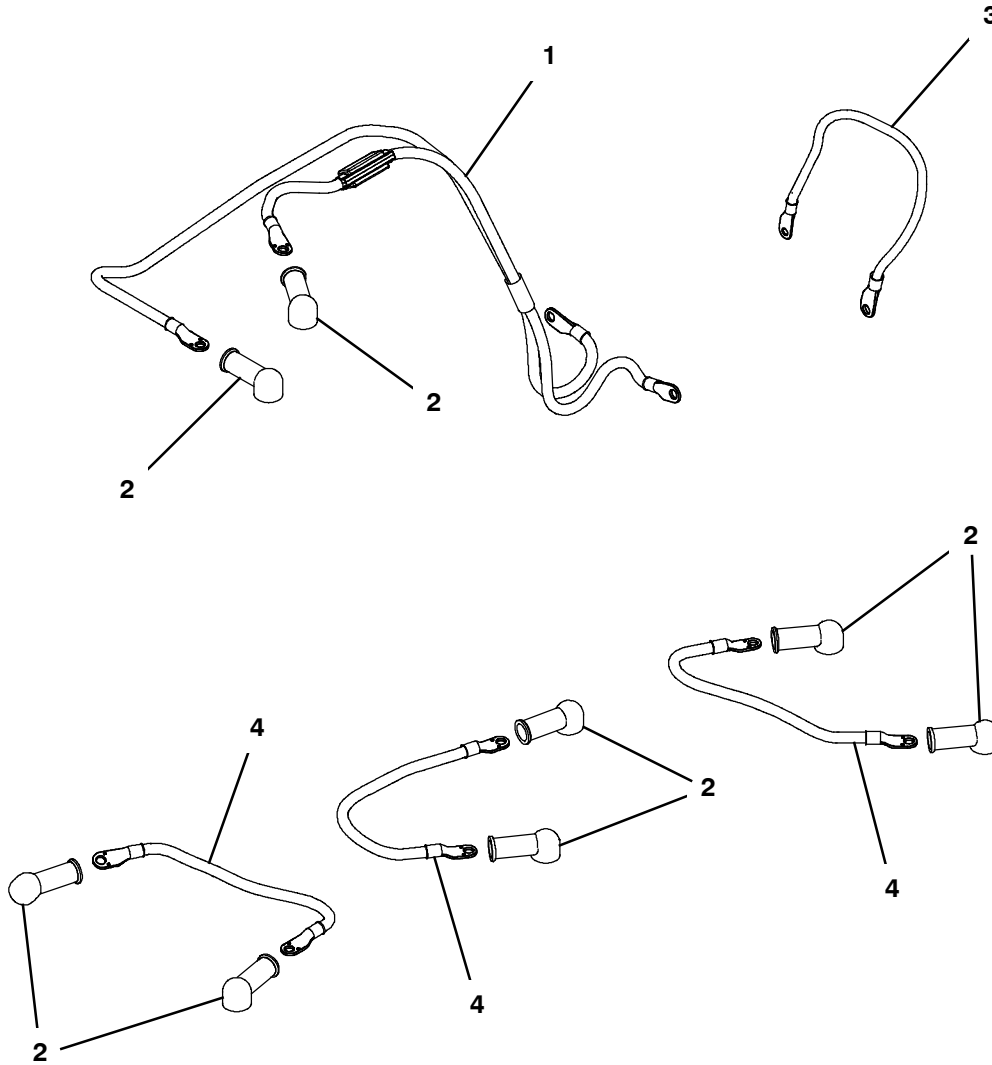
Ref.	Part No.	Serial Number	Description	Qty.	
1	1211424	(10000000- 20000000 )	Valve, Water, Solenoid, 24vdc Qf08/Qf08	1	
2	1212809	(10865727- 20000000 )	Fitting, Plstc, E90, Qf08/Qm08	3	
2	1212809	(10000000- 10865726 )	Fitting, Plstc, E90, Qf08/Qm08	4	
3	1205799	(10000000- 20000000 )	Screw, Btn, M5 X 0.8 X 16, 8.8, NI, Torx	2	
4	1212859	(10000000- 20000000 )	Fitting, Plstc, Str, Qf08/Qf08	1	
5	9014145	(10000000- 20000000 )	Hose, Afmkt, Pe, .375id .50od, 05ft	1	
6	1227552	(10000000- 20000000 )	Fitting, Plstc, Str, Qm08/Pm06	1	
7	1212813	(10000000- 20000000 )	Fitting, Plstc, Str, Qf08/Pm06	1	
▽	8	1211537	(10000000- 20000000 )	Filter, In- Line, Pf06/Pf06 080m 2.6l Epd	1
▲		1218885	(10000000- 20000000 )	Gasket [Epdm, F/1211537]	1
▲		1218883	(10000000- 20000000 )	Screen, Fltr, 80 Mesh, Ss [W/ Cage]	1
▲		613991	(10000000- 20000000 )	Bowl, Clr, Short, F/1005302	1
	9	1212987	(10000000- 20000000 )	Fitting, Plstc, E90, Qf08/Pm06, Swivel	1
	10	130773	(10000000- 20000000 )	Tie, Cable, Nyl, 11.0l, .14w, 3.0 Max. D	2
	11	1221945	(10865727- 20000000 )	Fitting, Plstc, E90, Qf08/Qf08	1
	12	1210807	(10865727- 20000000 )	Wire, Tie [W/.25" Fir Tree Clip]	1
	13	130773	(10000000- 20000000 )	Tie, Cable, Nyl, 11.0l, .14w, 3.0 Max. D	1

▽ ASSEMBLY

▲ INCLUDED IN ASSEMBLY

STANDARD BATTERY CABLES GROUP

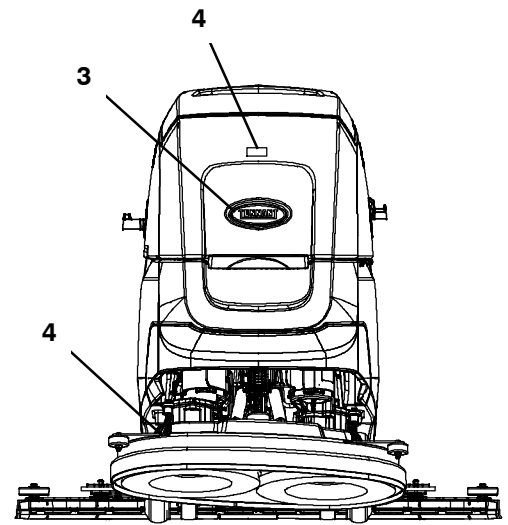
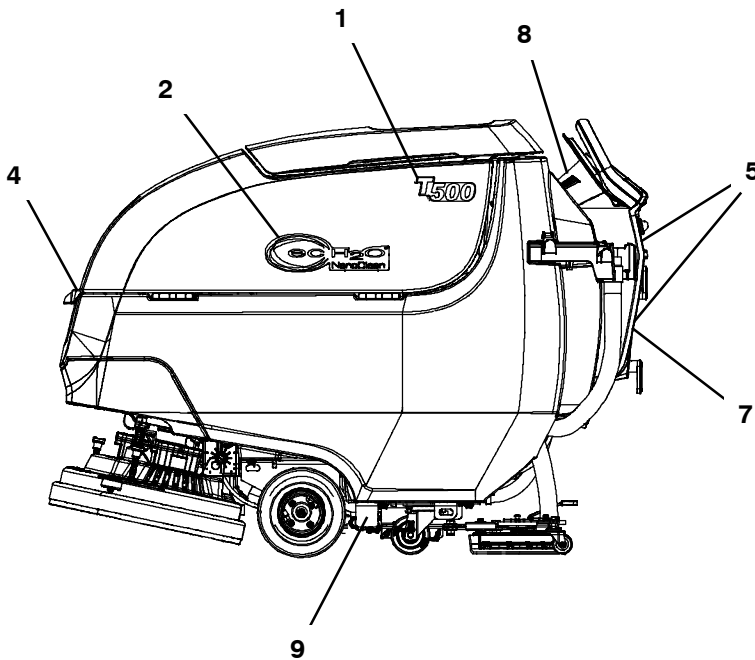
355456



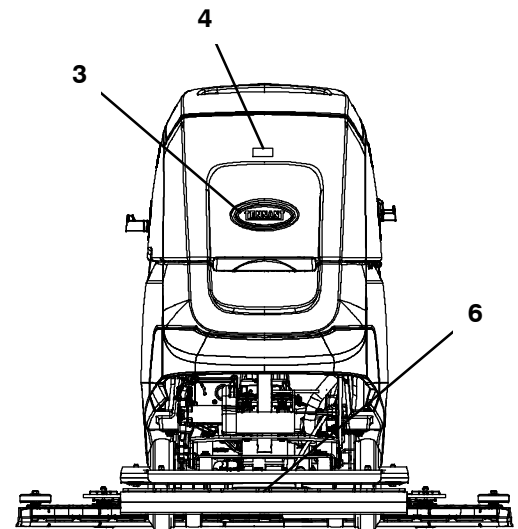
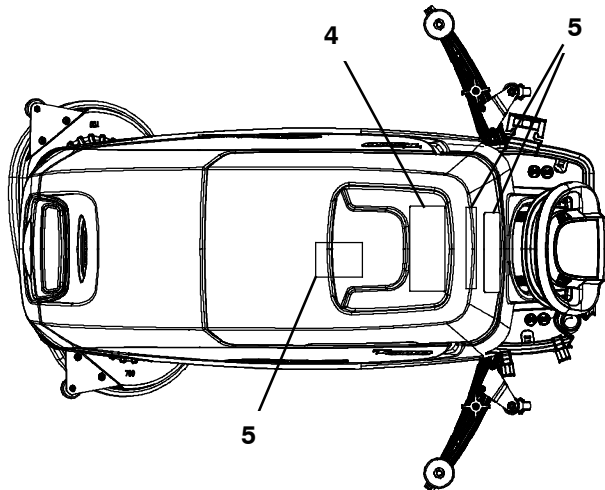
Ref.	Part No.	Serial Number	Description	Qty.
1	1074942	(10000000- 20000000 )	Cable, Assy [T500,T500e]	1
2	611221	(10000000- 20000000 )	Boot, Terminal, Battery, 25.4mm, Blk	8
3	1074945	(10000000- 20000000 )	Cable, 04ga 15.0l Red [M8 Ring/M6 Ring]	1
4	1073680	(10000000- 20000000 )	Cable, 04ga 15.0l Blk [M8 Ring/M8 Ring]	3

LABEL GROUP

355469



DISK & CYLINDRICAL HEAD



ORBITAL HEAD

Ref.	Part No.	Serial Number	Description	Qty.
1	1224983	(10000000- 20000000 )	Label, T500	2
2	1216520	(10000000- 20000000 )	Label, Logo [Ech2o Nano]	2
3	1213114	(10000000- 20000000 )	Label, Logo, 05.5l, Blk/Sil [Tennant]	1
4	1220962	(10000000- 20000000 )	Label Sheet, Info/Hzrd [T500, Na]	1
5	1220965	(10000000- 20000000 )	Label Sheet, Operational [T500]	1
6	1224995	(10000000- 20000000 )	Label, Orbital, Size, 70cm	1
7	1225763	(10000000- 20000000 )	Label, Decal, Charger, Off- Board	1
8	1229725	(10000000- 20000000 )	Label, Warning [Do Not Spray]	1
9	1231798	(10865727- 20000000 )	Label, Info, Filter	1



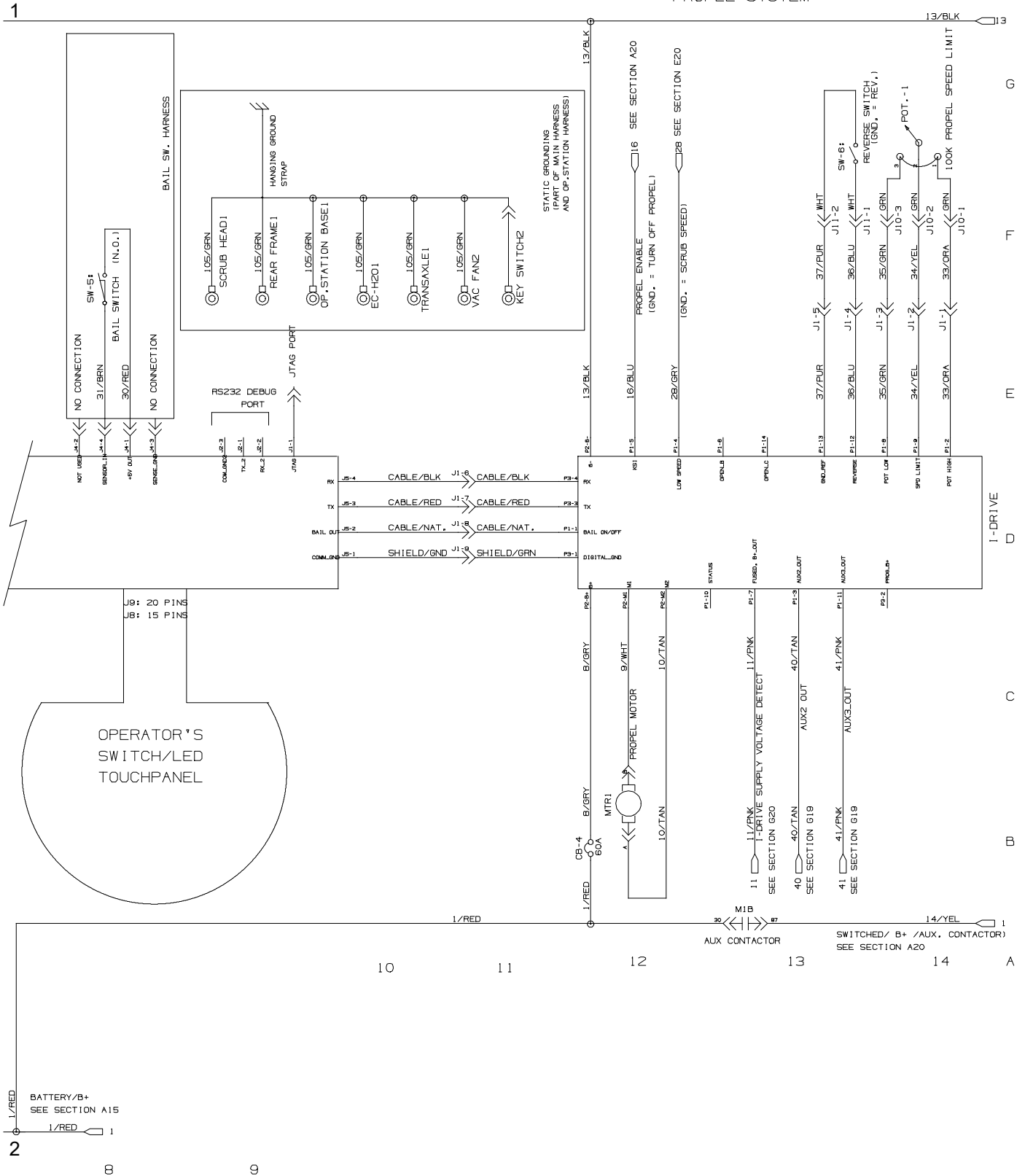
ELECTRICAL DIAGRAM (PAGE 2 OF 8)  
(S/N 10995399 - 2000000)

1075014\_02

T500 WITH STANDARD LEAD ACID BATTERIES

PROPEL SYSTEM

BATTERY -  
SEE SECTION G15

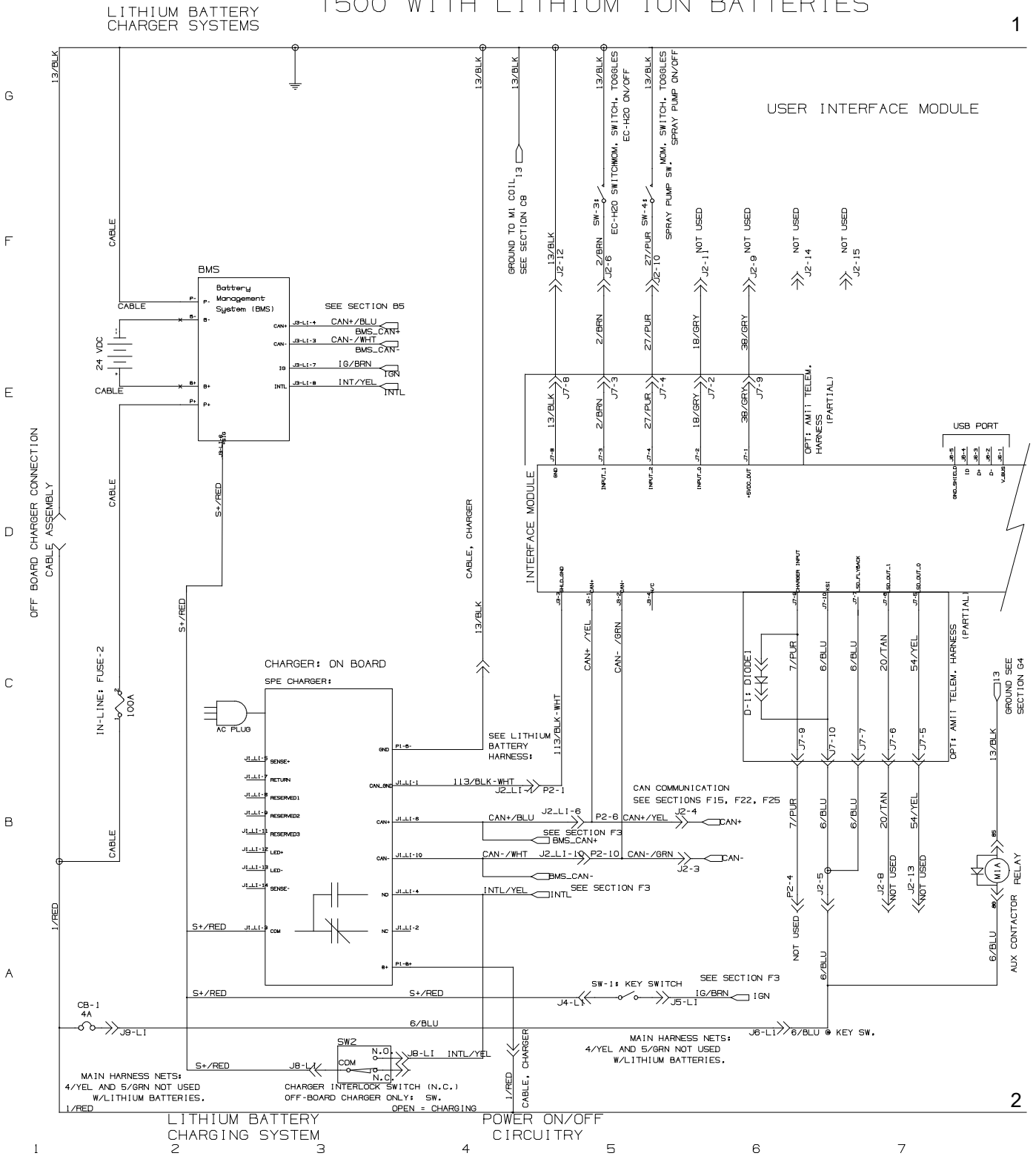


ELECTRICAL DIAGRAM (PAGE 3 OF 8)  
(S/N 10995399 - 2000000)

1075014\_02

T500 WITH LITHIUM ION BATTERIES

1



2

ELECTRICAL DIAGRAM (PAGE 4 OF 8)  
(S/N 10995399 - 2000000)

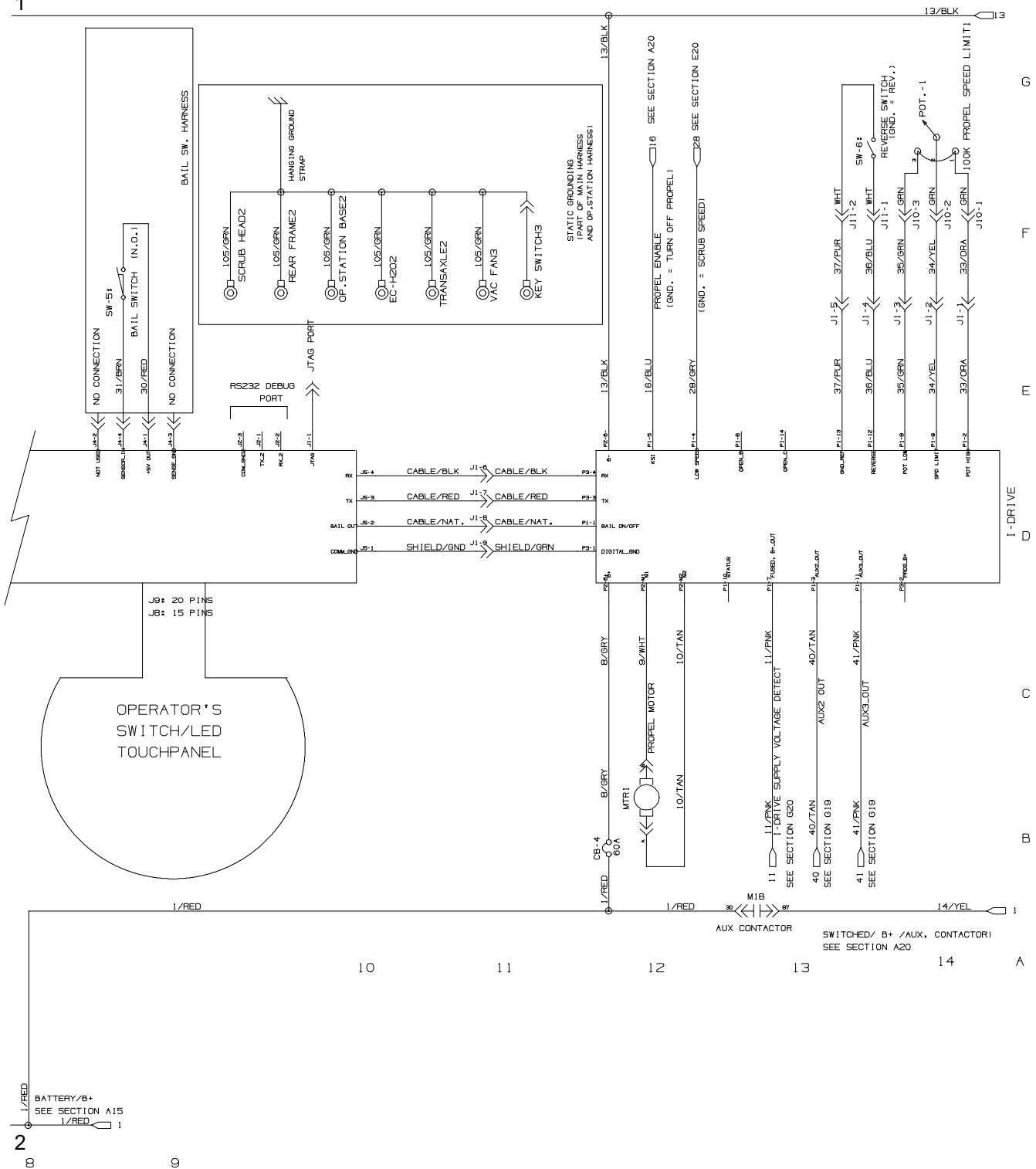
1075014\_02

T500 WITH LITHIUM ION BATTERIES

PROPEL SYSTEM

BATTERY -  
SEE SECTION G15

1



2

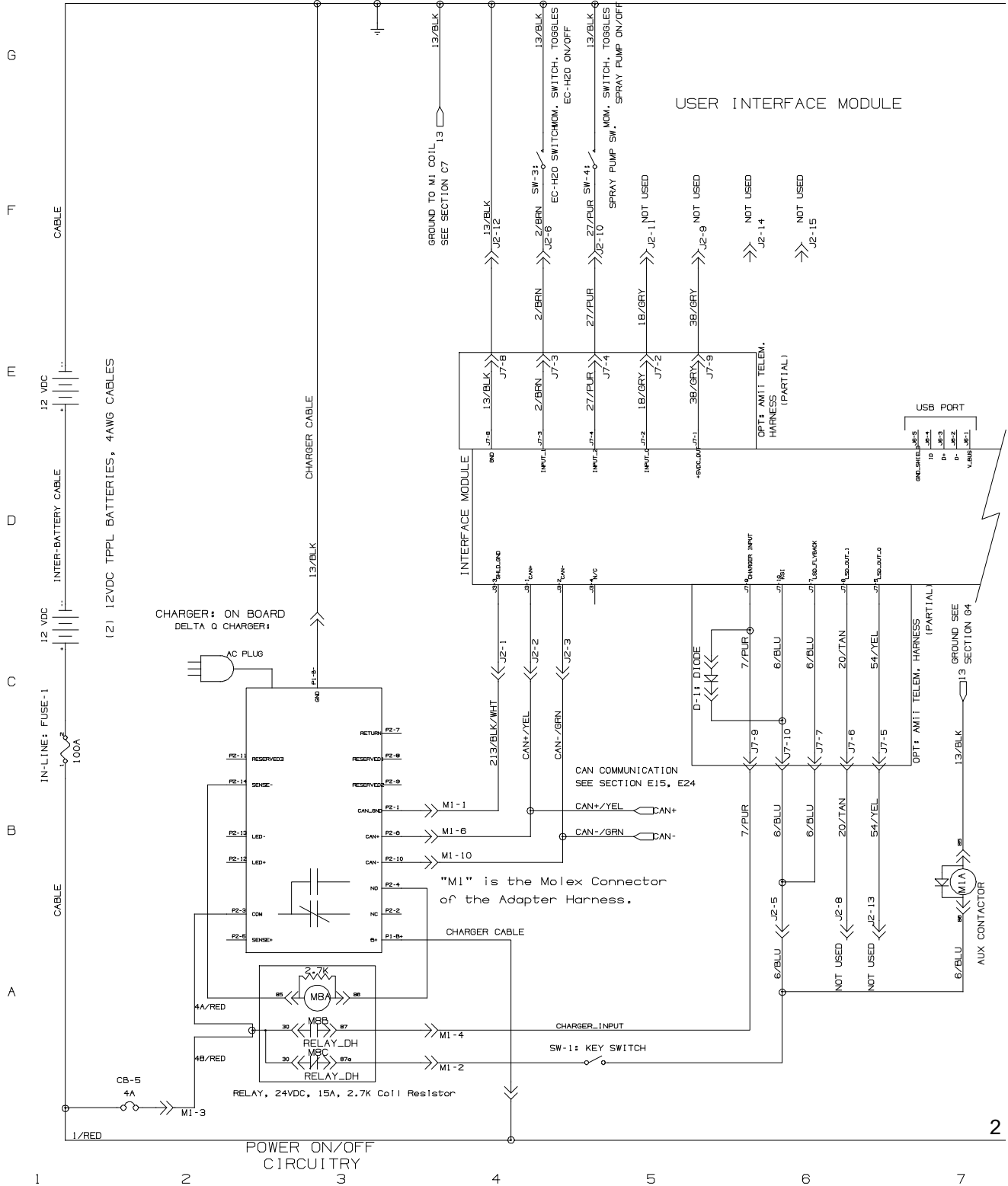
ELECTRICAL DIAGRAM (PAGE 5 OF 8)  
(S/N 10995399 - 20000000)

1075014\_02

BATTERY /  
CHARGER  
SYSTEMS

T500 WITH TPPL BATTERIES

1

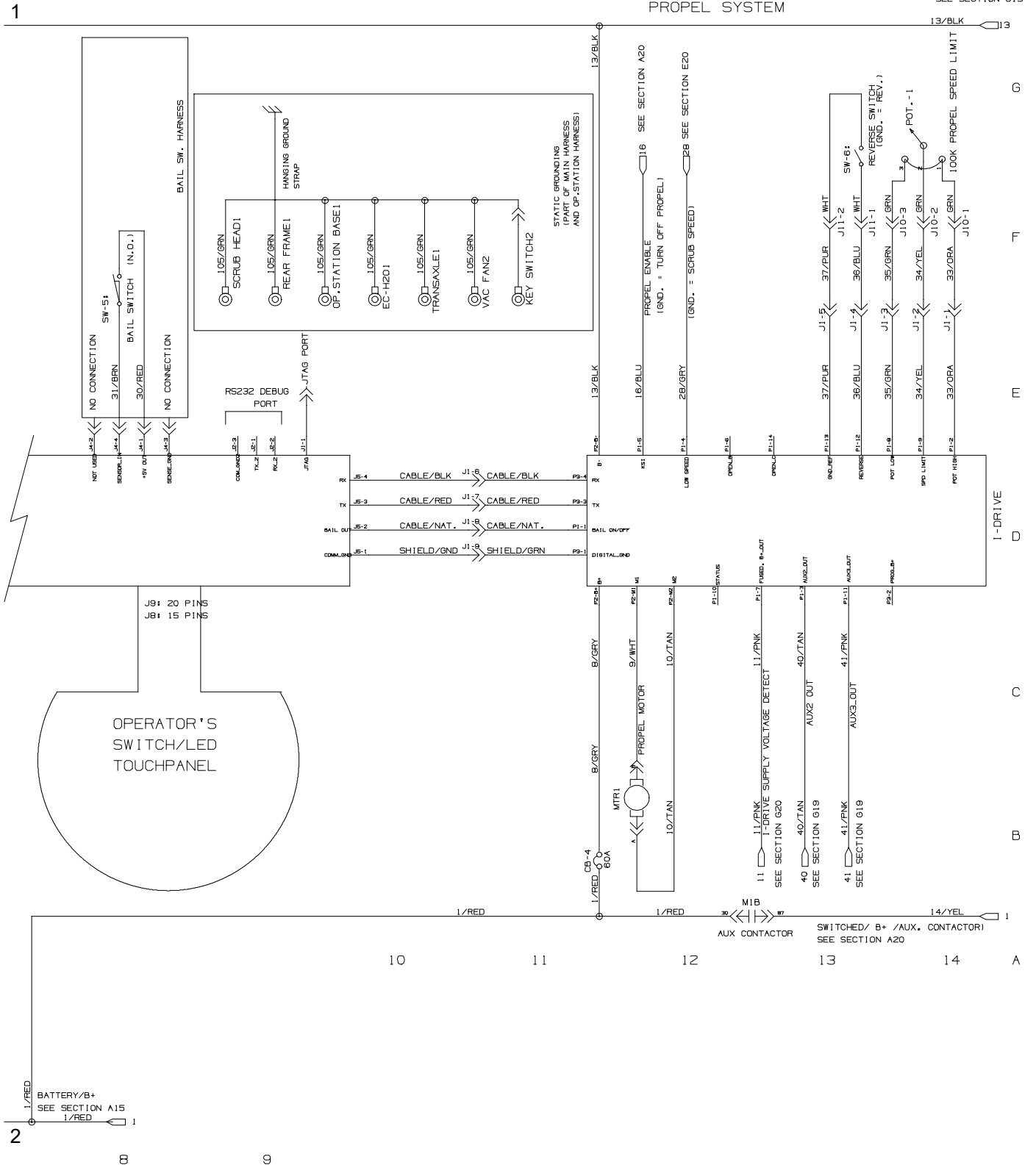


2

ELECTRICAL DIAGRAM (PAGE 6 OF 8)  
(S/N 10995399 - 2000000)

1075014\_02

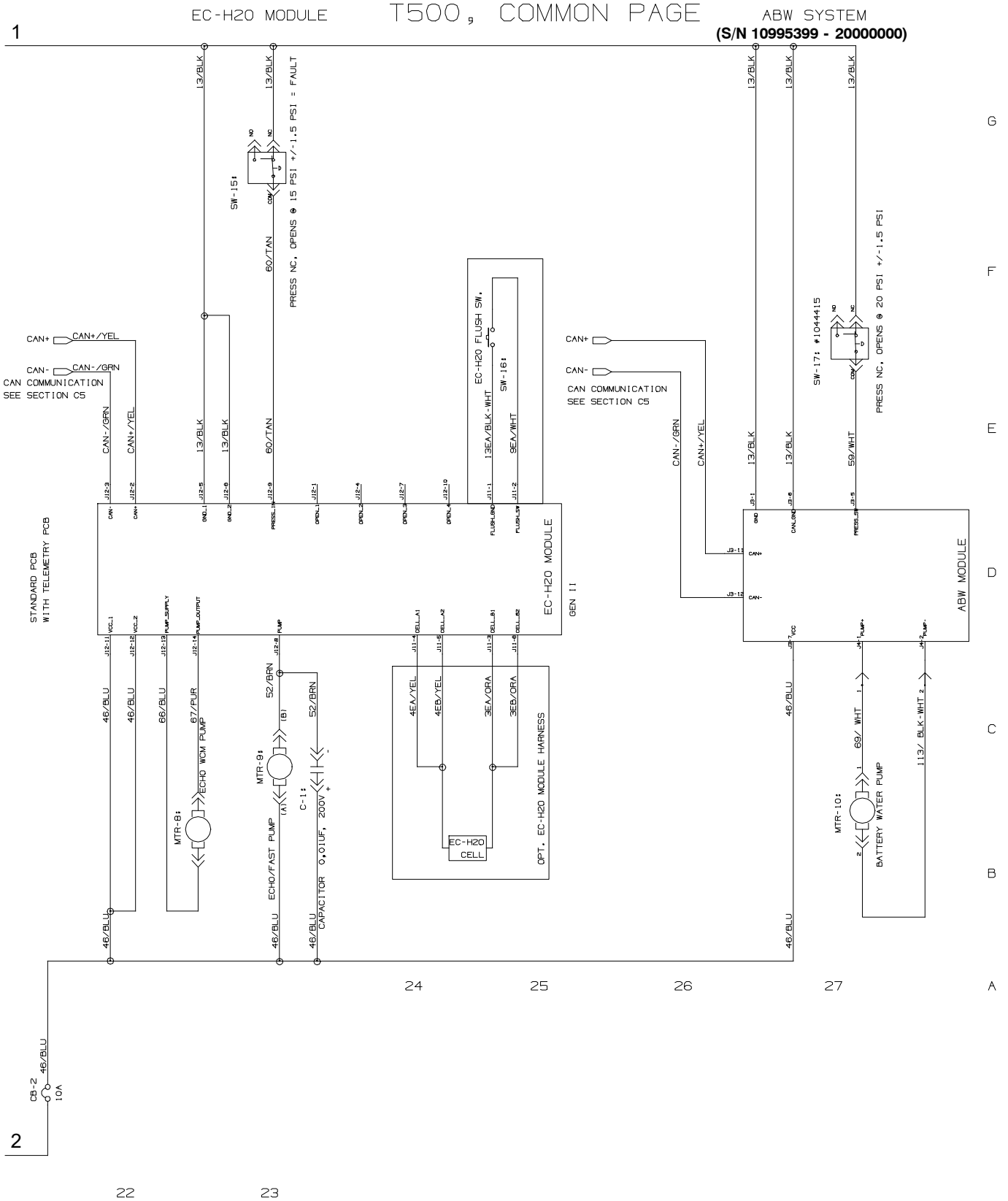
T500 WITH TPPL BATTERIES





ELECTRICAL DIAGRAM (PAGE 8 OF 8)  
(S/N 10995399 - 2000000)

1075014\_02

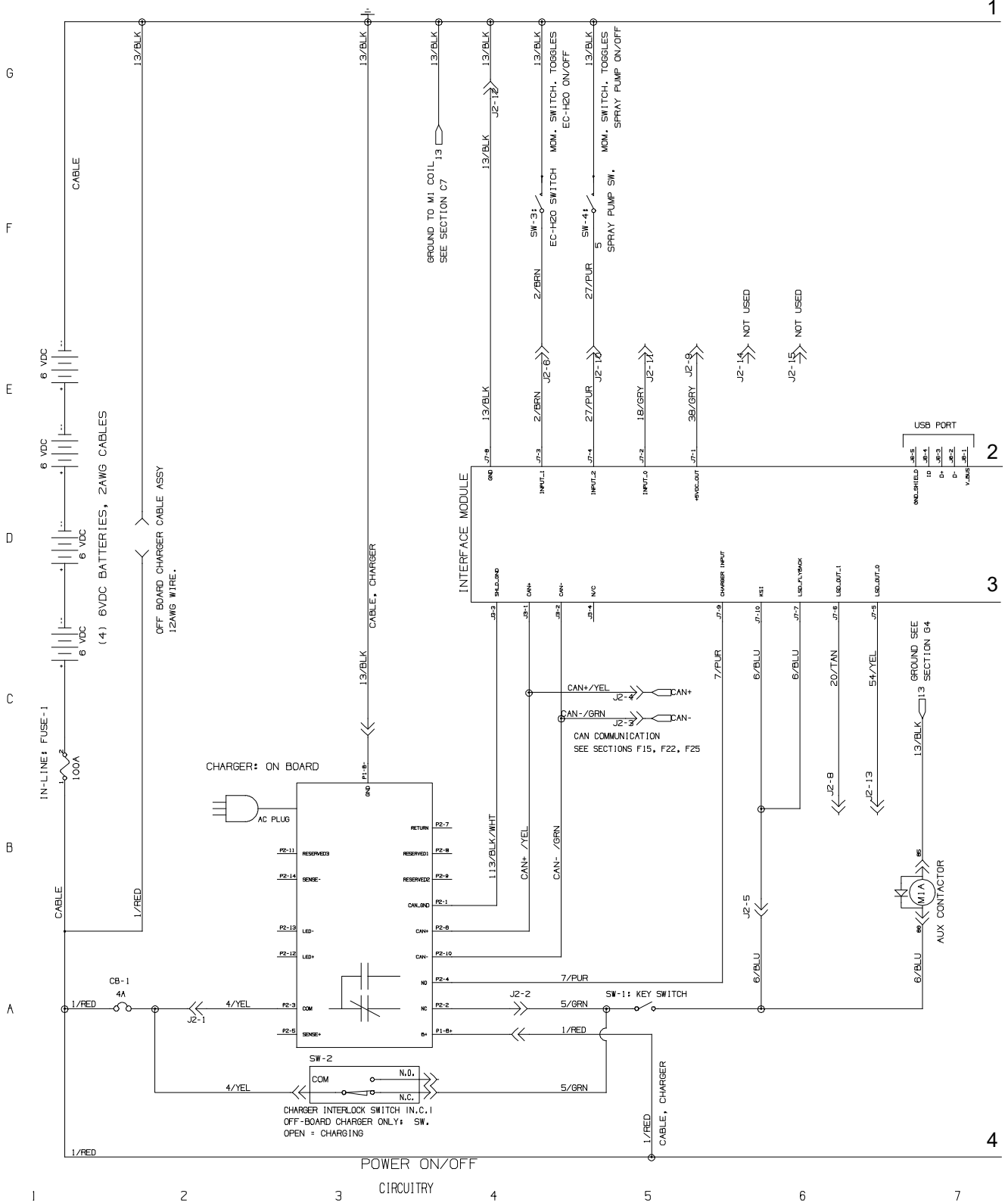


ELECTRICAL DIAGRAM (PAGE 1 OF 4)  
(S/N 1000000 - 10995398)

1075014\_00

BATTERY /  
CHARGER  
SYSTEMS

USER INTERFACE  
MODULE

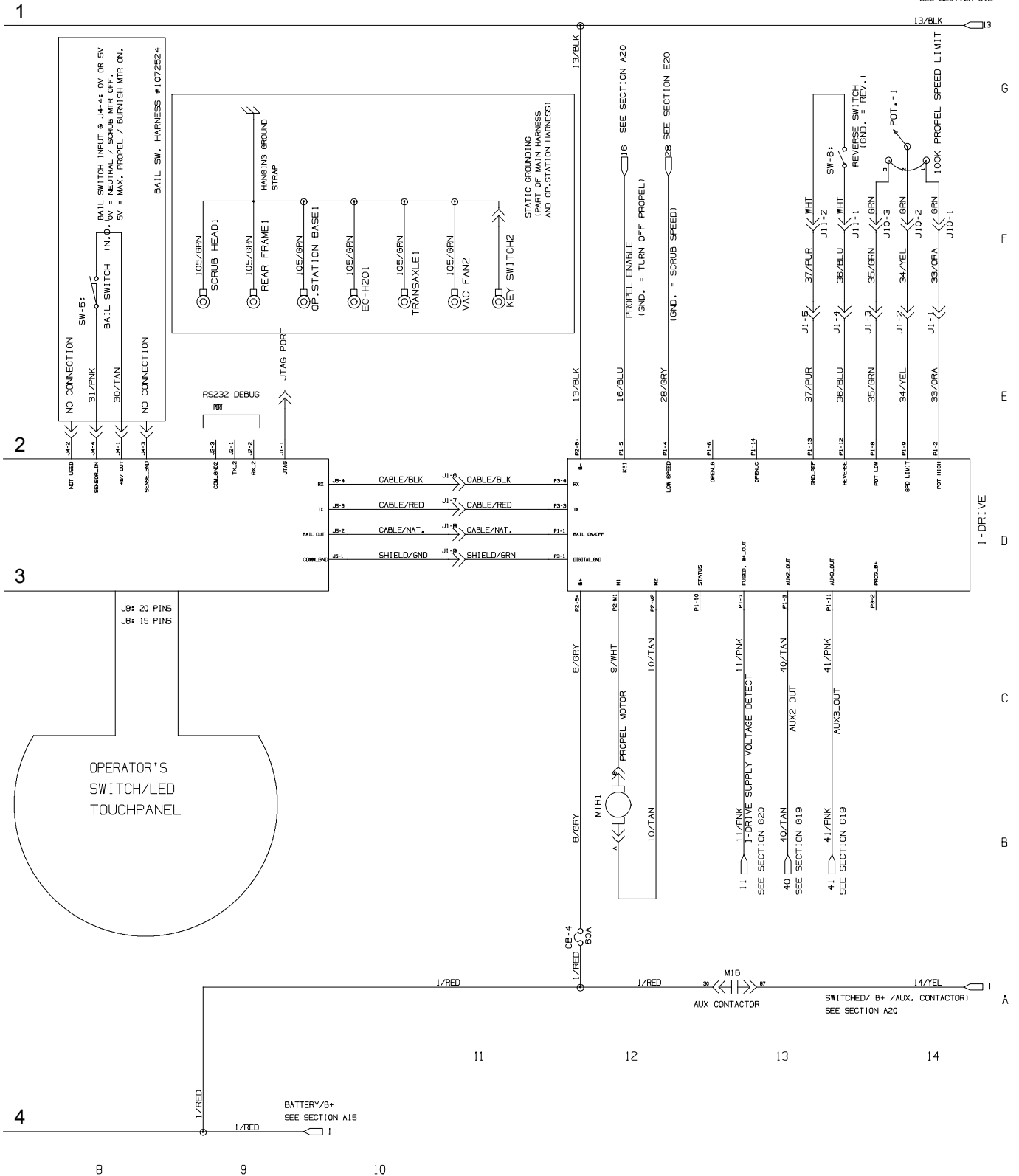


ELECTRICAL DIAGRAM (PAGE 2 OF 4)  
(S/N 1000000 - 10995398)

1075014\_00

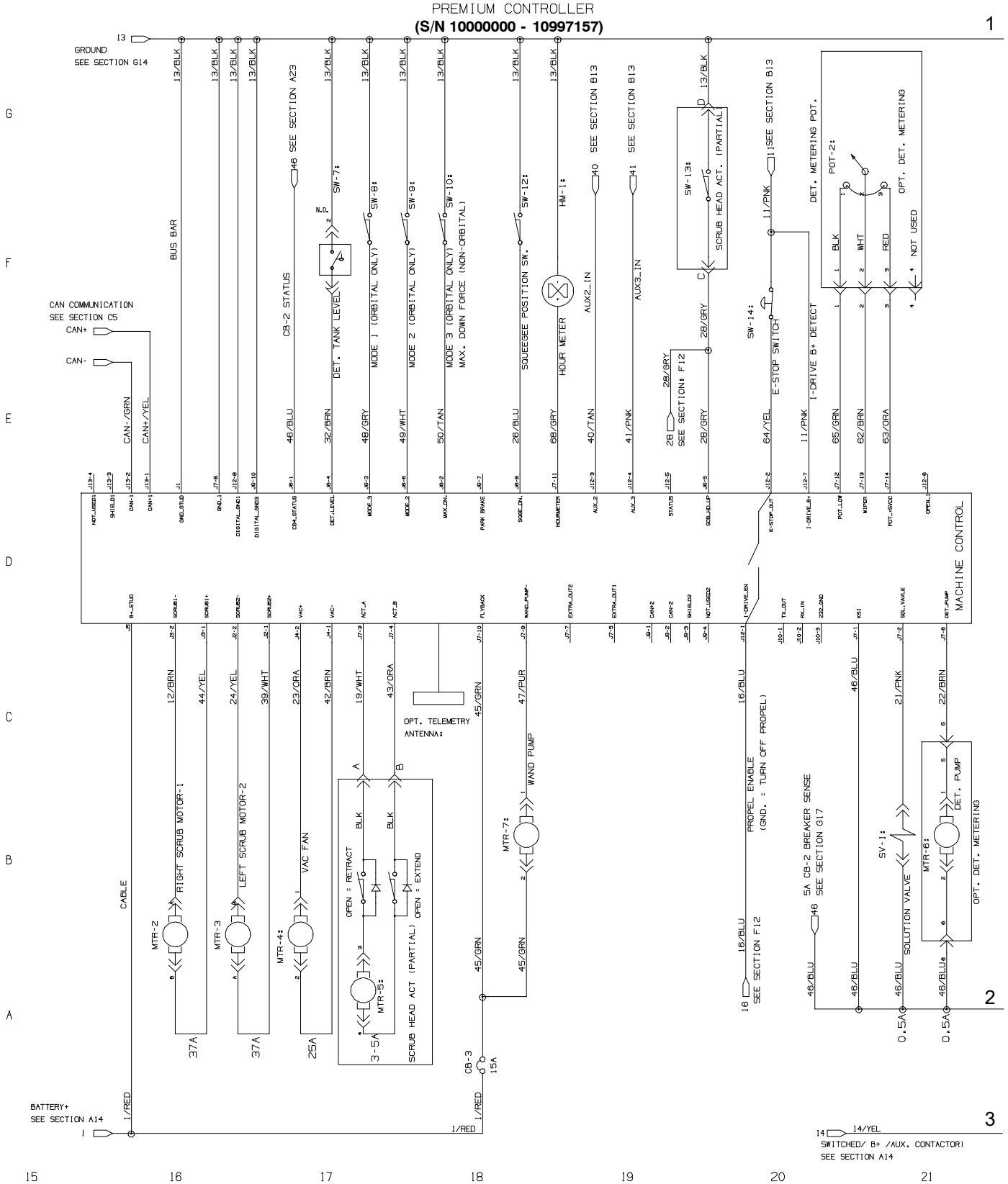
PROPEL SYSTEM

BATTERY-  
SEE SECTION 615



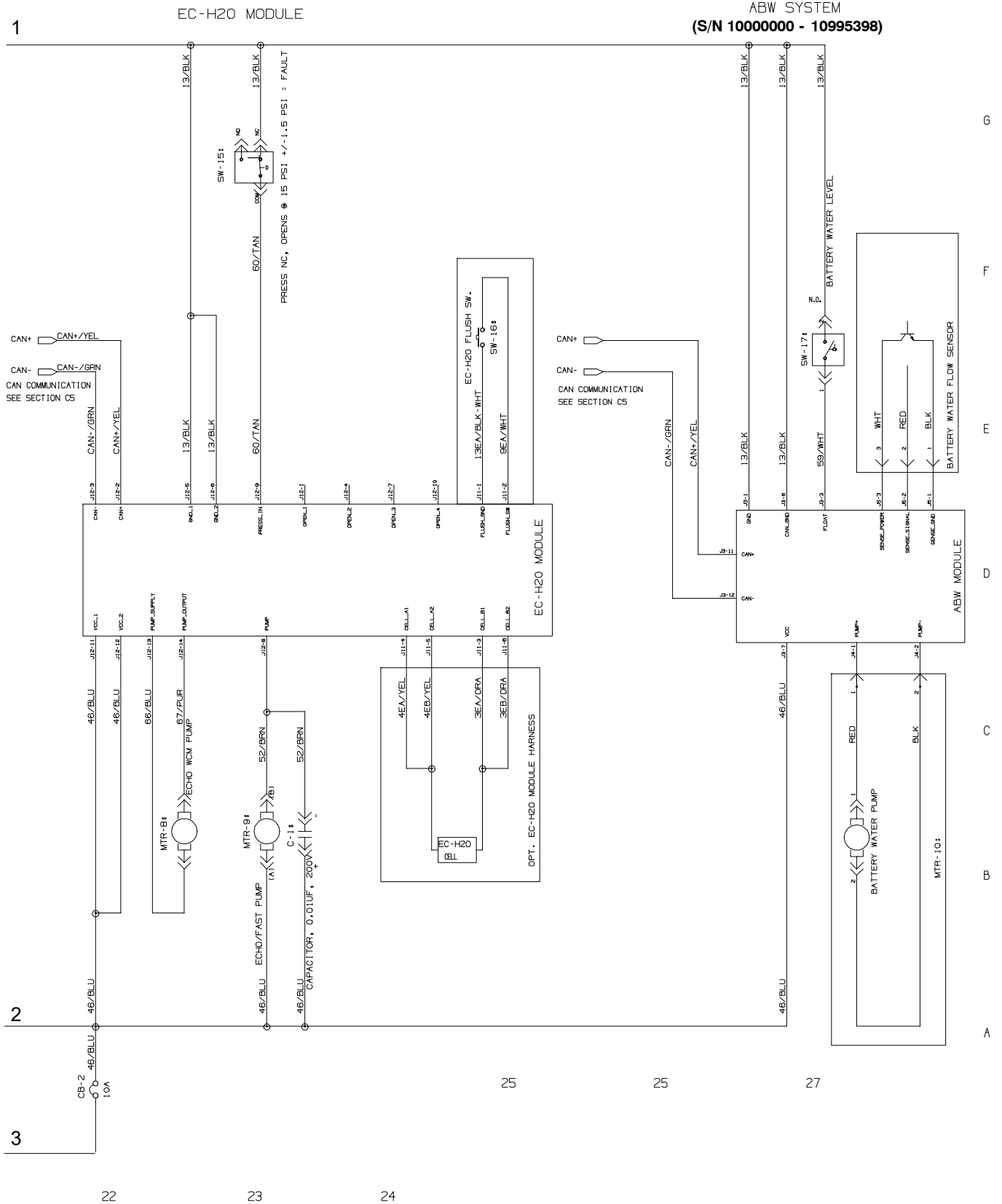
ELECTRICAL DIAGRAM (PAGE 3 OF 4)  
(S/N 1000000 - 10995398)

1075014\_00



ELECTRICAL DIAGRAM (PAGE 4 OF 4)  
(S/N 1000000 - 10995398)

1075014\_00

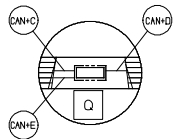




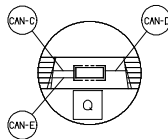


## ELECTRICAL HARNESS, MAIN (PAGE 3 OF 4) (S/N 10995399 - 20000000)

1076837\_00



DETAIL CAN3



DETAIL CAN4

WIRE NO.	POS.
39/WHT	A
24/YEL	B

TO: LEFT SCRUB MOTOR#2  
LABEL: LEFT SCRUB  
MOTOR #2  
ALL SCRUB HEADS

AN

WIRE NO.	POS.
65/BRN	1
62/BRN	2
63/DRA	3
OPEN	4
22/BRN	5
46K/BLU	6

TO: DET. METERING  
LABEL: DET. METERING

AF

CONTINUED  
ON PAGE 2  
(SHOWN ON BOTH PAGES)

DETAIL B  
- CONTD

DETAIL: 105-2

BUTT THIS SECTION  
OF TAPE UP TO BREAKOUT

DETAIL: 13-5

DETAIL: 46-2

DETAIL C

BUTT THIS SECTION  
OF TAPE UP TO BREAKOUT

DETAIL: 13-4

DETAIL: CAN3, CAN4

DETAIL D

TO: STATIC GND.  
NO LABEL

105

AG

105A

U

TO: STATIC GND.  
NO LABEL.

PROPEL MOTOR  
LABEL(1): PROPEL MOTOR

WIRE NO.	POS.
10/TAN	A
9/WHT	B

TO: ECH20 PRESS. SW.  
LABEL(1):  
ECH20 PRESS. SW.

WIRE NO.	PIN	POS.
13Q/BLK	1	CDM
OPEN	2	N.O.
60/TAN	3	N.C.

TO: ABW PUMP POWER  
LABEL(1):  
ABW PUMP POWER

WIRE NO.	PIN
69/WHT	1
113/BLK-WHT	2

TO: ABW MODULE  
LABEL(1):  
ABW MODULE

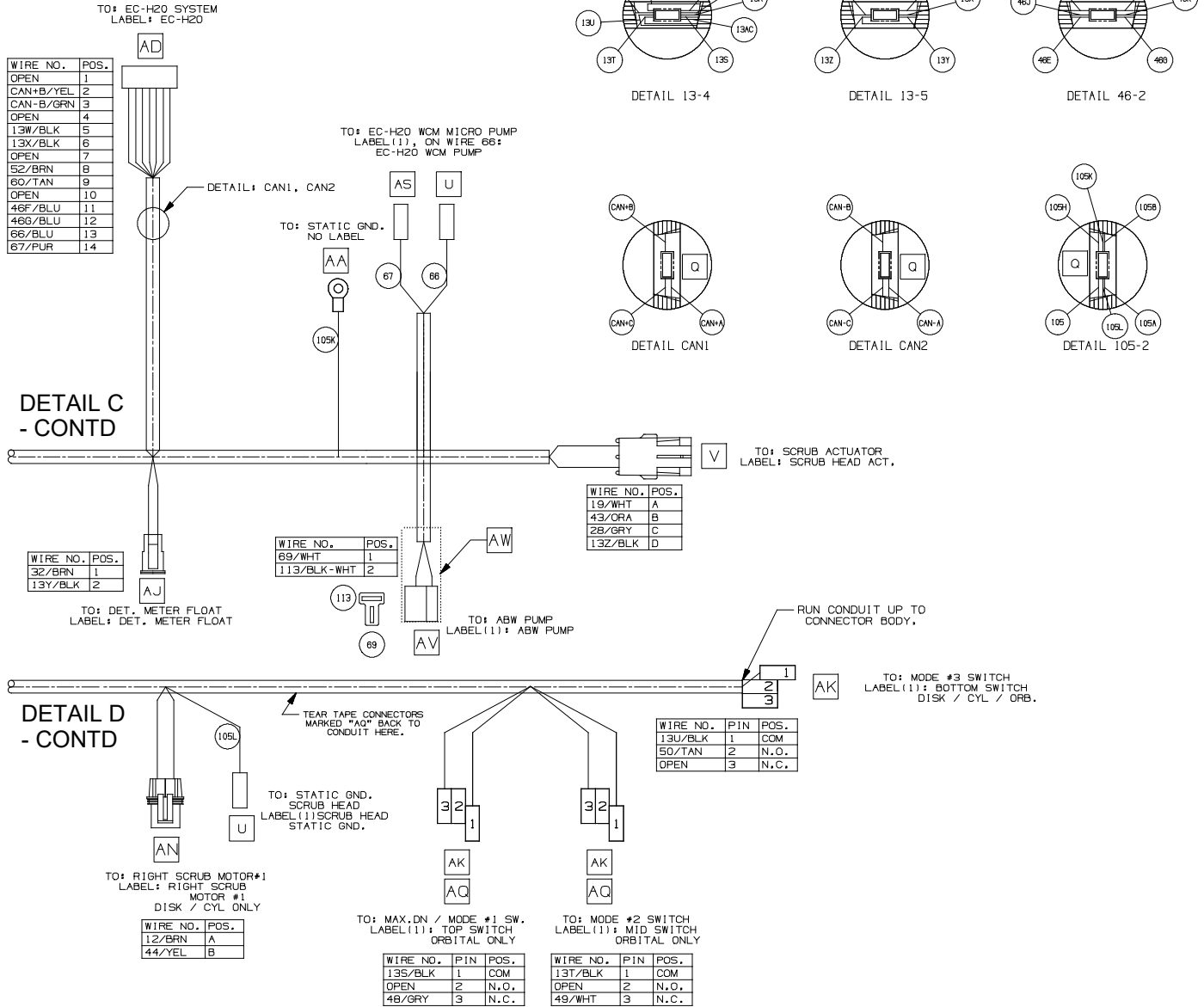
WIRE NO.	PIN
13AC/BLK	1
OPEN	2
OPEN	3
13AD/BLK	4
59/WHT	5
13R/BLK	6
46E/BLU	7
OPEN	8
OPEN	9
OPEN	10
CAN-D/YEL	11
CAN-D/GRN	12

TO: ABW PRESS. SW.  
LABEL(1):  
ABW PRESS. SW.

WIRE NO.	PIN	POS.
59/WHT	1	CDM
OPEN	2	N.O.
13AB/BLK	3	N.C.

ELECTRICAL HARNESS, MAIN (PAGE 4 OF 4)  
(S/N 10995399 - 2000000)

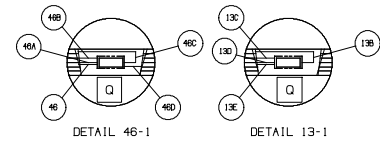
1076837\_00



Part No.	Serial Number	Description	Qty.
1076837	(10995399- 2000000 )	Harness, Main, Ele [T500]	1

ELECTRICAL HARNESS, MAIN (PAGE 1 OF 4)  
(S/N 1000000 - 10995398)

1074829\_01



WIRE NO.	POS.	WIRE NO.	POS.
SHIELD1:GREEN1	1	CABLE:NATURAL	1
OPEN	2	33/ORA	2
CABLE:RED	3	40/TAN	3
CABLE:BLACK	4	28B/GRY	4
		16/BLU	5
		OPEN	6
		11/PNK	7
		35/GRN	8
		34/YEL	9
		OPEN	10
		41/PNK	11
		36/BLU	12
		37/PUR	13
		OPEN	14

CONN. J2: LEFT MTR #2  
LABEL: J2

WIRE NO.	POS.
39/WHT	1
24/YEL	2

CONN. J3: RIGHT MTR #1  
LABEL: J3

WIRE NO.	POS.
44/YEL	1
12/BRN	2

CONN. J4

WIRE NO.	POS.
42/BRN	1
23/ORA	2

CONN. J6

WIRE NO.	POS.
46C/BLU	1
50/TAN	2
48/GRY	3
32/BRN	4
28A/GRY	5
49/WHT	6
OPEN	7
26/BLU	8
OPEN	9
13C/BLK	10

TO: BASE CONTROLLER  
NO LABELS

CONN. J12

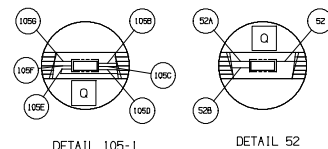
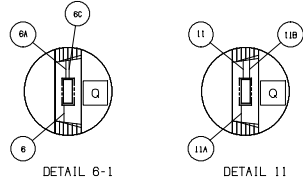
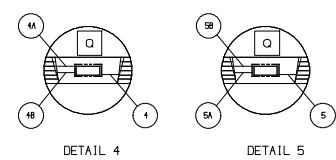
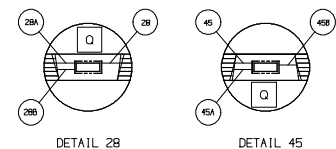
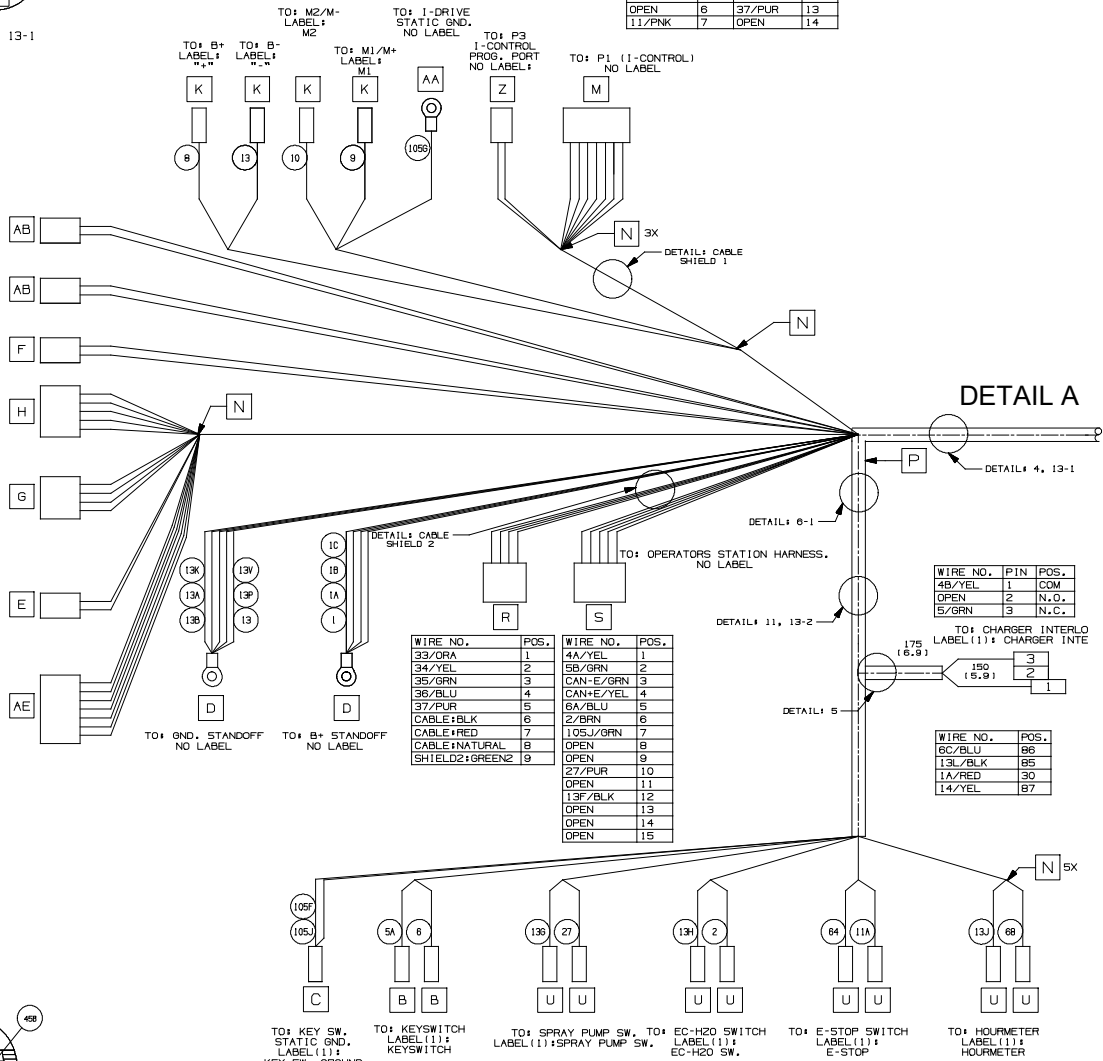
WIRE NO.	POS.
16/BLU	1
64/YEL	2
40/TAN	3
41/PNK	4
OPEN	5
OPEN	6
11B/PNK	7
13D/BLK	8

CONN. J13

WIRE NO.	POS.
CAN-A/YEL	1
CAN-A/GRN	2
OPEN	3
OPEN	4

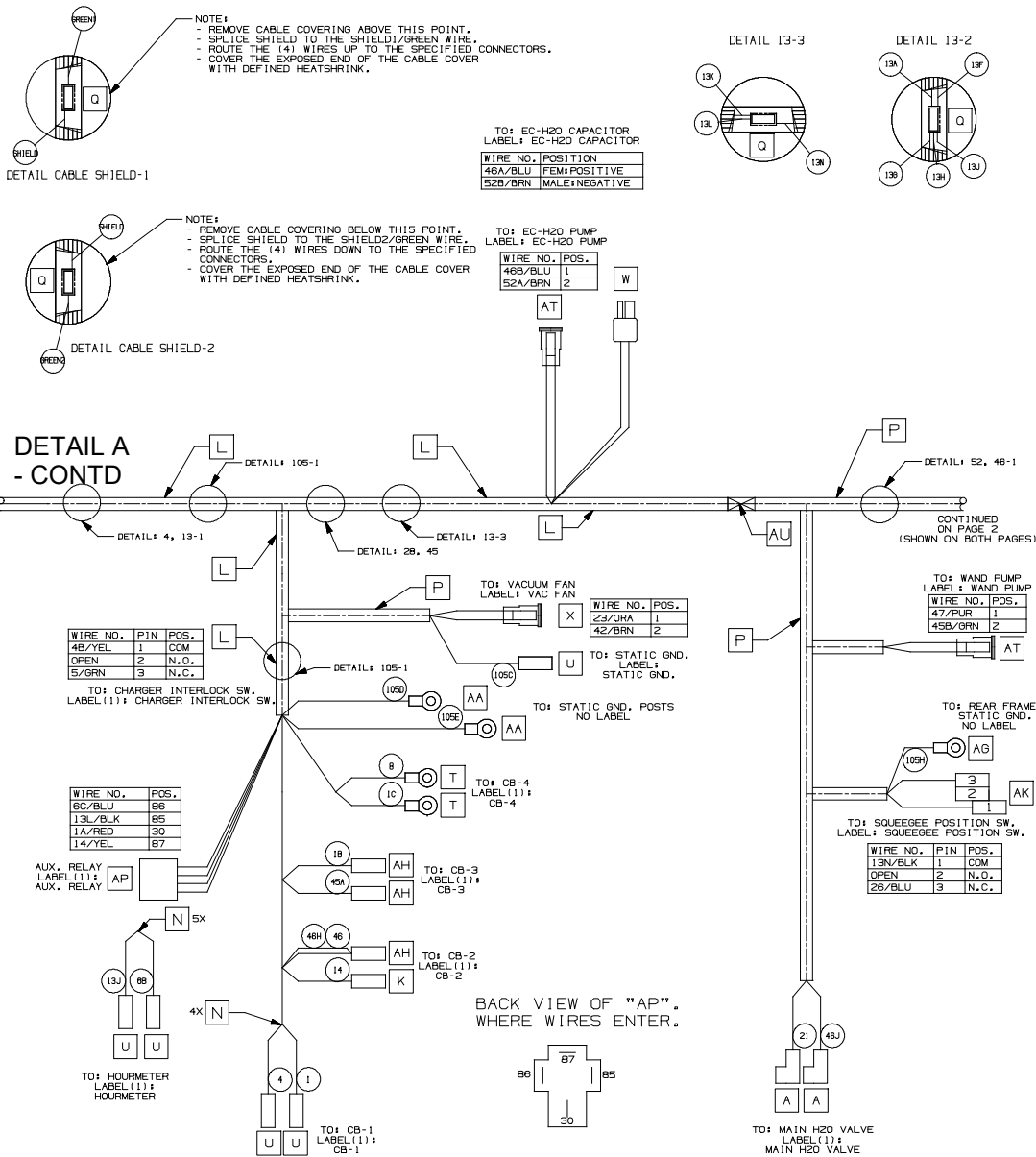
CONN. J7

WIRE NO.	POS.
48H/BLU	1
21/PNK	2
19/WHT	3
43/ORA	4
OPEN	5
22/BRN	6
OPEN	7
13E/BLK	8
47/PUR	9
45/GRN	10
68/GRY	11
65/GRN	12
62/BRN	13
63/ORA	14



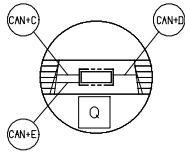
ELECTRICAL HARNESS, MAIN (PAGE 2 OF 4)  
(S/N 1000000 - 10995398)

1074829\_01

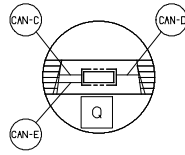


## ELECTRICAL HARNESS, MAIN (PAGE 3 OF 4) (S/N 10000000 - 10995398)

1074829\_01



DETAIL CAN3



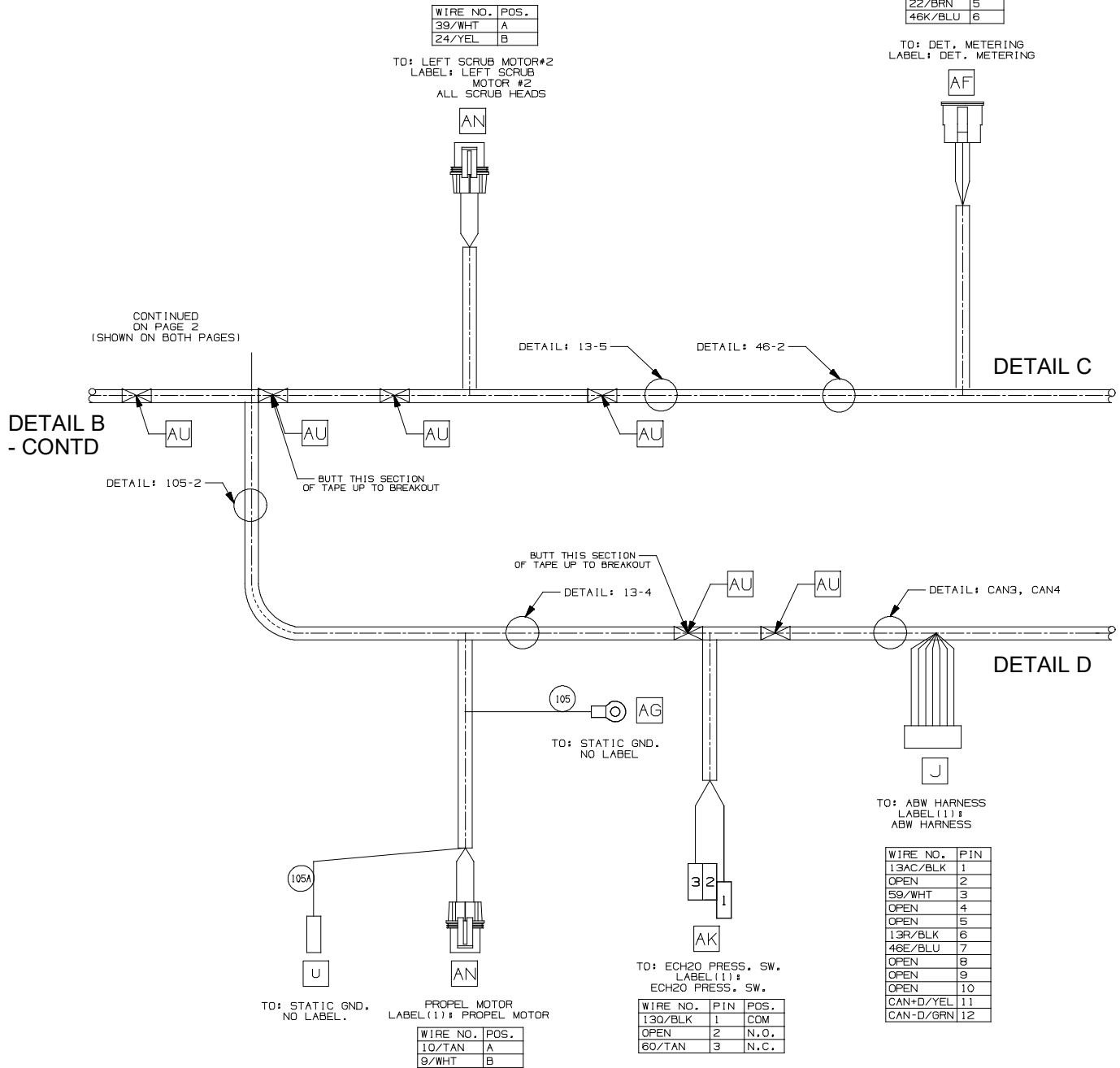
DETAIL CAN4

WIRE NO.	POS.
39/WHT	A
24/YEL	B

TO: LEFT SCRUB MOTOR#2  
LABEL: LEFT SCRUB  
MOTOR #2  
ALL SCRUB HEADS

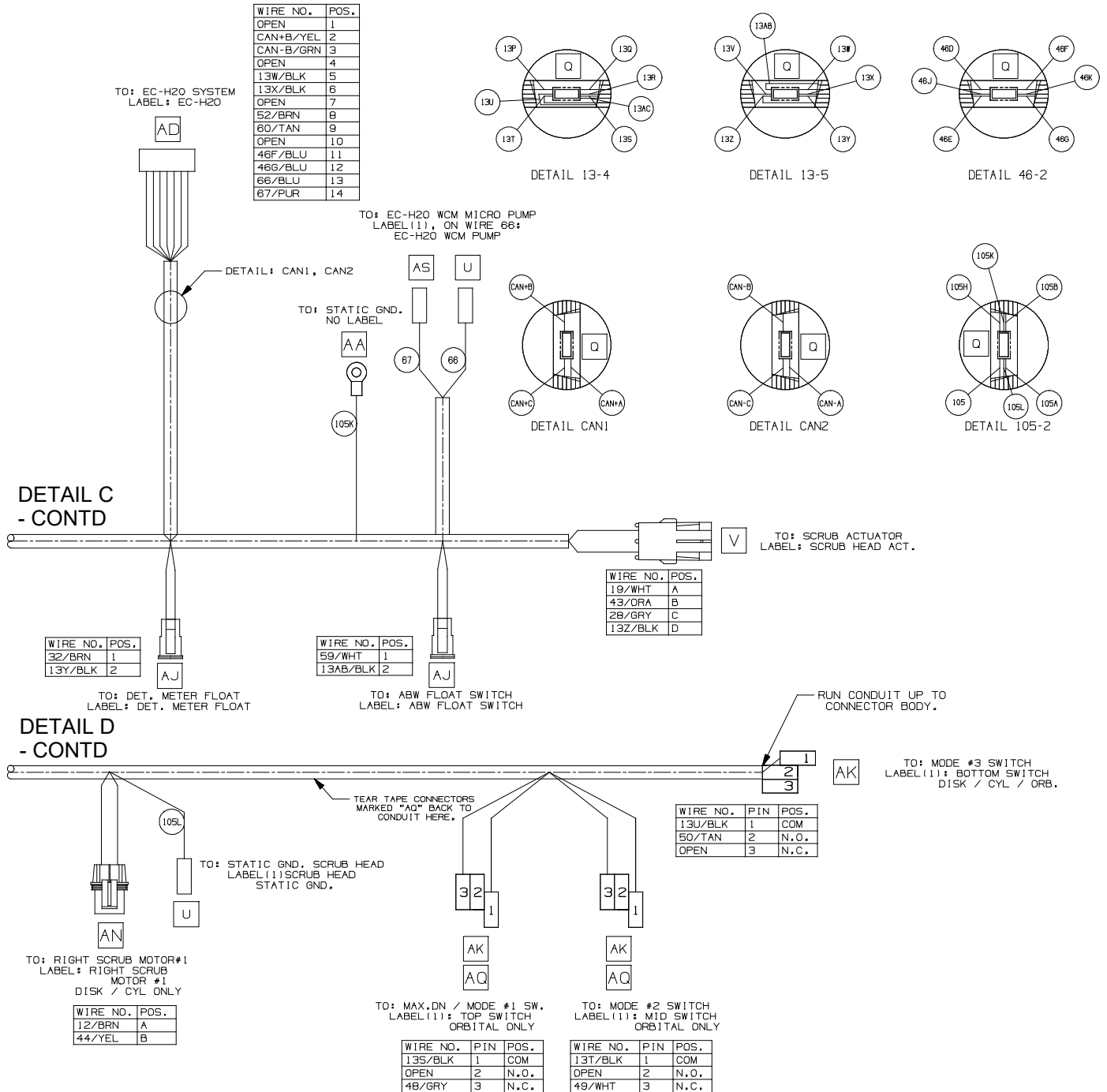
WIRE NO.	POS.
65/GRN	1
62/BRN	2
63/DRA	3
OPEN	4
22/BRN	5
46K/BLU	6

TO: DET. METERING  
LABEL: DET. METERING



**ELECTRICAL HARNESS, MAIN (PAGE 4 OF 4)**  
**(S/N 10000000 - 10995398)**

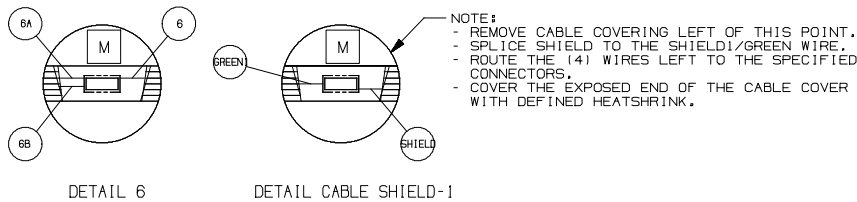
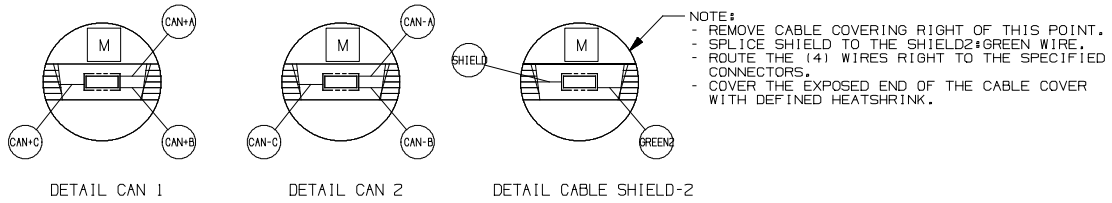
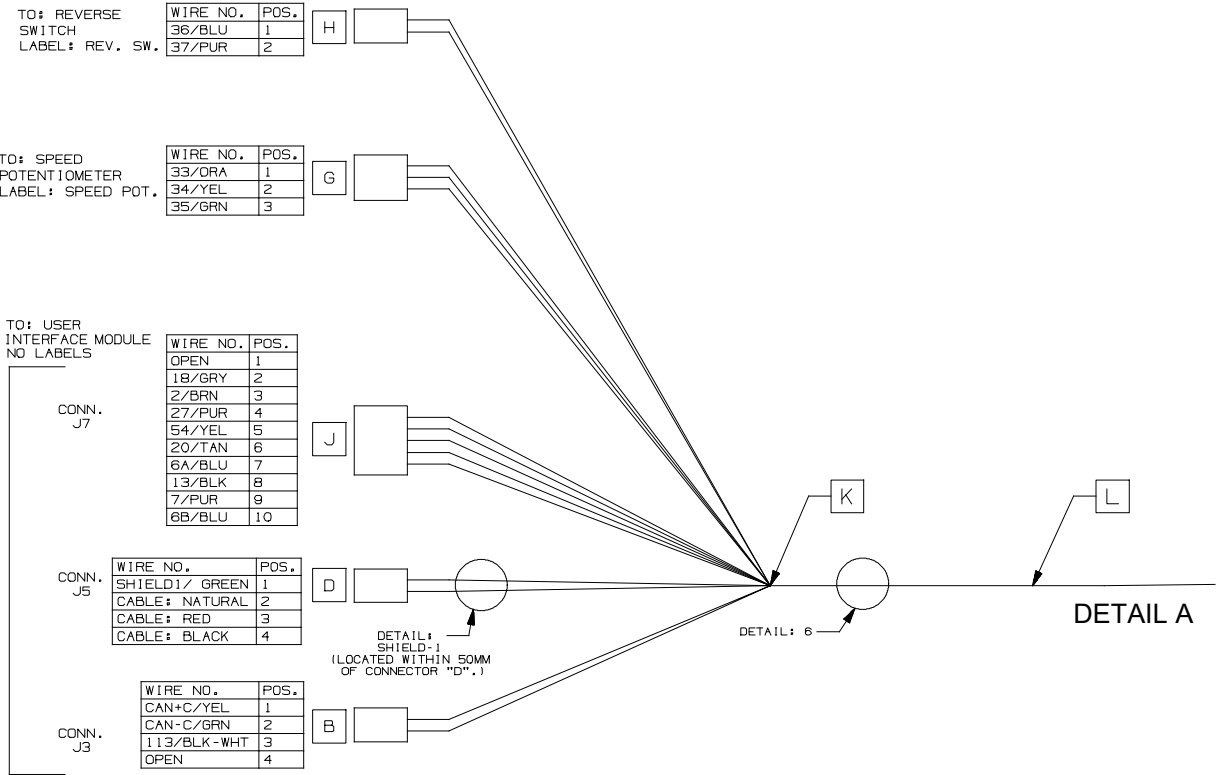
1074829\_01



Part No.	Serial Number	Description	Qty.
1074829	(10000000- 10995398 )	Harness, Main, Ele [T500]	1

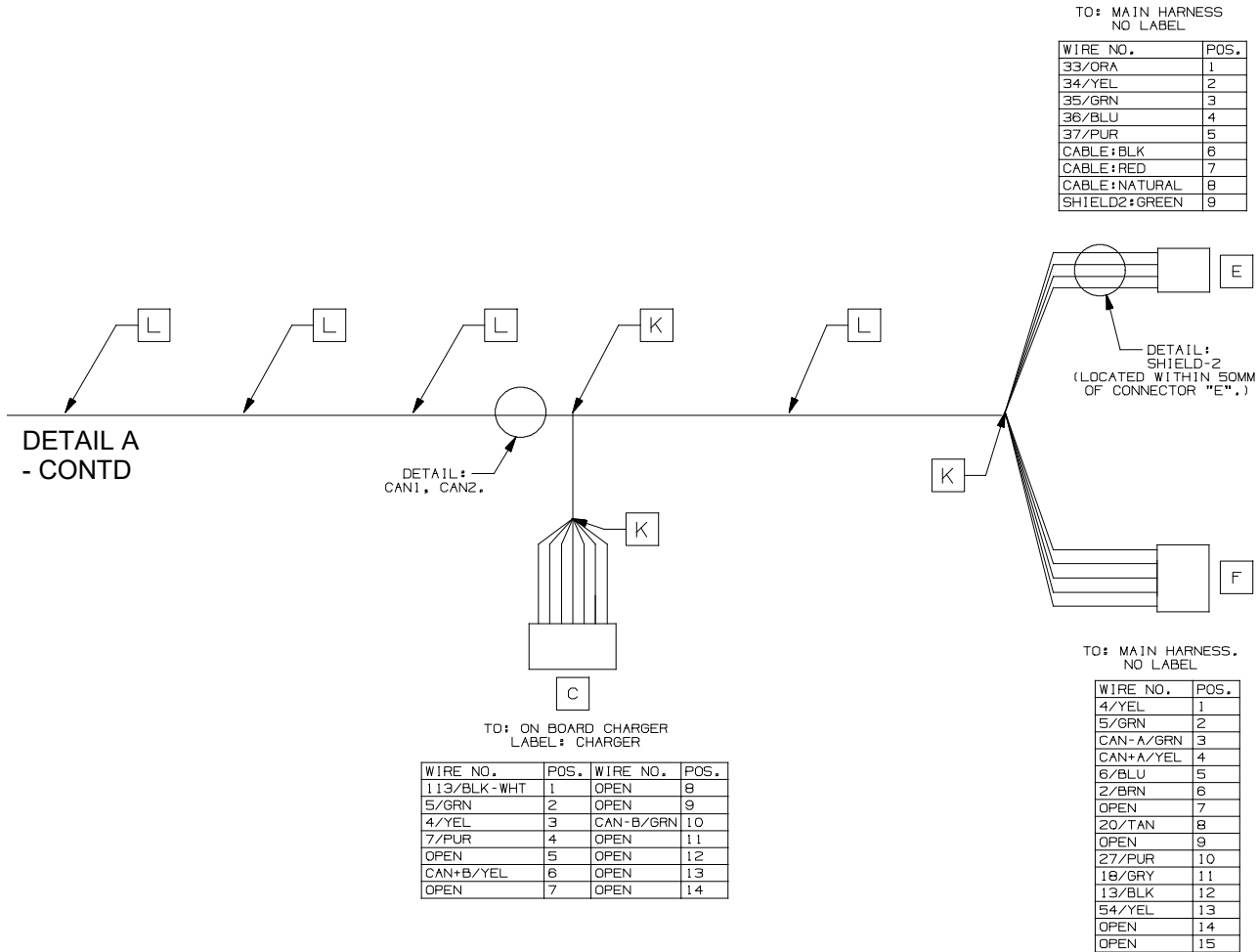
ELECTRICAL HARNESS, OPERATOR STATION

1075035\_A



ELECTRICAL HARNESS, OPERATOR STATION

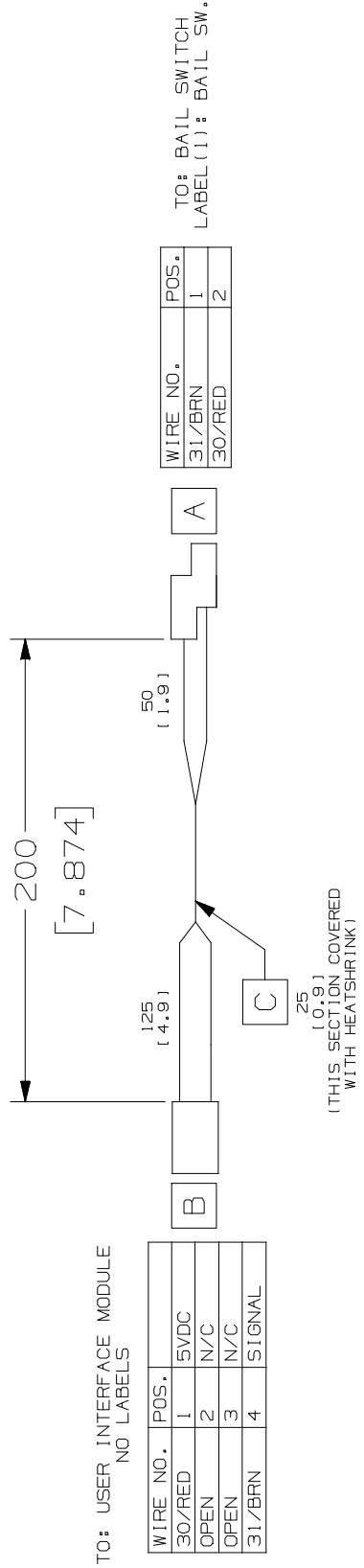
1075035\_A



Part No.	Serial Number	Description	Qty.
1075035	(10000000- 20000000 )	Harness, Ele [Op. Station, T500]	1

ELECTRICAL HARNESS, BAIL SWITCH

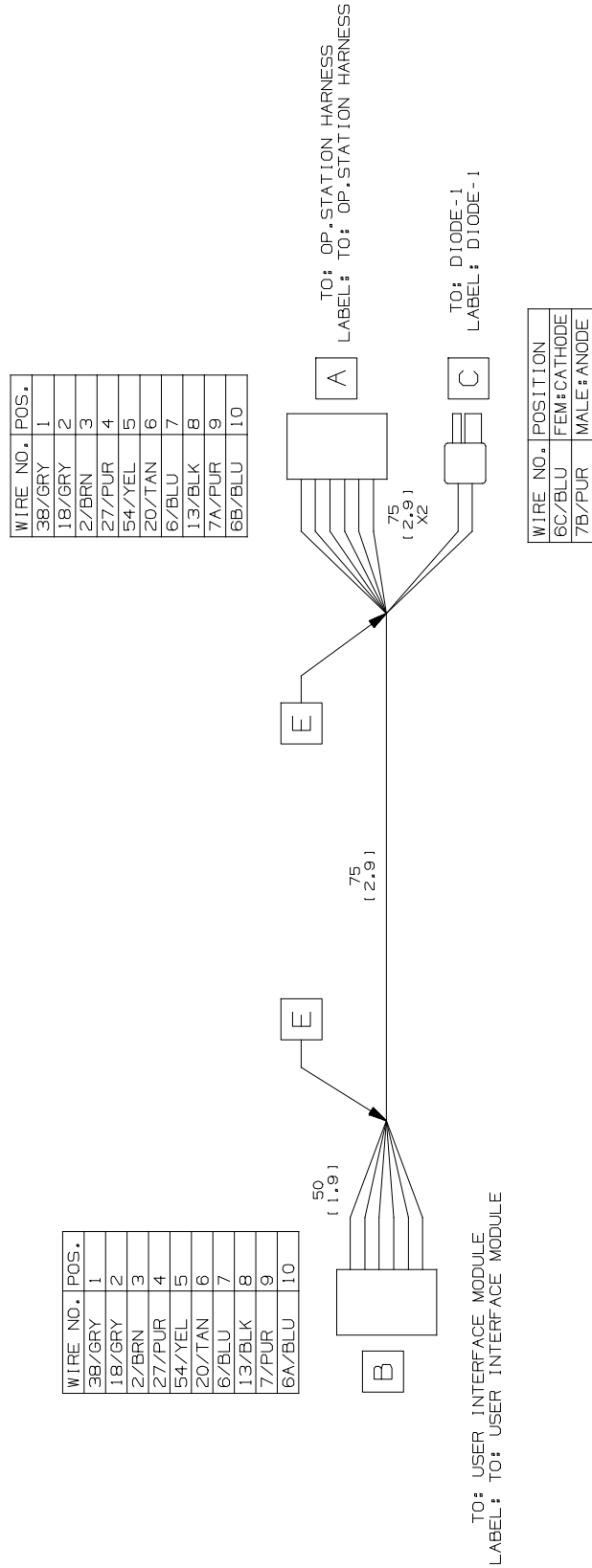
1072524\_00



Part No.	Serial Number	Description	Qty.
1072524	(10000000-20000000 )	Harness, Ele [Bail Switch]	1

ELECTRICAL HARNESS, ADAPTER (TELEMETRY MODELS)

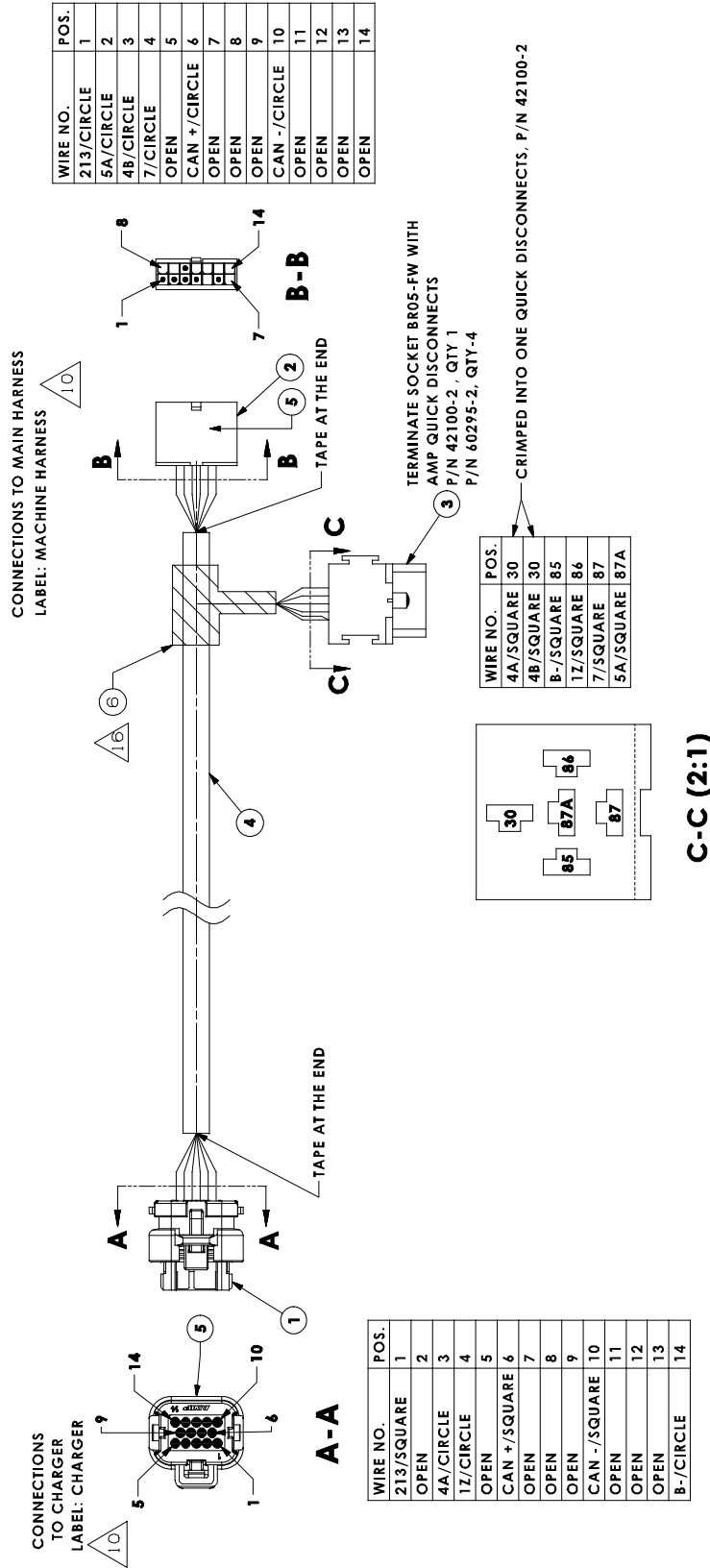
1075195



Part No.	Serial Number	Description	Qty.
1075195	(10000000- 20000000 )	Harness, Ele, Adaptor [T300, Amii]	1
222290	(10000000- 20000000 )	Diode, Ele, Plug	1

ELECTRICAL HARNESS, RELAY ADAPTER (TPPL BATTERY OPTION)

1076909\_00

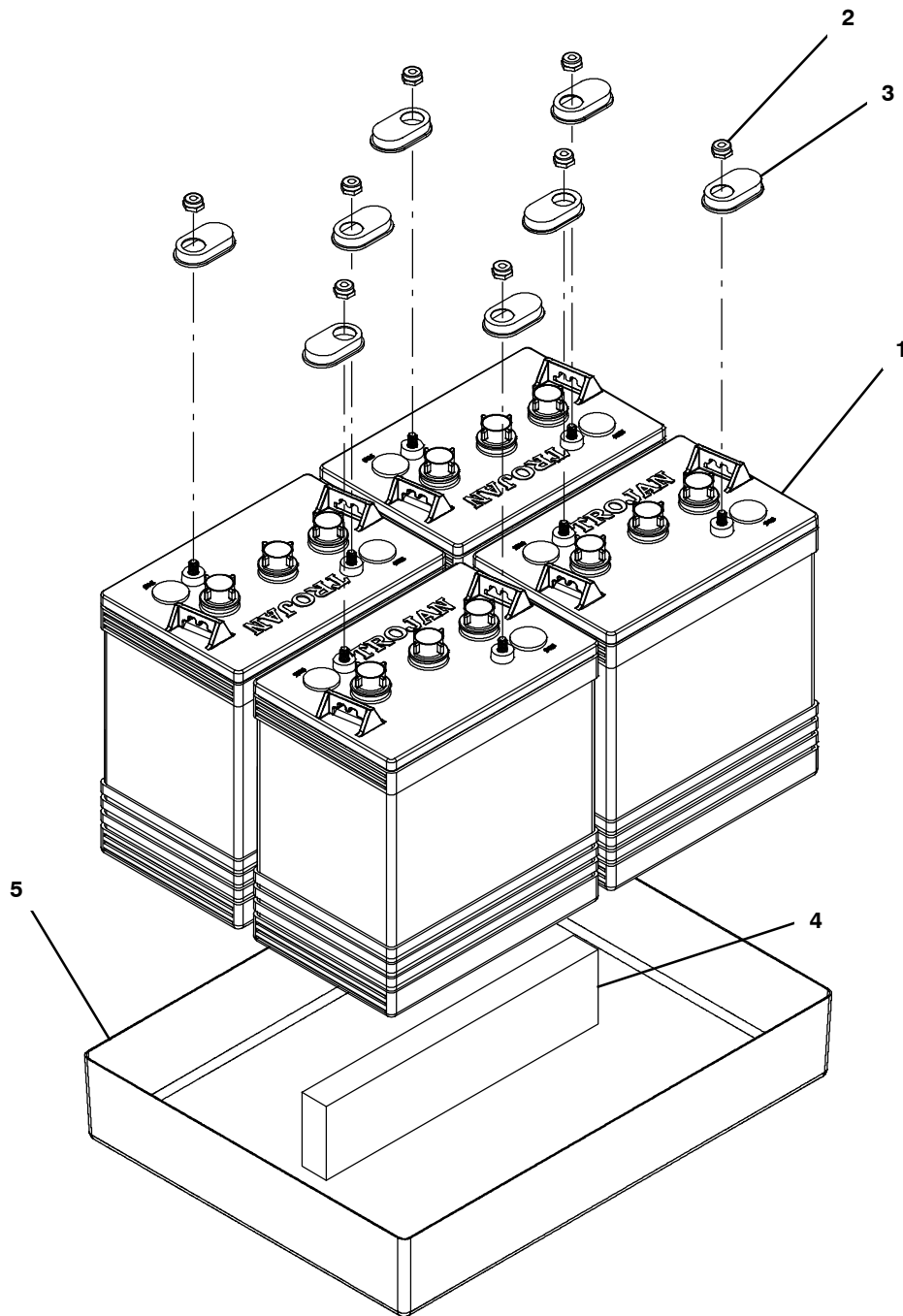


WIRE ID	GAUGE	COLOR	WIRE TYPE	CIRCLE TERMINAL		SQUARE TERMINAL	
				MANUFACTURER	P/N	MANUFACTURER	P/N
1Z	18	ORA	SEE NOTE 13	AMPSEAL	770854-1	AMP	60295-2
4A	20	YEL		AMPSEAL	770854-1	AMP	42100-2
4B	20	YEL		MOLEX	39000040	AMP	60295-2
5A	20	GRN		MOLEX	39000040	AMP	60295-2
7	20	PUR		MOLEX	39000040	AMP	60295-2
213	18	BLK-WHT		MOLEX	39000040	AMPSEAL	770854-1
CAN +	20	YEL		MOLEX	39000040	AMPSEAL	770854-1
CAN -	20	GRN	MOLEX	39000040	AMPSEAL	770854-1	
B-	18	BLK		AMPSEAL	770854-1	AMP	60295-2

Part No.	Serial Number	Description	Qty.
1076909	(10995399-2000000 )	Harness, Ele, Adapter, Relay	1

BATTERY GROUP, WET 225AH

355452



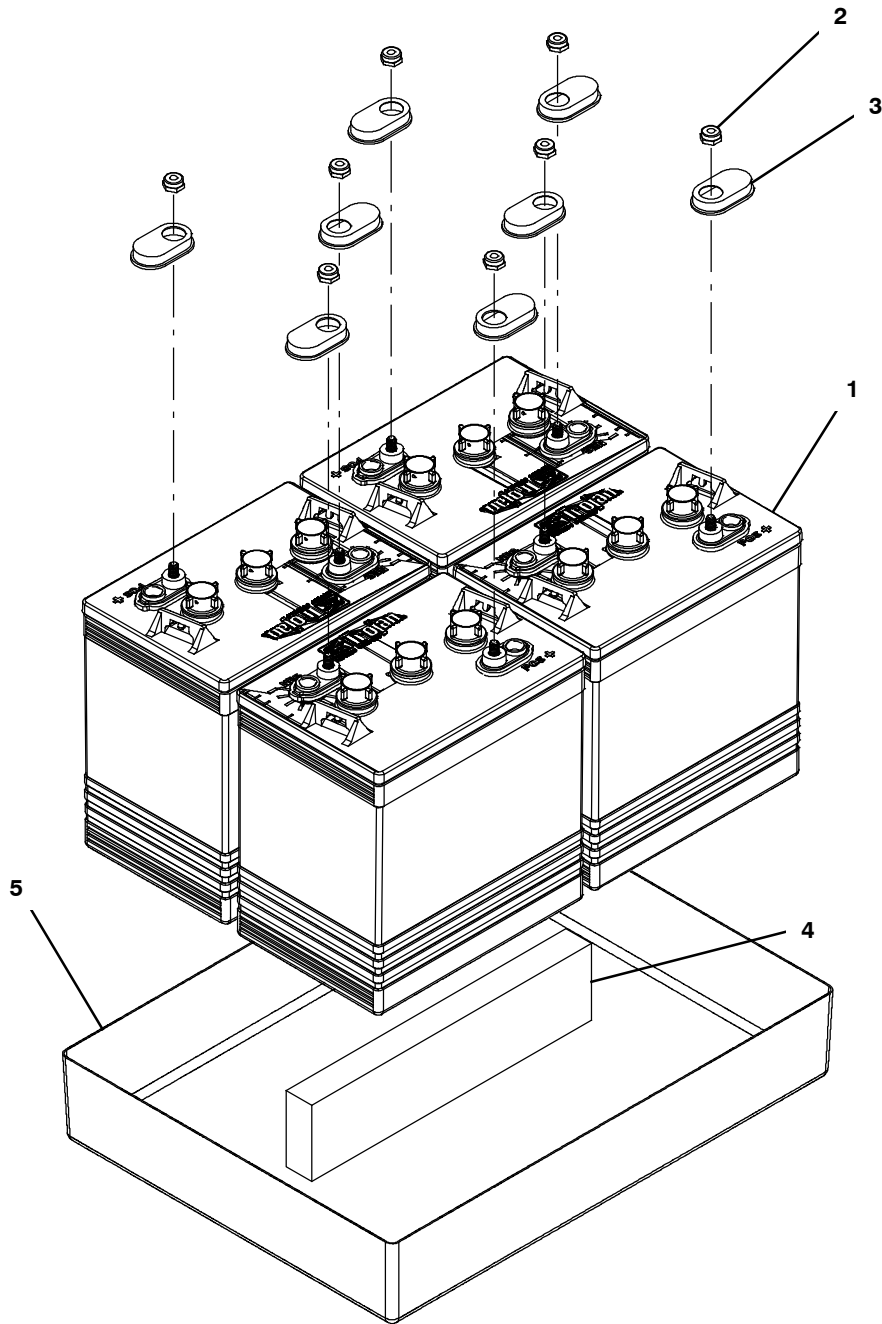
Ref.	Part No.	Serial Number	Description	Qty.
▽	1	10155	(10000000- 20000000 ) Battery, Wet, 06vdc	4
▲	2	87435	(10000000- 20000000 ) Nut, Hex, Flexlock, .31- 18	2
	3	1041030	(10000000- 20000000 ) Cap, Battery, Black [For 155ah]	8
	4	630375	(10000000- 20000000 ) Spacer, Battery, Foam, 1.25 X 3.3 X 13.7	1
	5	1222318	(10000000- 20000000 ) Tray, Battery, Trimmed [T500, Thick]	1

▽ ASSEMBLY

▲ INCLUDED IN ASSEMBLY

BATTERY GROUP, WET 260AH

355448



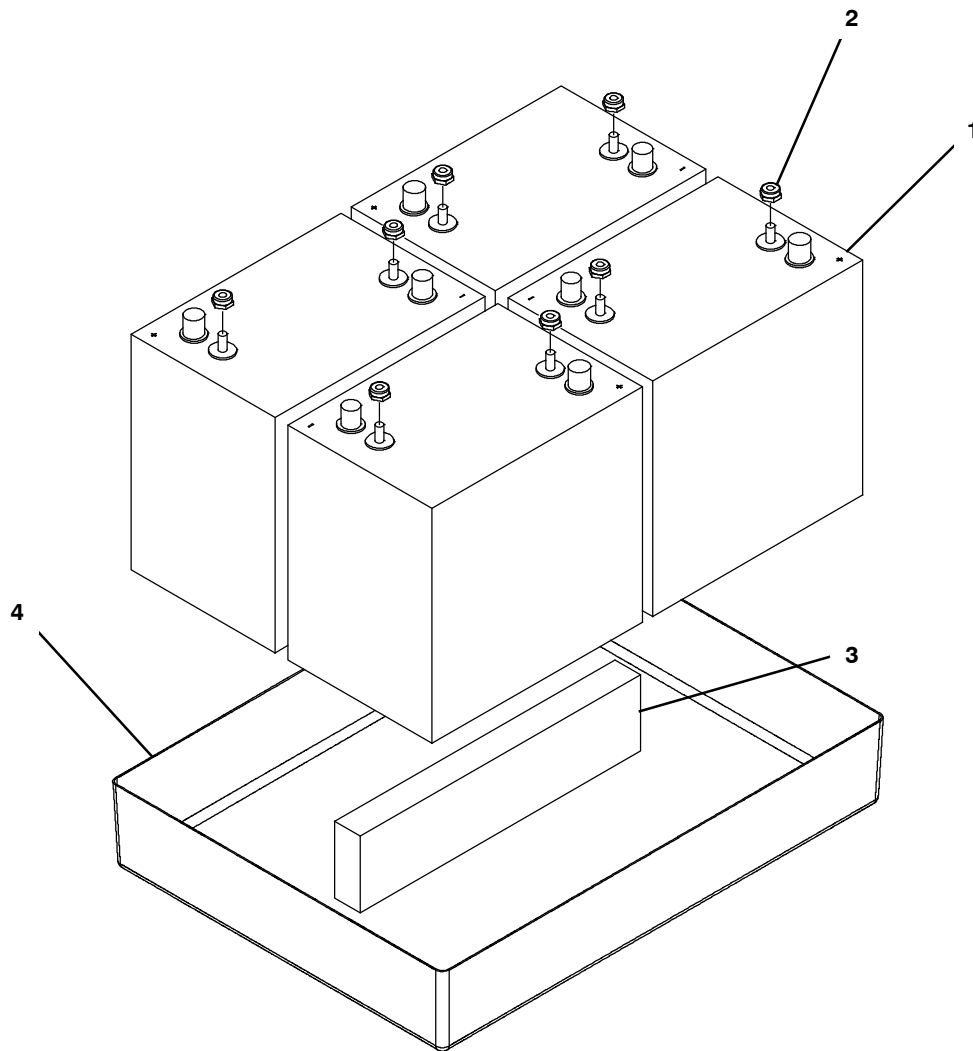
	Ref.	Part No.	Serial Number	Description	Qty.
▽	1	390825	(10000000-20000000 )	Battery, Wet, 06vdc 0244ah	4
▲	2	87435	(10000000-20000000 )	Nut, Hex, Flexlock, .31- 18	2
▲	3	1041030	(10000000-20000000 )	Cap, Battery, Black [For 155ah]	2
	4	630375	(10000000-20000000 )	Spacer, Battery, Foam, 1.25 X 3.3 X 13.7	1
	5	1222318	(10000000-20000000 )	Tray, Battery, Trimmed [T500, Thick]	1

▽ ASSEMBLY

▲ INCLUDED IN ASSEMBLY

BATTERY GROUP, AGM 220AH

355450



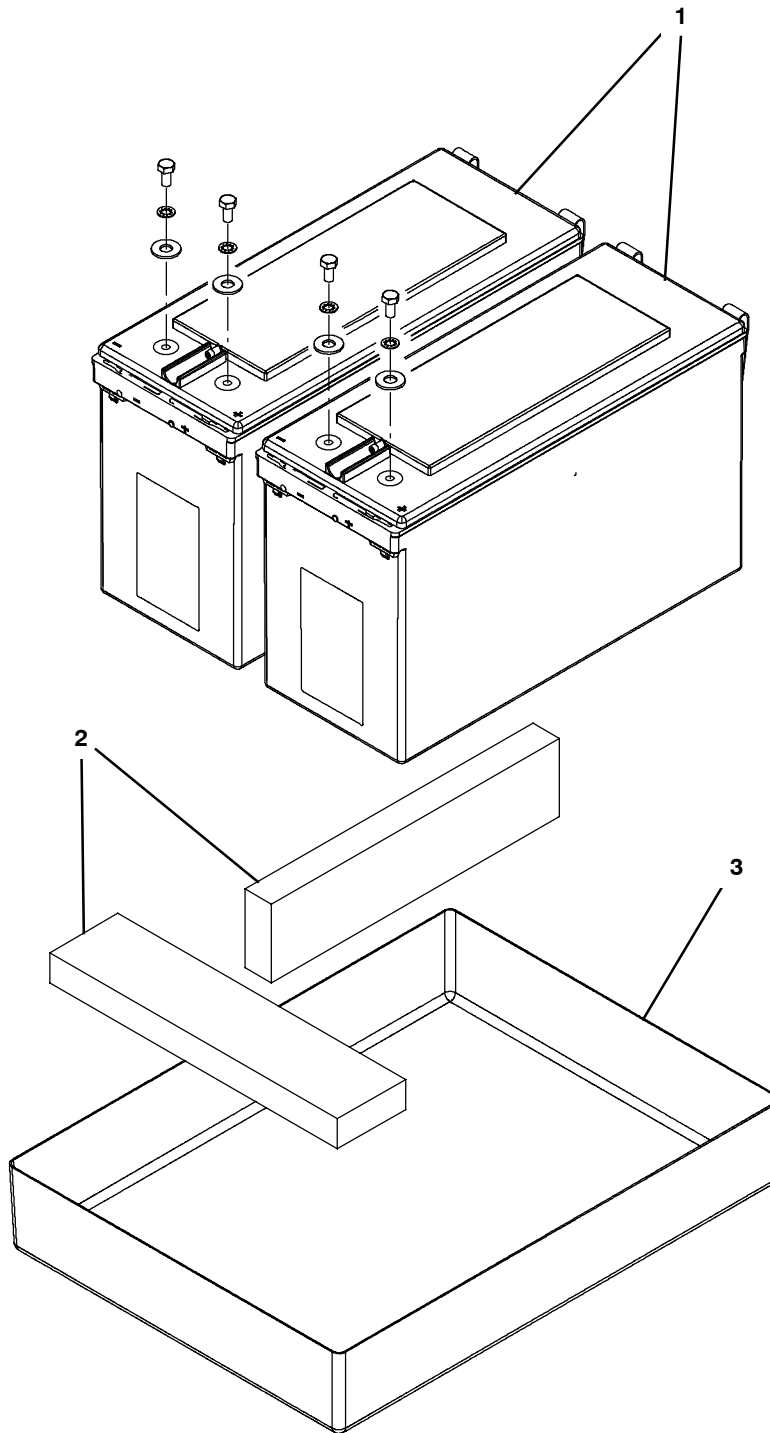
	Ref.	Part No.	Serial Number	Description	Qty.
▽	1	1074042	(10000000- 20000000 )	Battery, Agm, 06vdc, 220ah (Discover)	4
▲	2	87435	(10000000- 20000000 )	Nut, Hex, Flexlock, .31- 18	2
	3	630375	(10000000- 20000000 )	Spacer, Battery, Foam, 1.25 X 3.3 X 13.7	1
	4	1222318	(10000000- 20000000 )	Tray, Battery, Trimmed [T500, Thick]	1

▽ ASSEMBLY

▲ INCLUDED IN ASSEMBLY

BATTERY GROUP, TPPL 183AH C/20

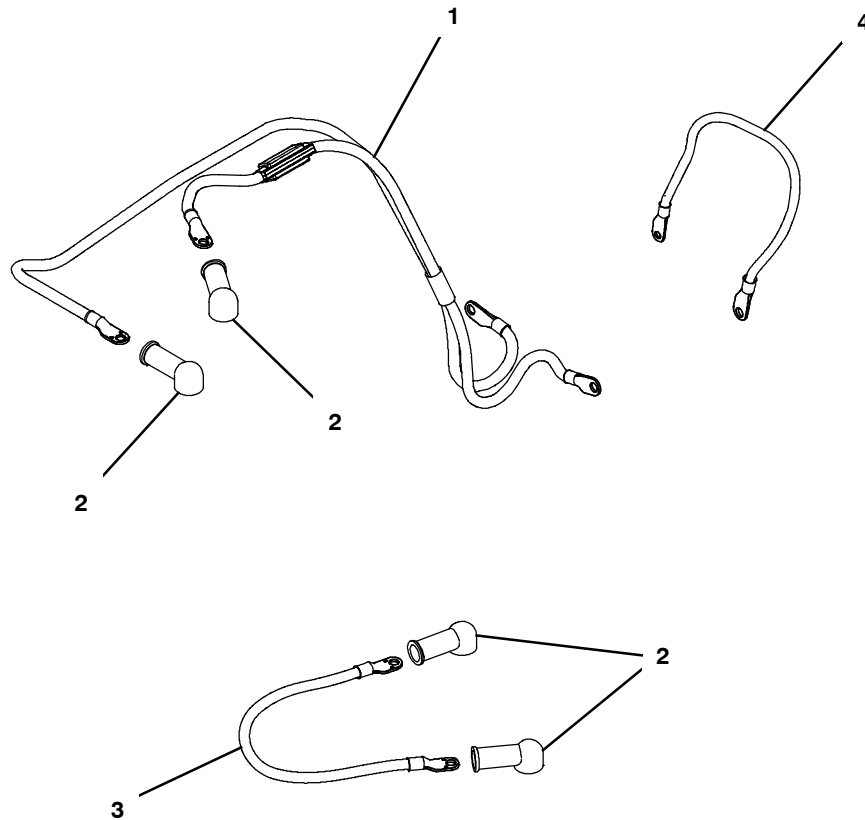
355804



Ref.	Part No.	Serial Number	Description	Qty.
1	1254199	(10000000-20000000 )	Battery, Ttpl, 12vdc, 182ah [C/20]	2
2	630375	(10000000-20000000 )	Spacer, Battery, Foam, 1.25 X 3.3 X 13.7	2
3	1222318	(10000000-20000000 )	Tray, Battery, Trimmed [T500, Thick]	1

BATTERY CABLES GROUP, TPPL BATTERY

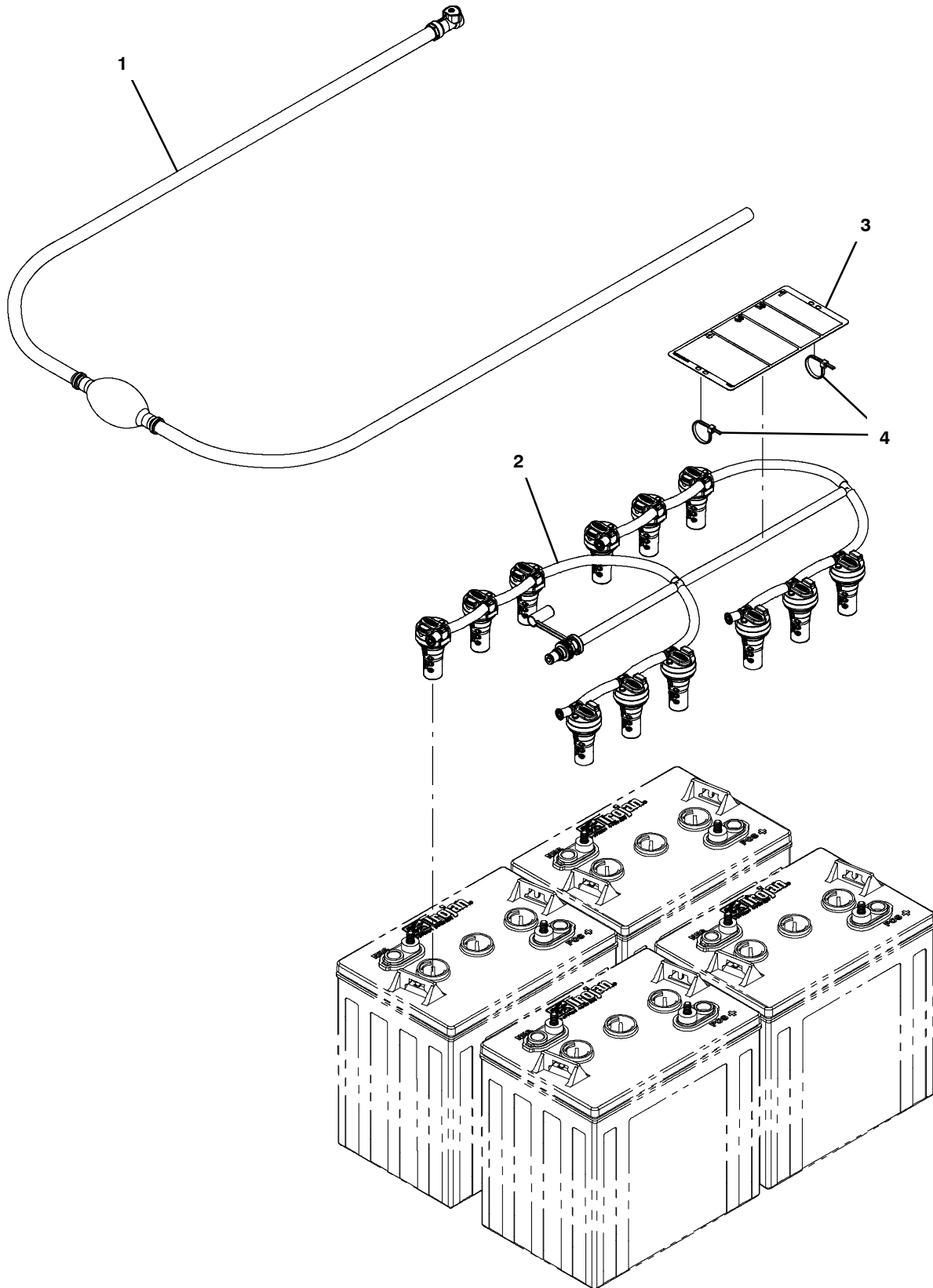
355805



Ref.	Part No.	Serial Number	Description	Qty.
1	1076930	(10000000-20000000 )	Cable, Assy .31ring/.25ring [T500, T500e]	1
2	611221	(10000000-20000000 )	Boot, Terminal, Battery, 25.4mm, Blk	4
3	1076929	(10000000-20000000 )	Cable, 04ga 15.0l Blk, .25ring/.25ring	1
4	1074945	(10000000-20000000 )	Cable, 04ga 15.0l Red [M8 Ring/M6 Ring]	1

MANUAL BATTERY WATERING SYSTEM

355801



**MANUAL BATTERY WATERING SYSTEM**

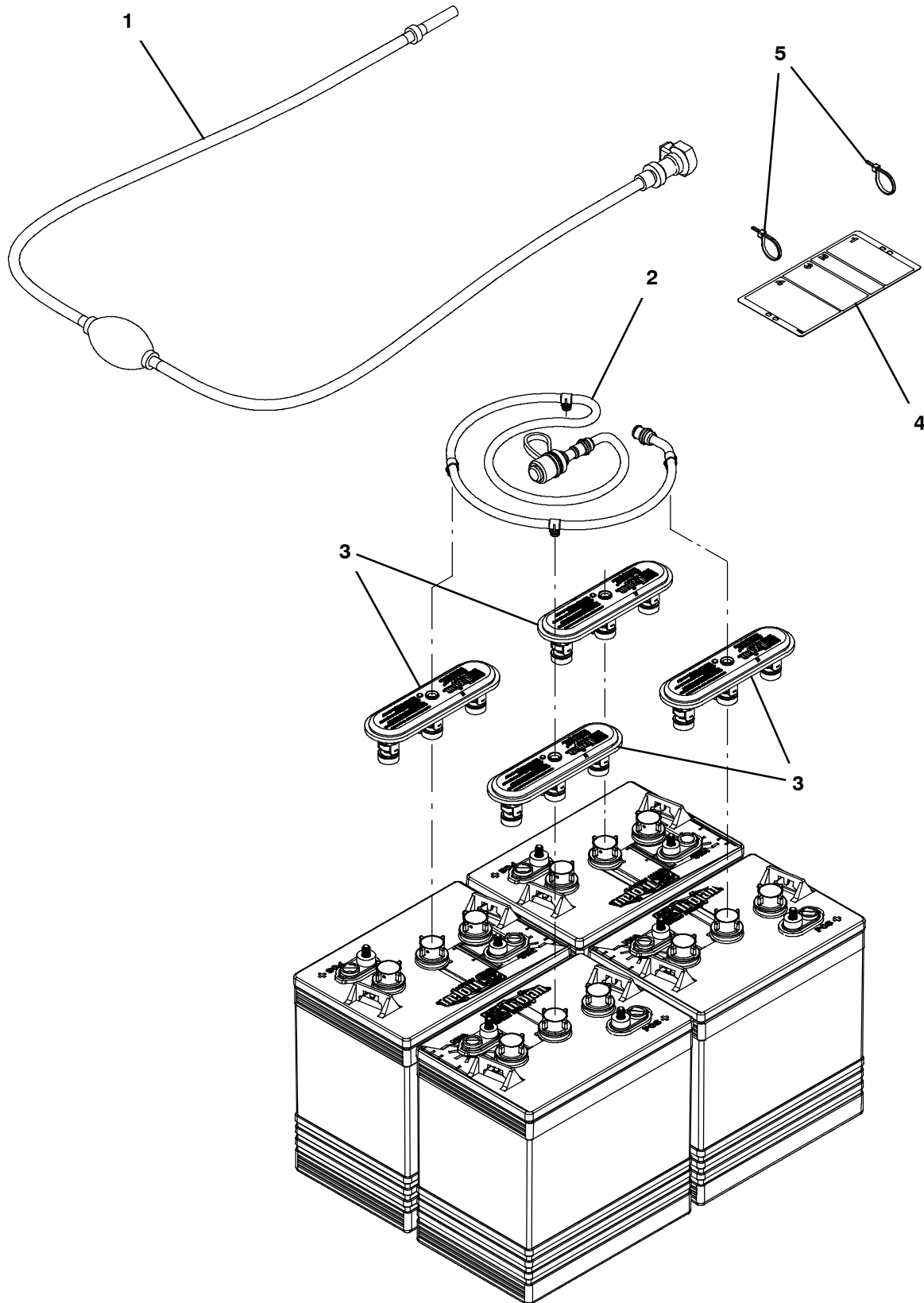
	<b>Ref.</b>	<b>Part No.</b>	<b>Serial Number</b>	<b>Description</b>	<b>Qty.</b>
▽		9021123	(10995399- 20000000 )	Fill Kit, Battery, manual, Ci [Trojan]	1
▲	1	1236295	(10995399- 20000000 )	Pump, Hand, Battery	1
▲	2	9018988	(10995399- 20000000 )	Distribution Kit, Water, Battery	1
▲	3	1253250	(10995399- 20000000 )	Label, Tag, Battery [Bwt Watering]	1
▲	4	130773	(10000000- 20000000 )	Tie, Cable, Nyl, 11.0l, .14w, 3.0 Max. D	2

▽ ASSEMBLY

▲ INCLUDED IN ASSEMBLY

HYDROLINK® MANUAL BATTERY WATERING SYSTEM

355454



**HYDROLINK® MANUAL BATTERY WATERING SYSTEM**

	<b>Ref.</b>	<b>Part No.</b>	<b>Serial Number</b>	<b>Description</b>	<b>Qty.</b>
▽		9010300	(10000000- 10995398 )	Battery Fill Kit, 24v, Ci [Hydrolink] (Replaced By 9021123)	1
▲	1	1058939	(10000000- 10995398 )	Pump Kit, Fill, Battery	1
▲	2	1229544	(10000000- 10995398 )	Tube, Water, Battery, 24vdc [Trojan]	1
▲	3	1204142	(10000000- 10995398 )	Cap, Fill, Battery [Trojan]	4
▲	4	1071084	(10000000- 10995398 )	Label, Tag, Battery [Hydrolink Watering]	1
▲	5	130773	(10000000- 20000000 )	Tie, Cable, Nyl, 11.0l, .14w, 3.0 Max. D	2

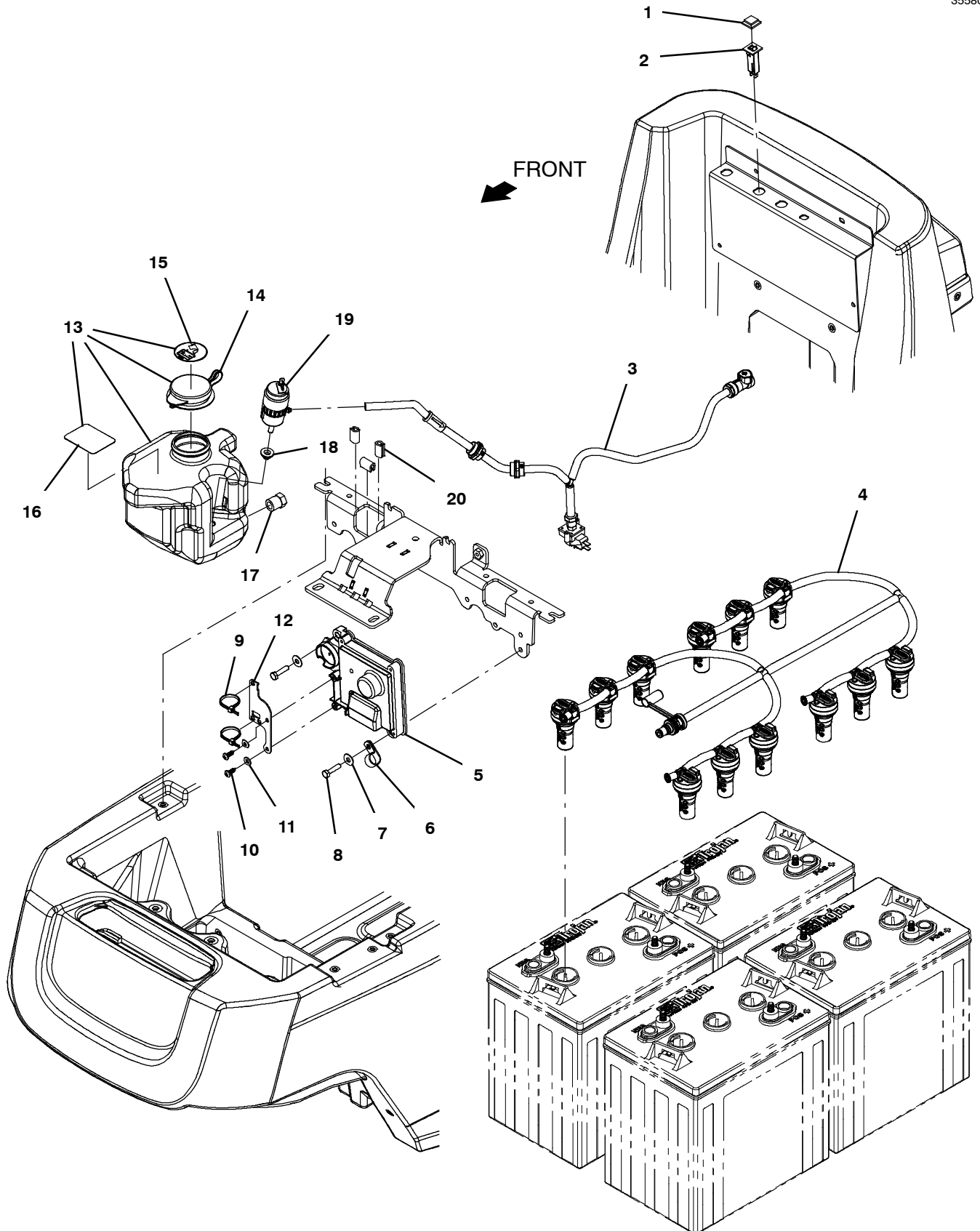
▽ ASSEMBLY

▲ INCLUDED IN ASSEMBLY

HYDROLINK® IS A REGISTERED TRADEMARK OF TROJAN BATTERY COMPANY.

SMART-FILL AUTOMATIC BATTERY WATERING SYSTEM  
(S/N 10995399 - 20000000)

355802



**SMART-FILL AUTOMATIC BATTERY WATERING SYSTEM  
(S/N 10995399 - 20000000)**

Ref.	Part No.	Serial Number	Description	Qty.
▽	9021125*	(10995399-20000000)	Fill Kit, Battery, Auto, Ci [Trojan]	1
▲	1 1064191	(10000000-20000000)	Boot, Circuitbreaker	1
▲	2 1064187	(10000000-20000000)	Circuitbreaker, 10.0a, Resetable	1
▲	3 9018989	(10995399-20000000)	Delivery Kit, Water, Battery	1
▲	4 9018988	(10995399-20000000)	Distribution Kit, Water, Battery	1
▲	5 9016770*	(10995399-20000000)	Controller Kit, Battery, 24vdc, Ci [Abw]	1
▲	6 33584	(10995399-20000000)	Clamp, Cable, Stl, 0.63d X 0.50w, 1hole	1
▲	7 01684	(10000000-20000000)	Washer, Flat, 0.27b 0.69d .05, Ss	2
▲	8 1016005	(10000000-20000000)	Screw, Hex, M6 X 1.00 X 25, NI, FI, Ss	2
▲	9 130773	(10000000-20000000)	Tie, Cable, Nyl, 11.0l, .14w, 3.0 Max. D	2
▲	10 1018155	(10000000-20000000)	Screw, Pan, Phl, M5 X 0.80 X 16, Tcut,Ss	2
▲	11 01683	(10000000-20000000)	Washer, Flat, 10, Ss	2
▲	12 1252827	(10995399-20000000)	Bracket, Mtg, Abw	1
▲▽	13 9021131	(10995399-20000000)	Tank Kit, Battery Fill, Ci [W/ Pump]	1
▲▲	14 1224600	(10000000-20000000)	Cap, Snap, 2.17d [Blue]	1
▲▲	15 1224988	(10995399-20000000)	Label, Automated Battery Watering	1
▲▲	16 1233633	(10995399-20000000)	Label, Detgt [Do Not Add]	1
▲▲	17 630146	(10995399-20000000)	Fitting, Plug, Pm06, Hdpe	1
▲▲	18 1231338	(10995399-20000000)	Grommet, Pump	1
▲▲	19 1231018	(10995399-20000000)	Pump, In- Tank, 13.5vdc 3.5lpm	1
▲	20 1020168	(10000000-20000000)	Molding, Afmkt, Trim, Pvc, .08 .11, 01ft	1

\* Requires Tennant *True* service or an authorized Tennant service provider.

▽ ASSEMBLY

▲ INCLUDED IN ASSEMBLY

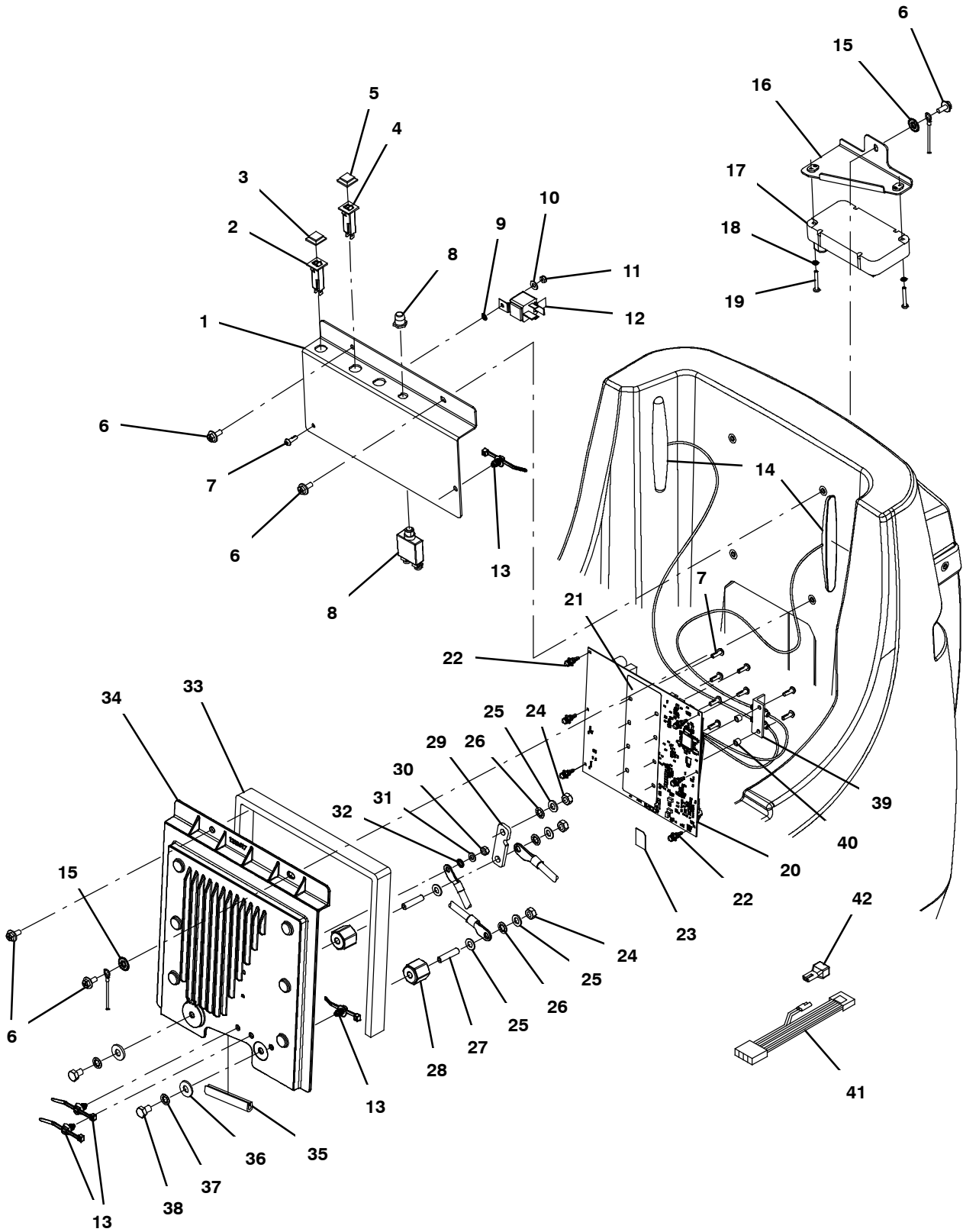


**SMART-FILL AUTOMATIC BATTERY WATERING SYSTEM  
(S/N 10000000 - 10995398)**

Ref.	Part No.	Serial Number	Description	Qty.
1	1221589	(10000000- 10995398 )	Fitting, Plstc, Str, Bm06, Cplg, Fem[HI]	1
2	1006416	(10000000- 10995398 )	Hose, Afrmkt, Pvc, Clr, 0.38id, 03ft	1
3	1225185	(10000000- 10995398 )	Valve, Check, 0002psi Bm04/Bm06	1
4	1006415	(10000000- 10995398 )	Hose, Afrmkt, Pvc, Clr, 0.25id, 03ft	1
5	150713	(10000000- 10995398 )	Fitting, Plstc, Tee, Bm04/Bm04/Bm04	1
6	130773	(10000000- 20000000 )	Tie, Cable, Nyl, 11.0l, .14w, 3.0 Max. D	2
7	1222371	(10000000- 10995398 )	Sensor, Flow, Hall Effect, 5- 24vdc	1
8	1224988	(10000000- 10995398 )	Label, Automated Battery Watering	1
9	1212430	(10000000- 10995398 )	Sensor, Level, Liq, 30watt, Spst	1
10	1224600	(10000000- 20000000 )	Cap, Snap, 2.17d [Blue]	1
11	1252606	(xxxxxxx- 20000000 )	Tank, 2.3l, Trimmed, Se	1
11	1217453	(10000000- xxxxxxxx )	Tank [2.5 Liter] (Replaced By 1252606)	1
12	1233633	(xxxxxxx- 20000000 )	Label, Detgt [Do Not Add]	1
12	1228813	(10000000- xxxxxxxx )	Label, Warning, No Detgt (Replaced By 1233633)	1
13	1006415	(10000000- 10995398 )	Hose, Afrmkt, Pvc, Clr, 0.25id, 03ft	1
14	1212812	(10000000- 10995398 )	Fitting, Plstc, E90, Qf06/Pm06, Swivel	1
15	1224108	(10000000- 10995398 )	Hose, Mold, Bm04/Bm06	1
16	1018155	(10000000- 20000000 )	Screw, Pan, Phl, M5 X 0.80 X 16, Tcut, Ss	2
17	01683	(10000000- 20000000 )	Washer, Flat, 10, Ss	2
18	1228042	(10000000- 10995398 )	Fitting, Plstc, Cap, Bm03 [T500]	1
19	1228043	(10000000- 10995398 )	Strap, Retaining, Cap [T500]	1
20	1224016	(10000000- 10995398 )	Hose, Molded, Bm04/Bm06	1
21	1220042	(10000000- 10995398 )	Pump, Fill, Battery	1
22	1222924	(10000000- 10995398 )	Filter, In- Line, Bm04/Bm04, 100mic, 2.0l	1
23	1016005	(10000000- 20000000 )	Screw, Hex, M6 X 1.00 X 25, NI, FI, Ss	2
24	01684	(10000000- 20000000 )	Washer, Flat, 0.27b 0.69d .05, Ss	2
25	9018008	(10000000- 10995398 )	Kit, Module, Abw, Ci (See Breakdowns) (Replaced By 9016770)	1
26	1020168	(10000000- 20000000 )	Molding, Afrmkt, Trim, Pvc, .08 .11, 01ft	1
27	150407	(10000000- 10995398 )	Fitting, Brs, E90, Pf02/Pm02 [Street]	1
28	1040254	(10000000- 10995398 )	Fitting, Brs, Str, Bm04/Pf02	1
29	1017386	(10000000- 10995398 )	Valve, Vent, Air, Float Type	1
30	1210807	(10000000- 10995398 )	Wire, Tie [W/.25" Fir Tree Clip]	2
31	1204142	(10000000- 10995398 )	Cap, Fill, Battery [Trojan]	4
32	1229544	(10000000- 10995398 )	Tube, Water, Battery, 24vdc [Trojan]	1
33	1064187	(10000000- 20000000 )	Circuitbreaker, 10.0a, Resetable	1
34	1064191	(10000000- 20000000 )	Boot, Circuitbreaker	1
35	1212857	(10000000- 10995398 )	Fitting, Plstc, Str, Qm06/Bm04	1
36	613735	(10000000- 10995398 )	Clamp, Hose, Wir, .40 - .42, Yel	1
37	1243106	(10000000- 10995398 )	Plate, Shield, Switch	1

ELECTRICAL GROUP, TELEMETRY

355443



ELECTRICAL GROUP, TELEMTRY

Ref.	Part No.	Serial Number	Description	Qty.
1	1218761	(10000000-20000000)	Bracket, Mtg [Circuitbreakers- T500]	1
2	1208816	(10000000-20000000)	Circuitbreaker, 04.0a, Resetable	1
3	1064191	(10000000-20000000)	Boot, Circuitbreaker	1
4	1064187	(10000000-20000000)	Circuitbreaker, 10.0a, Resetable	1
5	1064191	(10000000-20000000)	Boot, Circuitbreaker	1
6	1034731	(10000000-20000000)	Screw, Hex, M6 X 1.00 X 16, Sems, Ss	5
7	1205799	(10000000-20000000)	Screw, Btn, M5 X 0.8 X 16, 8.8, NI, Torx	9
8	383729	(10000000-20000000)	Circuitbreaker, 60.0a	1
9	07514	(10000000-20000000)	Washer, Lock, Int, 10, Ss	1
10	01683	(10000000-20000000)	Washer, Flat, 10, Ss	1
11	09739	(10000000-20000000)	Nut, Hex, Lock, M5 X 0.80, NI, Ss	1
12	1228510	(10000000-20000000)	Relay, 24vdc, 80a, Spst No, Plug- In	1
13	1210807	(10000000-20000000)	Wire, Tie [W/.25" Fir Tree Clip]	4
14	1247569	(10997158-20000000)	Antenna, Telem [4g, 36"]	2
14	315724	(10000000-10994157)	Antenna, Telem, 18.0 In [Gprs]	1
15	41140	(10000000-20000000)	Washer, Lock, Int- Ext, 0.25	2
16	1223824	(10000000-20000000)	Bracket Wldt, Mtg, Cntrl, [T300/T300e]	1
17	9015776*	(10000000-20000000)	Drive Module Kit, Ci	1
18	02938	(10000000-20000000)	Washer, Lock, Int, 08, Ss	2
19	33931	(10000000-20000000)	Screw, Pan, Phl, M4 X 0.70 X 30, Ss	2
∇	20	9015787*	(10000000-20000000) Kit, Control Board, Telem, Ci [T500]	1
▲		27964	(10000000-20000000) Strap, Ground, Static, Disposable	1
▲		1071235	(10000000-20000000) Cable [Usb, 2m, A- Male To Mini- B- Male]	1
▲		130773	(10000000-20000000) Tie, Cable, Nyl, 11.0l, .14w, 3.0 Max. D	1
	21	1220930	(10000000-20000000) Circuitboard, Silpad [T500, Main Scrub]	1
	22	1209448	(10000000-20000000) Standoff, Circuitboard, .25	1
	23	9014186	(10000000-20000000) Kit, Telem, Ci [Sim, Usa, T300]	1
	23	9014187	(10000000-20000000) Kit, Telem, Ci [Sim, Intl, T300]	1
	24	41361	(10000000-20000000) Nut, Hex, Std, M8 X 1.25, Brs	6
	25	1209373	(10000000-20000000) Washer, Flat, M8.4b X 16d X 1.6, Brs	3
	26	43952	(10000000-20000000) Washer, Lock, Int, 0.31, Ss	5
	27	607461	(10000000-20000000) Screw, Set, M8 X 1.25 X 35, NI	3
	28	1205345	(10000000-20000000) Stand- Off, Wir, M8, Insulator, Panel	2
	29	1212780	(10000000-20000000) Busbar, 125a 0.188 0.750w 2.638l	2
	30	1061910	(10000000-20000000) Nut, Hex, Std, M6 X 1.00, Brs	1
	31	1061918	(10000000-20000000) Washer, Flat, 0.25b 0.47d .06, Brs	1
	32	07515	(10000000-20000000) Washer, Lock, Int, 0.25, Ss	1
	33	1219045	(10000000-20000000) Gasket, Cover, Circuitboard	1
	34	1234401	(10000000-20000000) Heatsink, Mtg, Circuitboard, Machined	1
	35	1020174	(10000000-20000000) Molding, Afmkt, Trim, Pvc, .08 .11, 03ft	1
	36	01685	(10000000-20000000) Washer, Flat, 0.38b 0.88d .08, Ss	2
	37	32984	(10000000-20000000) Washer, Lock, Int, 0.31	2
	38	386868	(10000000-20000000) Screw, Hex, M8 X 1.25 X 12, Ss	2
	39	1227812	(10000000-20000000) Bracket, Sma Connector	1
	40	1227815	(10000000-20000000) Spacer, Unthreaded, Aluminium	2
	41	1075195	(10000000-20000000) Harness, Ele, Adaptor [T300, Amii]	1
	42	222290	(10000000-20000000) Diode, Ele, Plug	1

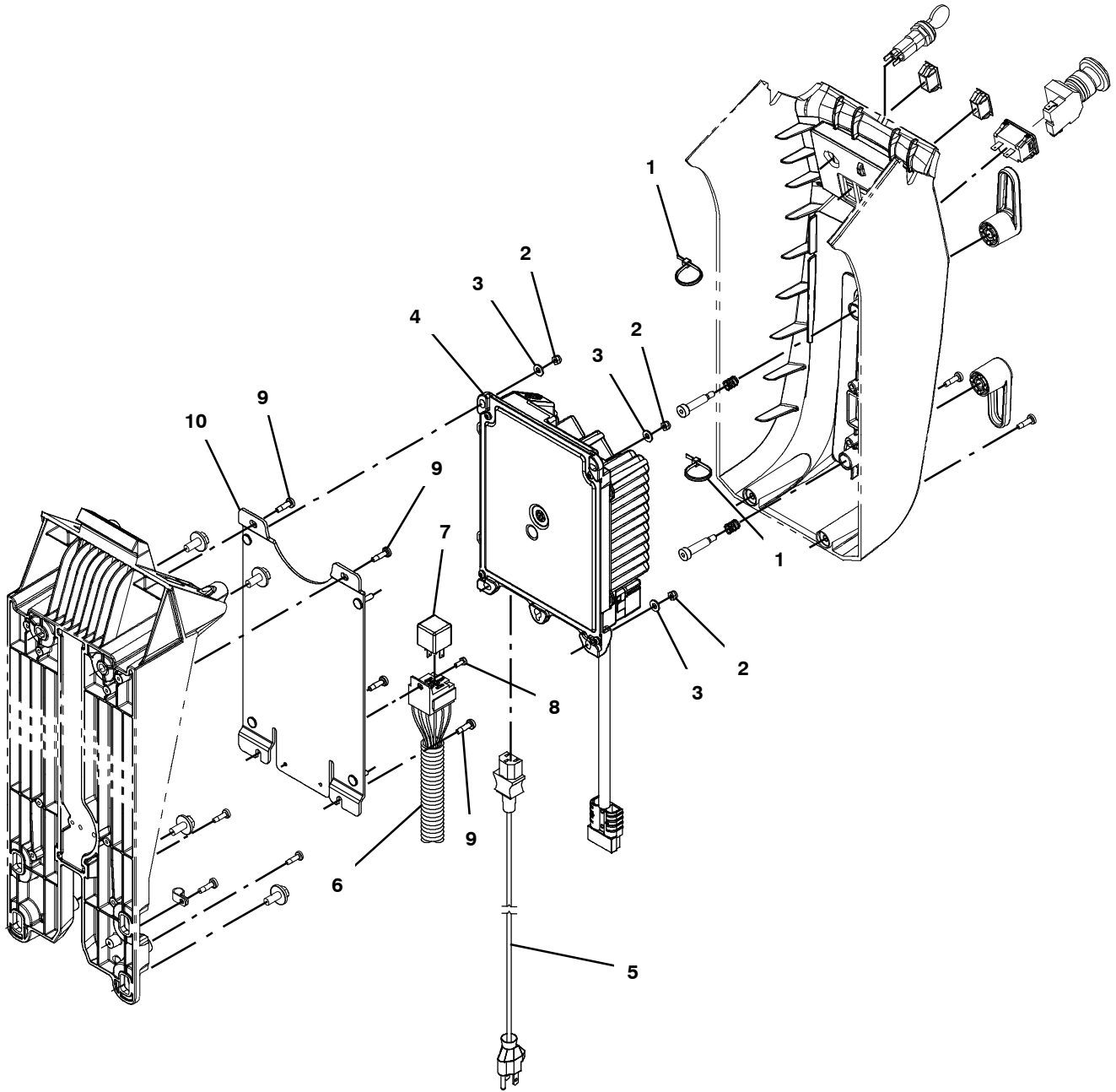
\* Requires Tennant *True* service or an authorized Tennant service provider.

∇ ASSEMBLY

▲ INCLUDED IN ASSEMBLY

LOWER CONSOLE GROUP, ON-BOARD CHARGER, TPPL BATTERY

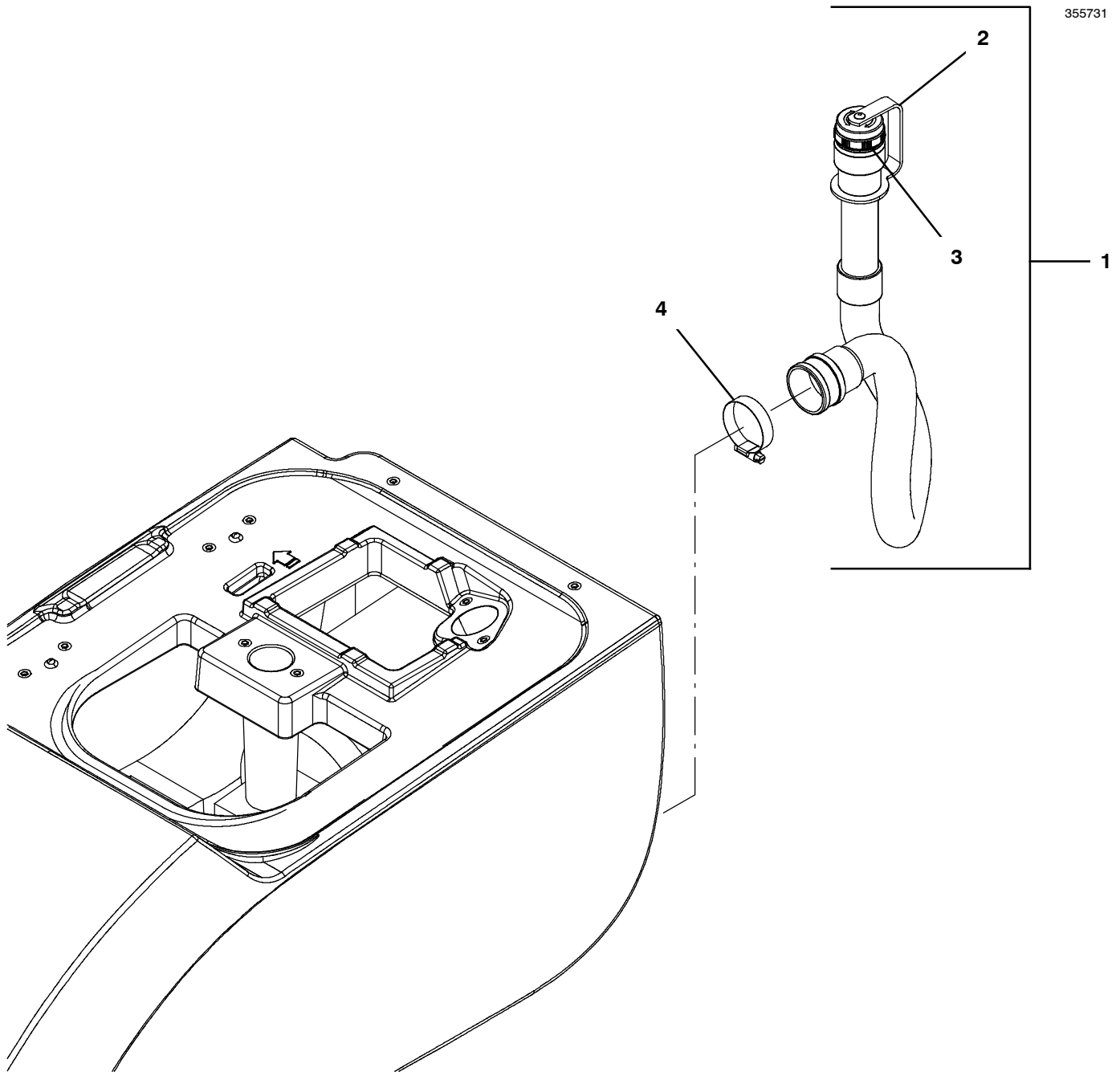
355807



**LOWER CONSOLE GROUP, ON- BOARD CHARGER, TPPL BATTERY**

Ref.	Part No.	Serial Number	Description	Qty.
1	130773	(10000000- 20000000 )	Tie, Cable, Nyl, 11.0l, .14w, 3.0 Max. D	2
2	06549	(10000000- 20000000 )	Nut, Hex, M5 X 0.80 X 16, 8.8	4
3	01683	(10000000- 20000000 )	Washer, Flat, 10, Ss	4
4	1254123	(10000000- 20000000 )	Charger, 24vdc, 650w,100- 240vac [On Brd]	1
5	1025642	(10000000- 20000000 )	Cord, Power, 16/3, 15ft Blk [Us]	1
5	1026330	(10000000- 20000000 )	Cord, Power, 1.0mm2 [2.5meter, China]	1
5	1026325	(10000000- 20000000 )	Cord, Power, 1.0mm2/3 Blk[2.5meter, Aus]	1
5	1048304	(10000000- 20000000 )	Cord, Power [4.5meter, India, S.Africa]	1
6	1076909	(10000000- 20000000 )	Harness, Ele, Adaptor, Relay	1
7	49309	(10000000- 20000000 )	Relay, 24vdc, 015a, Spdt No	1
8	16944	(10000000- 20000000 )	Screw, Hex, M4 X 0.70 X 10, Fmg	1
9	1043573	(10000000- 20000000 )	Screw, #10- 14 X 0.675, Spl[Shcs,Selftap]	4
10	1254600	(10000000- 20000000 )	Plate Wldt, Charger, Adapter	1

PINCH CUFF SCREW CAP DRAIN HOSE GROUP



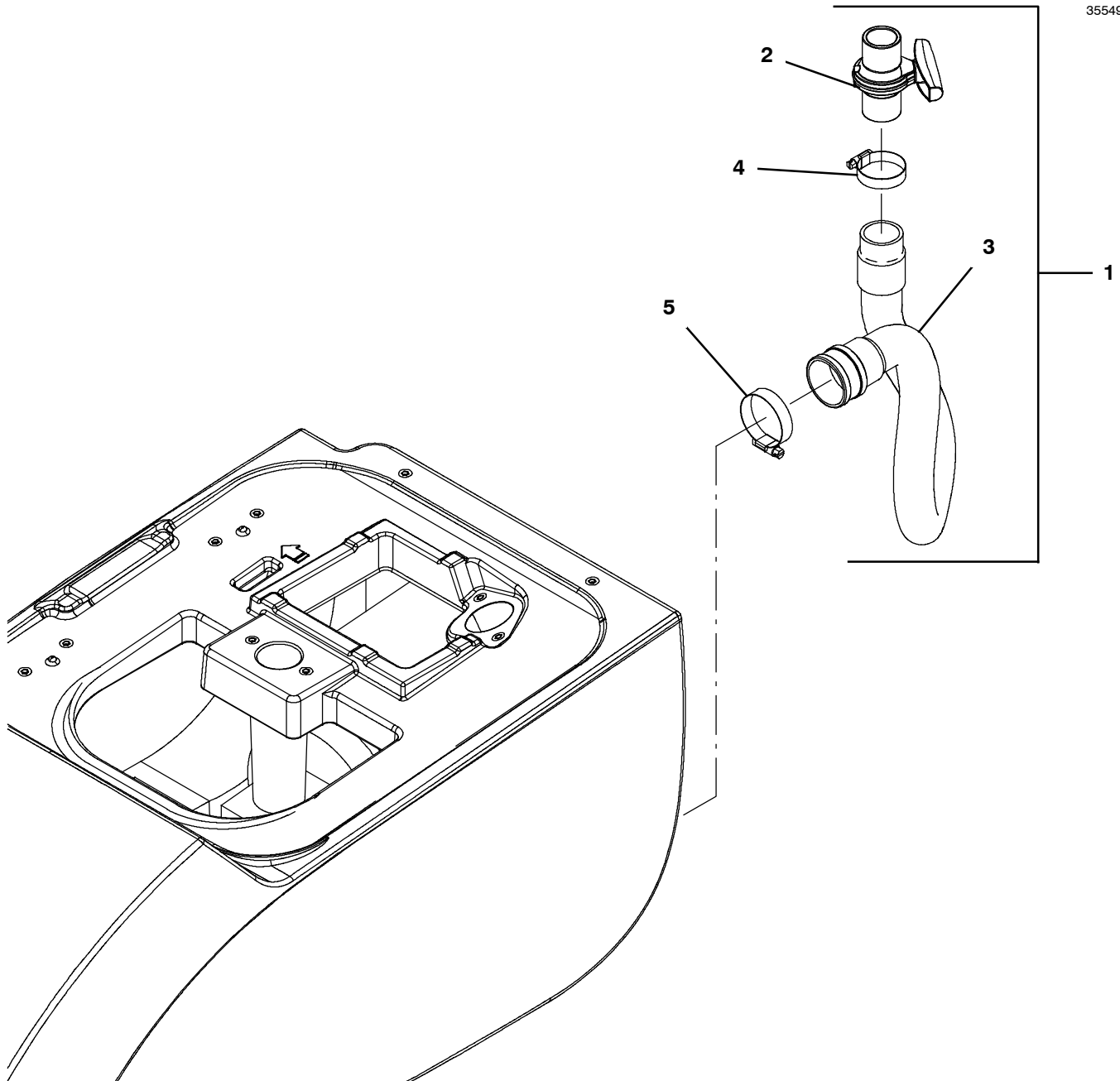
Ref.	Part No.	Serial Number	Description	Qty.
▽	1	1250482	(10984821- 20000000 ) Hose Assy, Drain, 1.5id X 15.5l [Pvc] (Black)	1
▲▽	2	1218955	(10000000- 20000000 ) Cap, Drain Assy [Black]	1
▲▲	3	1008637	(10000000- 20000000 ) Seal, Org, 1.48id 1.76od	1
▽	1	1247083	(10948943- 10984820 ) Hose Assy, Drain, 1.5id X 26.4l [Pu] (Gray) (NLA - Replaced By Black PVC Hose 1250482)	1
▲▽	2	1219134	(10948943- 10984820 ) Cap, Drain Assy [Gray]	1
▲▲	3	1008637	(10948943- 20000000 ) Seal, Org, 1.48id 1.76od	1
	4	22297	(10000000- 20000000 ) Clamp, Hose, Wormdrive, 1.56- 2.50d, .50w	1

▽ ASSEMBLY

▲ INCLUDED IN ASSEMBLY

CONTROL VALVE DRAIN HOSE GROUP

355495



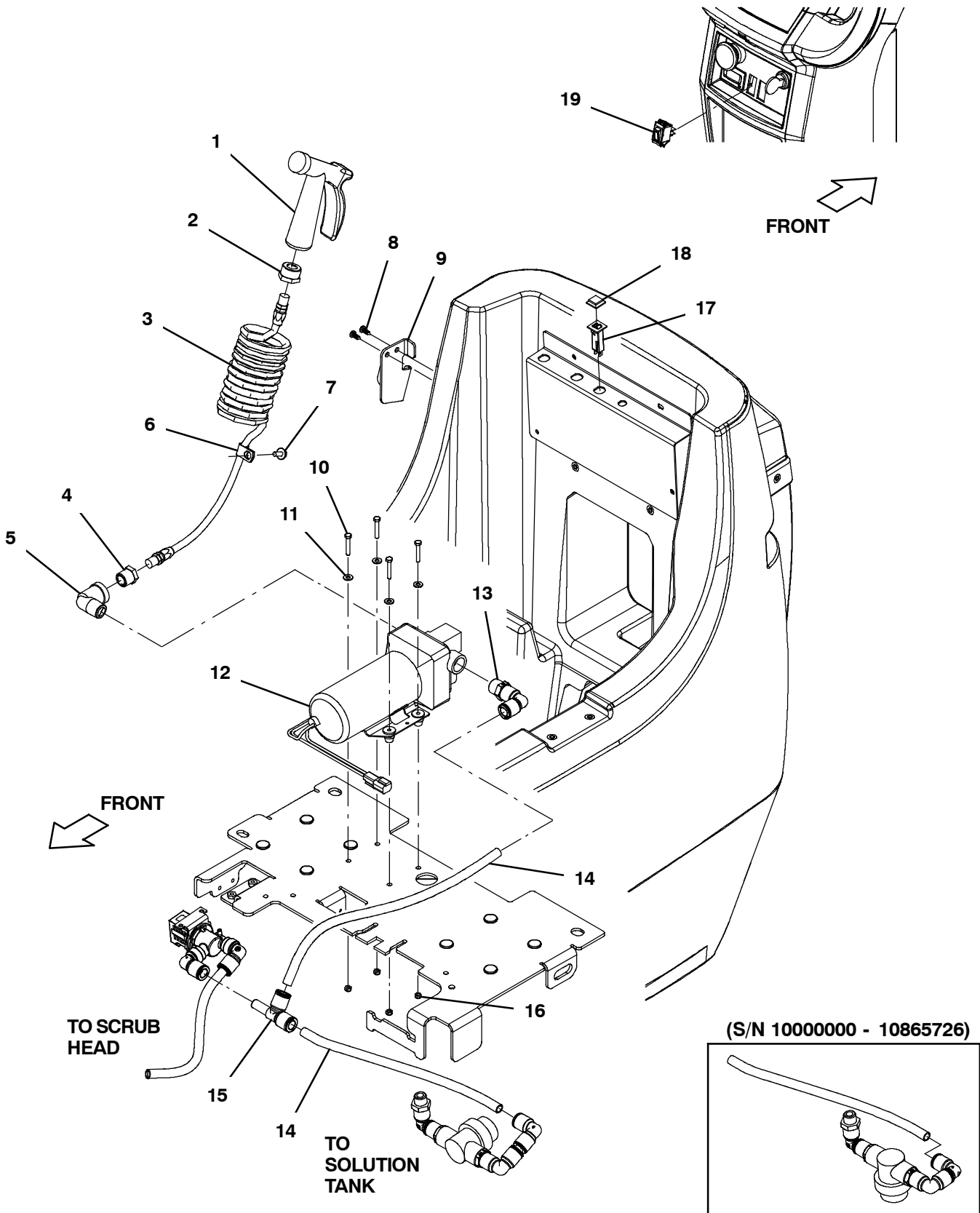
Ref.	Part No.	Serial Number	Description	Qty.
▽	1	9015726	(10000000- 10948942 ) Hose Kit, Drain, Pu, W/ Valve, Ci[T500] (Gray) (No Longer Available - Replaced by 1250482 - Pinch Cuff Screw Cap Style)	1
▲	2	1051986	(10000000- 10948942 ) Valve, Ball, 2way, 1.0id Pvc, W/Handle (No Longer Available - Replaced by 1250482 - Pinch Cuff Screw Cap Style)	1
▲	3	1225817	(10000000- 10948942 ) Hose Assy, W/2cuff,1.5d 0271 2.0/1.5[Pu] (Gray)	1
▲	4	11531	(10000000- 10948942 ) Clamp, Hose, Wormdrive, 1.06- 2.00d, .56w	1
	5	22297	(10000000- 20000000 ) Clamp, Hose, Wormdrive, 1.56- 2.50d, .50w	1

▽ ASSEMBLY

▲ INCLUDED IN ASSEMBLY

RECOVERY TANK RINSE KIT

355431



RECOVERY TANK RINSE KIT

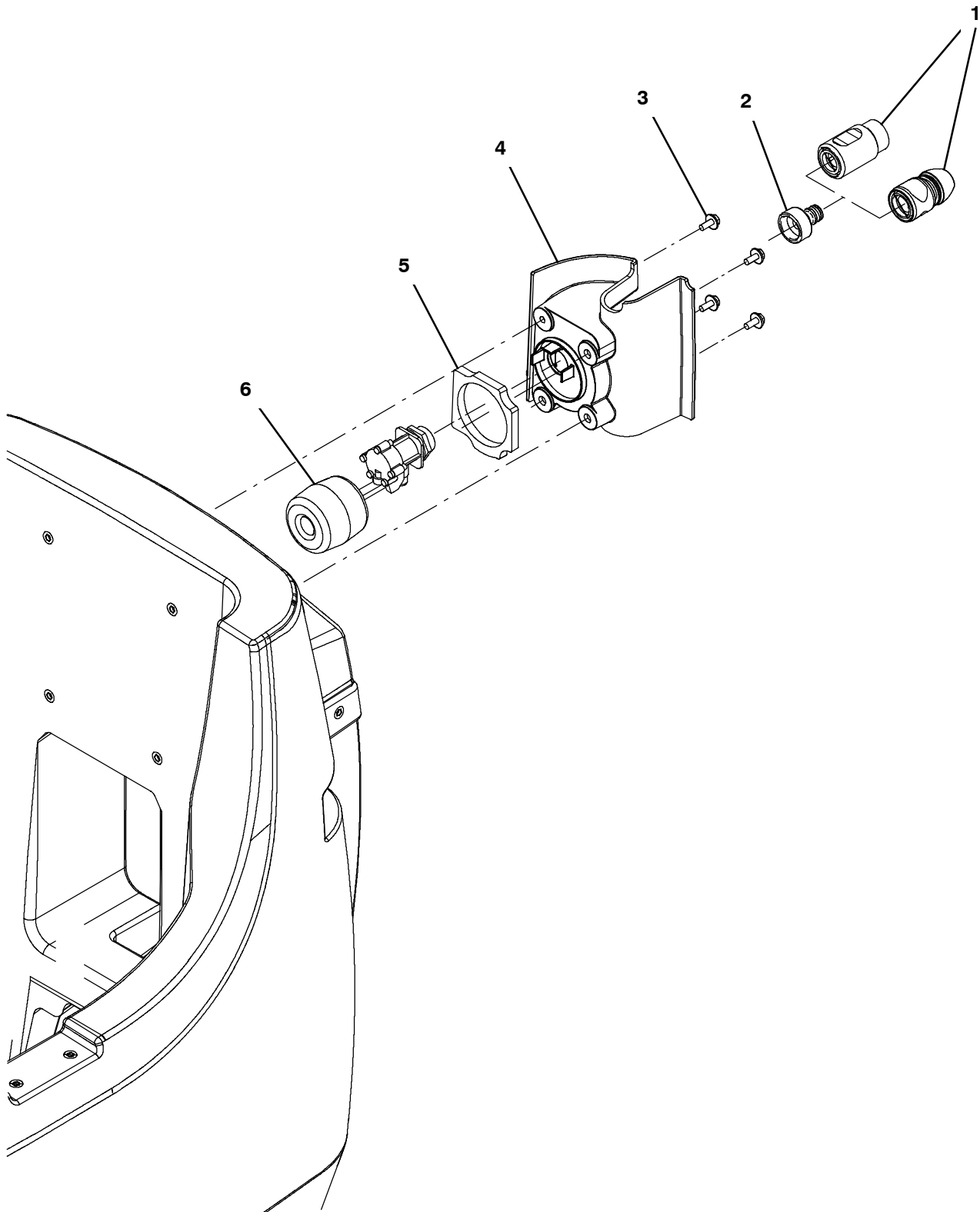
Ref.	Part No.	Serial Number	Description	Qty.
▽	9015481	(10000000- 20000000 )	Rinse Kit, Tank, Rec [T500] , Ci	1
▲	1 769785	(10000000- 20000000 )	Nozzle, Spray, Hand	1
▲	2 1220554	(10000000- 20000000 )	Fitting, Brs, Str, Pf04/Garden Hose	1
▲	3 160132	(10000000- 20000000 )	Hose Assy, 0.25id X 12ft Coil	1
▲	4 1220546	(10000000- 20000000 )	Fitting, Brs, Str, Pm08/Pf04	1
▲	5 1220131	(10000000- 20000000 )	Fitting, Plstc, E90, 1/2" Npt Male- Femal	1
▲	6 40678	(10000000- 20000000 )	Clamp, Cable, Stl, 0.44d X 0.62w, 1hole	1
▲	7 1034731	(10000000- 20000000 )	Screw, Hex, M6 X 1.00 X 16, Sems, Ss	1
▲	8 1018155	(10000000- 20000000 )	Screw, Pan, Phl, M5 X 0.80 X 16, Tcut,Ss	2
▲	9 1227293	(10000000- 20000000 )	Bracket, Hanger, Hose	1
▲	10 1228033	(10000000- 20000000 )	Screw, Hex, M5 X 0.80 X 30, Ss	4
▲	11 01683	(10000000- 20000000 )	Washer, Flat, 10, Ss	4
▲	12 1220123	(10000000- 20000000 )	Pump, Soltn, Ele, 24 Vdc, 60 Psi, 4 Gpm	1
▲	13 1212764	(10000000- 20000000 )	Fitting, Plstc, E90, Qf08/Pm08, Swivel	1
▲	14 9014145	(10000000- 20000000 )	Hose, Afmkt, Pe, .375id .50od, 05ft	1
▲	15 1212806	(10000000- 20000000 )	Fitting, Plstc, Tee, Qf08/Qf08/Qm08	1
▲	16 09739	(10000000- 20000000 )	Nut, Hex, Lock, M5 X 0.80, Nl, Ss	4
▲	17 1064188	(10000000- 20000000 )	Circuitbreaker, 15.0a, Resetable	1
▲	18 1064191	(10000000- 20000000 )	Boot, Circuitbreaker	1
▲	19 1044393	(10000000- 20000000 )	Switch, Rocker, Spst, Mom	1

▽ ASSEMBLY

▲ INCLUDED IN ASSEMBLY

SOLUTION TANK AUTO-FILL KIT

355455



SOLUTION TANK AUTO-FILL KIT

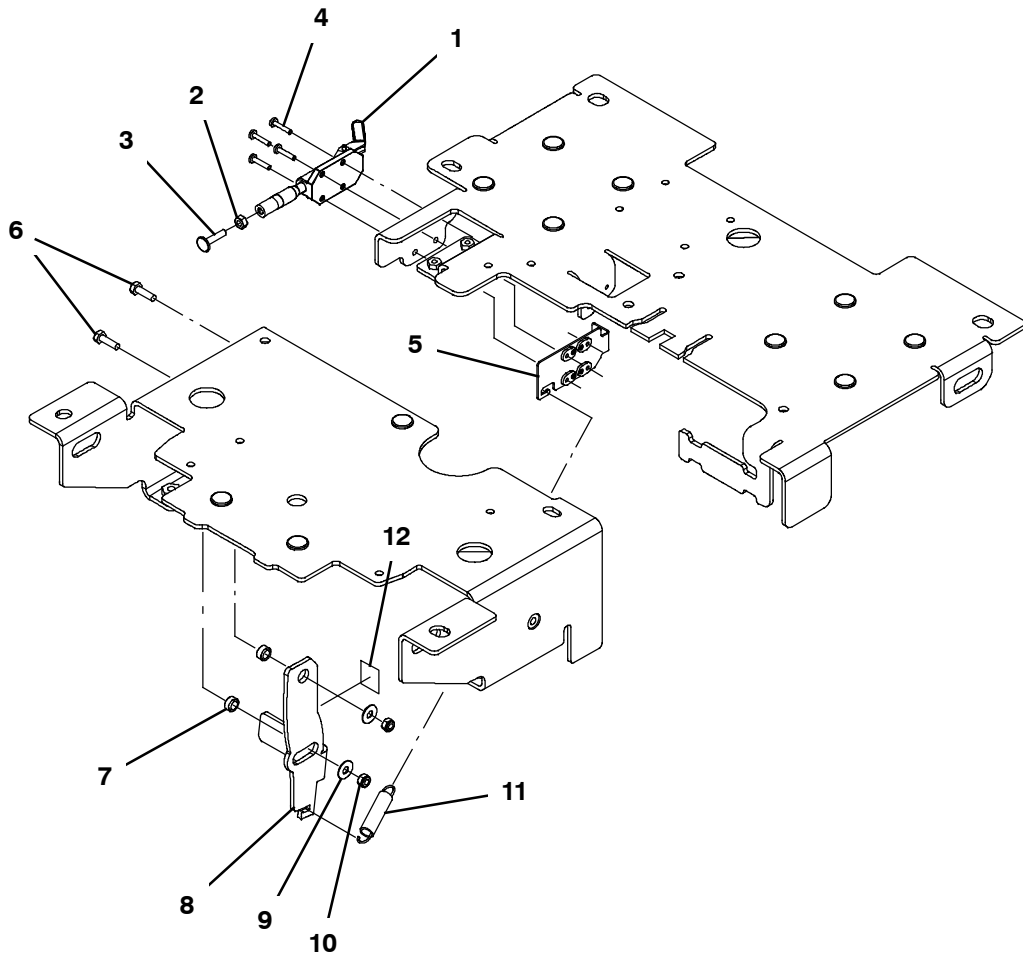
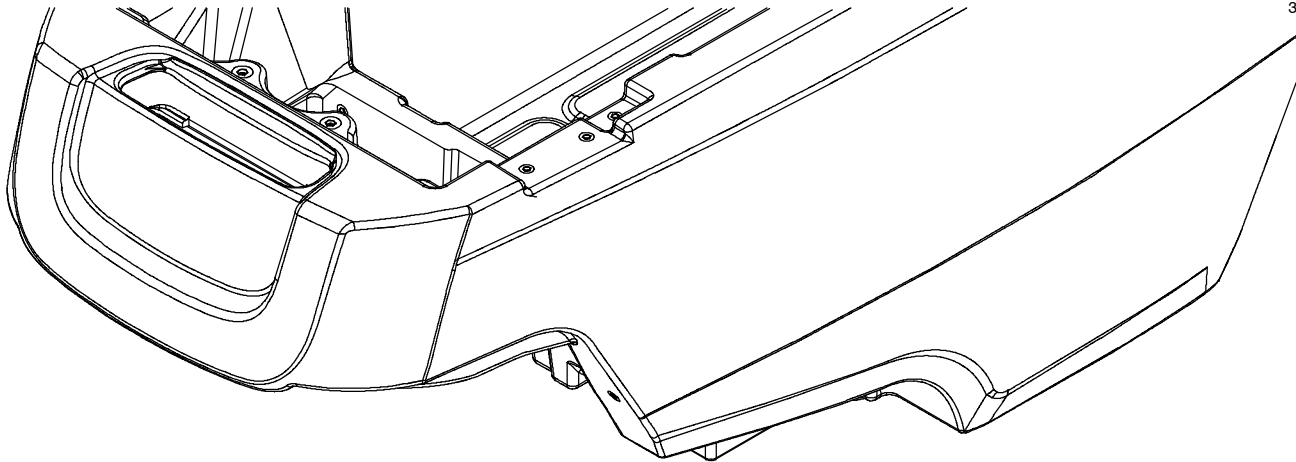
	Ref.	Part No.	Serial Number	Description	Qty.
▽		9015482	(10000000- 20000000 )	Fill Kit, Auto, Ci	1
▲	1	1227512	(10000000- 20000000 )	Fitting, Plstc, Qd, Female	1
▲	1	1235103	(10000000- 20000000 )	Fitting, Plstc, Qd, Female (Australia)	1
▲	2	1227400	(10000000- 20000000 )	Fitting, Plstc, Qd, Male	1
▲	3	1034731	(10000000- 20000000 )	Screw, Hex, M6 X 1.00 X 16, Sems, Ss	4
▲	4	1225411	(10000000- 20000000 )	Cover, Auto Fill[T500]	1
▲	5	1220263	(10000000- 20000000 )	Seal, Bulk Head, Water	1
▲	6	1219566	(10000000- 20000000 )	Valve, Float, 6.7gpm	1

▽ ASSEMBLY

▲ INCLUDED IN ASSEMBLY

PARKING BRAKE GROUP

355420

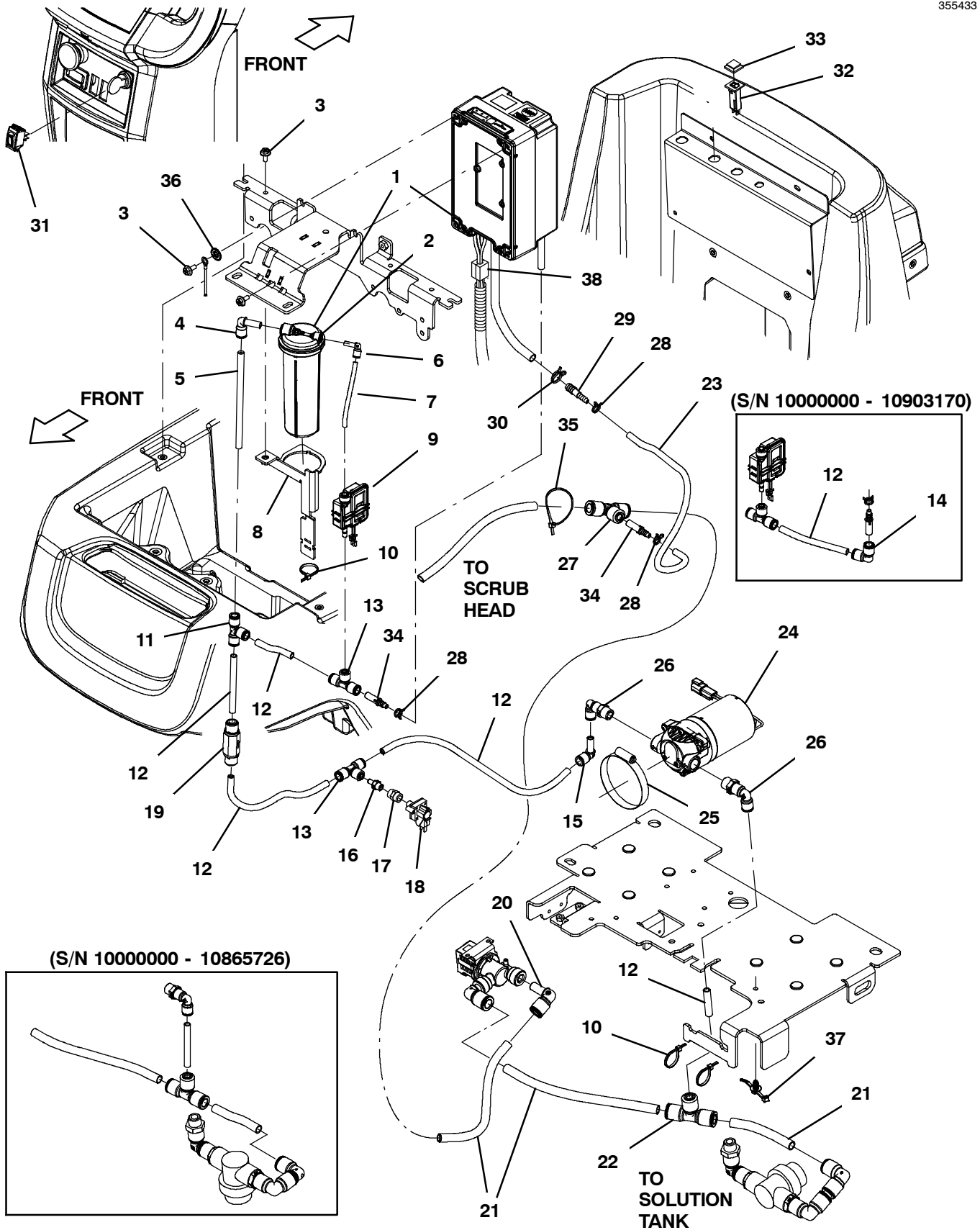


**PARKING BRAKE GROUP**

<b>Ref.</b>	<b>Part No.</b>	<b>Serial Number</b>	<b>Description</b>	<b>Qty.</b>
1	1221694	(10000000- 20000000 )	Clamp, Brake, Parking [T500]	1
2	07785	(10000000- 20000000 )	Nut, Hex, Std, M6 X 1.00, Ss	1
3	1017416	(10000000- 20000000 )	Screw, Weld, M6 X 1.00 X 25, Thru, Ss	1
4	12323	(10000000- 20000000 )	Screw, Pan, Phl, M4 X 0.70 X 20, Ss	4
5	1221695	(10000000- 20000000 )	Plate Wldt, Brake [T500]	1
6	08716	(10000000- 20000000 )	Screw, Hex, M6 X 1.00 X 20, Ss	2
7	360801	(10000000- 20000000 )	Sleeve, 0.32b 0.50d 0.3l, 2cham, Ss	2
8	1221423	(10000000- 20000000 )	Shoe, Brake, Parking	1
9	01684	(10000000- 20000000 )	Washer, Flat, 0.27b 0.69d .05, Ss	2
10	08712	(10000000- 20000000 )	Nut, Hex, Lock, M6 X 1.00, NI, Ss	2
11	75575	(10000000- 20000000 )	Spring, Extn, 0.50od 0.06wir 02.5l	1
12	1224990	(10000000- 20000000 )	Label, Opertnl, Parking Brake	1

ec-H2O SOLUTION GROUP

355433



ec-H2O SOLUTION GROUP

Ref.	Part No.	Serial Number	Description	Qty.
▽	1	9011810	(10000000- 20000000 ) Module Kit, Replmt [Ec- H2o, B 02] (See Breakdowns) (Canada Also Requires Ferrite)	1
▲	2	9013646	(10000000- 20000000 ) Cartridge, Ec- H2o Nanoclean Wcm, 270ml	1
	3	1034731	(10000000- 20000000 ) Screw, Hex, M6 X 1.00 X 16, Sems, Ss	3
	4	1215186	(10000000- 20000000 ) Fitting, Plstc, E90, Qf06/Qm06	1
	5	9014146	(10000000- 20000000 ) Hose, Afmkt, Pvc, 0.06id .38od, 05ft	1
	6	1214339	(10000000- 20000000 ) Fitting, Plstc, E90, Qfo4/Qm04	1
	7	9014147	(10000000- 20000000 ) Hose, Afmkt, Pvc, 0.06id .25od, 05ft	1
	8	1221926	(10000000- 20000000 ) Bracket Wldt, Mtg, Ec- H20 [T500]	1
	9	1216973	(10000000- 20000000 ) Pump Assy, Dispenser	1
	10	130773	(10000000- 20000000 ) Tie, Cable, Nyl, 11.0l, .14w, 3.0 Max. D	3
	11	1212573	(10000000- 20000000 ) Fitting, Plstc, Tee, Qf06/Qf06/Qf06	1
	12	9014148	(10000000- 20000000 ) Hose, Afmkt, Nat, 0.25id 0.375od, 06ft	1
	13	1212855	(10000000- 20000000 ) Fitting, Plstc, Tee, Qf04/Qf06/Qf06	2
	14	1212856	(10000000- 10903170 ) Fitting, Plstc, E90, Qf06/Qf06	1
	15	1215186	(10000000- 20000000 ) Fitting, Plstc, E90, Qf06/Qm06	1
	16	1216185	(10000000- 20000000 ) Fitting, Plstc, Str, Qm04/Pm02	1
	17	150307	(10000000- 20000000 ) Fitting, Brs, Cplg, Pf02/Pf02	1
	18	1044414	(10000000- 20000000 ) Switch, Press, 15psi, Pm02	1
	19	1215527	(10000000- 20000000 ) Valve, Check, 1.0 Psi Qf06/Qf06	1
	20	1212809	(10000000- 20000000 ) Fitting, Plstc, E90, Qf08/Qm08	1
	21	9014145	(10000000- 20000000 ) Hose, Afmkt, Pe, .375id .50od, 05ft	1
	22	1212875	(10000000- 20000000 ) Fitting, Plstc, Tee, Qf06/Qf08/Qf08	1
	23	1014985	(10000000- 20000000 ) Hose, Afmkt, Pvc, Clr, 0.25id, 08ft	1
	24	1210517	(10000000- 20000000 ) Pump, Soltn, Ele, 24vdc, 35 Psi	1
	25	43555	(10000000- 20000000 ) Clamp, Hose, Wormdrive, 2.62- 3.50d	1
	26	1212812	(10000000- 20000000 ) Fitting, Plstc, E90, Qf06/Pm06, Swivel	2
	27	1212875	(10000000- 20000000 ) Fitting, Plstc, Tee, Qf06/Qf08/Qf08	1
	28	613735	(10000000- 20000000 ) Clamp, Hose, Wir, .40 - .42, Yel	3
	29	1039557	(10000000- 20000000 ) Fitting, Plstc, Str, Bm04/Bm06	1
	30	607775	(10000000- 20000000 ) Clamp, Hose, Wir, .63 - .66, Blk	1
	31	1044393	(10000000- 20000000 ) Switch, Rocker, Spst, Mom	1
	32	1064187	(10000000- 20000000 ) Circuitbreaker, 10.0a, Resetable	1
	33	1064191	(10000000- 20000000 ) Boot, Circuitbreaker	1
	34	1212857	(10000000- 20000000 ) Fitting, Plstc, Str, Qm06/Bm04	2
	35	130773	(10000000- 20000000 ) Tie, Cable, Nyl, 11.0l, .14w, 3.0 Max. D	1
	36	41140	(10000000- 20000000 ) Washer, Lock, Int- Ext, 0.25	1
	37	1210807	(10865727- 20000000 ) Wire, Tie [W/.25" Fir Tree Clip]	1
	38	1065665	(10000000- 20000000 ) Inductor, 32.3mml [Ferrite 10- 250mhz] (Canada Only)	1

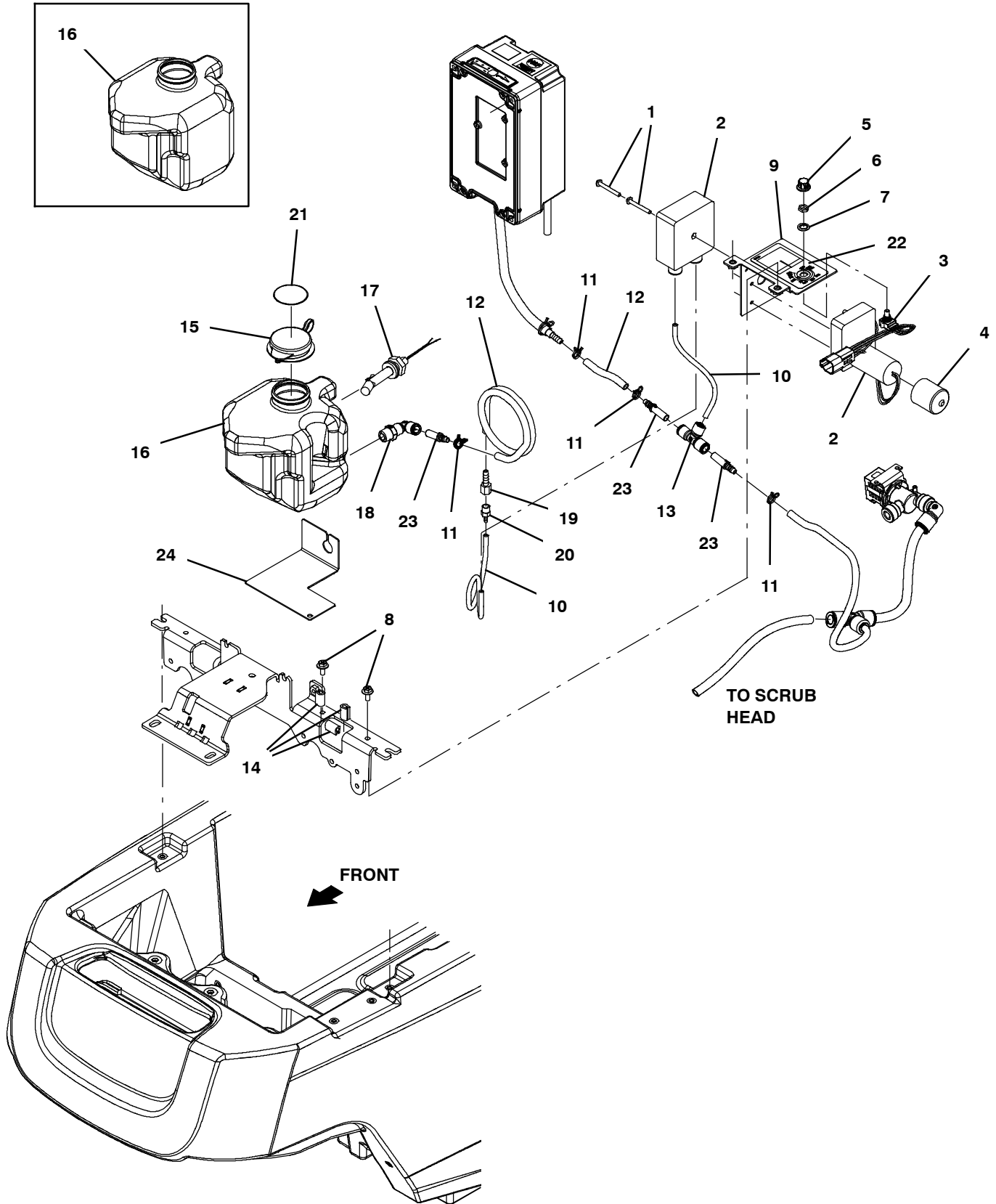
▽ ASSEMBLY

▲ INCLUDED IN ASSEMBLY

SEVERE ENVIRONMENT SOLUTION GROUP

355436

(S/N 1000000 - xxxxxxxx)



SEVERE ENVIRONMENT SOLUTION GROUP

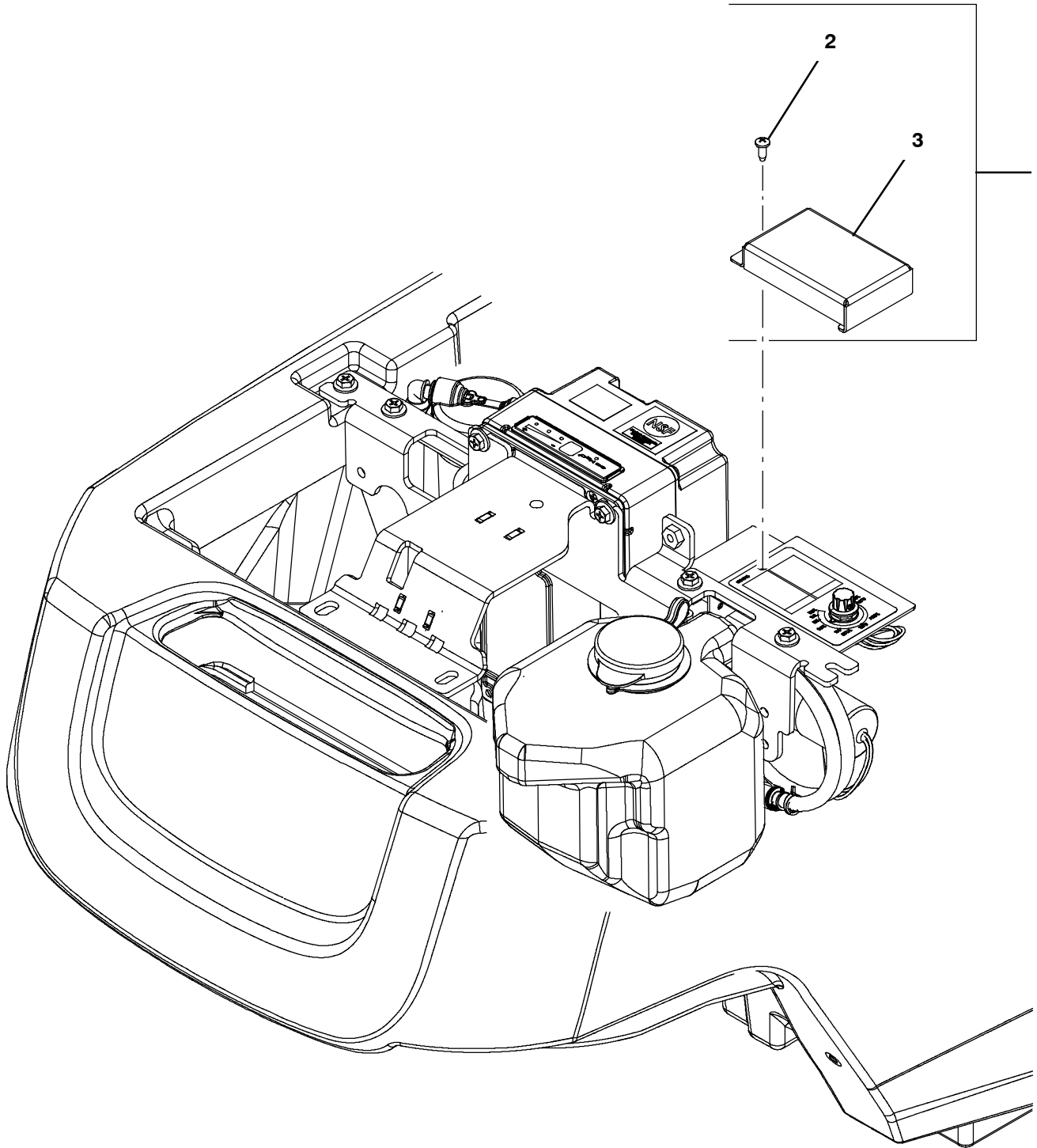
Ref.	Part No.	Serial Number	Description	Qty.
	1	17185	(10000000- 20000000 ) Screw, Pan, Phl, M5 X 0.80 X 40, Ss	2
▽	2	1215698	(10000000- 20000000 ) Pump Assy, Detgt, 24 Vdc [T300]	1
▲		1208721	(10000000- 20000000 ) Pump, Detgt, 24vdc, 120rpm	1
▲		1219077	(10000000- 20000000 ) Hose Kit, Detgt [0.5cc]	1
▲	3	1211775	(10000000- 20000000 ) Potentiometer [5k, W/Leads And Conn.]	1
	4	605064	(10000000- 20000000 ) Cap, Vinyl, 1.38 D 1.6l	1
	5	630265	(10000000- 20000000 ) Knob, Rnd, 0.75d 0.50l 0.25b, Plstc	1
	6	222607	(10000000- 20000000 ) Nut, Hex, Thin, .38- 32	1
	7	43953	(10000000- 20000000 ) Washer, Lock, Int, 0.38, Ss	1
	8	1034731	(10000000- 20000000 ) Screw, Hex, M6 X 1.00 X 16, Sems, Ss	2
	9	1221487	(10000000- 20000000 ) Bracket Wldt, Pump, Detgt [T500]	1
	10	613461	(10000000- 20000000 ) Hose, Pvc, Clr, 0.12id 0.25od 048.0l	1
	11	613735	(10000000- 20000000 ) Clamp, Hose, Wir, .40 - .42, Yel	4
	12	1006415	(10000000- 20000000 ) Hose, Afmkt, Pvc, Clr, 0.25id, 03ft	1
	13	1212855	(10000000- 20000000 ) Fitting, Plstc, Tee, Qf04/Qf06/Qf06	1
	14	1020168	(10000000- 20000000 ) Molding, Afmkt, Trim, Pvc, .08 .11, 01ft	1
	15	1057372	(10000000- 20000000 ) Cap, Snap, 2.17d (Black)	1
	16	1252606	(xxxxxxx- 20000000 ) Tank, 2.3l, Trimmed, Se	1
	16	1217453	(10000000- xxxxxxxx ) Tank [2.5 Liter] (Replaced By 1252606)	1
	17	1212430	(10000000- 20000000 ) Sensor, Level, Liq, 30watt, Spst	1
	18	1212812	(10000000- 20000000 ) Fitting, Plstc, E90, Qf06/Pm06, Swivel	1
	19	150520	(10000000- 20000000 ) Fitting, Brs, Str, Bm04/Pf02	1
	20	150524	(10000000- 20000000 ) Fitting, Brs, Str, Bm02/Pm02	1
	21	1224989	(10000000- 20000000 ) Label, Detergent Metering Tank	1
	22	1210440	(10000000- 20000000 ) Label, Opertnl, Detergent Metering	1
	23	1212857	(10000000- 20000000 ) Fitting, Plstc, Str, Qm06/Bm04	3
	24	1243106	(10000000- 20000000 ) Plate, Shield, Switch	1

▽ ASSEMBLY

▲ INCLUDED IN ASSEMBLY

SEVERE ENVIRONMENT LOCKOUT KIT

355715



	Ref.	Part No.	Serial Number	Description	Qty.
▽	1	9017884	(10000000-20000000 )	Lockout Kit, Severe Environment	1
▲	2	140350	(10000000-20000000 )	Screw, Pan, Phl, 10- 16 X 0.50, Ss[Typ25]	1
▲	3	1239732	(10000000-20000000 )	Cover, Knob, Severe Environment	1

▽ ASSEMBLY

▲ INCLUDED IN ASSEMBLY

DOCUMENTATION GROUP

Ref.	Part No.	Serial Number	Description	Qty.
	9015222	(10000000- 20000000 )	Manual, Parts [T500, Na]	1
	9015223	(10000000- 20000000 )	Manual, Oprtr [T500, En, Na/Intl]	1
	9015500	(10000000- 20000000 )	Manual, Oprtr [T500, Es, Na]	1
	9015501	(10000000- 20000000 )	Manual, Oprtr [T500, Fr, Na]	1
	9015502	(10000000- 20000000 )	Manual, Oprtr [T500, Ptbr]	1
	9015503	(10000000- 20000000 )	Instr, Wall Chart [T500, Na]	1
	9015504	(10000000- 20000000 )	Manual, Service [T500, En]	1

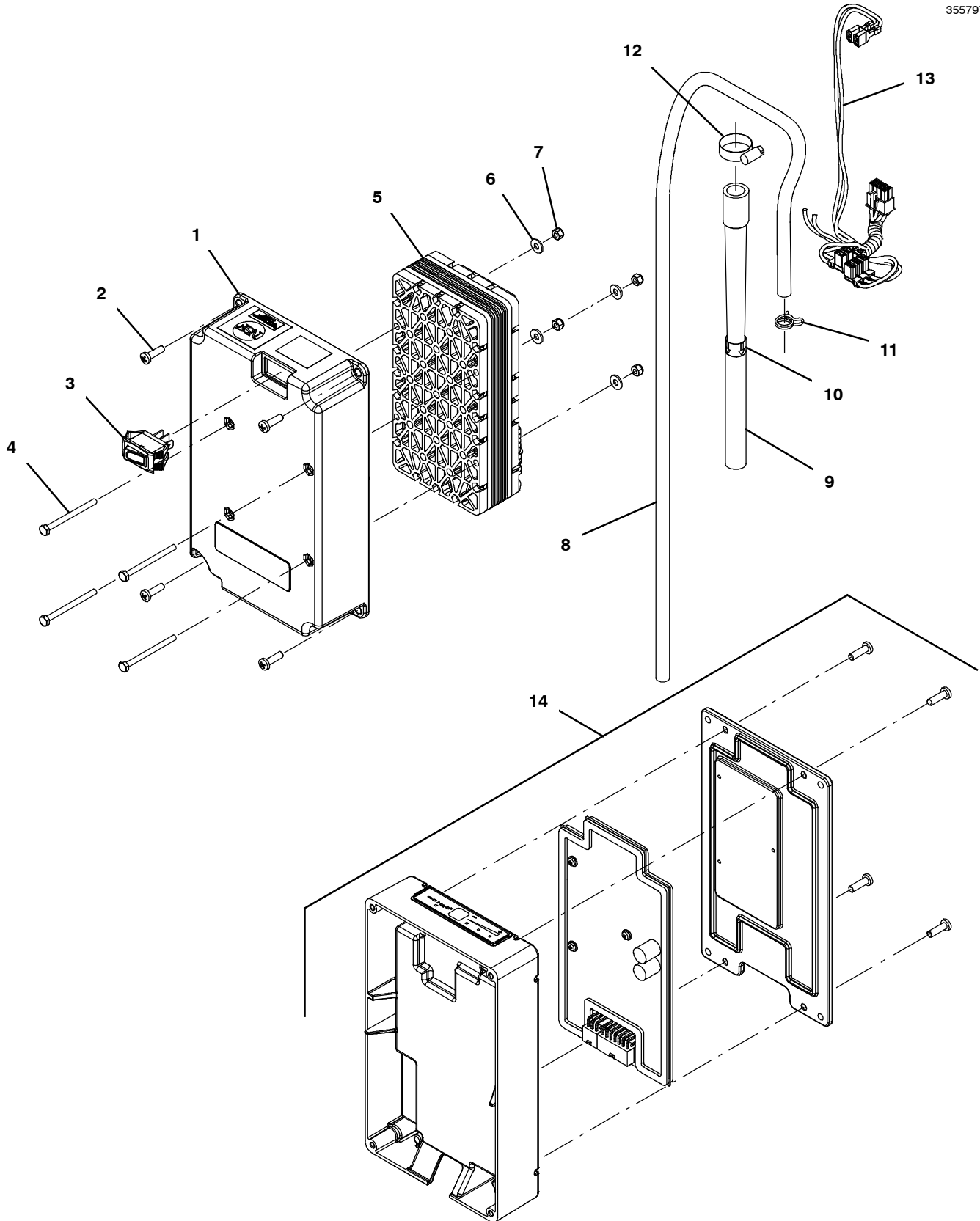


To view, print, order, download the latest Parts manual, other language Operator manuals, and Use and Care Guides (wall charts), visit:

[www.tennantco.com/manual](http://www.tennantco.com/manual)

ec-H2O NANOCLEAN MODULE BREAKDOWN 9020643  
(S/N 10983853 - 20000000)

355797



**ec- H2O NANOCLEAN MODULE BREAKDOWN 9020643  
(S/N 10983853 - 20000000)**

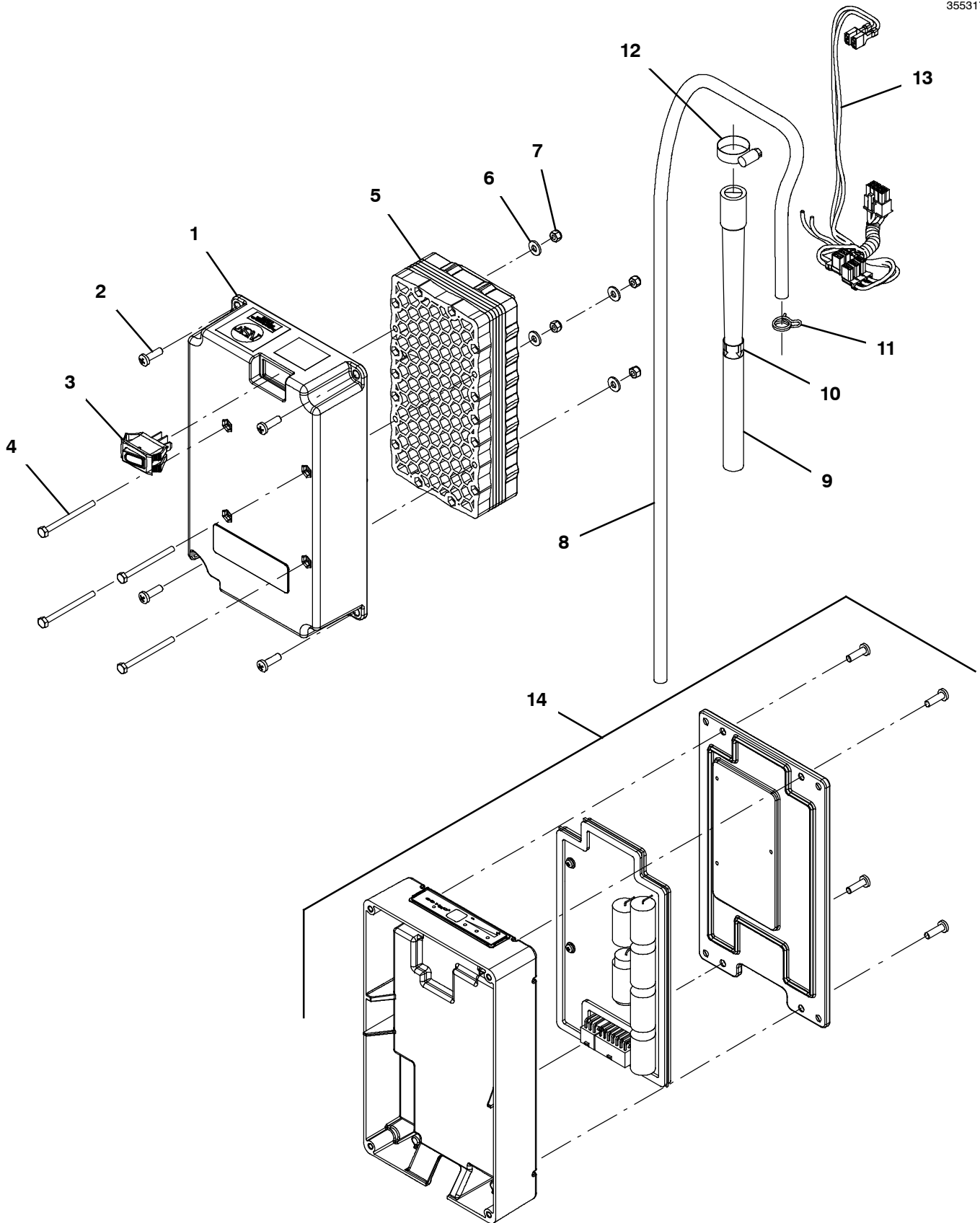
	<b>Ref.</b>	<b>Part No.</b>	<b>Serial Number</b>	<b>Description</b>	<b>Qty.</b>
▽		9020643	(10983853- 20000000 )	Module Kit, Replmt [Ec- H2o, B 02] (Includes ec- H2O NanoClean Cartridge)	1
▲▽		9014126	(10000000- 20000000 )	Ec- H2o Nc Kit [Module B, Plumbing]	1
▲▲	1	1208823	(10000000- 20000000 )	Housing, Module, Upper, Ec- H2o	1
▲▲	2	1015506	(10000000- 20000000 )	Screw, Pan, Phl, M5 X 16, Tcut [Plastic]	4
▲▲	3	1044393	(10000000- 20000000 )	Switch, Rocker, Spst, Mom	1
▲▲	4	32509	(10000000- 20000000 )	Screw, Hex, M4 X 0.70 X 50, Ss	4
▲▲	5	1233516	(10983853- 20000000 )	Electrode, 5 Plate [De Nora Tech]	1
▲▲	6	41579	(10000000- 20000000 )	Washer, Flat, 08, Ss	4
▲▲	7	33932	(10000000- 20000000 )	Nut, Hex, Lock, M4 X 0.70, NI, Ss	4
▲▲	8	1006415	(10000000- 20000000 )	Hose, Afrmkt, Pvc, Clr, 0.25id, 03ft	1
▲▲	9	1208526	(10000000- 20000000 )	Hose, Molded, Bm08/Bm06	1
▲▲	10	1049637	(10000000- 20000000 )	Label, Direction [Ec- H2o]	1
▲▲	11	613735	(10000000- 20000000 )	Clamp, Hose, Wir, .40 - .42, Yel	1
▲▲	12	54333	(10000000- 20000000 )	Clamp, Hose, Wormdrive, 0.31- 0.88d, .31w	1
▲▲	13	1073286	(10000000- 20000000 )	Harness, Ele, Module B2 [Ec- H2o]	1
▲	14	9020642	(10983853- 20000000 )	Controller Kit, Replmt [Ec- H2o Nc] (Includes ec- H2O NanoClean Cartridge)	1

▽ ASSEMBLY

▲ INCLUDED IN ASSEMBLY

ec- H2O NANOCLEAN MODULE BREAKDOWN 9011810  
(S/N 10000000 - 10983852)

355317



**ec- H2O NANOCLEAN MODULE BREAKDOWN 9011810  
(S/N 10000000 - 10983852)**

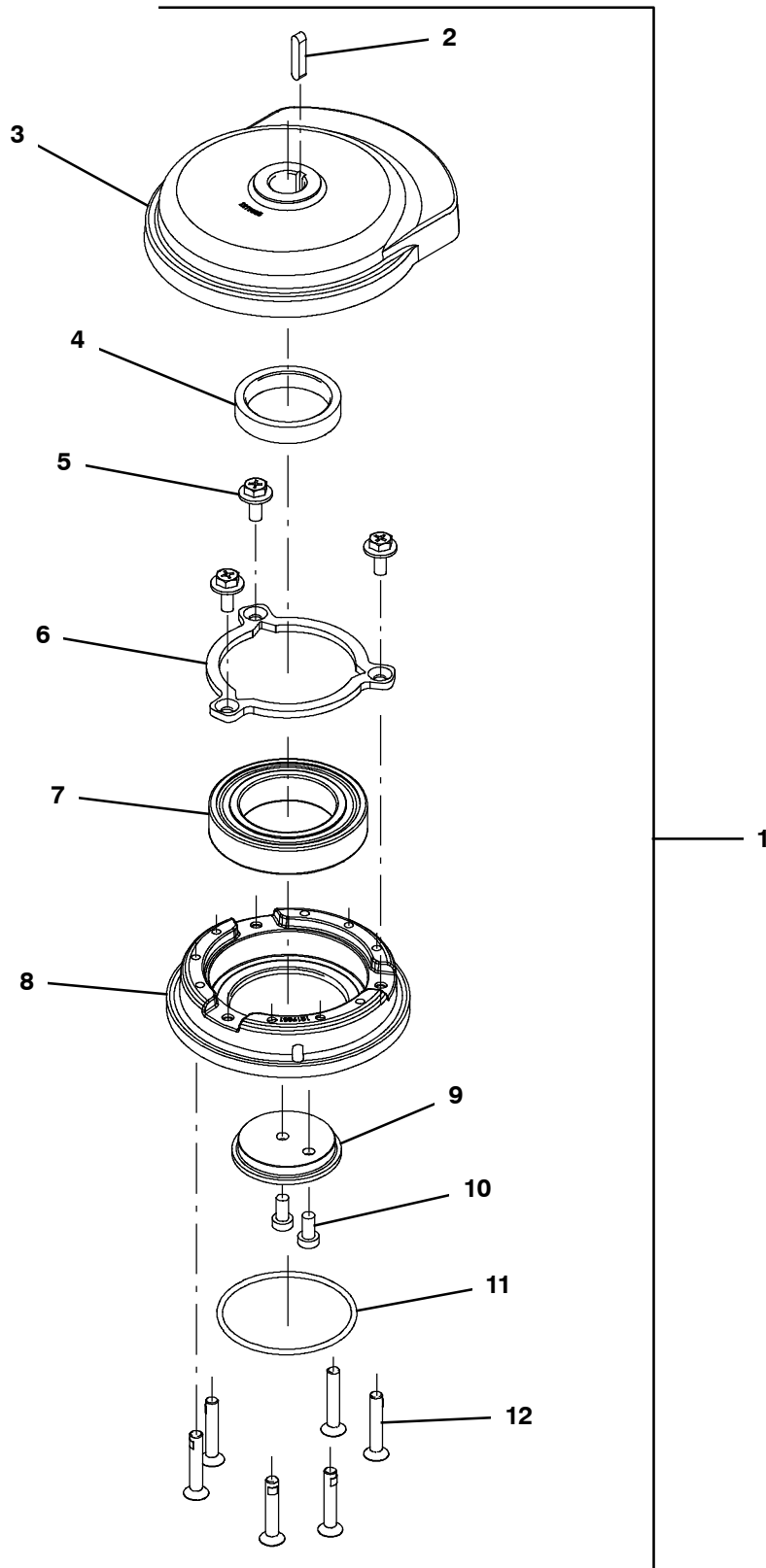
	<b>Ref.</b>	<b>Part No.</b>	<b>Serial Number</b>	<b>Description</b>	<b>Qty.</b>
▽		9011810	(10000000- 10983852 )	Module Kit, Replmt [Ec- H2o, B 02] (Includes ec- H2O NanoClean Cartridge) (Replaced By 9020643)	1
▲▽		9014126	(10000000- 20000000 )	Ec- H2o Nc Kit [Module B, Plumbing]	1
▲▲	1	1208823	(10000000- 20000000 )	Housing, Module, Upper, Ec- H2o	1
▲▲	2	1015506	(10000000- 20000000 )	Screw, Pan, Phl, M5 X 16, Tcut [Plastic]	4
▲▲	3	1044393	(10000000- 20000000 )	Switch, Rocker, Spst, Mom	1
▲▲	4	32509	(10000000- 20000000 )	Screw, Hex, M4 X 0.70 X 50, Ss	4
▲▲	5	1208164	(10000000- 10983852 )	Electrode, 5 Plate, High Flow (Replaced By 1233516)	1
▲▲	6	41579	(10000000- 20000000 )	Washer, Flat, 08, Ss	4
▲▲	7	33932	(10000000- 20000000 )	Nut, Hex, Lock, M4 X 0.70, NI, Ss	4
▲▲	8	1006415	(10000000- 20000000 )	Hose, Afrmkt, Pvc, Clr, 0.25id, 03ft	1
▲▲	9	1208526	(10000000- 20000000 )	Hose, Molded, Bm08/Bm06	1
▲▲	10	1049637	(10000000- 20000000 )	Label, Direction [Ec- H2o]	1
▲▲	11	613735	(10000000- 20000000 )	Clamp, Hose, Wir, .40 - .42, Yel	1
▲▲	12	54333	(10000000- 20000000 )	Clamp, Hose, Wormdrive, 0.31- 0.88d, .31w	1
▲▲	13	1073286	(10000000- 20000000 )	Harness, Ele, Module B2 [Ec- H2o]	1
▲	14	9014127	(10000000- 10983852 )	Controller Kit, Replmt [Ec- H2o Nc] (Includes ec- H2O NanoClean Cartridge) (Replaced By 9020642)	1

▽ ASSEMBLY

▲ INCLUDED IN ASSEMBLY

ORBITAL HEAD ECCENTRIC DRIVE BREAKDOWN

355477



## ORBITAL HEAD ECCENTRIC DRIVE BREAKDOWN

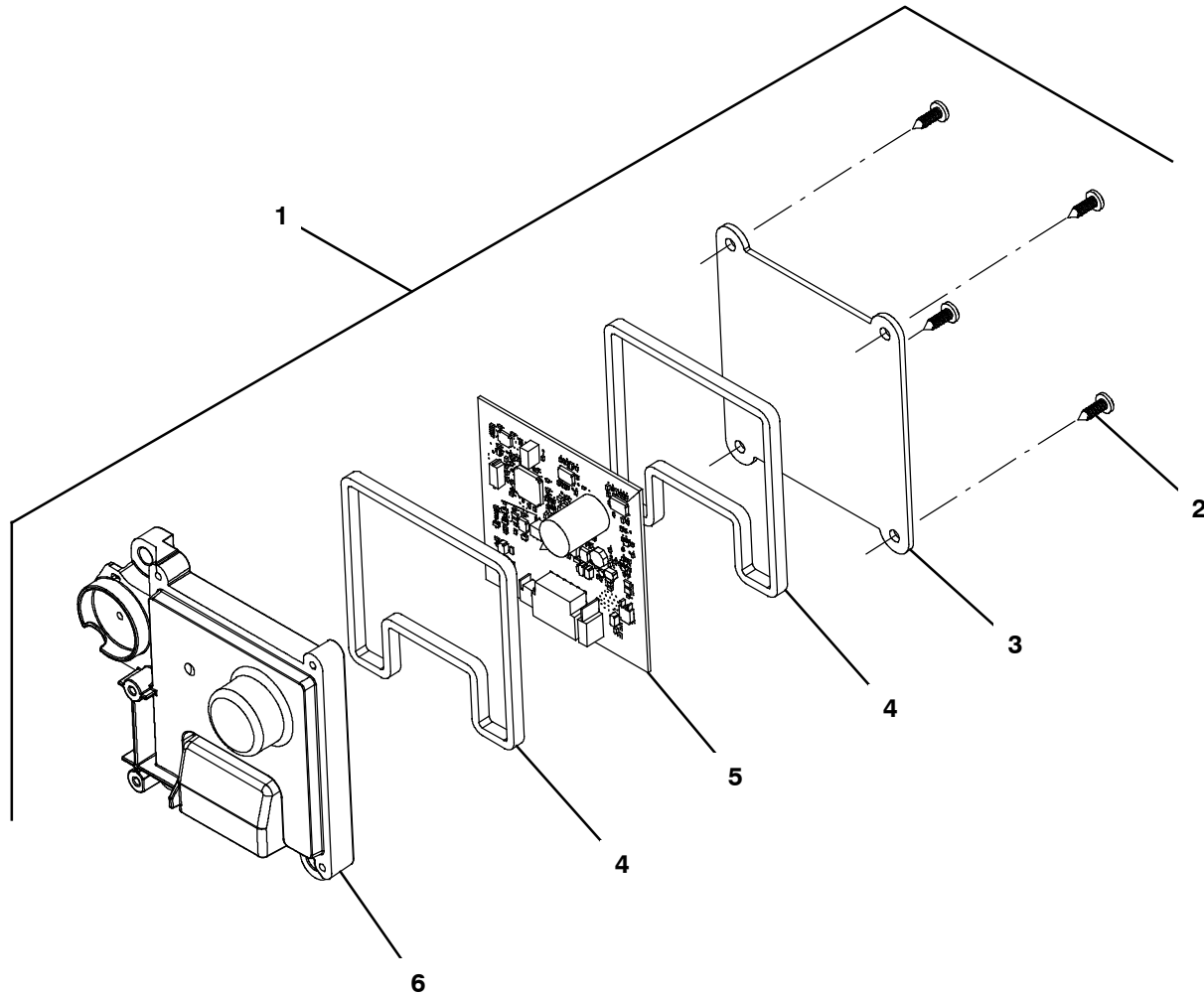
	Ref.	Part No.	Serial Number	Description	Qty.
▽	1	9015774	(10000000- 20000000 )	Eccentric Drive Kit, Orbital	1
▲	2	1231238	(10000000- 20000000 )	Key, Sq, 5mm X 5mm X 22mm	1
▲	3	N/A	(10000000- 20000000 )	Balance, Eccentric, Step [Machined]	1
▲	4	N/A	(10000000- 20000000 )	Spacer, Eccentric	1
▲	5	N/A	(10000000- 20000000 )	Screw, Hex, M6 X 1.00 X 16, Sems	3
▲	6	N/A	(10000000- 20000000 )	Plate, Retainer, Brg, Outer	1
▲	7	1220452	(10000000- 20000000 )	Bearing, Ball, 2.17b 3.54d .71w	1
▲	8	N/A	(10000000- 20000000 )	Housing, Bearing, Outer [Machined]	1
▲	9	N/A	(10000000- 20000000 )	Retainer, Bearing, Inner [Qpq]	1
▲	10	N/A	(10000000- 20000000 )	Screw, Soc, M6 X 1.00 X 12, 8.8, Low	2
▲	11	1221394	(10000000- 20000000 )	Seal, Org, .125 X 02.63id	1
▲	12	1212710	(10000000- 20000000 )	Screw, Flt, Soc, M6 X 1.00 X 35, 10.9,NI	6

▽ ASSEMBLY

▲ INCLUDED IN ASSEMBLY

## AUTOMATIC BATTERY WATERING MODULE BREAKDOWN

355564



	Ref.	Part No.	Serial Number	Description	Qty.
▽	1	9016770*	(10995399- 20000000 )	Controller Kit, Battery, 24vdc, Ci [Abw]	1
▽	1	9018008	(10000000- 10995398 )	Kit, Module, Abw, Ci (Replaced By 9016770)	1
▲	2	1018155	(10000000- 20000000 )	Screw, Pan, Phl, M5 X 0.80 X 16, Tcut, Ss	4
▲	3	1223055	(10000000- 20000000 )	Panel, Mtg, Fill, Auto, Battery	1
▲	4	1223286	(10000000- 20000000 )	Seal, Cover, Board, Battery Watering	2
▲	5	1220931	(10000000- 20000000 )	Circuitboard Assy [Abw Module]	1
▲	6	1223261	(10000000- 20000000 )	Cover, Circuitboard, Battery Watering	1

**\* Requires Tennant *True* service or an authorized Tennant service provider.**

▽ ASSEMBLY

▲ INCLUDED IN ASSEMBLY

