



Electronic Service Manuals

This electronic document is provided as a service to our customers. We do not create the contents of the information contained in this document. Should you have detailed questions pertaining to the information contained in this document, you may contact Michco, or the manufacturer which provided the original information in this electronic deliverable. Michco's only part in this electronic deliverable was the electronic assembly process. By providing this manual online we are not guaranteeing parts availability.

You may contact Michco through the following methods:

Phone (517) 484-9312

2011 N. High St. -- Lansing, Michigan -- 48906

Fax: (517) 484-9836

Email: CustomerService@Michco.com

Website: www.Michco.Com

Order Parts online at:

www.Michco.Com

Directly to Parts & Service:

By Email: **CustomerService@Michco.com**

By Fax: (517) 484-9836

By Voice: (517) 484-9312

Serving the Cleaning Industry Since 1922

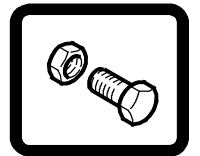
Notice: All copyrighted material remains property of original owners, all trademarks are property of respective owners. Manuals are subject to Manufacturer's reproduction limitations. Originals or reproductions were provided by manufacturers through a request. We make no warranty as to the correctness of information provided in this document and you assume all risk. By placing these manuals on line we are not declaring our corporation to be an manufacturer authorized dealer or provider, please check our web site for authorized manufacturers we represent.



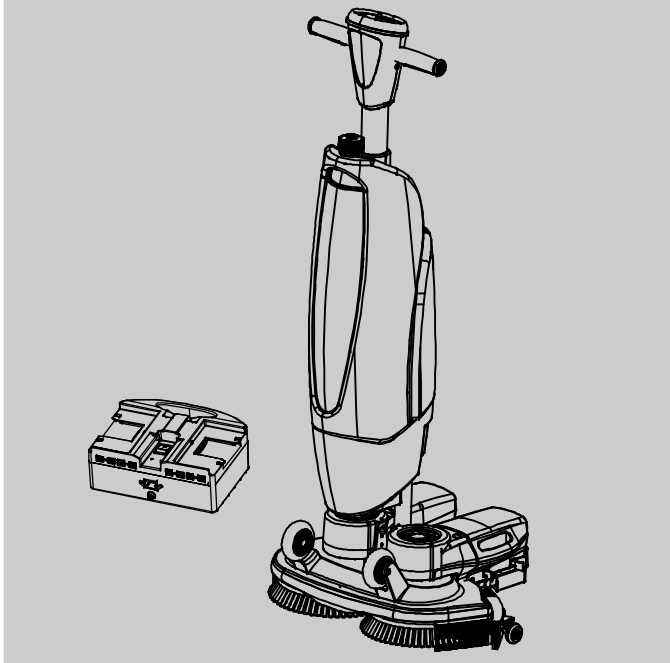
i-mop[®] XL plus

SCRUBBER

Parts Manual



(S/N 330000-)



Model Part No.:
1251236 - i-mop XL plus w/ charger & battery
9020942 - i-mop XL plus w/ charger & extra battery
1250527 - i-charge 2 battery charger

North America / International

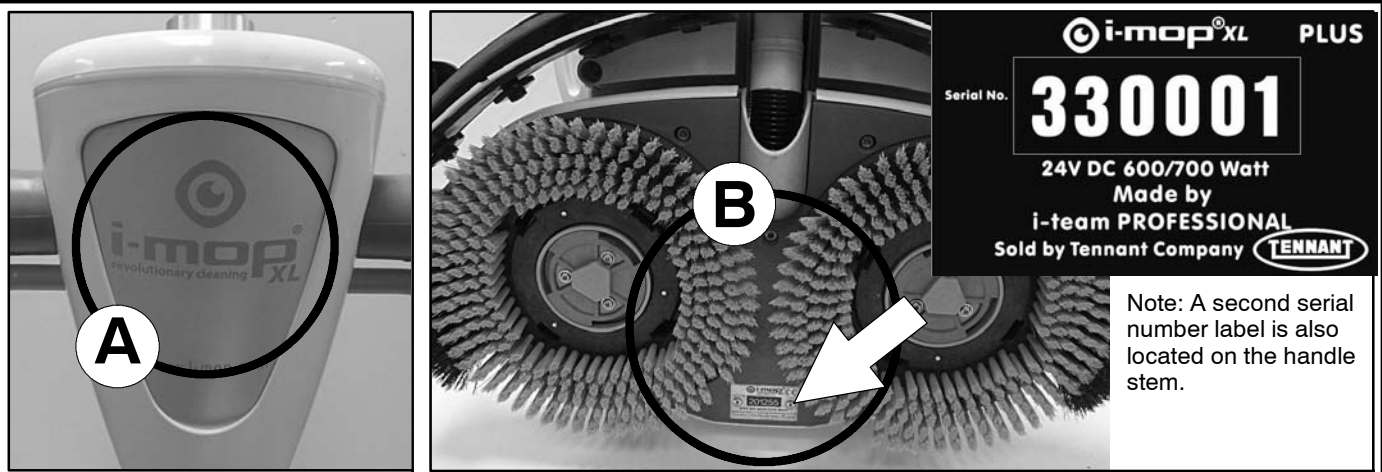


For the latest Parts manuals and other language Operator manuals, visit:

www.tennantco.com/manuals

9020954
Rev. 00 (07-2020)





Note: A second serial number label is also located on the handle stem.

Ref	Part No.	Serial Number	Description	Qty.
1	82681	(000000-)	Bracket Wldt, Lpg Mount	1
∇ 2	63810	(000000-)	Latch Assy, Lpg Tank Mtg, W/Nut	4
▲ 3	51839	(000000-)	Nut Adjustable, Lpg Tank Mtg	2
4	49263	(000000-)	Tie, Cable	3
(D)	82556	(000000- 001039)	Bracket, Vaporizer	1
	54930	(000000-)	Vaporizer, LPG	1

HOW TO ORDER PARTS - See diagram above

Only use TENNANT Company supplied or equivalent parts. Parts and supplies may be ordered online, by phone, by fax or by mail.

Follow the steps below to ensure prompt delivery.

1. (A) Identify the machine model.
2. (B) Identify the machine serial number from the data label.
3. (C) Ensure the proper serial number is used from the parts list.
4. Identify the part number and quantity. Do not order by page or reference numbers.
5. Provide your name, company name, customer ID number, billing and shipping address, phone number and purchase order number.
6. Provide detail shipping instructions.

- (D) ∇ - identifies an assembly
 ▲ - identifies parts included in assembly

Please fill out at time of installation for future reference.

Model No. - _____

Serial No. - _____

Machine Options - _____

Sales Rep. - _____

Sales Rep. phone no. - _____

Customer ID Number - _____

Installation Date - _____

Tennant Company
 PO Box 1452
 Minneapolis, MN 55440 USA
 Phone: (800) 553- 8033
 www.tennantco.com

Specifications and parts are subject to change without notice.

Copyright © 2020 TENNANT Company, Printed in U.S.A.

STANDARD PARTS

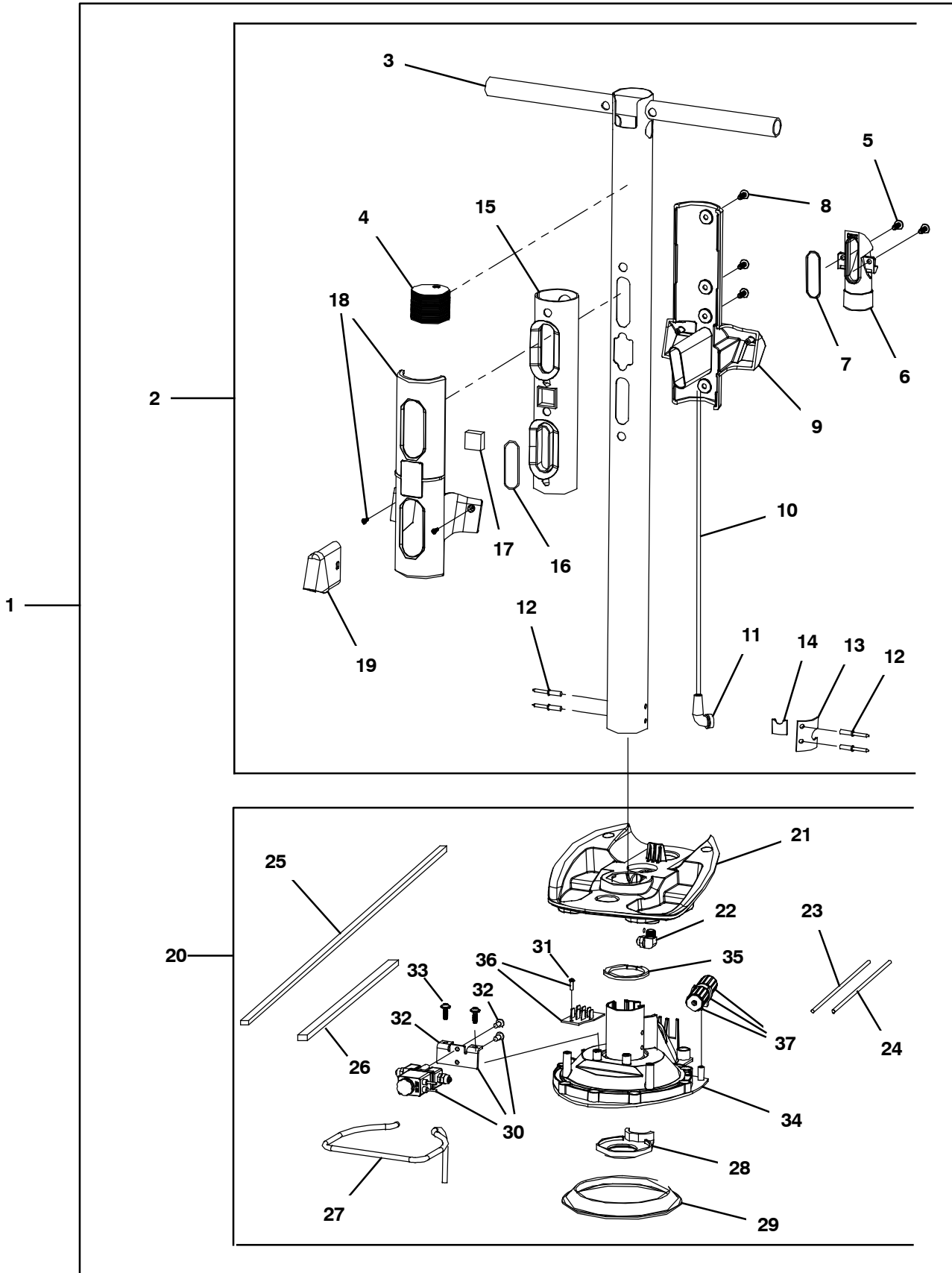
RECOMMENDED SPARE PARTS LIST 5
HANDLE ASSEMBLY 6
HANDLE ASSEMBLY - CONT'D 8
CONTROL CONSOLE ASSEMBLY 10
CLEAN WATER TANK ASSEMBLY 12
DIRTY WATER TANK ASSEMBLY 14
SCRUB HEAD ASSEMBLY 16
BRUSH MOTOR ASSEMBLY 18
BRUSH DRIVER ASSEMBLY 20
PAD DRIVER ASSEMBLY 22
SQUEEGEE ASSEMBLY 24
MAIN LEVER ASSEMBLY 26
BATTERY PACK ASSEMBLY 28
BATTERY CHARGER ASSEMBLY 30
I-CART TROLLEY ASSEMBLY (OPTION) 32
WALL CHARGERS (OPTION) 34
ELECTRICAL DIAGRAM 36

TABLE OF CONTENTS

RECOMMENDED SPARE PARTS LIST

Part No.	Serial Number	Description	Qty.
1232578	(330000-) Brush, Med, Blu, 9.0 [XI Qty 2] (Standard - Medium Duty Daily Scrubbing)	1
1232608	(330000-) Brush, Soft, Lt Blu, 9.0 [XI Qty 2] (Option - Soft Light Duty Cleaning)	1
1232607	(330000-) Brush, Hard, Red, 9.0 [XI Qty 2] (Option - Heavy Duty Deep Cleaning & Grout)	1
1233556	(330000-) Brush, Med, Blu, 9.0 [XI W/grn Lock Qty 2] (Option - Medium Duty Daily Scrubbing)	1
1233557	(330000-) Brush, Med, Blu, 9.0 [XI W/red Lock Qty 2] (Option - Medium Duty Daily Scrubbing)	1
1233559	(330000-) Brush, Med, Blu, 9.0 [XI W/ylw Lock Qty 2] (Option - Medium Duty Daily Scrubbing)	1
1232613	(330000-) Pad, Driver, 9.2 [XI Qty2]	1
1234346	(330000-) Pad, Red, 8.5 [XI Qty 10 Pads] (Cleaning)	1
1234347	(330000-) Pad, Wht, 8.5 [XI Qty 10 Pads] (Buffing)	1
1234348	(330000-) Pad, Green, 8.5 [XI Qty 10 Pads] (Scrubbing)	1
1234350	(330000-) Pad, Blu, 8.5 [XI Qty 10 Pads] (Scrubbing)	1
1234344	(330000-) Pad, Blk, 8.5 [XI Qty 10 Pads] (Light Stripping)	1
1232649	(330000-) Pad, Grn, 8.5 [XI Twister Qty 2] (Diamond Polishing Pad - Daily Cleaning)	1
1232645	(330000-) Pad, Ylw, 8.5 [XI Twister Qty 2] (Diamond Polishing Pad - Periodic Cleaning)	1
1232650	(330000-) Pad, Wht, 8.5 [XI Twister Qty 2] (Diamond Polishing Pad - Deep Cleaning)	1
1232651	(330000-) Pad, Red, 8.5 [XI Twister Qty 2] (Diamond Polishing Pad - Deep Cleaning Aggressive)	1
1232647	(330000-) Pad, Orng, 8.5 [XI Twister Qty 2] (Diamond Polishing Pad - Ceramic Tiles)	1
1232648	(330000-) Pad, Blu, 8.5 [XI Twister Qty 2] (Diamond Polishing Pad - High Traffic Areas)	1
1232627	(330000-) Blade, Sqge, Front, 22.4 [XI]	1
1232629	(330000-) Blade, Sqge, Rear, 24.0 [XI Lina] (Standard)	1
1232635	(330000-) Blade, Sqge, Rear, 24.0 [XI Ure] (Option)	1
1232579	(330000-) Motor, Brush, Rh	1
1232582	(330000-) Motor, Brush, Lh	1
1251758	(330000-) Circuitboard, Cntrl [XI Plus]	1
1251756	(330000-) Circuitboard, Main, w/cutoff [imop]	1
1252648	(330000-) Valve Assy, Copper, w/ Connectors (Includes Fixation Plate and Mounting Screws)	1
1232481	(330000-) Connector Assy, Upt, Sigar (Incl Clip and Mount Screw)	1
1232673	(330000-) Caster Assy, Sqge	3
1232674	(330000-) Fan, Vac (Assembly Complete - Includes Seals)	1
1232675	(330000-) Cover, Brush, Motor	1
1232590	(330000-) Hinge Assy, Lever	1
1232698	(330000-) Transport Kit, Caster, Rh	1
1232700	(330000-) Transport Kit, Caster, Lh	1
1232676	(330000-) Clip, Retaining, Tank	1
1232519	(330000-) Coupling, Water	1
1232677	(330000-) Connector, Hose, Sqge	1
1232684	(330000-) Knob, Cntrl (Silver)	1
1232587	(330000-) Hose Assy, Stretch	1
1251765	(330000-) Float Asm, Ball [xl & xxl plus imop]	1
1246484	(330000-) Grip, Handle [Set Of 2 xl Imop]	1
1232100	(330000-) Battery Kit [I- Mop Left & Right]	1
1250527	(330000-) Charger, Bat (Plus Model 3pin)	1

HANDLE ASSEMBLY



HANDLE ASSEMBLY

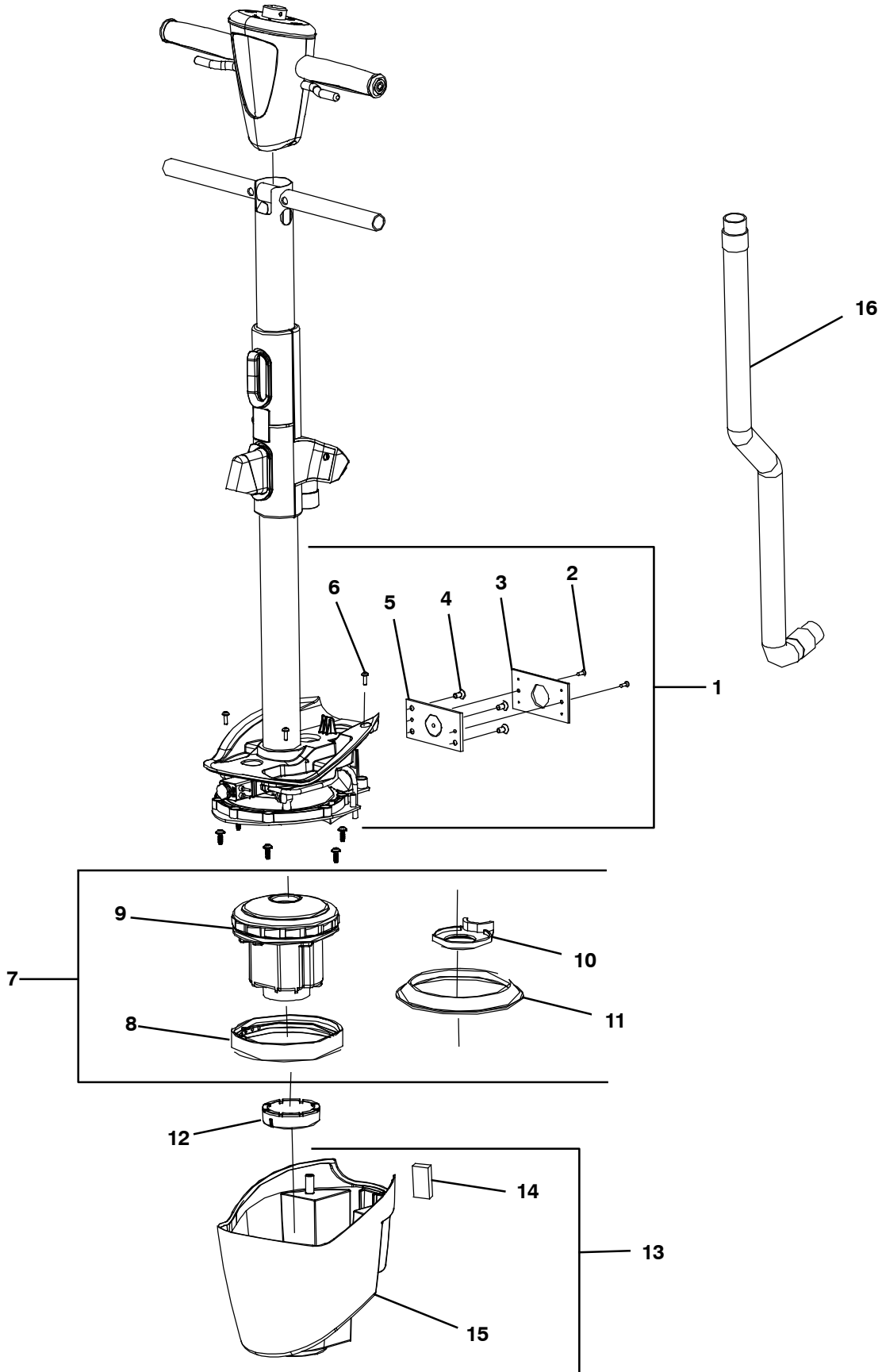
Ref.	Part No.	Serial Number	Description	Qty.
	1	1232443	(330000-) Tube Assy, Inlet (Entire Assy Includes Items #2- 37)	1
▽	2	1232708	(330000-) Tube Kit, Inlet (Includes Items #2- 19 Only)	1
▲▽		1246355	(330000-) Handle Asm, Weldment [XI Imop]	1
▲▲	3	1237800	(330000-) Handle Wldt, Tube xl&xxl	1
▲▲	4	N/A	(330000-) End Cap Inlet Tube	1
▲	5	N/A	(330000-) Screw Wn 5451 25x10 Ejot Delta Pt	2
▲	6	1234958	(330000-) Connector, Hose, Squeegee [Imop]	1
▲	7	N/A	(330000-) Gasket For Hose Connector	1
▲▽		1246357	(330000-) Holder, Tank, Rear [XI & Xxl Imop]	1
▲▲	8	N/A	(330000-) Screw Wn 5451 50x25 Ejot Delta Pt	10
▲▲	9	N/A	(330000-) Tank Holder Rear	1
▲▽		1246358	(330000-) Tube, Cable, Utp [XI & Xxl Imop]	1
▲▲	10	1232494	(330000-) Cable, Connector, Cntrl [Utp]	1
▲▲	11	N/A	(330000-) Power Cable Guiding Rubber	1
▲▲	12	N/A	(330000-) Rivet With Dia. 5mm & Length 10mm	4
▲▲	13	N/A	(330000-) Sealing Pressure Plate	1
▲▲	14	N/A	(330000-) Sealing Rubber Sheet Al Tube	1
▲▽		1246360	(330000-) Seal Kit, Compartment, Dirt [XI & Xxl]	1
▲▲	15	1234957	(330000-) Seal, Tank, Recvy [Imop]	1
▲▲	16	N/A	(330000-) O- ring Wire Dia. 3mm, Od 46mm	1
▲▲	17	N/A	(330000-) Magnet Top Unit Small 20x20x10mm	1
▲	18	1246366	(330000-) Holder, Tank, Front [XI & Xxl Imop]	1
▲	19	1234953	(330000-) Deflector, Tank, Recvy [Imop]	1
▽	20	1232710	(330000-) Motor Kit, Top	1
▲	21	1246367	(330000-) Motor Hsg, Unit, Top [XI & Xxl]	1
▲	22	1246369	(330000-) Connector, Metal, Angle [XI & Xxl Imop]	1
▲▽		1246373	(330000-) Wire, Terminal, Motor [XI & Xxl Imop]	1
▲▲	23	N/A	(330000-) 187 Terminal + Wire 14awg Red, L=280mm 250 Terminal	1
▲▲	24	N/A	(330000-) 187 Terminal + Wire 14awg Blk, L=280mm 250 Terminal	1
▲▽		1246370	(330000-) Gasket Set, Sealing, Motr [XI & Xxl Imop]	1
▲▲	25	N/A	(330000-) Sealing Gasket Eva 3x1.5x593mm	1
▲▲	26	N/A	(330000-) Sealing Gasket Eva 4x2.5x150mm	1
▲	27	N/A	(330000-) Water Channel Dia. 6mm L:225mm	1
▲▽		1246375	(330000-) Gasket Set, Motor, Vacuum [XI & Xxl]	1
▲▲	28	N/A	(330000-) Center Sealing Gasket Top Vacuum Motor	1
▲▲	29	N/A	(630000-) Vacuum Motor Sealing Top	1
▽	30	1252648	(630000-) Valve Asm, Complete, w/ wire connector [XI & Xxl]	1
▲▲	31	1234975	(630000-) Screw, Flt, Soc, M4 X 10 Ss [10x, Imop]	2
▲▲	32	N/A	(630000-) Megnetic Ventil Fixation Plate Stainless Steel	1
▲▽		1246374	(630000-) Connector Kit, Motor, Vacuum [XI & Xxl] (Includes Items #33- 37)	1
▲▲	33	N/A	(630000-) Screw M3x12 Crosshead Selftapping Bl- ni Sst	2
▲▲	34	N/A	(630000-) Motor Unit Frame	1
▲▲	35	N/A	(630000-) Motor Unit Frame Rubber	1
▲	36	1232486	(630000-) Circuitboard, Valve (Includes Item #31)	1
▲	37	1232481	(630000-) Connector Assy, Upt, Sigar (Includes Clip and Mounting Screw)	1

▽ ASSEMBLY

▲ INCLUDED IN ASSEMBLY

N/A = NOT AVAILABLE SEPARATELY - MUST ORDER ASSEMBLY (▽)

HANDLE ASSEMBLY - CONT'D



HANDLE ASSEMBLY - CONT'D

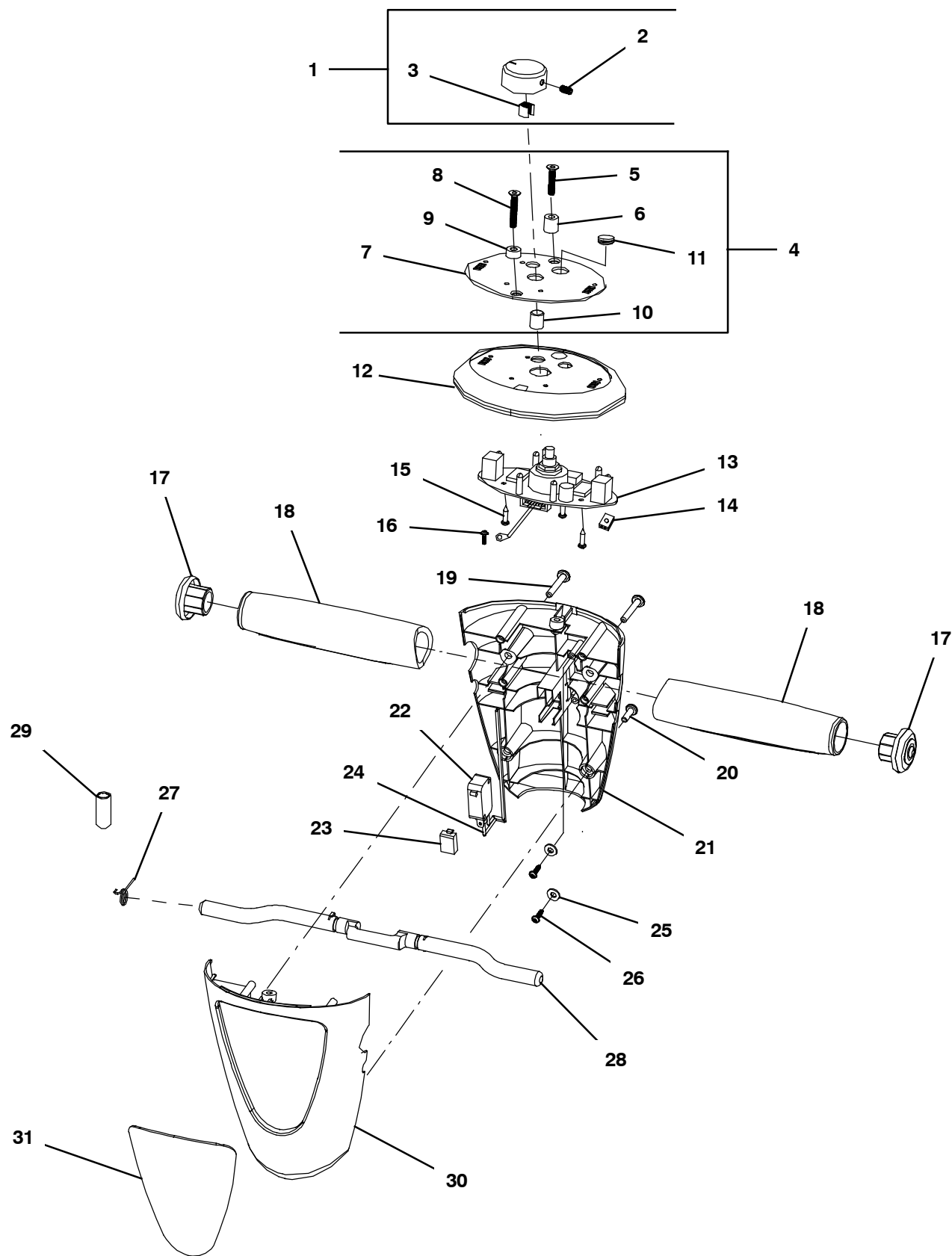
	Ref.	Part No.	Serial Number	Description	Qty.
▽	1	1232694	(330000-) Hinge Kit, Lever	1
▲	2	N/A	(330000-) Count Sunk Screw N3.5x13 Philips Head	2
▲	3	N/A	(330000-) Plastic Plate For Hinge Welding Assy	1
▲	4	1234974	(330000-) Screw, Flt, Soc, M6 X 12 NI [10x, Imop]	4
▲	5	N/A	(330000-) Hinge Welding Assy Top Unit	1
▲	6	N/A	(330000-) Screw M4x12	4
▽	7	1232674	(330000-) Fan, Vac (Complete Assembly - Includes Seals)	1
▲	8	N/A	(330000-) Vac Motor Sealing Support	1
▲	9	N/A	(330000-) Domel Vacuum Cleaner Motor	1
▲	10	N/A	(330000-) Center Sealing Gasket Top Vacuum Motor	1
▲	11	N/A	(630000-) Vacuum Motor Sealing Top	1
	12	N/A	(330000-) Vac Motor Sealing Bottom	1
▽	13	1232711	(330000-) Cover Kit, Fan	1
▲	14	N/A	(330000-) Magnet Top Unit	1
▲	15	N/A	(330000-) Motor Unit Cover	1
	16	1232587	(330000-) Hose Assy, Stretch	1

▽ ASSEMBLY

▲ INCLUDED IN ASSEMBLY

N/A = NOT AVAILABLE SEPARATELY - MUST ORDER ASSEMBLY (▽)

CONTROL CONSOLE ASSEMBLY



CONTROL CONSOLE ASSEMBLY

Ref.	Part No.	Serial Number	Description	Qty.
▽	1	1232684	(330000-) Knob Kit, Housing, Top [xl]	1
▲	2	N/A	(330000-) Hexagon Socket Set Screw M4 x 8	1
▲	3	N/A	(330000-) Fixation Insert Turning Button	1
▽	4	1246339	(330000-) Hardware Kit, Control Hsg [xl/plus Imop]	1
▲	5	N/A	(330000-) M4x25 Countersunk Screw Stainless Steel	1
▲	6	N/A	(330000-) Support Plastic Bush Top AI Sticker Long	1
▲	7	N/A	(330000-) Decal Kit, Instr, Dash [xl/plus]	1
▲	8	N/A	(330000-) M4x20 Countersunk Screw Stainless Steel	1
▲	9	N/A	(330000-) Support Plastic Bush Top AI Sticker Short	1
▲	10	N/A	(330000-) Water Save Button	1
▲	11	N/A	(330000-) Rubber Block Water Save Adjustment Hole[A]	1
	12	1252788	(330000-) Control, Hsg, Top [w/bumper xl & xxl]	1
▽		N/A	(330000-) Circuitboard Kit, W/Hardware [XI plus Imop]	1
▲	13	1251758	(330000-) Circuitboard, Cntrl [XL&XXL Plus Imop]	1
▲	14	N/A	(330000-) Switch Wire Clamp, Color: Black	1
▲	15	N/A	(330000-) Screw M3x12 Crosshead Selftapping Bl- ni Sst	3
▲	16	N/A	(330000-) Screw 4x10	1
▽		1246484	(330000-) Grip, Handle [xl Imop Set Of 2]	1
▲	17	N/A	(330000-) End Cap Grip, Color: Blue (P312C)	2
▲	18	1234963	(330000-) Grip, Handle [xl I- Mop Set Of 2]	1
▽		1246342	(330000-) Housing Kit, Rear, W/Hardware [XI & Xxl]	1
▲	19	N/A	(330000-) Screw M4x35 Crosshead, Standard Thread Sst	2
▲	20	N/A	(330000-) Screw M4x12 Crosshead, Standard Thread Sst	2
▲	21	1234959	(330000-) Housing, Control, Rear [White, Imop]	1
▽		1246344	(330000-) Switch Kit, Power [XI & Xxl Imop]	1
▲	22	N/A	(330000-) Power Switch Control Unit Omoron	1
▲	23	N/A	(330000-) Rubber Block 15x10x5mm Injected	1
▲	24	N/A	(330000-) On/Off Switch Wires / L=250mm	1
▲	25	N/A	(330000-) Plastic Washer 9x4x1mm	2
▲	26	N/A	(330000-) Screw Wn 5451 25x10 Ejot Delta Pt	2
▽		1246490	(330000-) Trigger Asm, [XI & Xxl Imop]	1
▲	27	N/A	(330000-) Spring Switch Lever Dia 0.8mm	1
▲	28	1234961	(330000-) Handle, Control [Blue, Imop]	1
	29	1246347	(330000-) Ring, Magnetic, Easy Scrub [XI & Xxl]	1
	30	1234962	(330000-) Housing, Control, Front [White, Imop]	1
	31	1251759	(330000-) Plate, Label, w/clip [xl plus Imop]	1

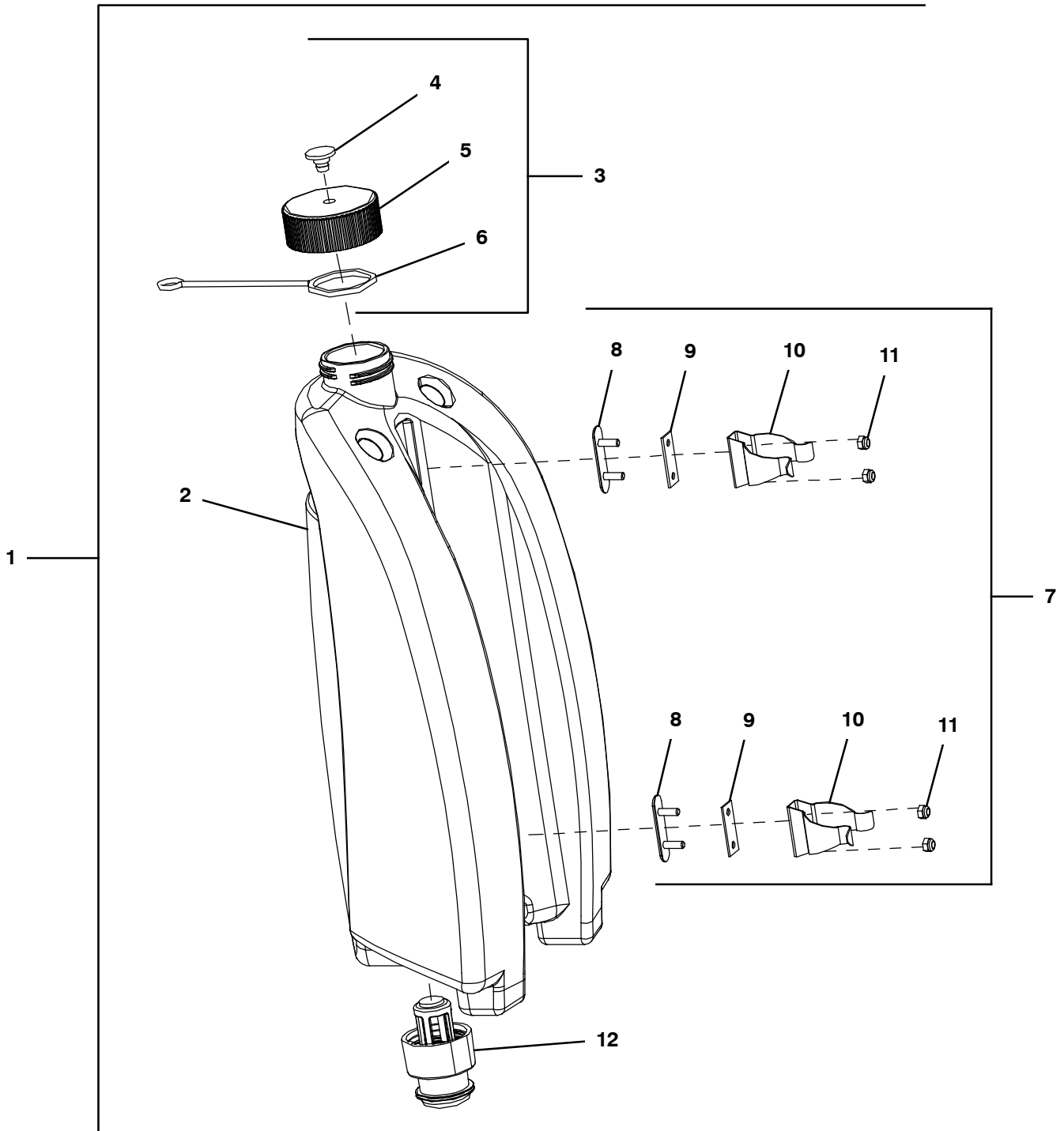
▽ ASSEMBLY

▲ INCLUDED IN ASSEMBLY

N/A = NOT AVAILABLE SEPARATELY - MUST ORDER ASSEMBLY (▽)

CLEAN WATER TANK ASSEMBLY

355576



CLEAN WATER TANK ASSEMBLY

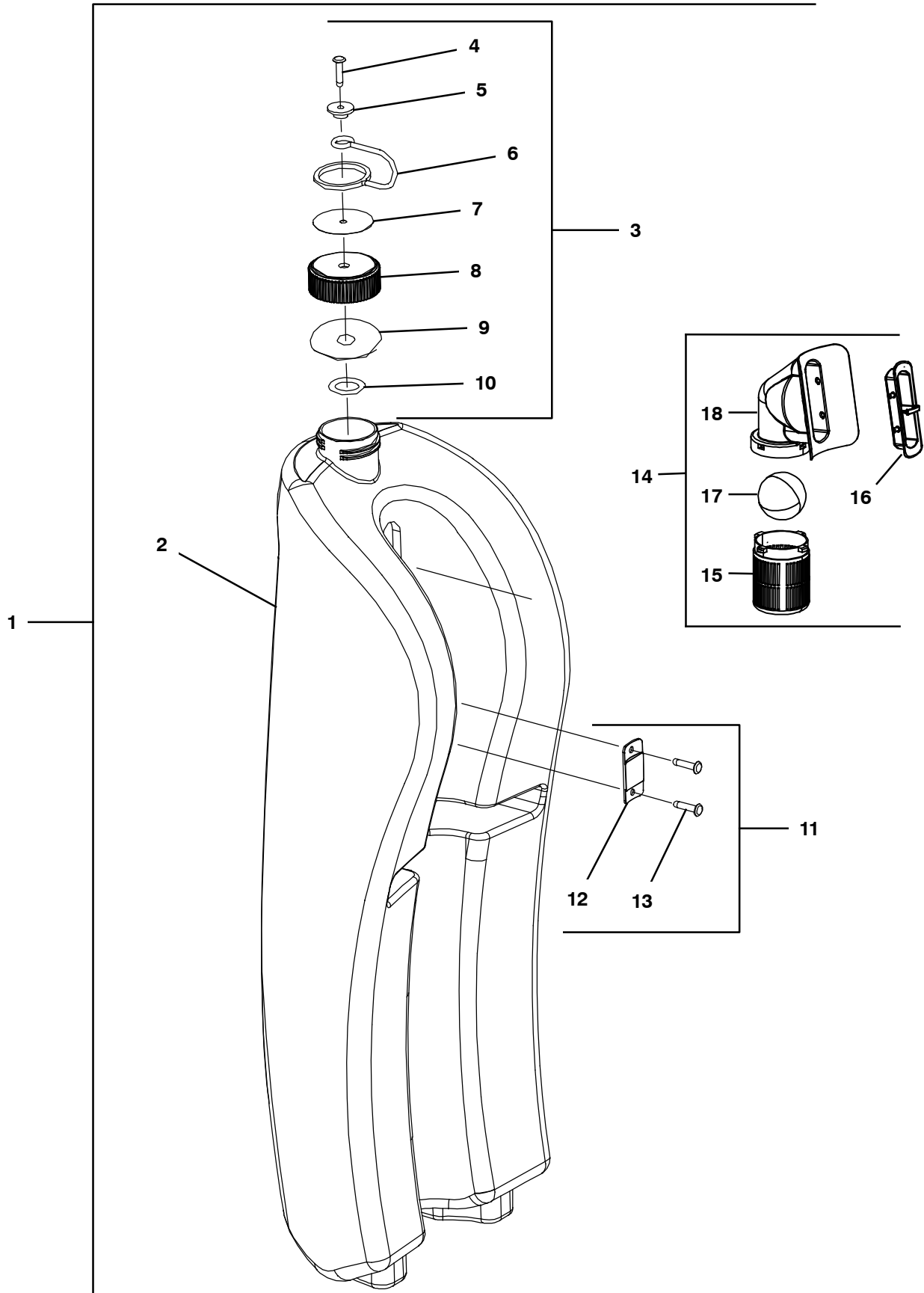
	Ref.	Part No.	Serial Number	Description	Qty.
▽	1	1232514	(330000-) Tank Assy, Sol [Blue Cap] (Standard)	1
▽	1	1232603	(330000-) Tank Assy, Sol [Red Cap] (Option)	1
▽	1	1232605	(330000-) Tank Assy, Sol [Yellow Cap] (Option)	1
▽	1	1232606	(330000-) Tank Assy, Sol [Green Cap] (Option)	1
▲	2	N/A	(330000-) Clean Water Compartment	1
▲▽	3	1232663	(330000-) Cap Kit, Tank, Sol [Blue] (Standard)	1
▲▽	3	1232665	(330000-) Cap Kit, Tank, Sol [Red] (Option)	1
▲▽	3	1232666	(330000-) Cap Kit, Tank, Sol [Yellow] (Option)	1
▲▽	3	1232667	(330000-) Cap Kit, Tank, Sol [Green] (Option)	1
▲▲	4	N/A	(330000-) Sleeve Cap Holder Clean Tank	1
▲▲	5	N/A	(330000-) Cap With Hole	1
▲▲	6	N/A	(330000-) Cap Holder	1
▲▽	7	1232676	(330000-) Clip, Retaining, Tank (Includes Qty 2 Clip Assemblies)	1
▲▲	8	N/A	(330000-) Holder Plate Clip Clean Tank	2
▲▲	9	N/A	(330000-) Rubber Cushion For Metal Clip	2
▲▲	10	N/A	(330000-) Clip, Retaining, Tank	2
▲▲	11	N/A	(330000-) Nut M4 Nylon Stainless	4
▲	12	1232519	(330000-) Coupling, Water	1

▽ ASSEMBLY

▲ INCLUDED IN ASSEMBLY

N/A = NOT AVAILABLE SEPARATELY - MUST ORDER ASSEMBLY (▽)

DIRTY WATER TANK ASSEMBLY



DIRTY WATER TANK ASSEMBLY

	Ref.	Part No.	Serial Number	Description	Qty.
▽	1	1251757	(330000-) Tank Assy, Rec [xl plus imop]	1
▲	2	N/A	(330000-) Dirty Water Compartment	1
▲▽	3	1232661	(330000-) Cap Kit, Tank, Rec	1
▲▲	4	N/A	(330000-) Blind Rivet Nail 4 X 15 Mmg	1
▲▲	5	N/A	(330000-) Sleeve Cap Holder	1
▲▲	6	N/A	(330000-) Cap Holder	1
▲▲	7	N/A	(330000-) Warning Plate On Dirty Tank Round Stainless 4.5mm	1
▲▲	8	N/A	(330000-) Cap Without Hole	1
▲▲	9	N/A	(330000-) Sealing Gasket Cap Dirty Tank	1
▲▲	10	N/A	(330000-) Plastic Washer 9x4x1mm	1
▲▽	11	1232600	(330000-) Plate, Mtg, Tank	1
▲▲	12	N/A	(330000-) Fixation Plate Dirt Compartment	1
▲▲	13	N/A	(330000-) Blind Rivet Nail 4 X 15 Mmg	2
▲▽	14	1251765	(330000-) Float Asm, Ball [xl & xxl plus imop]	1
▲▲	15	1251766	(330000-) Cage, Ball, Float [xl &xxl plus imop]	1
▲▲	16	1251767	(330000-) Support, Housing [xl & xxl plus imop]	1
▲▲	17	1251768	(330000-) Ball, Float [xl &xxl plus imop]	1
▲▲	18	1251769	(330000-) Housing, Ball, Float [xl &xxl plus imop]	1

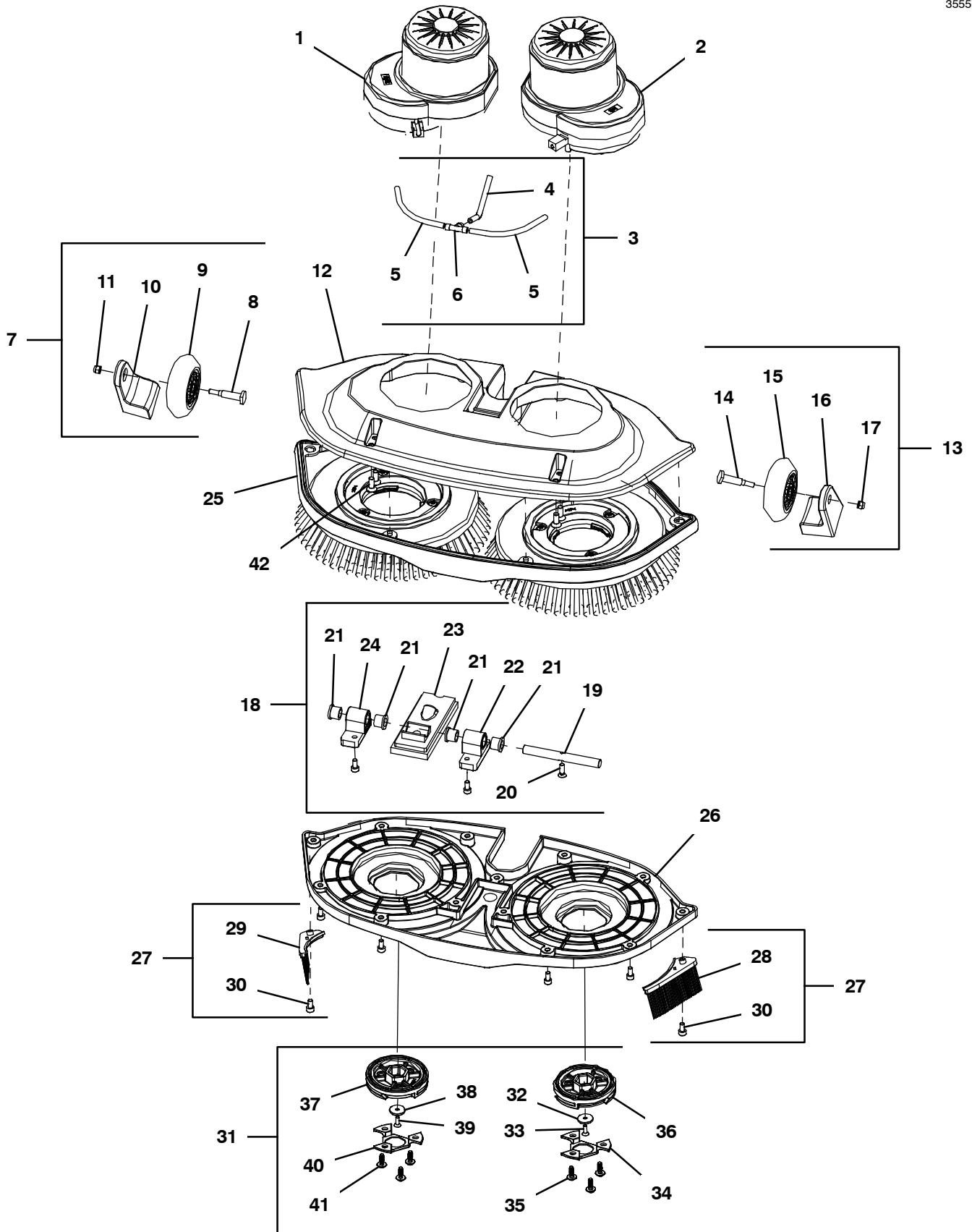
▽ ASSEMBLY

▲ INCLUDED IN ASSEMBLY

N/A = NOT AVAILABLE SEPARATELY - MUST ORDER ASSEMBLY (▽)

SCRUB HEAD ASSEMBLY

355577



SCRUB HEAD ASSEMBLY

Ref.	Part No.	Serial Number	Description	Qty.	
1	1232579	(330000-) Motor, Brush, Rh	1	
2	1232582	(330000-) Motor, Brush, Lh	1	
▽	3	1232693	(330000-) Fitting Assy, Water Channel [Imop]	1
▲	4	N/A	(330000-) Water Channel Dia. 6mm L:690mm	1
▲	5	N/A	(330000-) Water Channel Dia. 4mm L:110mm	2
▲	6	N/A	(330000-) Water Coupling Brush Motor	1
▽	7	1232698	(330000-) Transport Kit, Caster, Rh	1
▲	8	N/A	(330000-) Shaft Transport Caster	1
▲	9	N/A	(330000-) Transport Caster	1
▲	10	N/A	(330000-) Transport Wheel Pilar Right	1
▲	11	N/A	(330000-) Nut M5 Nylon	1
	12	1232586	(330000-) Cover, Motor, Brush	1
▽	13	1232700	(330000-) Transport Kit, Caster, Lh	1
▲	14	N/A	(330000-) Shaft Transport Caster	1
▲	15	N/A	(330000-) Transport Caster	1
▲	16	N/A	(330000-) Transport Wheel Pilar Left	1
▲	17	N/A	(330000-) Nut M5 Nylon	1
▽	18	1232714	(330000-) Hinge Kit, Hd, Brush	1
▲	19	N/A	(330000-) Chassis Hinge	1
▲	20	N/A	(330000-) Nylok Screw Counter Sunk Bolt M4x12	1
▲	21	1246382	(330000-) Bushing, Cover, Motor [Xxl Imop] (Includes Qty 4)	4
▲	22	N/A	(330000-) Brush Unit Hinge Support Left	1
▲	23	N/A	(330000-) Construction Cover Seal	1
▲	24	N/A	(330000-) Brush Unit Hinge Support Right	1
	25	1232687	(330000-) Bumper, Brush	1
	26	1232583	(330000-) Cover, Brush, Bottom	1
▽	27	1232660	(330000-) Shield Kit, Splash (Includes Allen Wrench Tool)	1
▲	28	N/A	(330000-) Splashing Guard Imop Left	1
▲	29	N/A	(330000-) Splashing Guard Imop Right	1
▲	30	N/A	(330000-) Nylok Hexagon Socket Head Cap Screw M5x20	2
▽	31	1232675	(330000-) Cover, Brush, Motor (Includes Qty 2 Cover Assemblies)	1
▲▽		1246378	(330000-) Drive, Brush, Left [XI & Xxl Imop]	1
▲▲	32	N/A	(330000-) Support Disk Driving Wheel Side Hole Dia 5mm	1
▲▲	33	1234973	(330000-) Screw, Flt, Soc, M5 X 18.5 Lh NI [Imop]	1
▲▲	34	N/A	(330000-) Cover Brush Motor Screw Color: Blue	1
▲▲	35	N/A	(330000-) Screw Wn 5451 50x14 Ejot Delta Pt	3
▲▲	36	N/A	(330000-) Driving Wheel Bottom Left Color: Gray	1
▲▽		1246377	(330000-) Drive, Brush, Right [XI & Xxl]	1
▲▲	37	N/A	(330000-) Driving Wheel Bottom Right Color: Gray	1
▲▲	38	N/A	(330000-) Support Disk Driving Wheel Side Hole Dia 5mm	1
▲▲	39	1234972	(330000-) Screw, Flt, Soc, M5 X 18.5 NI [10x,Imop]	1
▲▲	40	N/A	(330000-) Cover Brush Motor Screw Color: Blue	1
▲▲	41	N/A	(330000-) Screw Wn 5451 50x14 Ejot Delta Pt	3
	42	1234969	(330000-) Screw, Flt, Soc, M6 X 16 NI [10x,Imop]	1

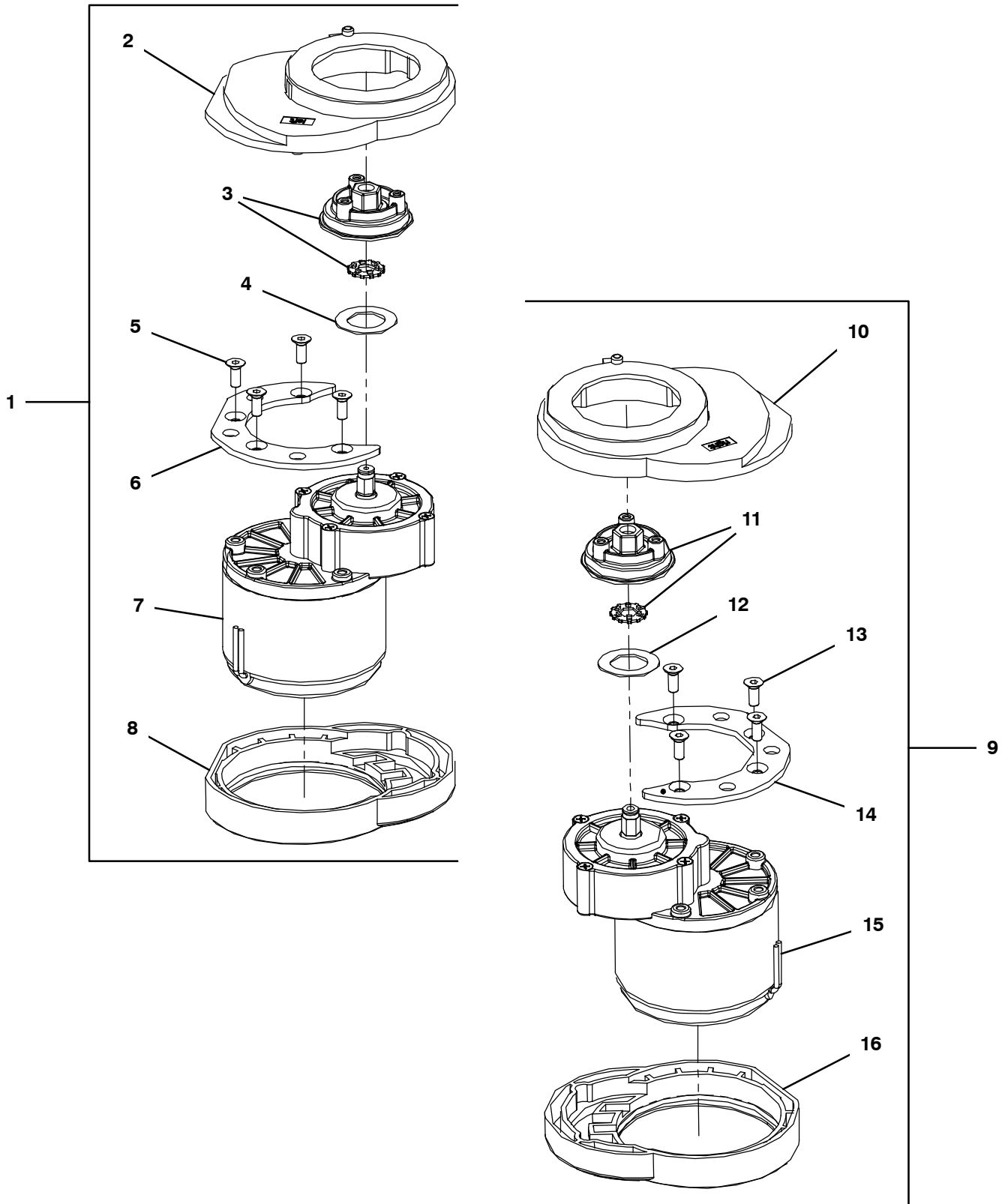
▽ ASSEMBLY

▲ INCLUDED IN ASSEMBLY

N/A = NOT AVAILABLE SEPARATELY - MUST ORDER ASSEMBLY (▽)

BRUSH MOTOR ASSEMBLY

355680



BRUSH MOTOR ASSEMBLY

	Ref.	Part No.	Serial Number	Description	Qty.
▽	1	1232582	(330000-) Motor, Brush, Lh	1
▲	2	N/A	(330000-) Brush Motor Support Rubber Left	1
▲	3	1237826	(330000-) Wheel, Driving, W/Metal Insert [Xxl]	1
▲	4	N/A	(330000-) Felt Brush Motor	1
▲	5	N/A	(330000-) Nylock Screw Counter Sunk Bolt M6 x 16	4
▲	6	N/A	(330000-) Brush Motor Construction Ring Left	1
▲	7	N/A	(330000-) Brush Motor Helical Gears Left	1
▲	8	N/A	(330000-) Brush Motor Fixation Conductive Rubber Left	1
▽	9	1232579	(330000-) Motor, Brush, Rh	1
▲	10	N/A	(330000-) Brush Motor Support Rubber Right	1
▲	11	1237826	(330000-) Wheel, Driving, W/Metal Insert [Xxl]	1
▲	12	N/A	(330000-) Felt Brush Motor	1
▲	13	N/A	(330000-) Nylock Screw Counter Sunk Bolt M6 x 16	4
▲	14	N/A	(330000-) Brush Motor Construction Ring Right	1
▲	15	N/A	(330000-) Brush Motor Helical Gears Right	1
▲	16	N/A	(330000-) Brush Motor Fixation Conductive Rubber Right	1

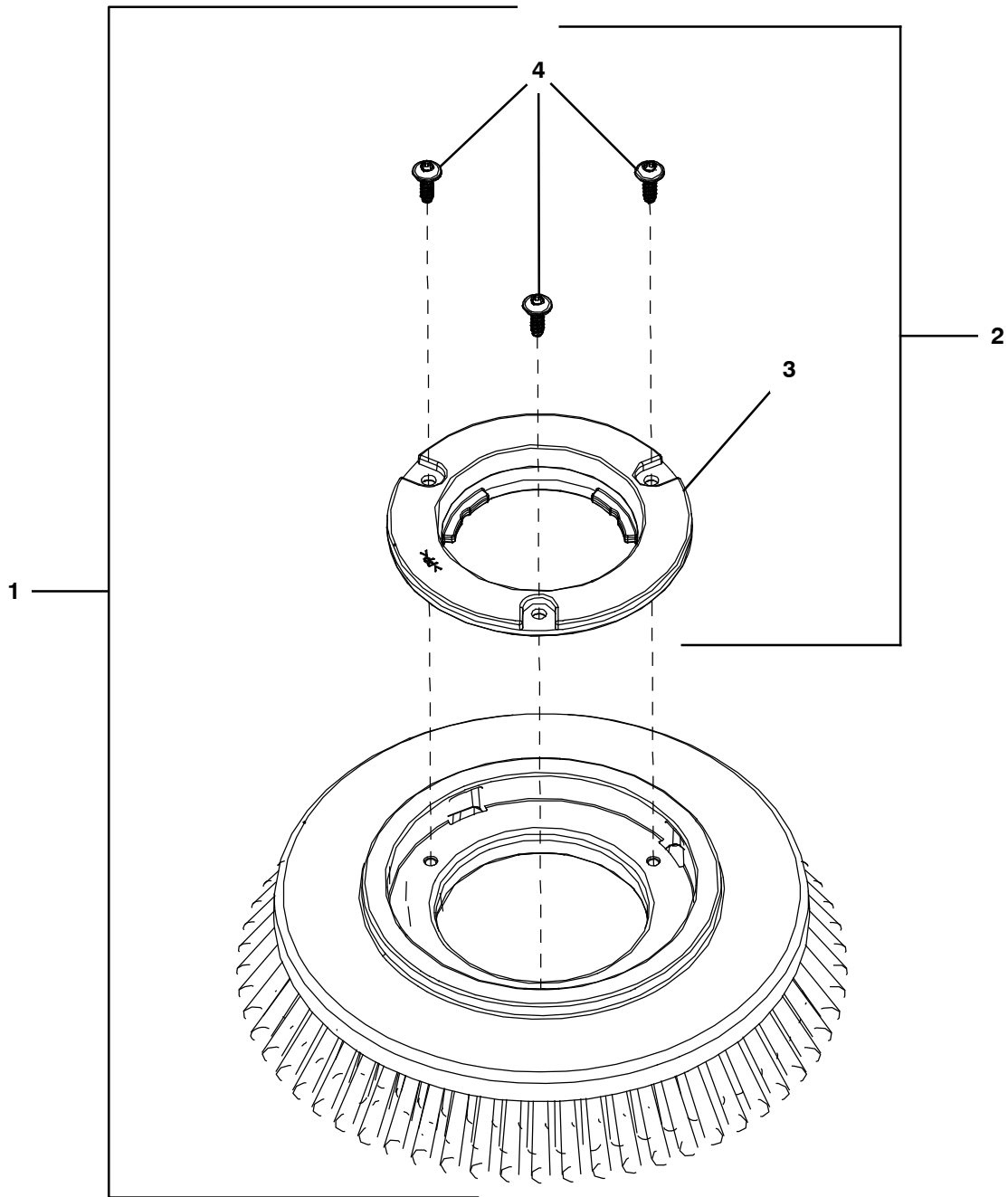
▽ ASSEMBLY

▲ INCLUDED IN ASSEMBLY

N/A = NOT AVAILABLE SEPARATELY - MUST ORDER ASSEMBLY (▽)

BRUSH DRIVER ASSEMBLY

355578



BRUSH DRIVER ASSEMBLY

Ref.	Part No.	Serial Number	Description	Qty.
∇	1	1232578	(330000-) Brush, Med, Blu, 9.0 [XI Qty 2] (Standard - Medium Duty Daily Scrubbing)	1
∇	1	1232608	(330000-) Brush, Soft, Lt Blu, 9.0 [XI Qty 2] (Option - Soft Light Duty Cleaning)	1
∇	1	1232607	(330000-) Brush, Hard, Red, 9.0 [XI Qty 2] (Option - Heavy Duty Deep Cleaning & Grout)	1
∇	1	1233556	(330000-) Brush, Med, Blu, 9.0 [XI W/grn Lock Qty 2] (Option - Medium Duty Daily Scrubbing)	1
∇	1	1233557	(330000-) Brush, Med, Blu, 9.0 [XI W/red Lock Qty 2] (Option - Medium Duty Daily Scrubbing)	1
∇	1	1233559	(330000-) Brush, Med, Blu, 9.0 [XI W/ylw Lock Qty 2] (Option - Medium Duty Daily Scrubbing)	1
▲∇	2	1232620	(330000-) Driver Kit, Brush [Blue] (Set of 2) (Standard)	1
▲∇	2	1232622	(330000-) Driver Kit, Brush [Red] (Set of 2) (Option)	1
▲∇	2	1232624	(330000-) Driver Kit, Brush [Yellow] (Set of 2) (Option)	1
▲∇	2	1232626	(330000-) Driver Kit, Brush [Green] (Set of 2) (Option)	1
▲▲	3	N/A	(330000-) Brush Locker Blue (Standard)	2
▲▲	3	N/A	(330000-) Brush Locker Red (Option)	2
▲▲	3	N/A	(330000-) Brush Locker Yellow (Option)	2
▲▲	3	N/A	(330000-) Brush Locker Green (Option)	2
▲▲	4	N/A	(330000-) Screw Wn 5451 50x14 Eجت Delta Pt	6

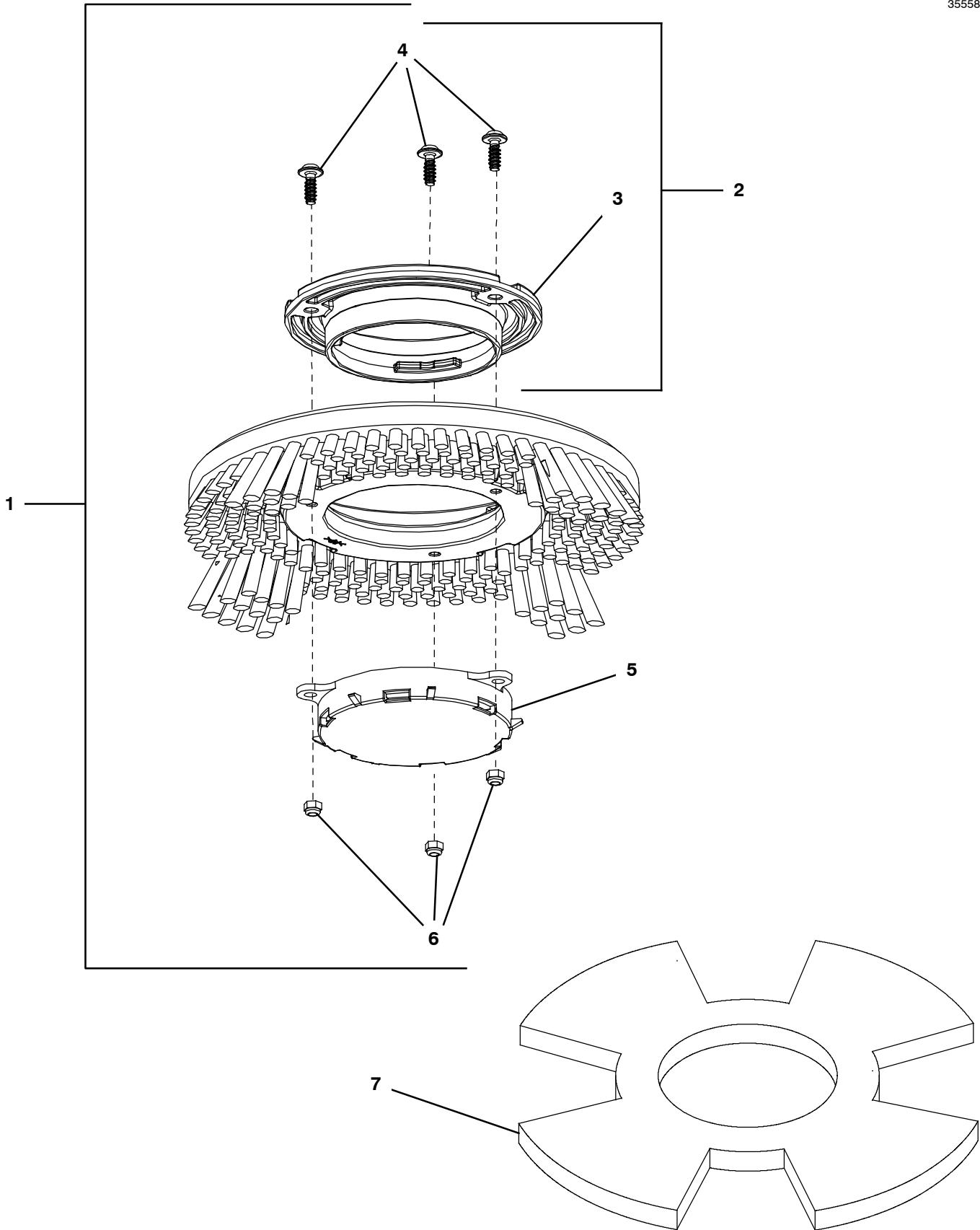
∇ ASSEMBLY

▲ INCLUDED IN ASSEMBLY

N/A = NOT AVAILABLE SEPARATELY - MUST ORDER ASSEMBLY (∇)

PAD DRIVER ASSEMBLY

355586



PAD DRIVER ASSEMBLY

	Ref.	Part No.	Serial Number	Description	Qty.
▽	1	1232613	(330000-) Pad, Drvr, 9.2 [XI Qty2]	1
▲▽	2	1232620	(330000-) Driver Kit, Brush [Blue] (Standard)	2
▲▽	2	1232622	(330000-) Driver Kit, Brush [Red] (Option)	2
▲▽	2	1232624	(330000-) Driver Kit, Brush [Yellow] (Option)	2
▲▽	2	1232626	(330000-) Driver Kit, Brush [Green] (Option)	2
▲▲	3	N/A	(330000-) Brush Locker Blue (Standard)	2
▲▲	3	N/A	(330000-) Brush Locker Red (Option)	2
▲▲	3	N/A	(330000-) Brush Locker Yellow (Option)	2
▲▲	3	N/A	(330000-) Brush Locker Green (Option)	2
▲▲	4	N/A	(330000-) Screw Wn 5451 50x14 Ejot Delta Pt	6
▲	5	N/A	(330000-) Assy Pad Holder Imop	2
▲	6	N/A	(330000-) Nut M4 Nylon Stainless	6
	7	1234346	(330000-) Pad, Red, 8.5 [XI Qty 10 Pads] (Cleaning)	1
	7	1234347	(330000-) Pad, Wht, 8.5 [XI Qty 10 Pads] (Buffing)	1
	7	1234348	(330000-) Pad, Green, 8.5 [XI Qty 10 Pads] (Scrubbing)	1
	7	1234350	(330000-) Pad, Blu, 8.5 [XI Qty 10 Pads] (Scrubbing)	1
	7	1234344	(330000-) Pad, Blk, 8.5 [XI Qty 10 Pads] (Light Stripping)	1
	7	1232649	(330000-) Pad, Grn, 8.5 [XI Twister Qty 2] (Diamond Polishing Pad - Daily Cleaning)	1
	7	1232645	(330000-) Pad, Ylw, 8.5 [XI Twister Qty 2] (Diamond Polishing Pad - Periodic Cleaning)	1
	7	1232650	(330000-) Pad, Wht, 8.5 [XI Twister Qty 2] (Diamond Polishing Pad - Deep Cleaning)	1
	7	1232651	(330000-) Pad, Red, 8.5 [XI Twister Qty 2] (Diamond Polishing Pad - Deep Cleaning Aggressive)	1
	7	1232647	(330000-) Pad, Orng, 8.5 [XI Twister Qty 2] (Diamond Polishing Pad - Ceramic Tiles)	1
	7	1232648	(330000-) Pad, Blu, 8.5 [XI Twister Qty 2] (Diamond Polishing Pad - High Traffic Areas)	1

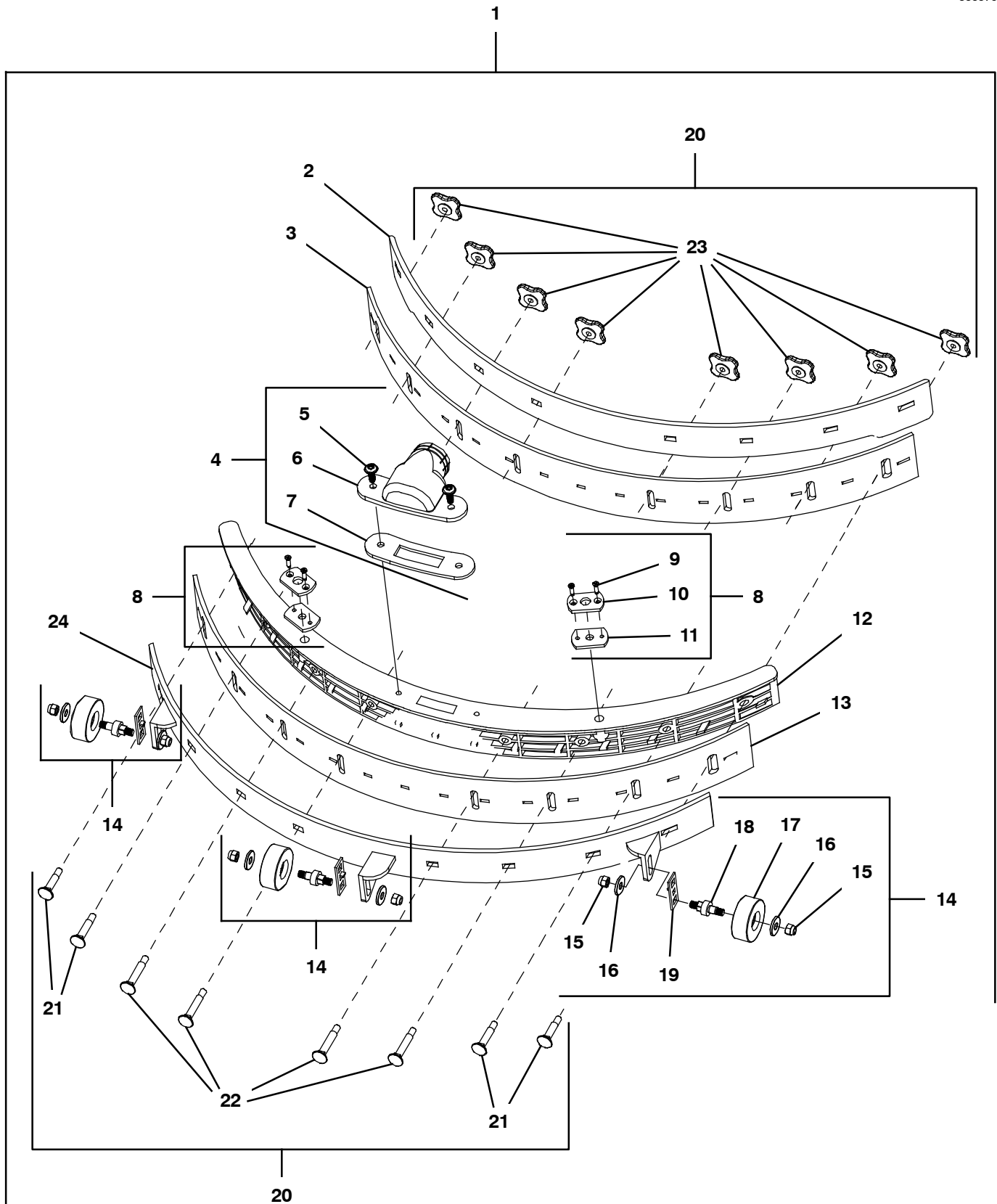
▽ ASSEMBLY

▲ INCLUDED IN ASSEMBLY

N/A = NOT AVAILABLE SEPARATELY - MUST ORDER ASSEMBLY (▽)

SQUEEGEE ASSEMBLY

355579



SQUEEGEE ASSEMBLY

Ref.	Part No.	Serial Number	Description	Qty.
▽	1	1232588	(330000-) Squeegee Assy, Scrbr	1
▲	2	1234369	(330000-) Plate, Rear, Squeegee [Imop]	1
▲	3	1232627	(330000-) Blade, Sqge, Front, 22.4 [XI]	1
▲▽	4	1232677	(330000-) Connector, Hose, Sqge	1
▲▲	5	N/A	(330000-) Screw Wn 5451 50x14 Ejot Delta Pt	2
▲▲	6	N/A	(330000-) Squeegee Hose Connector- Up Yellow	1
▲▲	7	1234956	(330000-) Gasket, Hose, Squeegee [Imop]	1
▲▽	8	1232696	(330000-) Retaining Kit, Sqge (Includes Qty 2 Retaining Assemblies)	1
▲▲	9	N/A	(330000-) M3x10 Countersunk Self Tap Screw	4
▲▲	10	1234947	(330000-) Plate, Mtg, Sqge [Blue, Imop] (Qty 1)	2
▲▲	11	1233871	(330000-) Washer, Rbr, Sqge [Black, Imop] (Qty 1)	2
	11	1234948	(330000-) Washer, Rbr, Sqge [Black, Imop, Qty 100]	1
▲	12	1234368	(330000-) Plate, Top, Squeegee [Imop]	1
▲	13	1232629	(330000-) Blade, Sqge, Rear, 24.0 [XI Lina] (Standard)	1
	13	1232635	(330000-) Blade, Sqge, Rear, 24.0 [XI Ure] (Option)	1
▲▽	14	1232673	(330000-) Caster Assy, Sqge (Includes Qty 3 Caster Assemblies And Item #8 Retaining Assemblies)	1
▲▲	15	N/A	(330000-) Nut M5 Nylon	6
▲▲	16	N/A	(330000-) M5 Washer Stainless Steel 5x15x1mm	6
▲▲	17	N/A	(330000-) Squeegee Castor Gray Dia 8mm	3
▲▲	18	N/A	(330000-) Shaft Squeegee Castor Dia 8mm	3
▲▲	19	N/A	(330000-) Height Adjustment Plate	3
▲▽	20	1232688	(330000-) Knob Kit, Retainer, Sqge	1
▲▲	21	N/A	(330000-) M5 Screw Bolt, Thread Length 30	4
▲▲	22	N/A	(330000-) M5 Screw Bolt, Thread Length 35	4
▲▲	23	N/A	(330000-) Plastic Nut Squeegee	8
▲	24	1234358	(330000-) Plate, Rear, Sqge [Wheel Side Imop]	1

▽ ASSEMBLY

▲ INCLUDED IN ASSEMBLY

N/A = NOT AVAILABLE SEPARATELY - MUST ORDER ASSEMBLY (▽)

MAIN LEVER ASSEMBLY

Ref.	Part No.	Serial Number	Description	Qty.
▽	1	N/A	(330000-) Lever Assy, Handle [XI plus imop]	1
▲▽	1246384	(330000-)	Cover, Lever, Main [XI Imop]	1
▲▲	2	N/A	(330000-) Pcb Machine Seal	2
▲▲	3	N/A	(330000-) Sticker Imop [Strong Magnets]	1
▲▲	4	N/A	(330000-) Main Lever Cover Color: White	1
▲▲	5	N/A	(330000-) Cover Usb Update Slot Color: White	1
▲▲	6	N/A	(330000-) Screw Counter Sunk M1.7x6	1
▲▽	1246386	(330000-)	Connector, Battery, Rh [XI & Xxl Imop]	1
▲▲	7	N/A	(330000-) Alignment Pin Longer Version	2
▲▲	8	N/A	(330000-) Battery Connector Male Right Color: Gray	1
▲▲	9	N/A	(330000-) Screw Wn 5451 25x10 Ejot Delta Pt	2
▲▽	1246387	(330000-)	Connector, Battery, Lh [XI & Xxl Imop]	1
▲▲	10	N/A	(330000-) Alignment Pin Longer Version	2
▲▲	11	N/A	(330000-) Battery Connector Male Left Color: Blue	1
▲▲	12	N/A	(330000-) Screw Wn 5451 25x10 Ejot Delta Pt	2
▲▽	N/A	(330000-)	Control, Circuit, Battery [XI & Xxl Imop]	1
▲▲	13	N/A	(330000-) Magnet Top Unit Holder Color: Gray	1
▲▲	14	N/A	(330000-) Steel Cover Isolation Magnet T=3mm	1
▲▲	15	1251756	(330000-) Circuitboard, Main, w/cutoff [imop]	1
▲▲	16	N/A	(330000-) Magnet Top Unit 40x20x10mm	1
▲▽	1246391	(330000-)	Lever Housing, Main [XI & Xxl Imop]	1
▲▲	17	1234954	(330000-) Housing, Lever, Main [Imop]	1
▲▲	18	N/A	(330000-) Screw Wn 5451 50x14 Ejot Delta Pt	8
▲	19	N/A	(330000-) Bottom Name Plate + Laser Print Tennant	1
▲▽	1246389	(330000-)	Plate Asm, Hinge [XI & Xxl Imop]	1
▲▲	20	1234955	(330000-) Plate, Sppt, Lever (2pc) [Imop]	2
▲▲	21	1234971	(330000-) Screw, Flt, Soc, M3 X 8 Ss NI [10x,Imop]	4
▲▲	22	1234976	(330000-) Screw, Flt, Soc, M5 X 16 NI [10x, Imop]	2
▲▽	23	1232590	(330000-) Hinge Assy, Lever	1
▲▲	24	1237828	(330000-) Hardware Kit, Disk, Screw, Cover [Imop]	1
▲	25	1246385	(330000-) Pin, Squeegee [XI & Xxl Imop] (Includes Qty 2)	2
▲▽	1246388	(330000-)	Lever Asm, Main, Utp [XI & Xxl Imop]	1
▲▲	26	N/A	(330000-) Male Connector + Wires 14awg Red 150mm	2
▲▲	27	N/A	(330000-) Male Connector + Connector Wires 14awg Black 150mm	2
▲▲	28	N/A	(330000-) Wires For Brush Unit 14awg Black L=280mm	2
▲▲	29	N/A	(330000-) Wires For Brush Unit 14awg Red L=280mm	2
▲▲	30	N/A	(330000-) Power Cable 3 Wires [1.5mm 2 L=630mm]	1
▲▲	31	1234977	(330000-) Cable, Utp, 60cm L [Connector Be, Imop]	1
▲	32	N/A	(330000-) Brush Motor Cooling Cover Right Color: White	1
▲	33	N/A	(330000-) Brush Motor Cooling Cover Right Color: White	1
▲	34	N/A	(330000-) Screw Wn 5451 50x14 Ejot Delta Pt	4
▲	35	N/A	(330000-) Screw Wn 5451 25x10 Ejot Delta Pt	12

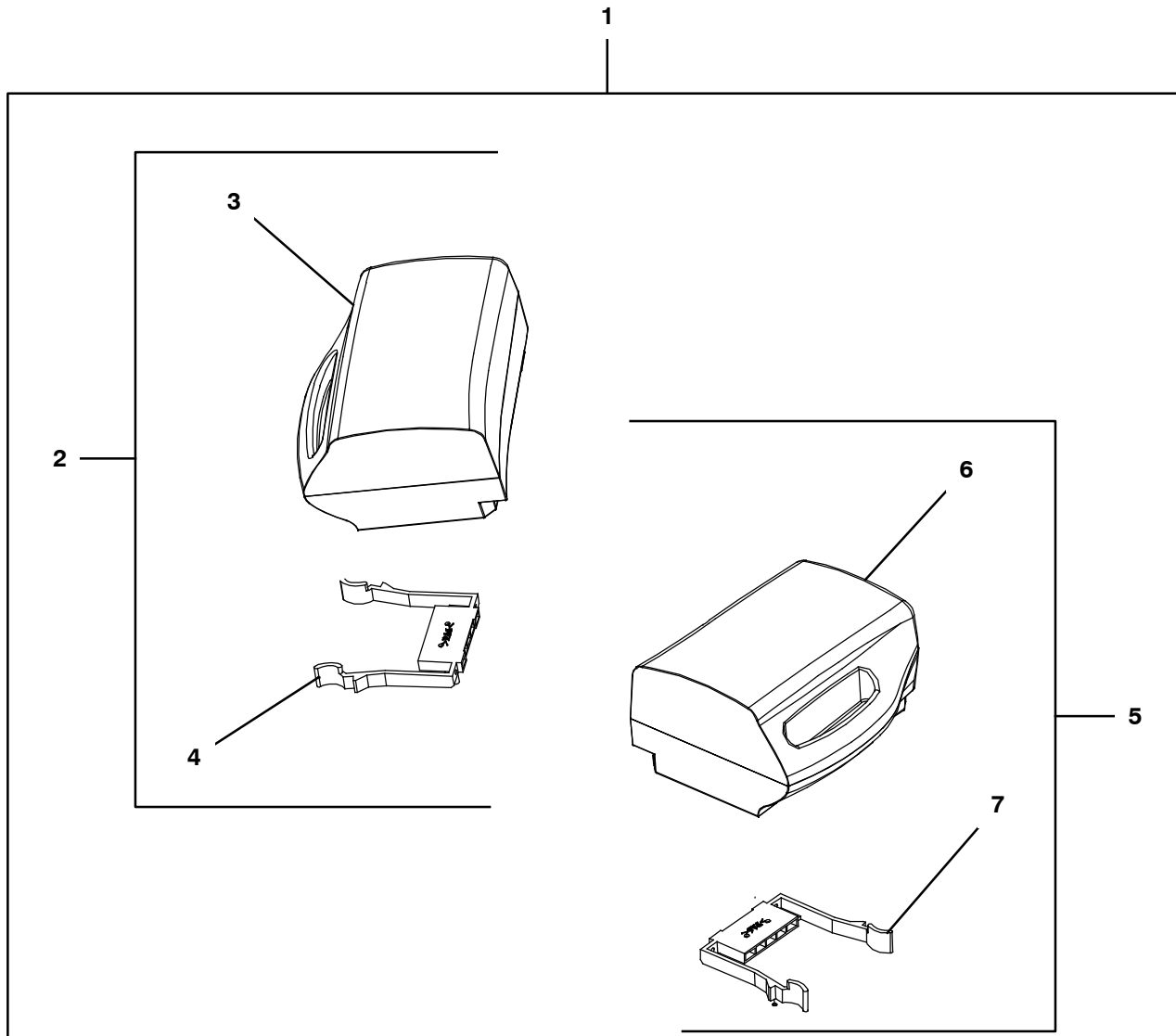
▽ ASSEMBLY

▲ INCLUDED IN ASSEMBLY

N/A = NOT AVAILABLE SEPARATELY - MUST ORDER ASSEMBLY (▽)

BATTERY PACK ASSEMBLY

355583



BATTERY PACK ASSEMBLY

	Ref.	Part No.	Serial Number	Description	Qty.
▽	1	1232100	(330000-) Battery Kit [I- Mop Left & Right]	1
▲▽	2	1232596	(330000-) Battery, Pack, Rh	1
▲▲	3	N/A	(330000-) Battery Pack Gray [Right]	1
▲▲	4	1232598	(330000-) Connector, Bat, Fem, Rh (Color: Gray)	1
▲▽	5	1232544	(330000-) Battery, Pack, Lh	1
▲▲	6	N/A	(330000-) Battery Pack Blue [Left]	1
▲▲	7	1232545	(330000-) Connector, Bat, Fem, Lh (Color: Blue)	1

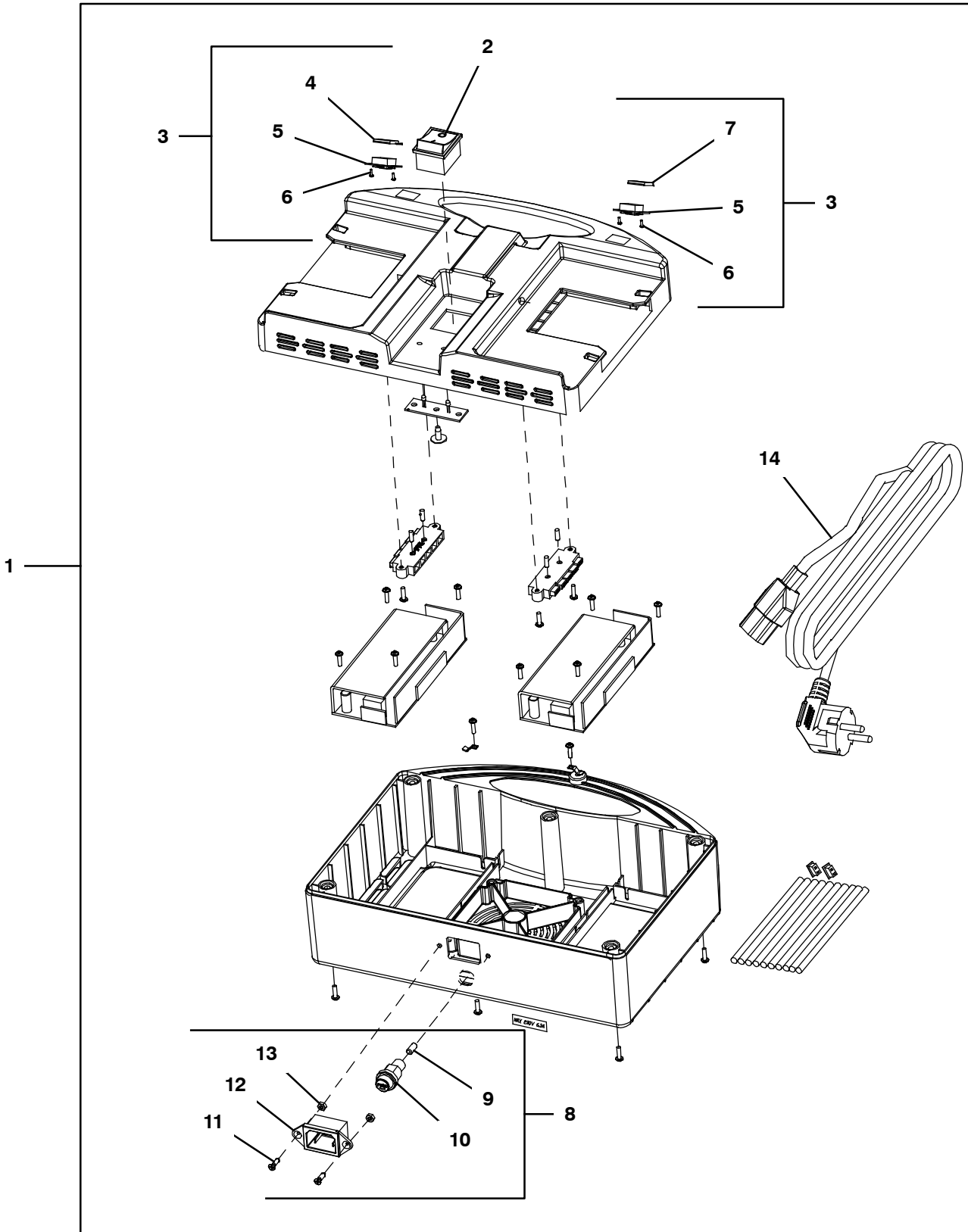
▽ ASSEMBLY

▲ INCLUDED IN ASSEMBLY

N/A = NOT AVAILABLE SEPARATELY - MUST ORDER ASSEMBLY (▽)

BATTERY CHARGER ASSEMBLY

355580



BATTERY CHARGER ASSEMBLY

Ref.	Part No.	Serial Number	Description	Qty.
▽	1	1250527	(330000-) Charger, Bat (Plus model 3pin)	1
▲	2	1232564	(330000-) Switch, Chrgr	1
▲▽	3	1232712	(330000-) Light, Voltage	1
▲▲	4	N/A	(330000-) Transparent Cover Voltage Display Right	1
▲▲	5	N/A	(330000-) Voltage Display With Percentage	2
▲▲	6	N/A	(330000-) Screw M2x5 Cross Head Self Tapping	4
▲▲	7	N/A	(330000-) Transparent Cover Voltage Display Left	1
▲▽	8	1232713	(330000-) Receptacle Kit, Chrgr	1
▲▲	9	N/A	(330000-) Fuse 6.3a	1
▲▲	10	N/A	(330000-) Fuse 6.3a Base	1
▲▲	11	N/A	(330000-) Countersunk Screw M3x15	2
▲▲	12	N/A	(330000-) Recept Inlet 3p + Two Screw Holes Cb 3pin	1
▲▲	13	N/A	(330000-) Nut M3 Nylon	2
▲	14	1232546	(330000-) Cord, Power (UI 3 Pin) (Standard)	1
	14	1233924	(330000-) Cord, Power [UI 3 Pin, 11 Meters Lg] (Optional)	1

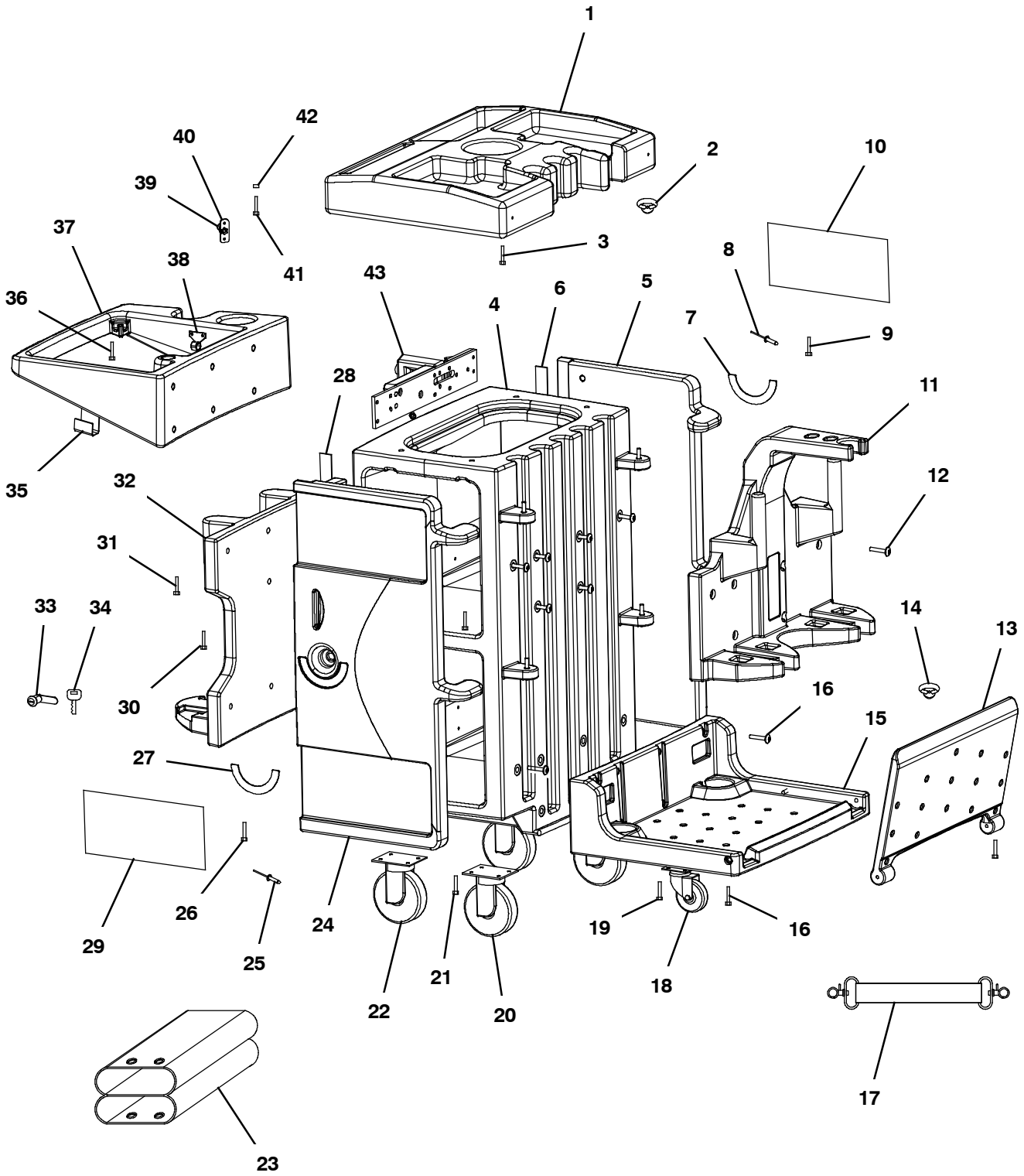
▽ ASSEMBLY

▲ INCLUDED IN ASSEMBLY

N/A = NOT AVAILABLE SEPARATELY - MUST ORDER ASSEMBLY (▽)

I-CART TROLLEY ASSEMBLY (OPTION)

355671



I-CART TROLLEY ASSEMBLY (OPTION)

Ref.	Part No.	Serial Number	Description	Qty.	
▽	1232057	(330000-) Mop Cart Kit [I- Mop I- Cart L]	1	
▲	1	N/A	(330000-) Cover, Top, Grey	1
▲	2	N/A	(330000-) Ring, Screw, I- Trolley	1
▲	3	N/A	(330000-) Screw,	4
▲	4	N/A	(330000-) Main Body, I- Cart L	1
▲▽	5	1235553	(330000-) Door, Cart, Front, Lh (Assembly Does Not Include Lock)	1
▲▲	6	N/A	(330000-) Seal, Rubber, Door	1
▲▲	7	N/A	(330000-) Plate, Arc, Door	1
▲▲	8	N/A	(330000-) Rivet, Blind, 4x15mm	7
▲▲	9	N/A	(330000-) Screw, M	4
▲▲	10	N/A	(330000-) Plate, Door	1
▲▽	1235604	(330000-) Support Kit, Tank, Small, Cart [I- Mop]	1	
▲▲	11	N/A	(330000-) Holder, Tank, Small	1
▲▲	12	N/A	(330000-) Screw, 5	6
▲▽	1235605	(330000-) Base Kit, Cart [I- Mop]	1	
▲▲	13	N/A	(330000-) Bridge, I- Trolley	1
▲▲	14	N/A	(330000-) Ring, Screw, I- Trolley	1
▲▲	15	N/A	(330000-) Shelf, Flat, I- Trolley	1
▲▲	16	N/A	(330000-) Screw, 5	8
▲▲	17	1243411	(330000-) Strap, Ramp [I- Cart]	1
▲▽	1235606	(330000-) Caster Kit, Cart [I- Mop]	1	
▲▲	18	N/A	(330000-) Caster, 2.5"	1
▲▲	19	N/A	(330000-) Screw,	4
▲▲	20	N/A	(330000-) Caster, Front, Fixed	2
▲▲	21	N/A	(330000-) Screw,	16
▲▲	22	N/A	(330000-) Caster, Rear, Swivel	2
▲	23	1233957	(330000-) Bag, Cart [Imop]	1
▲▽	24	1235549	(330000-) Door, Cart, Front, Rh (Assembly Does Not Include Lock)	1
▲▲	25	N/A	(330000-) Rivet, Blind, 4x15mm	7
▲▲	26	N/A	(330000-) Screw, M	4
▲▲	27	N/A	(330000-) Plate, Arc, Door	1
▲▲	28	N/A	(330000-) Seal, Rubber, Door	1
▲▲	29	N/A	(330000-) Plate, Door	1
▲	30	N/A	(330000-) Magnets, I- Trolley	2
▲	31	N/A	(330000-) Screw, #10- 24 0.55"	2
▲	32	N/A	(330000-) Holder, Tank, Large Grey	1
▲▽	33	1233959	(330000-) Lock, W/Key [Imop] (Includes Qty 2 Locks & Qty 6 Keys)	1
▲▲	34	1239322	(330000-) Key, Lock, Door [Icart Qty 2]	2
▲▽	1235600	(330000-) Handle Kit, Cart [I- Mop]	1	
▲▲	35	N/A	(330000-) Hanger, Sign, Safety	1
▲▲	36	N/A	(330000-) Screw, 5	6
▲▲	37	N/A	(330000-) Handle, I- Trolley	1
▲	38	N/A	(330000-) Hook, Bag	2
▲▽	39	1235544	(330000-) Hook Kit, Cord, Ext [I- Mop]	1
▲▲	40	N/A	(330000-) Adapter, Holder, Cable	1
▲	41	N/A	(330000-) Screw, M8 x 27 Hexagon	1
▲	42	N/A	(330000-) Nut, Nylon M8	1
▲	43	N/A	(330000-) Socket, Plug, I- Trolley (USA)	1

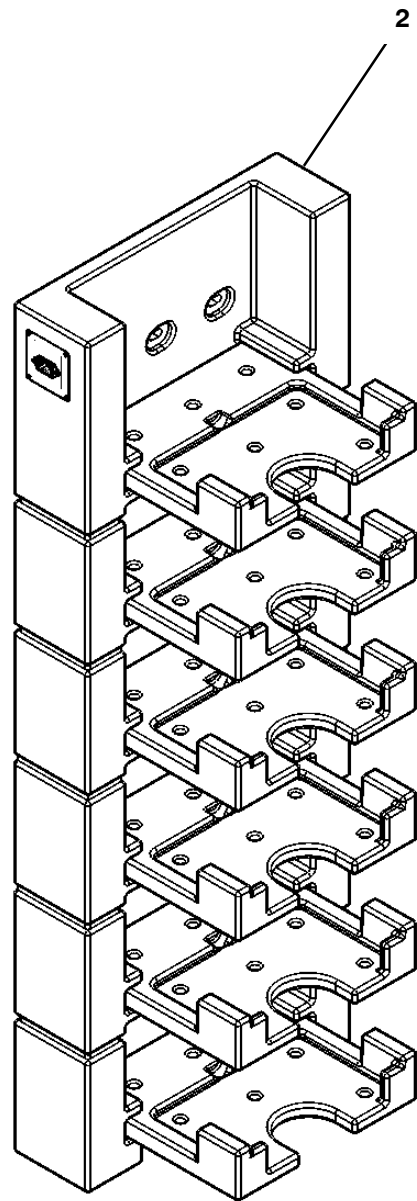
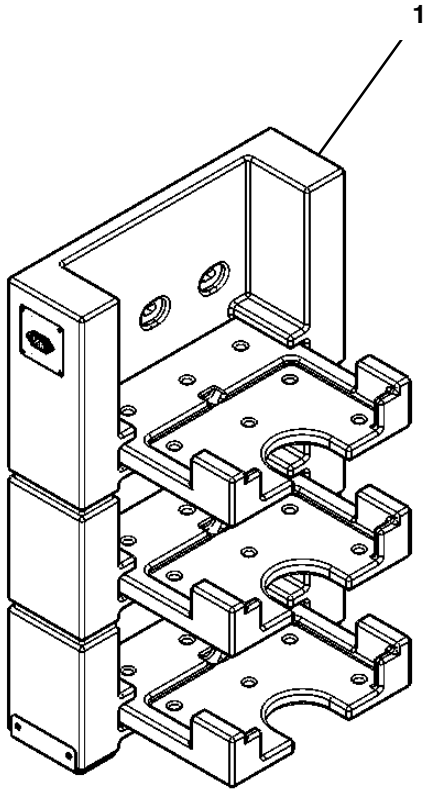
▽ ASSEMBLY

▲ INCLUDED IN ASSEMBLY

N/A = NOT AVAILABLE SEPARATELY - MUST ORDER ASSEMBLY (▽)

WALL CHARGERS (OPTION)

355683



WALL CHARGERS (OPTION)

Ref.	Part No.	Serial Number	Description	Qty.
1	1232094	(330000-) Charger, Wall [I- Mop 3 Layer]	1
2	1232058	(330000-) Charger, Wall [I- Mop 6 Layer]	1

ELECTRICAL DIAGRAM

