



Electronic Service Manuals

This electronic document is provided as a service to our customers. We do not create the contents of the information contained in this document. Should you have detailed questions pertaining to the information contained in this document, you may contact Michco, or the manufacturer which provided the original information in this electronic deliverable. Michco's only part in this electronic deliverable was the electronic assembly process. By providing this manual online we are not guaranteeing parts availability.

You may contact Michco through the following methods:

Phone (517) 484-9312

2011 N. High St. -- Lansing, Michigan -- 48906

Fax: (517) 484-9836

Email: CustomerService@Michco.com

Website: www.Michco.Com

Order Parts online at:

www.Michco.Com

Directly to Parts & Service:

By Email: **CustomerService@Michco.com**

By Fax: (517) 484-9836

By Voice: (517) 484-9312

Serving the Cleaning Industry Since 1922

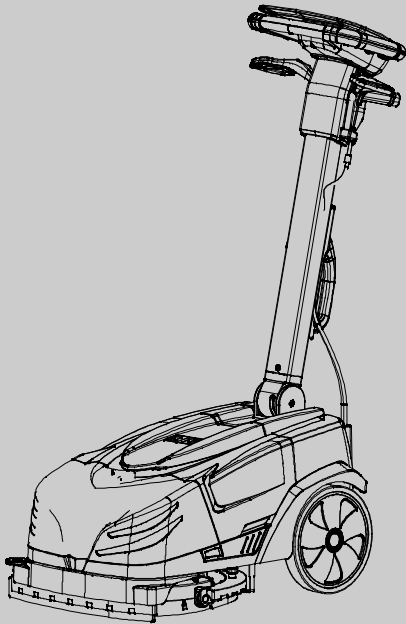
Notice: All copyrighted material remains property of original owners, all trademarks are property of respective owners. Manuals are subject to Manufacturer's reproduction limitations. Originals or reproductions were provided by manufacturers through a request. We make no warranty as to the correctness of information provided in this document and you assume all risk. By placing these manuals on line we are not declaring our corporation to be an manufacturer authorized dealer or provider, please check our web site for authorized manufacturers we represent.



CS5

Compact Series Micro-Scrubber

Parts Manual



Model Part No.:
1251580 CS5 BATTERY SCRUBBER [NA]
1251584 CS5 BATTERY SCRUBBER [EMEA]
1251582 CS5 BATTERY SCRUBBER [CN/ANZ]

Global



To view, print or download
Tennant manuals, visit:

www.tennantco.com/manuals

9021061
Rev. 00 (05-2020)

Only use TENNANT Company supplied or equivalent parts. Parts and supplies may be ordered online, by phone or from any Tennant Authorized Service Center or Distributor.

Before Ordering any parts or supplies, be sure to have the machine model number and serial number available.

Serial Number Location



Tennant Company
PO Box 1452
Minneapolis, MN 55440 USA
Phone: (800) 553-8033
www.tennantco.com

Tennant Company N.V.
Industrielaan 6 5405 AB
P.O. Box 6 5400 AA
Uden- The Netherlands
europe@tennantco.com
www.tennantco.com

TENNANT Cleaning Systems & Equipment (Shanghai) Co., Ltd
Building 1, No. 3777 Caoying Road
Qingpu Shanghai, China 201712
Phone: 86 21 6922 5333
Fax: 86 21 69225151
www.tennant.co.cn

TENNANT Company Japan
9F Industry & Trade Center
2 Yamashita-cho, Naka-ku
Yokohama, Kanagawa 231-0023 Japan
Phone: 81-45-640-5630
Fax: 81-45-640-5604
www.tennant.co.jp

Specifications and parts are subject to change without notice.

Copyright © 2020 TENNANT Company

RECOMMENDED SPARE PARTS LIST 4

BRUSHES / PAD DRIVER AND PADS 5

FRAME AND BATTERY GROUP 6

CONTROL HANDLE GROUP 8

SQUEEGEE DIVERTER VALVE GROUP 10

BRUSH MOTOR GROUP 12

VACUUM MOTOR GROUP 14

TANK GROUP 16

SQUEEGEE GROUP 18

SOLUTION PUMP GROUP 20

CABLE GROUP 21

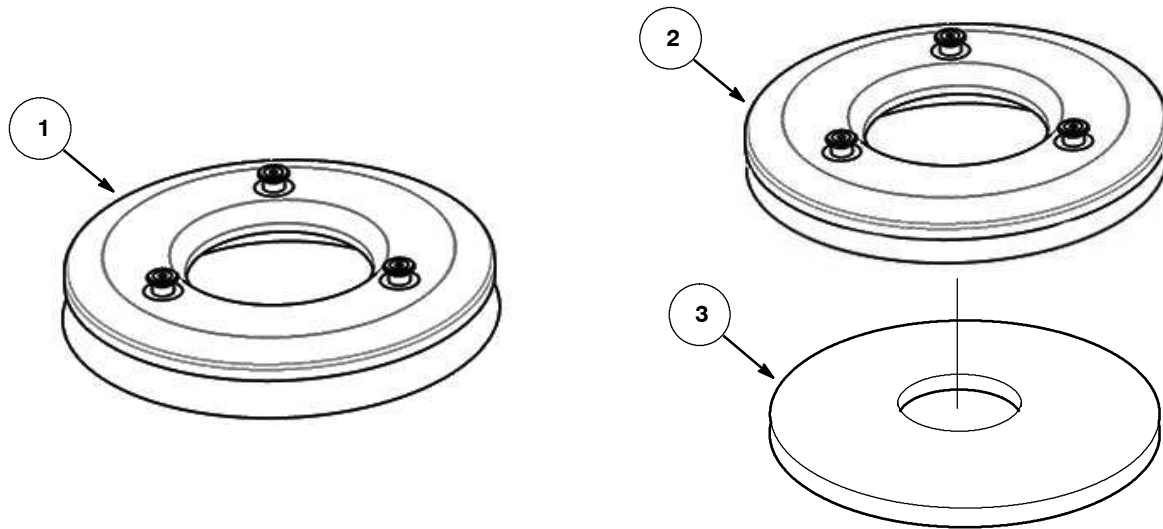
ELECTRICAL DIAGRAM 22

RECOMMENDED SPARE PARTS LIST

WEAR PARTS	
PART NO.	DESCRIPTION
SPPV02438	BRUSH, SCRUB, DISK, 28CM PYP, MEDIUM [STANDARD]
SPPV02580	BRUSH, SCRUB, DISK, 28CM PYP, SOFT [OPTION]
SPPV02581	BRUSH, SCRUB, DISK, 28CM PYP, HARD [OPTION]
SPPV02582	DRIVER ASM., PAD, 28CM
SPPV02583	PAD, SCRUB, 28CM, WHITE, [PKG OF 5 PADS]
SPPV02584	PAD, SCRUB, 28CM, RED, [PKG OF 5 PADS]
KTRI06148	BLADE KIT, SQUEEGEE, 28CM, LINATEX, FRONT [STANDARD]
KTRI06149	BLADE KIT, SQUEEGEE, 28CM, LINATEX, REAR [STANDARD]
KTRI06150	BLADE KIT, SQUEEGEE, 28CM, GUM RUBBER, FRONT [OPTION]
KTRI06151	BLADE KIT, SQUEEGEE, 28CM, GUM RUBBER, REAR [OPTION]
KTRI06152	BLADE KIT, SQUEEGEE, 28CM, PYU, FRONT [OPTION]
KTRI06153	BLADE KIT, SQUEEGEE, 28CM, PYU, REAR [OPTION]

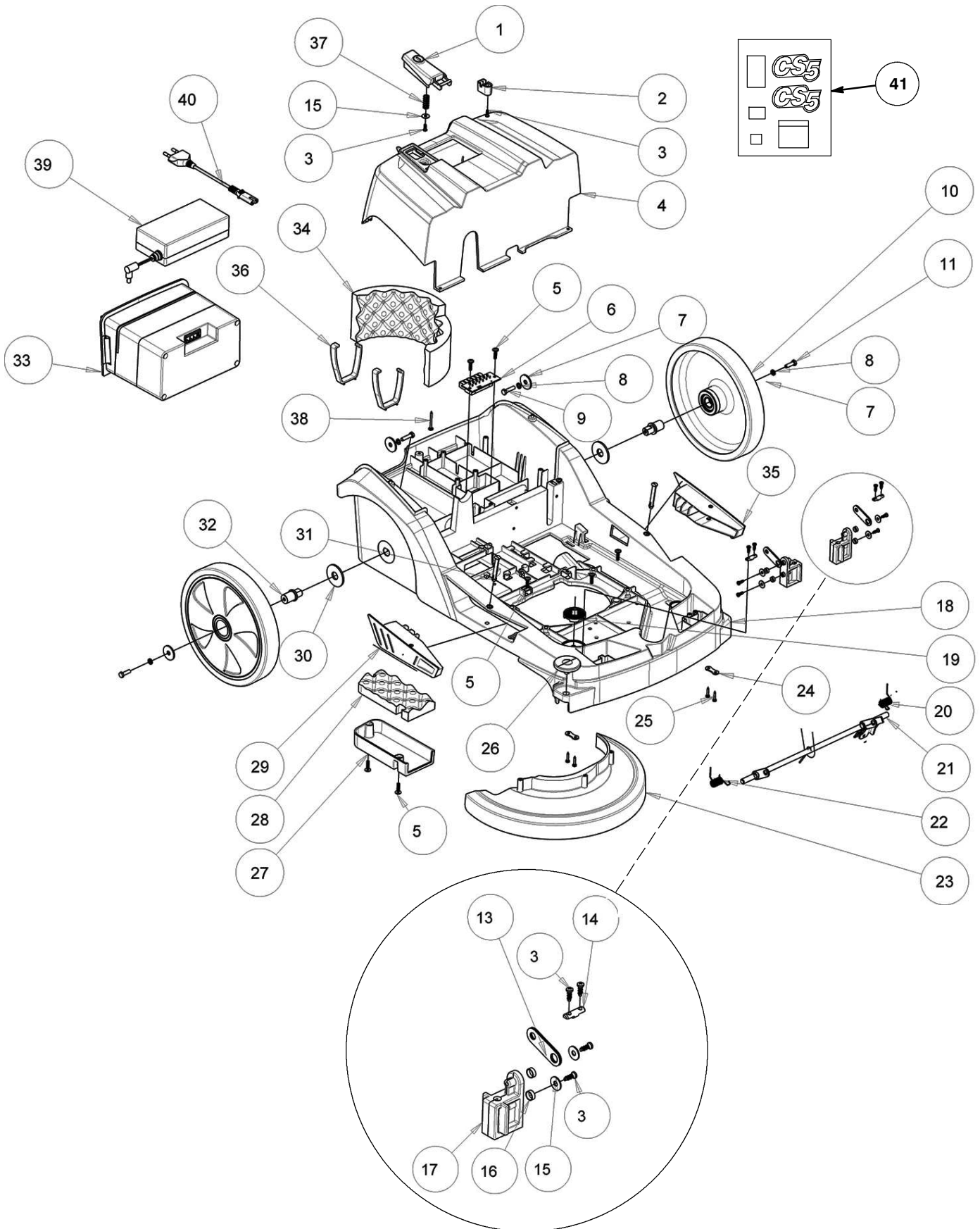
SERVICE PARTS	
PART NO.	DESCRIPTION
MPVR12311	WHEEL, FRONT, WALL ROLLER
KTRI06154	SQUEEGEE ASM., 28CM, LINATEX, FRONT [STANDARD]
KTRI06155	SQUEEGEE ASM., 28CM, LINATEX, REAR [STANDARD]
MECE00813	BOARD MAIN RV1 CS5 (HANDLE)
MECE00814	BOARD MAIN RV1 CS5 36VDC
MECI00588	MICROSWITCH
MECI00681	SWITCH
MFVR00305	DRIVE DISK
MOCC00477	MOTOR, BRUSH, 36V, 100W
KTRI06106	CARBON BRUSH, BRUSH MOTOR
MOCC00481	MOTOR, VACUUM
MPVR12254	SWITCH ON-OFF
MPVR12348	FILTER CS5 SOLUTION TANK
MPVR12484	FILTER, AIR INLET
PPEL00140	PUMP 24VDC
RTRT00708	WHEEL D.200
TBFX01282	HOSE, REAR SQUEEGEE
TBFX01283	HOSE, FRONT SQUEEGEE
KTRI06048	COVER ASSY, RECOVERY TANK [CS5]
KTRI06097	TANK ASM., RECOVERY
GUGO00622	GASKET, RECOVERY TANK LID
KTRI06104	TANK ASM., SOLUTION
KTRI06105	VALVE KIT, SUCTION
KTRI06057	BATTERY, LITHIUM ION, 36V, 5.5AH [STD]
KTRI06058	BATTERY, LITHIUM ION, 36V, 8.25AH [OPTION]
BACA00263	CHARGER, BATTERY, 36VDC
MECB02131	CORD, POWER, CHARGER, 120V [NA]
MECB02130	CORD, POWER, CHARGER, 230V [CE]
MECB02135	CORD, POWER, CHARGER, 230V [UK]
MECB02133	CORD, POWER, CHARGER, 240V [CN/AUS]
MECB02134	CORD, POWER, CHARGER, 220V [BRZ]

BRUSHES / PAD DRIVER AND PADS



Ref.	Part No.	Serial Number	Description	Qty.
1	SPPV02438	(125158x- 00001-)	BRUSH, SCB, DISK, 28CM PYP, MED (STANDARD)	1
1	SPPV02580	(125158x- 00001-)	BRUSH, SCB, DISK, 28CM PYP, SOFT (OPTION)	1
1	SPPV02581	(125158x- 00001-)	BRUSH, SCB, DISK, 28CM PYP, HARD (OPTION)	1
2	SPPV02582	(125158x- 00001-)	PAD DRIVER, 28CM (OPTION)	1
3	SPPV02583	(125158x- 00001-)	PAD, SCRUB 28CM, WHITE, PKG OF 5	1
3	SPPV02584	(125158x- 00001-)	PAD, SCRUB 28CM, RED, PKG OF 5	1

FRAME AND BATTERY GROUP

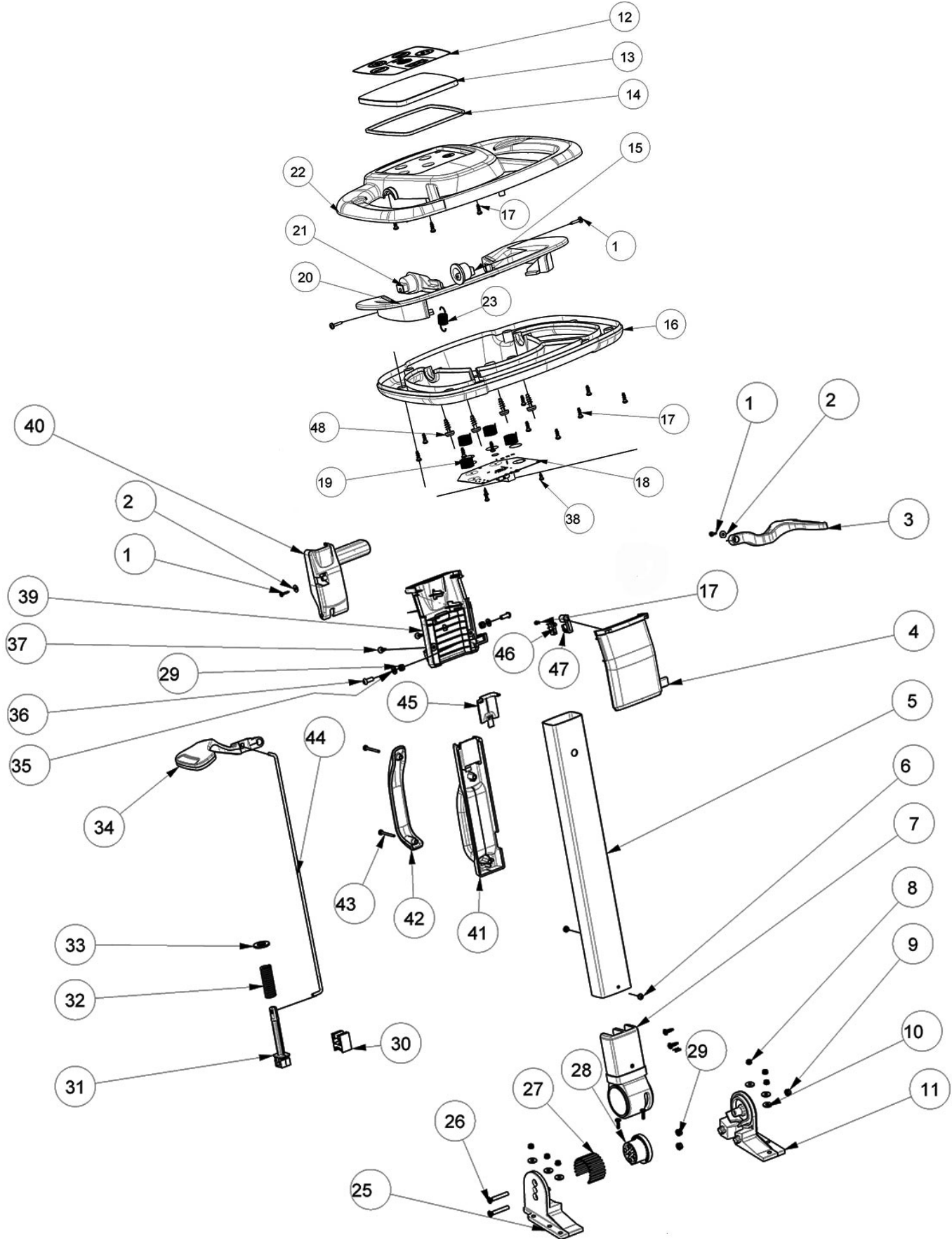


FRAME AND BATTERY GROUP

Ref.	Part No.	Serial Number	Description	Qty.
1	MPVR12254	(125xxxx- 00001-) SWITCH ON- OFF CS5	1
2	N/A	(125158x- 00001-) CONNECT.BRACKET CS5BUTTON ON- OFF	1
3	N/A	(125158x- 00001-) SCREW TC+ M.3,5- 10	10
4	N/A	(125158x- 00001-) CRANKCASE REAR CS5	1
5	897669	(125158x- 00001-) SCREW STS KN1031- Neu 4x16 - H2	9
6	N/A	(125158x- 00001-) WIRING CS5 36VDC	1
7	N/A	(125158x- 00001-) WASHER 5x20 UNI6593 INOX	4
8	897644	(125158x- 00001-) WASHER D. 5 INX GRW UNI 1751	4
9	897170	(125158x- 00001-) SCREW TE 5X20	2
10	RTRT00708	(125158x- 00001-) WHEEL D.200 CS5	2
11	897145	(125158x- 00001-) SCREW TE 5X16 UNI5739 INX	2
13	N/A	(125158x- 00001-) ARM	2
14	N/A	(125158x- 00001-) SHAFT	2
15	N/A	(125158x- 00001-) WASHER STEEL INOX 4X12	5
16	N/A	(125158x- 00001-) SPACER	4
17	MPVR12274	(125158x- 00001-) SUPPORT REAR SQUEEGEE CS5	2
18	N/A	(125158x- 00001-) FRAME CS5	1
19	MPVR12348	(125158x- 00001-) FILTER CS5 SOLUTION TANK	1
20	N/A	(125158x- 00001-) SPRING RH FLOOR WIPER	1
21	N/A	(125158x- 00001-) LEVER	1
22	N/A	(125158x- 00001-) SPRING LH FLOOR WIPER	1
23	MPVR12228	(125158x- 00001-) CRANKCASE BRUSH CS5	1
24	N/A	(125158x- 00001-) PLATE	2
25	N/A	(125158x- 00001-) SCREW TCB 3,5X16	4
26	MPVR12311	(125158x- 00001-) WHEEL FRONT SQUEEGEE	1
27	MPVR12452	(125158x- 00001-) COVER CS5	1
28	N/A	(125158x- 00001-) INSULATOR CS5	1
29	MPVR12222	(125158x- 00001-) LEVER RIGHT	1
30	N/A	(125158x- 00001-) WASHER D.12 X 36 INOX	2
31	N/A	(125158x- 00001-) PIN CS5	2
32	N/A	(125158x- 00001-) SHAFT	2
33	KTRI06057	(125158x- 00001-) BATTERY, LITHIUM ION 36V, 5.5AH (STANDARD)	1
33	KTRI06058	(125158x- 00001-) BATTERY, LITHIUM ION 36V, 8.25AH (OPTION)	1
34	N/A	(125158x- 00001-) INSULATOR CS5	1
35	MPVR12223	(125158x- 00001-) LEVER LEFT	1
36	N/A	(125158x- 00001-) SPRING CS5	2
37	N/A	(125158x- 00001-) SPRING CS5 ON- OFF	1
38	N/A	(125158x- 00001-) SCREW TCB- TC 3.5X32	1
39	BACA00263	(125158x- 00001-) CHARGER, 36VDC,	1
40	MECB02131	(125158x- 00001-) CORD, POWER, CHRGR, 120V [NA]	1
40	MECB02130	(125158x- 00001-) CORD, POWER, CHRGR, 230V [CE]	1
40	MECB02135	(125158x- 00001-) CORD, POWER, CHRGR, 230V [UK]	1
40	MECB02133	(125158x- 00001-) CORD, POWER, CHRGR, 240V [CN/AUS]	1
40	MECB02134	(125158x- 00001-) CORD, POWER, CHRGR, 220V [BRZ]	1
41	KTRI06198	(125158x- 00001-) LABEL KIT, MACHINE, CS5	1

N/A NOT AVAILABLE

CONTROL HANDLE GROUP

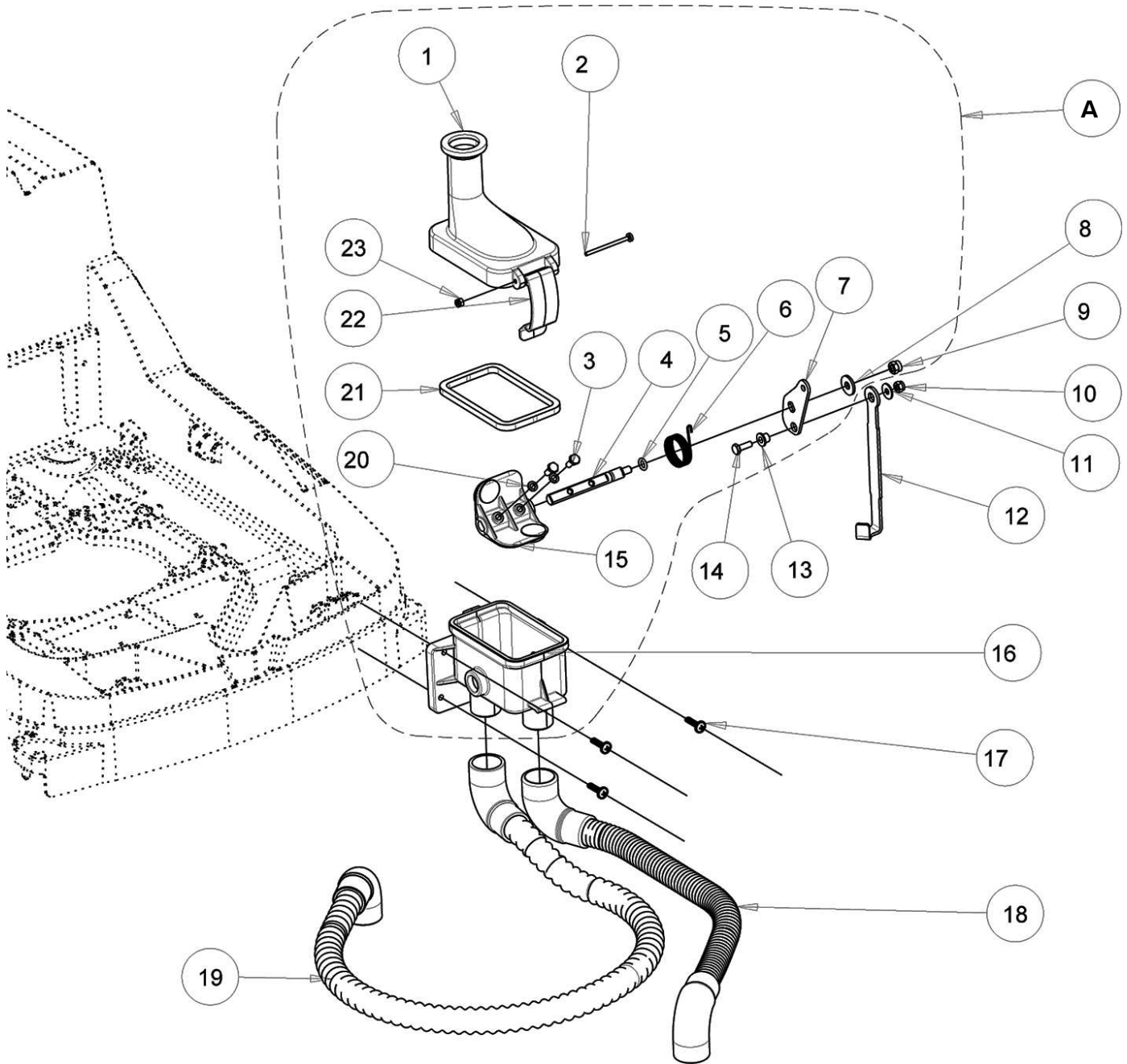


CONTROL HANDLE GROUP

Ref.	Part No.	Serial Number	Description	Qty.
1	VTVT28553	(125158x- 00001-) SCREW TCB- TC 3.5X16	4
2	N/A	(125158x- 00001-) WASHER STEEL INOX 4X12	2
3	MPVR12269	(125158x- 00001-) LEVER CS5	1
4	N/A	(125158x- 00001-) SUPPORT ANTERIOR BOARD CS5	1
5	N/A	(125158x- 00001-) HANDLE ALUMINIUM CS5	1
6	897574	(125158x- 00001-) SCREW SELF TAPPING 4.8X9.5 SUS	2
7	N/A	(125158x- 00001-) ARTICULATION HANDLE CS5	1
8	VTDD01693	(125158x- 00001-) NUT, M5, INOX	6
9	897138	(125158x- 00001-) NUT M6 INOX	1
10	897384	(125158x- 00001-) WASHER D. 5X14 INX	6
11	N/A	(125158x- 00001-) SUPPORT HANDLE CS5	1
12	N/A	(125158x- 00001-) LABEL, CONSOLE	1
13	N/A	(125158x- 00001-) GLASS BOARD CS5	1
14	N/A	(125158x- 00001-) MOUSSE BOARD CS5	1
15	MPVR12281	(125158x- 00001-) BLADE LH PADDLE CS5	1
16	N/A	(125158x- 00001-) BASE CS5 BOARD	1
17	N/A	(125158x- 00001-) SCREW TC+ M.3,5- 10	15
18	MECE00813	(125158x- 00001-) BOARD MAIN RV1 CS5	1
19	N/A	(125158x- 00001-) SPRING TOUCH CS5	4
20	N/A	(125158x- 00001-) LEVER CS5	1
21	MPVR12280	(125158x- 00001-) BLADE RH PADDLE CS5	1
22	N/A	(125158x- 00001-) BOARD CS5	1
23	N/A	(125158x- 00001-) SPRING PADDLE	1
25	N/A	(125158x- 00001-) SUPPORT HANDLE CS5	1
26	N/A	(125158x- 00001-) SCREW M6X40 UNI933 A2	2
27	N/A	(125158x- 00001-) PIN HANDLE CS5	18
28	MPVR12289	(125158x- 00001-) BLOCK CS5BUTTON ON- OFF	1
29	897105	(125158x- 00001-) NUT M6 INOX+ZIN.	4
30	N/A	(125158x- 00001-) SUPPORT	1
31	N/A	(125158x- 00001-) RACK HANDLE CS5	1
32	N/A	(125158x- 00001-) SPRING BLOCK ARTICULATION HANDLE	1
33	897538	(125158x- 00001-) WASHER D.14	1
34	MPVR12270	(125158x- 00001-) LEVER CS5	1
35	897106	(125158x- 00001-) WASHER D.6 UNI 6592 INOX	2
36	897446	(125158x- 00001-) SCREW TBEI M 6- 16	2
37	N/A	(125158x- 00001-) SCREW STS KN1038 5x16 - T20 A2	2
38	N/A	(125158x- 00001-) SCREW M3x8 UNI9707 ZN	3
39	N/A	(125158x- 00001-) SUPPORT REAR BOARD CS5	1
40	N/A	(125158x- 00001-) LEVER ANTERIOR SQUEEGEE CS5	1
41	N/A	(125158x- 00001-) SUPPORT OUTLET HANDLE CS5	1
42	N/A	(125158x- 00001-) COVERING OUTLET HANDLE CS5	1
43	VTVT00890	(125158x- 00001-) SCREW TC+ M.4- 40	2
44	LAFN11397	(125158x- 00001-) ROD CS5 HANDLE	1
45	N/A	(125158x- 00001-) CAP OUTLET HANDLE CS5	1
46	MECI00588	(125158x- 00001-) MICROSWITCH	1
47	N/A	(125158x- 00001-) SUPPORT CS5	1
48	VTVT01073	(125158x- 00001-) SCREW STS KN1039 6x16 - T25 A2	4

N/A NOT AVAILABLE

SQUEEGEE DIVERTER VALVE GROUP



SQUEEGEE DIVERTER VALVE GROUP

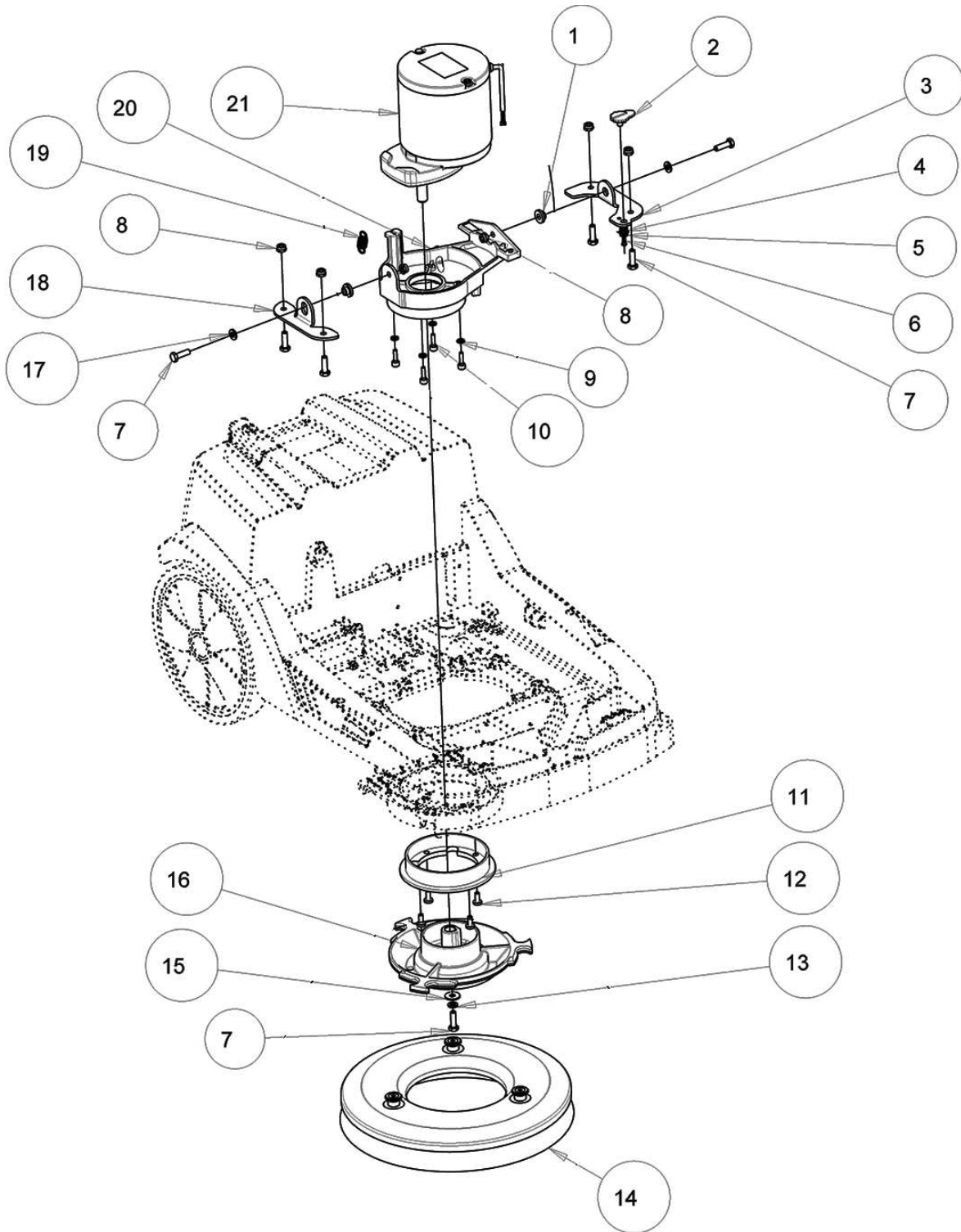
Ref.	Part No.	Serial Number	Description	Qty.
▽	A	KTRIO6105	(125158x- 00001-) VALVE KIT, SUCTION [CS5]	1
▲	1	MPVR12256	(125158x- 00001-) COVER VALVE CS5	1
▲	2	N/A	(125158x- 00001-) SCREW M3X40 A2 CROSSHEAD	1
▲	3	897151	(125158x- 00001-) SCREW TE M 4X 10 INX	2
▲	4	N/A	(125158x- 00001-) SHAFT	1
▲	5	N/A	(125158x- 00001-) O- RING NBR70 5,8X1,78	1
▲	6	MLML00510	(125158x- 00001-) SPRING VALVE	1
▲	7	N/A	(125158x- 00001-) BRACKET	1
▲	8	897384	(125158x- 00001-) WASHER D. 5X14 INX	1
▲	9	VTDD15517	(125158x- 00001-) NUT M 5 INX	1
	10	897276	(125158x- 00001-) NUT M 4 ATB A2	1
	11	N/A	(125158x- 00001-) WASHER STEEL INOX 4X12	1
	12	LAFN11372	(125158x- 00001-) LEVER	1
▲	13	LAFN11392	(125158x- 00001-) SPACER	1
▲	14	897453	(125158x- 00001-) SCREW TE M4x12 UNI 5739 INOX	1
▲	15	N/A	(125158x- 00001-) VALVE CS5	1
▲	16	N/A	(125158x- 00001-) BODY VALVE CS5	1
	17	897669	(125158x- 00001-) SCREW STS KN1031- Neu 4x16 - H2	3
	18	TBFX01283	(125158x- 00001-) HOSE, FRONT SQUEEGEE	1
	19	TBFX01282	(125158x- 00001-) HOSE, REAR SQUEEGEE	1
▲	20	897204	(125158x- 00001-) WASHER D. 4 GROVER A2 UNI1751	2
▲	21	GUGO00621	(125158x- 00001-) GASKET CS5	1
▲	22	MPVR12283	(125158x- 00001-) CAP CS5	1
▲	23	9018496	(125158x- 00001-) NUT M 3 AUTOBL.DIN 985 IX.A2	1

▽ KIT

▲ INCLUDED IN KIT

N/A NOT AVAILABLE

BRUSH MOTOR GROUP



BRUSH MOTOR GROUP

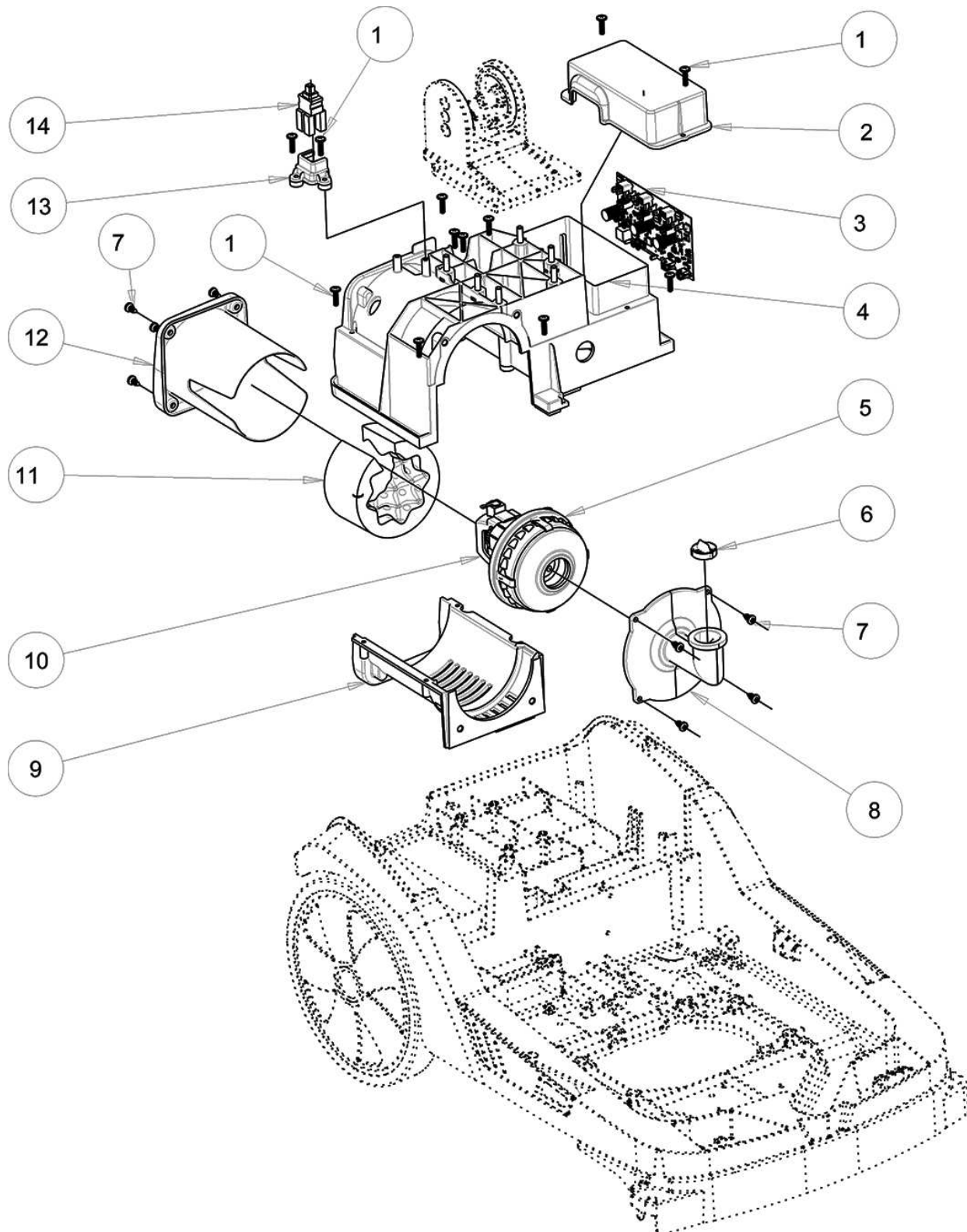
Ref.	Part No.	Serial Number	Description	Qty.	
1	N/A	(125158x- 00001-) SPACER	2	
2	MPVR12485	(125158x- 00001-) SMALL KNOB CS5	1	
3	N/A	(125158x- 00001-) BRACKET	1	
4	MLML00524	(125158x- 00001-) SPRING LEVER TRACTION CS5	1	
5	897156	(125158x- 00001-) WASHER D. 4 INX	1	
6	N/A	(125158x- 00001-) SCREW TC+ M.3,5- 10	1	
7	897287	(125158x- 00001-) SCREW TE 6X20 UNI5739 INX	7	
8	897105	(125158x- 00001-) NUT M6 INOX+ZIN.	6	
9	897644	(125158x- 00001-) WASHER D. 5 INX GRW UNI 1751	4	
10	N/A	(125158x- 00001-) SCREW TCEI M 5X16 INOX	4	
11	MPVR12229	(125158x- 00001-) FLANGE SQUEEGEE CS5	1	
12	VTVT13795	(125158x- 00001-) SCREW TCB- TC 5X12 SW.FORM	4	
13	897129	(125158x- 00001-) WASHER D. 6 INX GRW UNI 1751	1	
14	SPPV02438	(125158x- 00001-) BRUSH, SCB, DISK, 28CM PYP, MED (STANDARD)	1	
15	897112	(125158x- 00001-) WASHER D. 6X18 INX UNI 6593	1	
16	MFVR00305	(125158x- 00001-) DRIVE DISK CS5	1	
17	897106	(125158x- 00001-) WASHER D.6 UNI 6592 INOX	2	
18	N/A	(125158x- 00001-) BRACKET	1	
19	N/A	(125158x- 00001-) SPRING MOTOR BRUSH	1	
20	MFVR00304	(125158x- 00001-) SUPPORT CS5	1	
▽	21	MOCC00477	(125158x- 00001-) MOTOR, BRUSH 100W	1
▲		KTRI06106) CARBON BRUSHES, BRUSH MOTOR	1	

▽ KIT

▲ INCLUDED IN KIT

N/A NOT AVAILABLE

VACUUM MOTOR GROUP

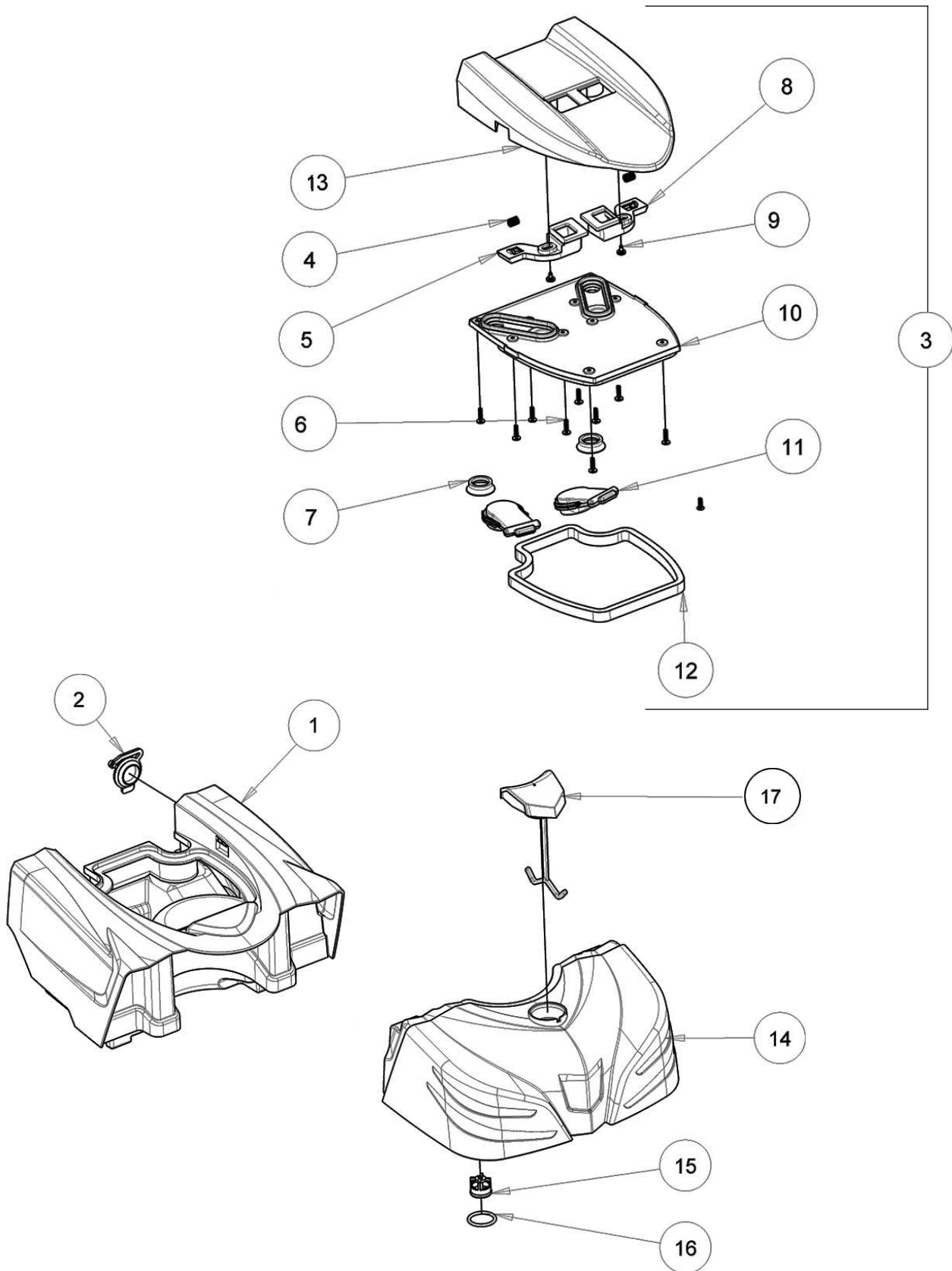


VACUUM MOTOR GROUP

Ref.	Part No.	Serial Number	Description	Qty.
1	N/A	(125158x- 00001-) SCREW STS KN1031- Neu 4x16 - H2	17
2	N/A	(125158x- 00001-) COVER ELETTRONIC BOARD CS5	1
3	MECE00814	(125158x- 00001-) BOARD MAIN RV1 CS5 36VDC	1
4	N/A	(125158x- 00001-) SUPPORT VACUUM MOTOR CS5	1
5	MPVR12252	(125158x- 00001-) GASKET VACUUM MOTOR CS5	1
6	MPVR12484	(125158x- 00001-) FILTER, AIR INLET [CS5]	1
7	VTVT48694	(125158x- 00001-) SCREW TCB TC 5 X12 UNI 9707 TZ	8
8	MPVR12249	(125158x- 00001-) FLANGE VACUUM MOTOR CS5	1
9	N/A	(125158x- 00001-) SUPPORT LOWER VACUUM MOTOR CS5	1
10	MOCC00481	(125158x- 00001-) VACUUM CS5	1
11	ITSO00109	(125158x- 00001-) INSULATOR CS5	1
12	N/A	(125158x- 00001-) FLANGE VACUUM MOTOR CS5	1
13	N/A	(125158x- 00001-) SUPPORT BUTTON	1
14	MECI00681	(125158x- 00001-) SWITCH CS5	1

N/A NOT AVAILABLE

TANK GROUP



TANK GROUP

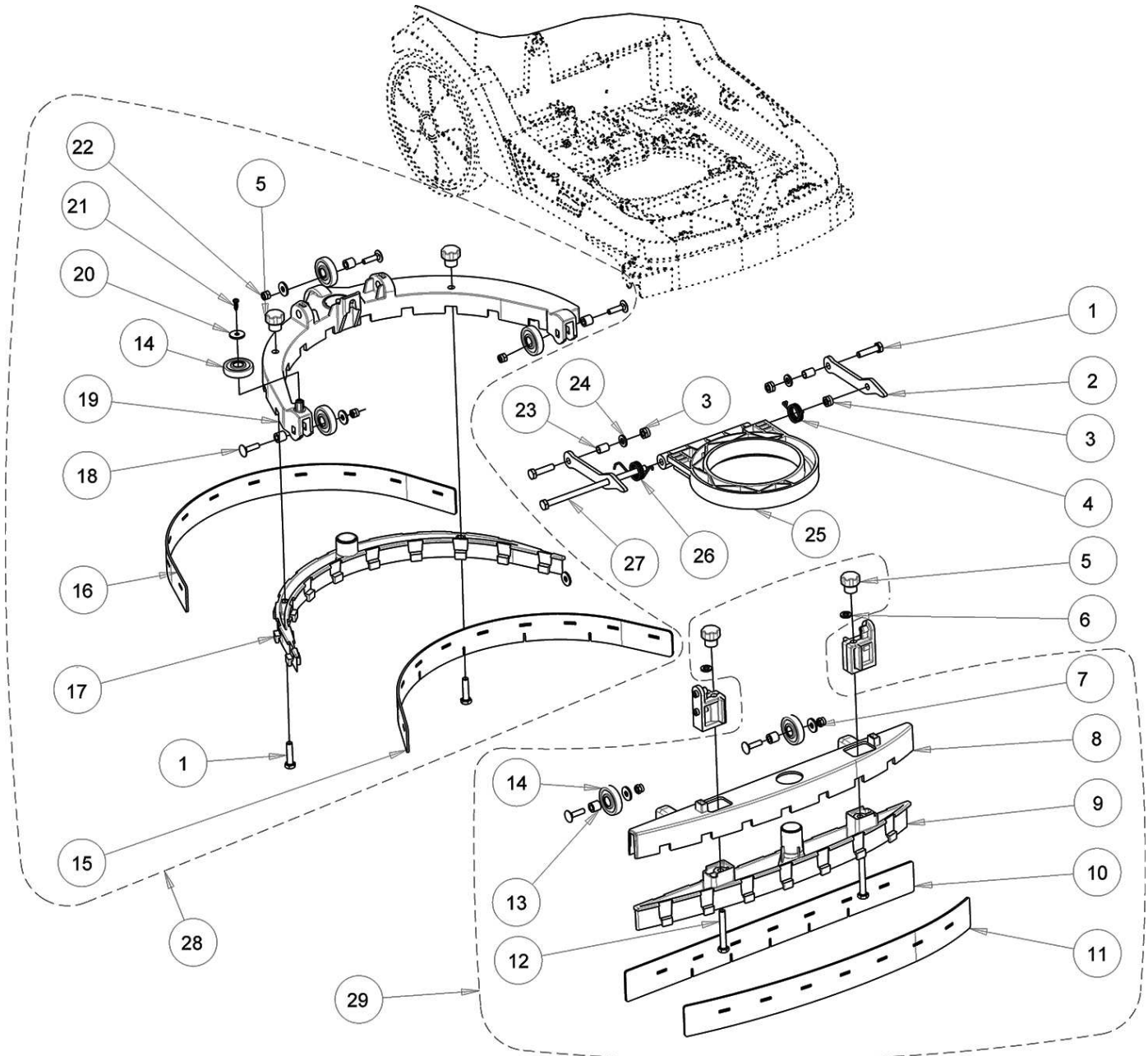
Ref.	Part No.	Serial Number	Description	Qty.
▽	1	KTRIO6097 (125158x- 00001-) TANK RECOVERY CS5	1
▲	2	MPVR12282 (125158x- 00001-) CAP CS5	1
▽	3	KTRIO6048 (125158x- 00001-) COVER ASSY, RECOVERY TANK [CS5]	1
▲	4	MLML00511 (125158x- 00001-) SPRING CS5 COVER	2
▲	5	MPVR12238 (125158x- 00001-) LEVER LEFT	1
▲	6	897669 (125158x- 00001-) SCREW STS KN1031- Neu 4x16 - H2	10
▲	7	MPVR12539 (125158x- 00001-) GASKET COVER EPDM CS5	2
▲	8	MPVR12237 (125158x- 00001-) LEVER RIGHT	1
▲	9	897574 (125158x- 00001-) SCREW SELF TAPPING 4.8X9.5 SUS	2
▲	10	N/A (125158x- 00001-) BASE COVER RECOVERY TANK CS5	1
▲	11	MPVR12277 (125158x- 00001-) FLOATER CS5	2
▲	12	GUGO00622 (125158x- 00001-) GASKET CS5	1
▲	13	N/A (125158x- 00001-) COVER RECOVERY TANK CS5	1
▽	14	KTRIO6104 (125158x- 00001-) TANK SOLUTION CS5	1
▲	15	MPVR12350 (125158x- 00001-) VALVE D25	1
▲	16	GUGO00618 (125158x- 00001-) O- RING NBR70 4106 EPDM70	1
▲	17	MPVR12246 (125158x- 00001-) CAP SOLUTION TANK CS5	1

▽ KIT

▲ INCLUDED IN KIT

N/A NOT AVAILABLE

SQUEEGEE GROUP



SQUEEGEE GROUP

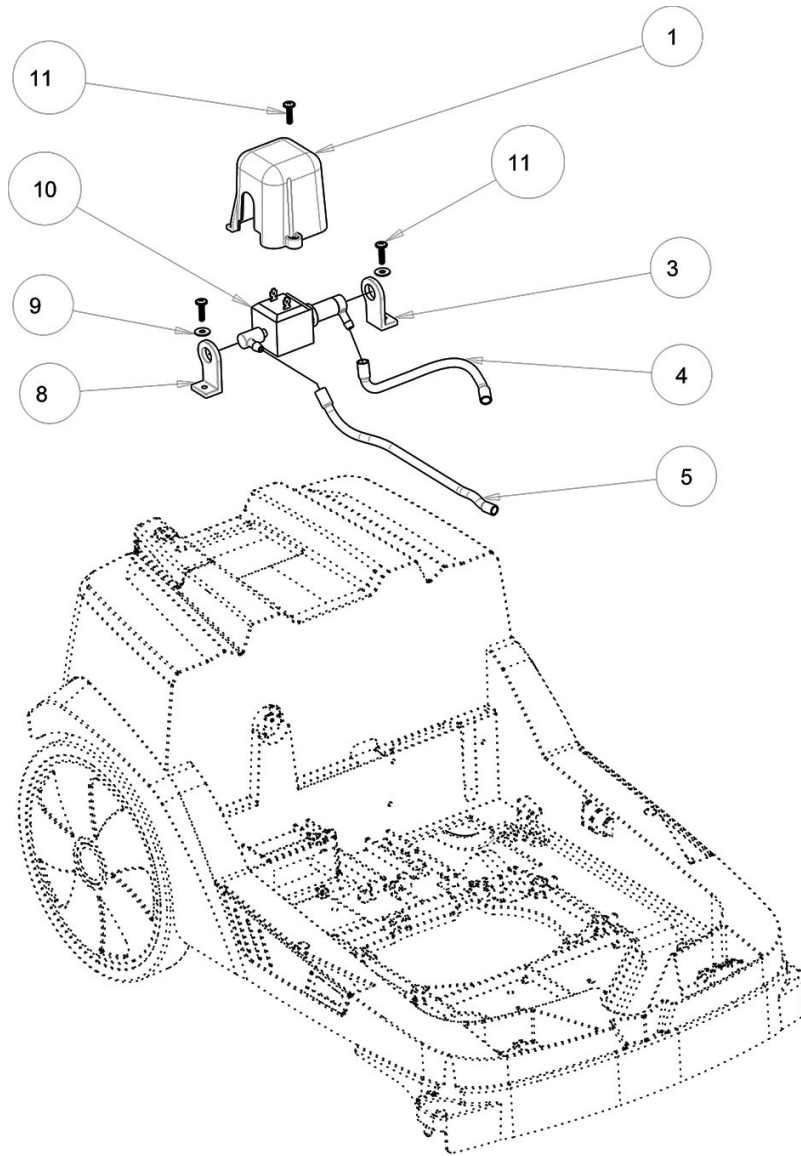
Ref.	Part No.	Serial Number	Description	Qty.	
1	897532	(125158x- 00001-) SCREW TE M 6X 25 UNI 5739 INX	4	
2	LAFN11380	(125158x- 00001-) BRACKET	2	
3	897105	(125158x- 00001-) NUT M6 INOX+ZIN.	3	
4	N/A	(125158x- 00001-) SPRING RH FLOOR WIPER	1	
5	MPVR12347	(125158x- 00001-) SMALL KNOB CS5 SQUEEGEE	4	
6	897129	(125158x- 00001-) WASHER D. 6 INX GRW UNI 1751	2	
7	897384	(125158x- 00001-) WASHER D. 5X14 INX	5	
8	MPVR12233	(125158x- 00001-) BODY FRONT SQUEEGEE CS5	1	
9	MPVR12234	(125158x- 00001-) JOINT FRONT SQUEEGEE CS5	1	
▽	KTRI06148	(125158x- 00001-) BLADE KIT, SQUEEGEE, 28CM, LINATEX, STRAIGHT [STD]	1	
▲	10	N/A	(125158x- 00001-) BLADE, SQUEEGEE, STRAIGHT, REAR, LINATEX	1
▲	11	N/A	(125158x- 00001-) BLADE, SQUEEGEE, STRAIGHT, FRONT, LINATEX	1
▽	KTRI06150	(125158x- 00001-) BLADE KIT, SQGE, 28CM, GUM RUB, STRAIGHT [OPTION]	1	
▲	10	N/A	(125158x- 00001-) BLADE, SQUEEGEE, STRAIGHT, REAR, GUM RUBBER	1
▲	11	N/A	(125158x- 00001-) BLADE, SQUEEGEE, STRAIGHT, FRONT, GUM RUBBER	1
▽	KTRI06152	(125158x- 00001-) BLADE KIT, SQGE, 28CM, PYU, STRAIGHT [OPTION]	1	
▲	10	N/A	(125158x- 00001-) BLADE, SQUEEGEE, STRAIGHT, REAR, PYU	1
▲	11	N/A	(125158x- 00001-) BLADE, SQUEEGEE, STRAIGHT, FRONT, PYU	1
12	897450	(125158x- 00001-) SCREW TE M 6x45 INOX	2	
13	LAFN11381	(125158x- 00001-) SPACER	5	
14	MPVR12239	(125158x- 00001-) WHEEL CS5	6	
▽	KTRI06149	(125158x- 00001-) BLADE KIT, SQGE, 28CM, LINATEX, PARABOLIC [STD]	1	
▲	15	N/A	(125158x- 00001-) BLADE, SQGE, PARABOLIC, FRONT, LINATEX	1
▲	16	N/A	(125158x- 00001-) BLADE, SQGE, PARABOLIC, REAR, LINATEX	1
▽	KTRI06151	(125158x- 00001-) BLADE KIT, SQGE, 28CM, GUM RUB, PARABOLIC [OPTION]	1	
▲	15	N/A	(125158x- 00001-) BLADE, SQGE, PARABOLIC, FRONT, GUM RUBBER	1
▲	16	N/A	(125158x- 00001-) BLADE, SQGE, PARABOLIC, REAR, GUM RUBBER	1
▽	KTRI06153	(125158x- 00001-) BLADE KIT, SQGE, 28CM, PYU, PARABOLIC [OPTION]	1	
▲	15	N/A	(125158x- 00001-) BLADE, SQGE, PARABOLIC, FRONT, PYU	1
▲	16	N/A	(125158x- 00001-) BLADE, SQGE, PARABOLIC REAR, PYU	1
17	N/A	(125158x- 00001-) JOINT REAR SQUEEGEE CS5	1	
18	897635	(125158x- 00001-) SCREW M5x25	5	
19	N/A	(125158x- 00001-) BODY REAR SQUEEGEE CS5	1	
20	897149	(125158x- 00001-) WASHER 4- 16 INOX A2	1	
21	N/A	(125158x- 00001-) SCREW TC+ M.3,5- 10	1	
22	VTDD15517	(125158x- 00001-) NUT M 5 INX	5	
23	LAFN11385	(125158x- 00001-) SPACER	2	
24	897106	(125158x- 00001-) WASHER D.6 UNI 6592 INOX	2	
25	MPVR12230	(125158x- 00001-) SUPPORT SQUEEGEE CS5	1	
26	MLML00507	(125158x- 00001-) SPRING LH FLOOR WIPER	1	
27	N/A	(125158x- 00001-) SCREW M6X130	1	
28	KTRI06155	(125158x- 00001-) SQUEEGEE ASM., 28CM, LINATEX, PARABOLIC [STD]	1	
29	KTRI06154	(125158x- 00001-) SQUEEGEE ASM., 28CM, LINATEX, STRAIGHT [STD]	1	

▽ KIT

▲ INCLUDED IN KIT

N/A NOT AVAILABLE

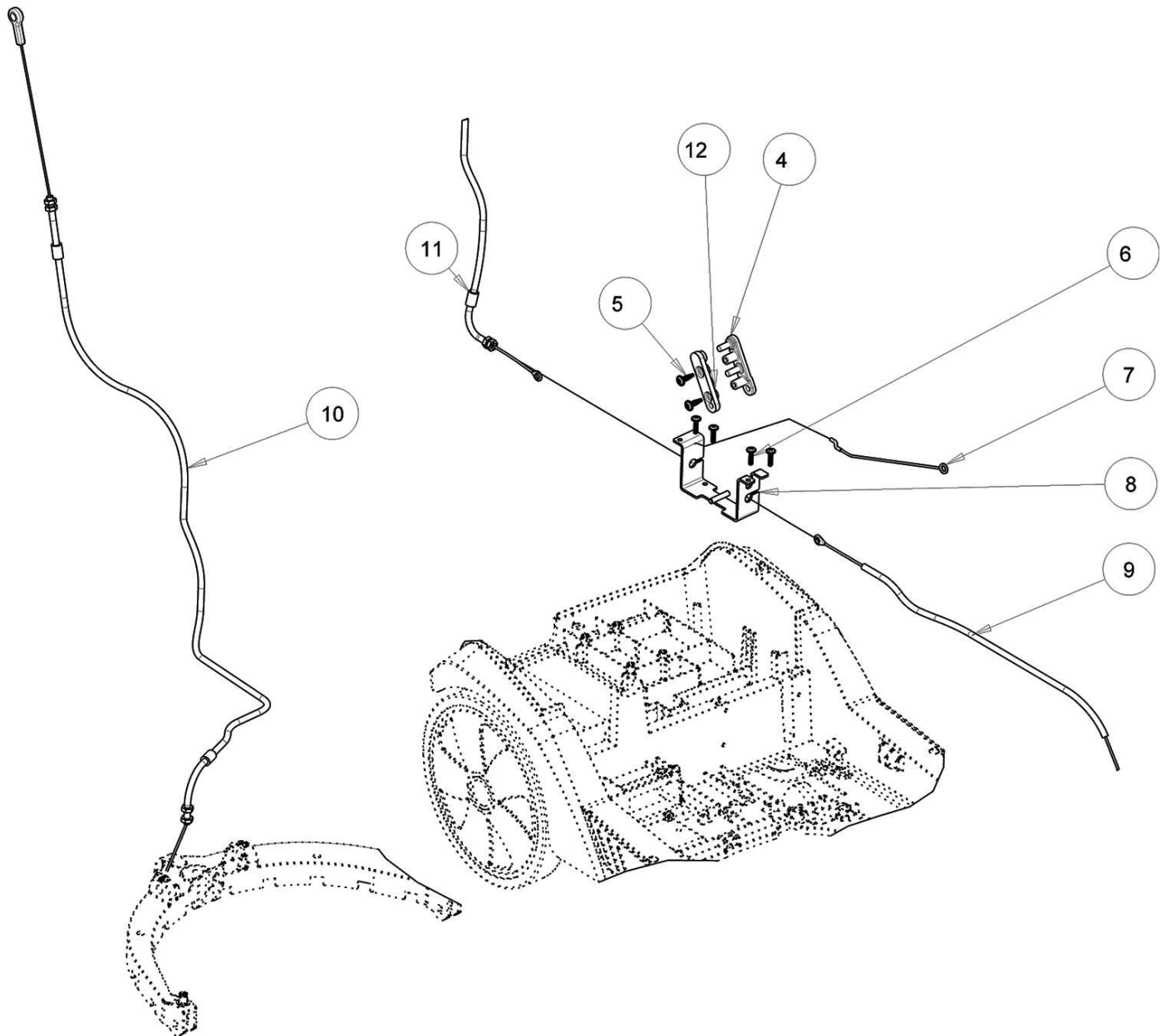
SOLUTION PUMP GROUP



Ref.	Part No.	Serial Number	Description	Qty.
1	MPVR12279	(125158x- 00001-)	COVERING PUMP CS5	1
3	N/A	(125158x- 00001-)	SUPPORT DX	1
4	TBBP00730	(125158x- 00001-)	TUBE 5X8	1
5	TBBP00729	(125158x- 00001-)	TUBE 5X8	1
8	N/A	(125158x- 00001-)	SUPPORT SX	1
9	N/A	(125158x- 00001-)	WASHER STEEL INOX 4X12	2
10	PPEL00140	(125158x- 00001-)	PUMP 24VDC	1
11	897669	(125158x- 00001-)	SCREW STS KN1031- Neu 4x16 - H2	3

N/A NOT AVAILABLE

CABLE GROUP



Ref.	Part No.	Serial Number	Description	Qty.
4	MPVR12725	(125158x- 00001-)	BRACKET SX	1
5	N/A	(125158x- 00001-)	SCREW STS KN1038 5x16 - T20 A2	2
6	N/A	(125158x- 00001-)	SCREW STS KN1031- Neu 4x16 - H2	4
7	N/A	(125158x- 00001-)	CABLE CS5	1
8	N/A	(125158x- 00001-)	BRACKET	1
9	CMCV00478	(125158x- 00001-)	CABLE WIPER CS5	1
10	CMCV00476	(125158x- 00001-)	CABLE FLOOR WIPER CS5	1
11	CMCV00477	(125158x- 00001-)	CABLE VALVE+FLOOR WIPER CS5	1
12	MPVR12724	(125158x- 00001-)	BRACKET DX	1

N/A NOT AVAILABLE

ELECTRICAL DIAGRAM

