



Electronic Service Manuals

This electronic document is provided as a service to our customers. We do not create the contents of the information contained in this document. Should you have detailed questions pertaining to the information contained in this document, you may contact Michco, or the manufacturer which provided the original information in this electronic deliverable. Michco's only part in this electronic deliverable was the electronic assembly process. By providing this manual on line we are not guaranteeing parts availability.

You may contact Michco through the following methods:

Phone (517) 484-9312 or (800) 331-3339

2011 N. High St. -- Lansing, Michigan -- 48906

Fax: (517) 484-9836

Email: CustServe@Michco.com

Web site: www.Michco.Com

Parts Web site: www.FloorMachineParts.Com

Order Parts on Line at:

www.FloorMachineParts.Com

Directly to Parts & Service:

By Email: **Shop@Michco.com**

By Fax: (517) 702-2041

By Voice: Use numbers above.

Serving the Cleaning Industry Since 1922

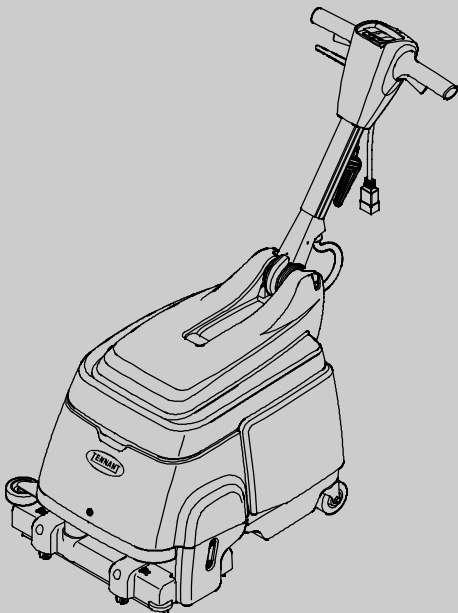
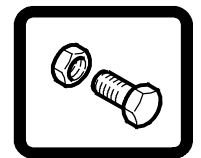
Notice: All copyrighted material remains property of original owners, all trademarks are property of respective owners. Manuals are subject to Manufacturer's reproduction limitations. Originals or reproductions were provided by manufacturers through a request. We make no warranty as to the correctness of information provided in this document and you assume all risk. By placing these manuals on line we are not declaring our corporation to be an manufacturer authorized dealer or provider, please check our web site for authorized manufacturers we represent.




T1

**Corded Floor Scrubber
(S/N 10000000-20000000)**

Parts Manual



Models
9004191 - 120V

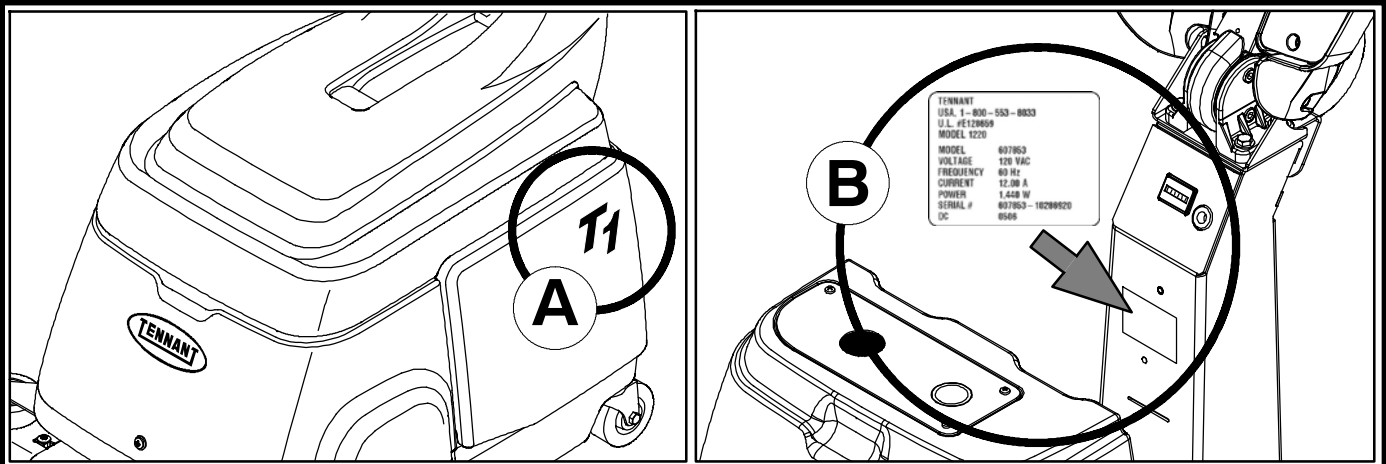
 For the latest Parts manuals and other
language Operator manuals, visit:
www.tennantco.com/manuals

North America / Japan

www.tennantco.com

**9006285
Rev. 03 (02-2014)**





Ref	Part No.	Serial Number	Description	Qty.
1	82681	(000000-)	Bracket Wldt, Lpg Mount	1
▽ 2	63810	(000000-)	Latch Assy, Lpg Tank Mtg, W/Nut	4
▲ 3	51839	(000000-)	Nut Adjustable, Lpg Tank Mtg	2
4	49263	(000000-)	Tie, Cable	3
(D)	82556	(000000- 001039)	Bracket, Vaporizer	1
	54930	(000000-)	Vaporizer, LPG	1

HOW TO ORDER PARTS - See diagram above

Only use TENNANT Company supplied or equivalent parts. Parts and supplies may be ordered online, by phone, by fax or by mail.

Follow the steps below to ensure prompt delivery.

1. (A) Identify the machine model.
2. (B) Identify the machine serial number from the data label.
3. (C) Ensure the proper serial number is used from the parts list.
4. Identify the part number and quantity.
Do not order by page or reference numbers.
5. Provide your name, company name, customer ID number, billing and shipping address, phone number and purchase order number.
6. Provide detail shipping instructions.

- (D) ▽ - identifies an assembly
 ▲ - identifies parts included in assembly

Please fill out at time of installation for future reference.

Model No. - _____

Serial No. - _____

Machine Options - _____

Sales Rep. - _____

Sales Rep. phone no. - _____

Customer ID Number - _____

Installation Date - _____

Tennant Company

PO Box 1452
 Minneapolis, MN 55440
 Phone: (800) 553-8033 or (763) 513-2850

www.tennantco.com

Specifications and parts are subject to change without notice.

Copyright © 2009-2014 TENNANT Company, Printed in U.S.A.

STANDARD PARTS

RECOMMENDED MAINTENANCE ITEMS	5
HANDLE GROUP, 120V	6
HANDLE GROUP, 230V	8
FRAME GROUP, 120V	10
FRAME GROUP, 230V	12
TANKS AND SHROUD GROUP	14
TANK COVER GROUP	16
VACUUM FAN GROUP	18
SOLUTION GROUP	20
SCRUB HEAD GROUP, 120V (S/N 10507590-)	22
SCRUB HEAD GROUP, 120V (S/N 10000000- 10507589)	24
SCRUB HEAD GROUP, 230V (S/N 10507590-)	26
SCRUB HEAD GROUP, 230V (S/N 10000000- 10507589)	28
SCRUB HEAD LIFT GROUP	30
SQUEEGEE GROUP, FRONT AND REAR	32
ELECTRICAL DIAGRAM, 120V	34
ELECTRICAL DIAGRAM, 230V	35

RECOMMENDED MAINTENANCE ITEMS

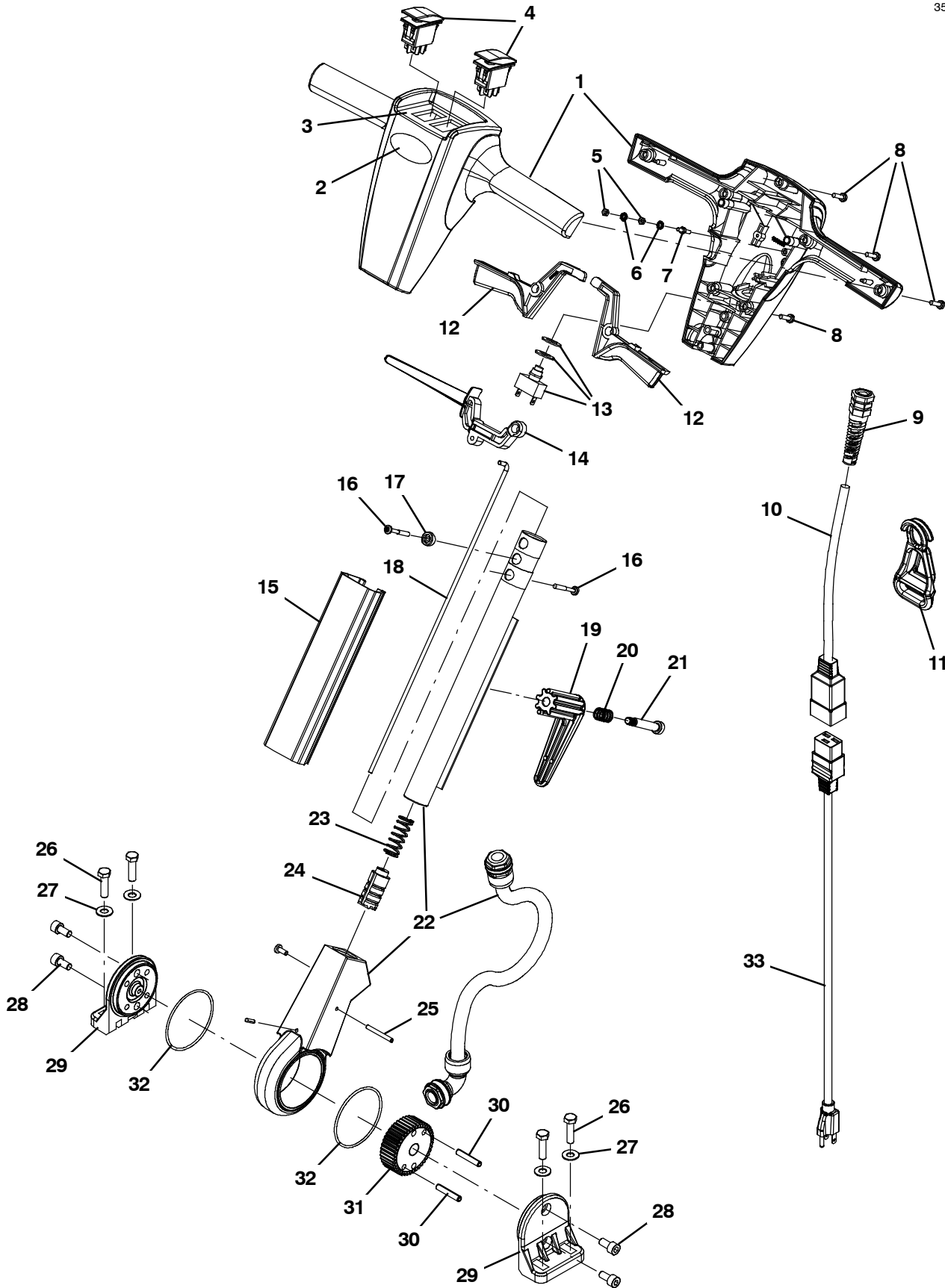
RECOMMENDED MAINTENANCE ITEMS

GENERAL RECOMMENDED MAINTENANCE ITEMS

Ref.	Part No.	Serial Number	Description	Qty.
	1014918	(10000000- 20000000)	Wheel, 03.0d 0.88w 0.31b, W/ Bshg, Rbr	3
	601443	(10000000- 20000000)	Caster, Swivel, 3.0d 1.3w, .50- 13 Stem	2
	9004283	(10000000- 20000000)	Belt Kit, W/ Installation Tool	1
	1037197	(10000000- 20000000)	Brush, Scrub, 89mm Od X 386mm, Nylon (Standard)	1
	1037277	(10000000- 20000000)	Brush, Scrub, 89mm Od X 386mm, Poly (Optional)	1
	1037278	(10000000- 20000000)	Brush, Scrub, 89mm Od X 386mm, Grit (Optional)	1
	9008581	(10000000- 20000000)	Wheel Kit, Sqge, W/ Hdwr	1
	1057241	(10000000- 20000000)	Blade Assy, Sqge, Inner, Ure	2
	1050943	(10000000- 20000000)	Blade Assy, Sqge, Outer, Ure	2
	1052876	(10000000- 20000000)	Gasket, Tank	2

HANDLE GROUP, 120V

355051



HANDLE GROUP, 120V

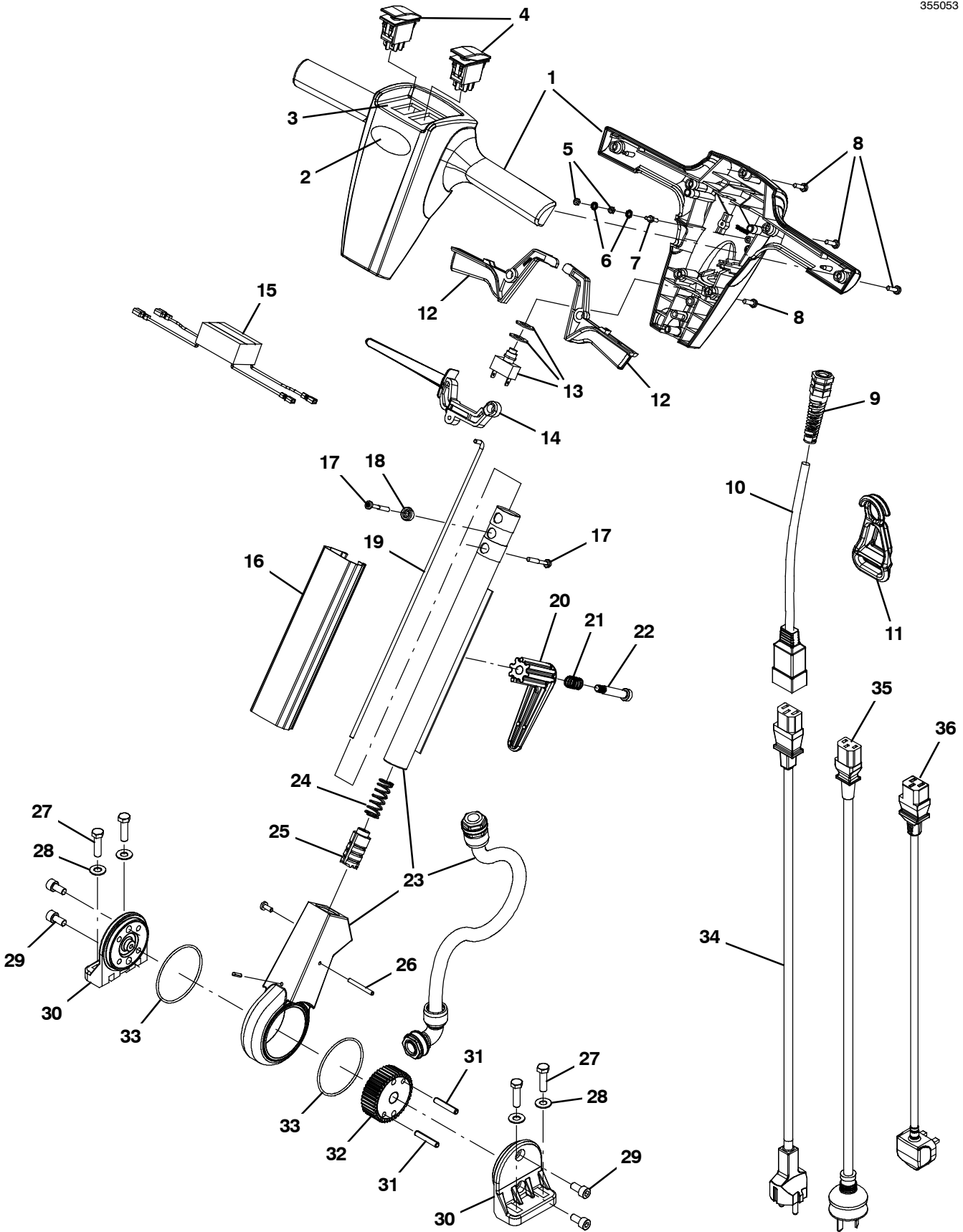
Ref.	Part No.	Serial Number	Description	Qty.
▽	9005505	(10000000- 20000000)	Handle, Tennant T1[120 Volt]	1
▲▽	1 9004320	(10000000- 20000000)	Cover, Handle Front/Rear Tennant T1 Kit	1
▲▲	2 1042589	(10000000- 20000000)	Label, Logo, 02.50l, White [Tennant]	1
▲▲	3 1037324	(10000000- 20000000)	Label, Opertnl, Instrmt Panl, Scrubber	1
▲	4 602919	(10000000- 20000000)	Switch, Rocker, Dpdt, On / On	2
▲	5 42368	(10000000- 20000000)	Nut, Hex, Std, M4 X 0.70, 8	2
▲	6 140061	(10000000- 20000000)	Washer, Lock, Ext, 08, Pl	2
▲	7 1034952	(10000000- 20000000)	Screw, Hex, M4 X 0.7 X 12, Dbl Thrd	1
▲	8 1043573	(10000000- 20000000)	Screw, #10- 14 X 0.675, Spl[Shcs,Selftap]	7
▲	9 130166	(10000000- 20000000)	Grip, Cord, Strainrelief Pg- 11 W/Nut Bk	1
▲	10 1042410	(10000000- 20000000)	Cord, 14ga /3, 16.0l, W/ Receptacle, Yel	1
▲	11 1037147	(10000000- 20000000)	Clip, Cord, Strainrelief, Black	1
▲	12 1033893	(10000000- 20000000)	Lever, Cntrl, Switch [Trex]	2
▲	13 9008568	(10000000- 20000000)	Switch Kit, W/ Washers, Fr/ F/1063165	1
▲	14 1034945	(10000000- 20000000)	Lever, Adjmt, Handle	1
▲	15 1034181	(10000000- 20000000)	Cover, Handle, Tennant [Trex]	1
▲	16 1043572	(10000000- 20000000)	Screw, #10- 14 X 01.5, Spl[Shcs Selftap]	2
▲	17 1034176	(10000000- 20000000)	Bushing, Flng, 5mmb 12mmd 8mml, Pa6	1
▲	18 1034180	(10000000- 20000000)	Rod, Release [Trex]	1
▲	19 603104	(10000000- 20000000)	Hook, Cord, Blk [Quick- Release]	1
▲	20 603108	(10000000- 20000000)	Spring, Cmpr, Switch	1
▲	21 140239	(10000000- 20000000)	Bolt, Shld, .38d X 1.75, .31- 18	1
▲	22 1045239	(10000000- 20000000)	Tube, Assy, Handle	1
▲	23 1013295	(10000000- 20000000)	Spring, Cmpr [2100 Series]	1
▲	24 9006059	(10000000- 20000000)	Plunger Kit, Handle	1
▲	25 1034924	(10000000- 20000000)	Pin, Roll, 04mmd X 40mml	1
▲	26 1016399	(10000000- 20000000)	Screw, Hex, M8 X 1.25 X 30, NI, Ss	4
▲	27 140027	(10000000- 20000000)	Washer, Flat, 0.35b 0.75d .04, Ss	4
▲	28 49609	(10000000- 20000000)	Screw, Soc, M8 X 1.25 X 16, 12.9	4
▲	29 1000307	(10000000- 20000000)	Handle, Pivot, Half	2
▲	30 1034155	(10000000- 20000000)	Pin, Roll, 06mmd X 36mml	2
▲	31 1034872	(10000000- 20000000)	Gear, Lock, Handle	1
▲	32 612422	(10000000- 20000000)	Seal, Org, Gear Seat	2
▲	33 1042403	(10000000- 20000000)	Cord, Power, 1.5mm /3 Yel[2x15m 50ft Us]	1

▽ ASSEMBLY

▲ INCLUDED IN ASSEMBLY

HANDLE GROUP, 230V

355053



HANDLE GROUP, 230V

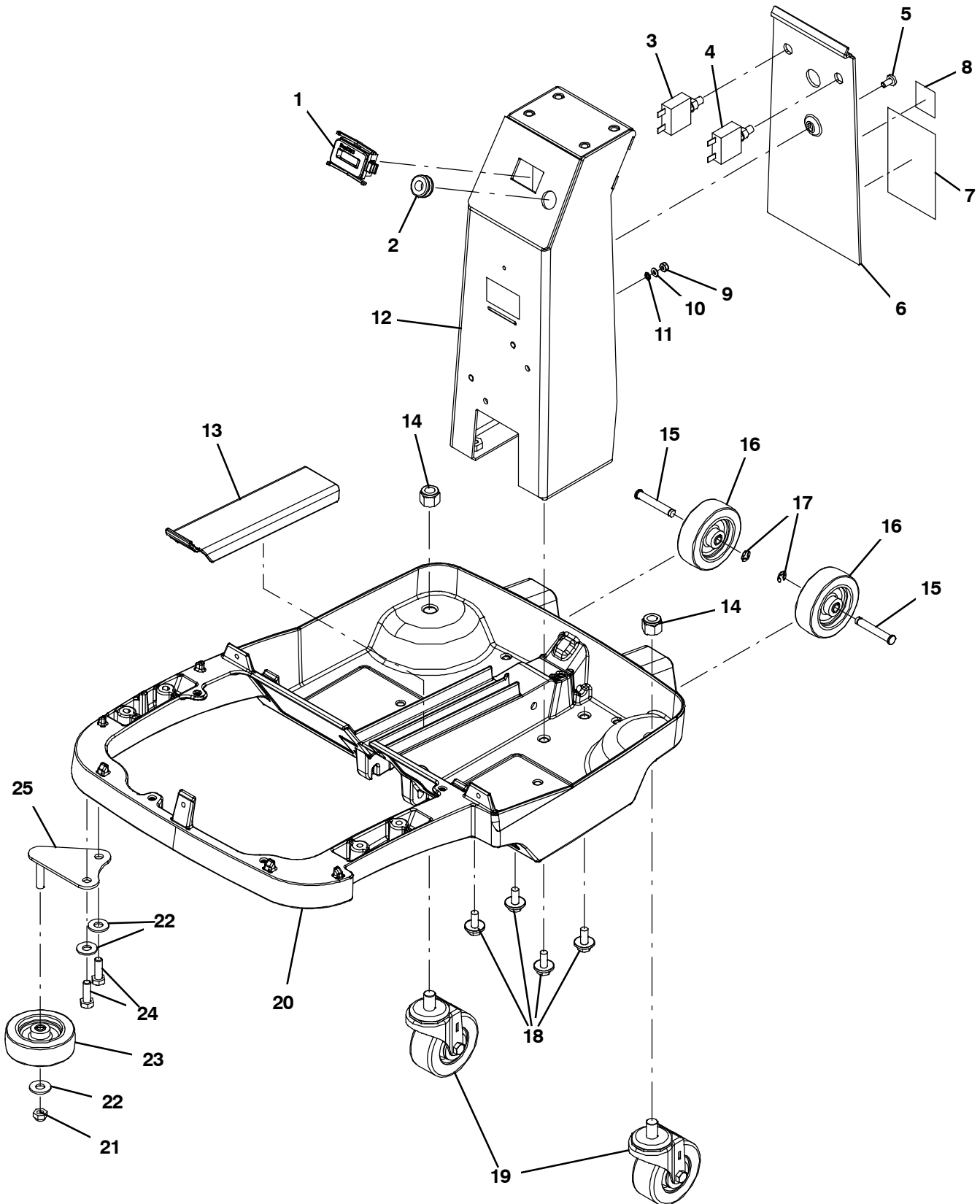
Ref.	Part No.	Serial Number	Description	Qty.
▽	9005508	(10000000- 20000000)	Handle, Tennant T1[230 Volt]	1
▲▽	1 9004320	(10000000- 20000000)	Cover, Handle Front/Rear Tennant T1 Kit	1
▲▲	2 1042589	(10000000- 20000000)	Label, Logo, 02.50l, White [Tennant]	1
▲▲	3 1037324	(10000000- 20000000)	Label, Opertnl, Instrmt Panl, Scrubber	1
▲	4 602919	(10000000- 20000000)	Switch, Rocker, Dpdt, On / On	2
▲	5 42368	(10000000- 20000000)	Nut, Hex, Std, M4 X 0.70, 8	2
▲	6 140061	(10000000- 20000000)	Washer, Lock, Ext, 08, Pl	2
▲	7 1034952	(10000000- 20000000)	Screw, Hex, M4 X 0.7 X 12, Dbl Thrd	1
▲	8 1043573	(10000000- 20000000)	Screw, #10- 14 X 0.675, Spl[Shcs,Selftap]	7
▲	9 130166	(10000000- 20000000)	Grip, Cord, Strainrelief Pg- 11 W/Nut Bk	1
▲	10 1040343	(10000000- 20000000)	Cord, 14ga /3, 16.0l, W/ Receptacle, Blk	1
▲	11 1037147	(10000000- 20000000)	Clip, Cord, Strainrelief, Black	1
▲	12 1033893	(10000000- 20000000)	Lever, Cntrl, Switch [Trex]	2
▲	13 9008568	(10000000- 20000000)	Switch Kit, W/ Washers, Fr/ F/1063165	1
▲	14 1034945	(10000000- 20000000)	Lever, Adjmt, Handle	1
▲	15 1054252	(10000000- 20000000)	Filter, Handle, 250 Vac, 50/60hz, 8 Amp	1
▲	16 1034181	(10000000- 20000000)	Cover, Handle, Tennant [Trex]	1
▲	17 1043572	(10000000- 20000000)	Screw, #10- 14 X 01.5, Spl[Shcs Selftap]	2
▲	18 1034176	(10000000- 20000000)	Bushing, Flng, 5mmb 12mmd 8mml, Pa6	1
▲	19 1034180	(10000000- 20000000)	Rod, Release [Trex]	1
▲	20 603104	(10000000- 20000000)	Hook, Cord, Blk [Quick- Release]	1
▲	21 603108	(10000000- 20000000)	Spring, Cmpr, Switch	1
▲	22 140239	(10000000- 20000000)	Bolt, Shld, .38d X 1.75, .31- 18	1
▲	23 1045239	(10000000- 20000000)	Tube, Assy, Handle	1
▲	24 1013295	(10000000- 20000000)	Spring, Cmpr [2100 Series]	1
▲	25 9006059	(10000000- 20000000)	Plunger Kit, Handle	1
▲	26 1034924	(10000000- 20000000)	Pin, Roll, 04mmd X 40mml	1
▲	27 1016399	(10000000- 20000000)	Screw, Hex, M8 X 1.25 X 30, NI, Ss	4
▲	28 140027	(10000000- 20000000)	Washer, Flat, 0.35b 0.75d .04, Ss	4
▲	29 49609	(10000000- 20000000)	Screw, Soc, M8 X 1.25 X 16, 12.9	4
▲	30 1000307	(10000000- 20000000)	Handle, Pivot, Half	2
▲	31 1034155	(10000000- 20000000)	Pin, Roll, 06mmd X 36mml	2
▲	32 1034872	(10000000- 20000000)	Gear, Lock, Handle	1
▲	33 612422	(10000000- 20000000)	Seal, Org, Gear Seat	2
	34 1035571	(10000000- 20000000)	Cord, Extn, 1.5mm /3 [2x20m, Ce]	1
	35 1036912	(10000000- 20000000)	Cord, Power, 1.5mm /3 Blk [2x15m, Aus]	1
	36 1036891	(10000000- 20000000)	Cord, Power, 1.5mm /3 Blk [2x20m,Uk]	1

▽ ASSEMBLY

▲ INCLUDED IN ASSEMBLY

FRAME GROUP, 120V

355056



FRAME GROUP, 120V

Ref.	Part No.	Serial Number	Description	Qty.	
1	1064038	(10000000- 20000000)	Gauge, Hourmeter, 05- 277 Volt, Ac / Dc	1	
2	86726	(10000000- 20000000)	Grommet, Rbr, 0.44id, F/0.5h, .19 Matl	1	
3	383720	(10000000- 20000000)	Circuitbreaker, 05.0a, Resetable	1	
4	383722	(10000000- 20000000)	Circuitbreaker, 15.0a, Resetable	1	
5	74027	(10000000- 20000000)	Screw, Pan, Phl, M6 X 1.00 X 12, NI, PI	1	
▽	6	9004277	(10000000- 20000000)	Cover Kit, Column, W/ Label [3gal 120v]	1
▲	7	1039105	(10000000- 20000000)	Label,Warning,Ac Scrb/Extr [En/Fr/Es/Jp]	1
▲	8	NA	(10000000- 20000000)	Label, Safety, 120vac [EtI]	1
9	1044427	(10000000- 20000000)	Nut, Hex, Lock, #8- 32, NI, Ss	1	
10	41578	(10000000- 20000000)	Washer, Flat, 06, Ss	1	
11	02938	(10000000- 20000000)	Washer, Lock, Int, 08, Ss	1	
12	9004276	(10000000- 20000000)	Column Kit, Sppt, W/ Label [3 Gal]	1	
13	1030718	(10000000- 20000000)	Cover, Frame, Rear [Trex]	1	
14	02931	(10000000- 20000000)	Nut, Hex, Lock, .50- 13, NI, Ss	2	
15	1035137	(10000000- 20000000)	Pin, Clevis, Grvd 0.31d X 2.00l, Ss	2	
16	1014918	(10000000- 20000000)	Wheel, 03.0d 0.88w 0.31b, W/ Bshg, Rbr	2	
17	1035139	(10000000- 20000000)	Ring, Retaining, Ext, 0.31d, E- Type	2	
18	1020341	(10000000- 20000000)	Screw, Hex, M8 X 1.25 X 20, Ss, Sems	4	
19	601443	(10000000- 20000000)	Caster, Swivel, 3.0d 1.3w, .50- 13 Stem	2	
20	1034013	(10000000- 20000000)	Frame (Machined)	1	
21	08713	(10000000- 20000000)	Nut, Hex, Lock, M8 X 1.25, NI, Ss	1	
22	140027	(10000000- 20000000)	Washer, Flat, 0.35b 0.75d .04, Ss	3	
23	1014918	(10000000- 20000000)	Wheel, 03.0d 0.88w 0.31b, W/ Bshg, Rbr	1	
24	49826	(10000000- 20000000)	Screw, Hex, M8 X 1.25 X 16, NI, Ss	2	
25	1034805	(10000000- 20000000)	Bracket, Bumper Wheel	1	
N/S	1033825	(10000000- 20000000)	Harness, Chassis, Ele, Scbr, [T- Rex]	1	

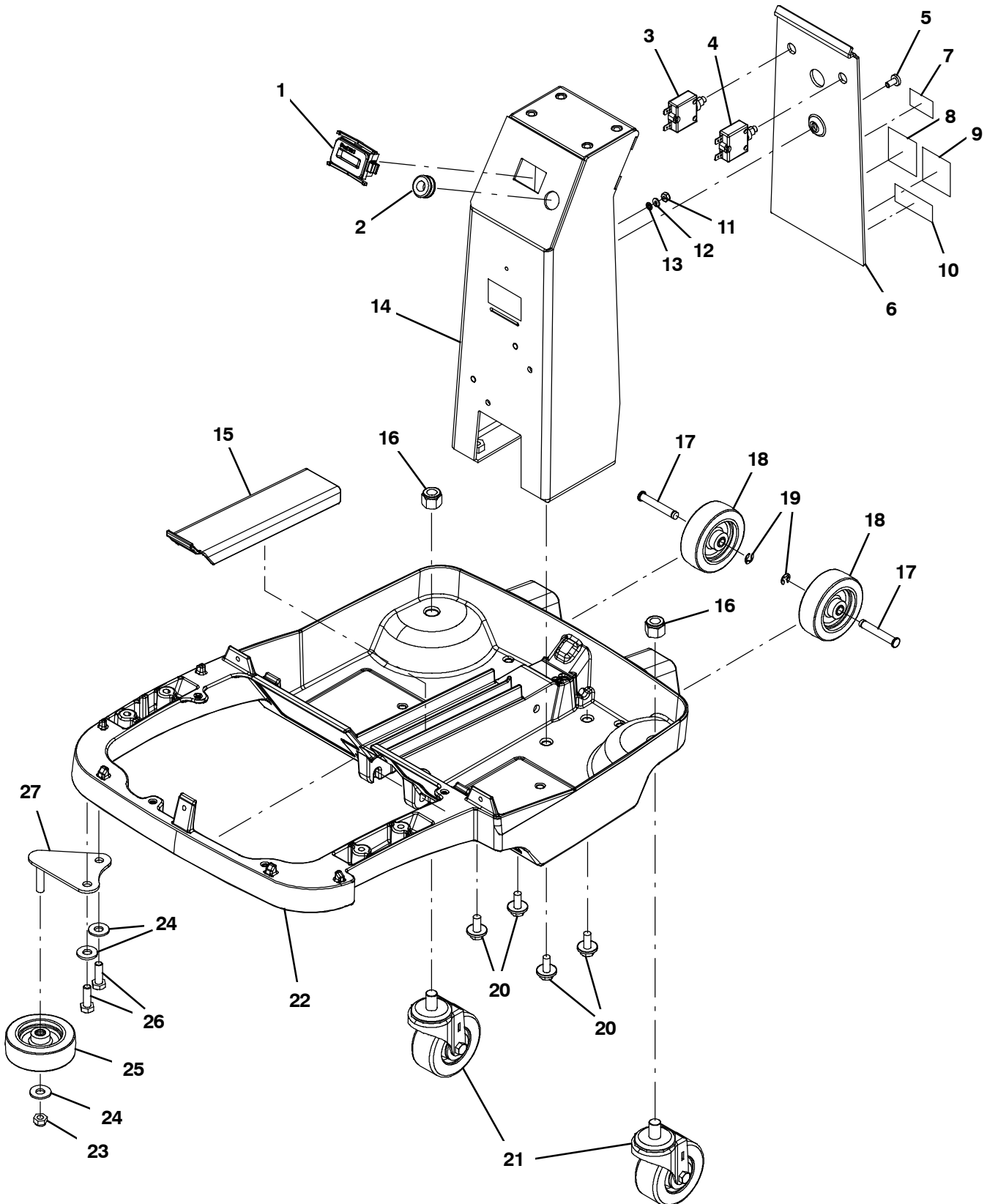
▽ ASSEMBLY

▲ INCLUDED IN ASSEMBLY

N/S = NOT SHOWN

FRAME GROUP, 230V

355057



FRAME GROUP, 230V

Ref.	Part No.	Serial Number	Description	Qty.	
1	1064038	(10000000- 20000000)	Gauge, Hourmeter, 05- 277 Volt, Ac / Dc	1	
2	86726	(10000000- 20000000)	Grommet, Rbr, 0.44id, F/0.5h, .19 Matl	1	
3	1037100	(10000000- 20000000)	Circuitbreaker, 2.5 Amp, 230 Volt	1	
4	1037086	(10000000- 20000000)	Circuitbreaker, 7.5 Amp, 230 Volt	1	
5	74027	(10000000- 20000000)	Screw, Pan, Phl, M6 X 1.00 X 12, NI, PI	1	
▽	6	9004295	(10000000- 20000000)	Column, Cover W/ Labels 3 Gal 230v Kit	1
▲	7	NA	(10000000- 20000000)	Label, Safety, 230Vac [Ce, C- Tic]	1
▲	8	1030494	(10000000- 20000000)	Label, Hzrd, Flammable Matl, Ce	1
▲	9	1028077	(10000000- 20000000)	Label [Read Manual, Iso]	1
▲	10	993852	(10000000- 20000000)	Label, Warning [Electrical Hazard]	1
	11	1044427	(10000000- 20000000)	Nut, Hex, Lock, #8- 32, NI, Ss	1
	12	41578	(10000000- 20000000)	Washer, Flat, 06, Ss	1
	13	02938	(10000000- 20000000)	Washer, Lock, Int, 08, Ss	1
	14	9004276	(10000000- 20000000)	Column Kit, Sppt, W/ Label [3 Gal]	1
	15	1030718	(10000000- 20000000)	Cover, Frame, Rear [Trex]	1
	16	02931	(10000000- 20000000)	Nut, Hex, Lock, .50- 13, NI, Ss	2
	17	1035137	(10000000- 20000000)	Pin, Clevis, Grvd 0.31d X 2.00l, Ss	2
	18	1014918	(10000000- 20000000)	Wheel, 03.0d 0.88w 0.31b, W/ Bshg, Rbr	2
	19	1035139	(10000000- 20000000)	Ring, Retaining, Ext, 0.31d, E- Type	2
	20	1020341	(10000000- 20000000)	Screw, Hex, M8 X 1.25 X 20, Ss, Sems	4
	21	601443	(10000000- 20000000)	Caster, Swivel, 3.0d 1.3w, .50- 13 Stem	2
	22	1034013	(10000000- 20000000)	Frame (Machined)	1
	23	08713	(10000000- 20000000)	Nut, Hex, Lock, M8 X 1.25, NI, Ss	1
	24	140027	(10000000- 20000000)	Washer, Flat, 0.35b 0.75d .04, Ss	3
	25	1014918	(10000000- 20000000)	Wheel, 03.0d 0.88w 0.31b, W/ Bshg, Rbr	1
	26	49826	(10000000- 20000000)	Screw, Hex, M8 X 1.25 X 16, NI, Ss	2
	27	1034805	(10000000- 20000000)	Bracket, Bumper Wheel	1
	N/S	1033825	(10000000- 20000000)	Harness, Chassis, Ele, Scrbr, [T- Rex]	1

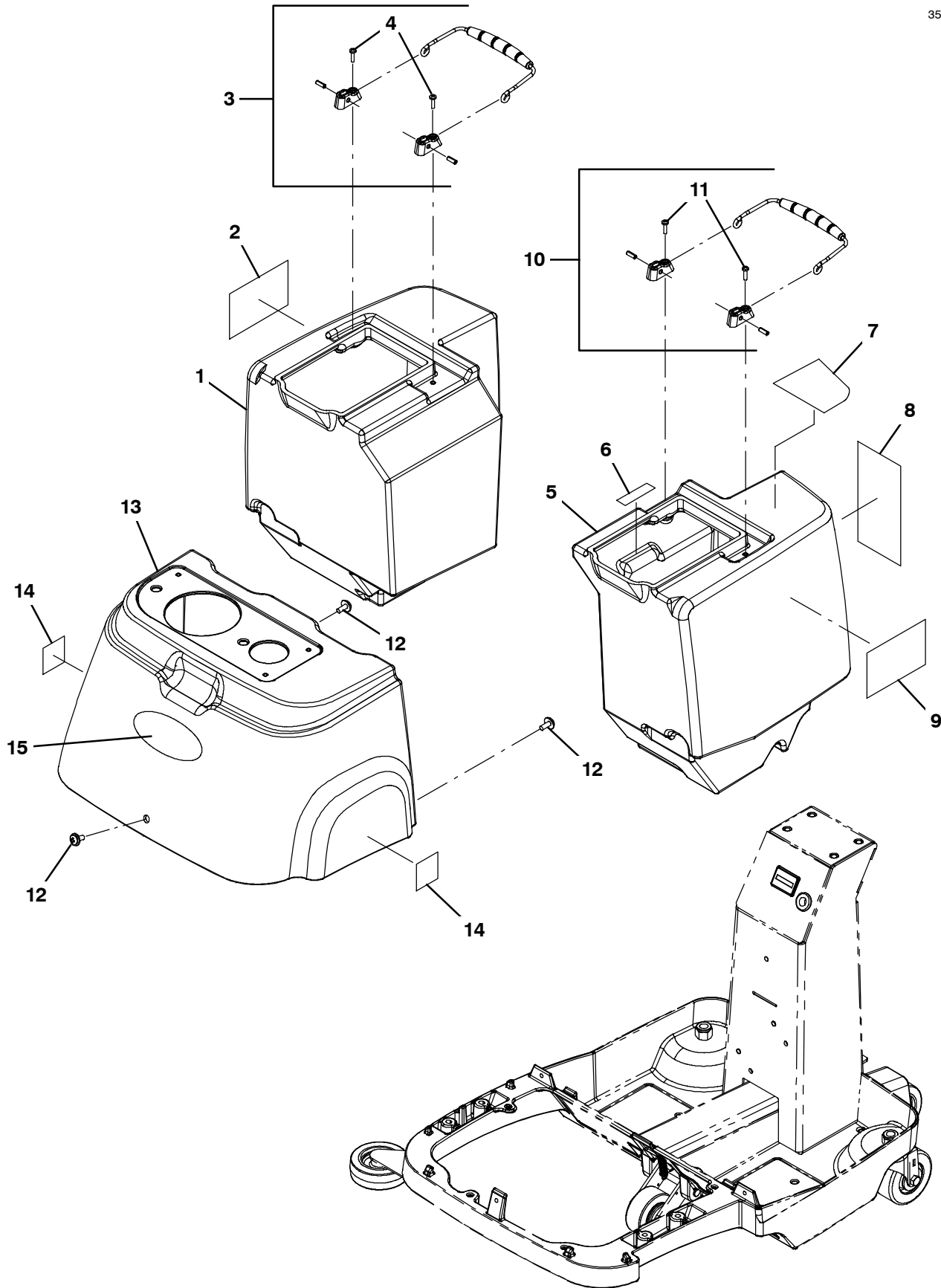
▽ ASSEMBLY

▲ INCLUDED IN ASSEMBLY

N/S = NOT SHOWN

TANKS AND SHROUD GROUP

355062



TANKS AND SHROUD GROUP

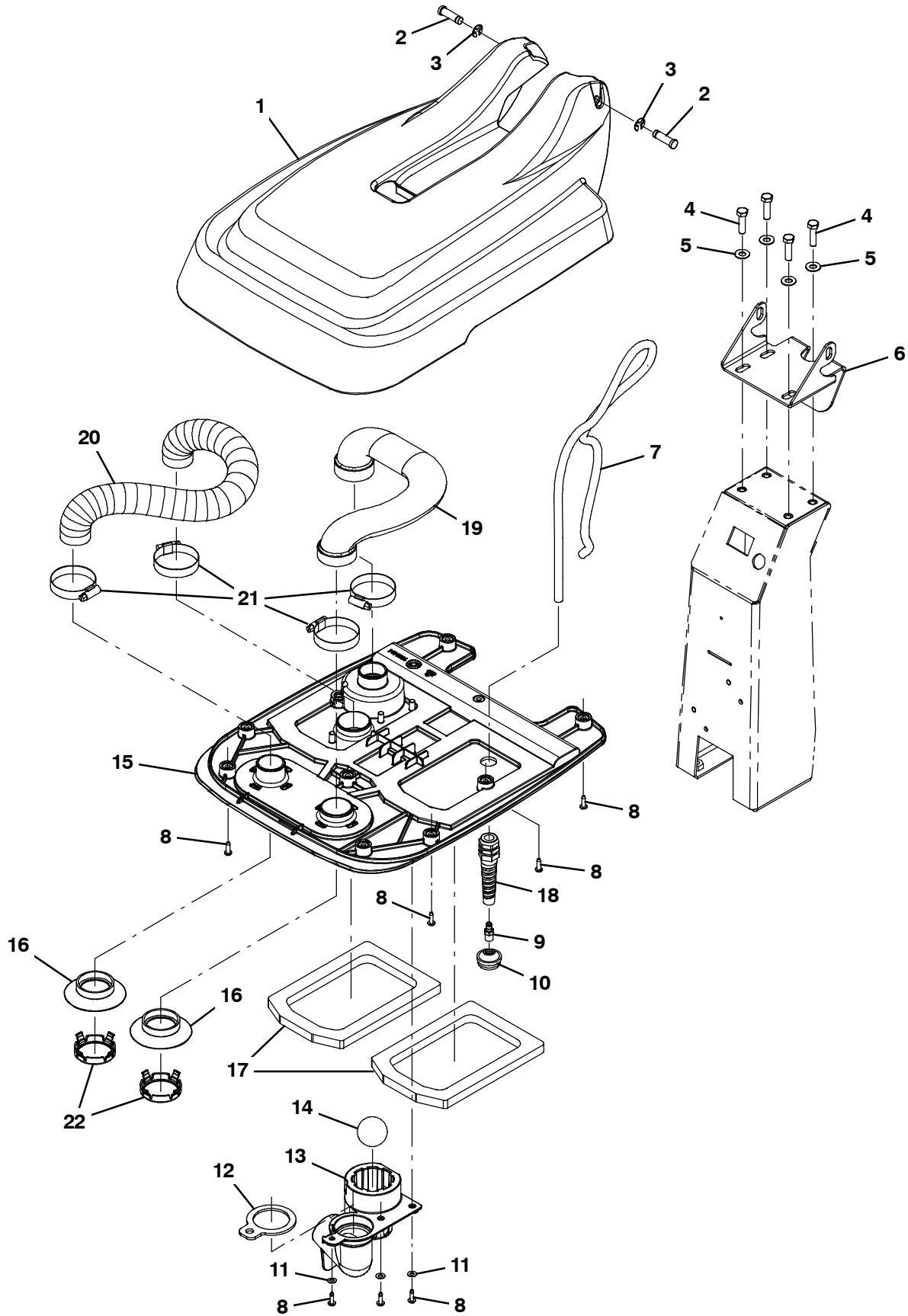
	Ref.	Part No.	Serial Number	Description	Qty.
▽	1	9004312	(10000000- 20000000)	Tank, Rec W/ Labels Tennant 3 Gal Kit	1
▲	2	1039085	(10000000- 20000000)	Label, Side [T1 Scrubber]	1
▲▽	3	9004285	(10000000- 20000000)	Handle, Tank Kit	1
▲▲	4	24265	(10000000- 20000000)	Screw, Pan, Phl, M4 X 0.70 X 16, Ss	2
▽	5	9004314	(10000000- 20000000)	Tank, Sol W/ Labels Tennant 3 Gal Kit	1
▲	6	1044865	(10000000- 20000000)	Label, Solution, Tank, Max. Fill, 3 Gal.	1
▲	7	1039138	(10000000- 20000000)	Label, Tank, Soltn, 3.0gal	1
▲	8	1040112	(10000000- 20000000)	Label, Oper, Instr [Scrubber]	1
▲	9	1039085	(10000000- 20000000)	Label, Side [T1 Scrubber]	1
▲▽	10	9004285	(10000000- 20000000)	Handle, Tank Kit	1
▲▲	11	24265	(10000000- 20000000)	Screw, Pan, Phl, M4 X 0.70 X 16, Ss	2
	12	1019349	(10000000- 20000000)	Screw, Trs, M6 X 1.00 X 16, Ss, Sems	3
▽	13	9004301	(10000000- 20000000)	Shroud, W/ Labels Tennant 3 Gal Kit	1
▲	14	578769	(10000000- 20000000)	Decal, Moving Parts Textless	2
▲	15	1039084	(10000000- 20000000)	Label, Logo, White, Tennant, 5.5"Lg	1

▽ ASSEMBLY

▲ INCLUDED IN ASSEMBLY

TANK COVER GROUP

355055



TANK COVER GROUP

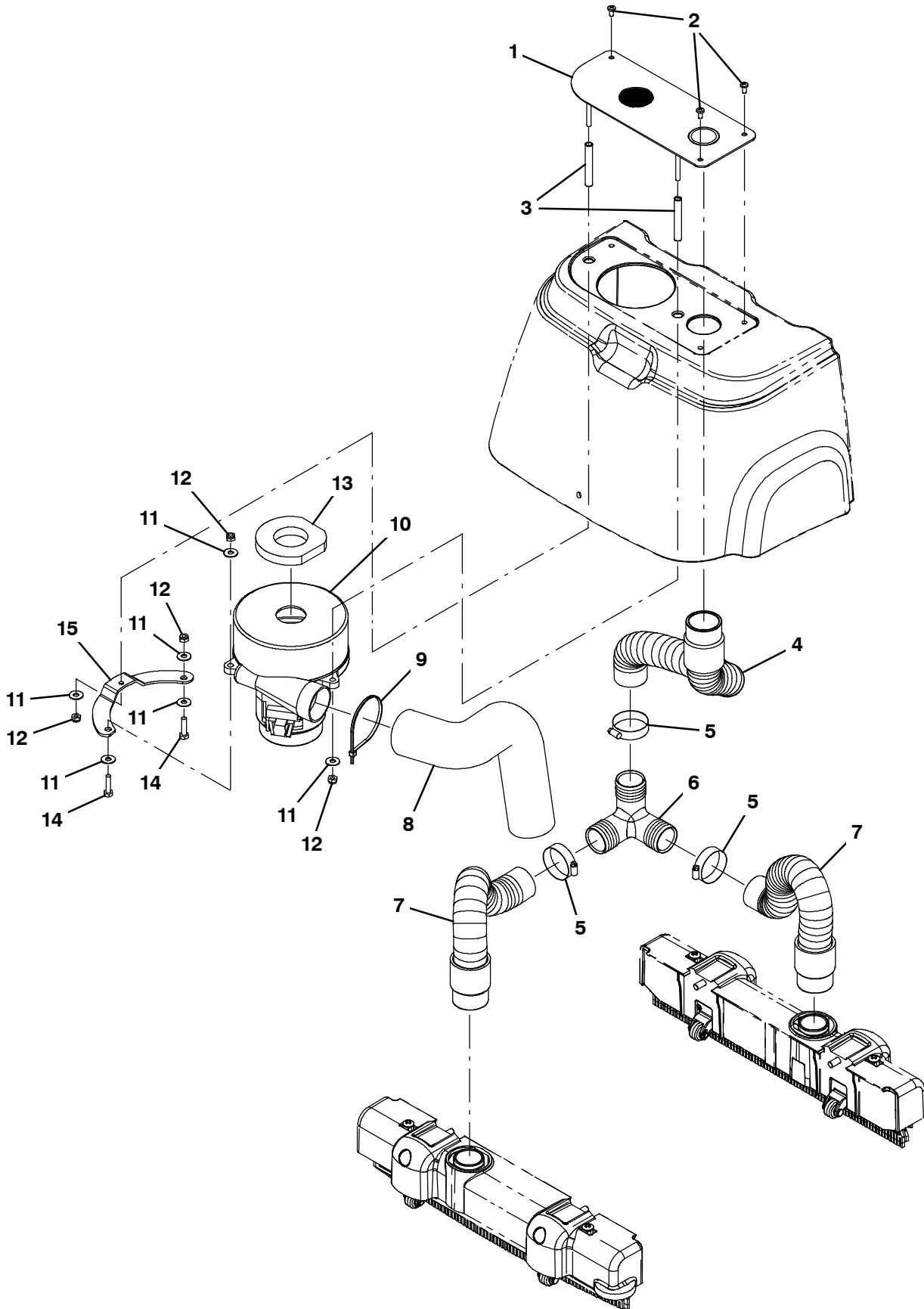
Ref.	Part No.	Serial Number	Description	Qty.
1	1031638	(10000000-20000000)	Cover , Tank, Upper, Tennant [Trex]	1
2	1035358	(10000000-20000000)	Pin, Grvd, 0.375d, 1.25l	2
3	24555	(10000000-20000000)	Ring, Retaining, Ext, 0.38d, [E- Ring]	2
4	1016399	(10000000-20000000)	Screw, Hex, M8 X 1.25 X 30, NI, Ss	4
5	140027	(10000000-20000000)	Washer, Flat, 0.35b 0.75d .04, Ss	4
6	1034346	(10000000-20000000)	Bracket, Pivot, Cover, Mtg	1
7	1036078	(10000000-20000000)	Hose, Soltn, .25 Id, .453 Od, 41.25 L	1
8	140340	(10000000-20000000)	Screw, Pan, Phl, 10- 24 X 0.62, Ss[Typ25]	13
9	1042715	(10000000-20000000)	Fitting, Brs, Str, Bm04/Pm02	1
10	1032556	(10000000-20000000)	Filter, Soltn Tube, 80 Mesh	1
11	140011	(10000000-20000000)	Washer, Flat, 0.21b 0.45d .03, Ss	2
12	1051274	(10000000-20000000)	Gasket, Shield, Float	1
13	1042277	(10000000-20000000)	Shield, Float	1
14	1044370	(10000000-20000000)	Ball, Float, W/O Cage	1
▽	15	9005924	(10000000-20000000) Cover, Tank, Inner W/ Seals, Kit	1
▲	16	1036090	(10000000-20000000) Seal, Vacuum [Trex]	2
▲	17	1052876	(10000000-20000000) Gasket, Tank	2
▲	18	602849	(10000000-20000000) Strainrelief, Cord, Ele, Pm08, Blk Nyl	1
	19	1035866	(10000000-20000000) Hose, Recvy, Formed [Trex]	1
	20	1037756	(10000000-20000000) Hose, Vacuum, 1.5od, 18.0l [Wire- Reinf]	1
	21	140308	(10000000-20000000) Clamp, Hose, Wormdrive, 1.31- 2.25d, .50w	4
	22	1054345	(10000000-20000000) Clip, Retaining, Seal	2

▽ ASSEMBLY

▲ INCLUDED IN ASSEMBLY

VACUUM FAN GROUP

355061



VACUUM FAN GROUP

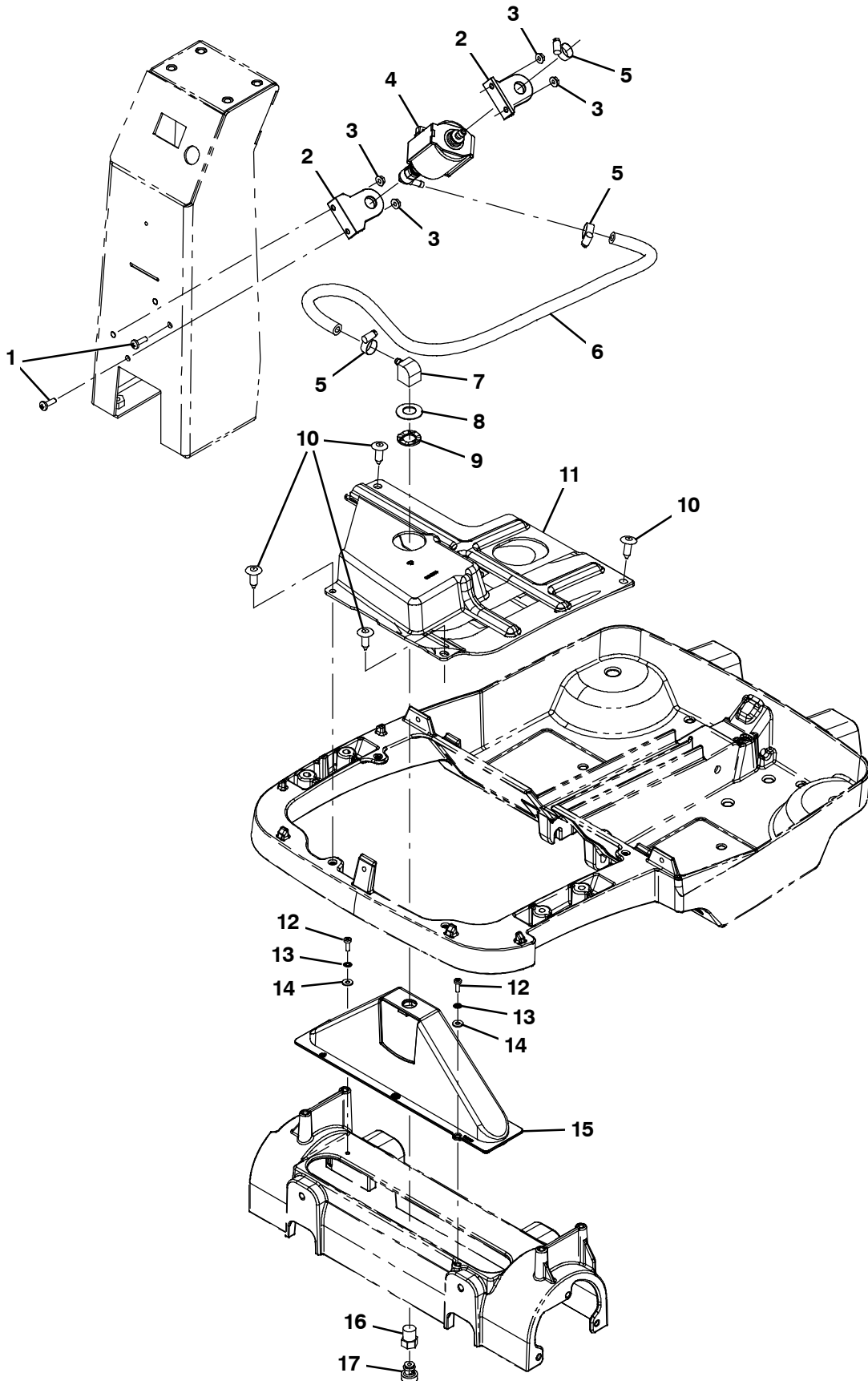
Ref.	Part No.	Serial Number	Description	Qty.
1	1031960	(10000000-20000000)) Plate, Mtg, Vacuum	1
2	1026454	(10000000-20000000)) Screw, Pan, Phl, M5 X 0.80 X 10, Ss	3
3	610144	(10000000-20000000)) Spacer, Fan	2
4	1038394	(10000000-20000000)) Hose, Vacuum, 38.0id X 380.0l, 1cuff	1
5	79381	(10000000-20000000)) Clamp, Hose, Wormdrive, 1.25- 2.00d, .50w	3
6	1031965	(10000000-20000000)) Fitting, Brb, Pvc, 1.5in 3 Way X 90	1
7	1038391	(10000000-20000000)) Hose, Vacuum, 38.0id X 330.0l, 1cuff	2
8	390677	(10000000-20000000)) Muffler, Exhaust, Vacfan, Long	1
9	130773	(10000000-20000000)) Tie, Cable, Nyl, 11.0l, .14w, 3.0 Max. D	1
▽	10	1071839	(10669373-20000000)) Fan, Vacuum, 5.7d, 120vac, 2 Stage [Bpt]	1
▲		1071842	(10669373-20000000)) Vr, Brush Kit, Vac Fan 1071839	1
	10	1037541	(10000000-10669372)) Fan, Vacuum, 5.7d, 120 Vac, 2 Stage (Replaced by 1071839)	1
▽	10	1071840	(10669373-20000000)) Fan, Vacuum, 5.7d, 240vac, 2 Stage [Bpt]	1
▲		1071843	(10669373-20000000)) Vr, Brush Kit, Vac Fan 1071840	1
	10	1038018	(10000000-10669372)) Fan, Vacuum, 5.7d, 240 Vac, 2 Stage (Replaced by 1071840)	1
	11	01684	(10000000-20000000)) Washer, Flat, 0.27b 0.69d .05, Ss	6
	12	08708	(10000000-20000000)) Nut, Hex, Lock, M6 X 1.00, NI	4
	13	630010	(10000000-20000000)) Gasket, 12.7mm Th, 43mmid 73mmmod	1
	14	09007	(10000000-20000000)) Screw, Hex, M6 X 1.00 X 25, Ss	2
	15	1034069	(10000000-20000000)) Plate, Vac Mounting	1

▽ ASSEMBLY

▲ INCLUDED IN ASSEMBLY

SOLUTION GROUP

355060

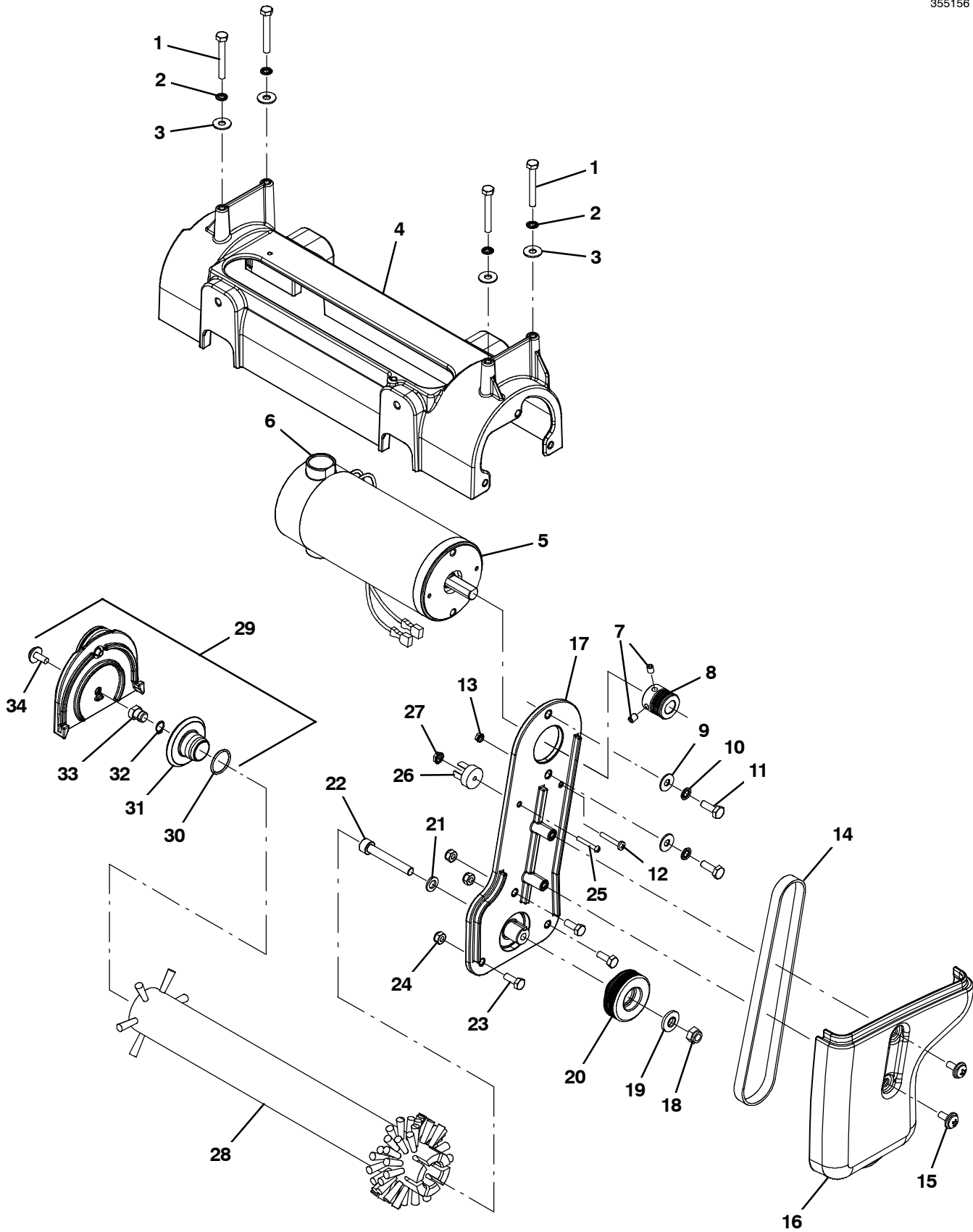


SOLUTION GROUP

Ref.	Part No.	Serial Number	Description	Qty.
1	06933	(10000000- 20000000)	Screw, Pan, Phl, M5 X 0.80 X 16, 4.8	4
2	1036121	(10000000- 20000000)	Mount, Pump, Cp6	2
3	07789	(10000000- 20000000)	Nut, Hex, Flng, M5 X 0.80	4
4	1035850	(10000000- 20000000)	Pump, Solution, Solenoid 120v	1
4	1035862	(10000000- 20000000)	Pump, Solution, Solenoid 230v [T- Rex]	1
5	43844	(10000000- 20000000)	Clamp, Hose, Wormdrive, 0.25- 0.62d, .31w	3
6	613435	(10000000- 20000000)	Hose, Pvc, Brd, 0.25id 0.50od 25.9l, Gray (160204)	1
7	1028773	(10000000- 20000000)	Fitting, Brs, E90, Bm04/Pf04	1
8	1035296	(10000000- 20000000)	Washer, Flat, Belleville, .567	1
9	1042714	(10000000- 20000000)	Washer, Wavy, 0.59b 1.01d .02	1
10	140262	(10000000- 20000000)	Rivet, Plstc, .250d, Blk [Xmas Tree]	3
11	1037573	(10000000- 20000000)	Shield, Access [Trex]	1
12	579237	(10000000- 20000000)	Screw, Pan, Phl, M4 X 0.70 X 12, Ss	2
13	02938	(10000000- 20000000)	Washer, Lock, Int, 08, Ss	2
14	41579	(10000000- 20000000)	Washer, Flat, 08, Ss	2
15	1034395	(10000000- 20000000)	Shroud, Splash, Nozzle [Trex]	1
16	1034582	(10000000- 20000000)	Nozzle Adapter, Qppm	1
17	1033942	(10000000- 20000000)	Nozzle [Qmvv 110- 015]	1

SCRUB HEAD GROUP, 120V (S/N 10507590-)

355156



SCRUB HEAD GROUP, 120V (S/N 10507590-)

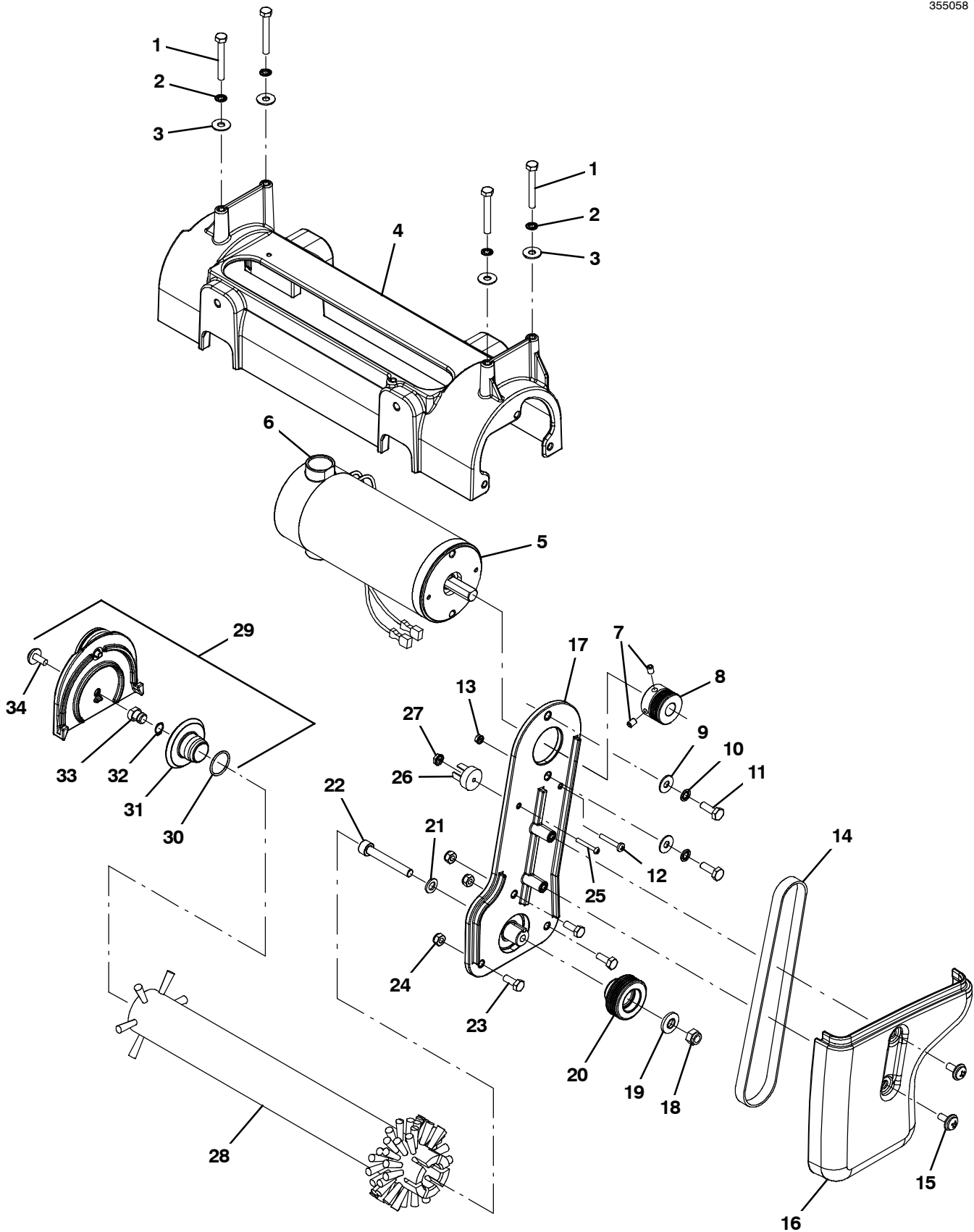
Ref.	Part No.	Serial Number	Description	Qty.
	1	1045325	(10000000- 20000000) Screw, Hex, M6 X 1.00 X 45, Ss	4
	2	07515	(10000000- 20000000) Washer, Lock, Int, 0.25, Ss	4
	3	01684	(10000000- 20000000) Washer, Flat, 0.27b 0.69d .05, Ss	4
	4	1034380	(10000000- 20000000) Housing, Brush, Sngl, 40cm	1
▽	5	1072719	(10656884- 20000000) Motor, Ele, 115vdc 2200rpm .33hp	1
▲	6	1067897	(10656884- 20000000) Vr, Brush Kit, Motor	2
▽	5	1034457	(10507590- 10656883) Motor, .25hp, 115vdc, 2.5a, 2400 Rpm (Replaced by 1072719)	1
▲	6	1045234	(10000000- 10656883) Brush, Carbon (Pk=2) Ref Part 1034457	2
	7	09162	(10000000- 20000000) Screw, Set, Soc, M6 X 1.00 X 8, NI	2
	8	1063530	(10507590- 20000000) Sheave, 07grv, 25.8pd [Ph]	1
	9	01684	(10000000- 20000000) Washer, Flat, 0.27b 0.69d .05, Ss	2
	10	07515	(10000000- 20000000) Washer, Lock, Int, 0.25, Ss	2
	11	34323	(10000000- 20000000) Screw, Hex, .25- 20 X 0.75, NI	2
	12	1033197	(10000000- 20000000) Screw, Pan, Phl, M4 X 0.70 X 25, Ss	1
	13	1007109	(10000000- 20000000) Nut, Hex, Lock, M4 X 0.70, Kep, Ext	1
	14	9004283	(10000000- 20000000) Belt Kit, W/ Installation Tool	1
	15	1019349	(10000000- 20000000) Screw, Trs, M6 X 1.00 X 16, Ss, Sems	2
	16	1064396	(10000000- 20000000) Cover, Belt, BI- Gr (Single Roller)	1
▽	17	9008296	(10507590- 20000000) Bracket, Motor Mount W/ Bearing/Seal Kit	1
▲	18	08713	(10451589- 20000000) Nut, Hex, Lock, M8 X 1.25, NI, Ss	1
▲	19	41186	(10000000- 20000000) Washer, Flat, Belleville, .31	1
▲	20	1030625	(10507590- 20000000) Sheave, 07grv, 49.3pd	1
▲	21	1057482	(10451589- 20000000) Washer, Flat, 0.328b 0.571d 0.063, Ss	1
▲	22	1057476	(10451589- 20000000) Screw, Soc, M8 X 1.25 X 55, Ss	1
	23	15678	(10000000- 20000000) Screw, Hex, M6 X 1.00 X 16, Ss	3
	24	08712	(10000000- 20000000) Nut, Hex, Lock, M6 X 1.00, NI, Ss	3
	25	140946	(10000000- 20000000) Screw, Rnd, Sltd, 06- 32 X 1.00, Nyl	1
	26	130288	(10000000- 20000000) Rectifier, Bridge, Rnd, 12a 1000volt, Ce	1
	27	140534	(10000000- 20000000) Nut, Hex, #06- 32, Nyl	1
	28	1037197	(10000000- 20000000) Brush, Scrub, 89mm Od X 386mm, Nylon (Standard)	1
	28	1037277	(10000000- 20000000) Brush, Scrub, 89mm Od X 386mm, Poly (Optional)	1
	28	1037278	(10000000- 20000000) Brush, Scrub, 89mm Od X 386mm, Grit (Optional)	1
▽	29	9007962	(10000000- 20000000) Door Kit, Brush, W/ Hdwr	1
▲	30	1042312	(10000000- 20000000) Seal, Org, .070 X .875 Id, 020	1
▲	31	1030680	(10000000- 20000000) Hub, Idler, Brush	1
▲	32	01543	(10000000- 20000000) Ring, Retaining, Ext, 0.39d, Basic	1
▲	33	1030682	(10000000- 20000000) Shaft, Idler Plug	1
▲	34	1019349	(10000000- 20000000) Screw, Trs, M6 X 1.00 X 16, Ss, Sems	1

▽ ASSEMBLY

▲ INCLUDED IN ASSEMBLY

SCRUB HEAD GROUP, 120V (S/N 1000000- 10507589)

355058



SCRUB HEAD GROUP, 120V (S/N 1000000- 10507589)

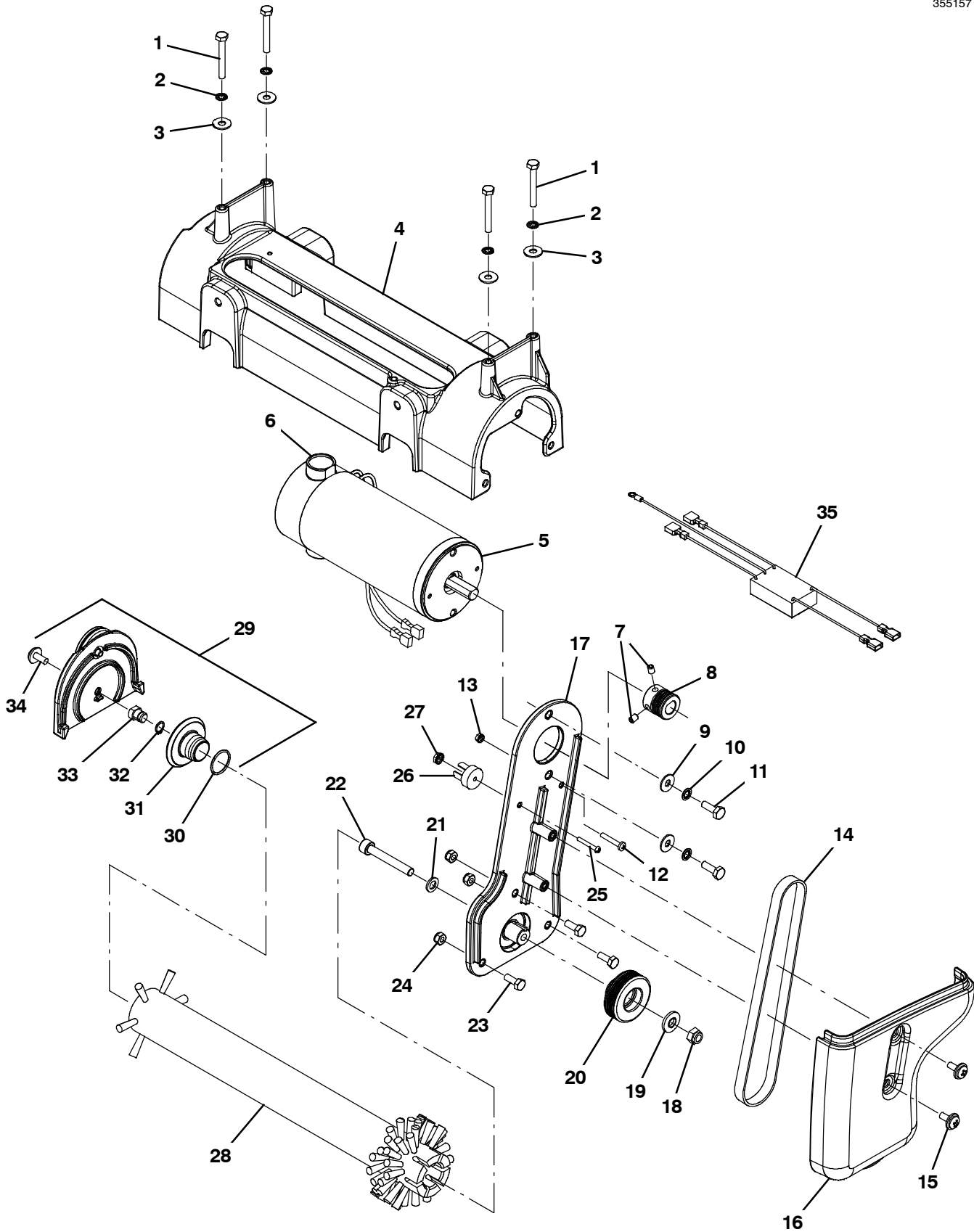
Ref.	Part No.	Serial Number	Description	Qty.
	1	1045325	(10000000- 20000000) Screw, Hex, M6 X 1.00 X 45, Ss	4
	2	07515	(10000000- 20000000) Washer, Lock, Int, 0.25, Ss	4
	3	01684	(10000000- 20000000) Washer, Flat, 0.27b 0.69d .05, Ss	4
	4	1034380	(10000000- 20000000) Housing, Brush, Sngl, 40cm	1
▽	5	9008295	(10000000- 10507589) Motor Kit, Sheaves, 115vdc [T1]	1
▲	6	1045234	(10000000- 20000000) Brush, Carbon (Pk=2) Ref Part 1034457	2
	7	09162	(10000000- 20000000) Screw, Set, Soc, M6 X 1.00 X 8, NI	2
	8	9008249	(10000000- 10507589) Sheave Kit, Cover [T1]	1
	9	01684	(10000000- 20000000) Washer, Flat, 0.27b 0.69d .05, Ss	2
	10	07515	(10000000- 20000000) Washer, Lock, Int, 0.25, Ss	2
	11	34323	(10000000- 20000000) Screw, Hex, .25- 20 X 0.75, NI	2
	12	1033197	(10000000- 20000000) Screw, Pan, Phl, M4 X 0.70 X 25, Ss	1
	13	1007109	(10000000- 20000000) Nut, Hex, Lock, M4 X 0.70, Kep, Ext	1
	14	9004283	(10000000- 20000000) Belt Kit, W/ Installation Tool	1
	15	1019349	(10000000- 20000000) Screw, Trs, M6 X 1.00 X 16, Ss, Sems	2
	16	1064396	(10000000- 20000000) Cover, Belt, BI- Gr (Single Roller)	1
▽	17	9008301	(10000000- 10507589) Bracket, Motor Mount W/ Bearing/Seal Kit	1
▲	18	08713	(10451589- 20000000) Nut, Hex, Lock, M8 X 1.25, NI, Ss	1
▲	19	41186	(10000000- 20000000) Washer, Flat, Belleville, .31	1
▲	20	9008249	(10000000- 10507589) Sheave Kit, Cover [T1]	1
▲	21	1057482	(10451589- 20000000) Washer, Flat, 0.328b 0.571d 0.063, Ss	1
▲	22	1057476	(10451589- 20000000) Screw, Soc, M8 X 1.25 X 55, Ss	1
	23	15678	(10000000- 20000000) Screw, Hex, M6 X 1.00 X 16, Ss	3
	24	08712	(10000000- 20000000) Nut, Hex, Lock, M6 X 1.00, NI, Ss	3
	25	140946	(10000000- 20000000) Screw, Rnd, Sltd, 06- 32 X 1.00, Nyl	1
	26	130288	(10000000- 20000000) Rectifier, Bridge, Rnd, 12a 1000volt, Ce	1
	27	140534	(10000000- 20000000) Nut, Hex, #06- 32, Nyl	1
	28	1037197	(10000000- 20000000) Brush, Scrub, 89mm Od X 386mm, Nylon (Standard)	1
	28	1037277	(10000000- 20000000) Brush, Scrub, 89mm Od X 386mm, Poly (Optional)	1
	28	1037278	(10000000- 20000000) Brush, Scrub, 89mm Od X 386mm, Grit (Optional)	1
▽	29	9007962	(10000000- 20000000) Door Kit, Brush, W/ Hdwr	1
▲	30	1042312	(10000000- 20000000) Seal, Org, .070 X .875 Id, 020	1
▲	31	1030680	(10000000- 20000000) Hub, Idler, Brush	1
▲	32	01543	(10000000- 20000000) Ring, Retaining, Ext, 0.39d, Basic	1
▲	33	1030682	(10000000- 20000000) Shaft, Idler Plug	1
▲	34	1019349	(10000000- 20000000) Screw, Trs, M6 X 1.00 X 16, Ss, Sems	1

▽ ASSEMBLY

▲ INCLUDED IN ASSEMBLY

SCRUB HEAD GROUP, 230V (S/N 10507590-)

355157



SCRUB HEAD GROUP, 230V (S/N 10507590-)

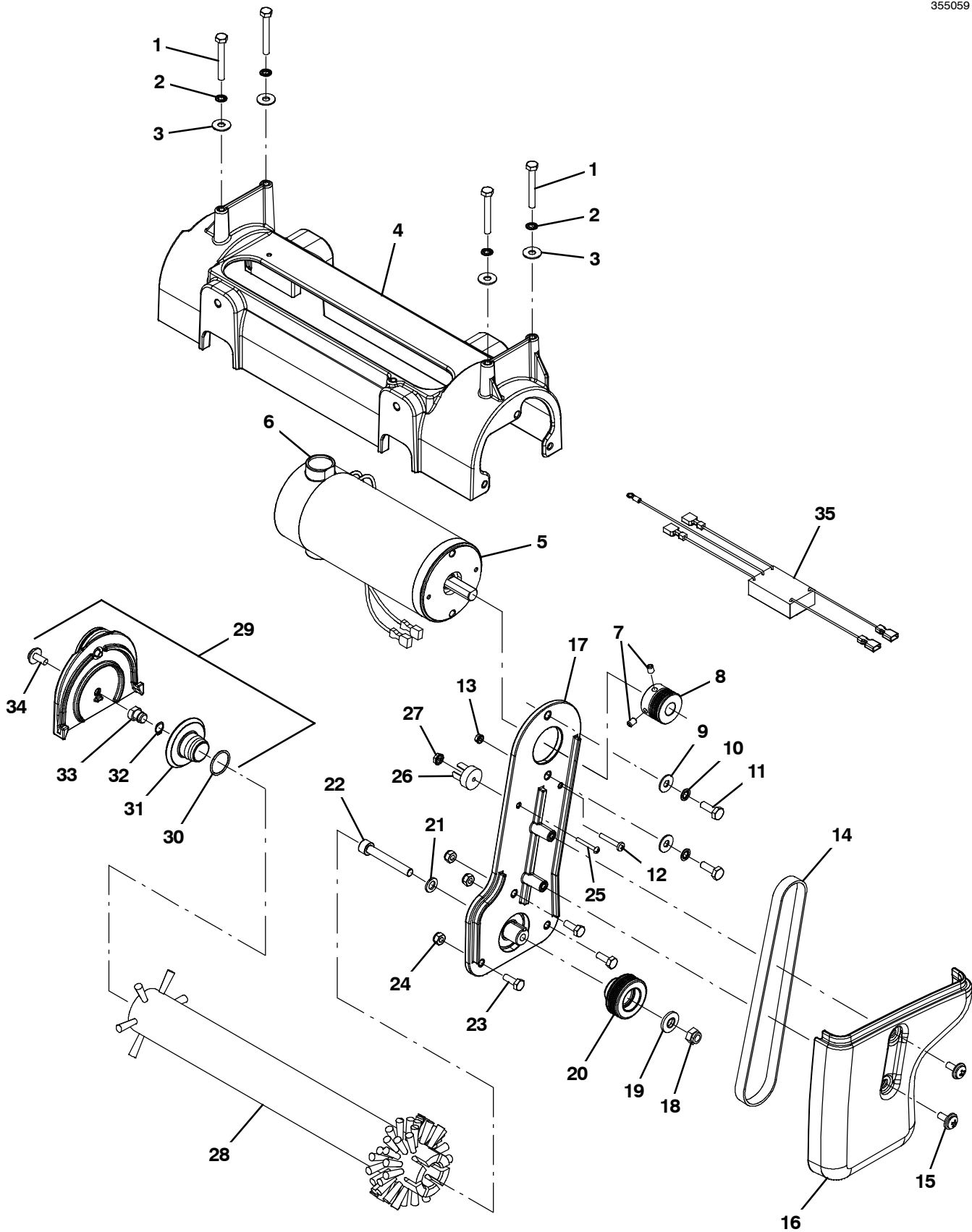
Ref.	Part No.	Serial Number	Description	Qty.	
1	1045325	(10000000- 20000000)	Screw, Hex, M6 X 1.00 X 45, Ss	4	
2	07515	(10000000- 20000000)	Washer, Lock, Int, 0.25, Ss	4	
3	01684	(10000000- 20000000)	Washer, Flat, 0.27b 0.69d .05, Ss	4	
4	1034380	(10000000- 20000000)	Housing, Brush, Sngl, 40cm	1	
▽	5	1072720	(10656884- 20000000)	Motor, Ele, 230vdc 2200rpm .33hp	1
▲	6	1067897	(10656884- 20000000)	Vr, Brush Kit, Motor	2
▽	5	1036630	(10507590- 10656883)	Motor, .25hp, 230vdc, 1.3 A, 2400 Rpm (Replaced by 1072720)	1
▲	6	1045464	(10000000- 10656883)	Brush, Carbon [1036630, 1pick=1set Of 2]	2
	7	09162	(10000000- 20000000)	Screw, Set, Soc, M6 X 1.00 X 8, NI	2
	8	1063530	(10507590- 20000000)	Sheave, 07grv, 25.8pd [Ph]	1
	9	01684	(10000000- 20000000)	Washer, Flat, 0.27b 0.69d .05, Ss	2
	10	07515	(10000000- 20000000)	Washer, Lock, Int, 0.25, Ss	2
	11	34323	(10000000- 20000000)	Screw, Hex, .25- 20 X 0.75, NI	2
	12	1033197	(10000000- 20000000)	Screw, Pan, Phl, M4 X 0.70 X 25, Ss	1
	13	1007109	(10000000- 20000000)	Nut, Hex, Lock, M4 X 0.70, Kep, Ext	1
	14	9004283	(10000000- 20000000)	Belt Kit, W/ Installation Tool	1
	15	1019349	(10000000- 20000000)	Screw, Trs, M6 X 1.00 X 16, Ss, Sems	2
	16	1064396	(10000000- 20000000)	Cover, Belt, BI- Gr (Single Roller)	1
▽	17	9008296	(10507590- 20000000)	Bracket, Motor Mount W/ Bearing/Seal Kit	1
▲	18	08713	(10451589- 20000000)	Nut, Hex, Lock, M8 X 1.25, NI, Ss	1
▲	19	41186	(10000000- 20000000)	Washer, Flat, Belleville, .31	1
▲	20	1030625	(10507590- 20000000)	Sheave, 07grv, 49.3pd	1
▲	21	1057482	(10451589- 20000000)	Washer, Flat, 0.328b 0.571d 0.063, Ss	1
▲	22	1057476	(10451589- 20000000)	Screw, Soc, M8 X 1.25 X 55, Ss	1
	23	15678	(10000000- 20000000)	Screw, Hex, M6 X 1.00 X 16, Ss	3
	24	08712	(10000000- 20000000)	Nut, Hex, Lock, M6 X 1.00, NI, Ss	3
	25	140946	(10000000- 20000000)	Screw, Rnd, Sltd, 06- 32 X 1.00, Nyl	1
	26	130288	(10000000- 20000000)	Rectifier, Bridge, Rnd, 12a 1000volt, Ce	1
	27	140534	(10000000- 20000000)	Nut, Hex, #06- 32, Nyl	1
	28	1037197	(10000000- 20000000)	Brush, Scrub, 89mm Od X 386mm, Nylon (Standard)	1
	28	1037277	(10000000- 20000000)	Brush, Scrub, 89mm Od X 386mm, Poly (Optional)	1
	28	1037278	(10000000- 20000000)	Brush, Scrub, 89mm Od X 386mm, Grit (Optional)	1
▽	29	9007962	(10000000- 20000000)	Door Kit, Brush, W/ Hdwr	1
▲	30	1042312	(10000000- 20000000)	Seal, Org, .070 X .875 Id, 020	1
▲	31	1030680	(10000000- 20000000)	Hub, Idler, Brush	1
▲	32	01543	(10000000- 20000000)	Ring, Retaining, Ext, 0.39d, Basic	1
▲	33	1030682	(10000000- 20000000)	Shaft, Idler Plug	1
▲	34	1019349	(10000000- 20000000)	Screw, Trs, M6 X 1.00 X 16, Ss, Sems	1
	35	1036953	(10000000- 20000000)	Filter, Brush, 270 Vdc, 3a	1

▽ ASSEMBLY

▲ INCLUDED IN ASSEMBLY

SCRUB HEAD GROUP, 230V (S/N 1000000- 10507589)

355059



SCRUB HEAD GROUP, 230V (S/N 1000000- 10507589)

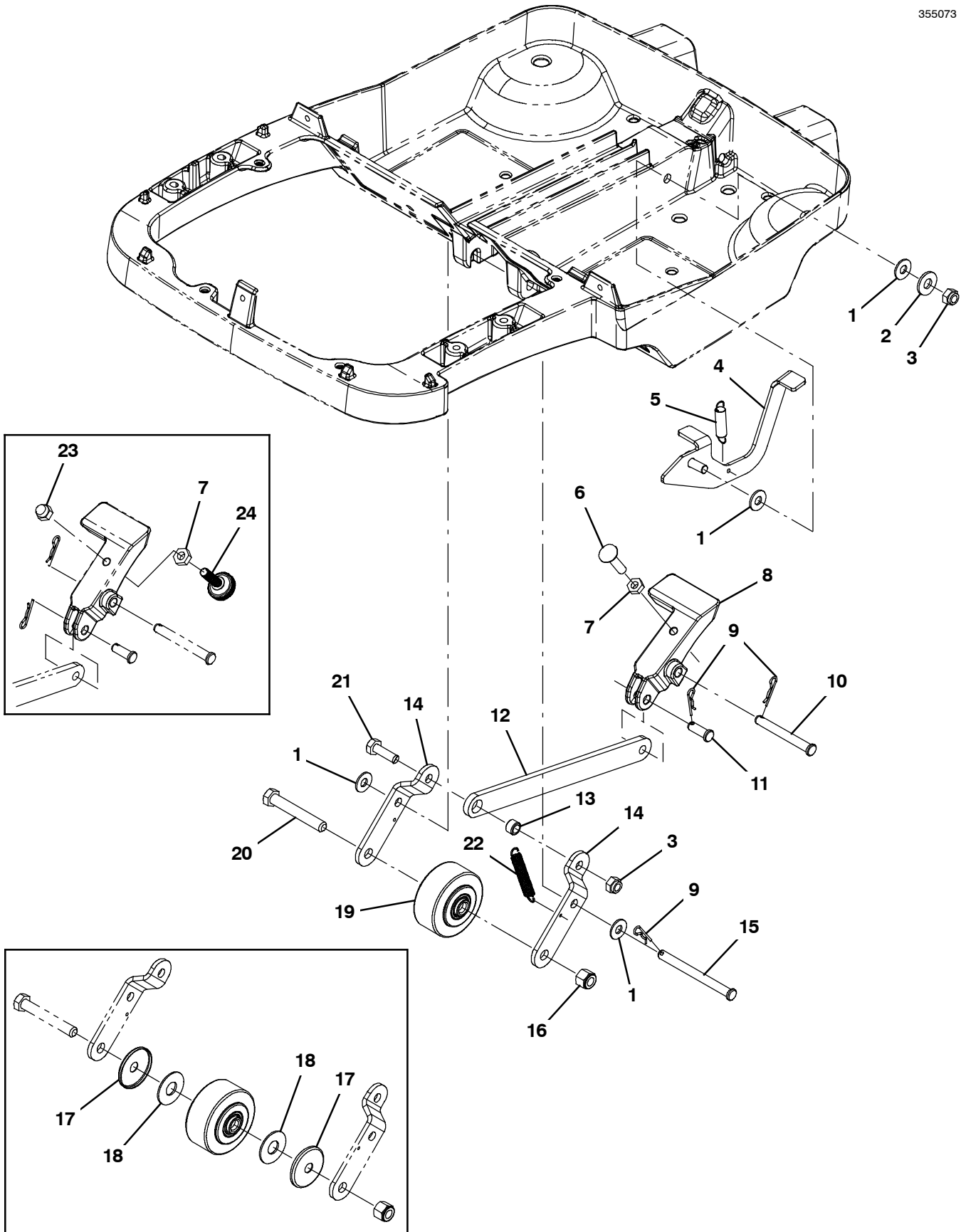
Ref.	Part No.	Serial Number	Description	Qty.	
1	1045325	(10000000- 20000000)	Screw, Hex, M6 X 1.00 X 45, Ss	4	
2	07515	(10000000- 20000000)	Washer, Lock, Int, 0.25, Ss	4	
3	01684	(10000000- 20000000)	Washer, Flat, 0.27b 0.69d .05, Ss	4	
4	1034380	(10000000- 20000000)	Housing, Brush, Sngl, 40cm	1	
▽	5	9008299	(10000000- 10507589)	Motor Kit, Sheaves, 230vdc [T1]	1
▲	6	1045234	(10000000- 20000000)	Brush, Carbon (Pk=2) Ref Part 1034457	2
	7	09162	(10000000- 20000000)	Screw, Set, Soc, M6 X 1.00 X 8, NI	2
	8	9008249	(10000000- 10507589)	Sheave Kit, Cover [T1]	1
	9	01684	(10000000- 20000000)	Washer, Flat, 0.27b 0.69d .05, Ss	2
	10	07515	(10000000- 20000000)	Washer, Lock, Int, 0.25, Ss	2
	11	34323	(10000000- 20000000)	Screw, Hex, .25- 20 X 0.75, NI	2
	12	1033197	(10000000- 20000000)	Screw, Pan, Phl, M4 X 0.70 X 25, Ss	1
	13	1007109	(10000000- 20000000)	Nut, Hex, Lock, M4 X 0.70, Kep, Ext	1
	14	9004283	(10000000- 20000000)	Belt Kit, W/ Installation Tool	1
	15	1019349	(10000000- 20000000)	Screw, Trs, M6 X 1.00 X 16, Ss, Sems	2
	16	1064396	(10000000- 20000000)	Cover, Belt, BI- Gr (Single Roller)	1
▽	17	9008301	(10000000- 10507589)	Bracket Kit, Mount, Motor, W/ Brg [T1]	1
▲	18	08713	(10451589- 20000000)	Nut, Hex, Lock, M8 X 1.25, NI, Ss	1
▲	19	41186	(10000000- 20000000)	Washer, Flat, Belleville, .31	1
▲	20	9008249	(10000000- 10507589)	Sheave Kit, Cover [T1]	1
▲	21	1057482	(10451589- 20000000)	Washer, Flat, 0.328b 0.571d 0.063, Ss	1
▲	22	1057476	(10451589- 20000000)	Screw, Soc, M8 X 1.25 X 55, Ss	1
	23	15678	(10000000- 20000000)	Screw, Hex, M6 X 1.00 X 16, Ss	3
	24	08712	(10000000- 20000000)	Nut, Hex, Lock, M6 X 1.00, NI, Ss	3
	25	140946	(10000000- 20000000)	Screw, Rnd, Sltd, 06- 32 X 1.00, Nyl	1
	26	130288	(10000000- 20000000)	Rectifier, Bridge, Rnd, 12a 1000volt, Ce	1
	27	140534	(10000000- 20000000)	Nut, Hex, #06- 32, Nyl	1
	28	1037197	(10000000- 20000000)	Brush, Scrub, 89mm Od X 386mm, Nylon (Standard)	1
	28	1037277	(10000000- 20000000)	Brush, Scrub, 89mm Od X 386mm, Poly (Optional)	1
	28	1037278	(10000000- 20000000)	Brush, Scrub, 89mm Od X 386mm, Grit (Optional)	1
▽	29	9007962	(10000000- 20000000)	Door Kit, Brush, W/ Hdwr	1
▲	30	1042312	(10000000- 20000000)	Seal, Org, .070 X .875 Id, 020	1
▲	31	1030680	(10000000- 20000000)	Hub, Idler, Brush	1
▲	32	01543	(10000000- 20000000)	Ring, Retaining, Ext, 0.39d, Basic	1
▲	33	1030682	(10000000- 20000000)	Shaft, Idler Plug	1
▲	34	1019349	(10000000- 20000000)	Screw, Trs, M6 X 1.00 X 16, Ss, Sems	1
	35	1036953	(10000000- 20000000)	Filter, Brush, 270 Vdc, 3a	1

▽ ASSEMBLY

▲ INCLUDED IN ASSEMBLY

SCRUB HEAD LIFT GROUP

355073

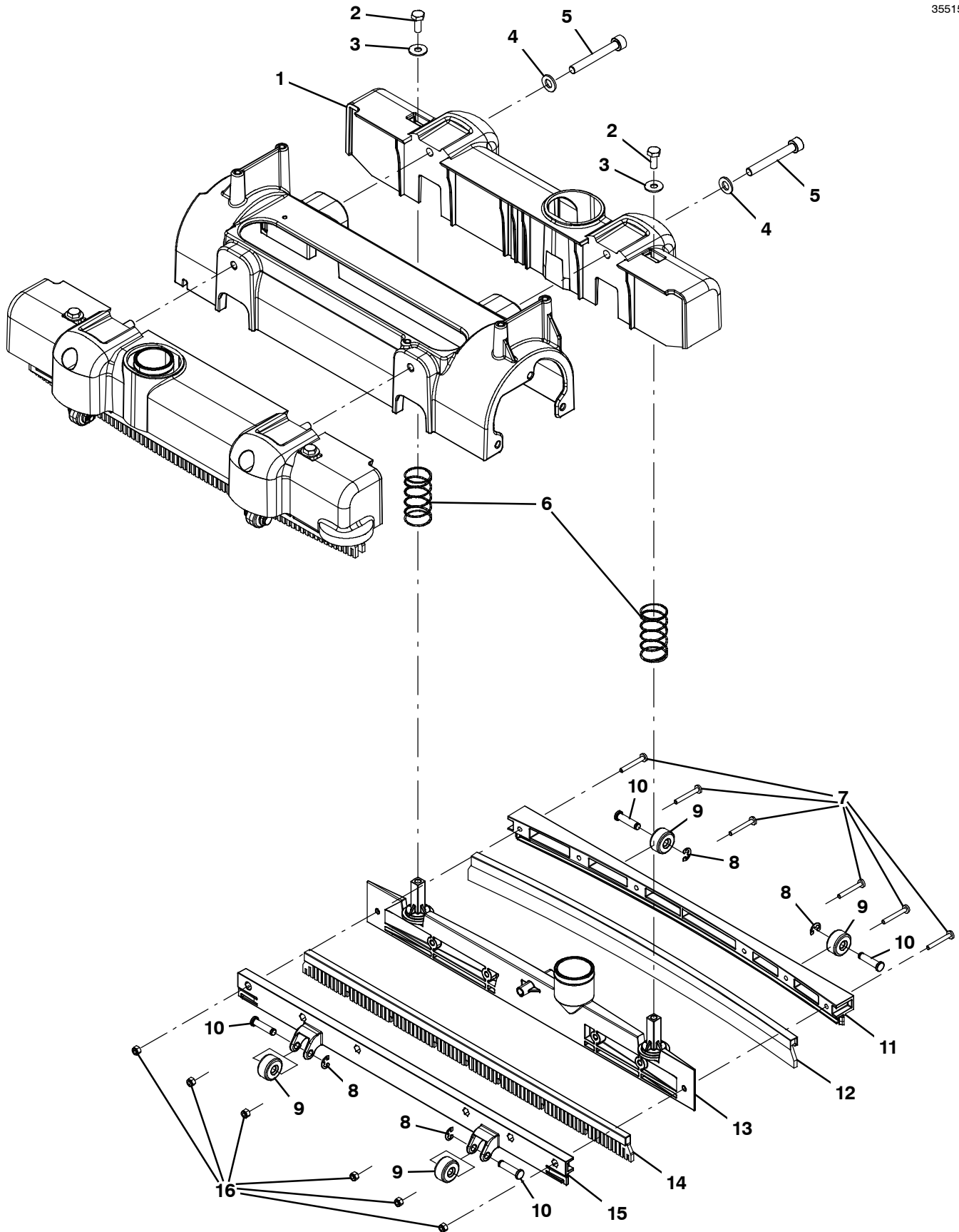


SCRUB HEAD LIFT GROUP

Ref.	Part No.	Serial Number	Description	Qty.
1	630446	(10000000- 20000000)	Washer, Flat, 0.31b 0.75d .06, Nyl	3
2	140027	(10000000- 20000000)	Washer, Flat, 0.35b 0.75d .04, Ss	1
3	08713	(10000000- 20000000)	Nut, Hex, Lock, M8 X 1.25, NI, Ss	2
4	1034420	(10000000- 20000000)	Lever, Pedal, Wheel Release	1
5	605812	(10000000- 20000000)	Spring, Extn	1
6	1053751	(10467313- 20000000)	Bolt, Carriage, .31- 18 X 1.25, Ss	1
7	140548	(10000000- 20000000)	Nut, Hex, Jam, Fin .31, Ss	1
8	1034376	(10000000- 20000000)	Pedal, Foot	1
9	08085	(10000000- 20000000)	Pin, Cotter, Hair, 0.31d .058 Wir	3
10	71274	(10000000- 20000000)	Pin, Clevis, 0.31d X 2.62l	1
11	386987	(10000000- 20000000)	Pin, Clevis, 0.31d X 0.88l	1
12	1034368	(10000000- 20000000)	Arm, Linkage, Transport	1
13	222516	(10000000- 20000000)	Sleeve, P/M, 0.32b 0.50d 0.3l [430ss]	1
14	1034371	(10000000- 20000000)	Bracket, Transport, Wheel	2
15	1034513	(10000000- 20000000)	Pin, Clevis, 0.31d X 3.50l	1
16	59156	(10000000- 20000000)	Nut, Hex, Lock, .38- 16, NI, Ss	1
17	1034351	(10000000- 20000000)	Guard, Thread, Wheel (NLA - Replaced By 1034351)	2
18	140045	(10000000- 20000000)	Washer, Flat, 0.51b 1.25d .06, Ss (NLA - Replaced By 1034351)	2
19	1034355	(10000000- 20000000)	Wheel, 02.5d 1.25w 0.38b, Rbr, Gray	1
20	27992	(10000000- 20000000)	Screw, Hex, .38- 16 X 2.50, G5	1
21	09010	(10000000- 20000000)	Screw, Hex, M8 X 1.25 X 25, Ss	1
22	140402	(10000000- 20000000)	Spring, Extn, 0.375od 0.045wir 01.8l, Mw	1
23	41128	(10000000- 10467312)	Nut, Low Crown, .31- 18	1
24	240191	(10000000- 10467312)	Knob, Rnd, 1.00d 0.41l, .31- 18x2.0l Stud	1

SQUEEGEE GROUP, FRONT AND REAR

355158



SQUEEGEE GROUP, FRONT AND REAR

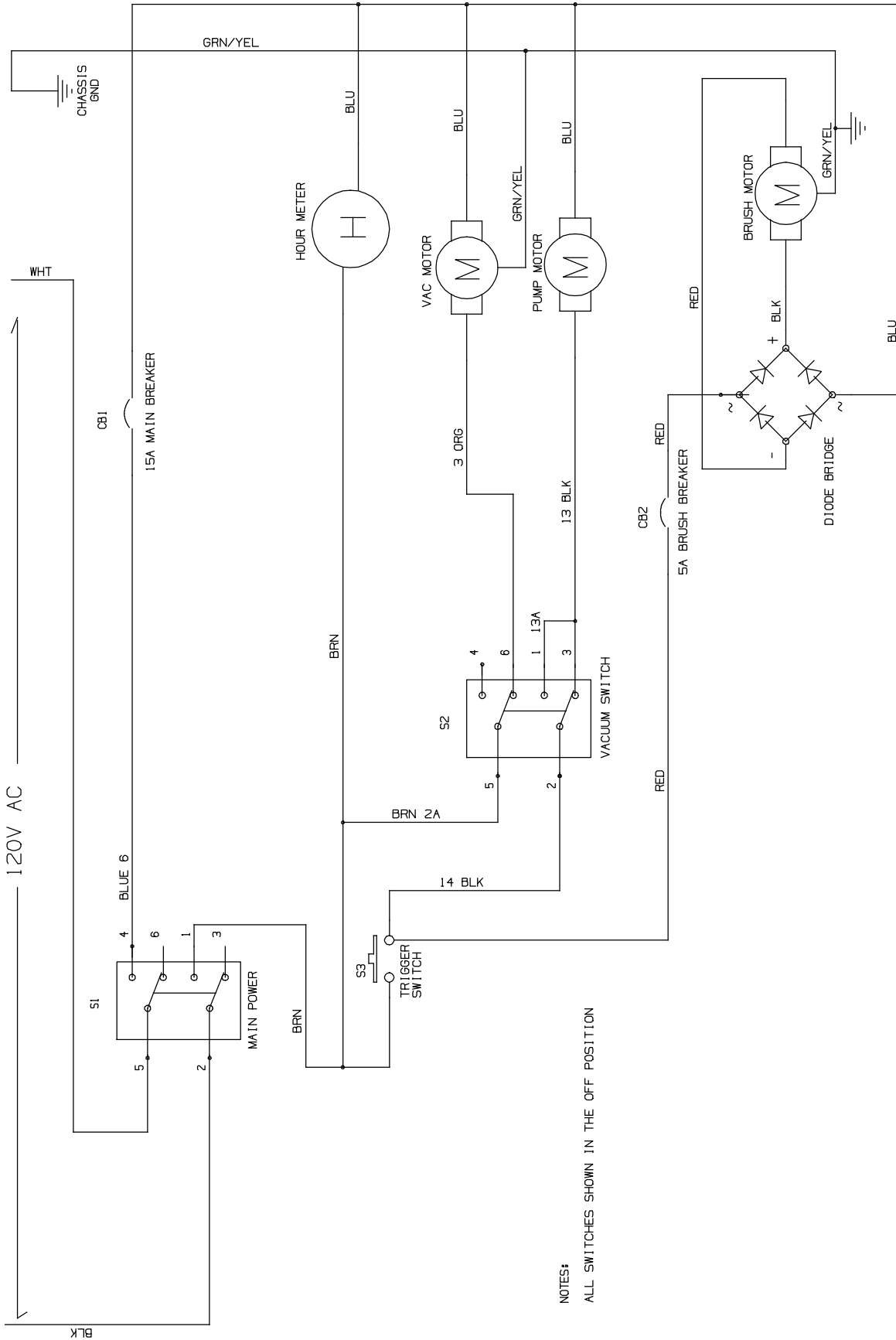
Ref.	Part No.	Serial Number	Description	Qty.
1	1034109	(10000000- 20000000)	Housing, Squeegee	2
2	01697	(10000000- 20000000)	Screw, Hex, .25- 20 X 0.62, Ss	4
3	01684	(10000000- 20000000)	Washer, Flat, 0.27b 0.69d .05, Ss	4
4	09294	(10000000- 20000000)	Screw, Soc, M8 X 1.25 X 60, 12.9	4
5	39349	(10000000- 20000000)	Washer, Flat, 0.31, Sae	4
6	1030427	(10000000- 20000000)	Spring, Cmpr, 0.92id .05wir 02.0l	4
7	33931	(10000000- 20000000)	Screw, Pan, Phl, M4 X 0.70 X 30, Ss	12
▲▽	9008581	(10000000- 20000000)	Wheel Kit, Sqge, W/ Hdwr	1
▲▲	8 1035647	(10000000- 20000000)	Ring, Retaining, Ext, 0.25", [E- Ring]	8
▲▲	9 1030852	(10000000- 20000000)	Roller, Squeegee	8
▲▲	10 1065608	(10000000- 20000000)	Pin, Grv, 6.22d, 23.0l, Ss	8
	11 1036706	(10000000- 20000000)	Retainer, Sqge, Outer, Acetal, Ig	2
	12 1050943	(10000000- 20000000)	Blade Assy, Sqge, Outer, Ure	2
	13 1036676	(10000000- 20000000)	Frame, Squeegee	2
	14 1057241	(10000000- 20000000)	Blade Assy, Sqge, Inner, Ure	2
	15 1057243	(10000000- 20000000)	Retainer, Sqge, Inner, Acetal, Blk	2
	16 33932	(10000000- 20000000)	Nut, Hex, Lock, M4 X 0.70, NI, Ss	12

▽ ASSEMBLY

▲ INCLUDED IN ASSEMBLY

ELECTRICAL DIAGRAM, 120V

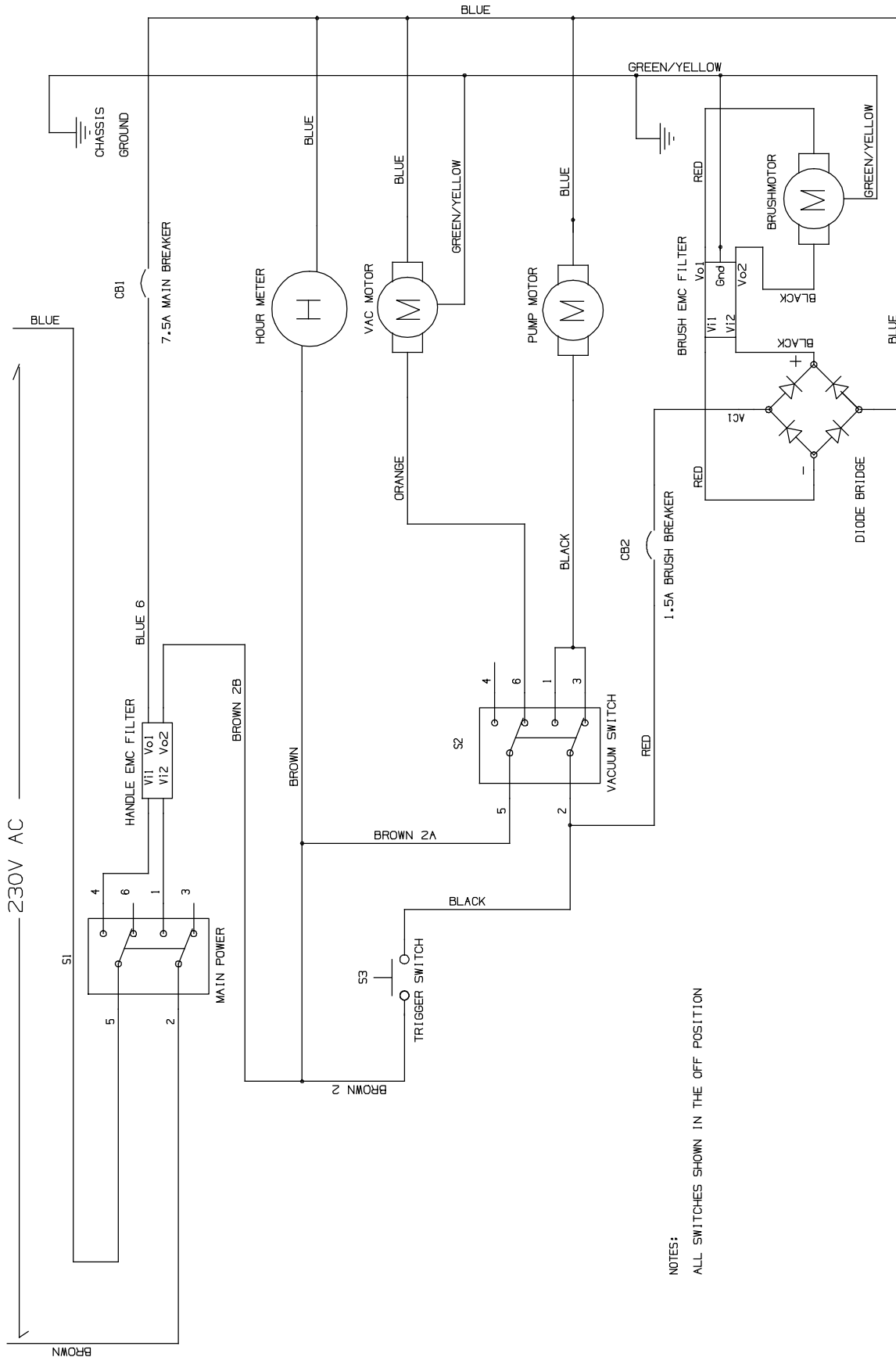
1046178



NOTES:
ALL SWITCHES SHOWN IN THE OFF POSITION

ELECTRICAL DIAGRAM, 230V

1046179



NOTES:
ALL SWITCHES SHOWN IN THE OFF POSITION