



Electronic Service Manuals

This electronic document is provided as a service to our customers. We do not create the contents of the information contained in this document. Should you have detailed questions pertaining to the information contained in this document, you may contact Michco, or the manufacturer which provided the original information in this electronic deliverable. Michco's only part in this electronic deliverable was the electronic assembly process. By providing this manual on line we are not guaranteeing parts availability.

You may contact Michco through the following methods:

Phone (517) 484-9312 or (800) 331-3339

2011 N. High St. -- Lansing, Michigan -- 48906

Fax: (517) 484-9836

Email: CustServe@Michco.com

Web site: www.Michco.Com

Parts Web site: www.FloorMachineParts.Com

Order Parts on Line at:

www.FloorMachineParts.Com

Directly to Parts & Service:

By Email: **Shop@Michco.com**

By Fax: (517) 702-2041

By Voice: Use numbers above.

Serving the Cleaning Industry Since 1922

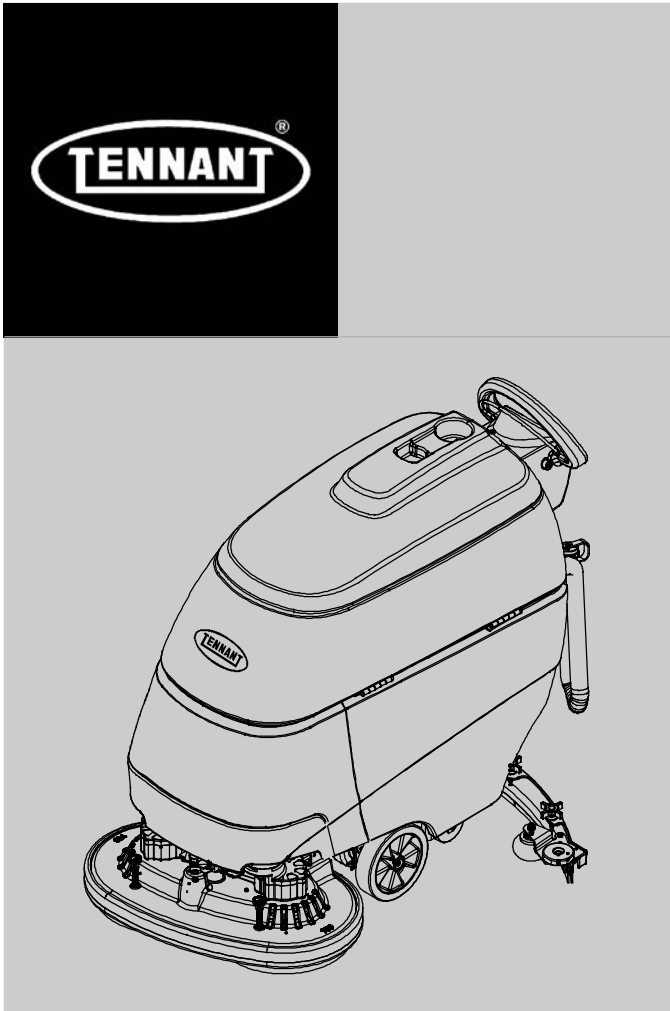
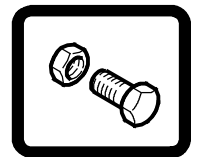
Notice: All copyrighted material remains property of original owners, all trademarks are property of respective owners. Manuals are subject to Manufacturer's reproduction limitations. Originals or reproductions were provided by manufacturers through a request. We make no warranty as to the correctness of information provided in this document and you assume all risk. By placing these manuals on line we are not declaring our corporation to be an manufacturer authorized dealer or provider, please check our web site for authorized manufacturers we represent.



T5

Automatic Scrubber

Parts Manual



The Safe Scrubbing Alternative[®]



An ORBIO[™] Technology

Hygenic[®] Fully Cleanable Tanks

QA Controls[™]

TennantTrue[®] Parts



For the latest Parts manuals and other language Operator manuals, visit:

www.tennantco.com/manuals

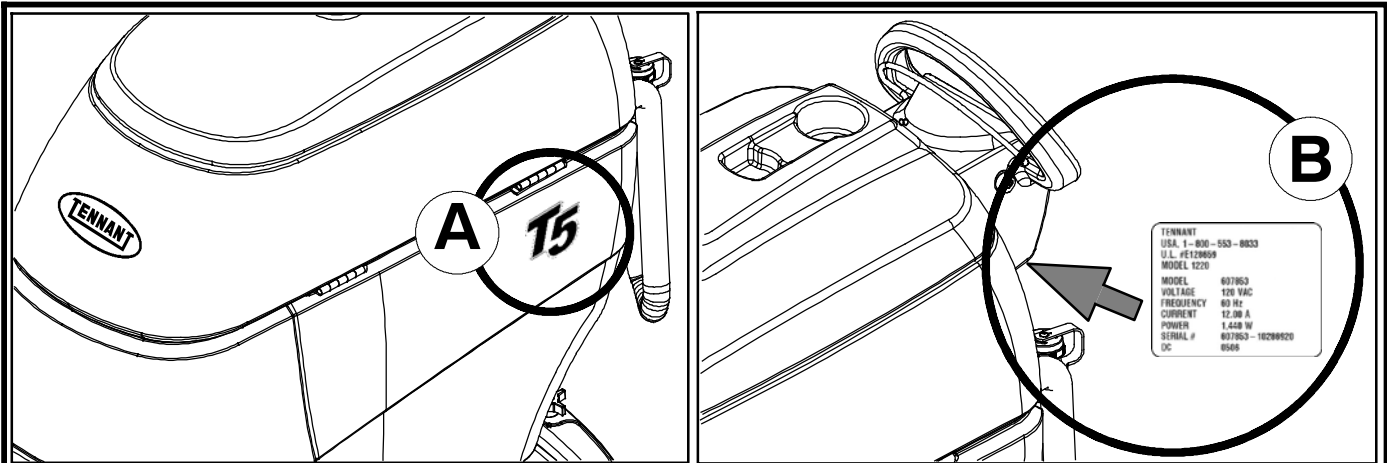
North America / International

www.tennantco.com

9002329

Rev. 12 (06-2014)





Ref	Part No.	Serial Number	Description	Qty.
1	82681	(000000-)	Bracket Wldt, Lpg Mount	1
▽ 2	63810	(000000-)	Latch Assy, Lpg Tank Mtg, W/Nut	4
▲ 3	51839	(000000-)	Nut Adjustable, Lpg Tank Mtg	2
4	49263	(000000-)	Tie, Cable	3
(D)	82556	(000000- 001039)	Bracket, Vaporizer	1
	54930	(000000-)	Vaporizer, LPG	1

HOW TO ORDER PARTS - See diagram above

Only use TENNANT Company supplied or equivalent parts. Parts and supplies may be ordered online, by phone, by fax or by mail.

Follow the steps below to ensure prompt delivery.

1. (A) Identify the machine model.
2. (B) Identify the machine serial number from the data label.
3. (C) Ensure the proper serial number is used from the parts list.
4. Identify the part number and quantity.
Do not order by page or reference numbers.
5. Provide your name, company name, customer ID number, billing and shipping address, phone number and purchase order number.
6. Provide detail shipping instructions.

- (D) ▽ - identifies an assembly
▲ - identifies parts included in assembly

Please fill out at time of installation for future reference.

Model No. - _____
 Serial No. - _____
 Machine Options - _____
 Sales Rep. - _____
 Sales Rep. phone no. - _____
 Customer ID Number - _____
 Installation Date - _____

Tennant Company

PO Box 1452
 Minneapolis, MN 55440
 Phone: (800) 553-8033 or (763) 513-2850
 www.tennantco.com

Specifications and parts are subject to change without notice.

Copyright © 2006 - 2014 TENNANT Company, Printed in U.S.A.

<p>GENERAL RECOMMENDED MAINTENANCE ITEMS 5</p> <p>STANDARD PARTS</p> <hr style="border: 1px solid black;"/> <p>REPLACEMENT BRUSHES 12</p> <p>PAD DRIVER GROUP 14</p> <p>PAD DRIVER GROUP (JAPAN) 16</p> <p>RECOVERY TANK GROUP 18</p> <p>RECOVERY TANK GROUP (JAPAN) 20</p> <p>VACUUM MOTOR GROUP 22</p> <p>SOLUTION TANK GROUP 24</p> <p>SIDE PANEL GROUP 26</p> <p>CONTROL CONSOLE GROUP 28</p> <p>COMPONENT PANEL GROUP (S/N 10632988-) 32</p> <p>COMPONENT PANEL GROUP (S/N 00000000- 10632987) 34</p> <p>DRIVE GROUP 36</p> <p>SCRUB HEAD GROUP, DISK 24 in / 600 mm ... 38</p> <p>SCRUB HEAD GROUP, DISK 28 in / 700 mm ... 42</p> <p>SCRUB HEAD GROUP, DISK 32 in / 800 mm ... 46</p> <p>SCRUB HEAD GROUP, CYLINDRICAL 26 in / 650 mm 50</p> <p>SCRUB HEAD GROUP, CYLINDRICAL 32 in / 800 mm 54</p> <p>SCRUBHEAD LIFT GROUP 58</p> <p>SOLUTION GROUP, FaST MODEL 60</p> <p>9008847 FAST INJECTOR ASSEMBLY BREAKDOWN (S/N 10538043-), 600 mm DISK & 650 mm CYLINDRICAL MODELS 64</p> <p>9003907 FAST INJECTOR ASSEMBLY BREAKDOWN (S/N 10348538- 10538042), 600 mm DISK & 650 mm CYLINDRICAL MODELS 65</p> <p>9003810 FAST INJECTOR ASSEMBLY BREAKDOWN (S/N 00000000- 10348537), 600 mm DISK & 650 mm CYLINDRICAL MODELS 66</p>	<p>9008887 FAST INJECTOR ASSEMBLY BREAKDOWN (S/N 10582617-), 700 mm / 800 mm DISK & 800 mm CYLINDRICAL MODELS 67</p> <p>9003908 FAST INJECTOR ASSEMBLY BREAKDOWN (S/N 10347532- 10582616) 700 mm / 800 mm DISK & 800 mm CYLINDRICAL MODELS 68</p> <p>9003812 FAST INJECTOR ASSEMBLY BREAKDOWN (S/N 00000000- 10347531) 700 mm / 800 mm DISK & 800 mm CYLINDRICAL MODELS 69</p> <p>SOLUTION GROUP, ec-H2O MODEL 70</p> <p>ec-H2O MODULE ASSEMBLY BREAKDOWN, 9007970 (S/N 10448305-) 72</p> <p>ec-H2O MODULE ASSEMBLY BREAKDOWN, 9006161 (S/N 10378380- 10448304) 74</p> <p>1042495 ec-H2O SOLUTION PUMP BREAKDOWN . 76</p> <p>SOLUTION GROUP, STANDARD MODEL 77</p> <p>SQUEEGEE LIFT GROUP 78</p> <p>SQUEEGEE GROUP, 20 in / 500 mm 80</p> <p>SQUEEGEE GROUP, 24 in / 600 mm 82</p> <p>SQUEEGEE GROUP, 26 in / 650 mm & 28 in / 700 mm 84</p> <p>SQUEEGEE GROUP, 32 in / 800 mm 86</p> <p>BATTERY GROUP, MAINTENANCE FREE 220 Ah 88</p> <p>BATTERY GROUP, LEAD-ACID 235 Ah 89</p> <p>BATTERY GROUP, MAINTENANCE FREE 160 Ah (JAPAN) 90</p> <p>BATTERY GROUP, LEAD ACID 180 Ah (JAPAN) 91</p>
--	---

TABLE OF CONTENTS

STANDARD PARTS - Cont'd

ELECTRICAL DIAGRAM, STANDARD & FaST MODEL (S/N 10632988-)	92
ELECTRICAL DIAGRAM, STANDARD & FaST MODEL (S/N 00000000- 10632987)	94
ELECTRICAL DIAGRAM, ec-H2O MODEL (S/N 10632988-)	96
ELECTRICAL DIAGRAM, ec-H2O MODEL (S/N 00000000- 10632987)	98
WIRE HARNESS GROUP, MAIN (S/N 10632988-)	100
WIRE HARNESS GROUP, MAIN (S/N 00000000- 10632987)	102
WIRE HARNESS GROUP, MAIN AUSTRALIA (S/N 10632988-)	104
WIRE HARNESS GROUP, MAIN AUSTRALIA (S/N 00000000- 10632987)	106
WIRE HARNESS GROUP, ec- H2O OPTION (S/N 10632988-)	108
WIRE HARNESS GROUP, ec- H2O OPTION (S/N 10446231- 10632987)	110
WIRE HARNESS GROUP, FAST OPTION	114
WIRE HARNESS GROUP, BRAKE	115
WIRE HARNESS GROUP, CHASSIS	116

OPTIONS

OFF-BOARD CHARGER GROUP	118
ON-BOARD CHARGER GROUP	120
BUMPER WHEEL KIT	122
WAND PUMP KIT	124
DELUXE POWER WAND GROUP	126
POWER WAND HOSE GROUP	128
OPTIONAL WHEEL KIT	129
HYDROLINK® BATTERY WATERING SYSTEM KIT	130

RECOMMENDED MAINTENANCE ITEMS

GENERAL RECOMMENDED MAINTENANCE ITEMS

	Part No.	Serial Number	Description	Qty.
	1042937	(00000000-) Gasket, Snap- In, Dual- Durometer [T5]	1
▽	1043538	(00000000-) Hose Assy, Drain, 1.50id X 29.5l, Blk	1
▲▽	1008639	(00000000-) Cap, Drain Assy	1
▲▲	1019563	(00000000-) Strap, Cap, Drain	1
▲▲	1008637	(00000000-) Seal, Org, 1.48id 1.76od	1
	1013628	(00000000-) Gasket, Mtg, Float, .125th, Neo, Adh	1
	630052	(00000000-) Float, Shut- Off, (2)Ball, 1.75d	1
▽	9002562	(00000000-) Motor Kit, Vacuum [T5]	1
▲	1073334	(00000000-) Brush, Carbon, Motor, Ele [1pick=1pkg] (1Pkg = 2 Brushes)	1
▲	100038	(00000000-) Gasket, Vacuum Mtr 5.7 Epdm W/Psa	1
	86379	(00000000-) Fuse, 100a 125volt 0.88 X 3.2l	1
	1049048	(00000000-) Caster, Swivel, 4.0d 1.4w, 4hole [400lb]	2
	614166	(00000000-) Brush Kit, Carbon [Qty 4] (For Transaxle Motor 1031723)	1
	1031775	(00000000-) Brush, Brush- Motor, Afmkt (For Disk Scrub Head Motor 1023067)	1
	1035888	(10338658-) Belt, Drive, 6Grv, 508l X 14w, [6Pj]	2
	377500	(00000000- 10338657) Belt, Synchronous, 500l, 15mm [05p, Plychn]	2
	1022401	(00000000-) Gasket, Cover, Belt	2
	1049739	(10419662-) Brush Kit, Carbon, Motor, Replmt [4pcs]	2
	190152	(00000000- 10419661) Brush, Carbon [Pk=4]	2
	1025272	(00000000-) Skirt, Tray, Debris, 65cm	1
	1025273	(00000000-) Skirt, Tray, Debris, 80cm	1
	1017015	(00000000-) Detergent, Pkg, 2 Liter, Sgl [365]	1
	1017022	(00000000-) Detergent, Pkg, 2 Liter, Sgl [665]	1
	1008675	(00000000-) Gasket, Edge, Foam, 24.00l [Fr]	1
	1024105	(00000000-) Cable, Lift, Sqge	1
	578074000	(00000000-) Blade, Sqge, 300.8mml, Wand (Optional Power Wand)	2
▽	9004459	(00000000-) Wheel Kit, Bumper, Retrofit [T5]	1
▲	614317	(00000000-) Wheel, 04.0d 1.00w 0.38b, Rbr, Gray	2
▲	1014918	(00000000-) Wheel, 03.0d 0.88w 0.31b, W/ Bshg, Rbr	2
▽	9004903	(00000000-) Wheel Kit, Pneumatic, Ci [T5 T5e Ss5]	1
▲	1059452	(00000000-) Tire Assy, Pneu, Grey, 2.8/2.5- 04 2.75bc	2
▽	9004904	(00000000-) Wheel Kit, Foam Filled, Ci [T5 T5e Ss5]	1
▲	1068472	(00000000-) Tire Assy, Foam, Hi- Dns, Grey, 2.8/2.5- 04	2

▽ ASSEMBLY

▲ INCLUDED IN ASSEMBLY

RECOMMENDED MAINTENANCE ITEMS

GENERAL RECOMMENDED MAINTENANCE ITEMS (JAPAN)

Part No.	Serial Number	Description	Qty.
21852	(00000000-) Bracket, Retainer, Spring	2
21853	(00000000-) Spring, Wir, 0.16d, Brush Retaining (12" Driver Assy)	1
1028905	(00000000-) Spring, Wir, 0.16d, Brush Retaining, (14" & 16" Driver Assy)	1
370095	(00000000-) Device, Centering, Clip- On, Teal, Gf Pp	1
989977	(00000000-) Pad, 12.00, Sapphire [5pc]	2
989813	(00000000-) Pad, Stripping, 12inch, Blk [5pc]	2
989973	(00000000-) Pad, 12.0, Brown [5pc] (Deep Scrubbing & Stripping)	2
989974	(00000000-) Pad, 12.0, Blu [5pc] (Blue) (Medium Scrubbing)	2
989975	(00000000-) Pad, 12.0, Red [5pc] (Light Scrubbing & Buffing)	2
989909	(00000000-) Jumbo Tan 12"	2
989980	(00000000-) Pad, 12.0, White [5pc] (Polishing)	2
630660	(00000000-) Pad, 14.0 [Sapphire, Case Of 5]	2
630653	(00000000-) Pad, 14.0, Brown [Case Of 5] (Deep Scrubbing & Stripping)	2
630654	(00000000-) Pad, 14.0, Blu [Case Of 5] (Blue) (Medium Scrubbing)	2
630655	(00000000-) Pad, 14.0, Red [Case Of 5] (Light Scrubbing & Buffing)	2
989806	(00000000-) Jumbo Tan 14"	2
989981	(00000000-) Pad, 14.0, White [5pc] (Polishing)	2
630642	(00000000-) Pad, Stripping, 16.0[Sapphire,Case Of 5]	2
989814	(00000000-) Pad, Stripping, 16inch, Blk	2
630643	(00000000-) Pad, 16.0, Brown [Case Of 5] (Deep Scrubbing & Stripping)	2
630644	(00000000-) Pad, 16.0, Blu [Case Of 5] (Blue) (Medium Scrubbing)	2
630645	(00000000-) Pad, 16.0, Red [Case Of 5] (Light Scrubbing & Buffing)	2
989807	(00000000-) Jumbo Tan 16"	2
989907	(00000000-) Pad, 16.0, White [5pc] (Polishing)	2
1051986	(10581737-) Valve, Ball, 2way, 1.0id Pvc, W/Handle	1
1051504	(10581737-) Strap, Hose, Drain	1
1051438	(10581737-) Hose, Drain, 1.50id X 19.3l, Blk	1

RECOMMENDED MAINTENANCE ITEMS

CYLINDRICAL 26 in / 650 mm MODEL RECOMMENDED MAINTENANCE ITEMS

Part No.	Serial Number	Description	Qty.
399251	(00000000-) Brush, Scb, Cyl, 26l, 18 Sr, Nyl (Soft Nylon)	2
399252	(00000000-) Brush, Scb, Cyl, 26.0l, Poly (Medium Polypropylene)	2
399253	(00000000-) Brush, Scb, Cyl, 26.0l, Hd Poly (Stiff Polypropylene)	2
399254	(00000000-) Brush, Scb, Cyl, 26.0l, Abr (Abrasive)	2
1060864	(00000000-) Brush, Scb, Cyl, 26l, 18sr, Abr, Spl (Abrasive - Light Duty)	2

CYLINDRICAL 32 in / 800 mm MODEL RECOMMENDED MAINTENANCE ITEMS

Part No.	Serial Number	Description	Qty.
222308	(00000000-) Brush, Scb, Cyl, 32l, 18 Sr, Nyl, Spl (Soft Nylon)	2
374042	(00000000-) Brush, Scb, Cyl, 32l, 18 Sr, Pyp ,Spl (Medium Polypropylene)	2
222307	(00000000-) Brush, Scb, Cyl, 32l, 18 Sr, Pyp Grout, Spl (Stiff Polypropylene)	2
222309	(00000000-) Brush, Scb, Cyl, 32l, 18 Sr, Abr, Spl (Abrasive)	2

DISK 24 in / 600 mm MODEL RECOMMENDED MAINTENANCE ITEMS

Part No.	Serial Number	Description	Qty.
1025094	(00000000-) Brush Assy, Disk, Scb, 11.90d, Nyl (Soft Nylon)	2
1025095	(00000000-) Brush Assy, Disk, Scb, 11.90d, Pyp (Medium Polypropylene)	2
1025096	(00000000-) Brush Assy, Disk, Scb, 11.9d, Sab (Abrasive)	2
21852	(00000000-) Bracket, Retainer, Spring	2
21853	(00000000-) Spring, Wir, 0.16d, Brush Retaining (12" Brush Assy)	1
370095	(00000000-) Device, Centering, Clip- On, Teal, Gf Pp	1
385940	(00000000-) Pad, Polish, 12.0d, White [1pad=1pc] (Polishing)	2
385941	(00000000-) Pad, Buff, 12.0d, Red [1pad=1pc] (Light Scrubbing & Buffing)	2
385942	(00000000-) Pad, Scb, 12.0d, Blu [1pick = 1 Pad] (Blue) (Medium Scrubbing)	2
385943	(00000000-) Pad, Stripping, 12.0d, Brown [1pad=1pc] (Deep Scrubbing & Stripping)	2
1051020	(00000000-) Pad, Surf Prep, 12.0d [Mar, 1pick=1pad] (Maroon) (Surface Preparation)	2

RECOMMENDED MAINTENANCE ITEMS

DISK 28 in / 700 mm MODEL RECOMMENDED MAINTENANCE ITEMS

Part No.	Serial Number	Description	Qty.
399246	(00000000-) Brush, Disk, Scr, 13.90d, Assy, Nyl (Soft Nylon)	2
399247	(00000000-) Brush, Disk, Scr, 13.90d, Assy, Pyp (Medium Polypropylene)	2
399245	(00000000-) Brush, Disk, Scr, 13.90d, Assy, Sab (Abrasive)	2
21852	(00000000-) Bracket, Retainer, Spring	2
1028905	(00000000-) Spring, Wir, 0.16d, Brush Retaining, (14" & 16" Brush Assy)	1
370095	(00000000-) Device, Centering, Clip- On, Teal, Gf Pp	1
222324	(00000000-) Pad, Polish, 14.0d, White [1pad=1pc] (Polishing)	2
222325	(00000000-) Pad, Buff, 14.0d, Red (Light Scrubbing & Buffing)	2
222326	(00000000-) Pad, Scb, 14.0d, Blu [1pad=1pc] (Blue) (Medium Scrubbing)	2
222327	(00000000-) Pad, Stripping, 14.0d, Brown [1pad=1pc] (Deep Scrubbing & Stripping)	2
1051026	(00000000-) Pad, Surf Prep, 14.0d [Mar, 1pick=1pad] (Maroon) (Surface Preparation)	2

DISK 32 in / 800 mm MODEL RECOMMENDED MAINTENANCE ITEMS

Part No.	Serial Number	Description	Qty.
399243	(00000000-) Brush, Disk, Scr, 15.9d, Assy, Nyl (Soft Nylon)	2
399244	(00000000-) Brush, Disk, Scr, 15.9d, Assy, Pyp (Medium Polypropylene)	2
399242	(00000000-) Brush, Disk, Scr, 15.9d, Assy, Sab (Abrasive)	2
21852	(00000000-) Bracket, Retainer, Spring	2
1028905	(00000000-) Spring, Wir, 0.16d, Brush Retaining, (14" & 16" Brush Assy)	1
370095	(00000000-) Device, Centering, Clip- On, Teal, Gf Pp	1
63248- 4	(00000000-) Pad, Polish, 16.0d, White [1pad=1pc] (Polishing)	2
63248- 3	(00000000-) Pad, Buff, 16.0d, Red (Light Scrubbing & Buffing)	2
63248- 2	(00000000-) Pad, Scb, 16.0d, Blu [1pad=1pc] (Blue) (Medium Scrubbing)	2
63248- 1	(00000000-) Pad, Stripping, 16.0d, Brown [1pad=1pc] (Deep Scrubbing & Stripping)	2
1051027	(00000000-) Pad, Surf Prep, 16.0d [Mar, 1pick=1pad] (Maroon) (Surface Preparation)	2

RECOMMENDED MAINTENANCE ITEMS

SQUEEGEE GROUP, 20 in / 500 mm, RECOMMENDED MAINTENANCE ITEMS

	Part No.	Serial Number	Description	Qty.
▽	9001178	(00000000-) Squeegee Assy Kit, 500mm, Ci	1
▲	1010560	(00000000-) Wheel, Bmpr, 80d X 25w, Non- Marking	2
▲	1006343	(00000000-) Caster, Swivel, 50mmd, M10 X 30 Stem, PI	2
▲	1010558	(00000000-) Knob, Star, 2.00d 4ear 0.7l M8x1.25 Thru	4
▲	1011232	(00000000-) Blade, Sqge, Front, 500mml (Linatex Red Standard)	1
	1014091	(00000000-) Blade, Sqge, Front, 500mm, Gum (Gum Rubber Tan Optional)	1
	1014092	(00000000-) Blade, Sqge, Front, 500mml, Oil- Rstn (Polyurethane Natural Optional)	1
▲	1011456	(00000000-) Blade, Sqge, Rear, 500mm Linatex (Linatex Red Standard)	1
	1014093	(00000000-) Blade, Sqge, Rear, 500mm Gum (Gum Rubber Tan Optional)	1
	1014094	(00000000-) Blade, Sqge, Rear, 500mm Oil- Rstn (Polyurethane Natural Optional)	1
▲	1013933	(00000000-) Strap Assy, Sqge, 500mm	1
	1014026	(00000000-) Hose, Vacuum, 1.5d X 57l, 2- Short Cuffs	1

SQUEEGEE GROUP, 24 in / 600 mm, RECOMMENDED MAINTENANCE ITEMS

	Part No.	Serial Number	Description	Qty.
▽	9002679	(00000000-) Kit, Squeegee, 600mm Ci	1
▲	1010560	(00000000-) Wheel, Bmpr, 80d X 25w, Non- Marking	2
▲	1006343	(00000000-) Caster, Swivel, 50mm D, M10 X 30 Stem,Zn	2
▲	1015911	(00000000-) Knob, Star, 2.75d 4ear 1.1l M8x1.25 Thru	4
▲	1021804	(00000000-) Blade, Sqge, Front, 88cml [LnX, 60cm] (Linatex Red Standard)	1
	1025333	(00000000-) Blade, Sqge, Front, 88cml, Gum [60cm] (Gum Rubber Tan Optional)	1
	1025334	(00000000-) Blade, Sqge, Front, 88cml, Ure [60cm] (Polyurethane Natural Optional)	1
▲	630477	(00000000-) Wheel, Pyu, 2.0d 0.38w, Gray	1
▲	1021333	(00000000-) Blade, Sqge, Rear, 88cm,Linatex[60cm] (Linatex Red Standard)	1
	1025335	(00000000-) Blade, Sqge, Rear, 88cml, Gum [60cm] (Gum Rubber Tan Optional)	1
	1025336	(00000000-) Blade, Sqge, Rear, 88cm, Ure [60cm] (Polyurethane Natural Optional)	1
	1014026	(00000000-) Hose, Vacuum, 1.5d X 57l, 2- Short Cuffs	1

▽ ASSEMBLY

▲ INCLUDED IN ASSEMBLY

RECOMMENDED MAINTENANCE ITEMS

SQUEEGEE GROUP, 26 in / 650 mm & 28 in / 700 mm RECOMMENDED MAINTENANCE ITEMS

	Part No.	Serial Number	Description	Qty.
▽	9002680	(00000000-) Kit, Squeegee, 700mm Ci	1
▲	1010560	(00000000-) Wheel, Bmpr, 80d X 25w, Non- Marking	2
▲	1006343	(00000000-) Caster, Swivel, 50mm D, M10 X 30 Stem,Zn	2
▲	1015911	(00000000-) Knob, Star, 2.75d 4ear 1.1l M8x1.25 Thru	4
▲	1023327	(00000000-) Blade, Sqge, Front, 98cml [Lnx, 70cm] (Linatex Red Standard)	1
▲	1025337	(00000000-) Blade, Sqge, Front, 98cml, Gum [70cm] (Gum Rubber Tan Optional)	1
▲	1025339	(00000000-) Blade, Sqge, Front, 98cml, Ure [70cm] (Polyurethane Natural Optional)	1
▲	630477	(00000000-) Wheel, Pyu, 2.0d 0.38w, Gray	1
▲	1023329	(00000000-) Blade, Sqge, Rear, 98cm,Linatex[70cm] (Linatex Red Standard)	1
	1025340	(00000000-) Blade, Sqge, Rear, 98cml, Gum [70cm] (Gum Rubber Tan Optional)	1
	1025341	(00000000-) Blade, Sqge, Rear, 98cm, Ure [70cm] (Polyurethane Natural Optional)	1
	1014026	(00000000-) Hose, Vacuum, 1.5d X 57l, 2- Short Cuffs	1

SQUEEGEE GROUP, 32 in / 800 mm, RECOMMENDED MAINTENANCE ITEMS

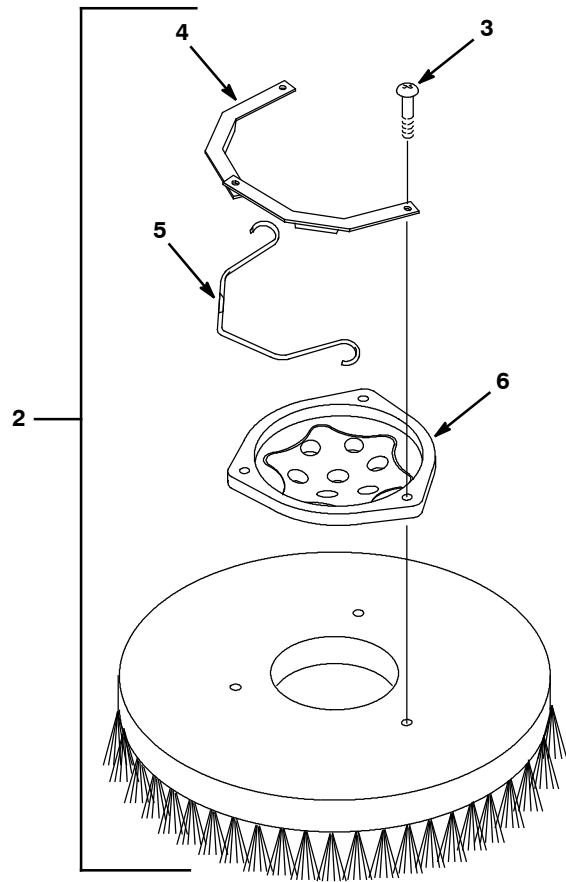
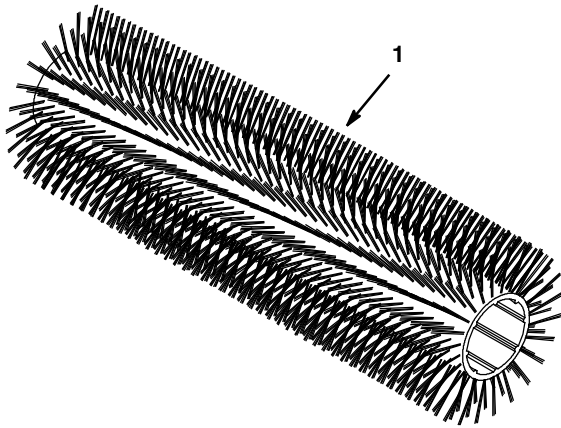
	Part No.	Serial Number	Description	Qty.
▽	9002681	(00000000-) Kit, Squeegee, 800mm Ci	1
▲	1010560	(00000000-) Wheel, Bmpr, 80d X 25w, Non- Marking	2
▲	1006343	(00000000-) Caster, Swivel, 50mm D, M10 X 30 Stem,Zn	2
▲	1015911	(00000000-) Knob, Star, 2.75d 4ear 1.1l M8x1.25 Thru	4
▲	1023398	(00000000-) Blade, Sqge, Front, 105cm [Linx 80cm] (Linatex Red Standard)	1
	1025342	(00000000-) Blade, Sqge, Front, 105cml, Gum[80cm] (Gum Rubber Tan Optional)	1
	1025343	(00000000-) Blade, Sqge, Front, 105cm, Ure [80cm] (Polyurethane Natural Optional)	1
▲	630477	(00000000-) Wheel, Pyu, 2.0d 0.38w, Gray	1
▲	1023399	(00000000-) Blade, Sqge, Rear, 105cml[Linx, 80cm] (Linatex Red Standard)	1
	1025344	(00000000-) Blade, Sqge, Rear, 105cml, Gum [80cm] (Gum Rubber Tan Optional)	1
	1025346	(00000000-) Blade, Sqge, Rear, 105cml, Ure [80cm] (Polyurethane Natural Optional)	1
	1014026	(00000000-) Hose, Vacuum, 1.5d X 57l, 2- Short Cuffs	1

▽ ASSEMBLY

▲ INCLUDED IN ASSEMBLY

RECOMMENDED MAINTENANCE ITEMS

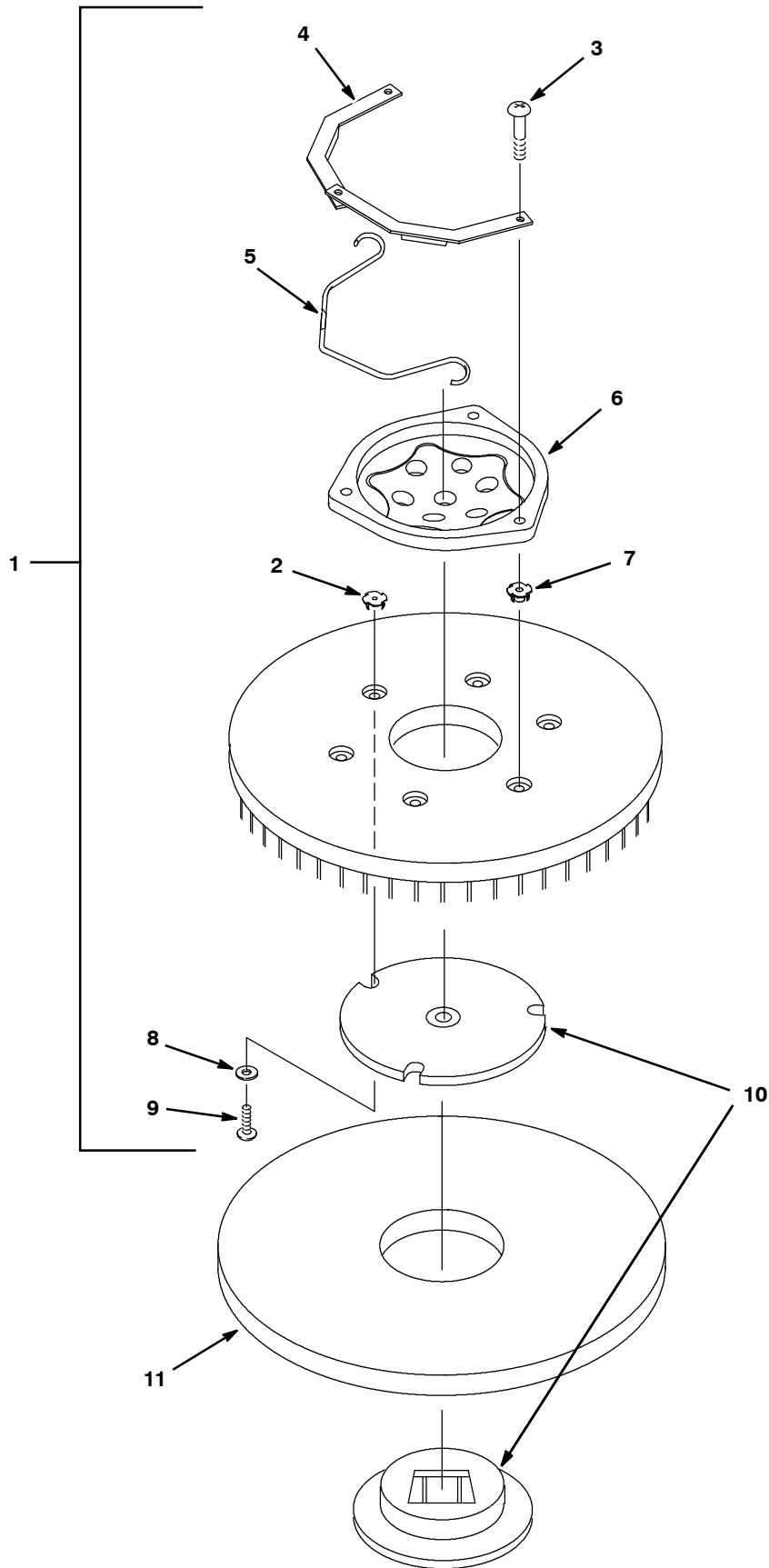
REPLACEMENT BRUSHES



REPLACEMENT BRUSHES

Ref.	Part No.	Serial Number	Description	Qty.
1	399251	(00000000-) Brush, Scb, 26l, 18 Sr, Nyl (Soft Nylon)	2
1	399252	(00000000-) Brush, Scb, Cyl, 26.0l, Poly (Medium Polypropylene)	2
1	399253	(00000000-) Brush, Scb, Cyl, 26.0l, Hd Poly (Stiff Polypropylene)	2
1	399254	(00000000-) Brush, Scb, Cyl, 26.0l, Abr (Abrasive)	2
1	1060864	(00000000-) Brush, Scb, 26l, 18sr, Abr, Spl (Abrasive- Light Duty)	2
1	222308	(00000000-) Brush, Scb, 32l, 18 Sr, Nyl, Spl (Soft Nylon)	2
1	374042	(00000000-) Brush, Scb, 32l, 18 Sr, Pyp, Spl (Medium Polypropylene)	2
1	222307	(00000000-) Brush, Scb, 32l, 18 Sr, Pyp Grout, Spl (Stiff Polypropylene)	2
1	222309	(00000000-) Brush, Scb, 32l, 18 Sr, Abr, Spl (Abrasive)	2
1	1062078	(00000000-) Brush, Scb, 32l, 18sr, Abr, Spl (Abrasive- Light Duty)	2
2	1025094	(00000000-) Brush Assy, Disk, Scb, 11.90d, Nyl (Soft Nylon)	2
2	1025095	(00000000-) Brush Assy, Disk, Scb, 11.90d, Pyp (Medium Polypropylene)	2
2	1025096	(00000000-) Brush Assy, Disk, Scb, 11.9d, Sab (Abrasive)	2
2	399246	(00000000-) Brush, Disk, Scr, 13.90d, Assy, Nyl (Soft Nylon)	2
2	399247	(00000000-) Brush, Disk, Scr, 13.90d, Assy, Pyp (Medium Polypropylene)	2
2	399245	(00000000-) Brush, Disk, Scr, 13.90d, Assy, Sab (Abrasive)	2
2	399243	(00000000-) Brush, Disk, Scr, 15.9d, Assy, Nyl (Soft Nylon)	2
2	399244	(00000000-) Brush, Disk, Scr, 15.9d, Assy, Pyp (Medium Polypropylene)	2
2	399242	(00000000-) Brush, Disk, Scr, 15.9d, Assy, Sab (Abrasive)	2
3	32747	(00000000-) Screw, Pan, M6 X 1.0 X 40, Ss	3
4	21852	(00000000-) Bracket, Retainer, Spring	2
5	21853	(00000000-) Spring, Wir, 0.16d, Brush Retaining (12" Brush Assy)	1
5	1028905	(00000000-) Spring, Wir, 0.16d, Brush Retaining, (14" & 16" Brush Assy)	1
6	1017112	(00000000-) Hub, Drive, Brush, Disk, 3hole 5.8bc	1

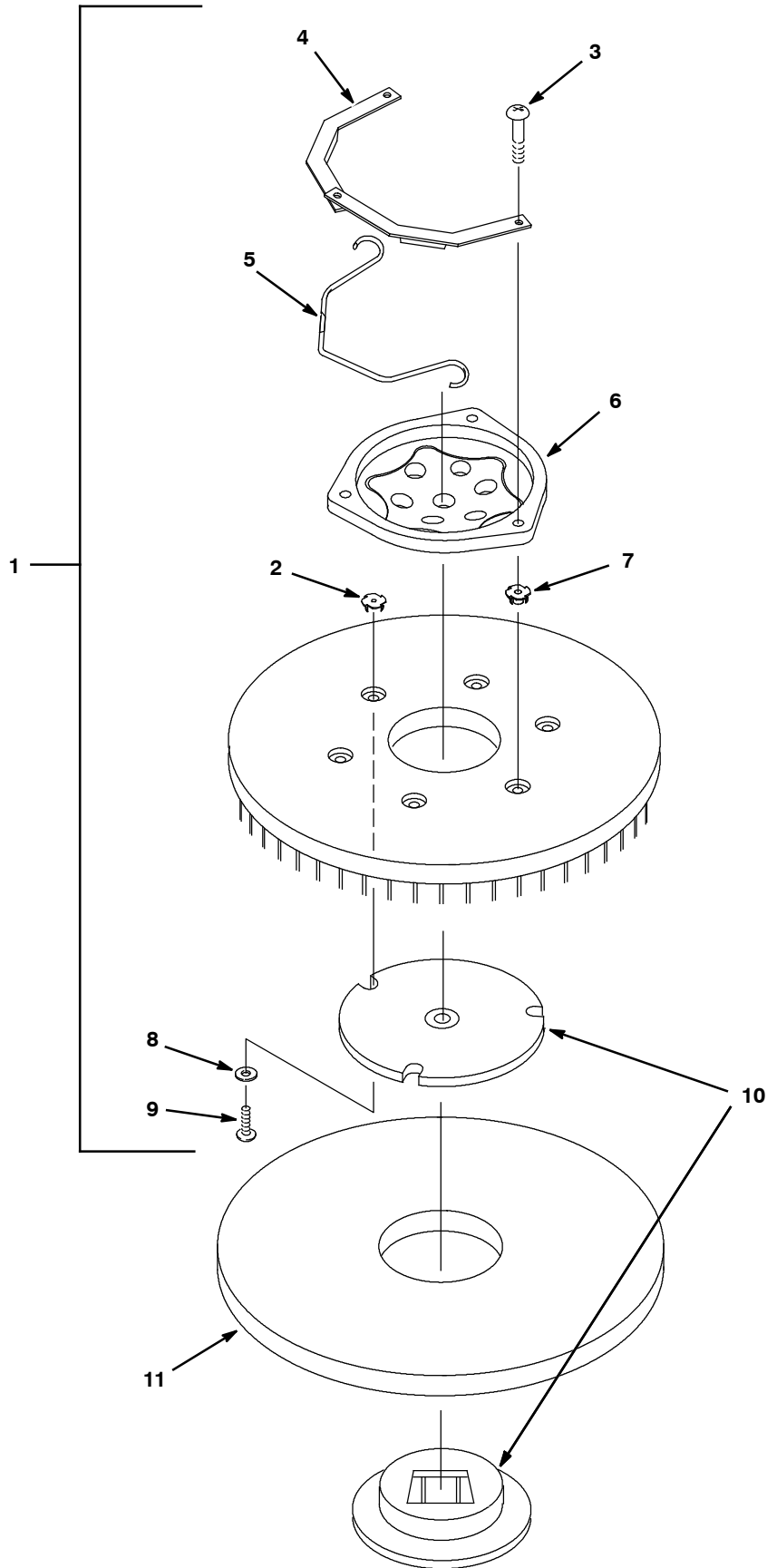
PAD DRIVER GROUP



PAD DRIVER GROUP

Ref.	Part No.	Serial Number	Description	Qty.
1	385944	(00000000-) Driver Assy, Pad, 12 D, Brush	2
1	399249	(00000000-) Driver Assy, Pad, 14 D, Brush	2
1	399250	(00000000-) Driver Assy, Pad, 16 D, Brush	2
2	10908	(00000000-) Nut, T, M4 X 0.7	3
3	32747	(00000000-) Screw, Pan, M6 X 1.0 X 40, Ss	3
4	21852	(00000000-) Bracket, Retainer, Spring	2
5	21853	(00000000-) Spring, Wir, 0.16d, Brush Retaining (12" Driver Assy)	1
5	1028905	(00000000-) Spring, Wir, 0.16d, Brush Retaining, (14" & 16" Driver Assy)	1
6	1017112	(00000000-) Hub, Drive, Brush, Disk, 3hole 5.8bc	1
7	05709	(00000000-) Nut, T, M6 X 1.00	3
8	41579	(00000000-) Washer, Flat, #8, Ss	3
9	04403	(00000000-) Screw, Pan, M4 X 0.7 X 25, Ss, NI	3
10	370095	(00000000-) Device, Centering, Clip- On, Teal, Gf Pp	1
11	385940	(00000000-) Pad, Polish, 12.0d, White [1pad=1pc] (Polishing)	2
11	385941	(00000000-) Pad, Buff, 12.0d, Red [1pad=1pc] (Light Scrubbing & Buffing)	2
11	385942	(00000000-) Pad, Scb, 12.0d, Blu [1pick = 1 Pad] (Blue) (Medium Scrubbing)	2
11	385943	(00000000-) Pad, Stripping, 12.0d, Brown [1pad=1pc] (Deep Scrubbing & Stripping)	2
11	1051020	(00000000-) Pad, Surf Prep, 12.0d [Mar, 1pick=1pad] (Maroon) (Surface Preparation)	2
11	222324	(00000000-) Pad, Polish, 14.0d, White [1pad=1pc] (Polishing)	2
11	222325	(00000000-) Pad, Buff, 14.0d, Red (Light Scrubbing & Buffing)	2
11	222326	(00000000-) Pad, Scb, 14.0d, Blu [1pad=1pc] (Blue) (Medium Scrubbing)	2
11	222327	(00000000-) Pad, Stripping, 14.0d, Brown [1pad=1pc] (Deep Scrubbing & Stripping)	2
11	1051026	(00000000-) Pad, Surf Prep, 14.0d [Mar, 1pick=1pad] (Maroon) (Surface Preparation)	2
11	63248-4	(00000000-) Pad, Polish, 16.0d, White [1pad=1pc] (Polishing)	2
11	63248-3	(00000000-) Pad, Buff, 16.0d, Red (Light Scrubbing & Buffing)	2
11	63248-2	(00000000-) Pad, Scb, 16.0d, Blu [1pad=1pc] (Blue) (Medium Scrubbing)	2
11	63248-1	(00000000-) Pad, Stripping, 16.0d, Brown [1pad=1pc] (Deep Scrubbing & Stripping)	2
11	1051027	(00000000-) Pad, Surf Prep, 16.0d [Mar, 1pick=1pad] (Maroon) (Surface Preparation)	2

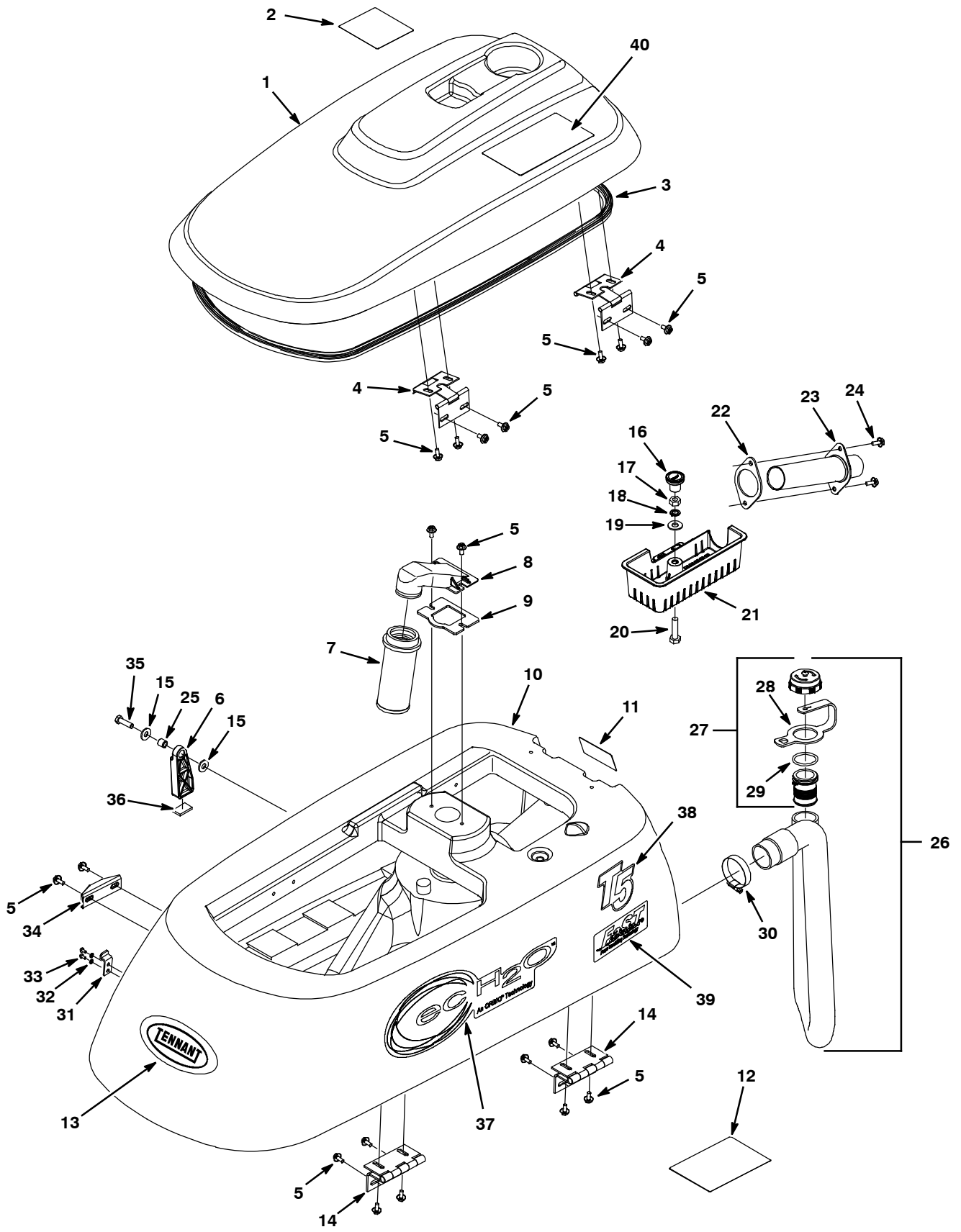
PAD DRIVER GROUP (JAPAN)



PAD DRIVER GROUP (JAPAN)

Ref.	Part No.	Serial Number	Description	Qty.
1	385944	(00000000-) Driver Assy, Pad, 12 D, Brush	2
1	399249	(00000000-) Driver Assy, Pad, 14 D, Brush	2
1	399250	(00000000-) Driver Assy, Pad, 16 D, Brush	2
2	10908	(00000000-) Nut, T, M4 X 0.7	3
3	32747	(00000000-) Screw, Pan, M6 X 1.0 X 40, Ss	3
4	21852	(00000000-) Bracket, Retainer, Spring	2
5	21853	(00000000-) Spring, Wir, 0.16d, Brush Retaining (12" Driver Assy)	1
5	1028905	(00000000-) Spring, Wir, 0.16d, Brush Retaining, (14" & 16" Driver Assy)	1
6	1017112	(00000000-) Hub, Drive, Brush, Disk, 3hole 5.8bc	1
7	05709	(00000000-) Nut, T, M6 X 1.00	3
8	41579	(00000000-) Washer, Flat, #8, Ss	3
9	04403	(00000000-) Screw, Pan, M4 X 0.7 X 25, Ss, NI	3
10	370095	(00000000-) Device, Centering, Clip- On, Teal, Gf Pp	1
11	989977	(00000000-) Pad, 12.00, Sapphire [5pc]	2
11	989813	(00000000-) Pad, Stripping, 12inch, Blk [5pc]	2
11	989973	(00000000-) Pad, 12.0, Brown [5pc] (Deep Scrubbing & Stripping)	2
11	989974	(00000000-) Pad, 12.0, Blu [5pc] (Blue) (Medium Scrubbing)	2
11	989975	(00000000-) Pad, 12.0, Red [5pc] (Light Scrubbing & Buffing)	2
11	989909	(00000000-) Jumbo Tan 12"	2
11	989980	(00000000-) Pad, 12.0, White [5pc] (Polishing)	2
11	630660	(00000000-) Pad, 14.0 [Sapphire, Case Of 5]	2
11	630653	(00000000-) Pad, 14.0, Brown [Case Of 5] (Deep Scrubbing & Stripping)	2
11	630654	(00000000-) Pad, 14.0, Blu [Case Of 5] (Blue) (Medium Scrubbing)	2
11	630655	(00000000-) Pad, 14.0, Red [Case Of 5] (Light Scrubbing & Buffing)	2
11	989806	(00000000-) Jumbo Tan 14"	2
11	989981	(00000000-) Pad, 14.0, White [5pc] (Polishing)	2
11	630642	(00000000-) Pad, Stripping, 16.0[Sapphire,Case Of 5]	2
11	989814	(00000000-) Pad, Stripping, 16inch, Blk	2
11	630643	(00000000-) Pad, 16.0, Brown [Case Of 5] (Deep Scrubbing & Stripping)	2
11	630644	(00000000-) Pad, 16.0, Blu [Case Of 5] (Blue) (Medium Scrubbing)	2
11	630645	(00000000-) Pad, 16.0, Red [Case Of 5] (Light Scrubbing & Buffing)	2
11	989807	(00000000-) Jumbo Tan 16"	2
11	989907	(00000000-) Pad, 16.0, White [5pc] (Polishing)	2

RECOVERY TANK GROUP



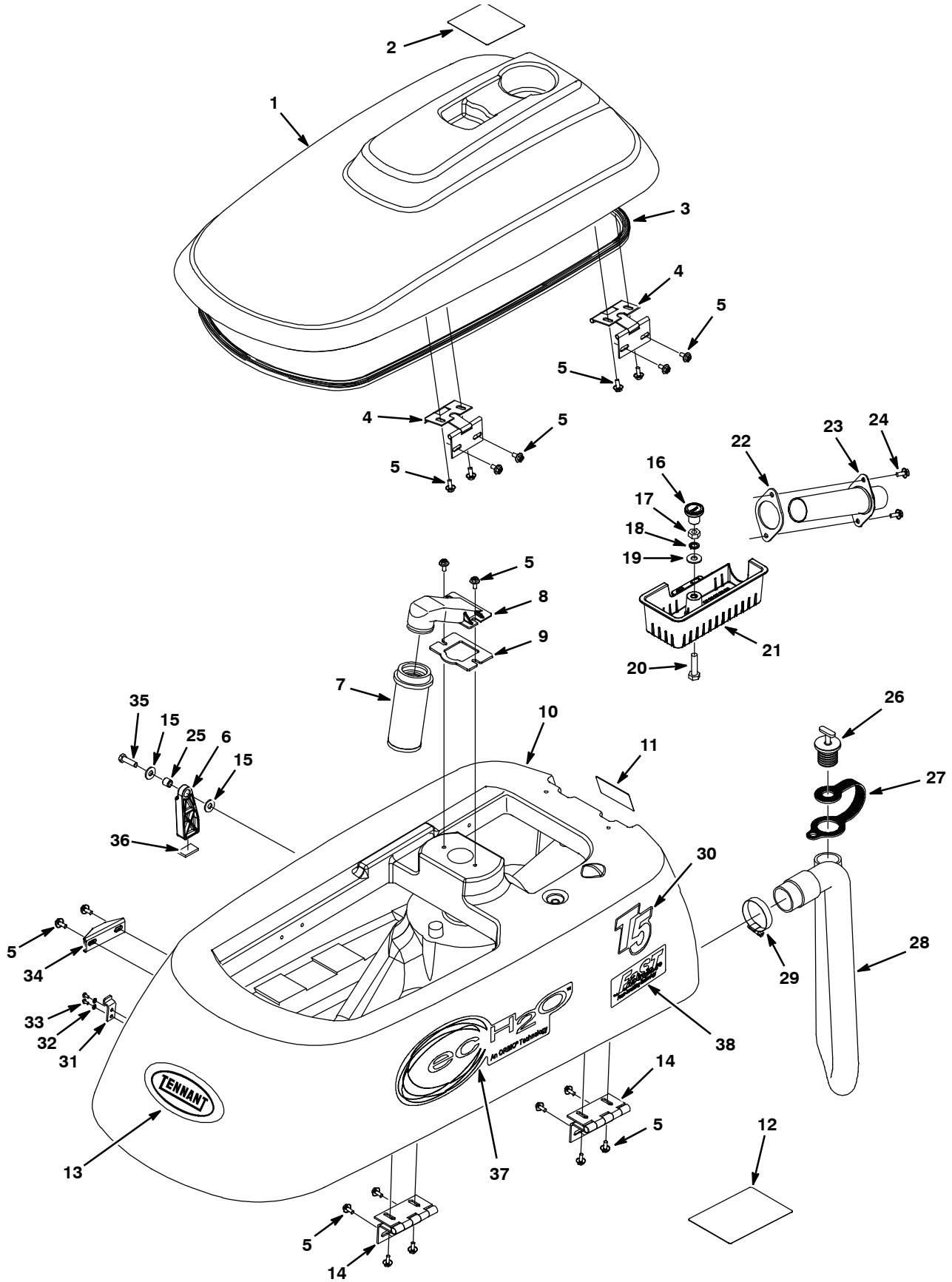
RECOVERY TANK GROUP

Ref.	Part No.	Serial Number	Description	Qty.
▽	1	9002563	(00000000-) Kit, Cover, Recovery Tank (Na)	1
▲	2	1026387	(00000000-) Label, Warn,4x4dc Scrb/Extr/Brn En/Fr/Es	1
▲	3	1042937	(00000000-) Gasket, Snap- In, Dual- Durometer [T5]	1
	4	1021246	(00000000-) Hinge, 6.0 Pin, 2.5 Thk,73.5 W, 3 Leaf	2
	5	1034731	(00000000-) Screw, Hex, M6 X 1.00 X 16, Sems, Ss	20
	6	1022399	(00000000-) Support, Tank, Prop, Blk, Ny	1
	7	630052	(00000000-) Float, Shut- Off, (2)Ball, 1.75d	1
	8	1011777	(00000000-) Mount, Float, Molded	1
	9	1013628	(00000000-) Gasket, Mtg, Float	1
▽	10	9002564	(00000000-) Kit, Tank, Recovery (Teal)	1
▽	10	9002714	(00000000-) Kit, Tank, Recovery Hg (Gray)	1
▲	11	391451	(00000000-) Label, Attention Fast Users (Fast Model)	1
▲	11	1050003	(10378380-) Label, User, Attention, Ec- H2o (ec- H2O Model)	1
▲	12	1024800	(00000000-) Label, Instr, Battery	1
▲	13	1047746	(00000000-) Label, Logo, 06.9l, White, [Tennant] (Teal)	1
▲	13	1047747	(00000000-) Label, Logo, 06.9l, White, Hg, [Tennant] (Gray)	1
	14	1022380	(00000000-) Hinge, 7mmpin 3mmthk 73.5mmw 100mml	2
	15	140027	(00000000-) Washer, Flat, 0.35b 0.75d .04, Ss	2
	16	1024179	(00000000-) Knob, Knurled, M10 Thread	1
	17	07787	(00000000-) Nut, Hex, Std, M10 X 1.5, Ss	1
	18	140333	(00000000-) Washer M10 Spltlck Ss	1
	19	01686	(00000000-) Washer, Flat, 0.44b 1.00 .08, Ss	1
	20	05720	(00000000-) Screw, Hex, M10 X 1.5 X 40, Ss, Fl	1
	21	1025349	(00000000-) Tray, Debris	1
	22	1024602	(00000000-) Gasket, Adaptor, Hose	1
	23	1021214	(00000000-) Tube, Hose, Adapter, 1.5d	1
	24	1034731	(00000000-) Screw, Hex, M6 X 1.00 X 16, Sems, Ss	2
	25	222460	(00000000-) Sleeve, P/M, 0.496d 0.318b 0.50l 430ss	1
▽	26	1043538	(00000000-) Hose Assy, Drain, 1.50id X 29.5l, Blk	1
▲▽	27	1008639	(00000000-) Cap, Drain Assy	1
▲▲	28	1019563	(00000000-) Strap, Drain Cap	1
▲▲	29	1008637	(00000000-) O Ring, 1.48" Id, 1.76" Od	1
	30	11531	(00000000-) Clamp, Hose, Wormdrive, 1.06- 2.00d, .56w	1
	31	49800	(00000000-) Latch	1
	32	02938	(00000000-) Washer, Lock, Int, 08 Ss	2
	33	391403	(00000000-) Screw, Pan, M4 X 0.7 X 8, Ss	2
	34	1061143	(00000000-) Bracket, Guide, Recvy Tank, [T5, Ss5]	1
	35	1039118	(00000000-) Screw, Btn, M8 X 1.25 X 30, Blk	1
	36	1032763	(00000000-) Gasket, Stand, Support	1
	37	1062813	(00000000-) Label, Logo, 12.3l 4color [Ec- H2o]	2
	38	1024779	(00000000-) Label, Side [T5]	2
	39	1062814	(00000000-) Label, Logo, 06.1l White / TI [Fast]	2
	40	1071570	(00000000-) Label, Instr, Ec- H2o, 4.0x6.50	1

▽ ASSEMBLY

▲ INCLUDED IN ASSEMBLY

RECOVERY TANK GROUP (JAPAN)



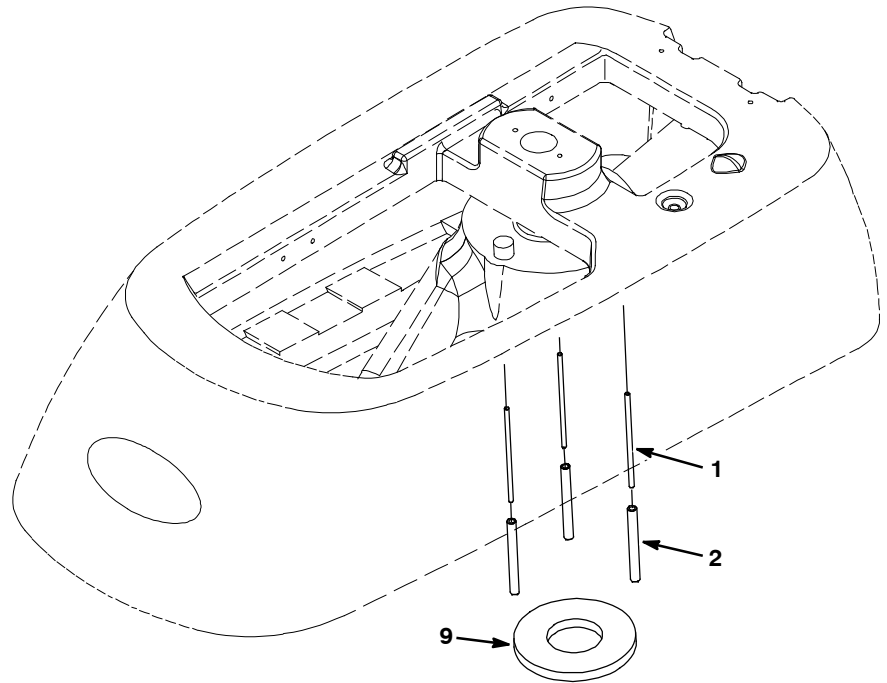
RECOVERY TANK GROUP (JAPAN)

	Ref.	Part No.	Serial Number	Description	Qty.
▽	1	9003133	(00000000-) Cover Assy, Tank, Recvy [Japan]	1
▲	2	1016753	(00000000-) Label, Warning, 4 X 3, Tj [Dcwb]	1
▲	3	1042937	(00000000-) Gasket, Snap- In, Dual- Durometer [T5]	1
	4	1021246	(00000000-) Hinge, 6.0 Pin, 2.5 Thk, 73.5 W, 3 Leaf	2
	5	1034731	(00000000-) Screw, Hex, M6 X 1.00 X 16, Sems, Ss	20
	6	1022399	(00000000-) Support, Tank, Prop, Blk, Ny	1
	7	630052	(00000000-) Float, Shut- Off, (2)Ball, 1.75d	1
	8	1011777	(00000000-) Mount, Float, Molded	1
	9	1013628	(00000000-) Gasket, Mtg, Float	1
▽	10	9002564	(00000000-) Kit, Tank, Recovery (Teal)	1
▲	11	391451	(00000000-) Label, Attention Fast Users (Fast Model)	1
▲	11	1050003	(10378380-) Label, User, Attention, Ec- H2o (ec- H2O Model)	1
▲	12	1024800	(00000000-) Label, Instr, Battery	1
▲	13	1047746	(00000000-) Label, Logo, 06.9l, White, [Tennant] (Teal)	1
	14	1022380	(00000000-) Hinge, 7mmpin 3mmthk 73.5mmw 100mml	2
	15	140027	(00000000-) Washer, Flat, 0.35b 0.75d .04, Ss	2
	16	1024179	(00000000-) Knob, Knurled, M10 Thread	1
	17	07787	(00000000-) Nut, Hex, Std, M10 X 1.5, Ss	1
	18	140333	(00000000-) Washer M10 Spltlck Ss	1
	19	01686	(00000000-) Washer, Flat, 0.44b 1.00 .08, Ss	1
	20	05720	(00000000-) Screw, Hex, M10 X 1.5 X 40, Ss, Fl	1
	21	1025349	(00000000-) Tray, Debris	1
	22	1024602	(00000000-) Gasket, Adaptor, Hose	1
	23	1021214	(00000000-) Tube, Hose, Adapter, 1.5d	1
	24	1034731	(00000000-) Screw, Hex, M6 X 1.00 X 16, Sems, Ss	2
	25	222460	(00000000-) Sleeve, P/M, 0.496d 0.318b 0.50l 430ss	1
	26	1051986	(10581737-) Valve, Ball, 2way, 1.0id Pvc, W/Handle	1
	27	1051504	(10581737-) Strap, Hose, Drain	1
	28	1051438	(10581737-) Hose, Drain, 1.50id X 19.3l, Blk	1
	29	11531	(00000000-) Clamp, Hose, Wormdrive, 1.06- 2.00d, .56w	1
	30	1024779	(00000000-) Label, Side [T5]	2
	31	49800	(00000000-) Latch	1
	32	02938	(00000000-) Washer, Lock, Int, 08 Ss	2
	33	391403	(00000000-) Screw, Pan, M4 X 0.7 X 8, Ss	2
	34	1061143	(00000000-) Bracket, Guide, Recvy Tank, [T5, Ss5]	1
	35	1039118	(00000000-) Screw, Btn, M8 X 1.25 X 30, Blk	1
	36	1032763	(00000000-) Gasket, Stand, Support	1
	37	1062813	(00000000-) Label, Logo, 12.3l 4color [Ec- H2o]	2
	38	1062814	(00000000-) Label, Logo, 06.1l White / TI [Fast]	2

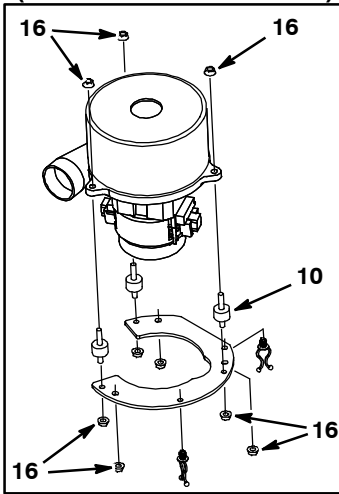
▽ ASSEMBLY

▲ INCLUDED IN ASSEMBLY

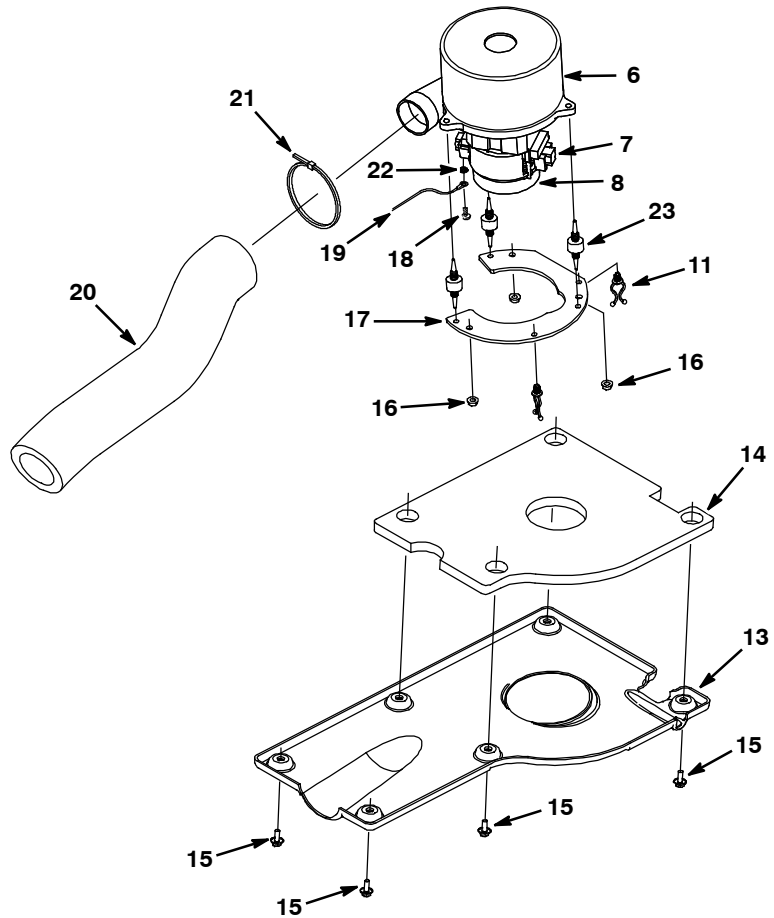
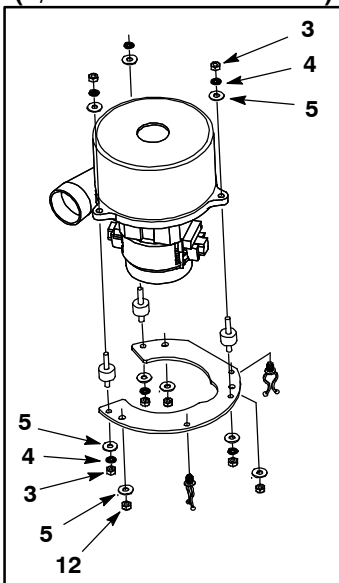
VACUUM MOTOR GROUP



(S/N 10358065- 10519188)



(S/N 00000000- 10358064)



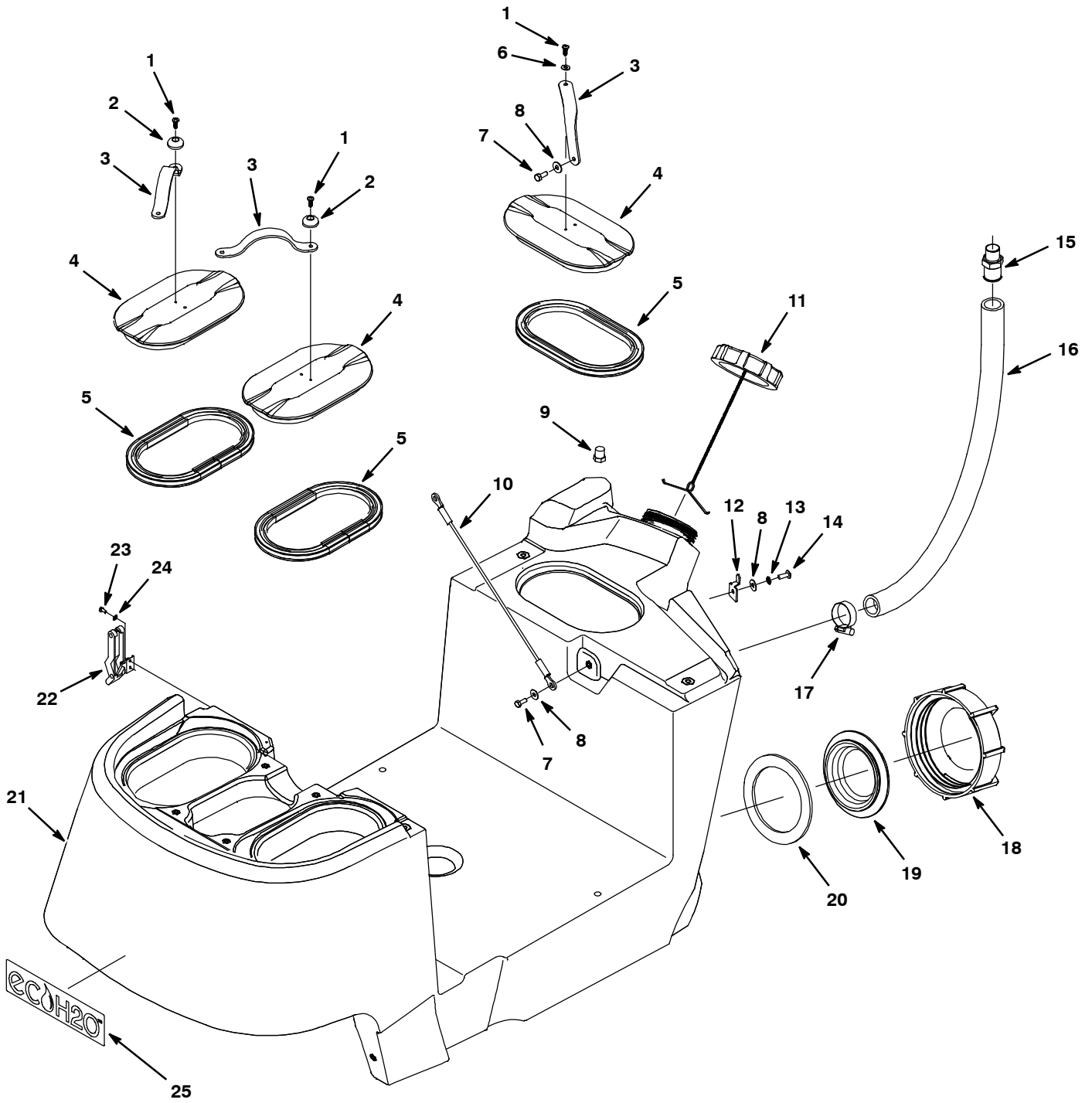
VACUUM MOTOR GROUP

Ref.	Part No.	Serial Number	Description	Qty.	
1	1015412	(00000000-) Rod, Thrd, Full, M06 X 1.0 05.5l	3	
2	1022406	(00000000-) Tube, 0.43d 0.28b 04.2l, Stl, Pl	3	
3	07785	(00000000- 10358064) Nut, Hex, Std, M6 X 1.0, A2, Ss	6	
4	07515	(00000000- 10358064) Washer, Lock, Int, 0.25 Ss	6	
5	01684	(00000000- 10358064) Washer, Flat, 0.25 Ss	9	
▽	6	9002562	(00000000-) Kit, Motor, Vac	1
▲	7	1073334	(00000000-) Brush, Carbon, Motor, Ele [1pick=1pkg] (1Pkg = 2 Brushes)	1
▲	8	130487	(00000000-) Housing, Motor, Fan, Vent	1
▲	9	100038	(00000000-) Gasket, Vacuum Mtr 5.7 Epdm W/Psa	1
10	1011093	(00000000- 10519188) Isolator, Vib, .75d, M6 Stud Both Ends	3	
11	30406	(00000000-) Clip, Keeper	3	
12	08712	(00000000- 10358064) Nut, Hex, Lock, M6 X 1.0, Ss, NI	3	
▽	13	9002565	(00000000-) Kit, Cover, Vac W/Foam	1
▲	14	1024112	(00000000-) Pad, Foam, Insulator	1
15	1034731	(00000000-) Screw, Hex, M6 X 1.00 X 16, Sems, Ss	6	
16	1040381	(10519189-) Nut, Hex, Flng, M6 X 1.0, Ss [Serrated]	3	
16	1040381	(10358065- 10519188) Nut, Hex, Flng, M6 X 1.0, Ss [Serrated]	9	
17	1022375	(00000000-) Bracket, Mtg, Vacuum	1	
18	140897	(00000000-) Screw, Hex, #10- 32 X 0.25, SI [Ground]	1	
19	1031368	(00000000-) Wire, 12ga [Esd, Tubular Braid]	1	
20	390677	(00000000-) Muffler, Exhaust, Vacuum Fan, Long	1	
21	130773	(00000000-) Tie, Cable, Nyl, 11.0l, .14w, 3.0 Max. D	1	
22	140052	(00000000-) Washer, Lock, Ext, 0.25 Ss	1	
23	1062016	(10519189-) Isolator, Vib, .75d	3	

▽ ASSEMBLY

▲ INCLUDED IN ASSEMBLY

SOLUTION TANK GROUP



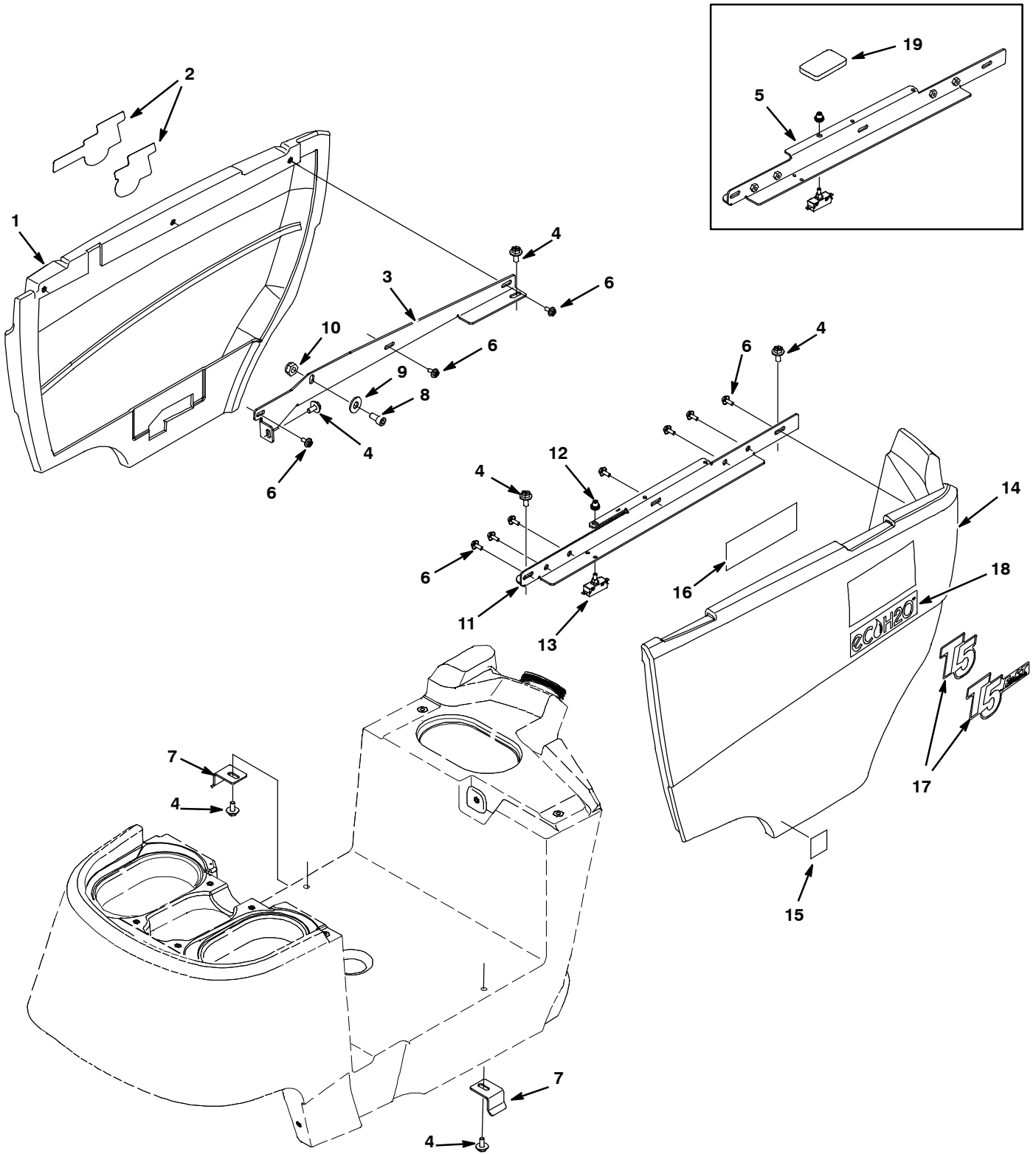
SOLUTION TANK GROUP

Ref.	Part No.	Serial Number	Description	Qty.	
1	1018155	(00000000-) Screw, Pan, M5 X 0.8 X16, Ss, Tcut	1	
2	361554	(00000000-) Bumper, Rbr, 0.90d 0.38th 0.18h	1	
3	1013768	(00000000-) Strap, Retaining, 20mm X 159mm X 3.2,Blk	3	
▽	4	9002566	(00000000-) Kit, Cover, Solution Tank Fill	3
▲	5	1024868	(00000000-) Gasket, Lip, Dual Durometer	3
6	01683	(00000000-) Washer, Flat, #10 Ss	1	
7	11329	(00000000-) Screw, Hex, M6 X 1.0 X 16, Ss, NI	13	
8	01684	(00000000-) Washer, Flat, 0.25 Ss	14	
9	22788	(00000000-) Fitting, Plstc, Plug, Pm04	1	
10	140960	(00000000-) Cable, Glv .13d 014.5l .34eye /.34eye	1	
11	1028723	(00000000-) Cap, Tank, 3.5", Non-Vented	1	
12	601460	(00000000-) Clip, Hanger, Hose, .25d Hole, Clr Zn	1	
13	07515	(00000000-) Washer, Lock, Int, 0.25 Ss	1	
14	608322	(00000000-) Screw, Trs, M6 X 1.0 X 16, Phl, Ss	1	
15	1041082	(00000000-) Fitting, Plstc, Str, Bm16/Pm12	1	
16	1023809	(00000000-) Hose, Drain, Soltn Tank	1	
17	11399	(00000000-) Clamp, Hose, Wormdrive, 0.81- 1.50d, .50w	1	
18	1014001	(00000000-) Cap, Tank, Drain, Thrd	1	
19	1014029	(00000000-) Plug, Cap, Gray	1	
20	375206	(00000000-) Gasket, Cap, Drain, Rbr .19 4.0b 05.5d.	1	
21	9003655	(00000000-) Tank Kit, Soltn [T5] (Teal)	1	
21	9003656	(00000000-) Tank Kit, Soltn, HG [T5] (Gray)	1	
22	49800	(00000000-) Latch	1	
23	391403	(00000000-) Screw, Pan, M4 X 0.7 X 8, Ss	2	
24	02938	(00000000-) Washer, Lock, Int, 08 Ss	2	
25	1050008	(10378380-) Label, Front, Ec- H2o [T5/T5e] (Teal) (NLA - No Longer Available)	1	
25	1050009	(10378380-) Label, Front, Ec- H2o [T5 Gray] (NLA - No Longer Available)	1	

▽ ASSEMBLY

▲ INCLUDED IN ASSEMBLY

SIDE PANEL GROUP



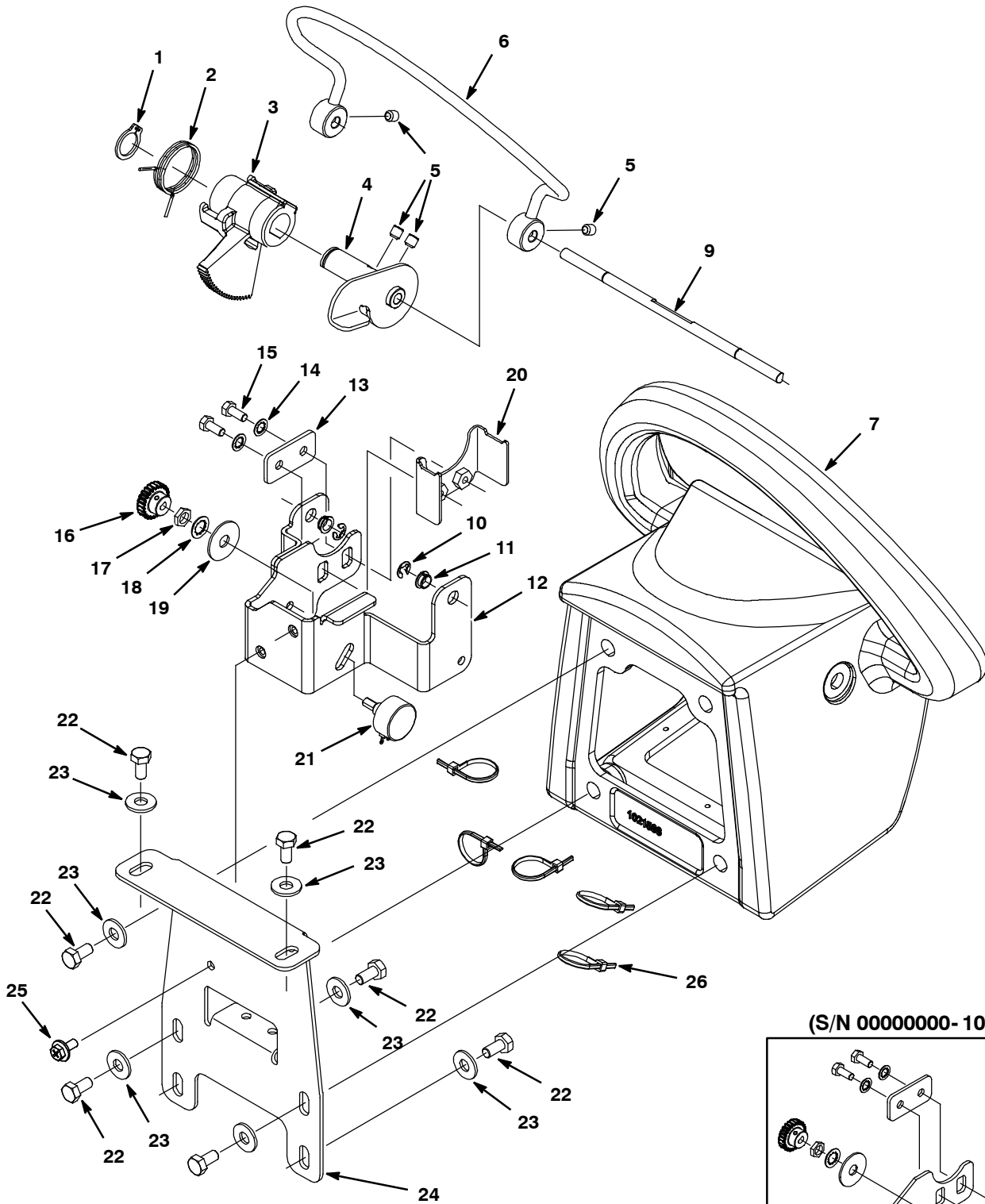
SIDE PANEL GROUP

Ref.	Part No.	Serial Number	Description	Qty.
1	9002569	(00000000-) Kit, Panel, Rh Side (Teal)	1
2	1024779	(00000000-) Label, Side [T5] (Teal)	1
2	1024780	(00000000-) Label, Side [T5 Fast] (Teal) (NLA - No Longer Available)	1
1	9002713	(00000000-) Kit, Panel, Rh Side Hg (Gray)	1
2	1032802	(00000000-) Label, Side, Gray [T5]	1
2	1032803	(00000000-) Label, Side, Gray [T5 Fast]	1
3	1021323	(00000000-) Rail, Side, Rh	1
4	1020341	(00000000-) Screw, Hex, M8 X 1.25 X 20, Ss, Sems	6
5	1022301	(00000000- 10332238) Rail, Side, Lh [T5]	1
6	1034731	(00000000-) Screw, Hex, M6 X 1.00 X 16, Sems, Ss	14
7	1023684	(00000000-) Bracket, Shroud, Bottom	2
8	607010	(00000000-) Screw, Soc, M10 X 1.5 X 20, Ss	1
9	01686	(00000000-) Washer, Flat, 0.44b 1.00 .08, Ss	1
10	08714	(00000000-) Nut, Hex, Lock, M10 X 1.5, NI, Ss	1
11	1034954	(10332239-) Rail, Side, Lh [T5]	1
12	1035711	(00000000-) Boot, Switch, Hex Nut, .38- 32 Thd	1
13	1071996	(00000000-) Switch, Push, Snap Action, 25a	1
∇	14	9002567	(00000000-) Kit, Panel, Lh Side W/O Charger (Teal)	1
∇	14	9002568	(00000000-) Kit, Panel, Lh Side W/Charger C/O (Teal)	1
▲	15	600624	(00000000-) Label, Parking Brake, Symbol	1
▲	16	1028175	(00000000-) Label, Instr, Charger Setting	1
	17	1024779	(00000000-) Label, Side [T5] (Teal)	1
	17	1024780	(00000000-) Label, Side [T5 Fast] (Teal) (NLA - No Longer Available)	1
	18	1050001	(10378380-) Label, Side, Ec- H2o [T3/T3e/T5/T7] (Teal) (NLA - Replaced by 1062813 - see page 16)	2
∇	14	9002711	(00000000-) Kit, Panel, Lh Side Hg W/O Charger (Gray)	1
∇	14	9002712	(00000000-) Kit, Panel, Lh Side Hg W/ Chgr C/O (Gray)	1
▲	15	600624	(00000000-) Label, Parking Brake, Symbol	1
▲	16	1028175	(00000000-) Label, Instr, Charger Setting	1
	17	1032802	(00000000-) Label, Side, Gray [T5]	1
	17	1032803	(00000000-) Label, Side, Gray [T5 Fast]	1
	18	1050002	(10378380-) Label, Side, Ec- H2o [T3/T5/T7 Gray] (NLA - Replaced by 1062813 - see page 16)	2
	19	1032763	(00000000- 10332238) Gasket, Stand, Support	1

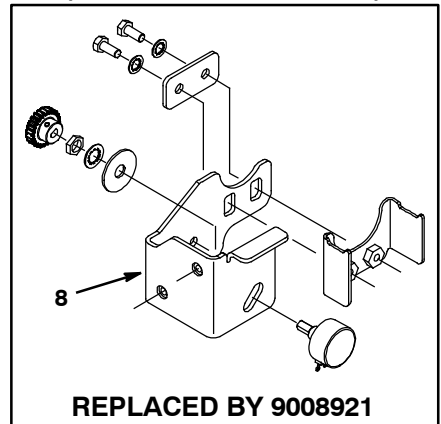
∇ ASSEMBLY

▲ INCLUDED IN ASSEMBLY

CONTROL CONSOLE GROUP



(S/N 0000000-10548347)



REPLACED BY 9008921

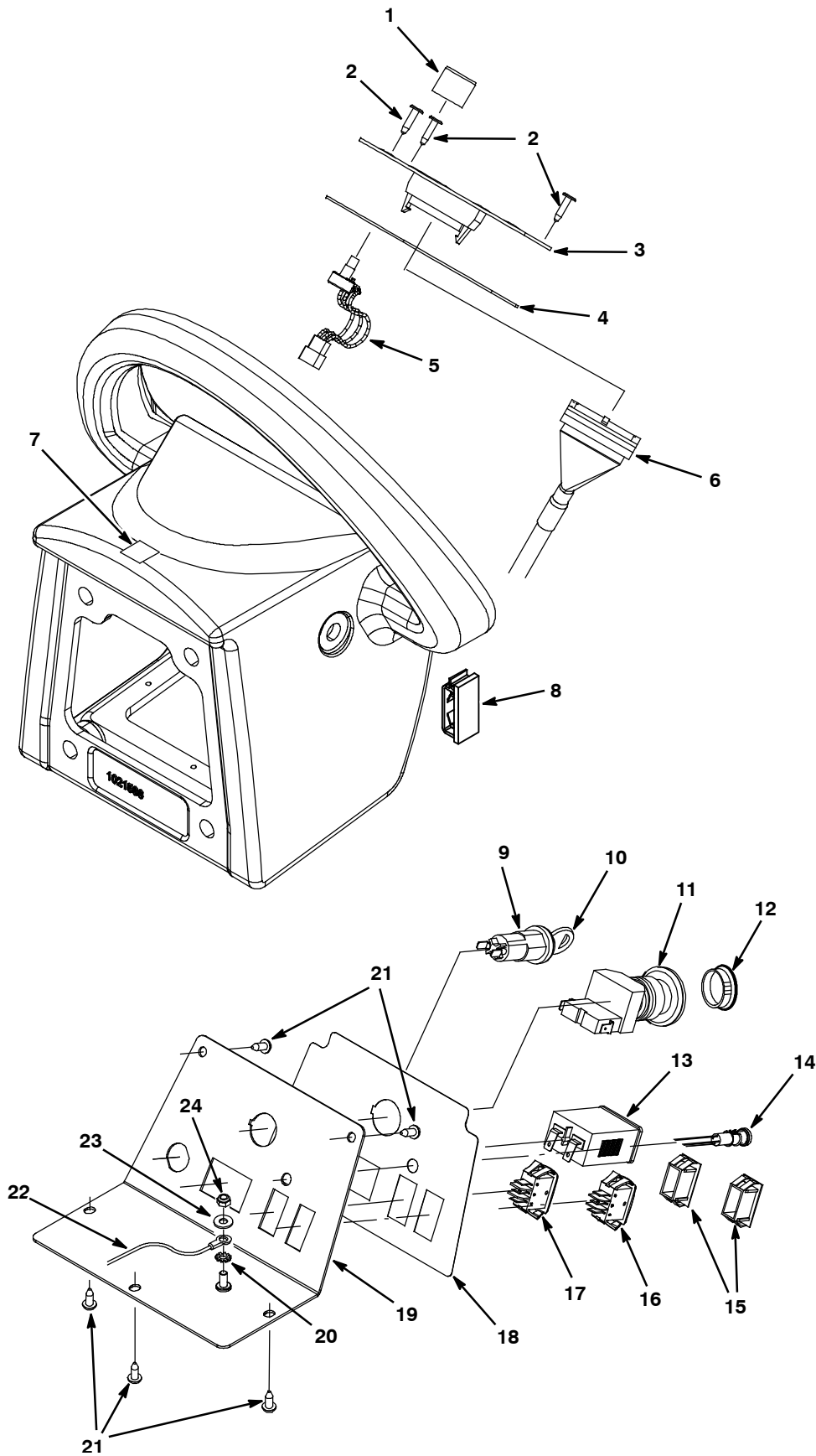
CONTROL CONSOLE GROUP

Ref.	Part No.	Serial Number	Description	Qty.	
1	1025121	(00000000-) Ring, Retaining, Hd Ext 19d Shaft	1	
2	630088	(00000000-) Spring, Tors, Cntr, .072mw, Zn	1	
3	1021904	(00000000-) Actuator, Drive, Bail	1	
4	1023869	(00000000-) Shaft Wldt, Actuator, Bail	1	
5	1015578	(00000000-) Screw, Set, M8 X 1.25 X 8, Cuppt, Ss, NI	4	
6	1020748	(00000000-) Lever Wldt, Bail, Console	1	
7	9002787	(00000000-) Housing Kit, Cntrl [T5] (Note: Before S/N 10548348 Also Order Kit 9008921)	1	
▽	8	9008921	(00000000- 10548347) Console Brkt Kit, Replmt [T5]	1	
▲	9	1067080	(00000000-) Shaft, Actuator, Forward / Reverse, Rev	1
▲	10	1035139	(10548348-) Ring, Retaining, Ext, 0.31d, E- Type	2
▲	11	1067122	(10548348-) Spacer, Flanged, Nylon, 8mm Id	2
▲	12	1065445	(10548348-) Bracket Wldt, Bail [T5]	1
	13	1015826	(00000000-) Plate, Screw, Bail	1
	14	07515	(00000000-) Washer, Lock, Int, 0.25 Ss	2
	15	15678	(00000000-) Screw, Hex, M6 X 1.0 X 16, Ss	2
	16	1020403	(00000000-) Gear, Spur, 24p, 24t	1
	17	222607	(00000000-) Nut, Hex, Thin, .38- 32	1
	18	43953	(00000000-) Washer, Lock, Int, 0.38 Ss	1
	19	32662	(00000000-) Washer, Flat, 0.38b 1.22d .06, Ss	1
	20	1015570	(00000000-) Bracket, Spring, Balancer, Bail	1
	21	1021853	(00000000-) Potentiometer Assy, Throttle	1
	22	49826	(00000000-) Screw, Hex, M8 X 1.25 X 16, Ss, NI	8
	23	01685	(00000000-) Washer, Flat, 0.31 Ss	8
	24	1022657	(00000000-) Bracket, Mtg, Console, T5	1
	25	1034731	(00000000-) Screw, Hex, M6 X 1.00 X 16, Sems, Ss	2
	26	130773	(00000000-) Tie, Cable, Nyl, 11.0l, .14w, 3.0 Max. D	5

▽ ASSEMBLY

▲ INCLUDED IN ASSEMBLY

CONTROL CONSOLE GROUP - CONT'D



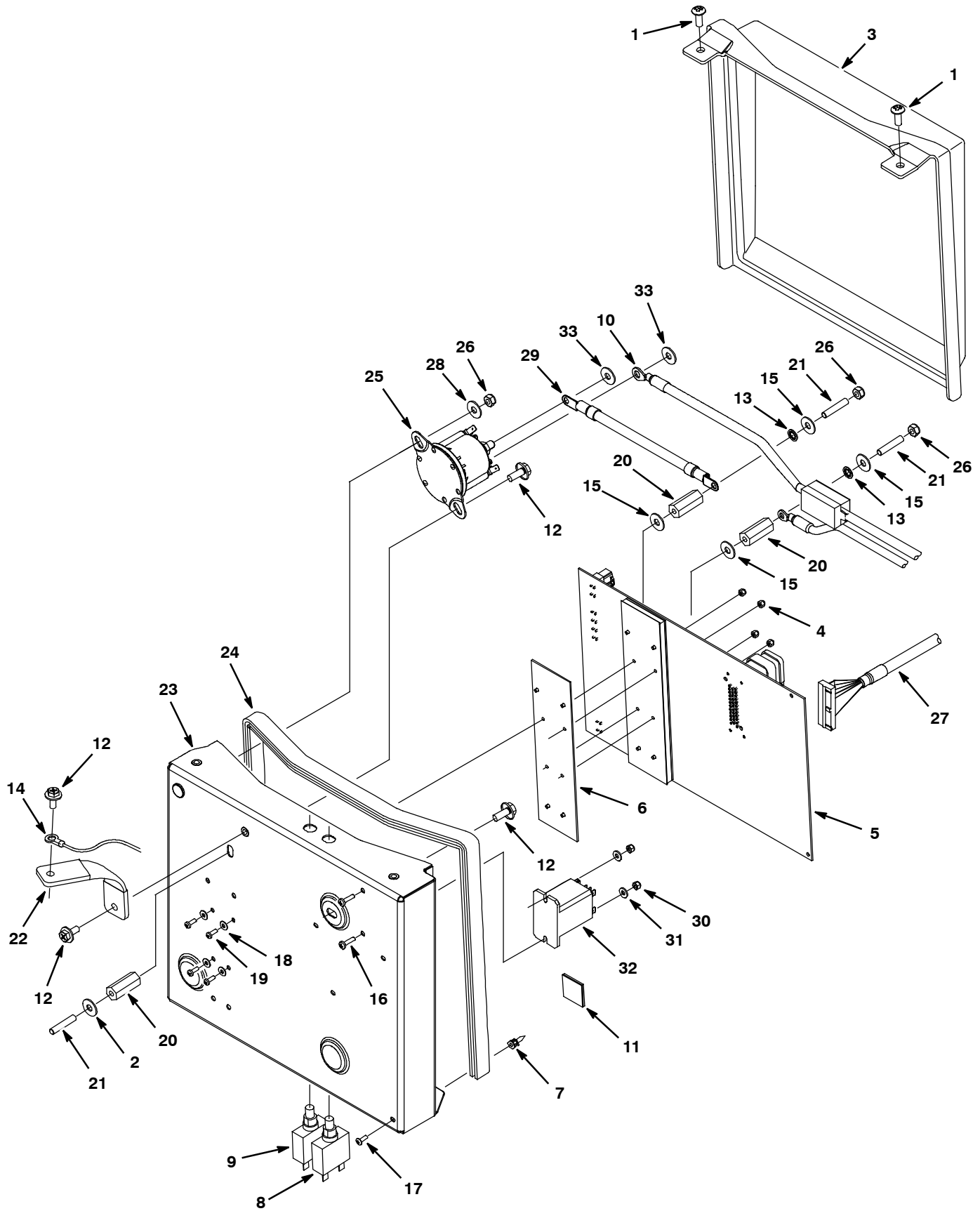
CONTROL CONSOLE GROUP - CONT'D

Ref.	Part No.	Serial Number	Description	Qty.	
1	606550	(00000000-) Knob, Rnd, 0.92d 0.76l 0.25b Plstc	1	
2	72969	(00000000-) Rivet, Plstc, .181d X 0.720	3	
▽	3	9002570	(00000000-) Kit, Panel, Upper Instmt	1
▲	4	1023554	(00000000-) Gasket, Panel, Upper	1
5	1022706	(00000000-) Potentiometer, Control, 0- 20k Assy	1	
6	1021778	(00000000-) Cable, Ribbon [T5]	1	
7	1016572	(00000000-) Label, Dir	1	
8	222666	(00000000- 10548348) Clamp, Cable, Ribbon, 1.25w 0.25h, Plstc	1	
▽	9	1011402	(00000000-) Switch, Key	1
▲	10	1017696	(00000000-) Key, Replmt, Set Of 2 [F/1011402]	1
11	1011735	(10536688-) Switch, Safety, Shutoff	1	
12	130161	(00000000- 10536687) Plug, Hole, Rnd, 0.875d, Blk (For Models Before S/N 10536688 w/out E- Stop Switch)	1	
13	1011282	(00000000-) Gauge, Hourmeter, 12- 60vdc, Analog,Rt,.1	1	
14	1041822	(10378380-) Light, Led, .312D, 5 Volt [Tri- Color] (ec- H2O Model)	1	
15	582150	(00000000-) Button, Plug, Accssry Switch	2	
16	130787	(00000000-) Switch, Rocker, V C A Spdt (Optional Wand)	1	
17	130787	(00000000-) Switch, Rocker, V C A Spdt (Fast & ec- H2O Models)	1	
18	1023883	(00000000-) Label, Opertnl, Lower (Standard & Fast Models)	1	
18	1050006	(10378380-) Label, Console, Lower Ec- H2o [T5]	1	
19	1041619	(00000000-) Panel, Instmt, Lower Bent [T5]	1	
20	140052	(00000000-) Washer, Lock, Ext, 0.25 Ss	1	
21	1009324	(00000000-) Screw, Pan, #10- 16 X 0.50, Phl,Ty- 17 Blk	5	
22	1031368	(00000000-) Wire, 12ga [Esd, Tubular Braid, T5]	1	
23	01683	(00000000-) Washer, Flat, #10 Ss	1	
24	09739	(00000000-) Nut, Hex, Lock, M5 X 0.8, NI, Ss	1	

▽ ASSEMBLY

▲ INCLUDED IN ASSEMBLY

COMPONENT PANEL GROUP (S/N 10632988-)



COMPONENT PANEL GROUP (S/N 10632988-)

Ref.	Part No.	Serial Number	Description	Qty.	
1	608322	(00000000-) Screw, Trs, M6 X 1.0 X 16, Phl, Ss	2	
2	01684	(00000000-) Washer, Flat, 0.25 Ss	2	
3	1022820	(00000000-) Cover, Electronics	1	
4	579211	(00000000-) Nut, Hex, Lock, M3 X .5, Ss	4	
▽	5	9012721	(00000000-) Circuitboard Kit, Logic [T5]	1
▲	27964	(00000000-) Strap, Static Ground, Disposable	1	
▲	6	1016816	(00000000-) Pad, Thermal, Heat Sink	1
▲	7	1016825	(00000000-) Support, Circuitboard	4
8	383720	(00000000-) Circuitbreaker, 05.0a	1	
9	383721	(00000000-) Circuitbreaker, 10.0a	1	
10	1067443	(10632988-) Harness, Battery, Fused, Us [T5]	1	
11	55248	(00000000-) Mount, Cable Tie	3	
12	1034731	(00000000-) Screw, Hex, M6 X 1.00 X 16, Sems, Ss	4	
13	32982	(10632988-) Washer, Lock, Int, 0.25	2	
14	1029310	(00000000-) Harness, Est	1	
15	1057560	(00000000-) Washer, Flat, M6.4b, X 16d X 1 PI	4	
16	24265	(10306157-) Screw, Pan, M4 X 0.7 X 16, Ss	2	
17	3701.6	(00000000-) Screw, Pan, #06- 32 X 0.38, Phl Ss Shtmtl	4	
18	1019218	(00000000-) Washer, Flat, 0.14b 0.31d, Nyl	4	
19	06922	(00000000-) Screw, Pan, M3 X 0.5 X 20, 4.8	4	
20	1002078	(00000000-) Spacer, .50x X 1.25l, M6 Thread	3	
21	1018559	(00000000-) Screw, Set, M6 X 1.0 X 30, Ss	3	
22	1029051	(00000000-) Strap, Static, Controller	1	
▽	23	9010098	(10632988-) Housing Kit, Ele [T5 New Relay]	1
▲	24	1008675	(00000000-) Gasket, Foam, Edge (Fr)	1
25	1066409	(10632988-) Relay, 24vdc, 150a, No [Trombetta]	1	
26	41359	(10632988-) Nut, Hex, Std, M6 X 1.0, 8	3	
27	1021778	(00000000-) Cable, Ribbon [T5]	1	
28	32490	(10632988-) Washer, Flat, 0.25, Std	1	
29	1067030	(10632988-) Cable, Controller, 210mml, Red [T5]	1	
30	33932	(10306157-) Nut, Hex, Lock, M4 X 0.70, NI, Ss	2	
31	19065	(10306157-) Washer, Flat, #08	2	
32	1001219	(10306157-) Relay, 24vdc, Dpdt	1	
33	1066493	(10632988-) Washer, Flat, 0.35b 0.75d .04, PI	2	

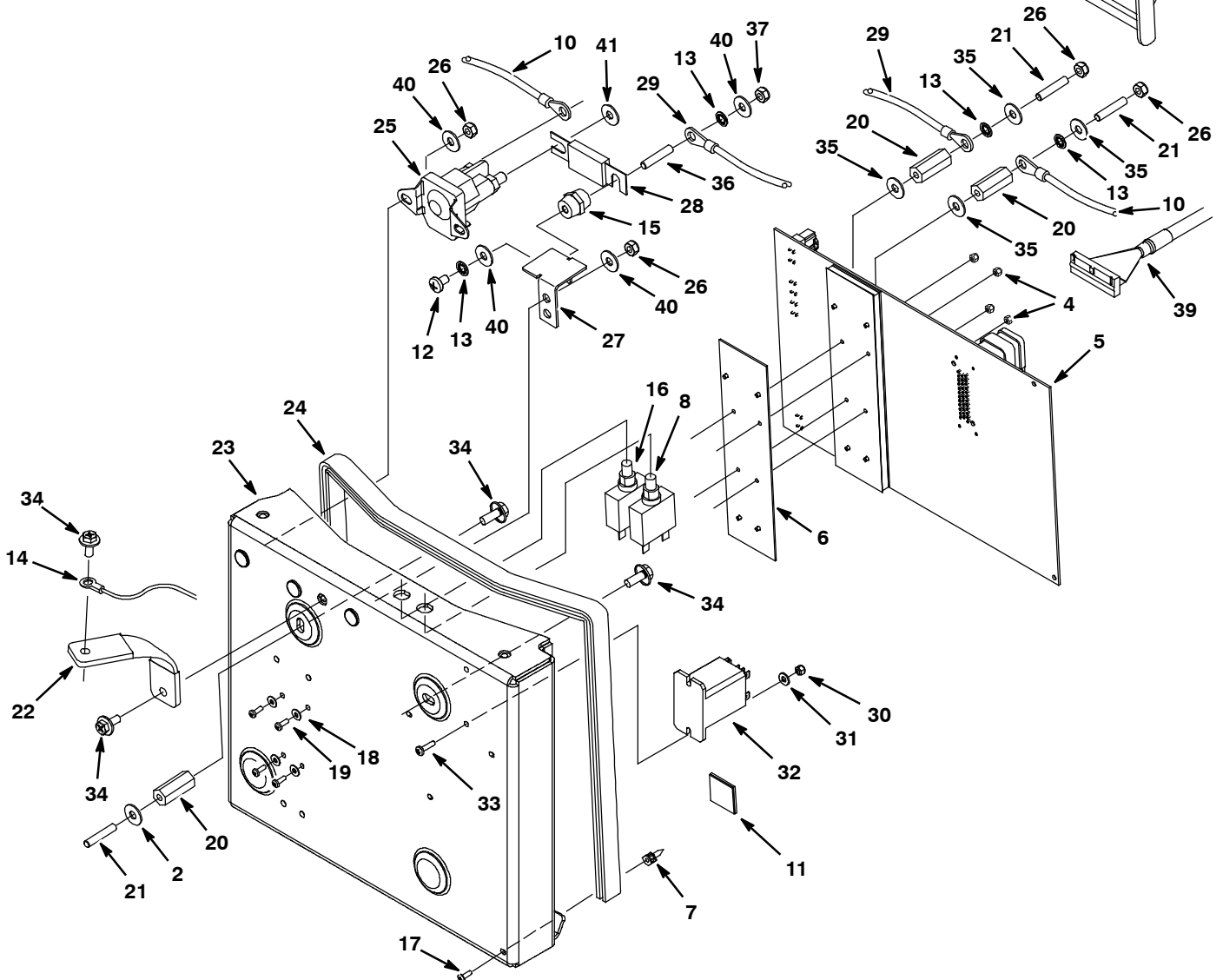
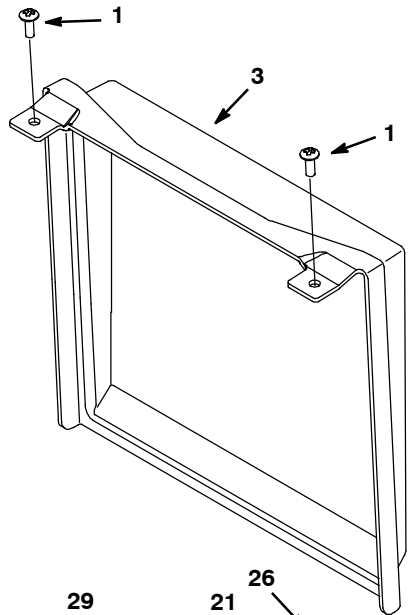
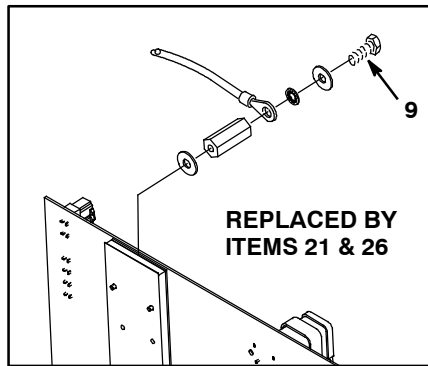
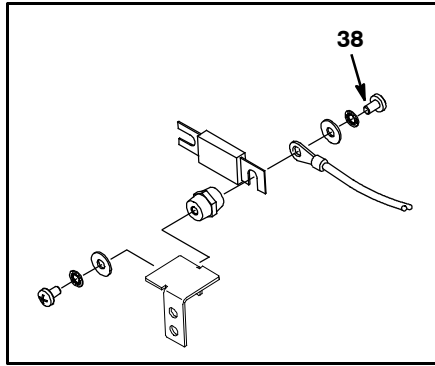
▽ ASSEMBLY

▲ INCLUDED IN ASSEMBLY

STANDARD PARTS

COMPONENT PANEL GROUP (S/N 0000000-10632987)

(S/N 00000000-10473939)



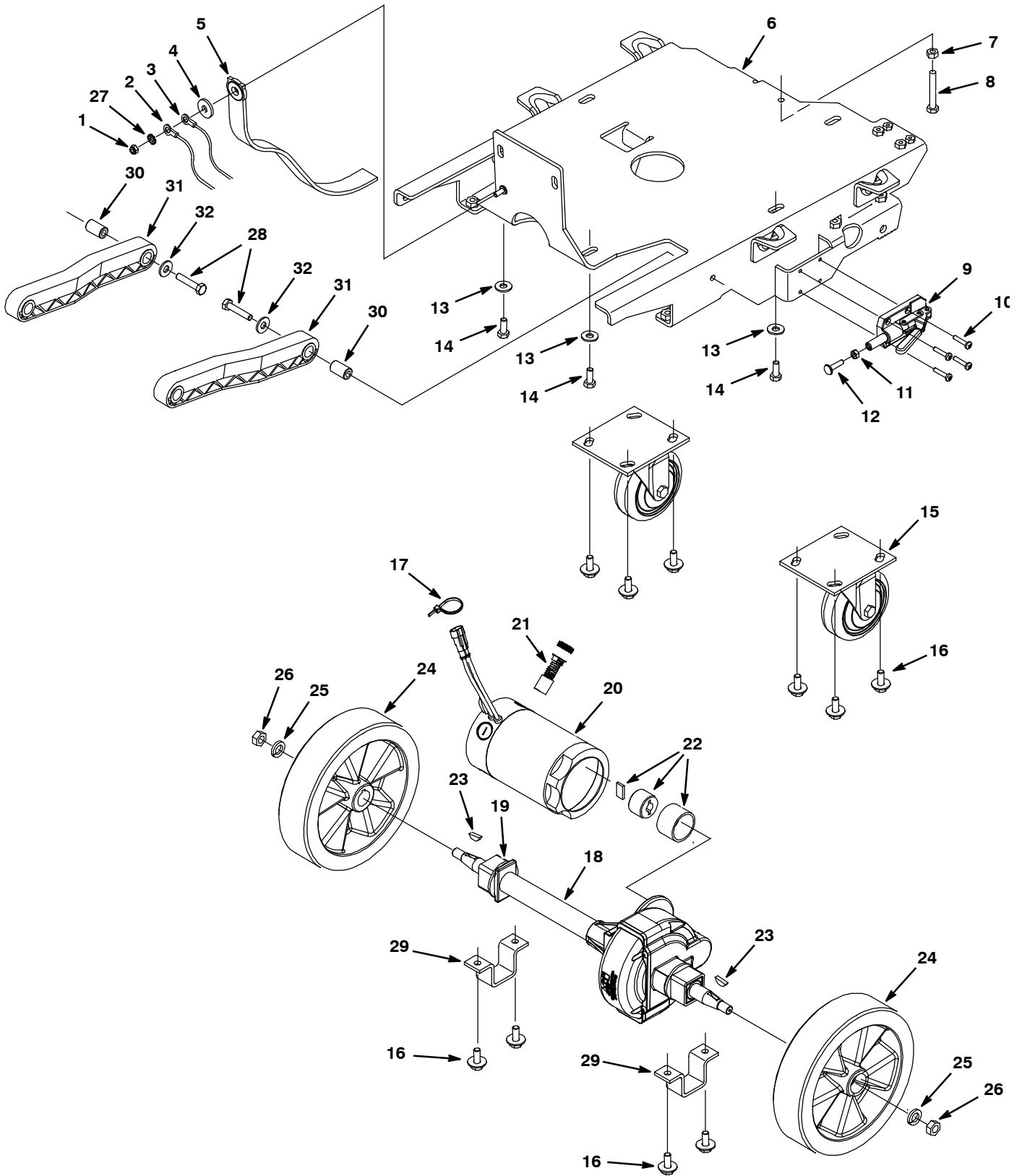
COMPONENT PANEL GROUP (S/N 0000000- 10632987)

Ref.	Part No.	Serial Number	Description	Qty.	
1	608322	(00000000-) Screw, Trs, M6 X 1.0 X 16, Phl, Ss	2	
2	01684	(00000000-) Washer, Flat, 0.25 Ss	1	
3	1022820	(00000000-) Cover, Electronics	1	
4	579211	(00000000-) Nut, Hex, Lock, M3 X .5, Ss	4	
▽	5	9008406	(00000000-) Circuitboard Kit, Logic [T5]	1
▲	27964	(00000000-) Strap, Static Ground, Disposable	1	
▲	6	1016816	(00000000-) Pad, Thermal, Heat Sink	1
▲	7	1016825	(00000000-) Support, Circuitboard	4
8	383720	(00000000-) Circuitbreaker, 05.0a	1	
9	11329	(00000000-) Screw, Hex, M6 X 1.0 X 16, Ss, NI	1	
10	1024479	(00000000- 10632987) Harness, Battery, Us	1	
11	55248	(00000000-) Mount, Cable Tie	3	
12	48732	(10473940- 10632987) Screw, Pan, M6 X 1.0 X 10, Ss	1	
13	32982	(00000000- 10632987) Washer, Lock, Int, 0.25	4	
14	1029310	(00000000-) Harness, Est	1	
15	1013523	(00000000- 10632987) Stand- Off, Wire, M6	1	
16	383721	(00000000-) Circuitbreaker, 10.0a	1	
17	3701.6	(00000000-) Screw, Pan, #06- 32 X 0.38, Phl Ss Shtmtl	4	
18	1019218	(00000000-) Washer, Flat, 0.14b 0.31d, Nyl	4	
19	06922	(00000000-) Screw, Pan, M3 X 0.5 X 20, 4.8	4	
20	1002078	(00000000-) Spacer, .50x X 1.25l, M6 Thread	3	
21	1018559	(00000000-) Screw, Set, M6 X 1.0 X 30, Ss	3	
22	1029051	(00000000-) Strap, Static, Controller	1	
▽	23	9002572	(00000000- 10632987) Kit, Housing, Electrical	1
▲	24	1008675	(00000000-) Gasket, Foam, Edge (Fr)	1
25	1038490	(00000000- 10632987) Relay, 24vdc, 100a, No [Trombetta]	1	
26	41359	(00000000- 10632987) Nut, Hex, Std, M6 X 1.0, 8	2	
27	1023868	(00000000- 10632987) Bracket, Stand- Off	1	
28	86379	(00000000- 10632987) Fuse, .88 X 3.2l 100a 125vac	1	
29	1024511	(00000000- 10632987) Cable, Cntrl Red	1	
30	33932	(10306157-) Nut, Hex, Lock, M4 X 0.70, NI, Ss	2	
31	19065	(10306157-) Washer, Flat, #08	2	
32	1001219	(10306157-) Relay, 24vdc, Dpdt	1	
33	24265	(10306157-) Screw, Pan, M4 X 0.7 X 16, Ss	2	
34	1034731	(00000000-) Screw, Hex, M6 X 1.00 X 16, Sems, Ss	4	
35	1057560	(00000000-) Washer, Flat, M6.4b, X 16d X 1 PI	4	
36	1018559	(10473940- 10632987) Screw, Set, M6 X 1.0 X 30, Ss	1	
37	07785	(10473940- 10632987) Nut, Hex, Std, M6 X 1.00, Ss	1	
38	48732	(00000000- 10473939) Screw, Pan, M6 X 1.0 X 10, Ss (Replaced By #36 & #37)	1	
39	1021778	(00000000-) Cable, Ribbon [T5]	1	
40	32490	(00000000- 10632987) Washer, Flat, 0.25, Std	6	
41	1066493	(00000000-) Washer, Flat, 0.35b 0.75d .04, PI	1	

▽ ASSEMBLY

▲ INCLUDED IN ASSEMBLY

DRIVE GROUP



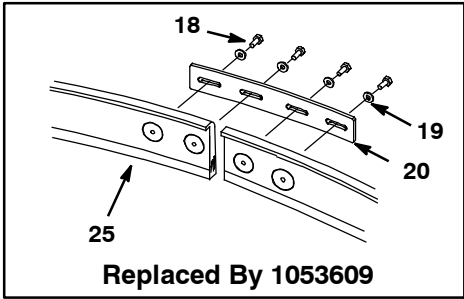
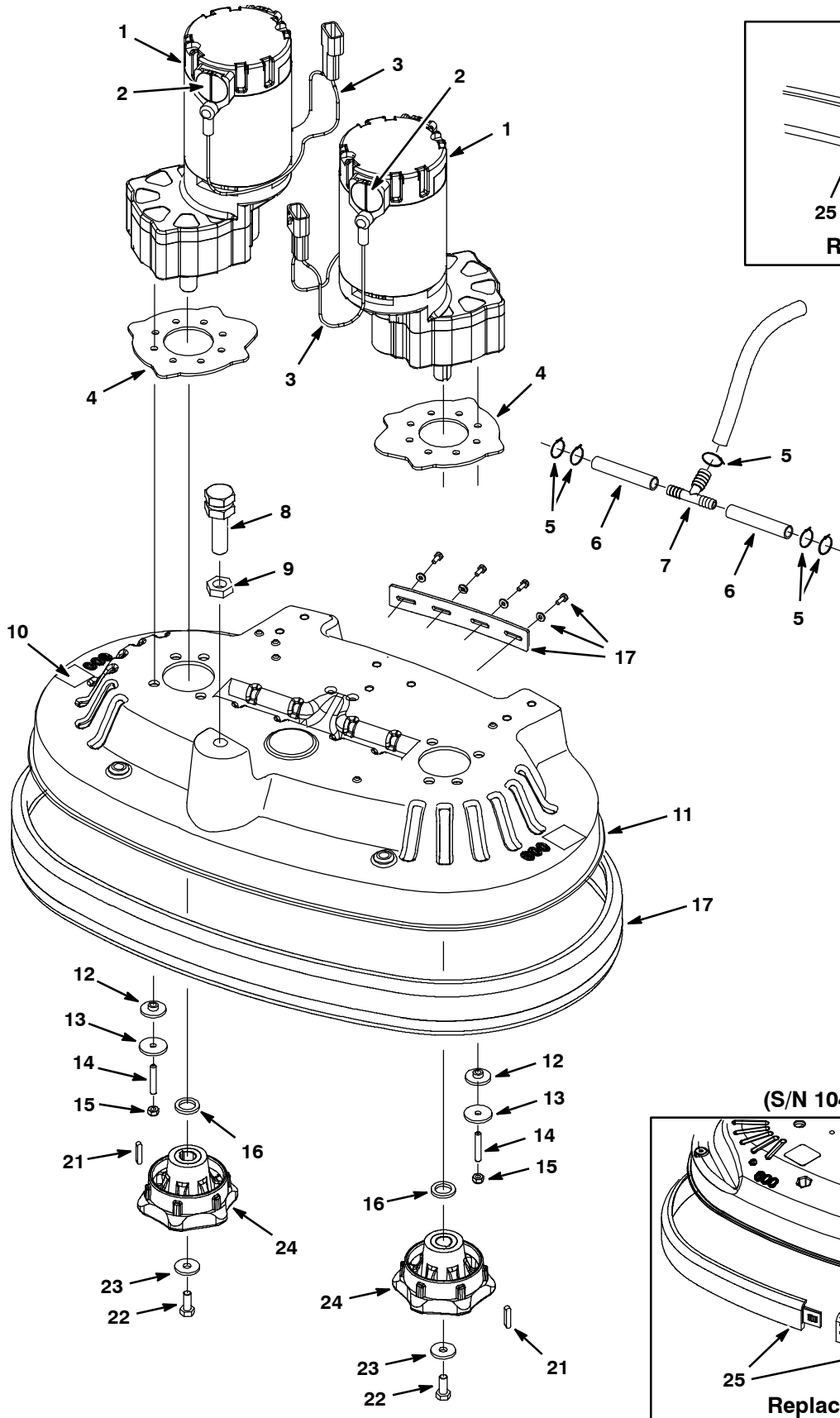
DRIVE GROUP

Ref.	Part No.	Serial Number	Description	Qty.
1	08712	(00000000-) Nut, Hex, Lock, M6 X 1.0, Ss, NI	1
2	1031370	(00000000-) Wire, 12 Awg X 250mm	1
3	1029310	(00000000-) Harness, Ground, 12 Awg	1
4	140053	(00000000-) Washer, Flat, 0.28b 0.88d .12, Ss	1
5	1029181	(00000000-) Strap, Static	1
6	1020959	(00000000-) Frame Wldt, Transaxle	1
7	07786	(00000000-) Nut, Hex, Std, M8 X 1.25, Ss	1
8	222504	(00000000-) Screw, Hex, M8 X 1.25 X 55, Ss	1
9	1022878	(00000000-) Clamp, Str, 30mm Strk (Optional)	1
10	55845	(00000000-) Screw, Hex, M5 X 0.80 X 16, Fmg	4
11	07785	(00000000-) Nut, Hex, Std, M6 X 1.0, A2, Ss	1
12	1017416	(00000000-) Screw, Weld, M06 X 1.00 X 25, Thru, Ss	1
13	1016331	(00000000-) Washer, Flat, 0.34b 1.25d .11, Ss	5
14	12273	(00000000-) Screw, Hex, M8 X 1.25 X 20, Ss, NI	5
15	1049048	(00000000-) Caster, Swivel, 4.0d 1.4w, 4hole [400lb]	2
16	1020341	(00000000-) Screw, Hex, M8 X 1.25 X 20, Ss, Sems	12
17	130773	(00000000-) Tie, Cable, Nyl, 11.0l, .14w, 3.0 Max. D	4
▽	18	1021168	(00000000-) Transaxle, 24vdc, 110rpm [Asi]	1
▲	19	612880	(00000000-) Sleeve, Transaxle, Replmt	2
▲▽	20	1031723	(00000000-) Motor, Transaxle, 24vdc, Replmt, Asi	1
▲▲	21	614166	(00000000-) Brush Kit, Carbon [Qty 4]	1
▲	22	1017782	(00000000-) Coupling Kit, Transaxle, Replmt [11057]	1
▲	23	1021167	(00000000-) Key, Woodruff, 5mm	2
▽		9004909	(00000000-) Wheel Kit, Solid, Ci [T5 T5e Ss5]	1
▲	24	1020688	(00000000-) Wheel, Scrbr, 213.00mm With Taper	2
	25	140024	(00000000-) Washer, Lock, Splt, 0.50, Ss	2
	26	07788	(00000000-) Nut, Hex, Std, M12 X 1.75, Ss	2
	27	140052	(00000000-) Washer, Lock, Ext, 0.25 Ss	1
	28	74440	(00000000-) Screw, Hex, M8 X 1.25 X 40, Ss, NI	2
	29	606001	(00000000-) Bracket, Transaxle, Mtg, Ylw Zn	2
	30	606056	(00000000-) Tube, 00.62d 00.32b 01.0l Stl Plt	2
	31	222027	(00000000-) Arm, Lift, Head	2
	32	01685	(00000000-) Washer, Flat, 0.31 Ss	2
	N/S	1024588	(00000000-) Harness, Chassis, Wire, Us	1

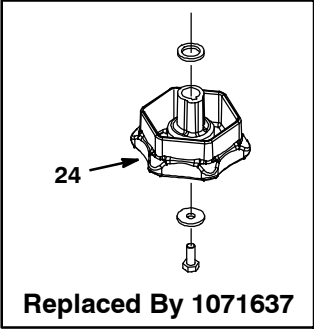
▽ ASSEMBLY

▲ INCLUDED IN ASSEMBLY

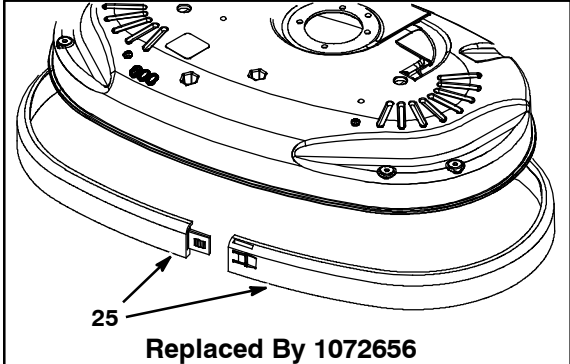
SCRUB HEAD GROUP, DISK 24 in / 600 mm



(S/N 0000000- 10618020)



(S/N 10443636- xxxxxxxx)



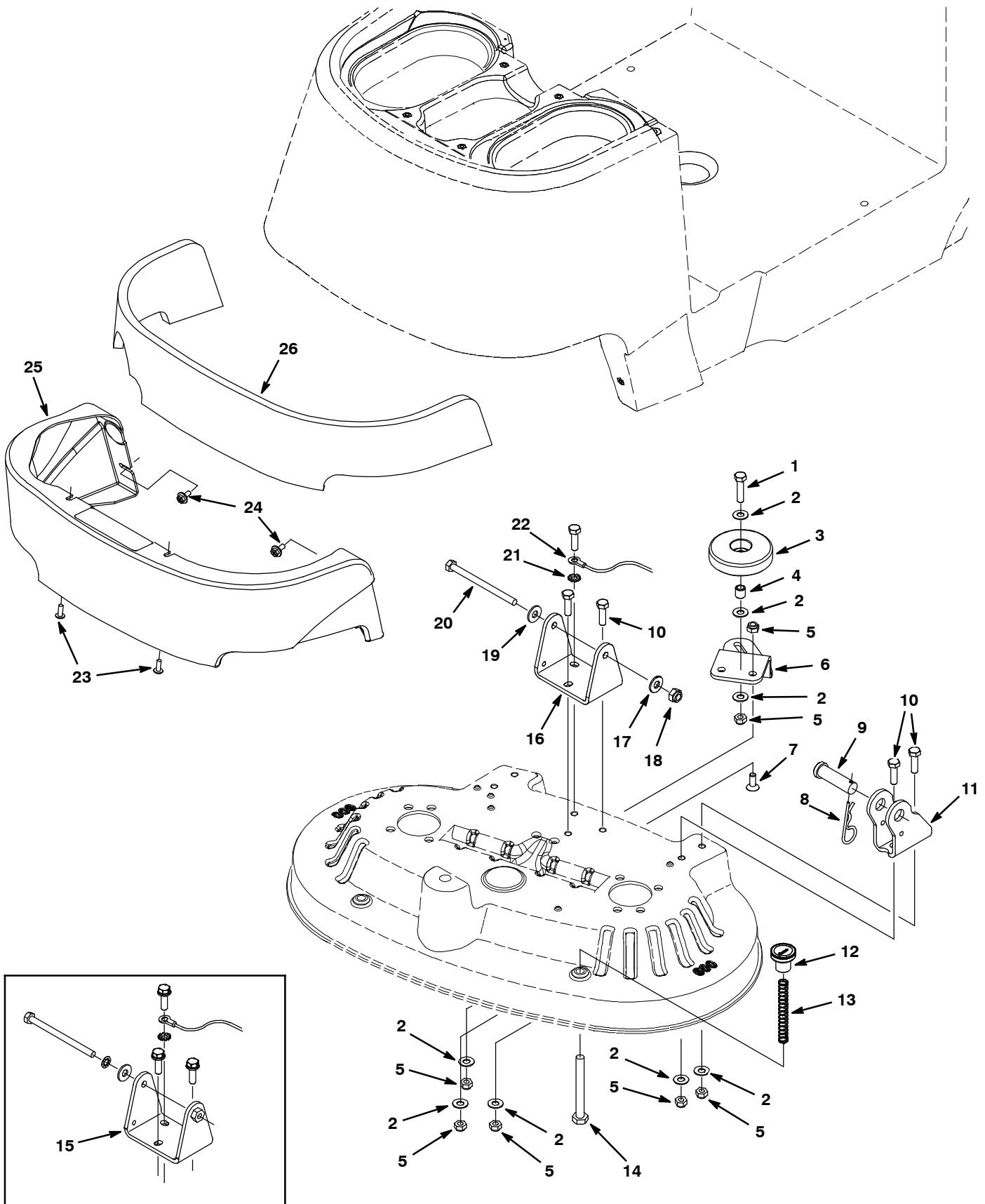
SCRUB HEAD GROUP, DISK 24 in / 600 mm

Ref.	Part No.	Serial Number	Description	Qty.
▽	1	1023067	(00000000-) Motor, Gearbox,24vdc, 220rpm, 0.75hp	2
▲	2	1031775	(00000000-) Brush, Brush- Motor, Afmkt	1
▲	3	1031681	(00000000-) Harness, Connector, Brush- Motor- Us	1
	4	1024321	(00000000-) Spacer, Rbr, Motor	2
	5	130773	(00000000-) Tie, Cable, Nyl, 11.0l, .14w, 3.0 Max. D	7
	6	606362	(00000000-) Hose 3/8IdX5/8OdX6.5 (611254)	2
	7	1022556	(00000000-) Fitting, Plstc, Tee, Bm06/Bm06/Bm08	1
	8	1022424	(00000000-) Stud, Adj, M16, Scrub Head	1
	9	763066	(00000000-) Nut, Hex, Jam, M16 X 2.0	1
	10	578769	(00000000-) Label, Moving Parts	2
	11	1022402	(00000000-) Housing, Casting, Head, 60cm, Mach	1
	12	1025160	(00000000-) Grommet, Isolator, 6b X 10od X 26.0fl	8
	13	386063	(00000000-) Washer, Flat, 0.25b 1.12d .12, Ss	8
	14	1025853	(00000000-) Screw, Set, M6 X 1.00 X 35, Ss, NI	8
	15	08712	(00000000-) Nut, Hex, Lock, M6 X 1.0, Ss, NI	8
	16	1022549	(00000000-) Spacer, Shaft, 17.15b, 25.0d, 3.0t	2
	17	1072656	(xxxxxxx-) Bumper, Head, 60cm, Bristle Skirt (Includes Mounting Hardware & Retaining Strap)	1
	18	1020234	(00000000- 10443635) Screw, Hex, M4 X 0.7 X 10, Ss	4
	19	41578	(00000000- 10443635) Washer, Flat, #06 Ss	4
	20	1023573	(00000000- 10443635) Strap, Retaining, Skirt (Replaced by 1053609)	1
	21	1014328	(00000000-) Key, Sq, 05mm X 05mm, 25l	2
	22	12273	(00000000-) Screw, Hex, M8 X 1.25 X 20, Ss, NI	2
	23	1016331	(00000000-) Washer, Flat, 0.34b 1.25d .11, Ss	2
	24	1071637	(10618021-) Hub, Drive, Brush, Disk, 17mmb	2
	24	1022550	(00000000- 10618020) Hub, Drive, Brush, Disk, 17mm (Replaced by 1071637)	2
	25	1053609	(10443636- xxxxxxxx) Bumper, Head, 60cm, Bristle Skirt (Replaced by 1072656)	1
	25	1024938	(00000000- 10443635) Bumper, Head, 60cm, Bristle Skirt, Assy (Replaced by 1053609)	1

▽ ASSEMBLY

▲ INCLUDED IN ASSEMBLY

SCRUB HEAD GROUP, DISK 24 in / 600 mm - CONT'D



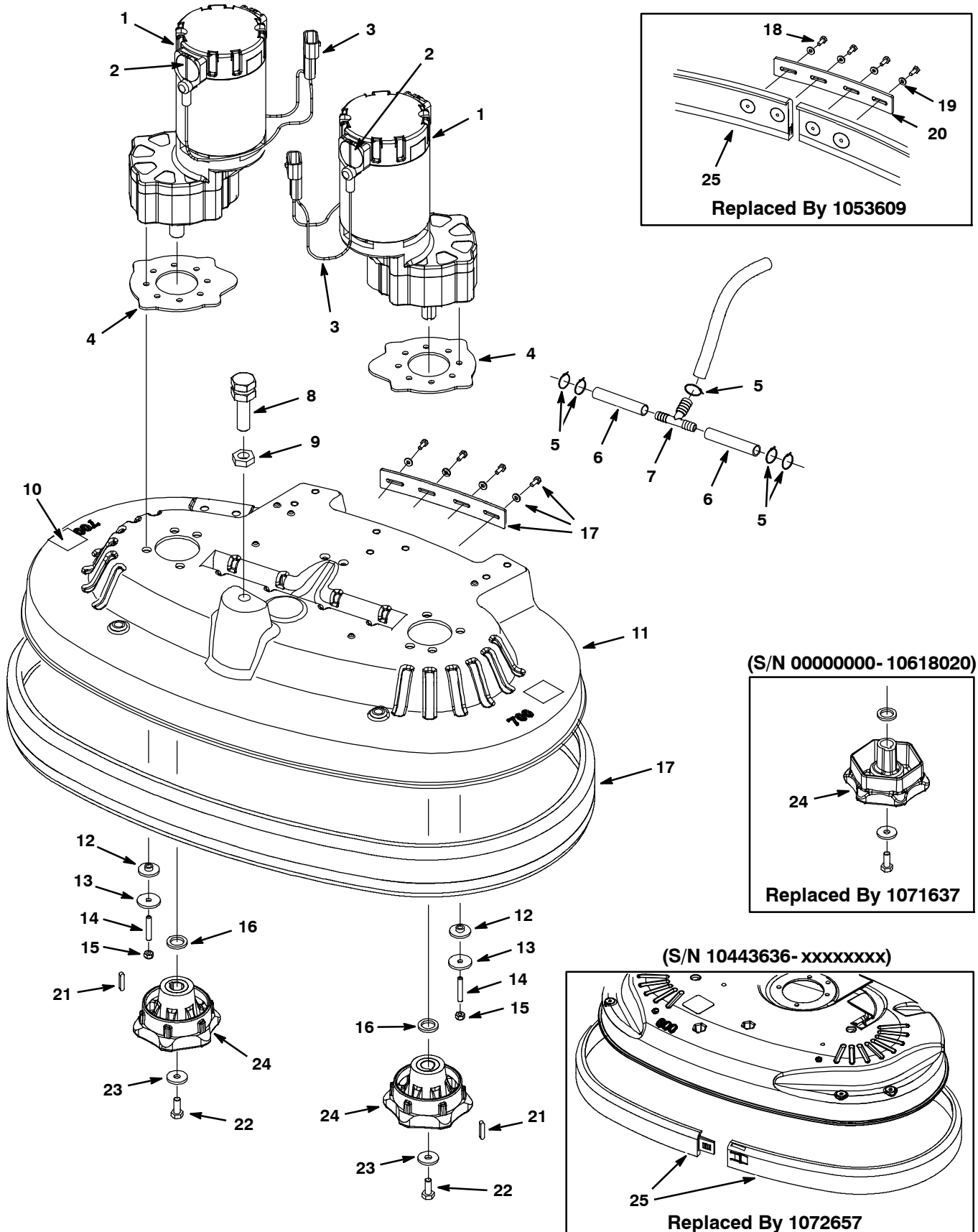
SCRUB HEAD GROUP, DISK 24 in / 600 mm - CONT'D

Ref.	Part No.	Serial Number	Description	Qty.	
1	09023	(00000000-) Screw, Hex, M8 X 1.25 X 35, Ss, Fl	1	
2	140027	(00000000-) Washer, Flat, 0.35b 0.75d .04, Ss	10	
3	1010560	(00000000-) Wheel, Bmpr, 80d X 25w, Non- Marking	1	
4	222460	(00000000-) Sleeve, P/M, 0.496d 0.318b 0.50l 430ss	1	
5	08713	(00000000-) Nut, Hex, Lock, M8 X 1.25, Ni, Ss	10	
6	1022344	(00000000-) Bracket, Roller, Wall, Scrubhead, 60cm	1	
7	79246	(00000000-) Screw, Flt, M8 X 1.25 X 20, Ss 18- 8	2	
8	02942	(00000000-) Pin, Hair Cotter, 0.62 D .120 Wir	2	
9	222210	(00000000-) Pin, Clevis, 0.62 D X 2.12l	2	
10	09011	(00000000-) Screw, Hex, M8 X 1.25 X 30, Ss	7	
11	1022227	(00000000-) Bracket, Link, Scrubhead	2	
12	1024179	(00000000-) Knob, Knurled, M10 Thread	2	
13	626081	(00000000-) Spring, Cmpr, 12.1d, 0.9w, 90.0l	2	
14	09746	(00000000-) Screw, Hex, M10 X 1.5 X 90, Ss	2	
15	N/A	(00000000- 10325113) (Replaced By Items #16, 17, & 18)	1	
16	1036022	(10325114-) Bracket, Mtg, Actuator, Scb Head	1	
17	01685	(10325114-) Washer, Flat, 0.31 Ss	1	
18	08713	(10325114-) Nut, Hex, Lock, M8 X 1.25, Ni, Ss	1	
19	01685	(00000000-) Washer, Flat, 0.31 Ss	1	
20	364441	(00000000-) Screw, Hex, M8 X 1.25 X 110, Ss	1	
21	43952	(00000000-) Washer, Lock, Int, 0.31, Ss	1	
22	1031370	(00000000-) Wire, 12 Awg X 250mm	1	
23	608322	(00000000-) Screw, Trs, M6 X 1.0 X 16, Phl, Ss	2	
24	1034731	(00000000-) Screw, Hex, M6 X 1.00 X 16, Sems, Ss	2	
▽	25	9002676	(00000000-) Kit, Cover, Disc- Head	1
▲	26	1024437	(00000000-) Insulation, Sound, Front	1

▽ ASSEMBLY

▲ INCLUDED IN ASSEMBLY

SCRUB HEAD GROUP, DISK 28 in / 700 mm



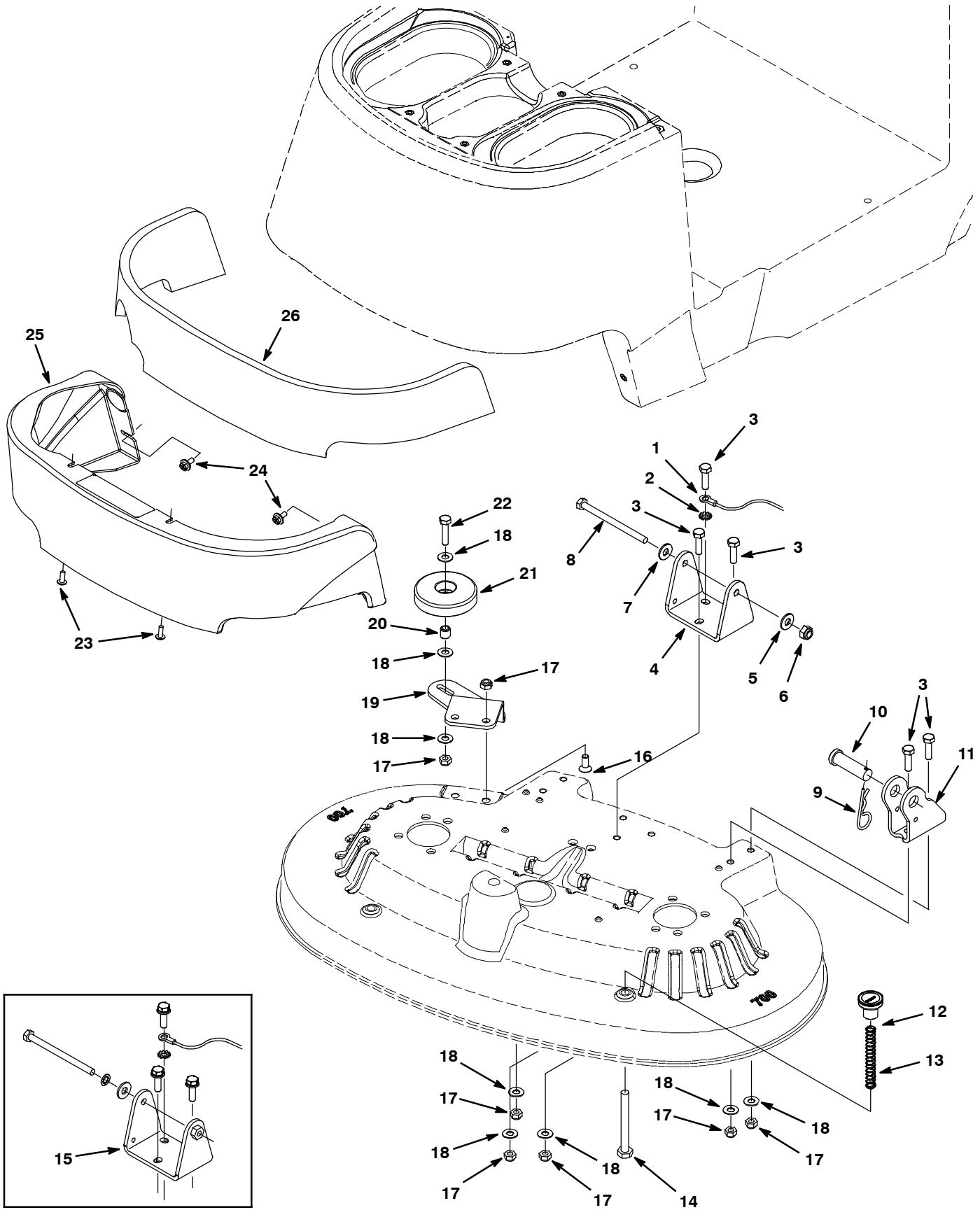
SCRUB HEAD GROUP, DISK 28 in / 700 mm

Ref.	Part No.	Serial Number	Description	Qty.
▽	1	1023067	(00000000-) Motor, Gearbox,24vdc, 220rpm, 0.75hp	2
▲	2	1031775	(00000000-) Brush, Brush- Motor, Afmkt	1
▲	3	1031681	(00000000-) Harness, Connector, Brush- Motor- Us	1
	4	1024321	(00000000-) Spacer, Rbr, Motor	2
	5	130773	(00000000-) Tie, Cable, Nyl, 11.0l, .14w, 3.0 Max. D	7
	6	606362	(00000000-) Hose 3/8IdX5/8OdX6.5 (611254)	2
	7	1022556	(00000000-) Fitting, Plstc, Tee, Bm06/Bm06/Bm08	1
	8	1022424	(00000000-) Stud, Adj, M16, Scrub Head	1
	9	763066	(00000000-) Nut, Hex, Jam, M16 X 2.0	1
	10	578769	(00000000-) Label, Moving Parts	2
	11	1023182	(00000000-) Housing, Casting, Head, 70cm, Mach	1
	12	1025160	(00000000-) Grommet, Isolator, 6b X 10od X 26.0fl	8
	13	386063	(00000000-) Washer, Flat, 0.25b 1.12d .12, Ss	8
	14	1025853	(00000000-) Screw, Set, M6 X 1.00 X 35, Ss, NI	8
	15	08712	(00000000-) Nut, Hex, Lock, M6 X 1.0, Ss, NI	8
	16	1022549	(00000000-) Spacer, Shaft, 17.15b, 25.0d, 3.0t	2
	17	1072657	(xxxxxxx-) Bumper, Head, 70cm, Bristle Skirt (Includes Mounting Hardware & Retaining Strap)	1
	18	1020234	(00000000- 10446231) Screw, Hex, M4 X 0.7 X 10, Ss	4
	19	41578	(00000000- 10446231) Washer, Flat, #06 Ss	4
	20	1023573	(00000000- 10446231) Strap, Retaining, Skirt (Replaced by 1053613)	1
	21	1014328	(00000000-) Key, Sq, 05mm X 05mm, 25l	2
	22	12273	(00000000-) Screw, Hex, M8 X 1.25 X 20, Ss, NI	2
	23	1016331	(00000000-) Washer, Flat, 0.34b 1.25d .11, Ss	2
	24	1071637	(10618021-) Hub, Drive, Brush, Disk, 17mmb	2
	24	1022550	(00000000- 10618020) Hub, Drive, Brush, Disk, 17mm (Replaced by 1071637)	2
	25	1053613	(10446232- xxxxxxxx) Bumper, Head, 70cm, Bristle Skirt (Replaced by 1072657)	1
	25	1023802	(00000000- 10446231) Bumper, Head, 70cm, Bristle Skirt, Assy (Replaced by 1053613)	1

▽ ASSEMBLY

▲ INCLUDED IN ASSEMBLY

SCRUB HEAD GROUP, DISK 28 in / 700 mm - CONT'D



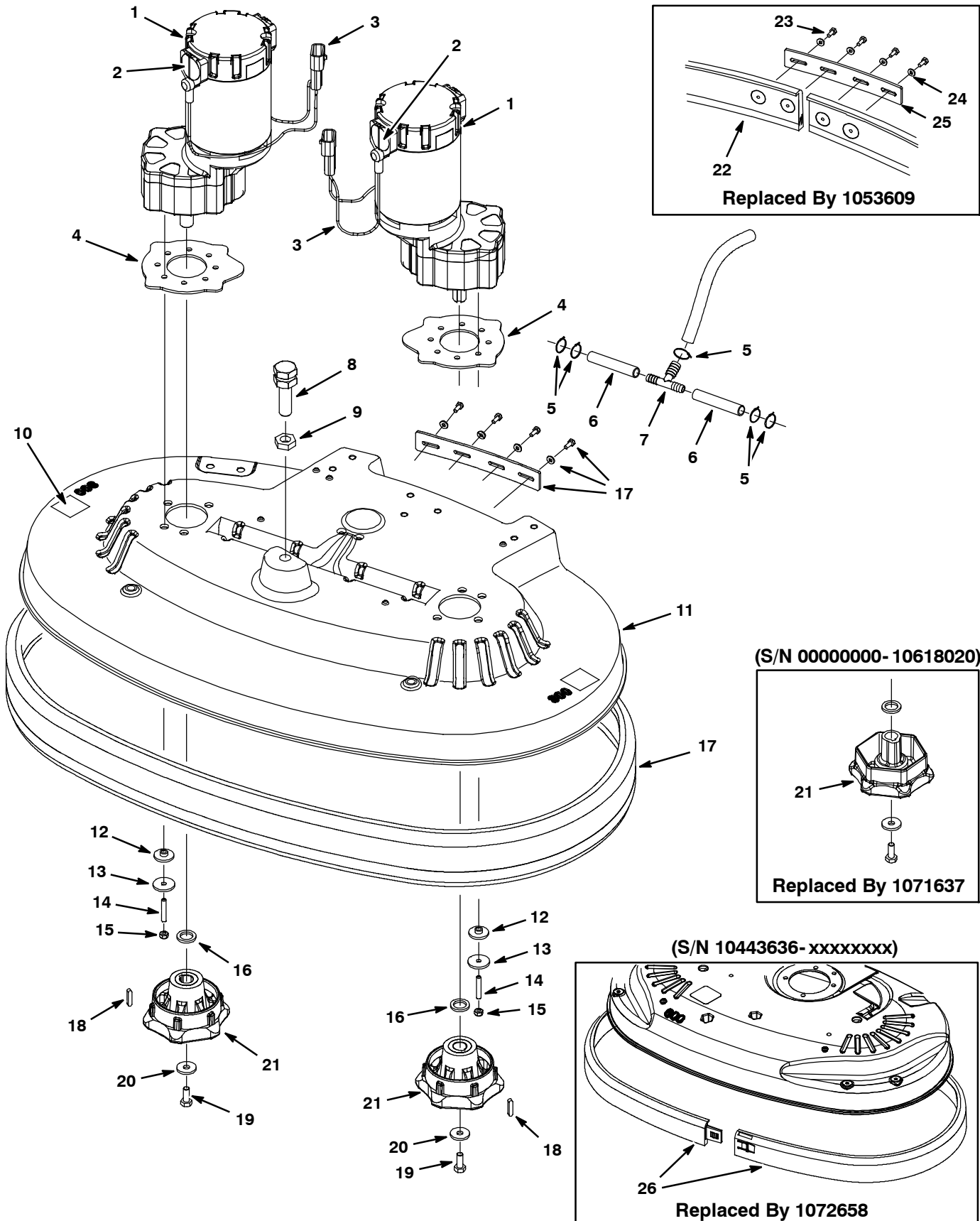
SCRUB HEAD GROUP, DISK 28 in / 700 mm - CONT'D

Ref.	Part No.	Serial Number	Description	Qty.	
1	1031370	(00000000-) Wire, 12 Awg X 250mm	1	
2	43952	(00000000-) Washer, Lock, Int, 0.31, Ss	1	
3	09011	(00000000-) Screw, Hex, M8 X 1.25 X 30, Ss	7	
4	1036022	(10325114-) Bracket, Mtg, Actuator, Scb Head	1	
5	01685	(10325114-) Washer, Flat, 0.31 Ss	1	
6	08713	(10325114-) Nut, Hex, Lock, M8 X 1.25, NI, Ss	1	
7	01685	(00000000-) Washer, Flat, 0.31 Ss	1	
8	364441	(00000000-) Screw, Hex, M8 X 1.25 X 110, Ss	1	
9	02942	(00000000-) Pin, Hair Cotter, 0.62 D .120 Wir	2	
10	222210	(00000000-) Pin, Clevis, 0.62 D X 2.12l	2	
11	1022227	(00000000-) Bracket, Link, Scrubhead	2	
12	1024179	(00000000-) Knob, Knurled, M10 Thread	2	
13	626081	(00000000-) Spring, Cmpr, 12.1d, 0.9w, 90.0l	2	
14	09746	(00000000-) Screw, Hex, M10 X 1.5 X 90, Ss	2	
15	N/A	(00000000- 10325113) (Replaced By Items #4, 5, & 6)	1	
16	79246	(00000000-) Screw, Flt, M8 X 1.25 X 20, Ss 18- 8	2	
17	08713	(00000000-) Nut, Hex, Lock, M8 X 1.25, NI, Ss	10	
18	140027	(00000000-) Washer, Flat, 0.35b 0.75d .04, Ss	10	
19	1023268	(00000000-) Bracket, Roller, Wall, Scb Head, 70cm	1	
20	222460	(00000000-) Sleeve, P/M, 0.496d 0.318b 0.50l 430ss	1	
21	1010560	(00000000-) Wheel, Bmpr, 80d X 25w, Non- Marking	1	
22	09023	(00000000-) Screw, Hex, M8 X 1.25 X 35, Ss, Fl	1	
23	608322	(00000000-) Screw, Trs, M6 X 1.0 X 16, Phl, Ss	2	
24	1034731	(00000000-) Screw, Hex, M6 X 1.00 X 16, Sems, Ss	2	
▽	25	9002676	(00000000-) Kit, Cover, Disc- Head	1
▲	26	1024437	(00000000-) Insulation, Sound, Front	1

▽ ASSEMBLY

▲ INCLUDED IN ASSEMBLY

SCRUB HEAD GROUP, DISK 32 in / 800 mm



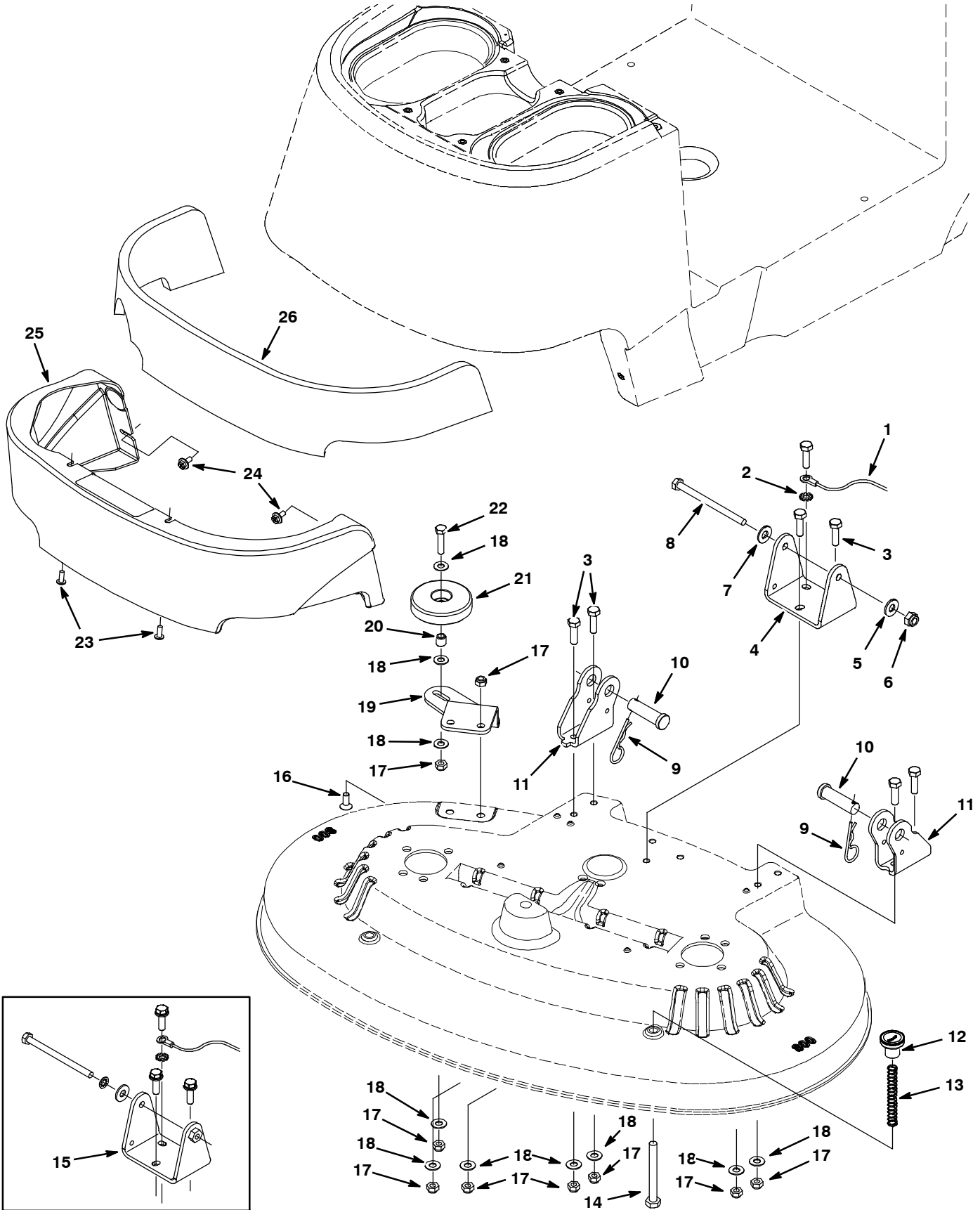
SCRUB HEAD GROUP, DISK 32 in / 800 mm

Ref.	Part No.	Serial Number	Description	Qty.
▽	1	1023067	(00000000-) Motor, Gearbox,24vdc, 220rpm, 0.75hp	2
▲	2	1031775	(00000000-) Brush, Brush- Motor, Afmkt	1
▲	3	1031681	(00000000-) Harness, Connector, Brush- Motor- Us	1
	4	1024321	(00000000-) Spacer, Rbr, Motor	2
	5	130773	(00000000-) Tie, Cable, Nyl, 11.0l, .14w, 3.0 Max. D	7
	6	606885	(00000000-) Hose 3/8idx5/8odx7.75 (611254)	2
	7	1022556	(00000000-) Fitting, Plstc, Tee, Bm06/Bm06/Bm08	1
	8	1022424	(00000000-) Stud, Adj, M16, Scrub Head	1
	9	763066	(00000000-) Nut, Hex, Jam, M16 X 2.0	1
	10	578769	(00000000-) Label, Moving Parts	2
	11	1023697	(00000000-) Housing, Casting, Head, 80cm, Mach	1
	12	1025160	(00000000-) Grommet, Isolator, 6b X 10od X 26.0fl	8
	13	386063	(00000000-) Washer, Flat, 0.25b 1.12d .12, Ss	8
	14	1025853	(00000000-) Screw, Set, M6 X 1.00 X 35, Ss, NI	8
	15	08712	(00000000-) Nut, Hex, Lock, M6 X 1.0, Ss, NI	8
	16	1022549	(00000000-) Spacer, Shaft, 17.15b, 25.0d, 3.0t	2
	17	1072658	(xxxxxxx-) Bumper, Head, 80cm, Bristle Skirt (Includes Mounting Hardware & Retaining Strap)	1
	18	1014328	(00000000-) Key, Sq, 05mm X 05mm, 25l	2
	19	12273	(00000000-) Screw, Hex, M8 X 1.25 X 20, Ss, NI	2
	20	1016331	(00000000-) Washer, Flat, 0.34b 1.25d .11, Ss	2
	21	1071637	(10618021-) Hub, Drive, Brush, Disk, 17mmb	2
	21	1022550	(00000000- 10618020) Hub, Drive, Brush, Disk, 17mm (Replaced by 1071637)	2
▽	22	1024941	(00000000- 10423044) Bumper Assy, Skirt, Scb Head, 80cm (Replaced by 1053618)	1
▲	23	1020234	(00000000- 10423044) Screw, Hex, M4 X 0.7 X 10, Ss	4
▲	24	41578	(00000000- 10423044) Washer, Flat, #06 Ss	4
▲	25	1023573	(00000000- 10423044) Strap, Retaining, Skirt (Replaced by 1053618)	1
	26	1053618	(10423045- xxxxxxxx) Bumper, Head, 80cm, Bristle Skirt (Replaced by 1072658)	1

▽ ASSEMBLY

▲ INCLUDED IN ASSEMBLY

SCRUB HEAD GROUP, DISK 32 in / 800 mm - CONT'D



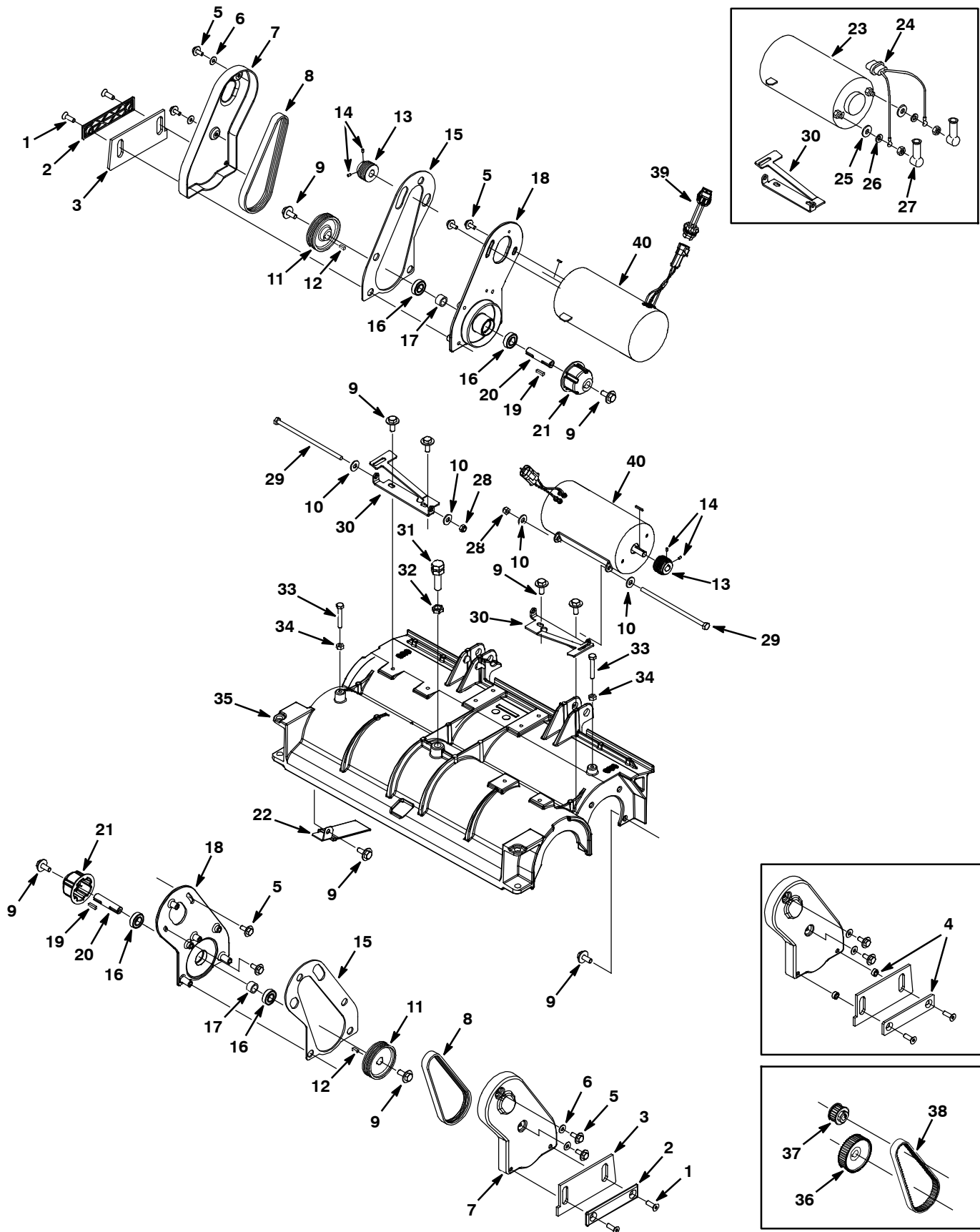
SCRUB HEAD GROUP, DISK 32 in / 800 mm - CONT'D

Ref.	Part No.	Serial Number	Description	Qty.	
1	1031370	(00000000-) Wire, 12 Awg X 250mm	1	
2	43952	(00000000-) Washer, Lock, Int, 0.31, Ss	1	
3	09011	(00000000-) Screw, Hex, M8 X 1.25 X 30, Ss	7	
4	1036022	(10325114-) Bracket, Mtg, Actuator, Scb Head	1	
5	01685	(10325114-) Washer, Flat, 0.38b 0.88d .08, Ss	1	
6	08713	(10325114-) Nut, Hex, Lock, M8 X 1.25, NI, Ss	1	
7	01685	(00000000-) Washer, Flat, 0.31 Ss	1	
8	364441	(00000000-) Screw, Hex, M8 X 1.25 X 110, Ss	1	
9	02942	(00000000-) Pin, Hair Cotter, 0.62 D .120 Wir	2	
10	222210	(00000000-) Pin, Clevis, 0.62 D X 2.12l	2	
11	1022227	(00000000-) Bracket, Link, Scrubhead	2	
12	1024179	(00000000-) Knob, Knurled, M10 Thread	2	
13	626081	(00000000-) Spring, Cmpr, 12.1d, 0.9w, 90.0l	2	
14	09746	(00000000-) Screw, Hex, M10 X 1.5 X 90, Ss	2	
15	N/A	(00000000- 10325113) (Replaced By Items #4, 5, & 6)	1	
16	79246	(00000000-) Screw, Flt, M8 X 1.25 X 20, Ss 18- 8	2	
17	08713	(00000000-) Nut, Hex, Lock, M8 X 1.25, NI, Ss	10	
18	140027	(00000000-) Washer, Flat, 0.35b 0.75d .04, Ss	10	
19	1023268	(00000000-) Bracket, Roller, Wall, Scb Head, 70cm	1	
20	222460	(00000000-) Sleeve, P/M, 0.496d 0.318b 0.50l 430ss	1	
21	1010560	(00000000-) Wheel, Bmpr, 80d X 25w, Non- Marking	1	
22	09023	(00000000-) Screw, Hex, M8 X 1.25 X 35, Ss, Fl	1	
23	608322	(00000000-) Screw, Trs, M6 X 1.0 X 16, Phl, Ss	2	
24	1034731	(00000000-) Screw, Hex, M6 X 1.00 X 16, Sems, Ss	2	
▽	25	9002676	(00000000-) Kit, Cover, Disc- Head	1
▲	26	1024437	(00000000-) Insulation, Sound, Front	1

▽ ASSEMBLY|

▲ INCLUDED IN ASSEMBLY

SCRUB HEAD GROUP, CYLINDRICAL 26 in / 650 mm



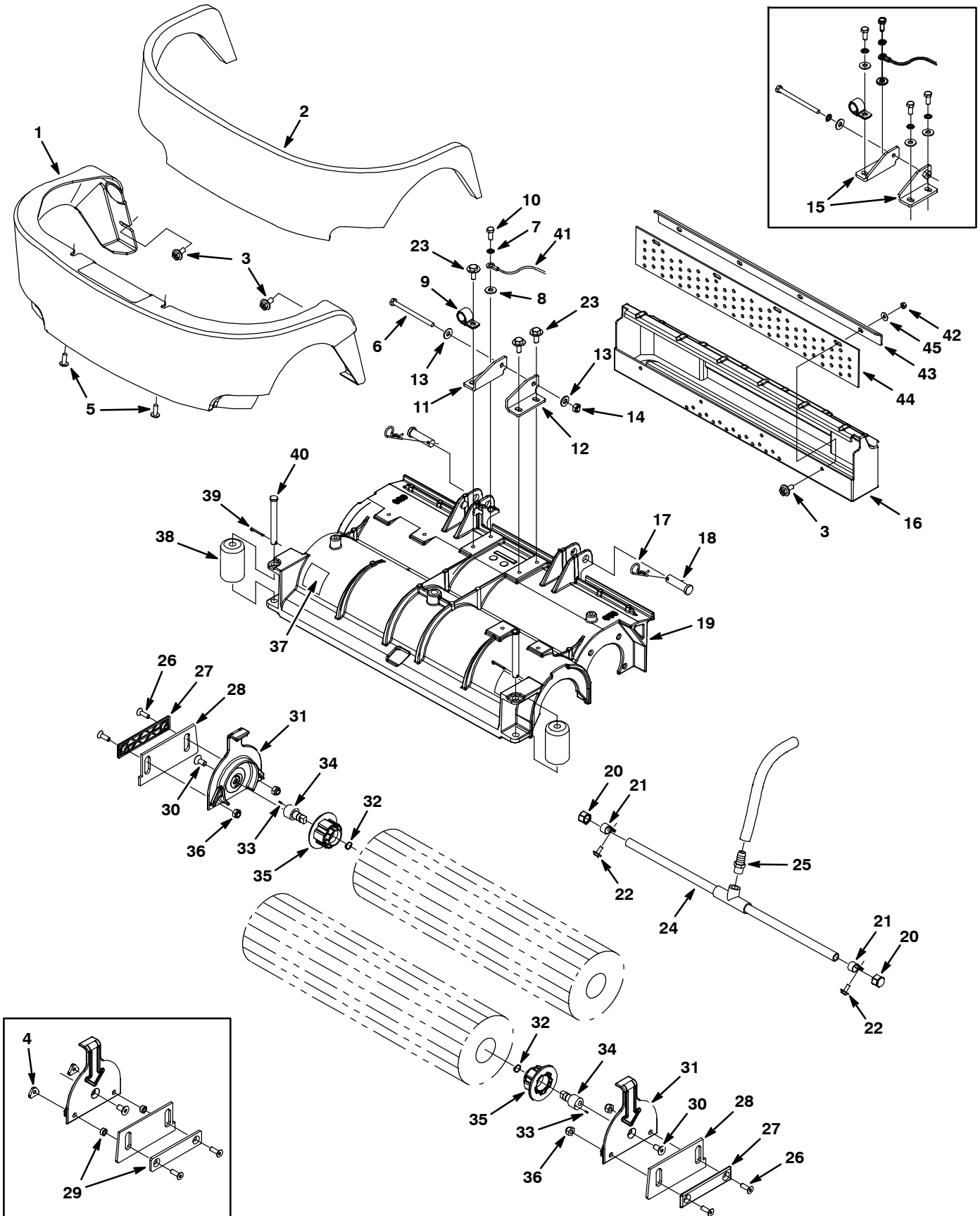
SCRUB HEAD GROUP, CYLINDRICAL 26 in / 650 mm

Ref.	Part No.	Serial Number	Description	Qty.	
1	222692	(00000000-) Screw, Flt, M8 X1.25 X 25, Ss, 18- 8, NI	4	
2	1036245	(10383861-) Retainer, Blade, Sqge, Side, Blk, Nyl	2	
3	1026292	(00000000-) Skirt, Side, Scb, Cyl	2	
4	N/A	(00000000- 10383860) (Replaced By Item #2)	4	
5	1034731	(00000000-) Screw, Hex, M6 X 1.00 X 16, Sems, Ss	8	
6	01684	(00000000-) Washer, Flat, 0.25 Ss	4	
7	1022807	(00000000-) Cover, Belt	2	
8	1035888	(10338658-) Belt, Drive, 6Grv, 508l X 14w, [6Pj]	2	
9	1020341	(00000000-) Screw, Hex, M8 X 1.25 X 20, Sems, Ss	16	
10	01685	(00000000-) Washer, Flat, 0.31 Ss	4	
11	1035173	(10338658-) Sheave, 06Grv, 2.96pd, 0.59b, Alm [Pj]	2	
12	00961	(00000000-) Key, Sq, 0.19 X 0.19, 0.50l	2	
13	1033528	(10338658-) Sheave, 06Grv, 1.33pd, 0.50b, Alm [Pj]	2	
14	222818	(00000000-) Screw, Set, #08- 32 X 0.25, NI	4	
15	1022401	(00000000-) Gasket, Cover, Belt	2	
16	41360	(00000000-) Bearing, Ball, 0.59b 1.26d 0.35w [2seal]	4	
17	1002077	(00000000-) Spacer, 0.59b 0.81d 0.50l	2	
18	1021036	(00000000-) Bracket, Motor, Machined	2	
19	00911	(00000000-) Key, Sq, 0.19 X 0.19, 0.75l	2	
20	1021050	(00000000-) Shaft, Drive	2	
21	378805	(00000000-) Plug, Drive, Brush, Mach	2	
22	1029358	(00000000-) Deflector, Water, Cyl Head	1	
▽	23	604980	(00000000- 10419661) Motor, Ele, 24vdc 1500rpm 0.75hp 23.0a (Replaced By 1050369)	2	
▲	190152	(00000000- 10419661) Brush, Carbon [Pk=4]	2	
▲	605305	(00000000- 10419661) Spring, Motor, F/ Carbon Brush	8	
24	606795	(00000000- 10419661) Harness Motor Cyl- Brush	2	
25	140027	(00000000- 10419661) Washer, Flat, 0.35b 0.75d .04, Ss	4	
26	43952	(00000000- 10419661) Washer, Lock, Int, 0.31 Ss	4	
27	608964	(00000000- 10419661) Boot, 90deg .27id 0.64id 1.79l, Blk	4	
28	08713	(00000000-) Nut, Hex, Lock, M8 X 1.25, NI, Ss	2	
29	1025026	(00000000-) Screw, Hex, M8 X 1.25 X 180, Ss	2	
30	1044386	(00000000-) Bracket, Mtg, Motor	2	
31	1022424	(00000000-) Stud, Adj, M16, Scrub Head	1	
32	763066	(00000000-) Nut, Hex, Jam, M16 X 2.0	1	
33	578717	(00000000-) Screw, Hex, M8 X 1.25 X 50, Ss	2	
34	07786	(00000000-) Nut, Hex, Std, M8 X 1.25, Ss	2	
35	1022624	(00000000-) Housing, Head, 65cm Cyl, Mach	1	
36	1024636	(00000000- 10338657) Sprocket, 48t, 5p V2	2	
37	375195	(00000000- 10338657) Sprocket, Timing, 22tooth, 0.50b, [Gt/2]	2	
38	377500	(00000000- 10338657) Belt, Synchronous, 500l, 15mm [05p, Plychn]	2	
39	1052895	(10419662-) Harness, Adapter, Motor [T7/T5]	1	
▽	40	1042228	(10419662-) Motor, Ele, 24vdc 1500rpm 0.75hp 23.0a	2
▲	1049739	(10419662-) Brush Kit, Carbon, Motor, Replmt [4pcs]	2	

▽ ASSEMBLY

▲ INCLUDED IN ASSEMBLY

SCRUB HEAD GROUP, CYLINDRICAL 26 in / 650 mm - CONT'D



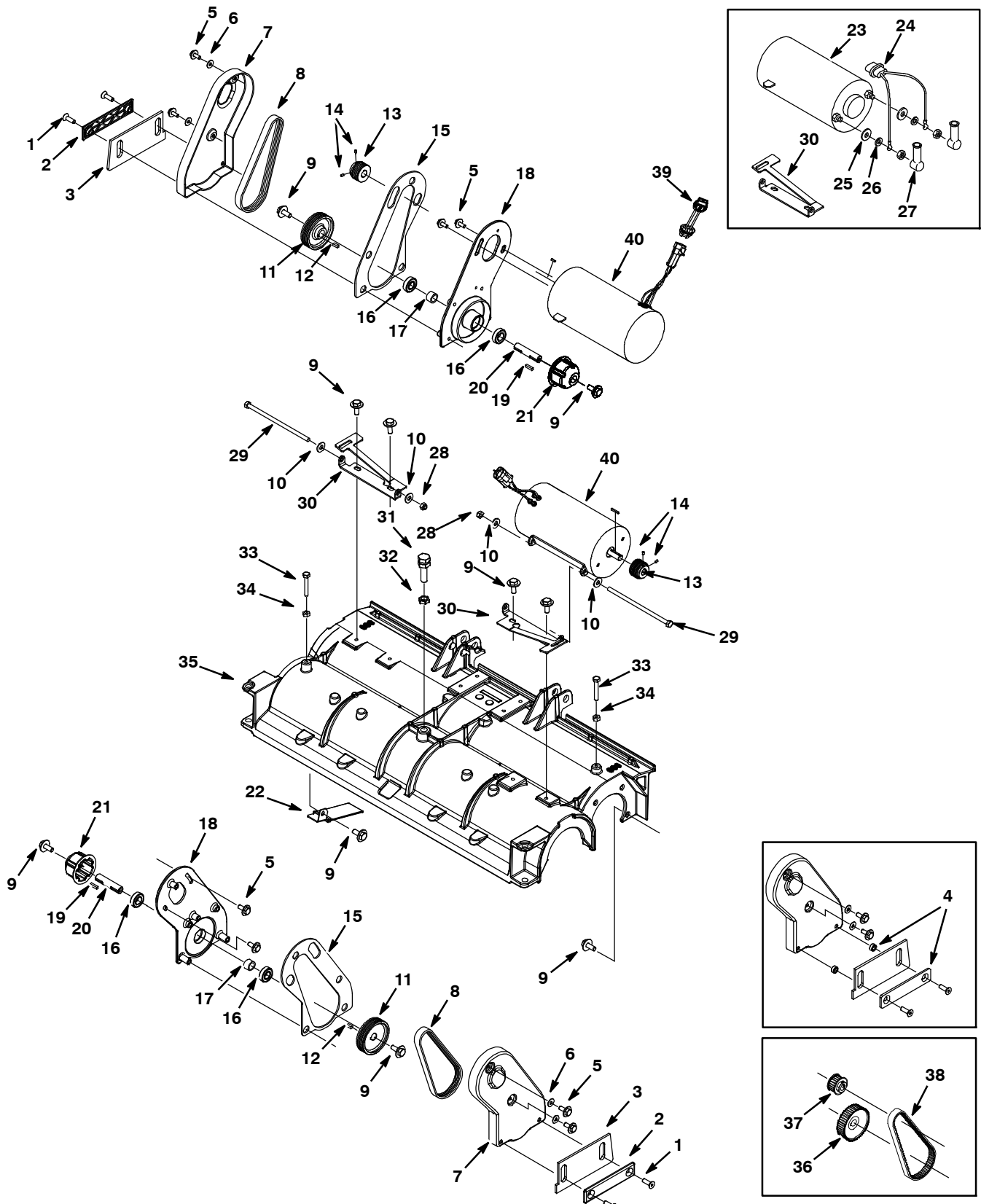
SCRUB HEAD GROUP, CYLINDRICAL 26 in / 650 mm - CONT'D

Ref.	Part No.	Serial Number	Description	Qty.
▽	1	9002677	(00000000-) Kit, Cover, Cyl- Head	1
▲	2	1024940	(00000000-) Insulation, Sound, Front, Cyl Head	1
	3	1034731	(00000000-) Screw, Hex, M6 X 1.00 X 16, Sems, Ss	6
	4	N/A	(00000000- 10383860) (Replaced By Item #32)	4
	5	608322	(00000000-) Screw, Trs, M6 X 1.0 X 16, Phl, Ss	2
	6	364441	(00000000-) Screw, Hex, M8 X 1.25 X 110, Ss	1
	7	43952	(00000000-) Washer, Lock, Int, 0.31 Ss	1
	8	01685	(00000000-) Washer, Flat, 0.31 Ss	1
	9	140314	(00000000-) Clamp, Cable, Stl, 0.75d X 0.75w, 1h, Yl	1
	10	12273	(00000000-) Screw, Hex, M8 X 1.25 X 20, Ss, NI	1
	11	1036032	(10330480-) Bracket, Lift, Head, Rh	1
	12	1036025	(10330480-) Bracket, Lift, Head, Lh	1
	13	01685	(00000000-) Washer, Flat, 0.31 Ss	1
	14	08713	(10330480-) Nut, Hex, Lock, M8 X 1.25, NI, Ss	1
	15	N/A	(00000000- 10330479) (Replaced By Items #11, 12, 13, & 14)	1
	16	1023465	(00000000-) Hopper, 65cm, Rm- Blk	1
	17	02942	(00000000-) Pin, Hair Cotter, 0.62 D .120 Wir	2
	18	222210	(00000000-) Pin, Clevis, 0.62 D X 2.12l	2
	19	1022624	(00000000-) Housing, Head, 65cm Cyl, Mach	1
	20	1025580	(00000000-) Cap, Plstc, Pf12	2
	21	33584	(00000000-) Clamp, Cable, Stl, 0.63d X 0.50w, 1h	2
	22	1034731	(00000000-) Screw, Hex, M6 X 1.00 X 16, Sems, Ss	2
	23	1020341	(00000000-) Screw, Hex, M8 X 1.25 X 20, Sems, Ss	3
	24	1046049	(00000000-) Tube Assy, Bar, Spray	1
	25	64743	(00000000-) Fitting, Plstc, Str, Bm08/Pm06	1
	26	222692	(00000000-) Screw, Flt, M8 X1.25 X 25, Ss, 18- 8, NI	4
	27	1036245	(10383861-) Retainer, Blade, Sqge, Side, Blk, Nyl	2
	28	1026292	(00000000-) Skirt, Side, Scb, Cyl	2
	29	N/A	(00000000- 10383860) (Replaced By Item #27)	4
▽		1057922	(00000000-) Door Assy, Cyl Head	2
▲	30	390996	(00000000-) Screw, Flt, M10 X 1.5 X 20, 10.9, NI	1
▲	31	1044145	(00000000-) Door, Brush	1
▲	32	01516	(00000000-) Ring, Retaining, Ext, 0.59d, Basic	1
▲	33	222184	(00000000-) Pin, Roll, .094 D X 0.25l, .094/.097	1
▲	34	222177	(00000000-) Shaft, Idler Plug	1
▲	35	1057629	(00000000-) Plug, Idler, Brush [Sgl Brg]	1
	36	08713	(10383861-) Nut, Hex, Lock, M8 X 1.25, NI, Ss	4
	37	578769	(00000000-) Label, Moving Parts	2
	38	222178	(00000000-) Roller, Pyu, 1.88d 0.53b 3.05l	2
	39	578421	(00000000-) Pin, Cotter, .125d X 1.00l	2
	40	222196	(00000000-) Pin, Clevis, 0.50 D X 4.25l	2
	41	1031370	(00000000-) Wire, 12 Awg X 250mm	1
	42	07785	(00000000-) Nut, Hex, Std, M6 X 1.0, A2, Ss	4
	43	1023536	(00000000-) Lip, Tray, Debris, Scrubhead, 65cm	1
	44	1025272	(00000000-) Skirt, Tray, Debris, 65cm	1
	45	01684	(00000000-) Washer, Flat, 0.27b 0.69d .05, Ss	4

▽ ASSEMBLY

▲ INCLUDED IN ASSEMBLY

SCRUB HEAD GROUP, CYLINDRICAL 32 in / 800 mm



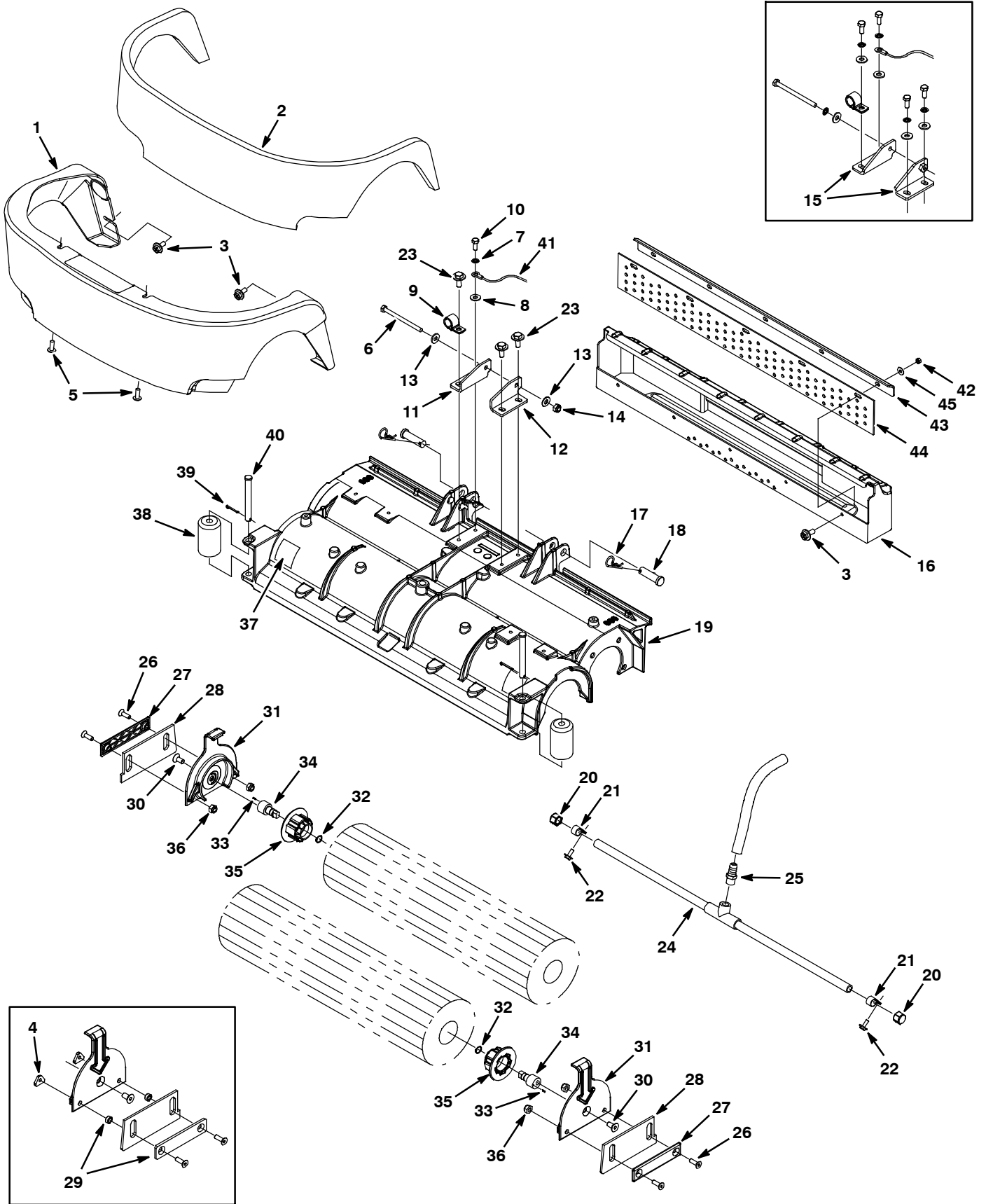
SCRUB HEAD GROUP, CYLINDRICAL 32 in / 800 mm

Ref.	Part No.	Serial Number	Description	Qty.	
1	222692	(00000000-) Screw, Flt, M8 X1.25 X 25, Ss, 18- 8, NI	4	
2	1036245	(10353861-) Retainer, Blade, Sqge, Side, Blk, Nyl	2	
3	1026292	(00000000-) Skirt, Side, Scb, Cyl	2	
4	N/A	(00000000- 10353860) (Replaced By Item #2)	4	
5	1034731	(00000000-) Screw, Hex, M6 X 1.00 X 16, Sems, Ss	8	
6	01684	(00000000-) Washer, Flat, 0.25 Ss	4	
7	1022807	(00000000-) Cover, Belt	2	
8	1035888	(10338658-) Belt, Drive, 6Grv, 508l X 14w, [6Pj]	2	
9	1020341	(00000000-) Screw, Hex, M8 X 1.25 X 20, Sems, Ss	16	
10	01685	(00000000-) Washer, Flat, 0.31 Ss	4	
11	1035173	(10338658-) Sheave, 06Grv, 2.96pd, 0.59b, Alm [Pj]	2	
12	00961	(00000000-) Key, Sq, 0.19 X 0.19, 0.50l	2	
13	1033528	(10338658-) Sheave, 06Grv, 1.33pd, 0.50b, Alm [Pj]	2	
14	222818	(00000000-) Screw, Set, #08- 32 X 0.25, NI	4	
15	1022401	(00000000-) Gasket, Cover, Belt	2	
16	41360	(00000000-) Bearing, Ball, 0.59b 1.26d 0.35w [2seal]	4	
17	1002077	(00000000-) Spacer, 0.59b 0.81d 0.50l	2	
18	1021036	(00000000-) Bracket, Motor, Machined	2	
19	00911	(00000000-) Key, Sq, 0.19 X 0.19, 0.75l	2	
20	1021050	(00000000-) Shaft, Drive	2	
21	378805	(00000000-) Plug, Drive, Brush, Mach	2	
22	1029358	(00000000-) Deflector, Water, Cyl Head	1	
▽	23	604980	(00000000- 10419661) Motor, Ele, 24vdc 1500rpm 0.75hp 23.0a (Replaced By 1050369)	2	
▲	190152	(00000000- 10419661)	Brush, Carbon [Pk=4]	2	
▲	605305	(00000000- 10419661)	Spring, Motor, F/ Carbon Brush	8	
24	606795	(00000000- 10419661)	Harness Motor Cyl- Brush	2	
25	140027	(00000000- 10419661)	Washer, Flat, 0.35b 0.75d .04, Ss	4	
26	43952	(00000000- 10419661)	Washer, Lock, Int, 0.31 Ss	4	
27	608964	(00000000- 10419661)	Boot, 90deg .27id 0.64id 1.79l, Blk	4	
28	08713	(00000000-) Nut, Hex, Lock, M8 X 1.25, NI, Ss	2	
29	1025026	(00000000-) Screw, Hex, M8 X 1.25 X 180, Ss	2	
30	1044386	(00000000-) Bracket, Mtg, Motor	2	
31	1044386	(00000000-) Stud, Adj, M16, Scrub Head	1	
32	763066	(00000000-) Nut, Hex, Jam, M16 X 2.0	1	
33	578717	(00000000-) Screw, Hex, M8 X 1.25 X 50, Ss	2	
34	07786	(00000000-) Nut, Hex, Std, M8 X 1.25, Ss	2	
35	1025039	(00000000-) Housing, Head, 80cm Cyl, Mach	1	
36	1024636	(00000000- 10338657)	Sprocket, 48t, 5p V2	2	
37	375195	(00000000- 10338657)	Sprocket, Timing, 22tooth, 0.50b, [Gt/2]	2	
38	377500	(00000000- 10338657)	Belt, Synchronous, 500l, 15mm [05p, Plychn]	2	
39	1052895	(10409662-) Harness, Adapter, Motor [T7/T5]	1	
▽	40	1042228	(10419662-) Motor, Ele, 24vdc 1500rpm 0.75hp 23.0a	2
▲	1049739	(10419662-) Brush Kit, Carbon, Motor, Replmt [4pcs]	2	

▽ ASSEMBLY

▲ INCLUDED IN ASSEMBLY

SCRUB HEAD GROUP, CYLINDRICAL 32 in / 800 mm - CONT'D



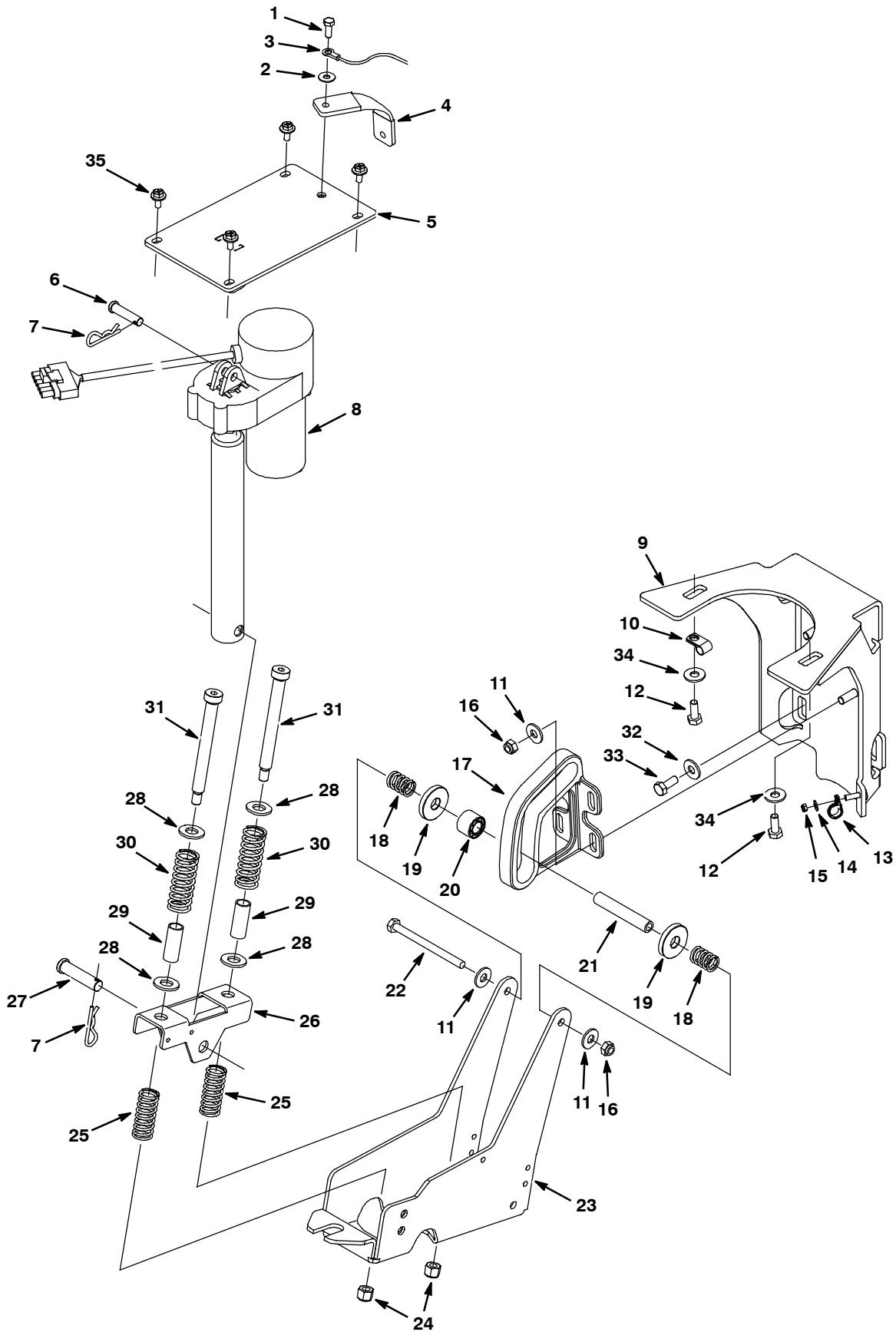
SCRUB HEAD GROUP, CYLINDRICAL 32 in / 800 mm - CONT'D

Ref.	Part No.	Serial Number	Description	Qty.
▽	1	9002677	(00000000-) Kit, Cover, Cyl- Head	1
▲	2	1024940	(00000000-) Insulation, Sound, Front, Cyl Head	1
	3	1034731	(00000000-) Screw, Hex, M6 X 1.00 X 16, Sems, Ss	7
	4	N/A	(00000000- 10353860) (Replaced By Item #32)	4
	5	608322	(00000000-) Screw, Trs, M6 X 1.0 X 16, Phl, Ss	2
	6	364441	(00000000-) Screw, Hex, M8 X 1.25 X 110, Ss	1
	7	43952	(00000000-) Washer, Lock, Int, 0.31 Ss	1
	8	01685	(00000000-) Washer, Flat, 0.31 Ss	1
	9	140314	(00000000-) Clamp, Cable, Stl, 0.75d X 0.75w, 1h, Yl	1
	10	12273	(00000000-) Screw, Hex, M8 X 1.25 X 20, Ss, NI	1
	11	1036032	(10330480-) Bracket, Lift, Head, Rh	1
	12	1036025	(10330480-) Bracket, Lift, Head, Lh	1
	13	01685	(10330480-) Washer, Flat, 0.38b 0.88d .08, Ss	1
	14	08713	(10330480-) Nut, Hex, Lock, M8 X 1.25, NI, Ss	1
	15	N/A	(00000000- 10330479) (Replaced By Items #11, 12, 13, & 14)	1
	16	1025127	(00000000-) Hopper, 80cm [Rm]	1
	17	02942	(00000000-) Pin, Hair Cotter, 0.62 D .120 Wir	2
	18	222210	(00000000-) Pin, Clevis, 0.62 D X 2.12l	2
	19	1025039	(00000000-) Housing, Head, 80cm Cyl, Mach	1
	20	1025580	(00000000-) Cap, Plstc, Pf12	2
	21	33584	(00000000-) Clamp, Cable, Stl, 0.63d X 0.50w, 1h	2
	22	1034731	(00000000-) Screw, Hex, M6 X 1.00 X 16, Sems, Ss	2
	23	1020341	(00000000-) Screw, Hex, M8 X 1.25 X 20, Sems, Ss	3
	24	1025276	(00000000-) Tube Assy, Bar, Spray [85cm]	1
	25	64743	(00000000-) Fitting, Plstc, Str, Bm08/Pm06	1
	26	222692	(00000000-) Screw, Flt, M8 X1.25 X 25, Ss, 18- 8, NI	4
	27	1036245	(10353861-) Retainer, Blade, Sqge, Side, Blk, Nyl	2
	28	1026292	(00000000-) Skirt, Side, Scb, Cyl	2
	29	N/A	(00000000- 10353860) (Replaced By Item #27)	4
▽		1057922	(00000000-) Door Assy, Cyl Head	2
▲	30	390996	(00000000-) Screw, Flt, M10 X 1.5 X 20, 10.9, NI	1
▲	31	1044145	(00000000-) Door, Brush	1
▲	32	01516	(00000000-) Ring, Retaining, Ext, 0.59d, Basic	1
▲	33	222184	(00000000-) Pin, Roll, .094 D X 0.25l, .094/.097	1
▲	34	222177	(00000000-) Shaft, Idler Plug	1
▲	35	1057629	(00000000-) Plug, Idler, Brush [Sgl Brg]	1
	36	08713	(10383861-) Nut, Hex, Lock, M8 X 1.25, NI, Ss	4
	37	578769	(00000000-) Label, Moving Parts	2
	38	222178	(00000000-) Roller, Pyu, 1.88d 0.53b 3.05l	2
	39	578421	(00000000-) Pin, Cotter, .125d X 1.00l	2
	40	222196	(00000000-) Pin, Clevis, 0.50 D X 4.25l	2
	41	1031370	(00000000-) Wire, 12 Awg X 250mm	1
	42	07785	(00000000-) Nut, Hex, Std, M6 X 1.0, A2, Ss	5
	43	1025150	(00000000-) Lip, Tray, Debris, Scrubhead, 80cm	1
	44	1025273	(00000000-) Skirt, Tray, Debris, 80cm	1
	45	01684	(00000000-) Washer, Flat, 0.25 Ss	4

▽ ASSEMBLY

▲ INCLUDED IN ASSEMBLY

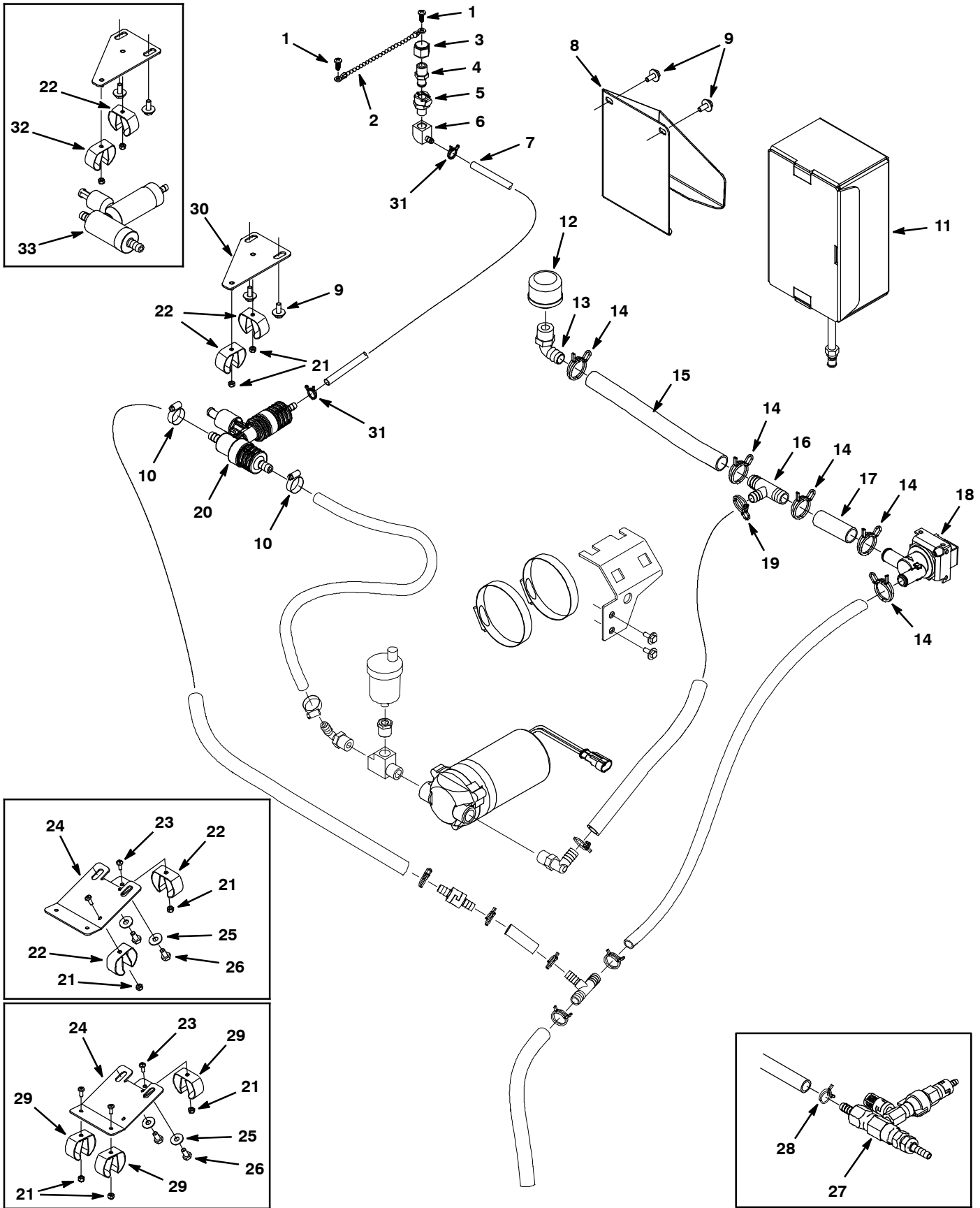
SCRUBHEAD LIFT GROUP



SCRUBHEAD LIFT GROUP

Ref.	Part No.	Serial Number	Description	Qty.
1	11329	(00000000-) Screw, Hex, M6 X 1.0 X 16, Ss, NI	1
2	01684	(00000000-) Washer, Flat, 0.25 Ss	1
3	1029310	(00000000-) Harness, Ground, 12 Awg	1
4	1029051	(00000000-) Strap, Static, Controller	1
5	1022913	(00000000-) Bracket Wldt, Actuator, Upper	1
6	29558	(00000000-) Pin, Clevis, 0.37 D X 1.50l	1
7	140626	(00000000-) Pin, Hair Cotter, 0.25 D .125 Wir	2
8	1023035	(00000000-) Actuator, 24vdc, 6.0 Strk, 600lb	1
9	1049367	(00000000-) Bracket, Sppt, Guide, Rlr	1
10	40678	(00000000-) Clamp, Cable, Stl, 0.44d X 0.62w, 1h	1
11	01685	(00000000-) Washer, Flat, 0.31 Ss	6
12	12273	(00000000-) Screw, Hex, M8 X 1.25 X 20, Ss, NI	2
13	33584	(00000000-) Clamp, Cable, Stl, 0.63d X 0.50w, 1hole	1
14	01683	(00000000-) Washer, Flat, #10 Ss	1
15	09739	(00000000-) Nut, Hex, Lock, M5 X 0.8, NI, Ss	1
16	08713	(00000000-) Nut, Hex, Lock, M8 X 1.25, NI, Ss	5
17	1023592	(00000000-) Bracket, Guide, Rlr, Head Lift, Brz [T5]	1
18	607920	(00000000-) Spring, Cmpr, 18.3d, 2.4w, 25.4l Mw	2
19	607568	(00000000-) Washer, P/M, 1.500d, 0.500b 0.25l Bnz	2
20	1023658	(00000000-) Roller, Linkage, Head Lift	1
21	1023653	(00000000-) Shaft, Rlr, Head- Lift	1
22	386299	(00000000-) Screw, Hex, M8 X 1.25 X 100, Ss	1
23	1024911	(00000000-) Bracket, Roller, Scrubhead, Sheet Metal	1
24	59156	(00000000-) Nut, Hex, Lock, .38- 16, NI, Ss	2
25	63185	(00000000-) Spring, Cmpr, 0.85od .09wir 2.0l	2
26	1023575	(00000000-) Bracket, Spring, Down Press	1
27	51534	(00000000-) Pin, Clevis, 0.50 D X 2.00l	1
28	32486	(00000000-) Washer, Flat, 0.50 Sae	4
29	1024969	(00000000-) Sleeve, P/M, 0.629d 09.5	2
30	45261	(00000000-) Spring, Cmpr, 0.97od .11wir 2.5l	2
31	45960	(00000000-) Bolt, Shld, .50d X 4.25, .38- 16	2
32	1016331	(00000000-) Washer, Flat, 0.34b 1.25d .11, Ss	2
33	12333	(00000000-) Screw, Hex, M8 X 1.25 X 25, Ss, NI	2
34	69461	(00000000-) Washer, Flat, 0.38b 0.88d .12, Stl, Pl	2
35	1034731	(00000000-) Screw, Hex, M6 X 1.00 X 16, Sems, Ss	4

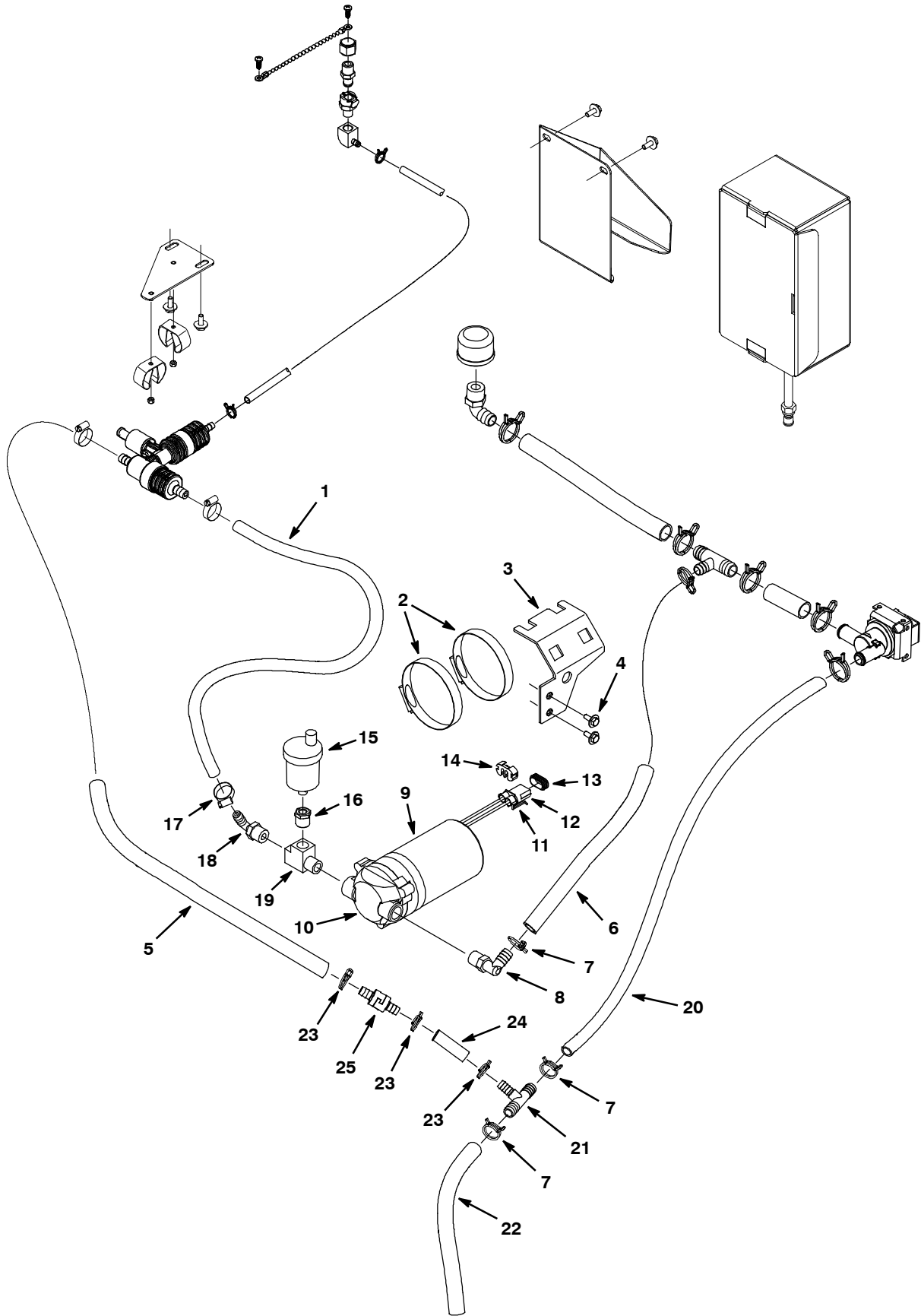
SOLUTION GROUP, FaST MODEL



SOLUTION GROUP, FaST MODEL

Ref.	Part No.	Serial Number	Description	Qty.
1	1018155	(00000000-) Screw, Pan, M5 X 0.8 X16, Ss, Tcut	2
2	621443	(00000000-) Chain, Ball, #10 X 157l, Ss	1
3	1005435	(00000000-) Fitting, Plstc, Cap, Pf04, Pipe	1
4	1002899	(00000000-) Fitting, Plstc, Str, Pm04, Cplg, Mal	1
5	1029262	(00000000-) Fitting, Plstc, Str, Pf04, Cplg, Fem	1
6	1028773	(00000000-) Fitting, Brs, E90, Pf04/Bm04	1
7	1006415	(00000000-) Hose, Afmkt, Pvc, Clr 0.25id 3ft	1
8	1036339	(00000000-) Bracket, Mtg, Detgt [T5]	1
9	1034731	(10369603-) Screw, Hex, M6 X 1.00 X 16, Sems, Ss	4
10	54333	(00000000-) Clamp, Hose, Wormdrive, 0.31- 0.88d, .31w	3
11	1017015	(00000000-) Detergent Pkg, 2 Liter, Sgl [365] (Standard)	1
11	1017022	(00000000-) Detergent Pkg, 2 Liter, Sgl [665] (Optional)	1
11	9002021	(00000000-) Fast 965 2 Ltr, Detergent (Optional)	1
12	1015522	(00000000-) Filter, Screen, 080 Mesh, Pf08, Ss	1
13	630371	(00000000-) Fitting, Plstc, E90, Bm10/Pm08	1
14	1041978	(00000000-) Clamp, Hose, Wir, .85 - .90, Silver	5
15	1035355	(00000000-) Hose, Afmkt, Pvc, Clr, 0.62id, 02ft	1
16	1015486	(00000000-) Fitting, Plstc, Tee, Bm10/Bm08/Bm10	1
17	605099	(00000000-) Hose, Pvc, Clr, 0.62id 0.88od 3.0l	1
18	1059224	(00000000-) Valve, Water, Solenoid, 24vdc, Bm10/Bm10	1
19	607776	(00000000-) Clamp, Hose, Wire, .73 - .77, Silver	1
20	9008847	(10538043-) Fast Kit, Injector[T5 60/65cm, Fast Iii]	1
21	33932	(10347532-) Nut, Hex, Lock, M4 X 0.7, NI, Ss	2
21	33932	(00000000- 10347531) Nut, Hex, Lock, M4 X 0.7, NI, Ss	3
22	573073	(10538043-) Clip, Grip, Hose, 1.00- 1.38, Zn (600 mm Disk & 650 mm Cyl Models)	2
22	573073	(10347532-) Clip, Grip, Hose, 1.00- 1.38, Zn (700 mm/800 mm Disk & 800 mm Cyl Models)	1
23	49697	(10347532- 10369602) Screw, Pan, M4 X 0.7 X 10, Ss	2
23	49697	(00000000- 10347531) Screw, Pan, M4 X 0.7 X 10, Ss	3
24	N/A	(00000000- 10369602) (Replaced By Item #30)	1
25	01684	(00000000- 10369602) Washer, Flat, 0.25 Ss	2
26	11635	(00000000- 10369602) Screw, Hex, M6 X 1.0 X 12, Ss, NI	2
27	9003810	(00000000- 10348537) Fast Kit, Conv, Ci[T5 60/65Cm, FaST II+] (600mm Disk & 650mm Cyl Models) (See Breakdowns)	1
27	9003812	(00000000- 10347531) Fast Kit, Conv, Ci[T5 70/80Cm, Fast II+] (700mm/800mm Disk & 800mm Cyl Models) (See Breakdowns)	1
28	607775	(00000000- 10348537) Clamp, Hose, Wir, .63 - .66, Blk	1
29	1014295	(00000000- 10347531) Clip, Spring, Holder, Blk Vyl Coated	3
30	1040982	(10369603-) Plate, Mtg, Injector [T5/Ss5 Fast Ii+]	1
31	613735	(00000000-) Clamp, Hose, Wir, .40 - .42, Yel	2
32	1014295	(00000000-) Clip, Grip, Hose, 0.75- 1.12, Stl,Blk Vyl (700 mm/800 mm Disk & 800 mm Cyl Models)	1
33	9003907	(10348538- 10538042) Fast Kit, Injector[T5 60/65Cm, Fast II+] (See Breakdowns) (Replaced by 9008847)	1
33	9003908	(10347532-) Fast Kit, Injector[T5 70/80Cm, Fast II+] (See Breakdowns)	1

SOLUTION GROUP, FaST MODEL - CONT'D



SOLUTION GROUP, FaST MODEL - CONT'D

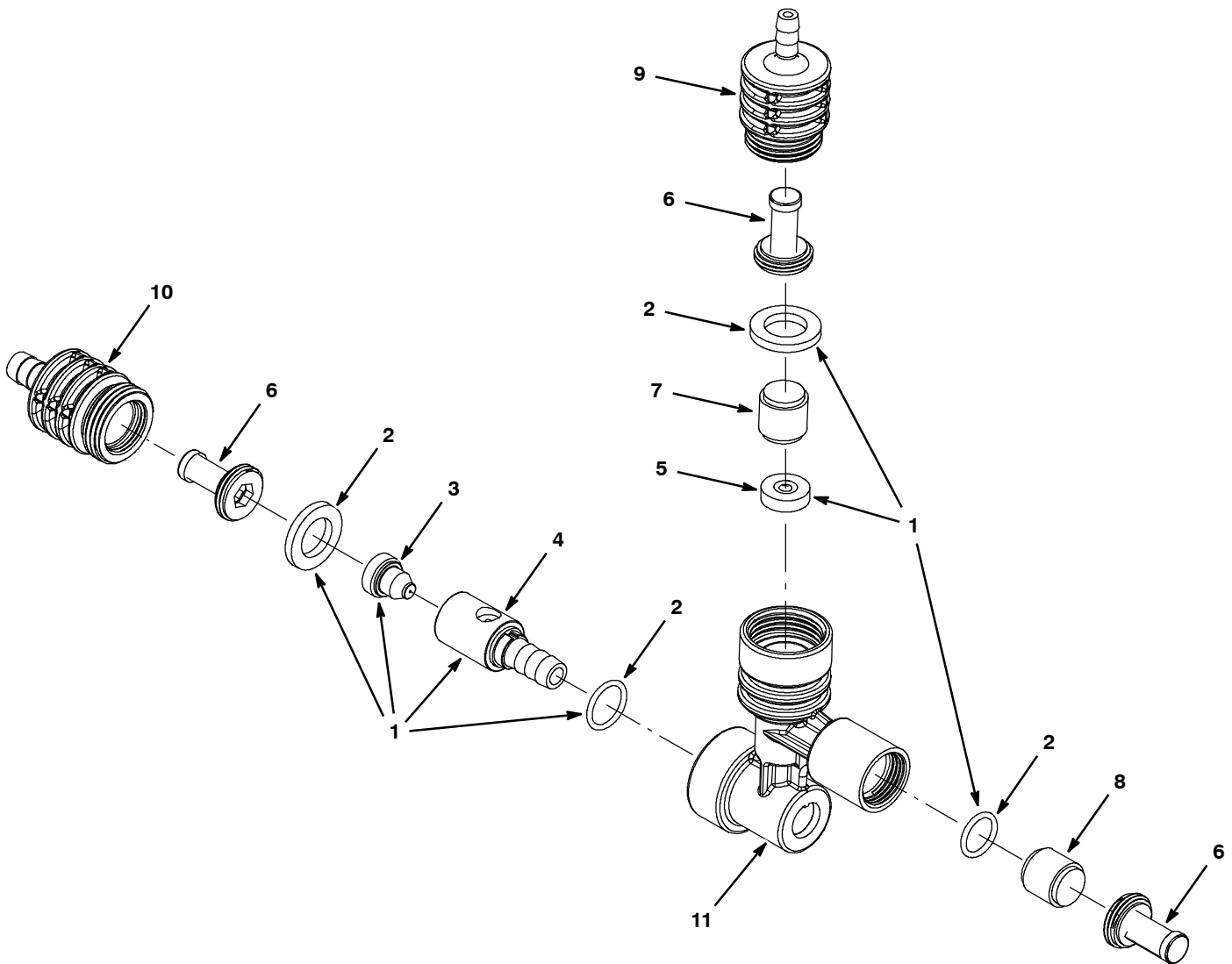
Ref.	Part No.	Serial Number	Description	Qty.	
1	9002542	(00000000-) Hose, .38id X 0.6od Pvc 376720 Ft 3.5	1	
2	43555	(00000000-) Clamp, Hose, Wormdrive, 2.50- 3.50d, .50w	2	
3	1023463	(00000000-) Bracket, Mtg, Pump	1	
4	1034731	(00000000-) Screw, Hex, M6 X 1.00 X 16, Sems, Ss	2	
5	9004748	(00000000-) Hose, Pyu, Clr, 0.38id 0.62od 42l	1	
6	613521	(00000000-) Tubing 1/2idx3/4od Vnyl 611259 Ft 1.000	1	
7	607776	(00000000-) Clamp, Hose, Wire, .73 - .77, Silver	3	
8	1017532	(00000000-) Fitting, Plstc, E90, Bm08/Pm06	1	
▽	9	1014282	(00000000-) Pump, Soltn, Ele, 24vdc, 60psi, Packard	1
▲	10	9001240	(00000000-) Pump Kit, Head, Soltn	1
▲	11	78950	(00000000-) Connector, Fem, 02cav, Mp280 Sealed	1
▲	12	78951	(00000000-) Terminal, Fem, Mp280, Sealed, 18- 16ga	1
▲	13	10917	(00000000-) Seal, Wire, 14/16ga [Wp / Mp280 Sealed]	1
▲	14	78952	(00000000-) Lock, Secondary, 2cav, Mp280 Sealed	1
	15	1017386	(00000000-) Valve, Air Vent, Float Type	1
	16	24698	(00000000-) Fitting, Brs, Str, Pf02/Pm06	1
	17	54333	(00000000-) Clamp, Hose, Wormdrive, 0.31- 0.88d, .31w	1
	18	1005630	(00000000-) Fitting, Plstc, E90, Bm06/Pm06, Nyl	1
	19	601483	(00000000-) Fitting, Brs, Tee, Pm06/Pf06, Strt, T	1
	20	613531	(00000000-) Tubing 1/2idx3/4od Vinyl 611259 Ft 3.750	1
	21	630372	(00000000-) Fitting, Plstc, Tee, Bm08/Bm06/Bm08	1
	22	613521	(00000000-) Tubing 1/2idx3/4od Vnyl 611259 Ft 1.000	1
	23	607775	(00000000-) Clamp, Hose, Wir, .63 - .66, Blk	3
	24	606362	(00000000-) Hose 3/8idx5/8odx6.5 (611254)	1
	25	1015455	(00000000-) Valve, Check, 0005 Psi, Bm06/Bm06 (600mm Disk & 650mm Cyl Models)	1
	25	1015455	(10582617-) Valve, Check, 0005 Psi, Bm06/Bm06 (700mm/800mm Disk & 800mm Cyl Models)	1
	25	1040501	(10347532- 10582616)) Valve, Check, 0015 Psi, Bm06/Bm06 (700mm/800mm Disk & 800mm Cyl Models)	1
	25	1015455	(00000000- 10347531)) Valve, Check, 0005 Psi, Bm06/Bm06 (700mm/800mm Disk & 800mm Cyl Models)	1

▽ ASSEMBLY

▲ INCLUDED IN ASSEMBLY

STANDARD PARTS

9008847 FAST INJECTOR ASSEMBLY BREAKDOWN (S/N 10538043-), 600 mm DISK & 650 mm CYLINDRICAL MODELS

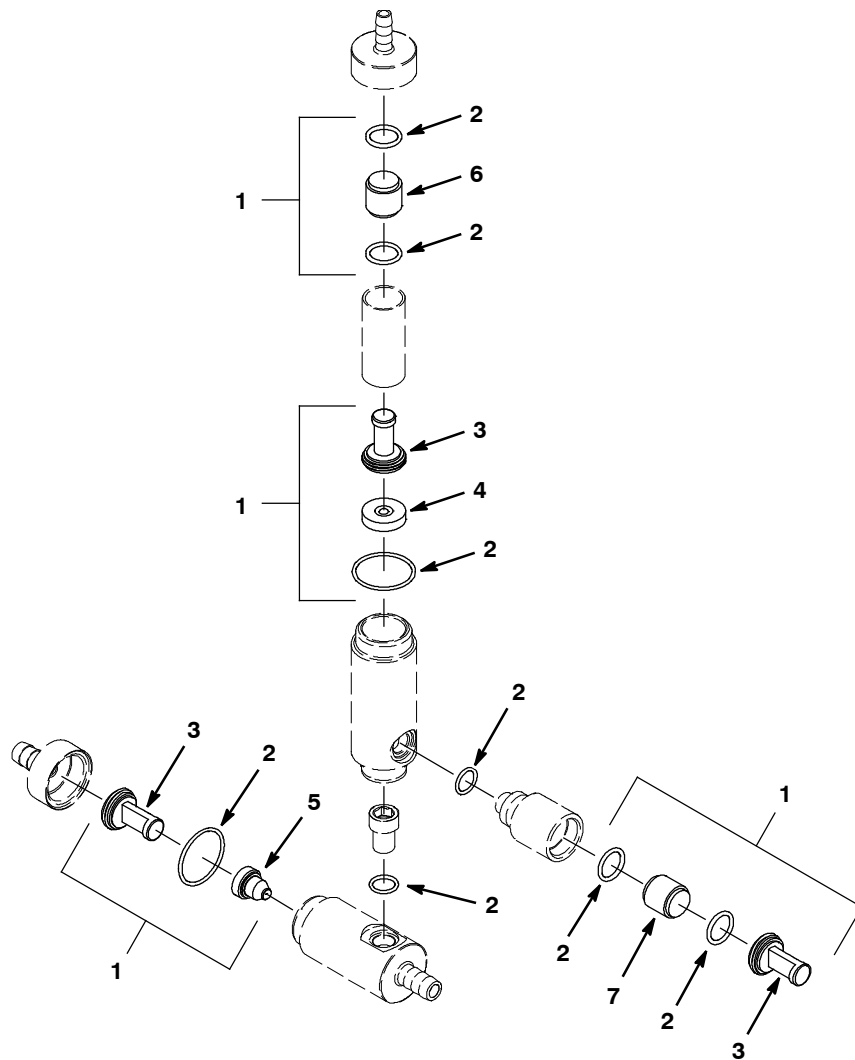


Ref.	Part No.	Serial Number	Description	Qty.	
▽	9008847	(10538043-) Fast Kit, Injector[T5 60/65cm, Fast lii]	1	
▲▽	1	9003811	(10538043-) Fast Kit, Ci[Inj Reblid, T5 60/65cm, li+]	1
▲▲	2	9008848	(10538043-) Fast Kit, Seal, Injector, Ci [Fast lii]	1
▲▲	3	1039989	(10348538-) Plug, Orifice, 0.030, Ss [Fast li+]	1
▲▲	4	1059250	(10538043-) Insert, Venturi, Medium, [Fast lii]	1
▲▲	5	1059869	(10538043-) Plate Assy, Orifice, 0.007id, Red	1
▲	6	9003009	(10348538-) Fast Kit, Ci, Injector Filters[Fast li+]	1
▲	7	1030444	(10348538-) Valve, Check, 0002psi [Fast li+]	1
▲	8	1030441	(10348538-) Valve, Check, 0005psi [Fast li+]	1
▲	9	1058126	(10538043-) Housing, Fltr, Upper [Fast lii]	1
▲	10	1057811	(10538043-) Housing, Fltr, Lower [Fast lii]	1
▲	11	1053564	(10538043-) Housing, Body, Injector [Fast lii]	1

▽ ASSEMBLY

▲ INCLUDED IN ASSEMBLY

**9003907 FAST INJECTOR ASSEMBLY BREAKDOWN (S/N 10348538- 10538042)
600 mm DISK & 650 mm CYLINDRICAL MODELS**



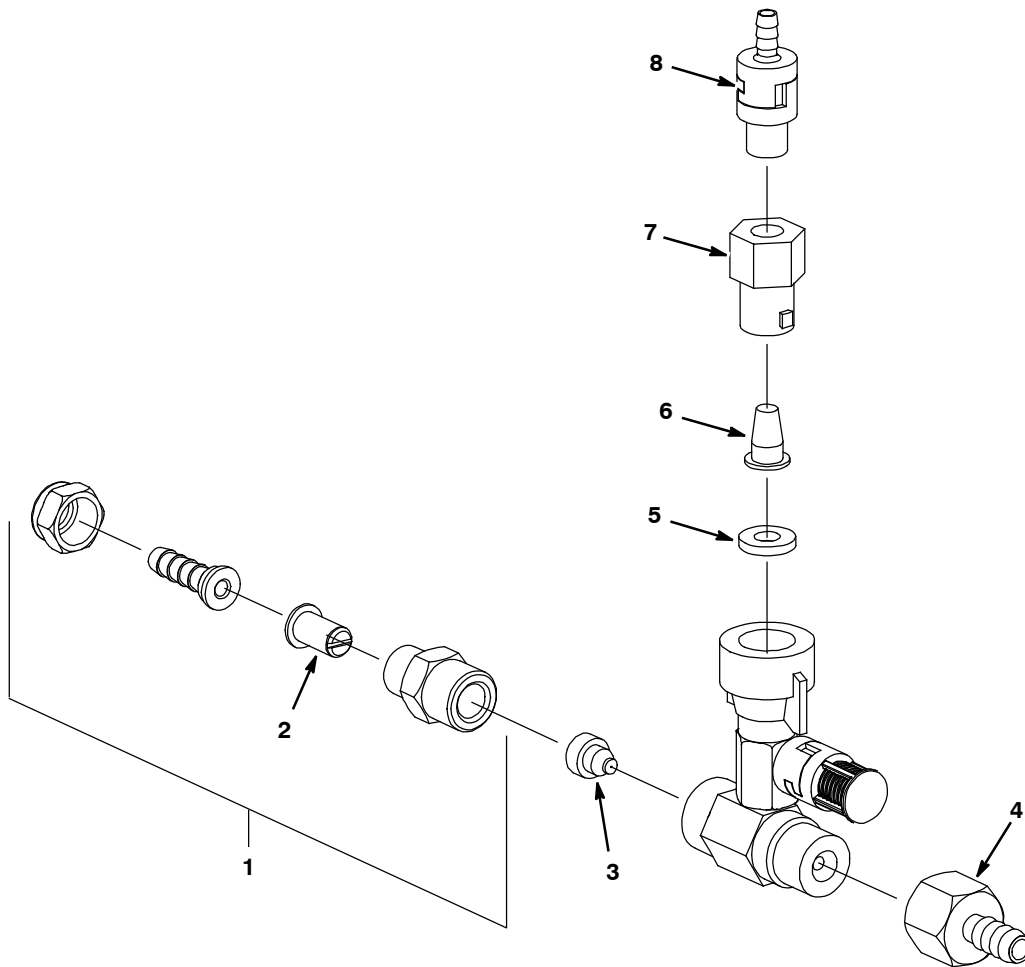
Ref.	Part No.	Serial Number	Description	Qty.
▽	9003907	(10348538- 10538042)	Fast Kit, Injector[T5 60/65cm, Fast li+]	1
▲	1	9003811 (10348538- 10538042)	Fast Kit, Ci[lnj Reblid, T5 60/65cm, li+]	1
▲	2	9003008 (10348538- 10538042)	Fast Kit, Ci, Injector Seals [Fast li+]	1
▲	3	9003009 (10348538-)	Fast Kit, Ci, Injector Filters[Fast li+]	1
▲	4	1032284 (10348538- 10538042)	Plate Assy, Orifice, 0.007id, Red	1
▲	5	1039989 (10348538-)	Plug, Orifice, 0.030, Ss [Fast li+]	1
▲	6	1030444 (10348538-)	Valve, Check, 0002psi [Fast li+]	1
▲	7	1030441 (10348538-)	Valve, Check, 0005psi [Fast li+]	1

▽ ASSEMBLY

▲ INCLUDED IN ASSEMBLY

STANDARD PARTS

9003810 FAST INJECTOR ASSEMBLY BREAKDOWN (S/N 00000000- 10348537) 600 mm DISK & 650 mm CYLINDRICAL MODELS

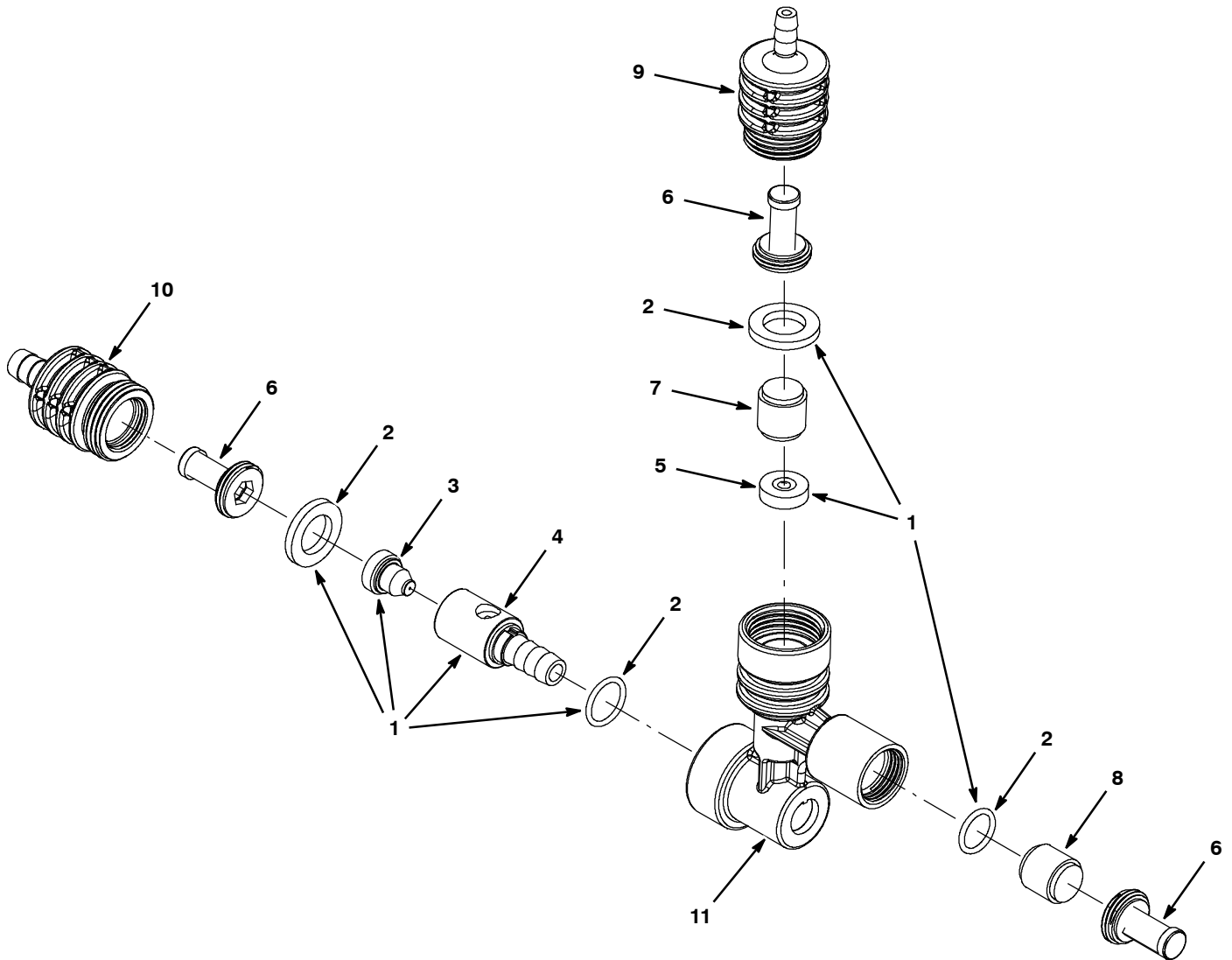


Ref.	Part No.	Serial Number	Description	Qty.
▽	9003810	(00000000- 10348537)	Fast Kit, Conv, Ci[T5 60/65cm, Fast li+]	1
▲	1	1013411 (00000000- 10348537)	Filter Assy, 050mesh	1
▲	2	1006447 (00000000- 10348537)	Vr, Filter, Screen, 050 Mesh .59d .8l Ss	1
	3	1039988 (00000000- 10348537)	Plug, Orifice, 0.027, Ss [Fast li+]	1
	4	1014276 (00000000- 10348537)	Fitting, Brs, Str, Bm06/Pf08	1
	5	1032284 (00000000- 10348537)	Plate Assy, Orifice, 0.007id, Red	1
	6	1029355 (00000000- 10348537)	Vr, Filter, Screen, 200 Mesh .59d .8l Ss	1
	7	1005507 (00000000- 10348537)	Fitting, Plstc, Body, Spray, Pf04	1
	8	1014254 (00000000- 10348537)	Valve, Check, 0002psi Bm04/Pm04	1

▽ ASSEMBLY

▲ INCLUDED IN ASSEMBLY

9008887 FAST INJECTOR ASSEMBLY BREAKDOWN (S/N 10582617-),
700 mm / 800 mm DISK & 800 mm CYLINDRICAL MODELS



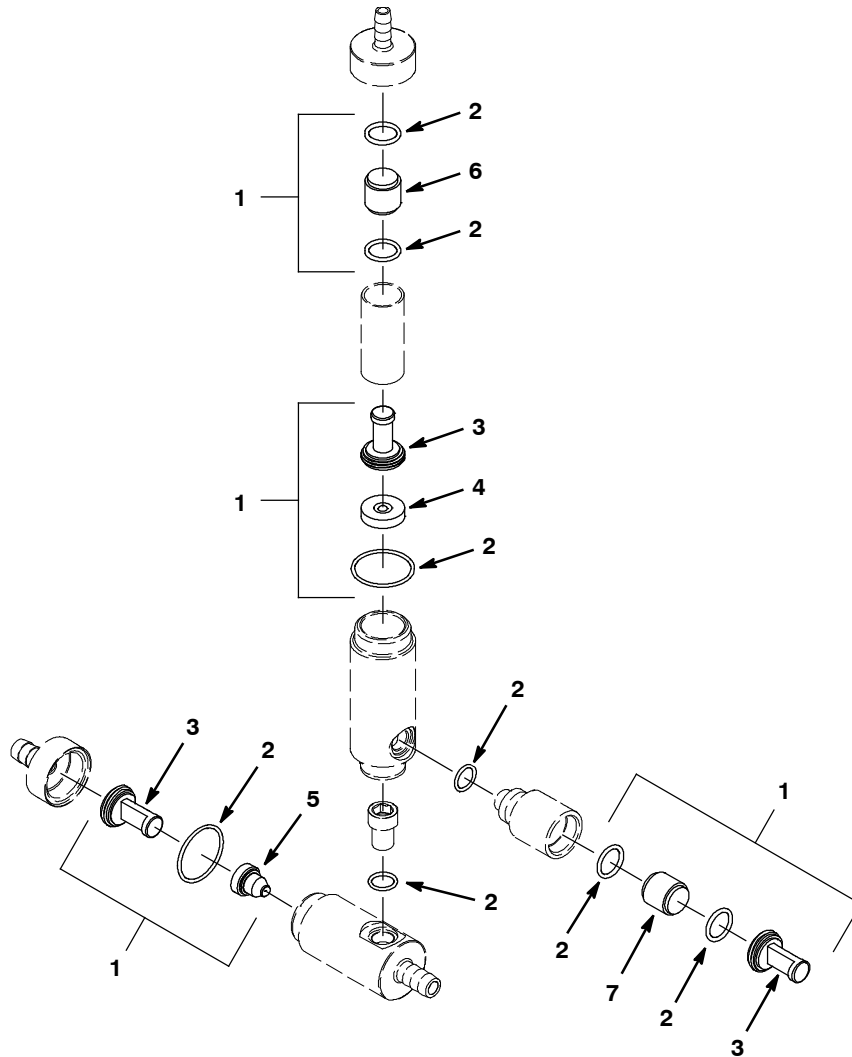
Ref.	Part No.	Serial Number	Description	Qty.	
▽	9008887	(10582617-) Fast Kit, Injector[T5 70/80cm, Fast lii]	1	
▲▽	1	9008888	(10582617-) Fast Kit, Ci[Inj Reblid, T5 70/80cm, lii]	1
▲▲	2	9008848	(10582617-) Fast Kit, Seal, Injector, Ci [Fast lii]	1
▲▲	3	1039579	(10347532-) Plug, Orifice, 0.033, Ss [Fast li+]	1
▲▲	4	1059250	(10582617-) Insert, Venturi, Medium, [Fast lii]	1
▲▲	5	1059875	(10582617-) Plate Assy, Orifice, 0.0075id, Blue	1
▲	6	9003009	(10347532-) Fast Kit, Ci, Injector Filters[Fast li+]	1
▲	7	1030444	(10347532-) Valve, Check, 0002psi [Fast li+]	1
▲	8	1030441	(10347532-) Valve, Check, 0005psi [Fast li+]	1
▲	9	1058126	(10582617-) Housing, Fltr, Upper [Fast lii]	1
▲	10	1057811	(10582617-) Housing, Fltr, Lower [Fast lii]	1
▲	11	1053564	(10582617-) Housing, Body, Injector [Fast lii]	1

▽ ASSEMBLY

▲ INCLUDED IN ASSEMBLY

STANDARD PARTS

9003908 FAST INJECTOR ASSEMBLY BREAKDOWN (S/N 10347532- 10582616) 700 mm / 800 mm DISK & 800 mm CYLINDRICAL MODELS

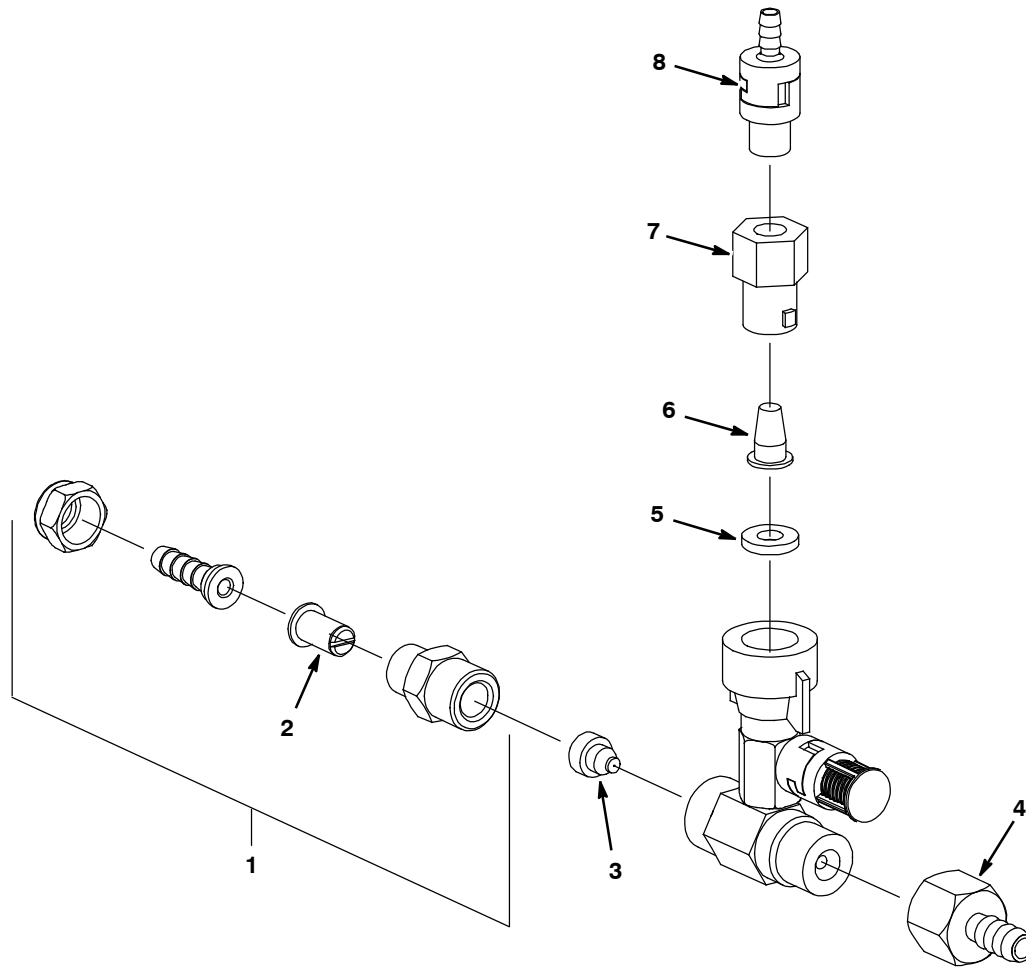


Ref.	Part No.	Serial Number	Description	Qty.
▽	9003908	(10347532- 10582616)	Fast Kit, Injector[T5 70/80cm, Fast li+]	1
▲	1	9003813	(10347532- 10582616) Fast Kit, Ci[lnj Reblid, T5 70/80cm, li+]	1
▲	2	9003008	(10347532- 10582616) Fast Kit, Ci, Injector Seals [Fast li+]	1
▲	3	9003009	(10347532-) Fast Kit, Ci, Injector Filters[Fast li+]	1
▲	4	1039978	(10347532- 10582616) Plate Assy, Orifice, 0.0075id, Blu	1
▲	5	1039579	(10347532-) Plug, Orifice, 0.033, Ss [Fast li+]	1
▲	6	1030444	(10347532-) Valve, Check, 0002psi [Fast li+]	1
▲	7	1030441	(10347532-) Valve, Check, 0005psi [Fast li+]	1

▽ ASSEMBLY

▲ INCLUDED IN ASSEMBLY

9003812 FAST INJECTOR ASSEMBLY BREAKDOWN (S/N 0000000- 10347531)
700 mm / 800 mm DISK & 800 mm CYLINDRICAL MODELS

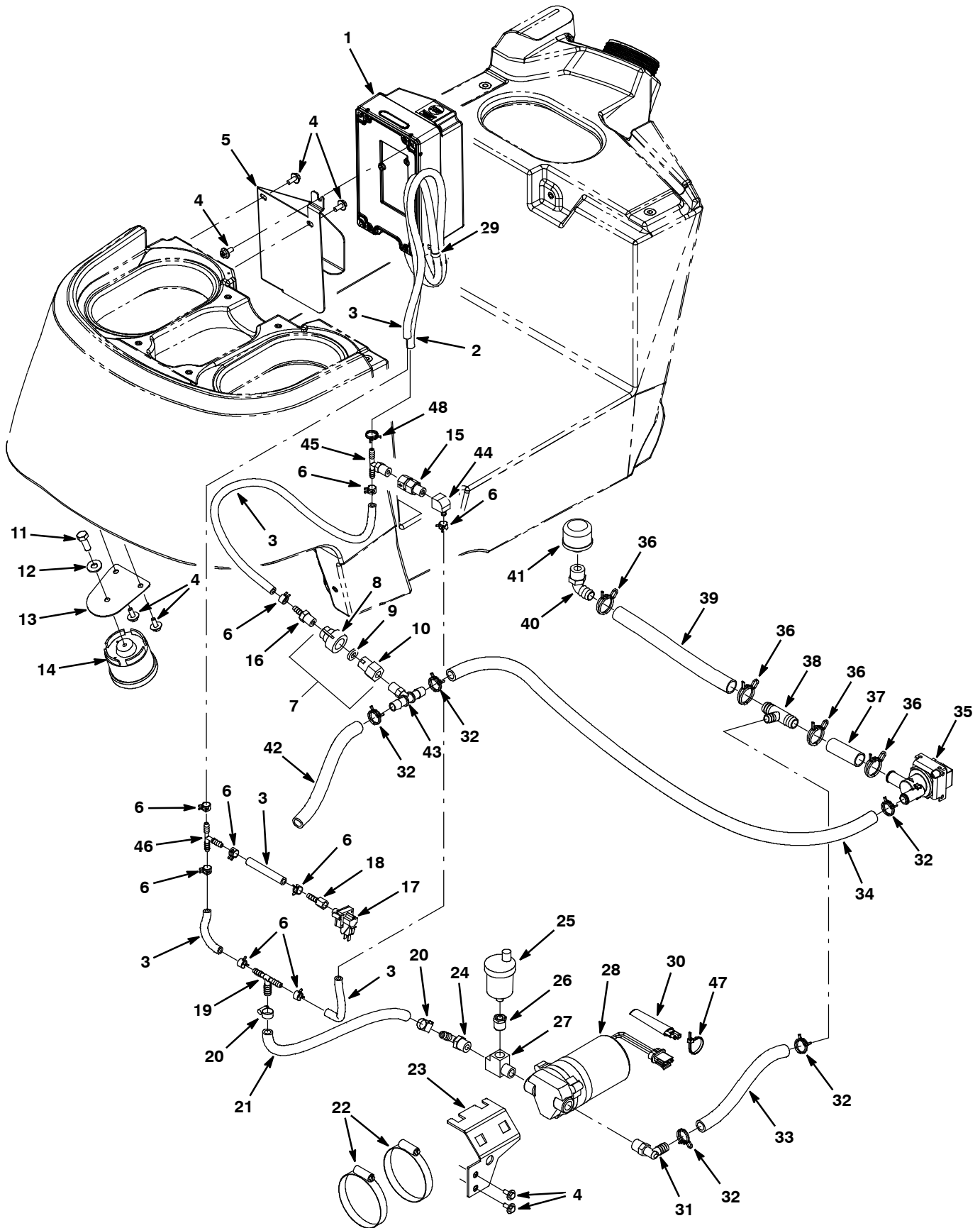


Ref.	Part No.	Serial Number	Description	Qty.
▽	9003812	(00000000- 10347531)	Fast Kit, Conv, Ci[T5 70/80cm, Fast li+]	1
▲	1	1013411 (00000000- 10347531)	Filter Assy, 050mesh	1
▲	2	1006447 (00000000- 10347531)	Vr, Filter, Screen, 050 Mesh .59d .8l Ss	1
	3	1039579 (00000000- 10347531)	Plug, Orifice, 0.033, Ss [Fast li+]	1
	4	1014276 (00000000- 10347531)	Fitting, Brs, Str, Bm06/Pf08	1
	5	1039978 (00000000- 10347531)	Plate Assy, Orifice, 0.0075id, Blu	1
	6	1029355 (00000000- 10347531)	Vr, Filter, Screen, 200 Mesh .59d .8l Ss	1
	7	1005507 (00000000- 10347531)	Fitting, Plstc, Body, Spray, Pf04	1
	8	1014254 (00000000- 10347531)	Valve, Check, 0002psi Bm04/Pm04	1

▽ ASSEMBLY

▲ INCLUDED IN ASSEMBLY

SOLUTION GROUP, *ec-H2O* MODEL



SOLUTION GROUP, *ec-H2O* MODEL

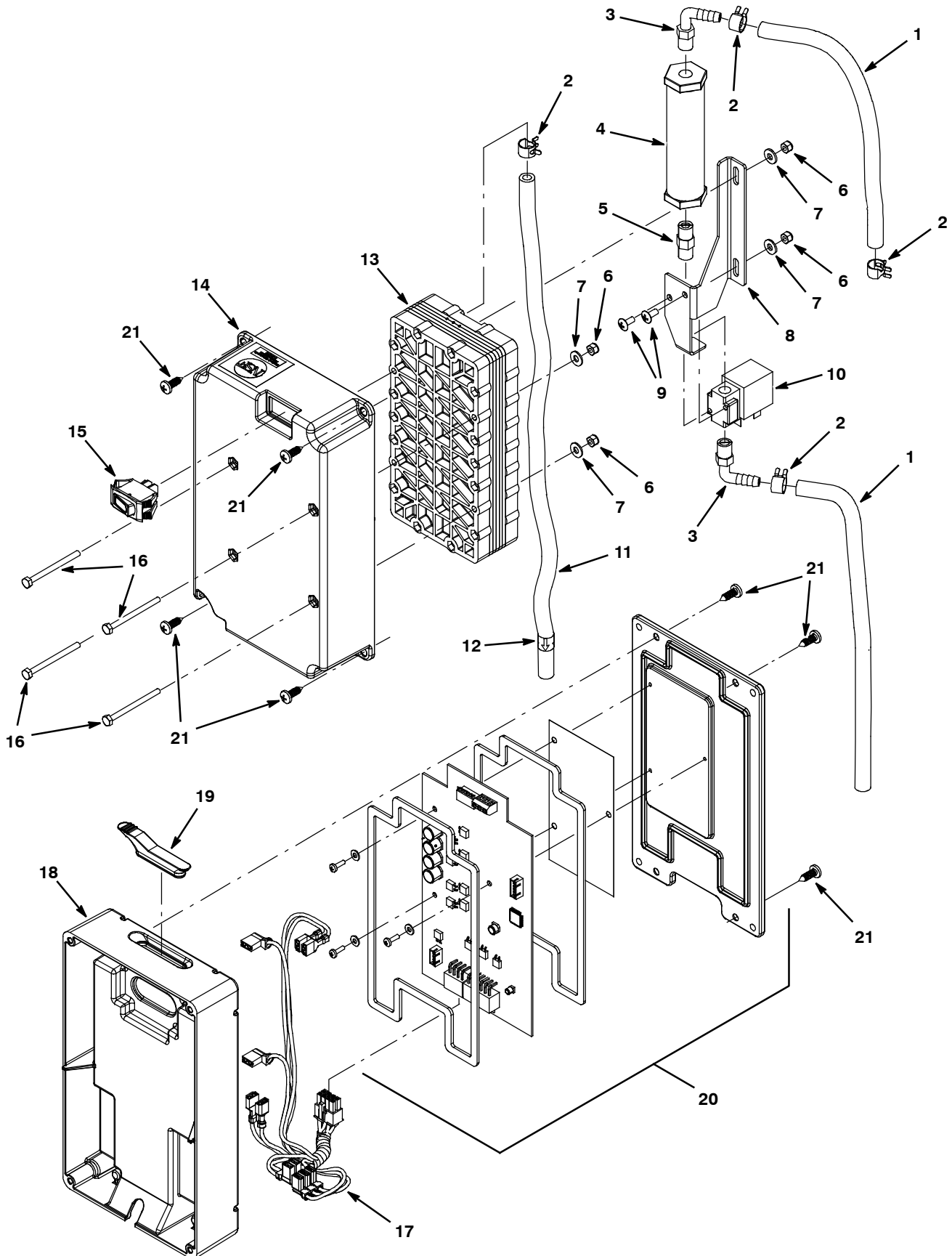
Ref.	Part No.	Serial Number	Description	Qty.	
1	9006161	(10378380-) Module Kit, Replmt [Ec- H2o] (See Breakdown)	1	
2	9004606	(10378380-) Hose, Pvc, Brd, .25id .45od 46l, Clr	1	
3	578820000	(10378380-) Hose, Pvc, Brd, 0.25id 0.44od 157.2l,Clr	1	
4	1034731	(00000000-) Screw, Hex, M6 X 1.00 X 16, Sems, Ss	7	
5	1040881	(10378380-) Bracket, Mtg, Martini [T5]	1	
6	603654	(10378380-) Clamp, Hose, Ear, .44d [Ctb]	9	
▽	7	1043866	(10378380-) Fitting Assy, Qd, Pf04	1
▲	8	1005506	(10378380-) Fitting, Plstc, Cap, Spray, Pf04	1
▲	9	1047655	(10378380-) Washer, Flat, 0.40b 0.75d .12 [Viton]	1
▲	10	1005507	(10378380-) Fitting, Plstc, Body, Spray, Pf04	1
11	01697	(10378380-) Screw, Hex, .25- 20 X 0.62, Ss	1	
12	01685	(10378380-) Washer, Flat, 0.38b 0.88d .08, Ss	1	
13	1044192	(10378380-) Bracket, Mtg, Horn [Ec- H2o]	1	
14	1018505	(10446231-) Horn, 12- 48vdc [88.5 Decibels]	1	
14	392937	(10378380- 10446230) Horn, 12- 48vdc [94 Decibels]	1	
15	1044790	(10378380-) Valve, Check, 0025psi Pm04/Pf04	1	
16	50901	(10378380-) Fitting, Plstc, Str, Bm04/Pm04	1	
17	1044414	(10378380-) Switch, Press, 12psi, Pm02	1	
18	150520	(10378380-) Fitting, Brs, Str, Bm04/Pf02	1	
19	1014441	(10378380-) Fitting, Plstc, Tee, Bm04/Bm04/Bm06, Br	1	
20	54333	(10378380-) Clamp, Hose, Wormdrive, 0.31- 0.88d, .31w	2	
21	1006400	(10378380-) Hose, Afmkt, Pvc, Brd, 0.38id, 03ft, Clr	1	
22	43555	(00000000-) Clamp, Hose, Wormdrive, 2.50- 3.50d, .50w	2	
23	1023463	(00000000-) Bracket, Mtg, Pump [T5]	1	
24	1005630	(00000000-) Fitting, Plstc, E90, Bm06/Pm06, Nyl	1	
25	1017386	(00000000-) Valve, Vent, Air, Float Type	1	
26	24698	(00000000-) Fitting, Brs, Str, Pf02/Pm06	1	
27	601483	(00000000-) Fitting, Brs, Tee, Pf06/Pf06/Pm06, Run	1	
28	1042495	(10378380-) Pump, Soltn, Ele, 24vdc, 35psi (See Breakdown)	1	
29	140328	(00000000-) Clamp, Cable, Nyl, 0.38d, Blk	1	
30	1040868	(10378380-) Capacitor, Plug [.01 Uf, 200v]	1	
31	1017532	(00000000-) Fitting, Plstc, E90, Bm08/Pm06	1	
32	607776	(00000000-) Clamp, Hose, Wir, .73 - .77, Silver	5	
33	613521	(00000000-) Hose, Pvc, Clr, 0.50id 0.75od 012.0l (611259)	1	
34	613531	(00000000-) Hose, Pvc, Clr, 0.50id 0.75od 045.0l (611259)	1	
35	1013599	(00000000-) Valve, Water, Solenoid, 24vdc Bm10/Bm10	1	
36	1041978	(00000000-) Clamp, Hose, Wir, .85 - .90, Silver	4	
37	605099	(00000000-) Hose, Pvc, Clr, 0.62id 0.88od 003.0l (611259)	1	
38	1015486	(00000000-) Fitting, Plstc, Tee, Bm08/Bm10/Bm10, Br	1	
39	1035355	(00000000-) Hose, Afmkt, Pvc, Clr, 0.62id, 02ft (611259)	1	
40	630371	(00000000-) Fitting, Plstc, E90, Bm10/Pm08	1	
41	1015522	(00000000-) Filter, Screen, 080mesh, Ss, Pf08	1	
42	613521	(00000000-) Hose, Pvc, Clr, 0.50id 0.75od 012.0l (611259)	1	
43	1010791	(10378380-) Fitting, Plstc, Tee, Bm08/Bm08/Pm04, Br	1	
44	1028773	(10378380-) Fitting, Brs, E90, Bm04/Pf04	1	
45	607306	(10378380-) Fitting, Plstc, Tee, Bm04/Bm04/Pm04, Br	1	
46	150713	(10378380-) Fitting, Plstc, Tee, Bm04/Bm04/Bm04	1	
47	130773	(10378380-) Tie, Cable, Nyl, 11.0l, .14w, 3.0 Max. D	1	
48	613735	(10378380-) Clamp, Hose, Wir, .40 - .42, Yel	1	

▽ ASSEMBLY

▲ INCLUDED IN ASSEMBLY

STANDARD PARTS

ec-H2O MODULE ASSEMBLY BREAKDOWN, 9007970 (S/N 10448305-)



ec-H2O MODULE ASSEMBLY BREAKDOWN, 9007970 (S/N 10448305-)

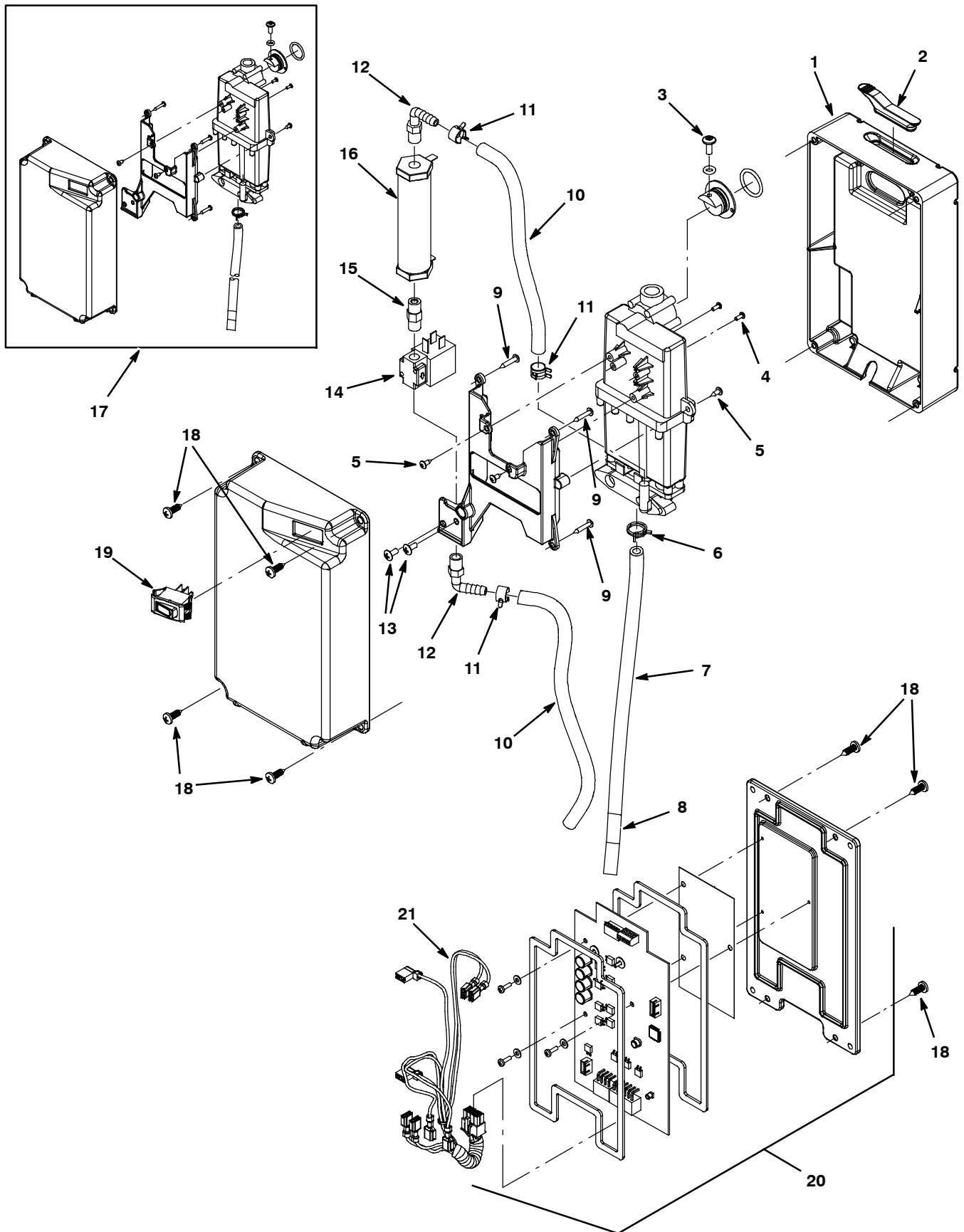
Ref.	Part No.	Serial Number	Description	Qty.
▽	9007970	(00000000-) Module Kit, Replmt [Ec- H2o]	1
▲▽	9006324	(00000000-) Ec- H2o Kit [Module B, Plumbing]	1
▲▲	1 578820000	(00000000-) Hose, Pvc, Brd, 0.25id 0.44od 157.2l,Clr	1
▲▲	2 603654	(00000000-) Clamp, Hose, Ear, .44d [Ctb]	4
▲▲	3 1037595	(00000000-) Fitting, Plstc, E90, Bm04/Pm02, Nyl	2
▲▲	4 1062006	(00000000-) Electrode, Cylindrical	1
▲▲	5 1045030	(00000000-) Fitting, Brs, Str, Pm02/Pm02	1
▲▲	6 33932	(00000000-) Nut, Hex, Lock, M4 X 0.70, NI, Ss	4
▲▲	7 41579	(00000000-) Washer, Flat, 08, Ss	4
▲▲	8 1048490	(00000000-) Bracket, Valve	1
▲▲	9 140801	(00000000-) Screw, Trs, Phl, 08- 32 X 0.38, Ss	2
▲▲	10 1013236	(00000000-) Valve, Shutoff, Ele, 24vdc	1
▲▲	11 9006574	(00000000-) Hose, Pvc, Brd, 0.25id 0.45od, 65l, Clr	1
▲▲	12 1049637	(00000000-) Label, Direction [Ec- H2o]	1
▲▲	13 1057637	(00000000-) Electrode, 5 Plate, High Flow	1
▲▲	14 1051519	(00000000-) Housing, Upper, Module, High Flow	1
▲▲	15 1044393	(00000000-) Switch, Rocker, Spst, Mom,	1
▲▲	16 32509	(00000000-) Screw, Hex, M4 X 0.70 X 50, Ss	4
▲▲	17 1049489	(00000000-) Harness, Main, Controller [Ec- H2o, P3]	1
▲	18 1037032	(00000000-) Housing, Bottom	1
▲	19 1054776	(00000000-) Grommet, Blind	1
▲	20 9007969	(00000000-) Controller Kit, Replmt [Ec- H2o]	1
▲	21 1018155	(00000000-) Screw, Pan, Phl, M5 X 0.80 X 16, Tcut,Ss	8

▽ ASSEMBLY

▲ INCLUDED IN ASSEMBLY

STANDARD PARTS

ec-H2O MODULE ASSEMBLY BREAKDOWN, 9006161 (S/N 10378380- 10448304)



ec-H2O MODULE ASSEMBLY BREAKDOWN, 9006161 (S/N 10378380- 10448304)

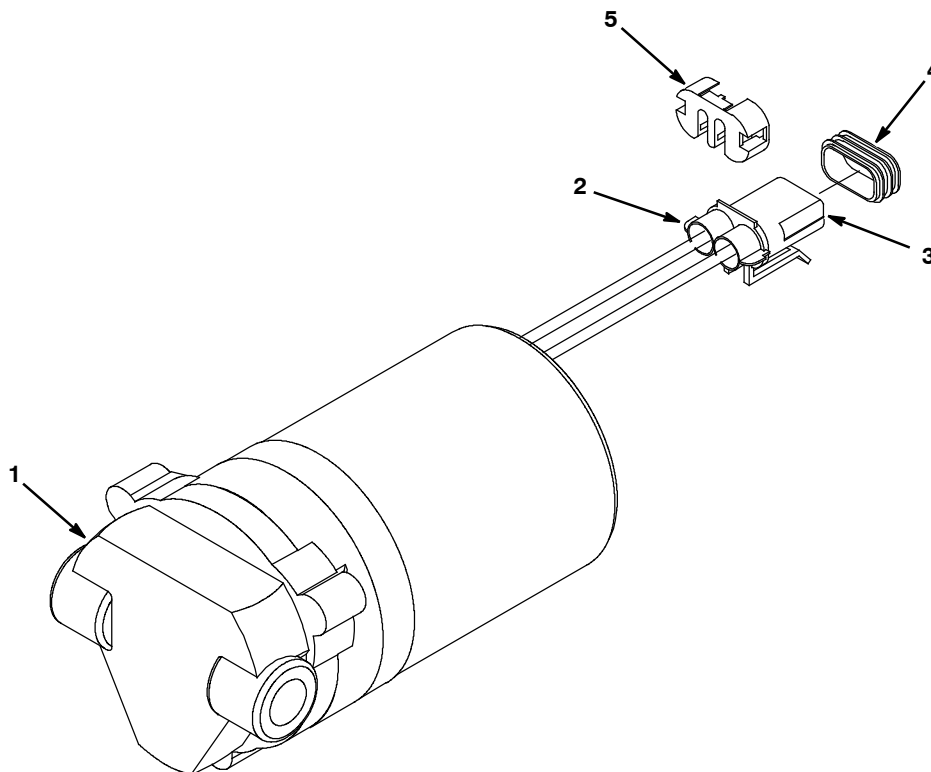
Ref.	Part No.	Serial Number	Description	Qty.
▽	9006161	(10378380- 10448304)	Module Kit, Replmt [Ec- H2o]	1
▲	1	1037032 (10378380-)	Housing, Bottom	1
▲	2	1054776 (10378380-)	Grommet, Blind	1
▲	3	609062 (10378380- 10448304)	Screw, Trs, Phl, 08- 32 X 0.38, Ss	1
▲	4	578860 (10378380- 10448304)	Screw, Pan, Phl, 04- 40 X 0.31, Pl	2
▲	5	3701.6 (10378380- 10448304)	Screw, Pan, Phl, 06- 32 X 0.38, Shtmtl,Ss	4
▲	6	613735 (10378380-)	Clamp, Hose, Wir, .40 - .42, Yel	1
▲	7	9004606 (10378380- 10448304)	Hose, Pvc, Brd, .25id .45od 46l, Clr	1
▲	8	1049637 (10378380-)	Label, Direction [Ec- H2o]	1
▲	9	140826 (10378380- 10448304)	Screw, Pan, 06- 32 X 0.75, Fmg/Ab, Ss	4
▲	10	578820000 (10378380-)	Hose, Pvc, Brd, 0.25id 0.44od 157.2l,Clr	1
▲	11	603654 (10378380-)	Clamp, Hose, Ear, .44d [Ctb]	4
▲	12	1037595 (10378380-)	Fitting, Plstc, E90, Bm04/Pm02, Nyl	2
▲	13	140801 (10378380- 10448304)	Screw, Trs, Phl, 08- 32 X 0.38, Ss	2
▲	14	1013236 (10378380-)	Valve, Shutoff, Ele, 24vdc	1
▲	15	1045030 (10378380-)	Fitting, Brs, Str, Pm02/Pm02	1
▲	16	1038159 (10378380-)	Electrode, Cylindrical	1
▲	17	N/A (10378380- 10448304)	Replaced By E- Cell Upgrade Kit P/N 9006324 (Includes Items 1- 17 On Page 63)	1
▲	18	1018155 (10378380-)	Screw, Pan, Phl, M5 X 0.80 X 16, Tcut,Ss	8
▲	19	1044393 (10378380-)	Switch, Rocker, Spst, Mom,	1
▲	20	9006159 (10378380-)	Controller Kit, Replmt [Ec- H2o]	1
▲	21	1044399 (10378380- 10448304)	Harness, Main, Controller [Ec- H2o, P3]	1

▽ ASSEMBLY

▲ INCLUDED IN ASSEMBLY

STANDARD PARTS

1042495 *ec-H2O* SOLUTION PUMP BREAKDOWN

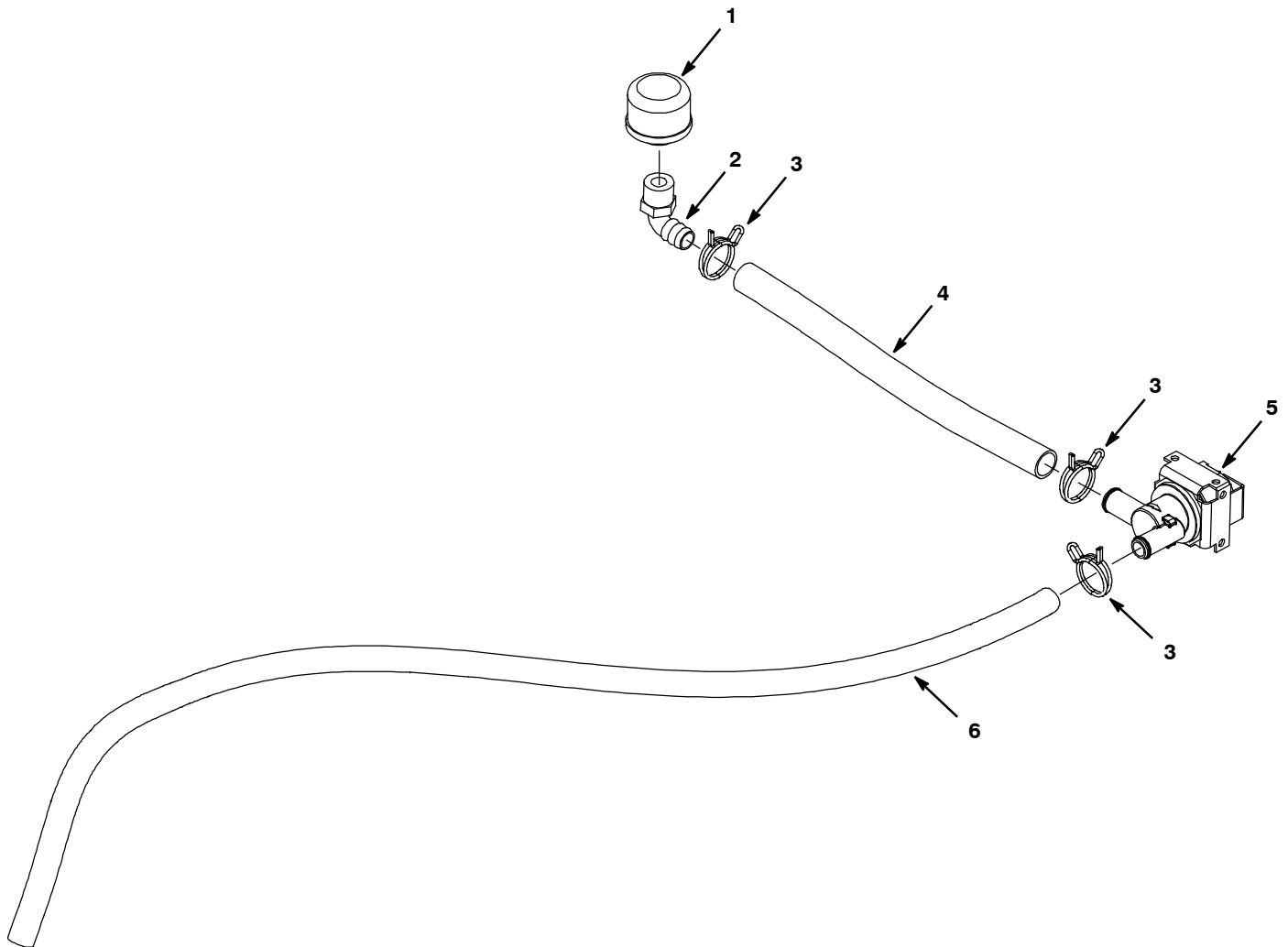


Ref.	Part No.	Serial Number	Description	Qty.	
▽	1042495	(10378380-) Pump, Soltn, Ele, 24vdc, 35psi	1	
▲	1	9004759	(10378380-) Pump Kit, Head, Soltn [Echo]	1
▲	2	78950	(10378380-) Connector, Fem, 02cav, Mp280 Sealed	1
▲	3	78951	(10378380-) Terminal, Fem, Mp280, Sealed, 18- 16ga	1
▲	4	10917	(10378380-) Seal, Wire, 14/16ga [Wp / Mp280 Sealed]	1
▲	5	78952	(10378380-) Lock, Secondary, 2cav, Mp280 Sealed	1

▽ ASSEMBLY

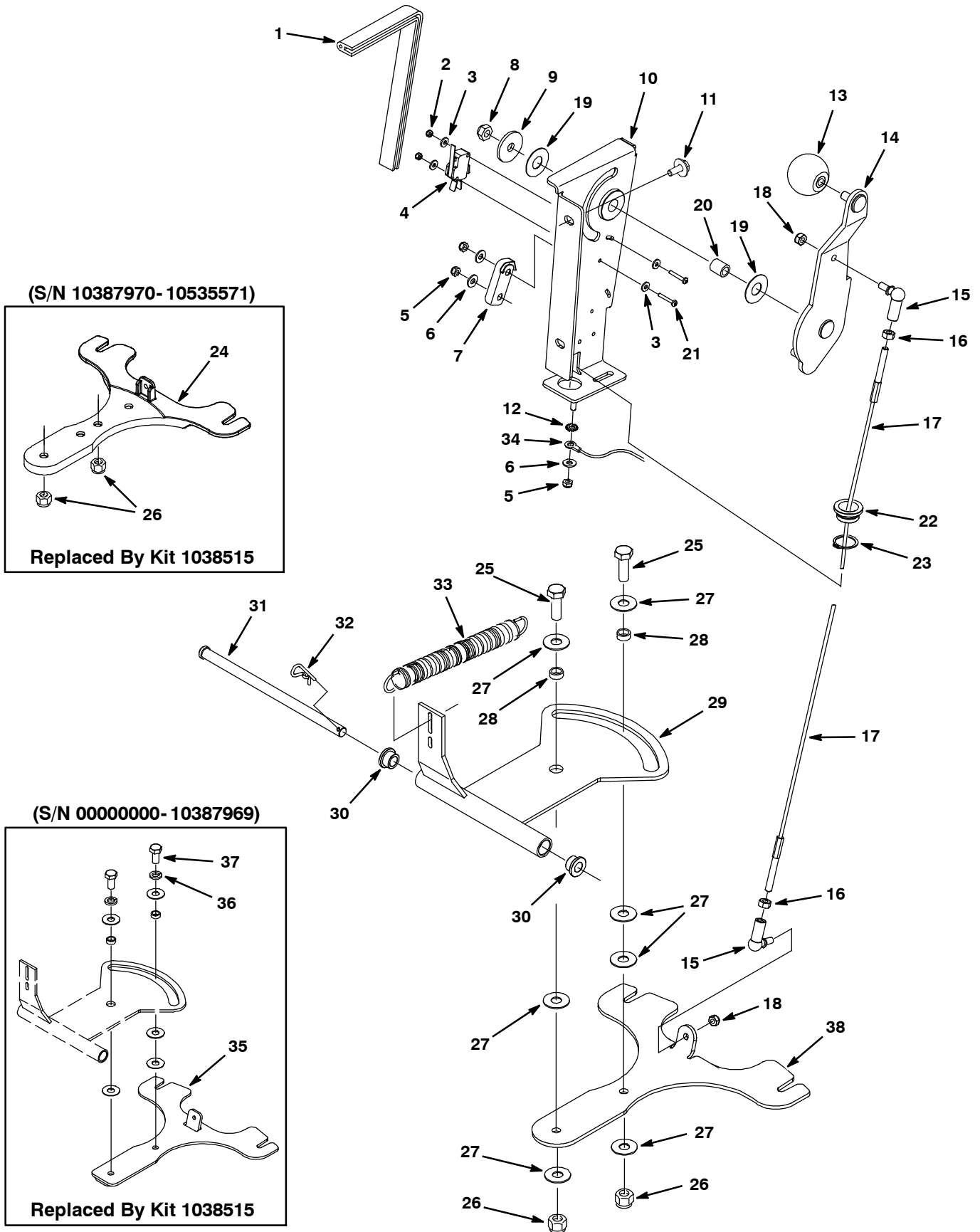
▲ INCLUDED IN ASSEMBLY

SOLUTION GROUP, STANDARD MODEL



Ref.	Part No.	Serial Number	Description	Qty.
1	1015522	(00000000-) Filter, Screen, 080 Mesh, Pf08, Ss	1
2	630371	(00000000-) Fitting, Plstc, E90, Bm10/Pm08	1
3	1041978	(00000000-) Clamp, Hose, Wir, .85 - .90, Silver	3
4	1035355	(00000000-) Hose, Afrmkt, Pvc, Clr, 0.62id, 02ft	1
5	1013599	(00000000-) Valve, Water, Solenoid, 24vdc, 10bm/10bm	1
6	613531	(00000000-) Tubing 1/2idx3/4od Vinyl 611259 Ft 3.750	1

SQUEEGEE LIFT GROUP



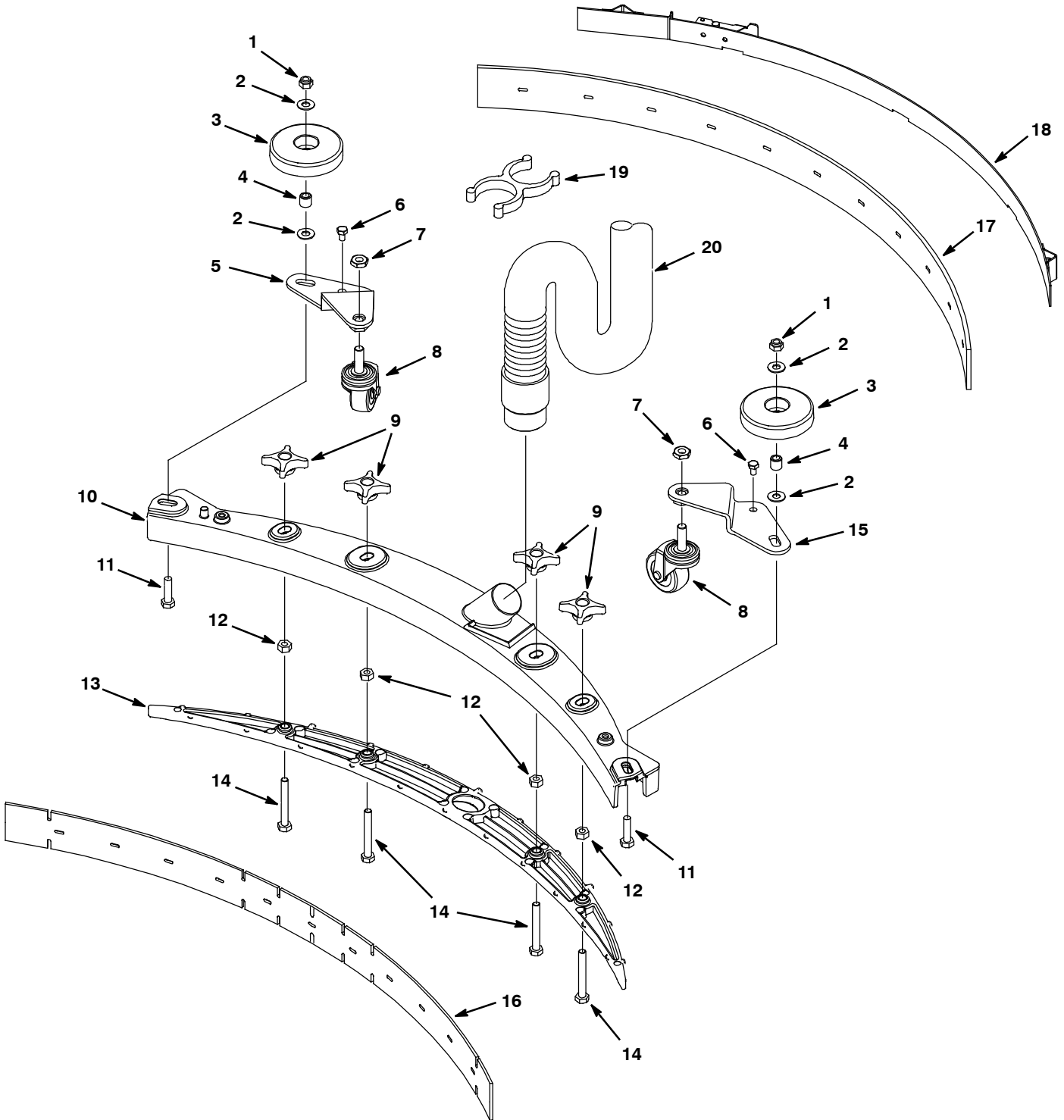
SQUEEGEE LIFT GROUP

Ref.	Part No.	Serial Number	Description	Qty.	
1	1008675	(00000000-) Gasket, Edge, Foam, 24.00l [Fr]	1	
2	579211	(00000000-) Nut, Hex, Lock, M3 X .5, Ss	2	
3	41578	(00000000-) Washer, Flat, #06, Ss	4	
4	1012568	(00000000-) Switch, Snap, 10a, Short	1	
5	09739	(00000000-) Nut, Hex, Lock, M5 X 0.8, NI, Ss	3	
6	01683	(00000000-) Washer, Flat, #10, Ss	3	
7	1024060	(00000000-) Spring, Lever, Sqge, W/ 90° Bend	1	
8	08713	(00000000-) Nut, Hex, Lock, M8 X 1.25, NI, Ss	1	
9	1016331	(00000000-) Washer, Flat, 0.34b 1.25d .11, Ss	1	
10	1020922	(00000000-) Bracket, Lift, Sqge	1	
11	1034731	(00000000-) Screw, Hex, M6 X 1.00 X 16, Sems, Ss	2	
12	140052	(00000000-) Washer, Lock, Ext, 0.25 Ss	1	
13	1017156	(00000000-) Knob, Ball, M8 Insert, 40mmd, Plstc	1	
14	1024354	(00000000-) Lever, Sqge	1	
15	1012747	(00000000-) Balljoint, M6 X 1.0 Fem, M6 X 1.0 Mal	2	
16	07785	(00000000-) Nut, Hex, Std, M6 X 1.00, A2, Ss	2	
17	1024105	(00000000-) Cable, Lift, Sqge	1	
18	08712	(00000000-) Nut, Hex, Lock, M6 X 1.0, Ss, NI	2	
19	1013397	(00000000-) Washer, Flat, M13 X 30 X 0.8, Nyl	2	
20	1014336	(00000000-) Sleeve, P/M, 8.40b 12.60d 14.5l, PI	1	
21	06922	(00000000-) Screw, Pan, M3 X 0.5 X 20, 4.8	2	
22	1009363	(00000000-) Bushing, Cable	1	
23	621236	(00000000-) Ring, Retaining, Ext, 0.81d	1	
▽	24	1038515	(10387970- 10535571) Bracket Kit, Sqge, Conversion [T5]	1	
▲	25	12309	(10387970-) Screw, Hex, M12 X 1.75 X 30, Ss	2
▲	26	09741	(10387970-) Nut, Hex, Lock, M12 X 1.75, NI, Ss	2
▲	27	140045	(00000000-) Washer, Flat, 0.51b 1.25d .06, Ss	7
▲	28	1013662	(00000000-) Bushing, Sleeve, 12mm 16mm 6.5mml, Pm Yw	2
	29	1020974	(00000000-) Bracket Wldt, Pivot, Sqge	1
	30	606058	(00000000-) Bearing, Flng .505id .753od	2
	31	1026232	(00000000-) Pin, Clevis, 0.50 D X 9.25l	1
	32	140626	(00000000-) Pin, Hair Cotter, 0.25 D .125 Wir	1
	33	140423	(00000000-) Spring, Brush Press	1
	34	1029310	(00000000-) Harness, Ground, 12 Awg	1
	35	1024215	(00000000- 10387969) Bracket Wldt, Mtg, Sgg [T5] (REPLACED BY 1038515)	1	
	36	140024	(00000000- 10387969) Washer, Lock, Split, 0.50, Ss	2	
	37	1033003	(00000000- 10387969) Screw, Hex, M12 X 1.75 X 25, NI, Ss	2	
	38	1066260	(10535572-) Bracket, Mtg, Sqge, Stl [T5]	1

▽ ASSEMBLY

▲ INCLUDED IN ASSEMBLY

SQUEEGEE GROUP, 20 in / 500 mm



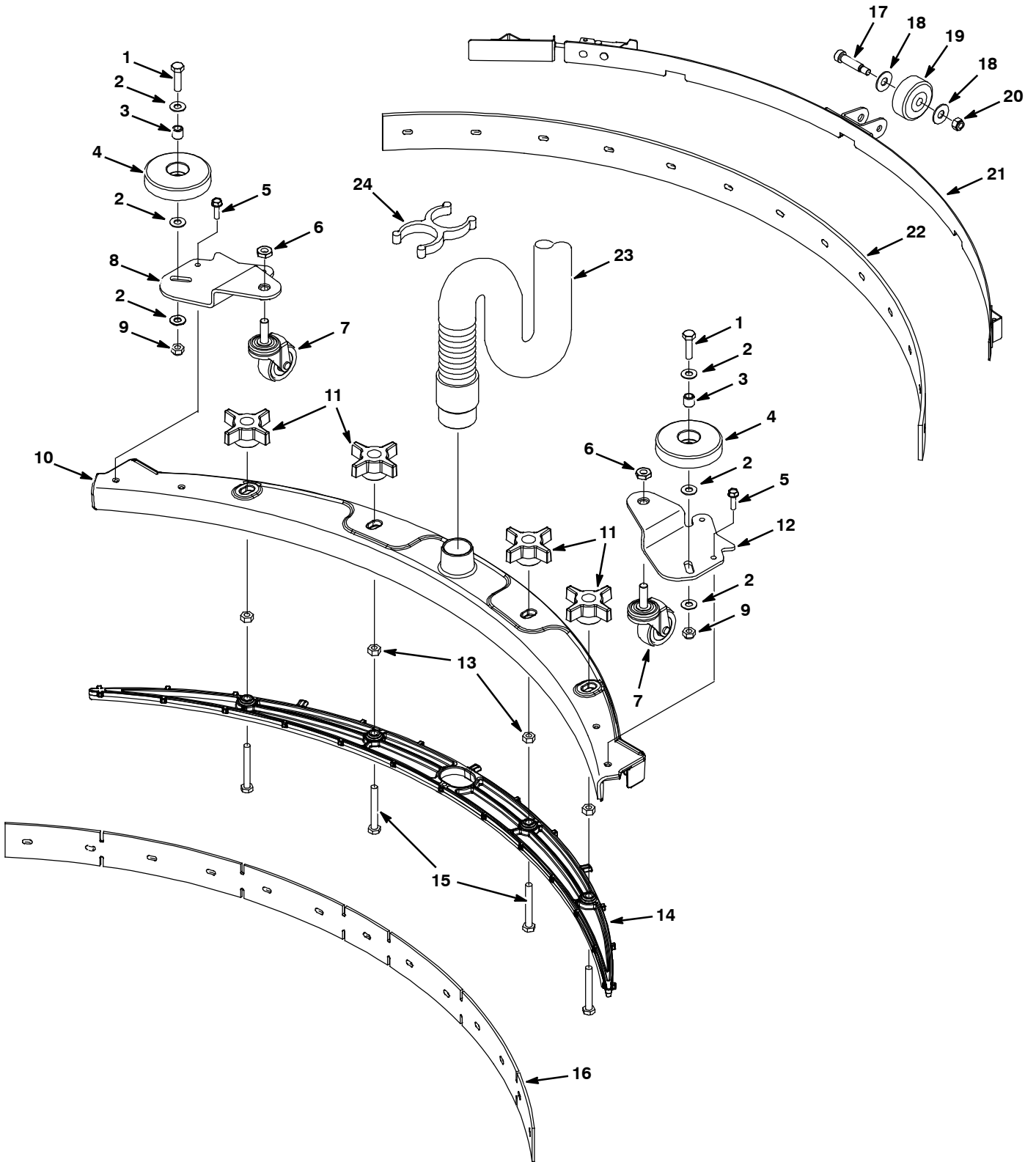
SQUEEGEE GROUP, 20 in / 500 mm

Ref.	Part No.	Serial Number	Description	Qty.
▽	9001178	(00000000-) Squeegee Assy Kit, 500mm, Ci	1
▲	1 08713	(00000000-) Nut, Hex, Lock, M8 X 1.25, NI, Ss	2
▲	2 140027	(00000000-) Washer, Flat, 0.35b 0.75d .04, Ss	4
▲	3 1010560	(00000000-) Wheel, Bmpr, 80d X 25w, Non- Marking	2
▲	4 222460	(00000000-) Sleeve, P/M, 0.31b 0.50d 0.5l [430ss]	2
▲	5 1011228	(00000000-) Plate, Mtg, Caster, Sqge, Rh	1
▲	6 74455	(00000000-) Screw, Hex, M6 X 1.0 X 12, Fmg	2
▲	7 32716	(00000000-) Nut, Hex, Jam, M10 X 1.5, Ss	2
▲	8 1006343	(00000000-) Caster, Swivel, 50mmd, M10 X 30 Stem, PI	2
▲	9 1010558	(00000000-) Knob, Star, 2.00d 4ear 0.7l M8x1.25 Thru	4
▲	10 1011163	(00000000-) Frame, Sqge, 74cm, Die Cast [50cm]	1
▲	11 09011	(00000000-) Screw, Hex, M8 X 1.25 X 30, Ss	2
▲	12 07786	(00000000-) Nut, Hex, Std, M8 X 1.25, Ss	4
▲	13 1019919	(00000000-) Retainer, Sqge, 76cm [50cm] Nyl, Blk	1
▲	14 1014163	(00000000-) Screw, Hex, M8 X 1.25 X 60, Fl, Ss	4
▲	15 1011956	(00000000-) Plate, Mtg, Caster, Sqge, Lh	1
▲	16 1011232	(00000000-) Blade, Sqge, Front, 500mml (Standard)	1
	16 1014091	(00000000-) Blade, Sqge, Front, 500mm, Gum (Optional)	1
	16 1014092	(00000000-) Blade, Sqge, Front, 500mml, Oil- Rstn (Optional)	1
▲	17 1011456	(00000000-) Blade, Sqge, Rear, 500mm Linatex (Standard)	1
	17 1014093	(00000000-) Blade, Sqge, Rear, 500mm Gum (Optional)	1
	17 1014094	(00000000-) Blade, Sqge, Rear, 500mm Oil- Rstn (Optional)	1
▲	18 1013933	(00000000-) Strap Assy, Sqge, 500mm	1
	19 1014079	(00000000-) Clip, Grip, Hose, 1.50id, Dbl, Blk Pyp	1
	20 1014026	(00000000-) Hose, Vacuum, 1.5d X 57l, 2- Short Cuffs	1

▽ ASSEMBLY

▲ INCLUDED IN ASSEMBLY

SQUEEGEE GROUP, 24 in / 600 mm



SQUEEGEE GROUP, 24 in / 600 mm

Ref.	Part No.	Serial Number	Description	Qty.
▽	9002679	(00000000-) Kit, Squeegee, 600mm Ci	1
▲	1 09011	(00000000-) Screw, Hex, M8 X 1.25 X 30, Ss	2
▲	2 140027	(00000000-) Washer, Flat, 0.35b 0.75d .04, Ss	6
▲	3 222460	(00000000-) Sleeve, P/M, 0.496d 0.318b 0.50l 430ss	2
▲	4 1010560	(00000000-) Wheel, Bmpr, 80d X 25w, Non- Marking	2
▲	5 12459	(00000000-) Screw, Hex, M6 X 1.0 X 20, Fmg	4
▲	6 32716	(00000000-) Nut, Hex, Jam, M10 X 1.5, Ss	2
▲	7 1006343	(00000000-) Caster, Swivel, 50mm D, M10 X 30 Stem,Zn	2
▲	8 1023273	(00000000-) Plate, Caster, Mtg, Sqge, Rh	1
▲	9 08713	(00000000-) Nut, Hex, Lock, M8 X 1.25, NI, Ss	2
▲	10 1021798	(00000000-) Frame, Sqge, 89cm [60cm]	1
▲	11 1015911	(00000000-) Knob, Star, 2.75d 4ear 1.1l M8x1.25 Thru	4
▲	12 1023291	(00000000-) Plate, Caster, Mtg, Sqge, Lh	1
▲	13 07786	(00000000-) Nut, Hex, Std, M8 X 1.25, Ss	4
▲	14 1026354	(00000000-) Retainer , Blade, Sqge, 600mm [Plstc]	1
▲	15 1014163	(00000000-) Screw, Hex, M8 X 1.25 X 60, Fl, Ss	4
▲	16 1021804	(00000000-) Blade, Sqge, Front, 88cml [Lnx, 60cm] (Standard)	1
	16 1025333	(00000000-) Blade, Sqge, Front, 88cml, Gum [60cm] (Optional)	1
	16 1025334	(00000000-) Blade, Sqge, Front, 88cml, Ure [60cm] (Optional)	1
▲	17 600187	(00000000-) Bolt, Shld, .38d X 1.25, .31- 18	1
▲	18 140028	(00000000-) Washer, Flat, 0.42b 1.00d .05, Ss	2
▲	19 630477	(00000000-) Wheel, Pyu, 2.0d 0.38w, Gray	1
▲	20 32983	(00000000-) Nut, Hex, Lock, .31- 18, NI	1
▲	21 1022456	(00000000-) Retainer Assy, Blade, Sqge, 600mm	1
▲	22 1021333	(00000000-) Blade, Sqge, Rear, 88cm,Linatex[60cm] (Standard)	1
	22 1025335	(00000000-) Blade, Sqge, Rear, 88cml, Gum [60cm] (Optional)	1
	22 1025336	(00000000-) Blade, Sqge, Rear, 88cm, Ure [60cm] (Optional)	1
	23 1014026	(00000000-) Hose, Vacuum, 1.5d X 57l, 2- Short Cuffs	1
	24 1014079	(00000000-) Clip, Hose, Gripper, 1.50id, Dbl, Blk Pp	1

▽ ASSEMBLY

▲ INCLUDED IN ASSEMBLY

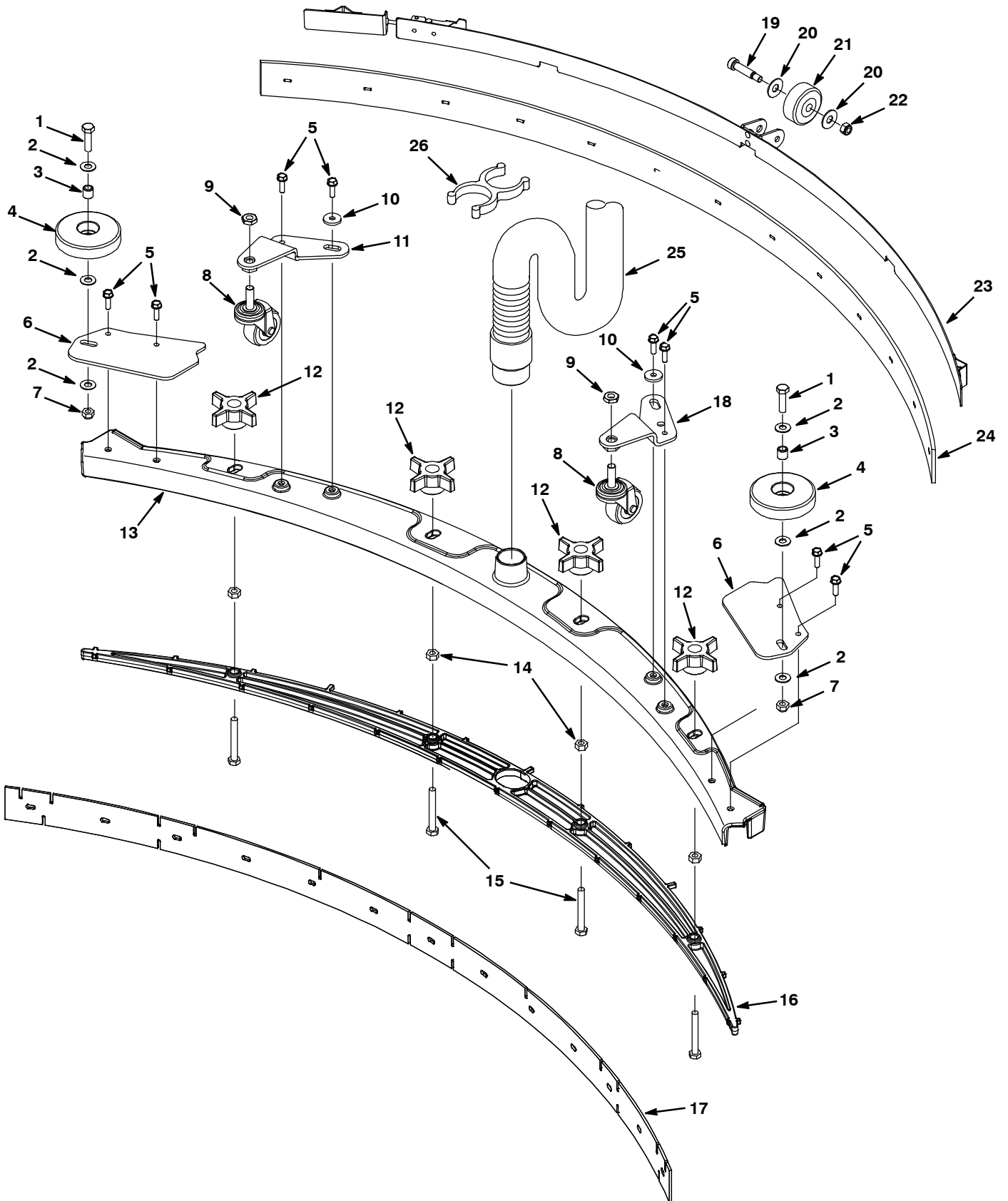
SQUEEGEE GROUP, 26 in / 650 mm & 28 in / 700 mm

Ref.	Part No.	Serial Number	Description	Qty.
▽	9002680	(00000000-) Kit, Squeegee, 700mm Ci	1
▲	1 09011	(00000000-) Screw, Hex, M8 X 1.25 X 30, Ss	2
▲	2 140027	(00000000-) Washer, Flat, 0.35b 0.75d .04, Ss	6
▲	3 222460	(00000000-) Sleeve, P/M, 0.496d 0.318b 0.50l 430ss	2
▲	4 1010560	(00000000-) Wheel, Bmpr, 80d X 25w, Non- Marking	2
▲	5 12459	(00000000-) Screw, Hex, M6 X 1.0 X 20, Fmg	4
▲	6 32716	(00000000-) Nut, Hex, Jam, M10 X 1.5, Ss	2
▲	7 1006343	(00000000-) Caster, Swivel, 50mm D, M10 X 30 Stem,Zn	2
▲	8 1023273	(00000000-) Plate, Caster, Mtg, Sqge, Rh	1
▲	9 08713	(00000000-) Nut, Hex, Lock, M8 X 1.25, NI, Ss	2
▲	10 1023326	(00000000-) Frame, Sqge, 104cm [70cm]	1
▲	11 1015911	(00000000-) Knob, Star, 2.75d 4ear 1.1l M8x1.25 Thru	4
▲	12 1023291	(00000000-) Plate, Caster, Mtg, Sqge, Lh	1
▲	13 07786	(00000000-) Nut, Hex, Std, M8 X 1.25, Ss	4
▲	14 1026416	(00000000-) Retainer, Blade, Sqge, 700mm [Plstc]	1
▲	15 1014163	(00000000-) Screw, Hex, M8 X 1.25 X 60, Fl, Ss	4
▲	16 1023327	(00000000-) Blade, Sqge, Front, 98cml [Lnx, 70cm] (Standard)	1
	16 1025337	(00000000-) Blade, Sqge, Front, 98cml, Gum [70cm] (Optional)	1
	16 1025339	(00000000-) Blade, Sqge, Front, 98cml, Ure [70cm] (Optional)	1
▲	17 600187	(00000000-) Bolt, Shld, .38d X 1.25, .31- 18	1
▲	18 140028	(00000000-) Washer, Flat, 0.42b 1.00d .05, Ss	2
▲	19 630477	(00000000-) Wheel, Pyu, 2.0d 0.38w, Gray	1
▲	20 32983	(00000000-) Nut, Hex, Lock, .31- 18, NI	1
▲	21 1023335	(00000000-) Bracket Wldt, Sqge, Band Clamp, 98cm	1
▲	22 1023329	(00000000-) Blade, Sqge, Rear, 98cm,Linatex[70cm] (Standard)	1
	22 1025340	(00000000-) Blade, Sqge, Rear, 98cml, Gum [70cm] (Optional)	1
	22 1025341	(00000000-) Blade, Sqge, Rear, 98cm, Ure [70cm] (Optional)	1
	23 1014026	(00000000-) Hose, Vacuum, 1.5d X 57l, 2- Short Cuffs	1
	24 1014079	(00000000-) Clip, Hose, Gripper, 1.50id, Dbl, Blk Pp	1

▽ ASSEMBLY

▲ INCLUDED IN ASSEMBLY

SQUEEGEE GROUP, 32 in / 800 mm



SQUEEGEE GROUP, 32 in / 800 mm

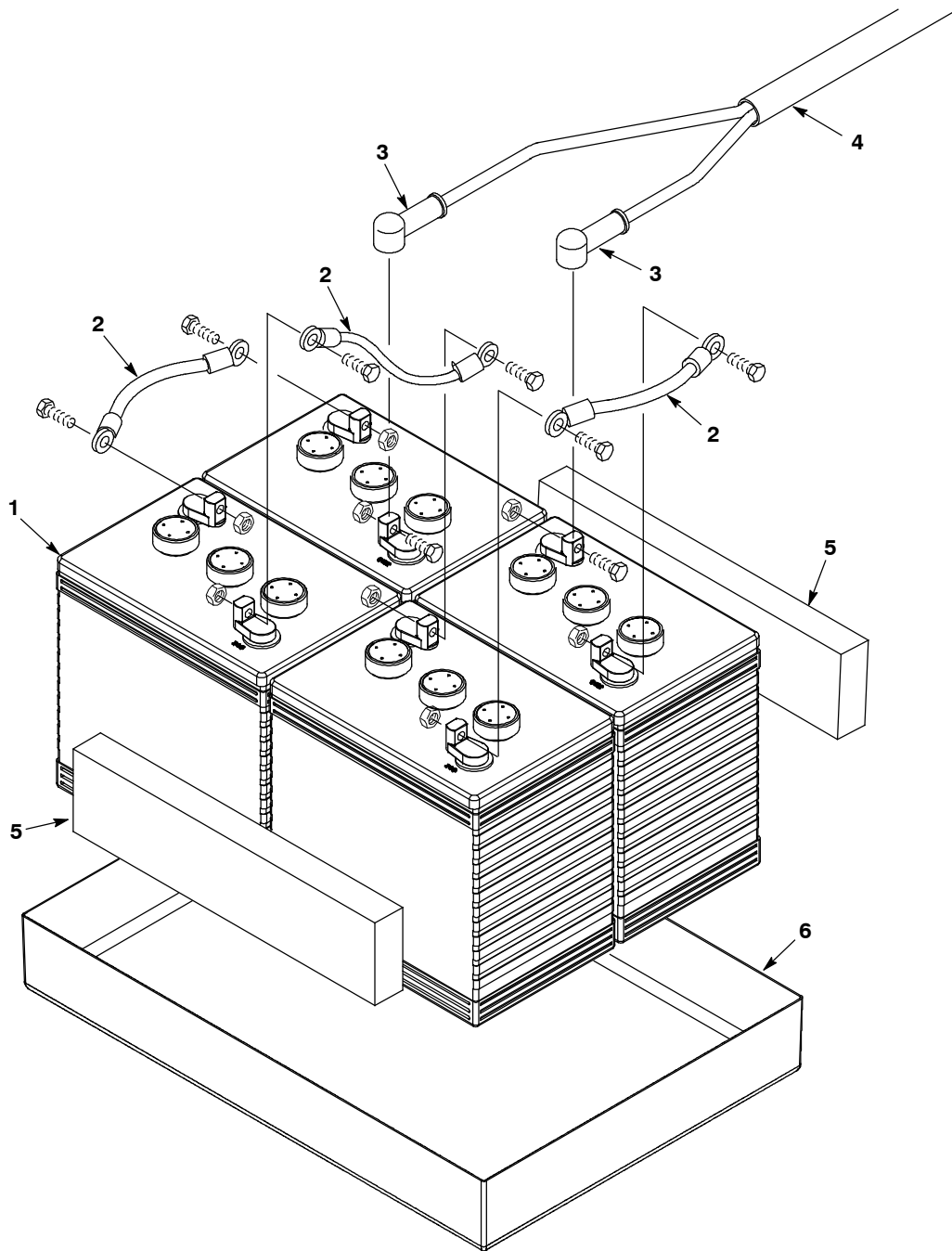
Ref.	Part No.	Serial Number	Description	Qty.
▽	9002681	(00000000-) Kit, Squeegee, 800mm Ci	1
▲	1 09011	(00000000-) Screw, Hex, M8 X 1.25 X 30, Ss	2
▲	2 140027	(00000000-) Washer, Flat, 0.35b 0.75d .04, Ss	6
▲	3 222460	(00000000-) Sleeve, P/M, 0.496d 0.318b 0.50l 430ss	2
▲	4 1010560	(00000000-) Wheel, Bmpr, 80d X 25w, Non- Marking	2
▲	5 12459	(00000000-) Screw, Hex, M6 X 1.0 X 20, Fmg	8
▲	6 1023426	(00000000-) Bracket, Mtg, Sqge Bumper	2
▲	7 08713	(00000000-) Nut, Hex, Lock, M8 X 1.25, NI, Ss	2
▲	8 1006343	(00000000-) Caster, Swivel, 50mm D, M10 X 30 Stem,Zn	2
▲	9 32716	(00000000-) Nut, Hex, Jam, M10 X 1.5, Ss	2
▲	10 140053	(00000000-) Washer, Flat, 0.28b 0.88d .12, Ss	2
▲	11 1011228	(00000000-) Plate, Mtg, Caster, Sqge, Rh	1
▲	12 1015911	(00000000-) Knob, Star, 2.75d 4ear 1.1l M8x1.25 Thru	4
▲	13 1023396	(00000000-) Frame, Sqge, 117cm [80cm]	1
▲	14 07786	(00000000-) Nut, Hex, Std, M8 X 1.25, Ss	4
▲	15 1014163	(00000000-) Screw, Hex, M8 X 1.25 X 60, Fl, Ss	4
▲	16 1024970	(00000000-) Retainer, Blade, Sqge, 800mm [Plstc]	1
▲	17 1023398	(00000000-) Blade, Sqge, Front, 105cm [Linx 80cm] (Standard)	1
	17 1025342	(00000000-) Blade, Sqge, Front, 105cml, Gum[80cm] (Optional)	1
	17 1025343	(00000000-) Blade, Sqge, Front, 105cm, Ure [80cm] (Optional)	1
▲	18 1011956	(00000000-) Plate, Mtg, Caster, Sqge, Lh	1
▲	19 600187	(00000000-) Bolt, Shld, .38d X 1.25, .31- 18	1
▲	20 140028	(00000000-) Washer, Flat, 0.42b 1.00d .05, Ss	2
▲	21 630477	(00000000-) Wheel, Pyu, 2.0d 0.38w, Gray	1
▲	22 32983	(00000000-) Nut, Hex, Lock, .31- 18, NI	1
▲	23 1023400	(00000000-) Retainer Assy, Blade, Sqge, 800mm	1
▲	24 1023399	(00000000-) Blade, Sqge, Rear, 105cml[Linx, 80cm] (Standard)	1
	24 1025344	(00000000-) Blade, Sqge, Rear, 105cml, Gum [80cm] (Optional)	1
	24 1025346	(00000000-) Blade, Sqge, Rear, 105cml, Ure [80cm] (Optional)	1
	25 1014026	(00000000-) Hose, Vacuum, 1.5d X 57l, 2- Short Cuffs	1
	26 1014079	(00000000-) Clip, Hose, Gripper, 1.50id, Dbl, Blk Pp	1

▽ ASSEMBLY

▲ INCLUDED IN ASSEMBLY

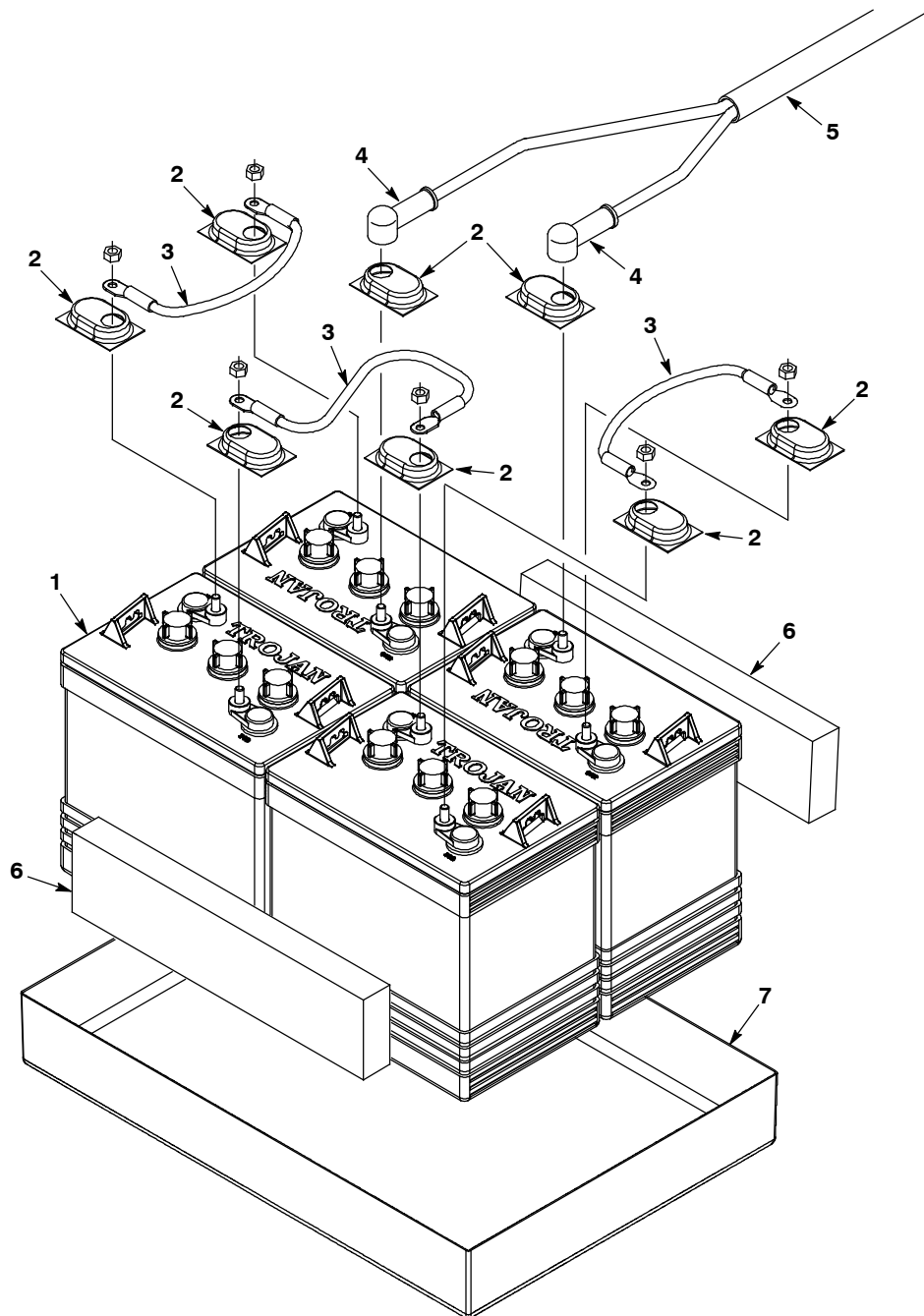
STANDARD PARTS

BATTERY GROUP, MAINTENANCE FREE 220 Ah



Ref.	Part No.	Serial Number	Description	Qty.
1	1074042	(00000000-)	Battery, Agm, 06vdc, 220ah (Discover)	4
2	130364	(00000000-)	Cable, 06ga 15.0l Blk .31ring /.38ring	3
3	611221	(00000000-)	Boot, Terminal, Battery, 25.4mm, Blk	8
4	1067443	(10632988-)	Harness, Battery, Fused, Us [T5]	1
4	1024479	(00000000- 10632987)	Harness, Battery, Us	1
5	630375	(00000000-)	Spacer, Battery, 1.25 X 3.25 X 13.7 Foam	2
6	613971	(00000000-)	Tray, Battery, Trimmed	1

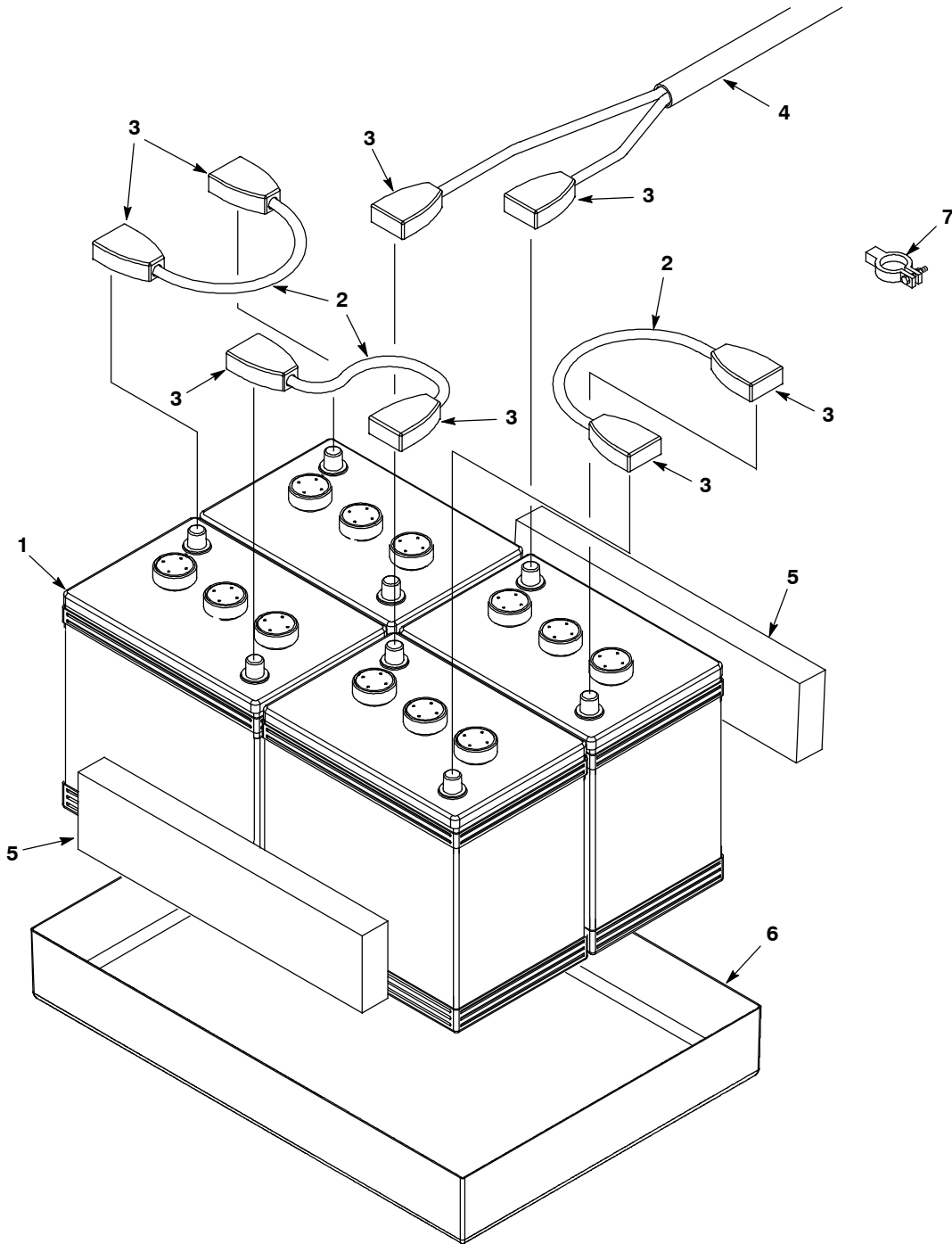
BATTERY GROUP, LEAD-ACID 235 Ah



Ref.	Part No.	Serial Number	Description	Qty.
1	222280	(00000000-) Battery, 06vdc, 235ah, Wet	4
2	45962	(00000000-) Cap, Plstc, .04 1.38 X 2.30 0.5l (Tall Clear - Standard)	8
2	1041030	(00000000-) Cap, Battery (Short Black - Optional)	8
3	130364	(00000000-) Cable, 06ga 15.0l Blk .31ring /.38ring	3
4	611221	(00000000-) Boot, Terminal, Battery, 25.4mm, Blk	8
5	1067443	(10632988-) Harness, Battery, Fused, Us [T5]	1
5	1024479	(00000000- 10632987) Harness, Battery, Us	1
6	630375	(00000000-) Spacer, Battery, 1.25 X 3.25 X 13.7 Foam	2
7	613971	(00000000-) Tray, Battery, Trimmed	1

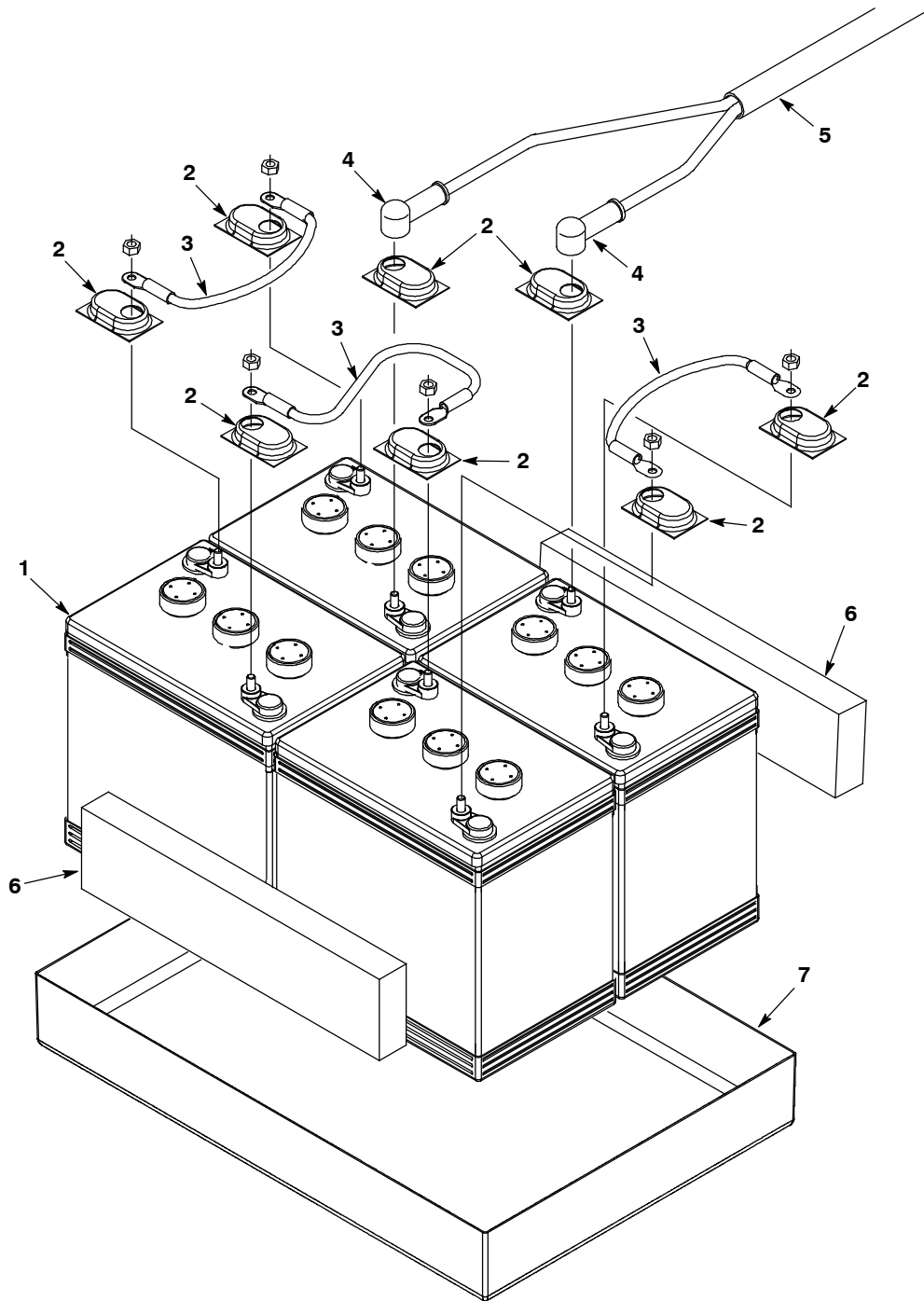
STANDARD PARTS

BATTERY GROUP, MAINTENANCE FREE 160 Ah (JAPAN)



Ref.	Part No.	Serial Number	Description	Qty.
1	994202	(00000000-) Battery, 06vdc 165ah [5h, Gf061602]	4
2	130364	(00000000-) Cable, 06ga 15.0l Blk .31ring /.38ring	3
3	989860	(00000000-) Cover Set, Terminal, Battery	4
4	1067443	(10632988-) Harness, Battery, Fused, Us [T5]	1
4	1024479	(00000000-10632987) Harness, Battery, Us	1
5	630375	(00000000-) Spacer, Battery, 1.25 X 3.25 X 13.7 Foam	2
6	613971	(00000000-) Tray, Battery, Trimmed	1
7	93580	(00000000-) Clamp, Post, Battery, Positive	4
7	93581	(00000000-) Clamp, Post, Battery, Negative	4

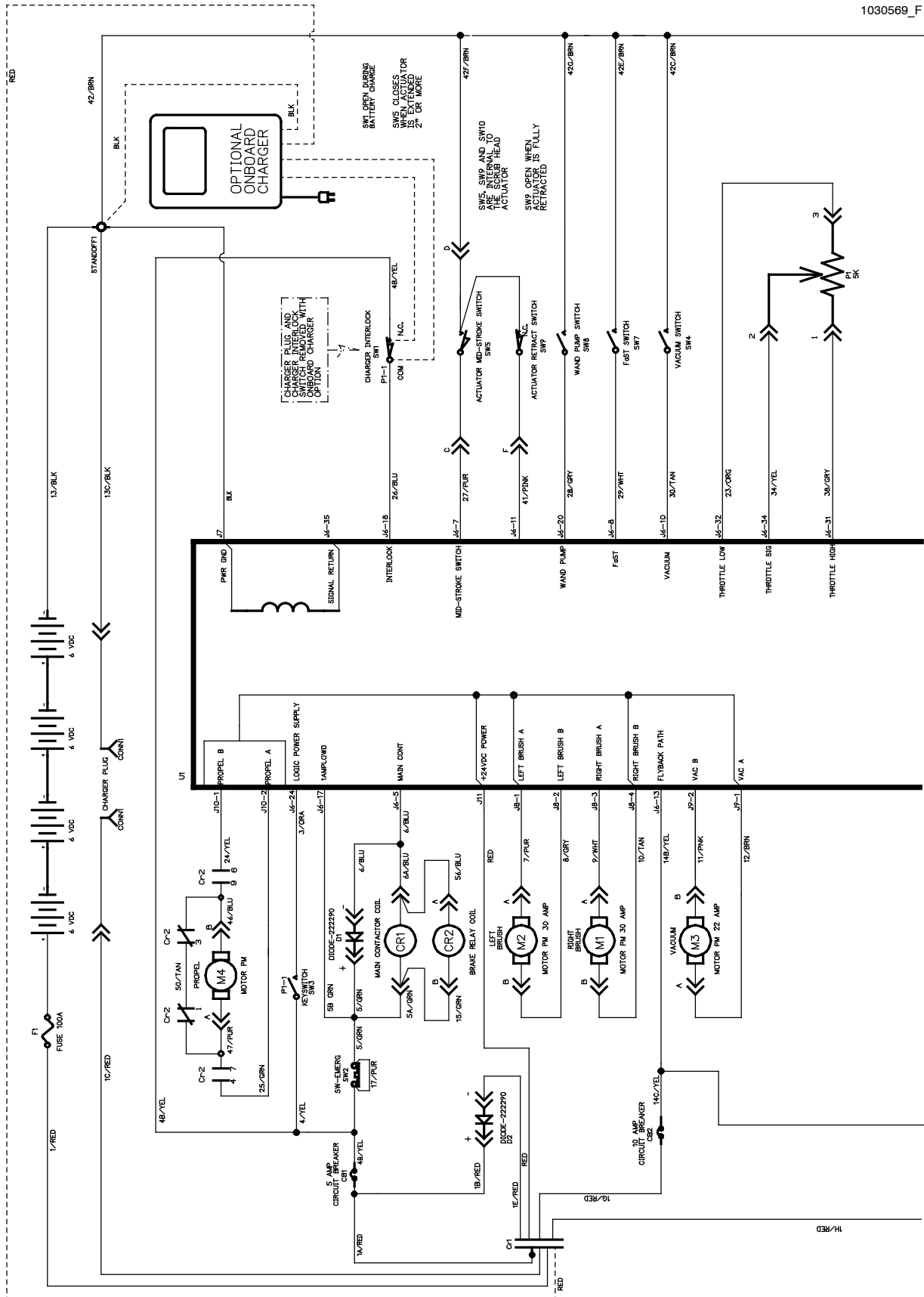
BATTERY GROUP, LEAD ACID 180 Ah (JAPAN)



Ref.	Part No.	Serial Number	Description	Qty.
1	10155	(00000000-) Battery, Wet, 06vdc	4
2	45962	(00000000-) Cap, Plstc, .04 1.38 X 2.30 0.5l (Tall Clear - Standard)	8
2	1041030	(00000000-) Cap, Battery (Short Black - Optional)	8
3	130364	(00000000-) Cable, 06ga 15.0l Blk .31ring /.38ring	3
4	611221	(00000000-) Boot, Terminal, Battery, 25.4mm, Blk	8
5	1067443	(10632988-) Harness, Battery, Fused, Us [T5]	1
5	1024479	(00000000- 10632987) Harness, Battery, Us	1
6	630375	(00000000-) Spacer, Battery, 1.25 X 3.25 X 13.7 Foam	2
7	613971	(00000000-) Tray, Battery, Trimmed	1

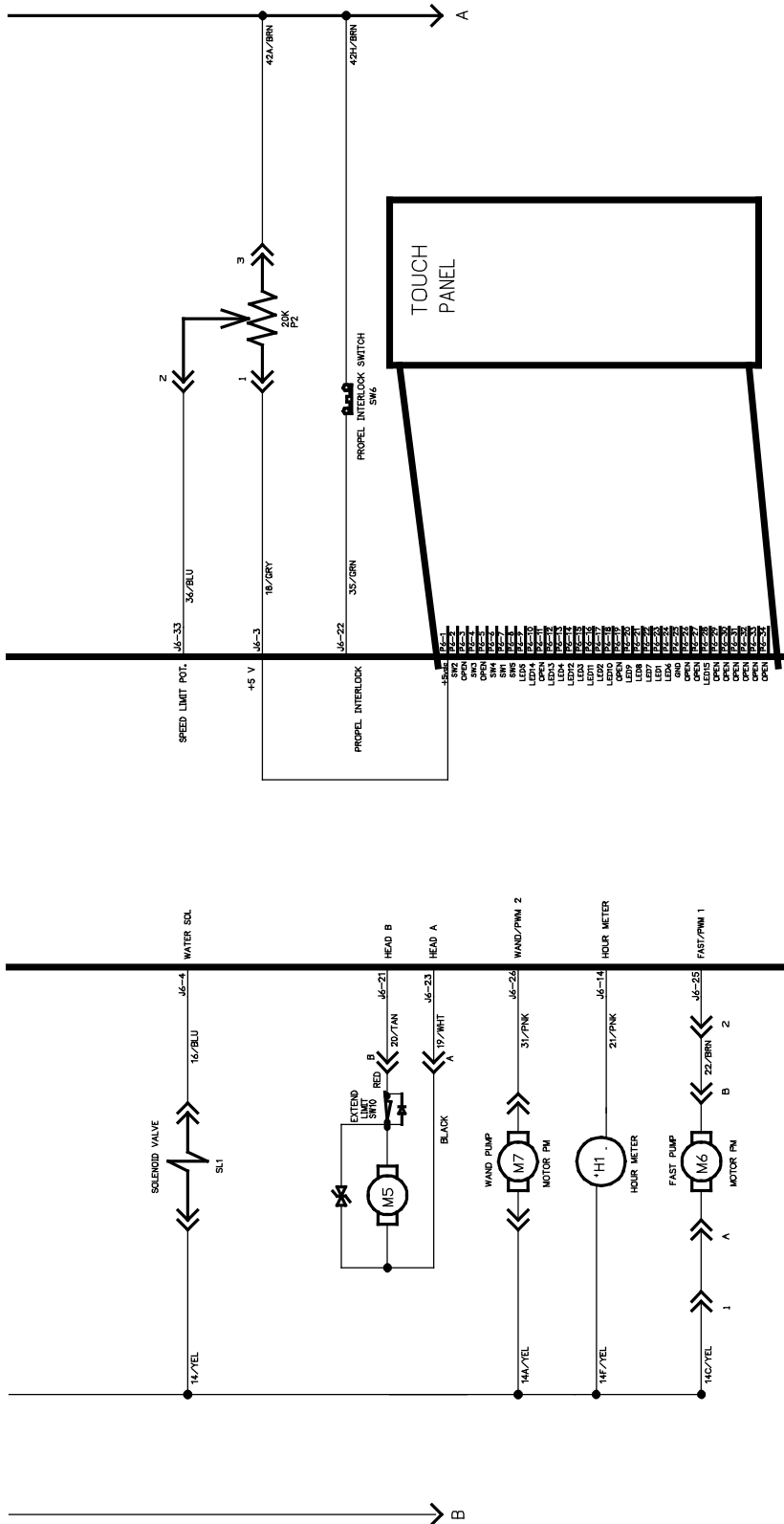
ELECTRICAL DIAGRAM, STANDARD & FaST MODEL (S/N 10632988-)

1030569_F



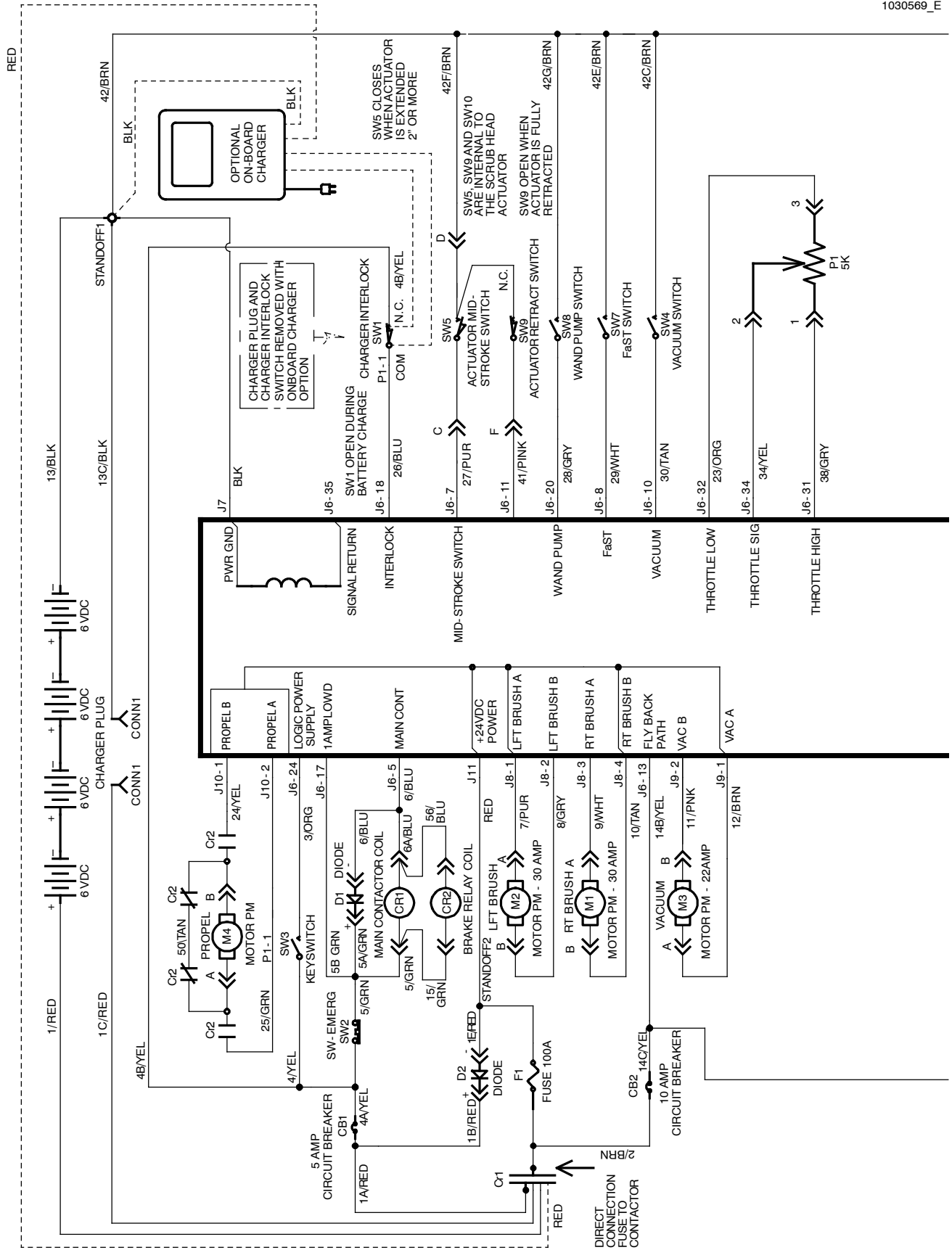
ELECTRICAL DIAGRAM, STANDARD & FaST MODEL (S/N 10632988-)

1030569_F



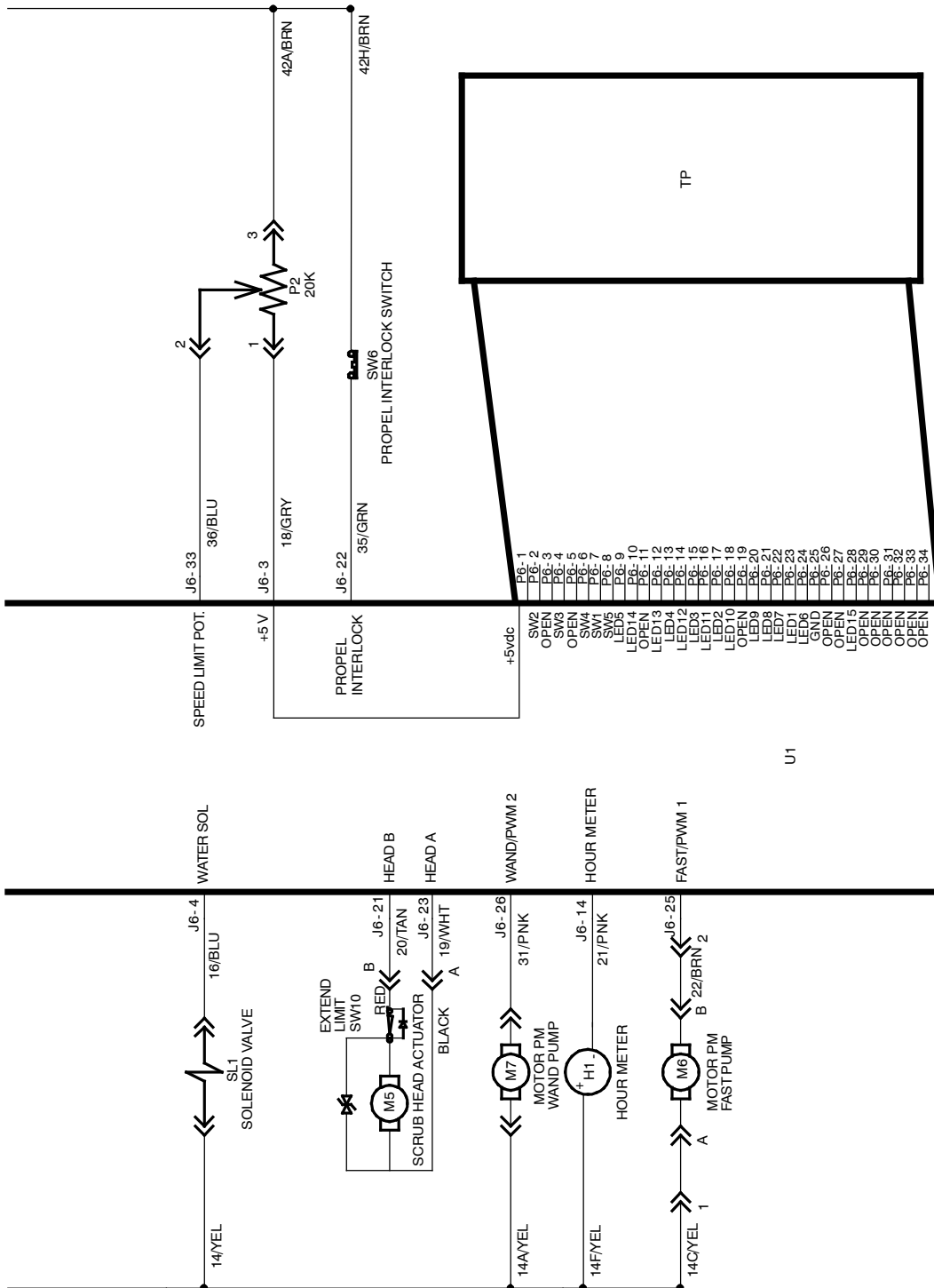
ELECTRICAL DIAGRAM, STANDARD & FaST MODEL (S/N 0000000- 10632987)

1030569_E



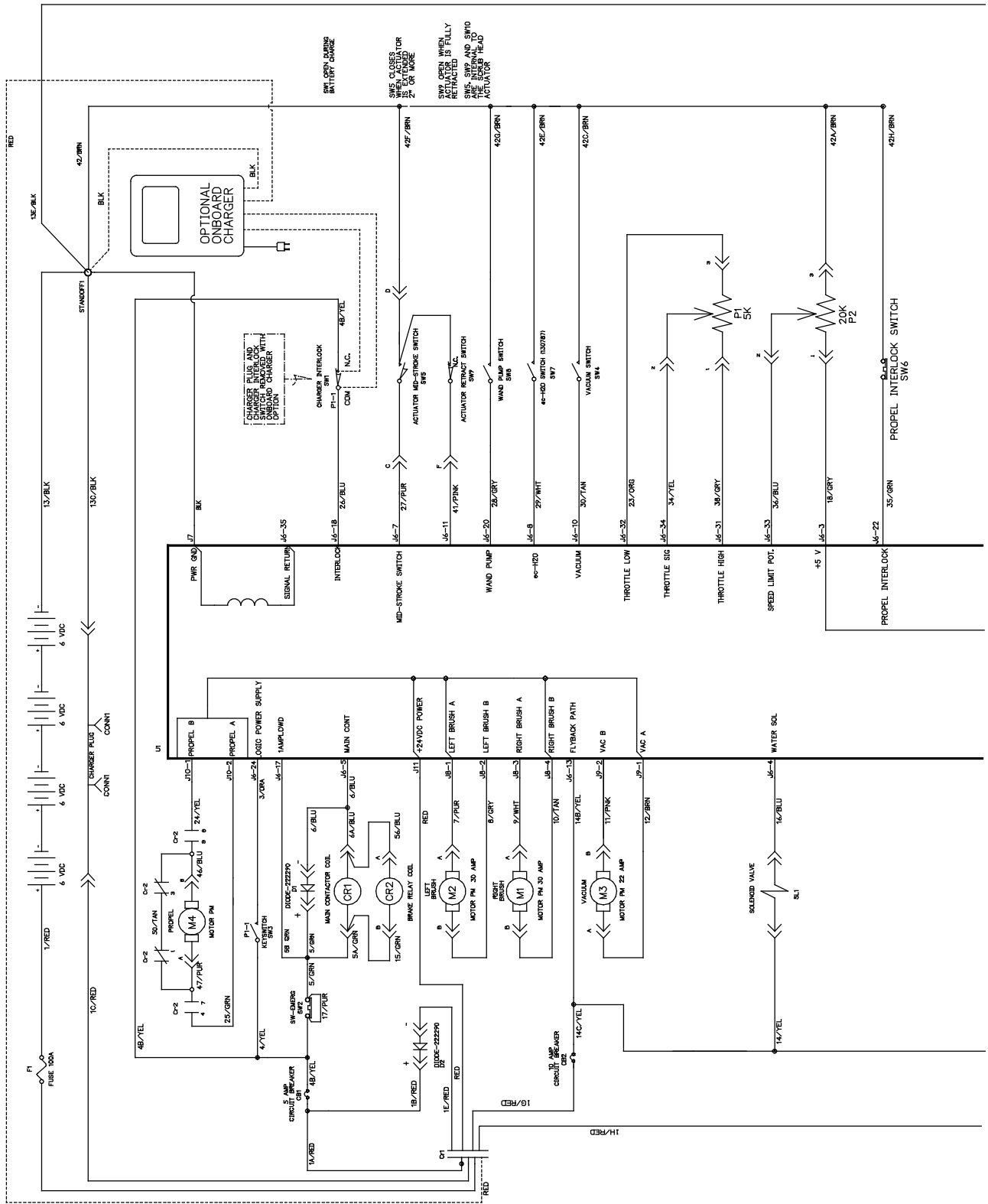
ELECTRICAL DIAGRAM, STANDARD & FaST MODEL (S/N 0000000- 10632987)

1030569_E



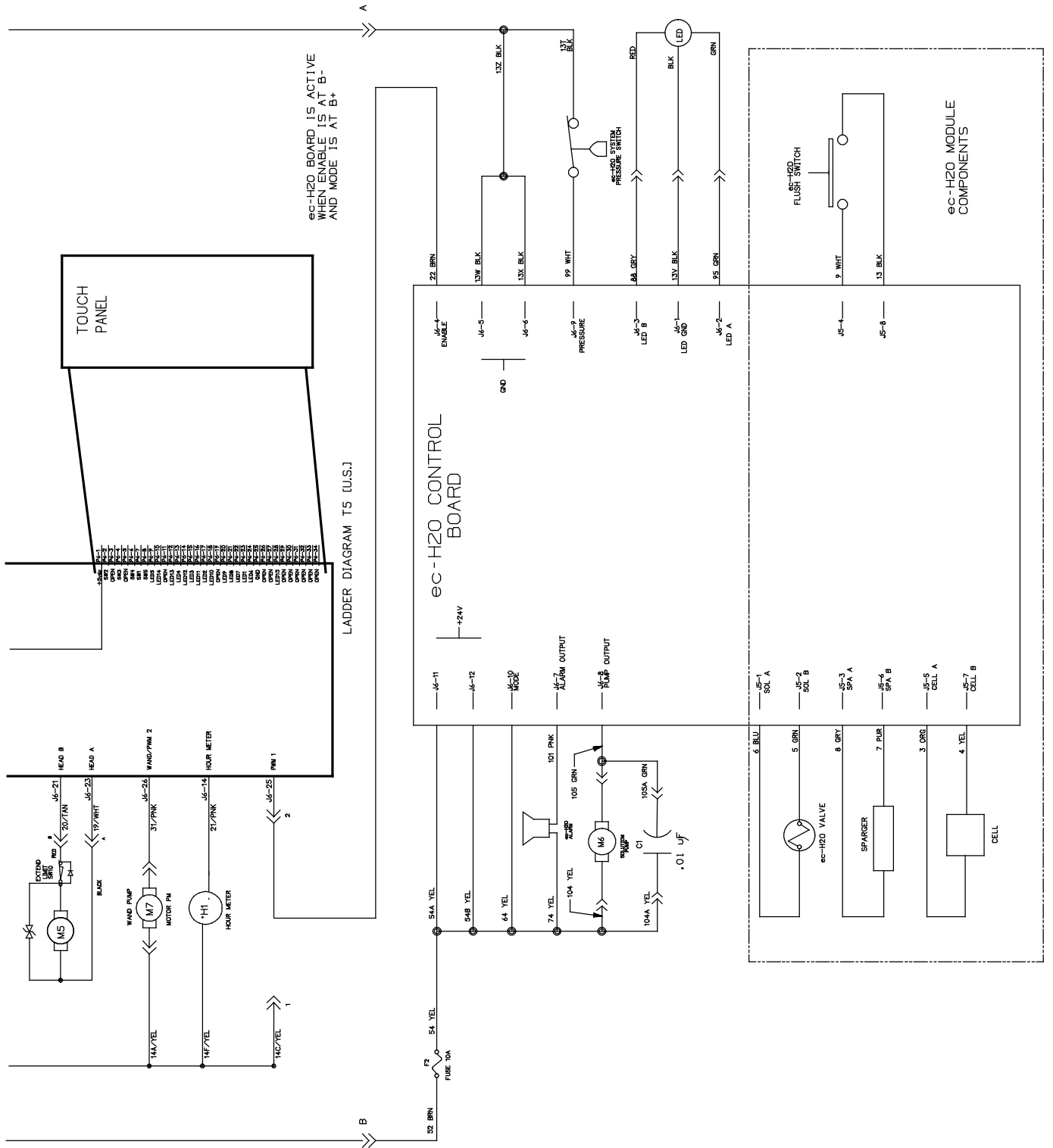
ELECTRICAL DIAGRAM, *ec-H2O* MODEL (S/N 10632988-)

1044406_D



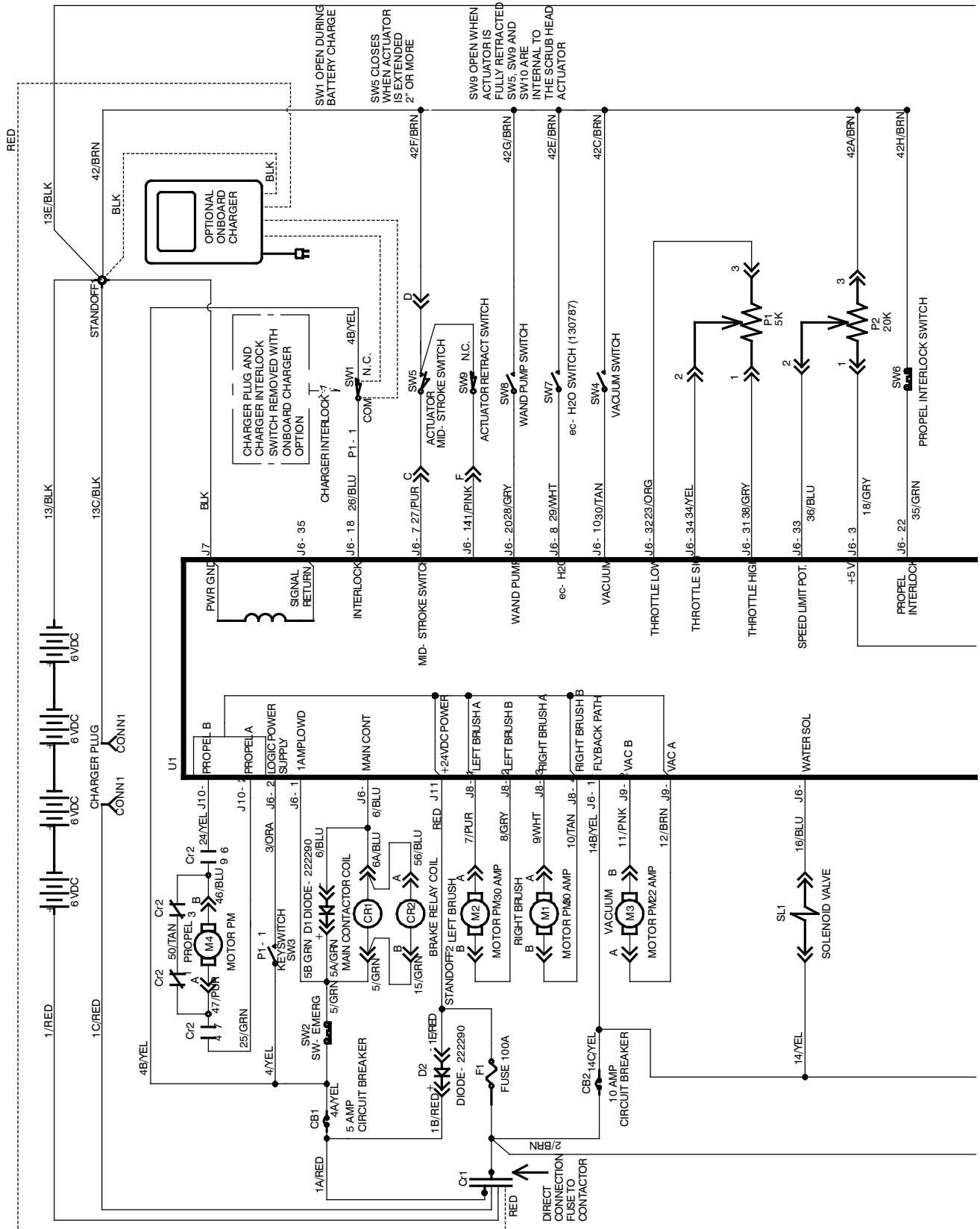
ELECTRICAL DIAGRAM, *ec-H2O* MODEL (S/N 10632988-)

1044406_D



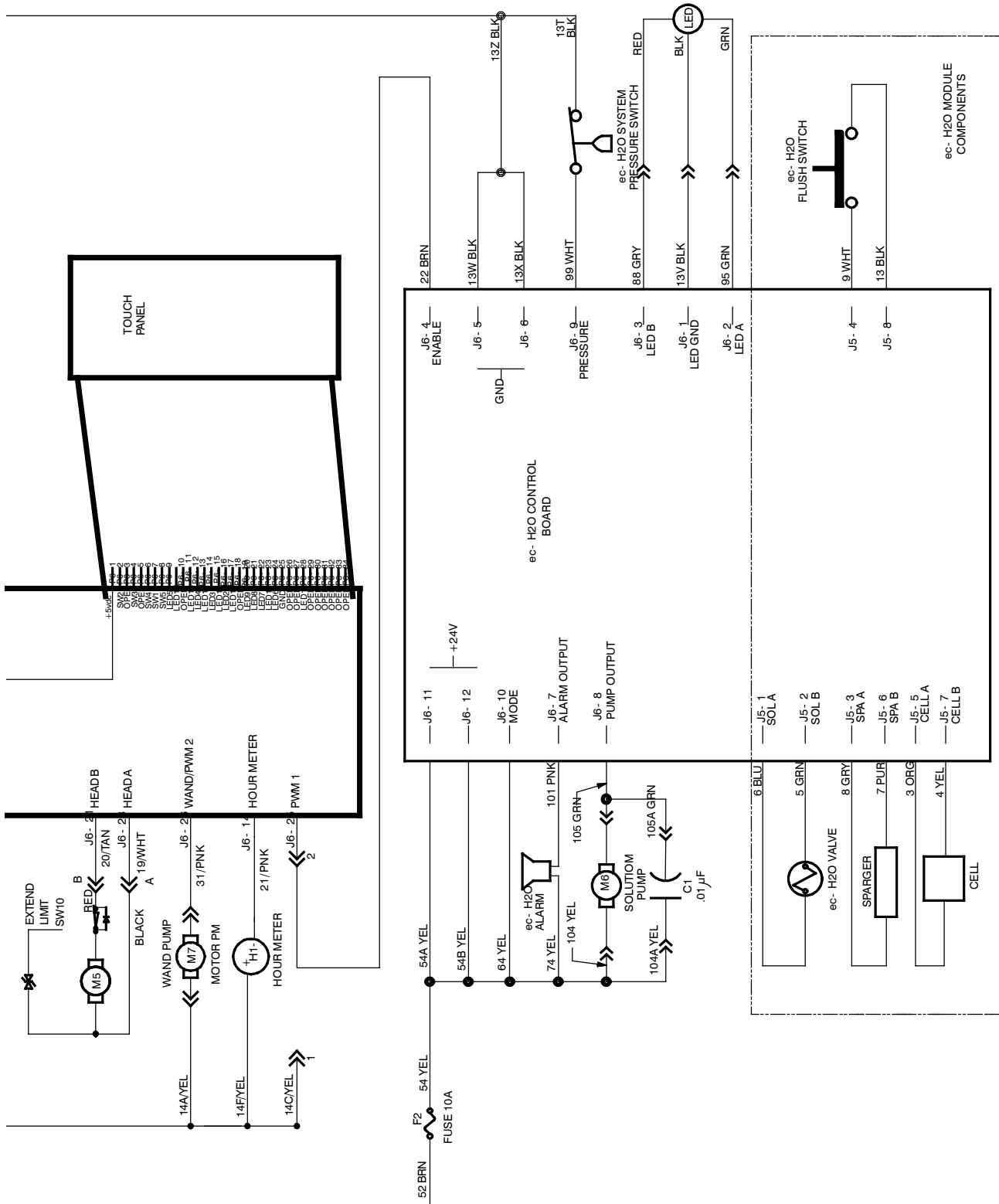
ELECTRICAL DIAGRAM, *ec-H2O* MODEL (S/N 0000000- 10632987)

1044406_C



ELECTRICAL DIAGRAM, *ec-H2O* MODEL (S/N 0000000-10632987)

1044406_C



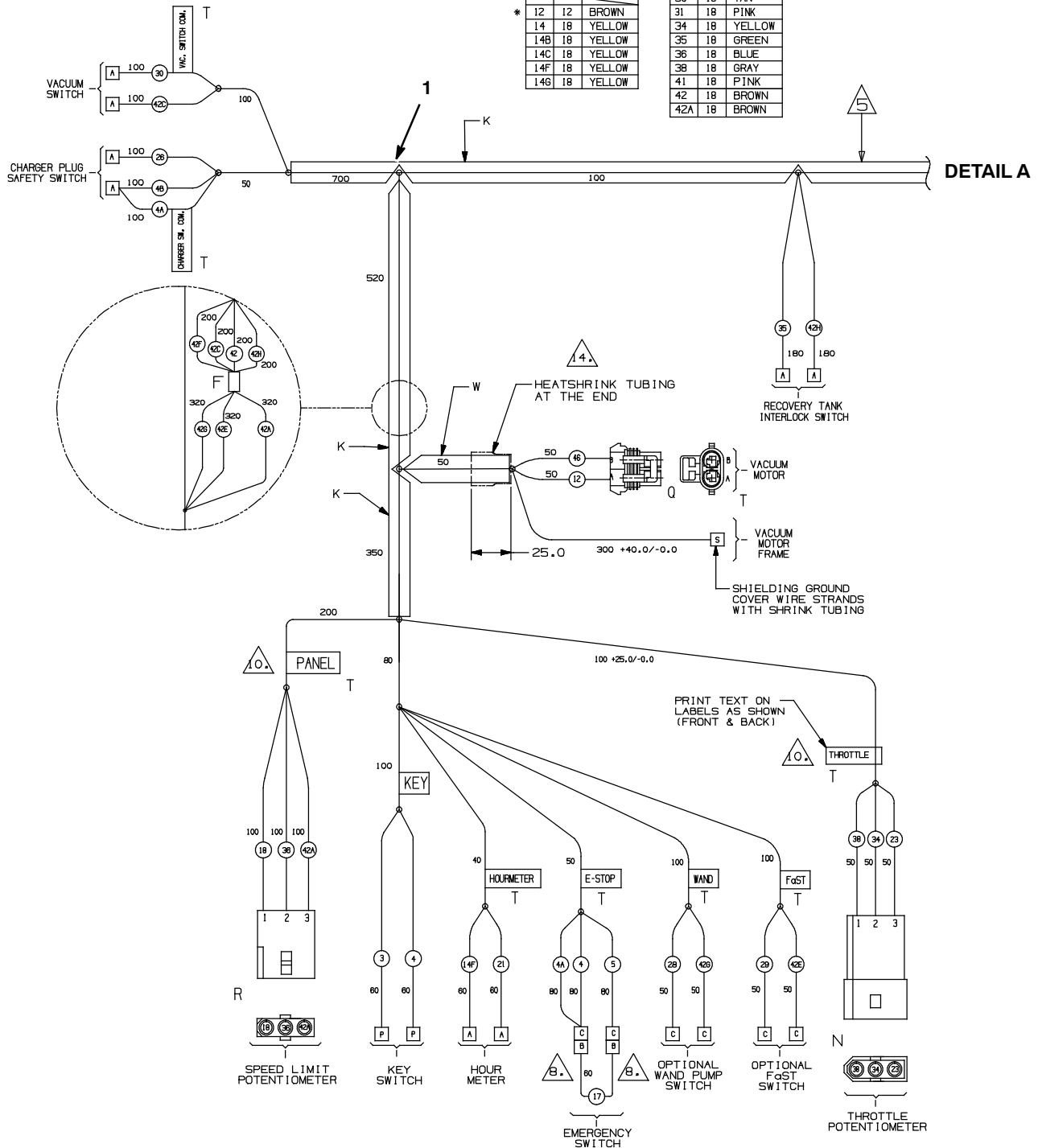
WIRE HARNESS GROUP, MAIN (S/N 10632988-)

WIRE No:	AWG	COLOR
1A	18	RED
1B	18	RED
1E	18	RED
2	18	BROWN
3	18	ORANGE
4	18	YELLOW
4A	18	YELLOW
4B	18	YELLOW
5	18	GREEN
5A	18	GREEN
5B	18	GREEN
6	18	BLUE
6A	18	BLUE
* 12	12	BROWN
14	18	YELLOW
14B	18	YELLOW
14C	18	YELLOW
14F	18	YELLOW
14G	18	YELLOW

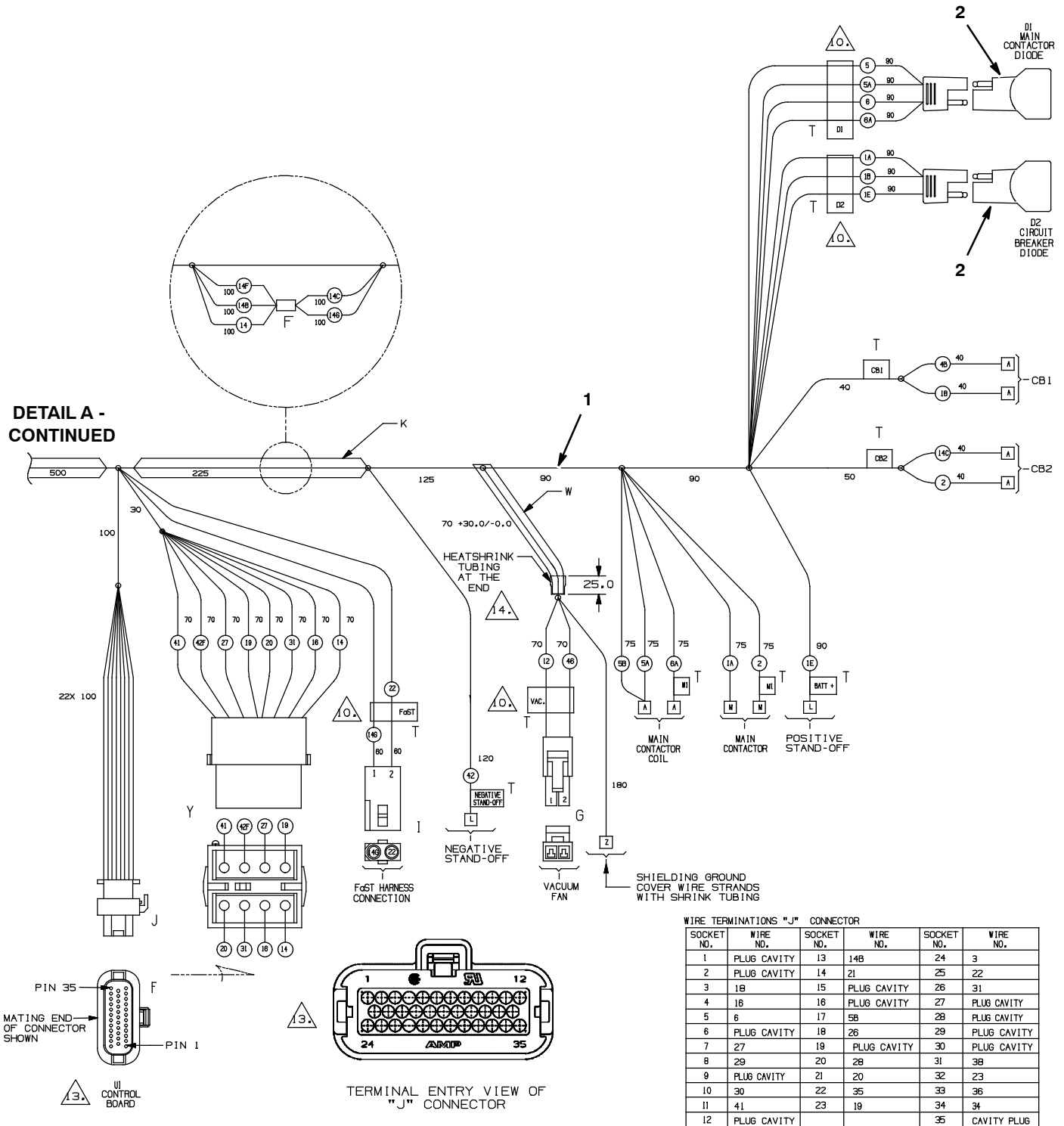
WIRE No:	AWG	COLOR
16	18	BLUE
17	18	PURPLE
18	18	GREY
19	18	WHITE
20	18	TAN
21	18	PINK
22	18	BROWN
23	18	ORANGE
26	18	BLUE
27	18	PURPLE
28	18	GREY
29	18	WHITE
30	18	TAN
31	18	PINK
34	18	YELLOW
35	18	GREEN
36	18	BLUE
38	18	GRAY
41	18	PINK
42	18	BROWN
42A	18	BROWN

WIRE No:	AWG	COLOR
42C	18	BROWN
42E	18	BROWN
42F	18	BROWN
42G	18	BROWN
42H	18	BROWN
* 46	12	BLUE

* WIRE #46 AND #12 ARE SHIELDED CABLE.



WIRE HARNESS GROUP, MAIN (S/N 10632988-) - CONT'D



WIRE TERMINATIONS "J" CONNECTOR

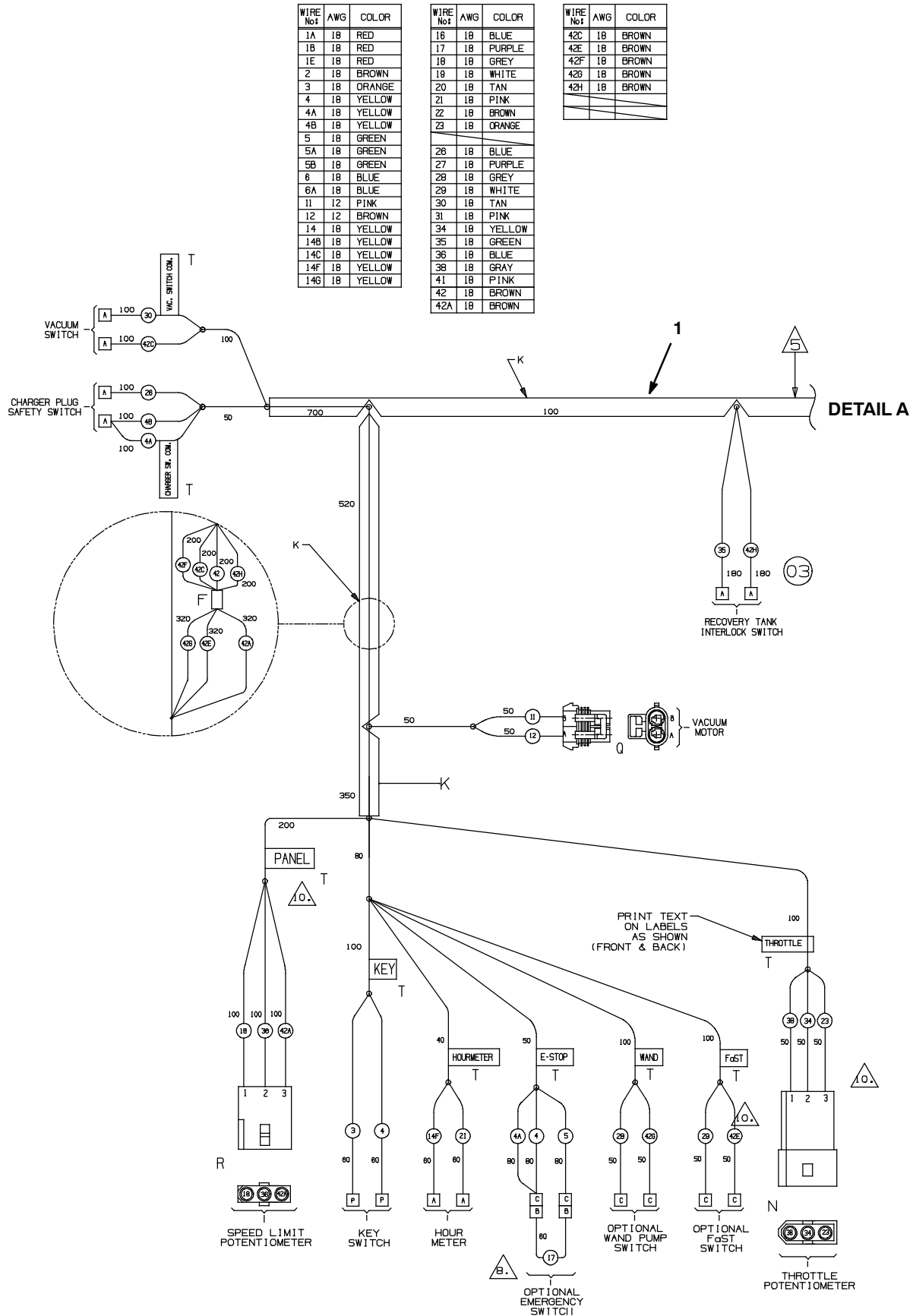
SOCKET NO.	WIRE NO.	SOCKET NO.	WIRE NO.	SOCKET NO.	WIRE NO.
1	PLUG CAVITY	13	14B	24	3
2	PLUG CAVITY	14	21	25	22
3	18	15	PLUG CAVITY	26	31
4	16	16	PLUG CAVITY	27	PLUG CAVITY
5	6	17	5B	28	PLUG CAVITY
6	PLUG CAVITY	18	26	29	PLUG CAVITY
7	27	19	PLUG CAVITY	30	PLUG CAVITY
8	29	20	26	31	36
9	PLUG CAVITY	21	20	32	23
10	30	22	35	33	36
11	41	23	19	34	34
12	PLUG CAVITY			35	CAVITY PLUG

Ref.	Part No.	Serial Number	Description	Qty.
▽	1	1066855 (10632988-) Harness, Main [T5, Na] (NA/JP)	1
▲	2	222290 (0000000-) Diode, Ele, Plug	2

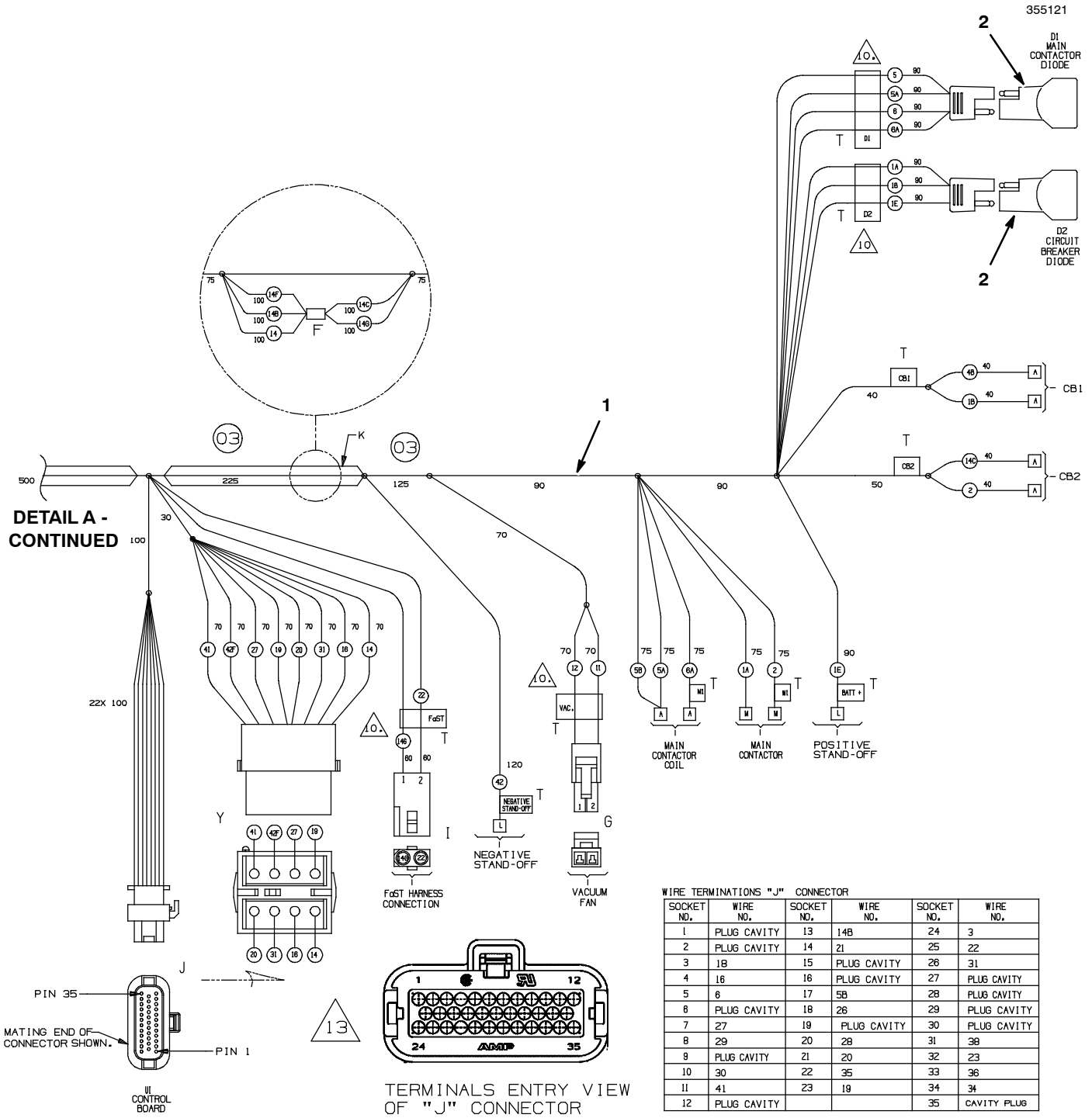
▽ ASSEMBLY
 ▲ INCLUDED IN ASSEMBLY

WIRE HARNESS GROUP, MAIN (S/N 0000000-10632987)

355121



WIRE HARNESS GROUP, MAIN (S/N 0000000-10632987) - CONT'D



Ref.	Part No.	Serial Number	Description	Qty.
▽	1	1020488 (0000000-10632987)	Harness, Main [T5] (NA/JP)	1
▲	2	222290 (0000000-)	Diode, Ele, Plug	2

▽ ASSEMBLY
 ▲ INCLUDED IN ASSEMBLY

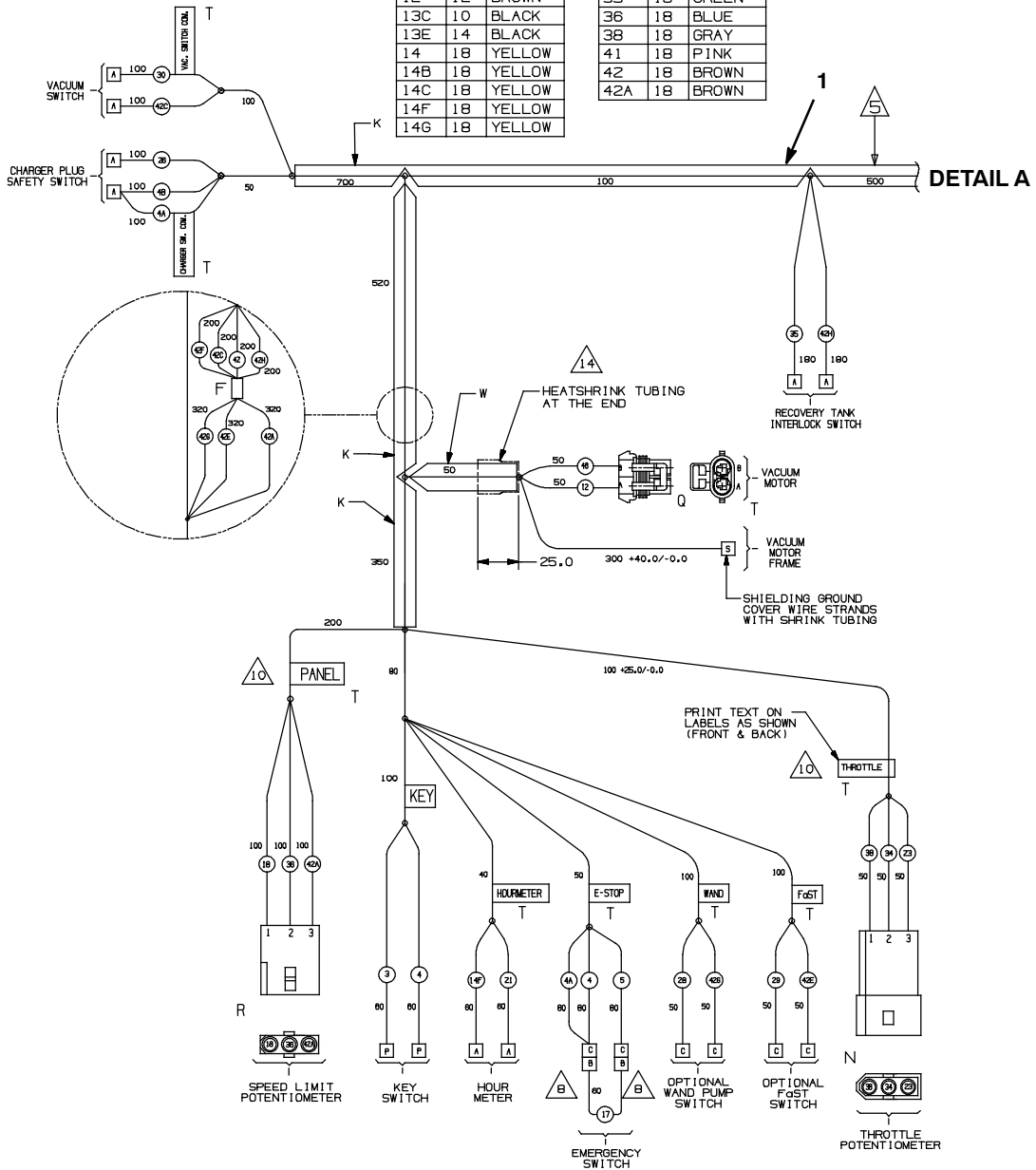
WIRE HARNESS GROUP, MAIN AUSTRALIA (S/N 10632988-)

WIRE NO:	AWG	COLOR
1A	18	RED
1B	18	RED
1C	10	RED
1E	18	RED
1G	16	RED
1H	14	RED
3	18	ORANGE
4	18	YELLOW
4A	18	YELLOW
4B	18	YELLOW
5	18	GREEN
5A	18	GREEN
5B	18	GREEN
6	18	BLUE
6A	18	BLUE
* 12	12	BROWN
13C	10	BLACK
13E	14	BLACK
14	18	YELLOW
14B	18	YELLOW
14C	18	YELLOW
14F	18	YELLOW
14G	18	YELLOW

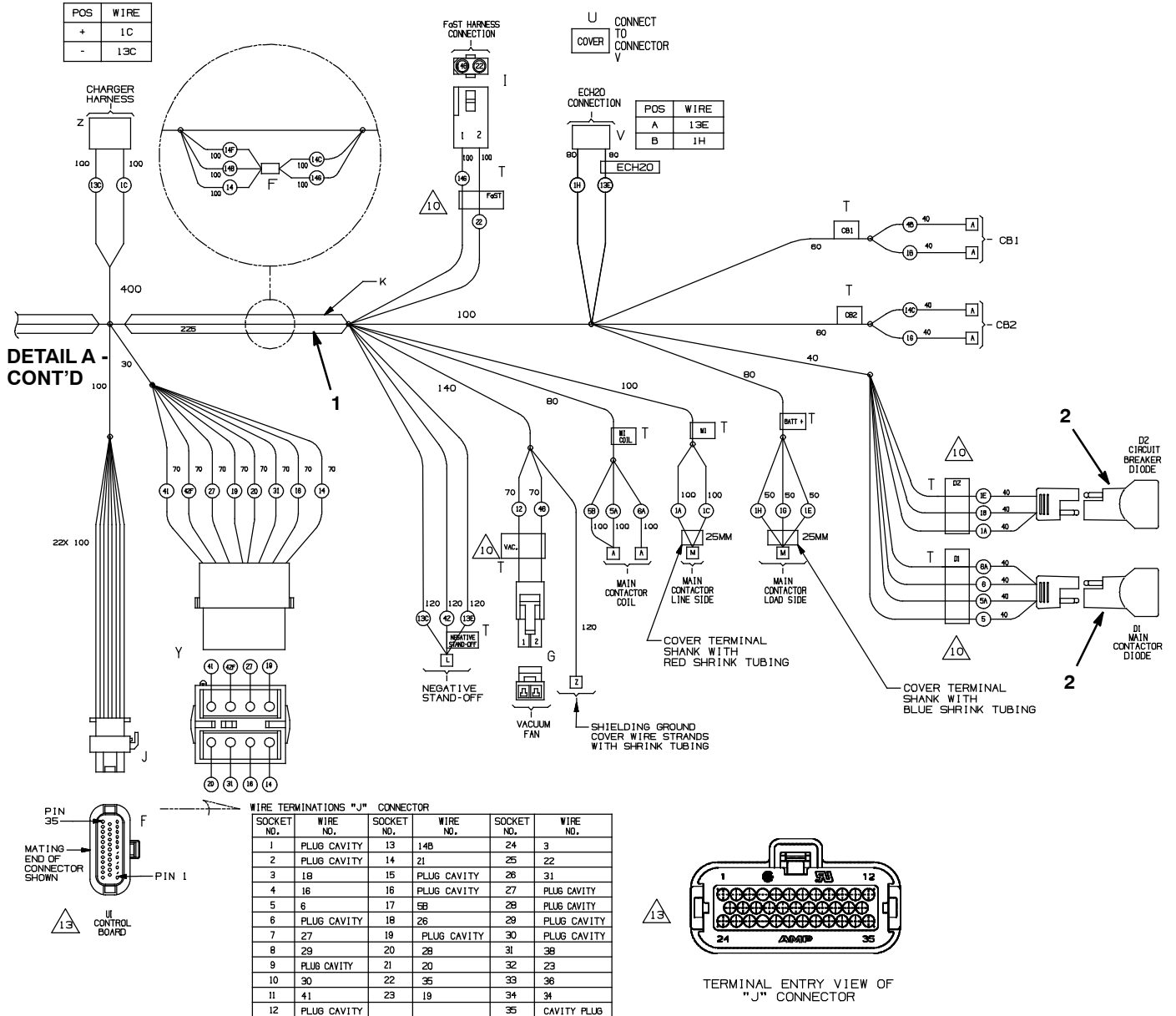
WIRE NO:	AWG	COLOR
16	18	BLUE
17	18	PURPLE
18	18	GREY
19	18	WHITE
20	18	TAN
21	18	PINK
22	18	BROWN
23	18	ORANGE
26	18	BLUE
27	18	PURPLE
28	18	GREY
29	18	WHITE
30	18	TAN
31	18	PINK
34	18	YELLOW
35	18	GREEN
36	18	BLUE
38	18	GRAY
41	18	PINK
42	18	BROWN
42A	18	BROWN

WIRE NO:	AWG	COLOR
42C	18	BROWN
42E	18	BROWN
42F	18	BROWN
42G	18	BROWN
42H	18	BROWN
* 46	12	BLUE

* WIRE #12 AND #46 ARE SHIELDED CABLE: OLFLEX CLASSIC 100SY #0016101



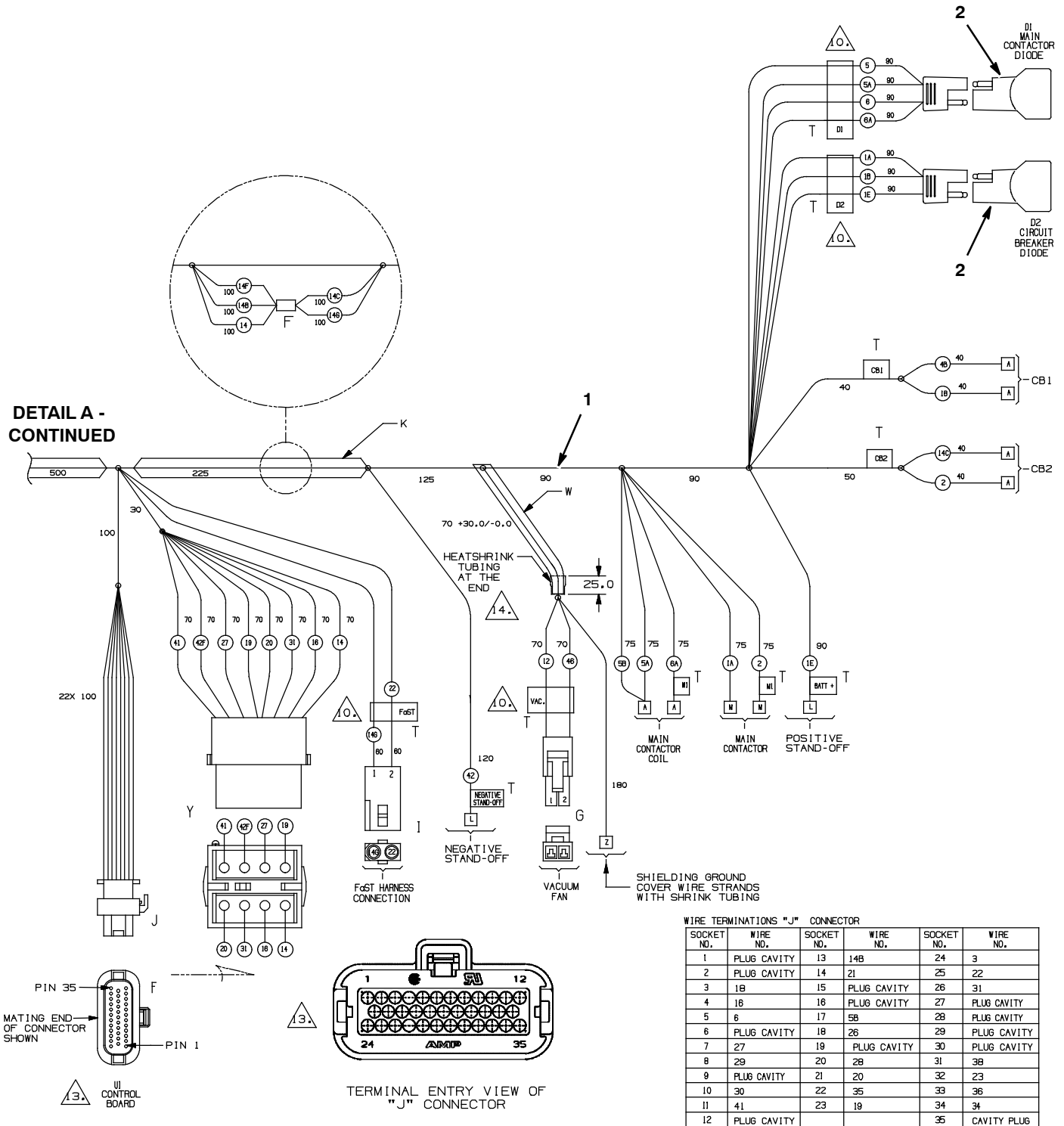
WIRE HARNESS GROUP, MAIN AUSTRALIA (S/N 10632988-) - CONT'D



Ref.	Part No.	Serial Number	Description	Qty.
▽	1	1067933	(10632988-) Harness, Main [T5, Aus]	1
▲	2	222290	(00000000-) Diode, Ele, Plug	2

▽ ASSEMBLY
 ▲ INCLUDED IN ASSEMBLY

WIRE HARNESS GROUP, MAIN AUSTRALIA (S/N 0000000-10632987) - CONT'D

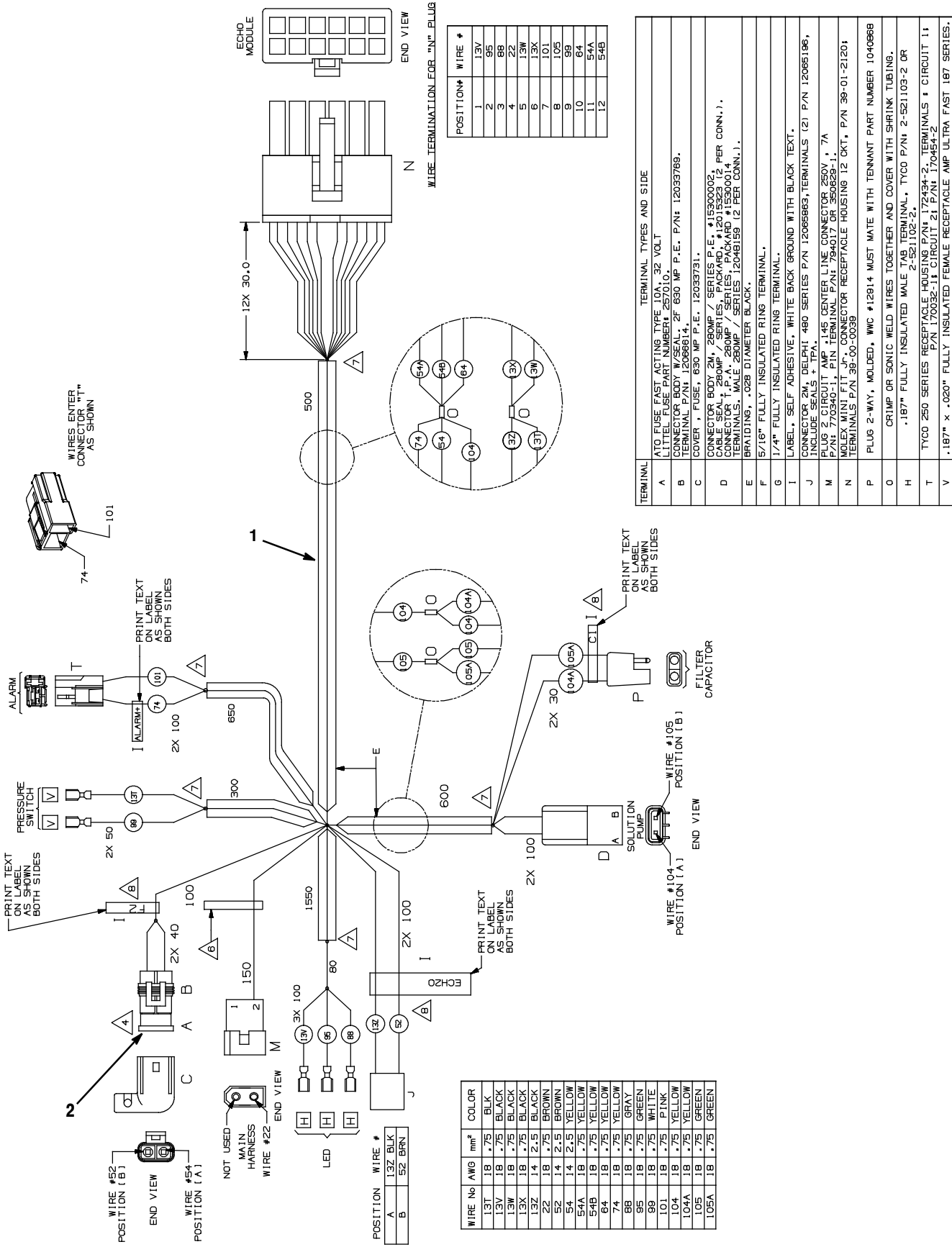


Ref.	Part No.	Serial Number	Description	Qty.
▽	1	1034771	(0000000-10632987)) Harness, Main [T5, Aus]	1
▲	2	222290	(0000000-) Diode, Ele, Plug	2

▽ ASSEMBLY

▲ INCLUDED IN ASSEMBLY

WIRE HARNESS GROUP, *ec-H2O* OPTION (S/N 10632988-)



POSITION*	WIRE #
1	13V
2	95
3	98
4	22
5	13W
6	13X
7	101
8	92
9	94
10	54A
11	54A
12	54B

TERMINAL	TERMINAL TYPES AND SIDE
A	ATO FUSE FAST ACTING TYPE 10A, 32 VOLT
B	LITTLE FUSE PART NUMBER 257010.
C	CONNECTOR BODY W/SEAL, 2F 630 MP P.E. P/N: 12033769.
D	CONNECTOR 1, P, 260MP / SERIES P.E. #15300014
E	CONNECTOR 1, P, 260MP / SERIES P.E. #15300014
F	CONNECTOR 1, P, 260MP / SERIES P.E. #15300014
G	CONNECTOR 1, P, 260MP / SERIES P.E. #15300014
H	CONNECTOR 1, P, 260MP / SERIES P.E. #15300014
I	CONNECTOR 1, P, 260MP / SERIES P.E. #15300014
J	CONNECTOR 1, P, 260MP / SERIES P.E. #15300014
K	CONNECTOR 1, P, 260MP / SERIES P.E. #15300014
L	CONNECTOR 1, P, 260MP / SERIES P.E. #15300014
M	CONNECTOR 1, P, 260MP / SERIES P.E. #15300014
N	CONNECTOR 1, P, 260MP / SERIES P.E. #15300014
O	CONNECTOR 1, P, 260MP / SERIES P.E. #15300014
P	CONNECTOR 1, P, 260MP / SERIES P.E. #15300014
Q	CONNECTOR 1, P, 260MP / SERIES P.E. #15300014
R	CONNECTOR 1, P, 260MP / SERIES P.E. #15300014
S	CONNECTOR 1, P, 260MP / SERIES P.E. #15300014
T	CONNECTOR 1, P, 260MP / SERIES P.E. #15300014
V	CONNECTOR 1, P, 260MP / SERIES P.E. #15300014

WIRE No	AWG	mm ²	COLOR
13T	18	.75	BLK
13V	18	.75	BLK
13W	18	.75	BLK
13X	18	.75	BLK
13Y	18	.75	BLK
13Z	18	.75	BLK
22	18	.75	BLK
23	18	.75	BLK
24	18	.75	BLK
25	18	.75	BLK
26	18	.75	BLK
27	18	.75	BLK
28	18	.75	BLK
29	18	.75	BLK
30	18	.75	BLK
31	18	.75	BLK
32	18	.75	BLK
33	18	.75	BLK
34	18	.75	BLK
35	18	.75	BLK
36	18	.75	BLK
37	18	.75	BLK
38	18	.75	BLK
39	18	.75	BLK
40	18	.75	BLK
41	18	.75	BLK
42	18	.75	BLK
43	18	.75	BLK
44	18	.75	BLK
45	18	.75	BLK
46	18	.75	BLK
47	18	.75	BLK
48	18	.75	BLK
49	18	.75	BLK
50	18	.75	BLK
51	18	.75	BLK
52	18	.75	BLK
53	18	.75	BLK
54	18	.75	BLK
55	18	.75	BLK
56	18	.75	BLK
57	18	.75	BLK
58	18	.75	BLK
59	18	.75	BLK
60	18	.75	BLK
61	18	.75	BLK
62	18	.75	BLK
63	18	.75	BLK
64	18	.75	BLK
65	18	.75	BLK
66	18	.75	BLK
67	18	.75	BLK
68	18	.75	BLK
69	18	.75	BLK
70	18	.75	BLK
71	18	.75	BLK
72	18	.75	BLK
73	18	.75	BLK
74	18	.75	BLK
75	18	.75	BLK
76	18	.75	BLK
77	18	.75	BLK
78	18	.75	BLK
79	18	.75	BLK
80	18	.75	BLK
81	18	.75	BLK
82	18	.75	BLK
83	18	.75	BLK
84	18	.75	BLK
85	18	.75	BLK
86	18	.75	BLK
87	18	.75	BLK
88	18	.75	BLK
89	18	.75	BLK
90	18	.75	BLK
91	18	.75	BLK
92	18	.75	BLK
93	18	.75	BLK
94	18	.75	BLK
95	18	.75	BLK
96	18	.75	BLK
97	18	.75	BLK
98	18	.75	BLK
99	18	.75	BLK
100	18	.75	BLK
101	18	.75	BLK
102	18	.75	BLK
103	18	.75	BLK
104	18	.75	BLK
105	18	.75	BLK
106	18	.75	BLK
107	18	.75	BLK
108	18	.75	BLK
109	18	.75	BLK
110	18	.75	BLK
111	18	.75	BLK
112	18	.75	BLK
113	18	.75	BLK
114	18	.75	BLK
115	18	.75	BLK
116	18	.75	BLK
117	18	.75	BLK
118	18	.75	BLK
119	18	.75	BLK
120	18	.75	BLK
121	18	.75	BLK
122	18	.75	BLK
123	18	.75	BLK
124	18	.75	BLK
125	18	.75	BLK
126	18	.75	BLK
127	18	.75	BLK
128	18	.75	BLK
129	18	.75	BLK
130	18	.75	BLK
131	18	.75	BLK
132	18	.75	BLK
133	18	.75	BLK
134	18	.75	BLK
135	18	.75	BLK
136	18	.75	BLK
137	18	.75	BLK
138	18	.75	BLK
139	18	.75	BLK
140	18	.75	BLK
141	18	.75	BLK
142	18	.75	BLK
143	18	.75	BLK
144	18	.75	BLK
145	18	.75	BLK
146	18	.75	BLK
147	18	.75	BLK
148	18	.75	BLK
149	18	.75	BLK
150	18	.75	BLK
151	18	.75	BLK
152	18	.75	BLK
153	18	.75	BLK
154	18	.75	BLK
155	18	.75	BLK
156	18	.75	BLK
157	18	.75	BLK
158	18	.75	BLK
159	18	.75	BLK
160	18	.75	BLK
161	18	.75	BLK
162	18	.75	BLK
163	18	.75	BLK
164	18	.75	BLK
165	18	.75	BLK
166	18	.75	BLK
167	18	.75	BLK
168	18	.75	BLK
169	18	.75	BLK
170	18	.75	BLK
171	18	.75	BLK
172	18	.75	BLK
173	18	.75	BLK
174	18	.75	BLK
175	18	.75	BLK
176	18	.75	BLK
177	18	.75	BLK
178	18	.75	BLK
179	18	.75	BLK
180	18	.75	BLK
181	18	.75	BLK
182	18	.75	BLK
183	18	.75	BLK
184	18	.75	BLK
185	18	.75	BLK
186	18	.75	BLK
187	18	.75	BLK
188	18	.75	BLK
189	18	.75	BLK
190	18	.75	BLK
191	18	.75	BLK
192	18	.75	BLK

WIRE HARNESS GROUP, *ec-H2O* OPTION (S/N 10632988-)

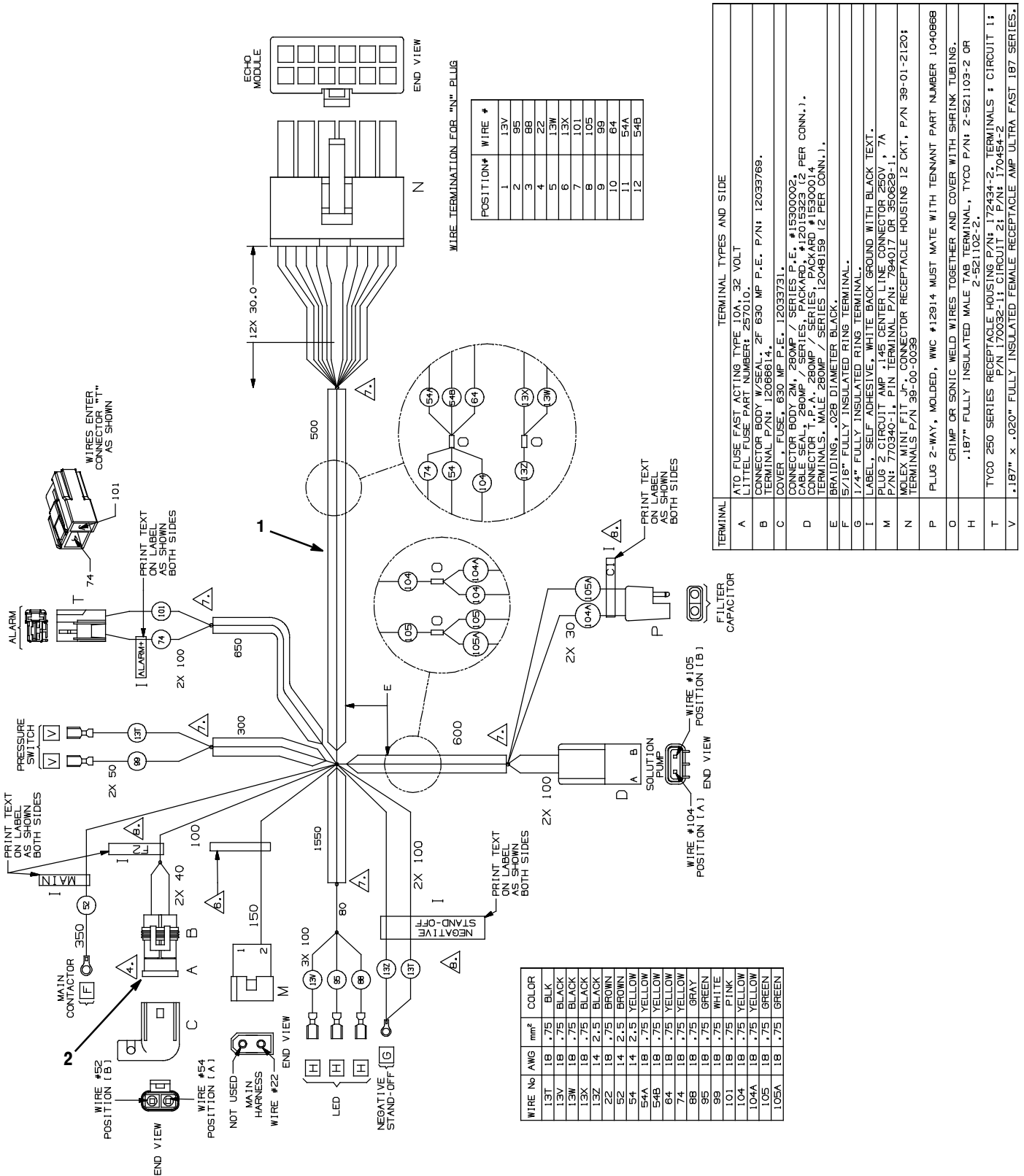
	Ref.	Part No.	Serial Number	Description	Qty.
▽	1	1066844	(10632988-) Harness Assy, Wire [T5 Ec- H2o]	1
▲	2	1047470	(00000000-) Fuse, Blade, 010a, 32vdc, Red	1

▽ ASSEMBLY

▲ INCLUDED IN ASSEMBLY

WIRE HARNESS GROUP, *ec-H2O* OPTION (S/N 10446231-10632987)

355122



WIRE TERMINATION FOR "N" PLUG

POSITION#	WIRE #
1	13V
2	95
3	88
4	22
5	13W
6	13X
7	10L
8	10S
9	89
10	64
11	54A
12	54B

TERMINAL TYPES AND SIDE

TERMINAL	TERMINAL TYPES AND SIDE
A	ATO FUSE FAST ACTING TYPE 10A, 32 VOLT
B	LITTEL FUSE PART NUMBER: 257010.
C	CONNECTOR BODY W/SEAL, 2F 630 MP P.E. P/N: 12033789.
D	CONNECTOR BODY 2M, 280MP / SERIES P.E. #15300002.
E	CABLE SEAL, 280MP / SERIES PACKARD #12015323 (2 PER CONN.).
F	CONNECTOR HOUSING 12 CKT, 280MP / SERIES, 12048159 (2 PER CONN.).
G	TERMINALS, MALE, 280MP / SERIES, 12048159 (2 PER CONN.).
H	TERMINALS, FEMALE, 280MP / SERIES, 12048159 (2 PER CONN.).
I	TERMINALS, MALE, 280MP / SERIES, 12048159 (2 PER CONN.).
J	TERMINALS, FEMALE, 280MP / SERIES, 12048159 (2 PER CONN.).
K	TERMINALS, MALE, 280MP / SERIES, 12048159 (2 PER CONN.).
L	TERMINALS, FEMALE, 280MP / SERIES, 12048159 (2 PER CONN.).
M	TERMINALS, MALE, 280MP / SERIES, 12048159 (2 PER CONN.).
N	TERMINALS, FEMALE, 280MP / SERIES, 12048159 (2 PER CONN.).
O	TERMINALS, MALE, 280MP / SERIES, 12048159 (2 PER CONN.).
P	TERMINALS, FEMALE, 280MP / SERIES, 12048159 (2 PER CONN.).
Q	TERMINALS, MALE, 280MP / SERIES, 12048159 (2 PER CONN.).
R	TERMINALS, FEMALE, 280MP / SERIES, 12048159 (2 PER CONN.).
S	TERMINALS, MALE, 280MP / SERIES, 12048159 (2 PER CONN.).
T	TERMINALS, FEMALE, 280MP / SERIES, 12048159 (2 PER CONN.).
V	TERMINALS, MALE, 280MP / SERIES, 12048159 (2 PER CONN.).

WIRE No	AWG	mm ²	COLOR
13T	18	.75	BLK
13V	18	.75	BLK
13W	18	.75	BLK
13X	18	.75	BLK
13Z	14	2.5	BLK
22	18	.75	BROWN
54	14	2.5	BROWN
54A	18	.75	YELLOW
54B	18	.75	YELLOW
64	18	.75	YELLOW
74	18	.75	YELLOW
88	18	.75	GRAY
89	18	.75	GREEN
95	18	.75	WHITE
101	18	.75	PINK
104	18	.75	YELLOW
104A	18	.75	YELLOW
105	18	.75	GREEN
105A	18	.75	GREEN

WIRE HARNESS GROUP, *ec-H2O* OPTION (S/N 10446231-10632987)

	Ref.	Part No.	Serial Number	Description	Qty.
▽	1	1055398	(10446231-10632987)	Harness Assy, Wire [T5 Ec- H2o]	1
▲	2	1047470	(00000000-)	Fuse, Blade, 010a, 32vdc, Red	1

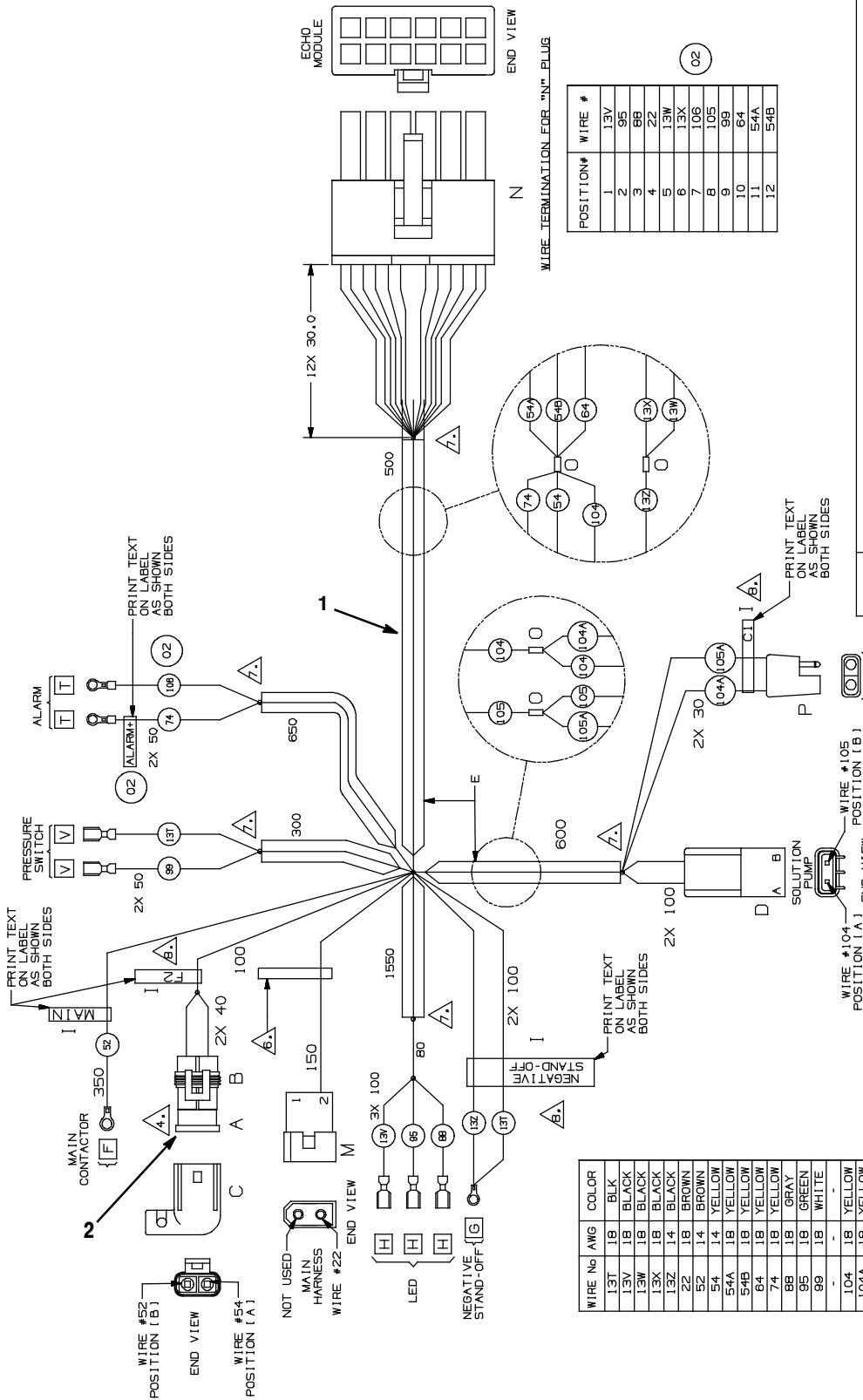
▽ ASSEMBLY

▲ INCLUDED IN ASSEMBLY

STANDARD PARTS

WIRE HARNESS GROUP, *ec-H2O* OPTION (S/N 0000000-10446230)

355123



POSITION#	WIRE #
1	13V
2	95
3	88
4	22
5	13W
6	13X
7	106
8	105
9	99
10	64
11	54A
12	54B

WIRE No	AWG	COLOR
13T	18	BLK
13V	18	BLACK
13W	18	BLACK
13X	18	BLACK
13Z	14	BLACK
22	18	BROWN
52	14	BROWN
54	14	YELLOW
54A	18	YELLOW
54B	18	YELLOW
64	18	YELLOW
74	18	YELLOW
88	18	GRAY
95	18	GREEN
99	18	WHITE
-	-	-
104	18	YELLOW
104A	18	YELLOW
105	18	GREEN
105A	18	GREEN
106	18	BLUE

LETTER	DESCRIPTION
A	A70 FUSE FAST ACTING TYPE 10A, 32 VOLT
B	LITTLE FUSE PART NUMBER: 257010
C	CONNECTOR BODY W/SEAL, 2F 630 MP P.E. P/N: 12033769, TERMINAL P/N: 12066614.
D	COVER, FUSE, 630 MP P.E. 12033731.
E	CONNECTOR BODY 2M, 280MP / SERIES P.E. #15300002, CABLE SEAL, 280MP / SERIES, PACKARD, #12015323 (2 PER CONN.), CONNECTOR T.P.A., 280MP / SERIES, PACKARD #15300014 TERMINALS, MALE 280MP / SERIES 12048159 (2 PER CONN.).
F	BRAIDING, .028 DIAMETER BLACK.
G	5/16" FULLY INSULATED RING TERMINAL.
H	1/4" FULLY INSULATED RING TERMINAL.
I	LABEL, SELF ADHESIVE, WHITE BACK GROUND WITH BLACK TEXT.
M	PLUG 2 CIRCUIT AMP, .145 CENTER LINE CONNECTOR 250V, 7A P/N: 770340-1, PIN TERMINAL P/N: 794017 OR 350629-1.
N	MOLEX MINI FIT Jc, CONNECTOR RECEPTACLE HOUSING 12 CKT, P/N 39-01-2120; TERMINALS P/N 39-00-0039
P	PLUG 2-WAY, MOLDED, WVC #12914 MUST MATE WITH TENNANT PART NUMBER 1040868
O	GRIMP OR SONIC WELD WIRES TOGETHER AND COVER WITH SHRINK TUBING.
H	.187" FULLY INSULATED MALE TUB TERMINAL, TYCO P/N: 2-521103-2 OR
T	.187" x .020" FULLY INSULATED FEMALE RECEPTACLE AMP ULTRA FAST 1B7 SERIES.

WIRE HARNESS GROUP, *ec*-H2O OPTION (S/N 00000000- 10446230)

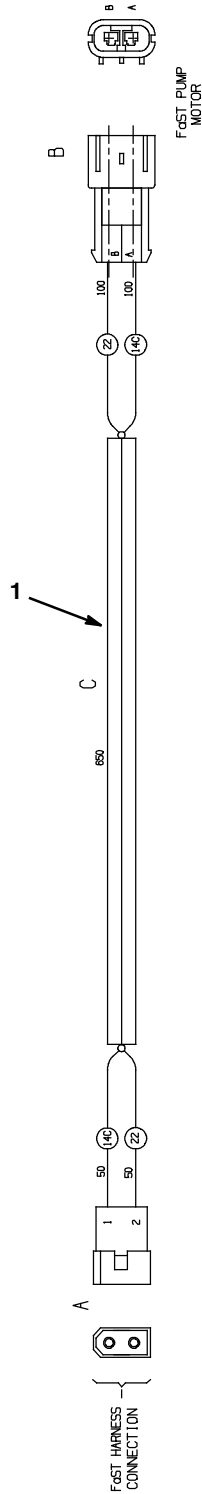
	Ref.	Part No.	Serial Number	Description	Qty.
▽	1	1044416	(10378380- 10446320)	Harness Assy, Wire [T5 Ec- H2o, P3]	1
▲	2	1047470	(00000000-) Fuse, Blade, 010a, 32vdc, Red	1

▽ ASSEMBLY

▲ INCLUDED IN ASSEMBLY

WIRE HARNESS GROUP, FAST OPTION

355124



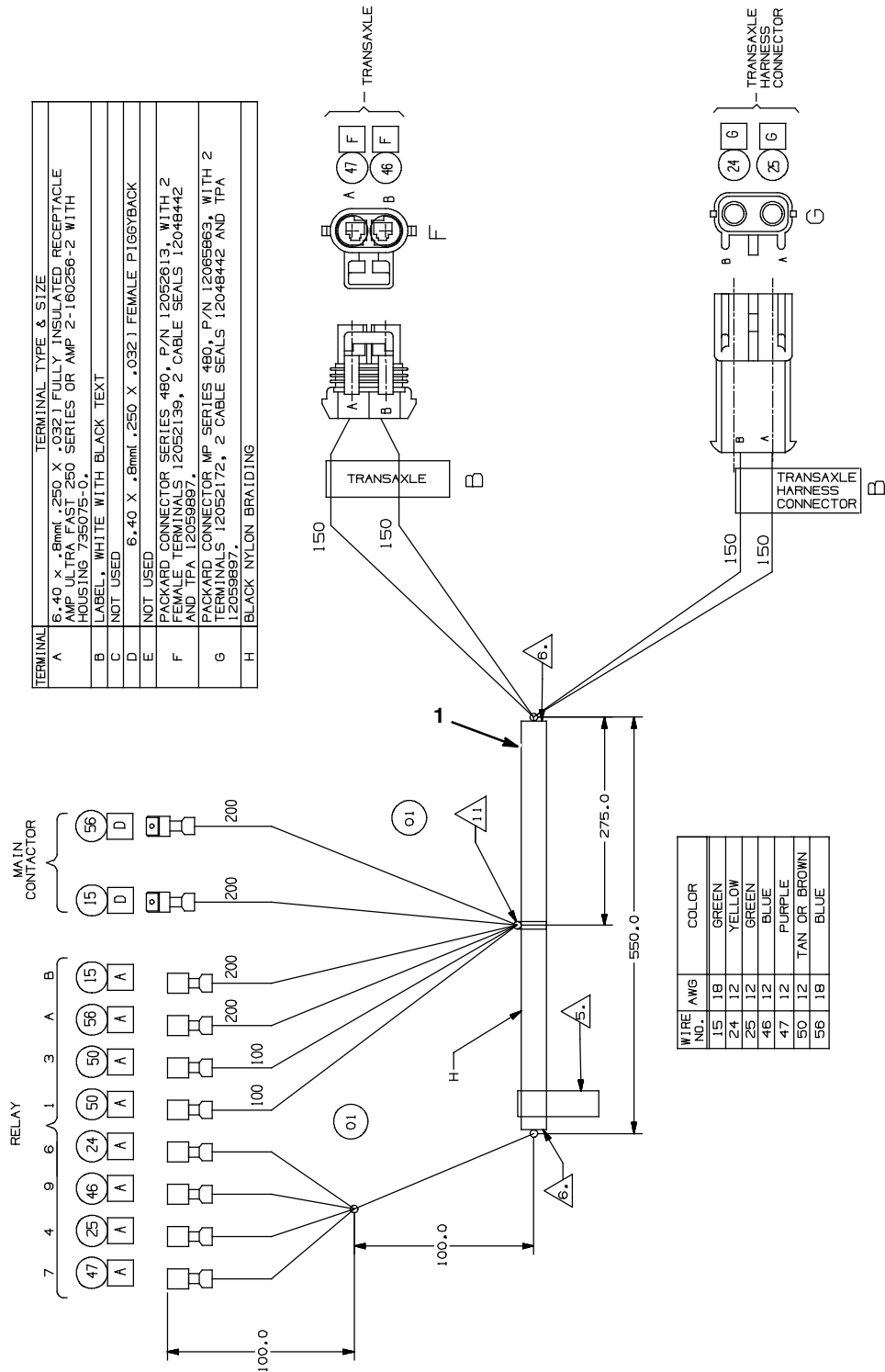
WIRE #	COLOR	AWG	mm ²
14C	YELLOW	18	.75
22	BROWN	18	.75

COMPONENT	DESCRIPTION
A	PLUS 2 CIRCUIT AMP .14S CENTERLINE CONNECTOR 250V, 7A P/N 770340-1, PIN TERMINALS P/N 784017 OR 354628-1.
B	CONNECTOR BODY 2M, 250MP / SERIES, P.E. #1530002, PER CONN.) CONNECTOR 1, 250MP / SERIES, P.E. #1530012, PER CONN.) CONNECTOR 1, 250MP / SERIES, P.E. #1530011, PER CONN.) TERMINALS, MALE 250MP / SERIES 12048159 (2 PER CONN.)
C	BLACK NYLON BRAIDING.

Ref.	Part No.	Serial Number	Description	Qty.
1	1023757	(00000000-) Harness [Fast, Option, T5]	1

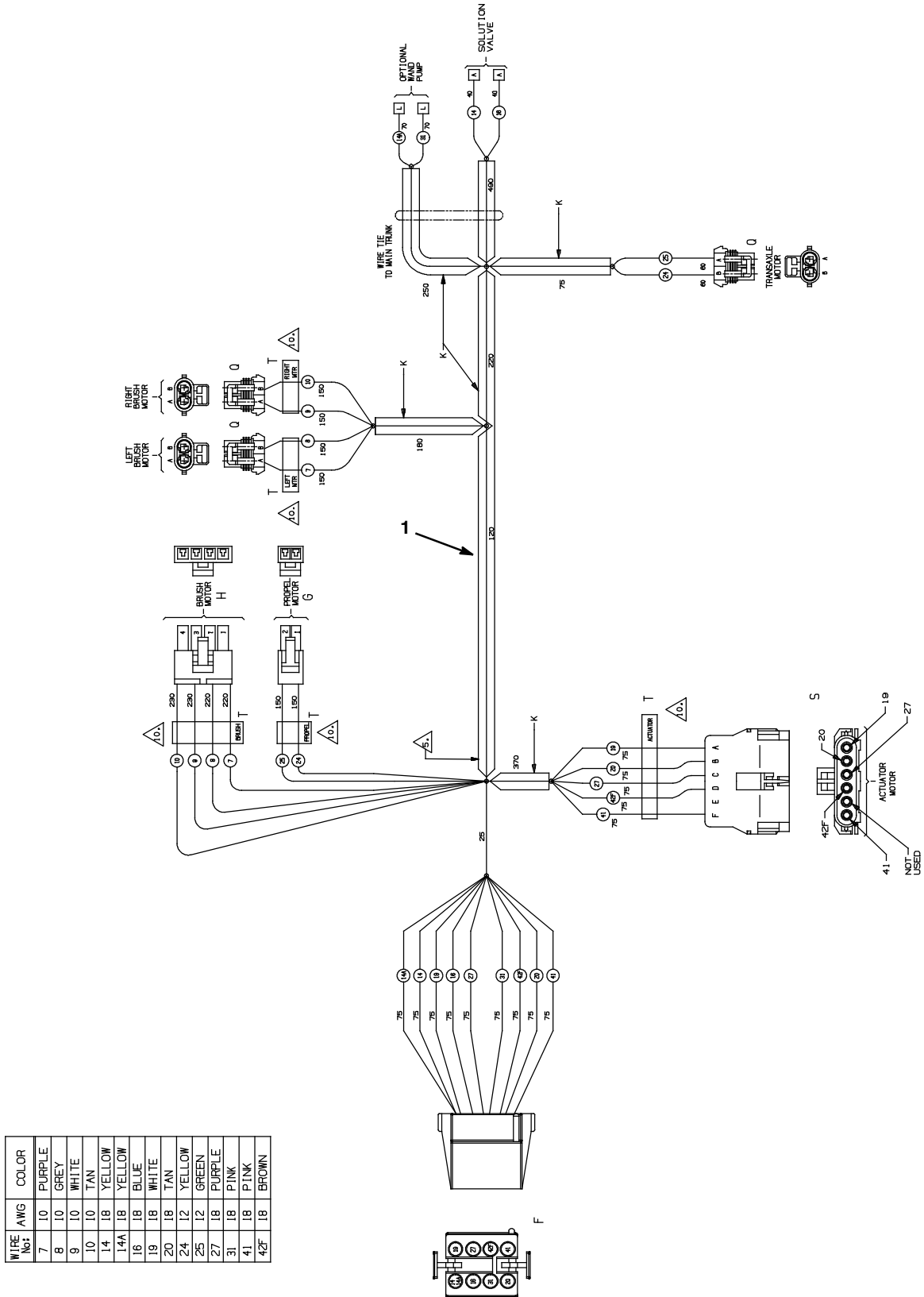
WIRE HARNESS GROUP, BRAKE

355125



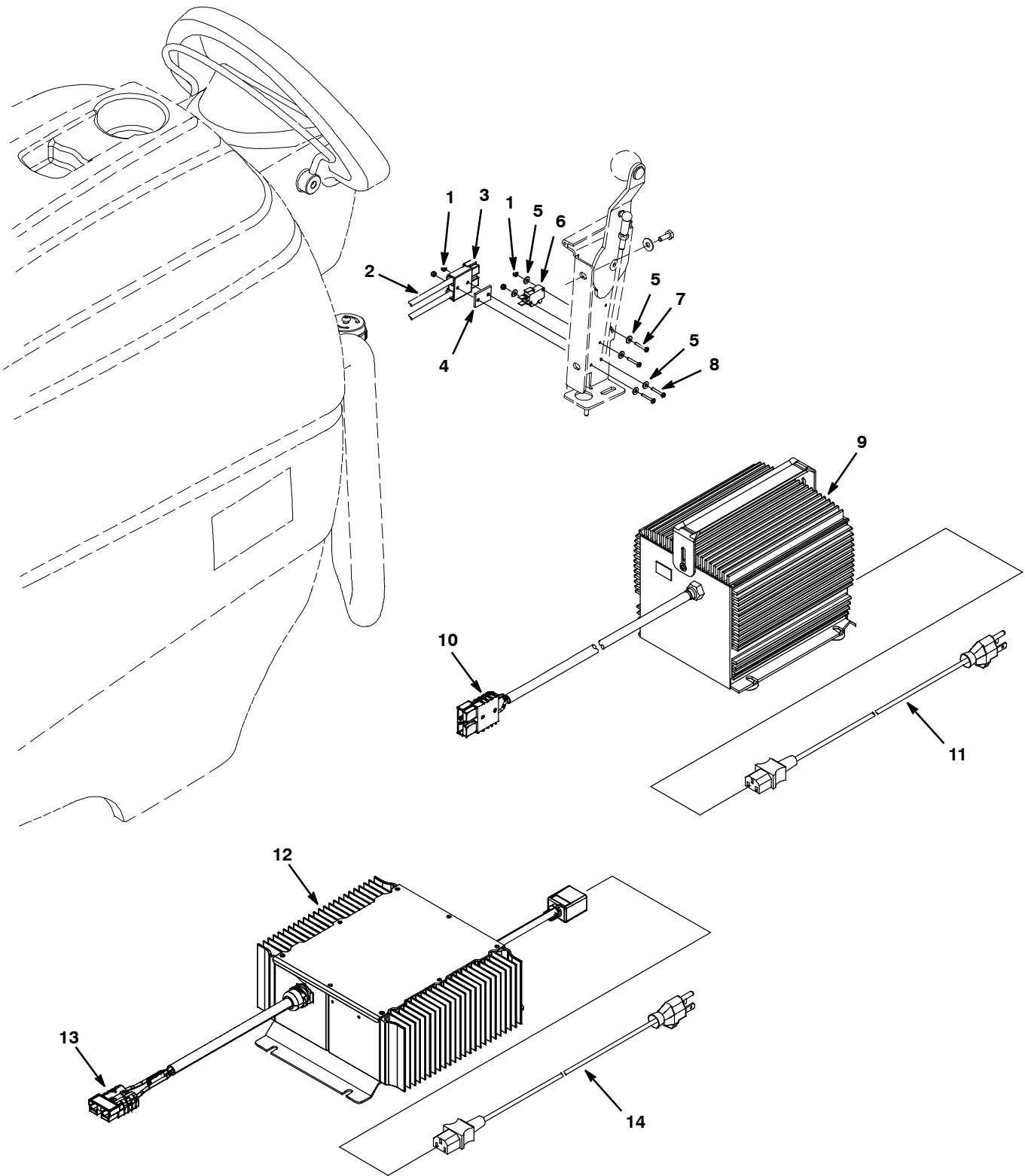
Ref.	Part No.	Serial Number	Description	Qty.
1	1035576	(10306157-) Harness, Wire, Brake [T5, Na]	1

WIRE HARNESS GROUP, CHASSIS



Ref.	Part No.	Serial Number	Description	Qty.
1	1024588	(0000000-) Harness, Chassis, Wire, Us [T5]	1

OFF-BOARD CHARGER GROUP



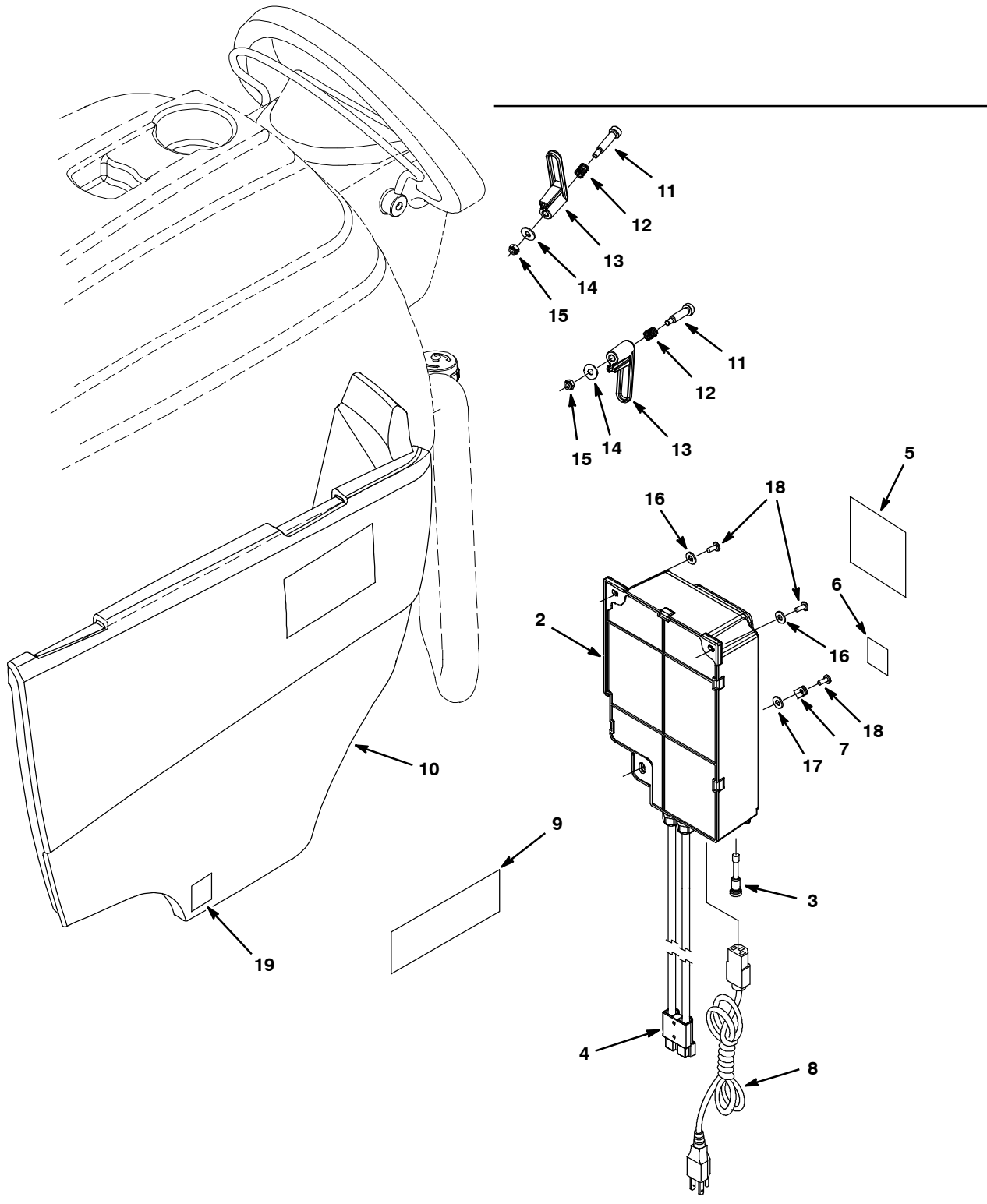
OFF-BOARD CHARGER GROUP

	Ref.	Part No.	Serial Number	Description	Qty.
	1	579211	(00000000-) Nut, Hex, Lock, M3 X .5, Ss	4
▽	2	1024514	(00000000-) Harness, Chrgr	1
▲	3	605387	(00000000-) Connector, 50a, Red W/O Contact[Anderson	1
	4	603331	(00000000-) Spacer, Chrgr Plug	1
	5	41578	(00000000-) Washer, Flat, #06, Ss	6
	6	611005	(00000000-) Switch, Rlr, 16a, Micro	1
	7	06922	(00000000-) Screw, Pan, M3 X 0.5 X 20, 4.8	2
	8	33933	(00000000-) Screw, Pan, M3 X 0.5 X 25, Ss	2
▽	9	1029256	(00000000-) Charger, 24vdc, 19a Var Vac 1ph 50/60hz	1
▲	10	605387	(00000000-) Connector, Anderson, 50a,Red W/O Contact	1
▲	11	1017079	(00000000-) Cord, Extn, 16ga /3, 010ft [Sjt]	1
▽	12	1043663	(00000000-) Charger, 24vdc 25a 100- 240vac 50/60hz (Japan)	1
▲	13	605387	(00000000-) Connector, Anderson, 50a,Red W/O Contact	1
	14	989584	(00000000-) Power Cord With Plug, [125v12a]#4.5m (Japan)	1

▽ ASSEMBLY

▲ INCLUDED IN ASSEMBLY

ON-BOARD CHARGER GROUP



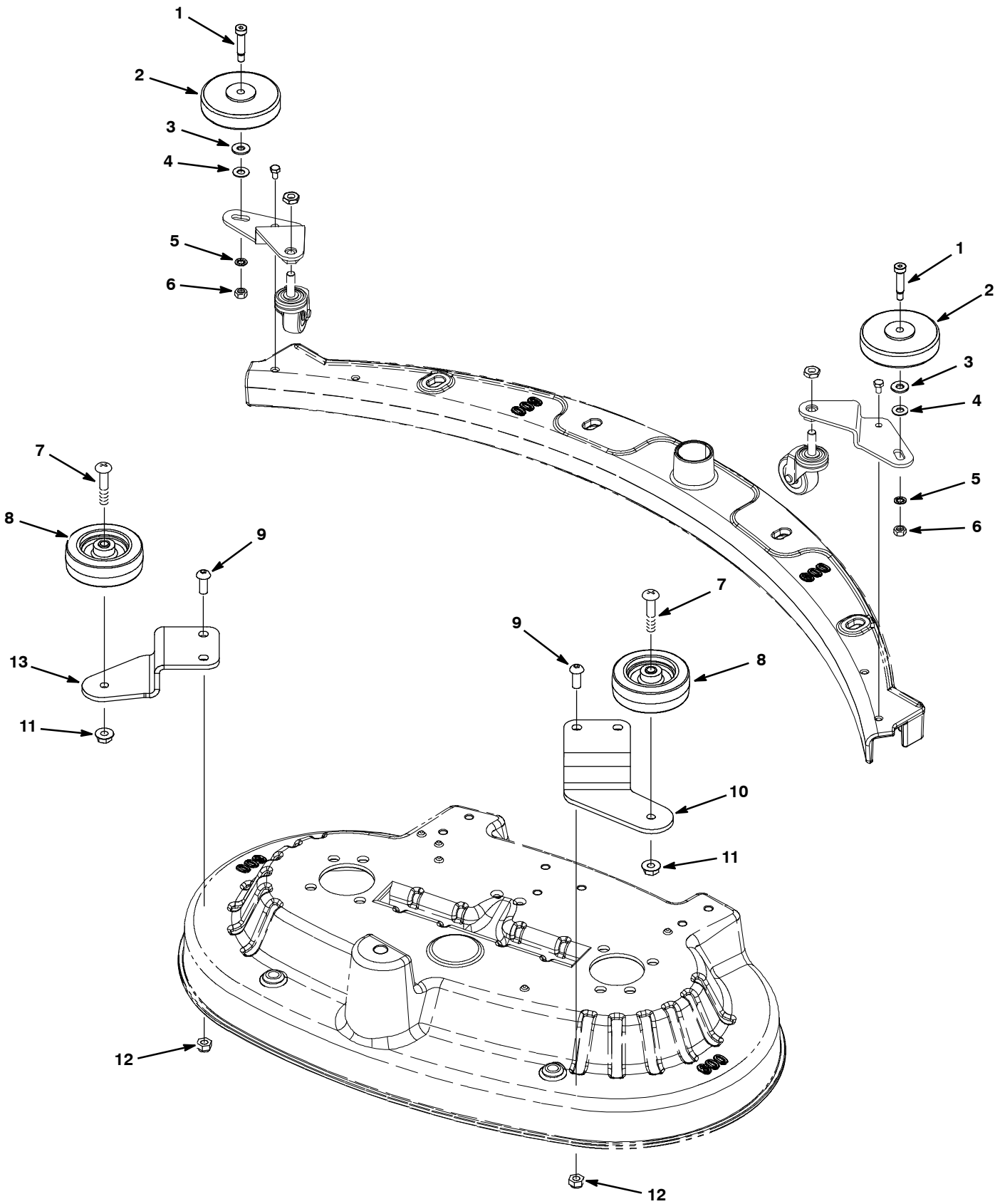
ON-BOARD CHARGER GROUP

Ref.	Part No.	Serial Number	Description	Qty.
▽	1	9003295	(00000000-) Charger Kit, Battery, Ci [120v T5 Na] (North America)	1
▽	1	9003770	(00000000-) Charger Kit, Battery, Ci [100v, T5 Jp] (Japan)	1
▽	1	9003296	(00000000-) Charger Kit, Batt, 230v, Fr/ [T5 Aust] (Australia)	1
▲▽	2	9008898	(00000000-) Charger, 120vac [Onboard] (North America)	1
▲▽	2	1042809	(00000000-) Charger, 100vac [Onboard] (Japan)	1
▲▽	2	1042808	(00000000-) Charger, 230vac [Onboard, Export] (Australia)	1
▲▲	3	1030692	(00000000-) Vr, Fuse, Replmt, 15 Amp F/1022874 (North American & Japan)	1
▲▲	3	1030746	(00000000-) Vr, Fuse, 10a, F/1025146- 1026909, Replmt (Australia)	1
▲▲	4	605387	(00000000-) Connector, Anderson, 050a, Red [W/O Con] (North America Charger Only)	1
▲▲	5	1025158	(00000000-) Label, Charger, Afmkt	1
▲▲	6	578768	(00000000-) Label, Hzrd, [Hazardous Voltage] Txtls	1
▲	7	26395- 2	(00000000-) Clamp, Cable, Stl, 0.38d X 0.38w, 1h	1
▲	8	1025642	(00000000-) Cord, Power, 16/3, 4.5 Meters, Blk [Us] (North America)	1
▲	8	989584	(00000000-) Power Cord With Plug, [125v12a]#4.5m (Japan)	1
▲	8	1026325	(00000000-) Cord, Power, 1.0mm2 X 2.5 Meters [Aus] (Australia)	1
▲	9	1028175	(00000000-) Label, Instr [Charger Setting]	1
▲	10	1022059	(00000000-) Panel, Side, Rm- TI, Lh, Trimmed, W/Chrg	1
▲	11	1024965	(00000000-) Bolt, Shld, 8mmd X 30, M6x1.0	2
▲	12	611311	(00000000-) Spring, Cmpr, 10.9d, 1.1w, 12.7l Mw Zn	2
▲	13	610906	(00000000-) Hook, Cord Viper	2
▲	14	01684	(00000000-) Washer, Flat, 0.27b 0.69d .05, Ss	2
▲	15	08712	(00000000-) Nut, Hex, Lock, M6 X 1.00, Ss, NI	2
▲	16	01683	(00000000-) Washer, Flat, 10, Ss	2
▲	17	01684	(00000000-) Washer, Flat, 0.27b 0.69d .05, Ss	1
▲	18	609062	(00000000-) Screw, Pan, M5 X 0.80 X 16, Pozi, Ss	3
▲	19	600624	(00000000-) Label, Parking Brake, Symbol	1
▲	N/S	130773	(00000000-) Tie, Cable, Nyl, 11.0l, .14w, 3.0 Max. D	6

▽ ASSEMBLY

▲ INCLUDED IN ASSEMBLY

BUMPER WHEEL KIT



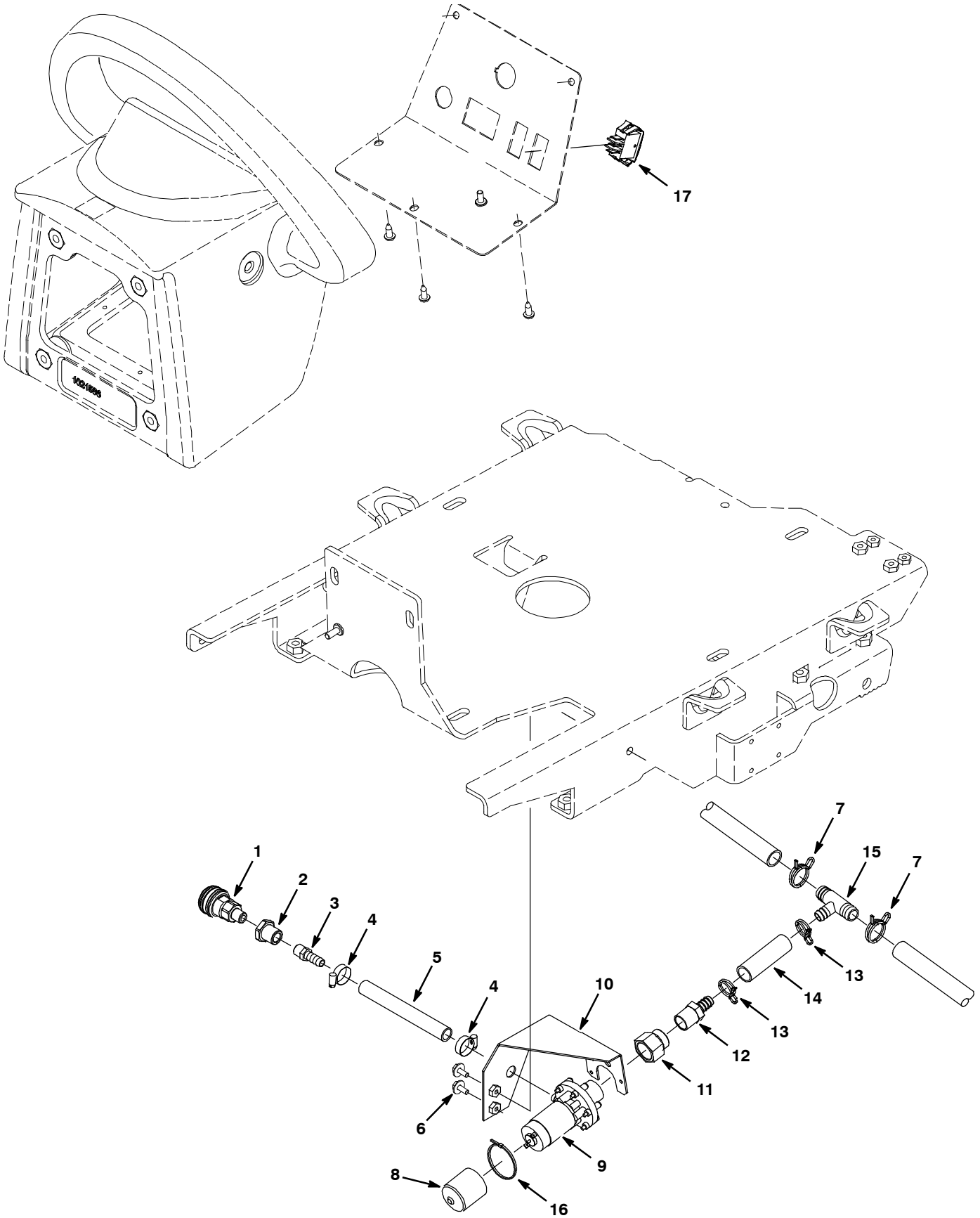
BUMPER WHEEL KIT

Ref.	Part No.	Serial Number	Description	Qty.
▽	9004459	(00000000-) Wheel Kit, Bumper, Retrofit [T5]	1
▲	1 600187	(00000000-) Bolt, Shld, .38d X 1.25, .31- 18	2
▲	2 614317	(00000000-) Wheel, 04.0d 1.00w 0.38b, Rbr, Gray	2
▲	3 01685	(00000000-) Washer, Flat, 0.38b 0.88d .08, Ss	2
▲	4 069762311	(00000000-) Washer, Flat, M7.9b X 19d X 1.7 Ss	2
▲	5 43952	(00000000-) Washer, Lock, Int, 0.31, Ss	2
▲	6 140506	(00000000-) Nut, Hex, Std, .31- 18, Ss	2
▲	7 606983	(00000000-) Screw, Trs, M8 X 1.25 X 40, Phl, Pl	2
▲	8 1014918	(00000000-) Wheel, 03.0d 0.88w 0.31b, W/ Bshg, Rbr	2
▲	9 393135	(00000000-) Screw, Btn, M8 X 1.25 X 20, Blk	4
▲	10 1023268	(00000000-) Bracket, Roller, Wall, Scb Head, 70cm	1
▲	11 07791	(00000000-) Nut, Hex, Flng, M8 X 1.25	2
▲	12 08713	(00000000-) Nut, Hex, Lock, M8 X 1.25, Nl, Ss	4
▲	13 1022344	(00000000-) Bracket, Roller, Wall, Scb Head, 60cm	1

▽ ASSEMBLY

▲ INCLUDED IN ASSEMBLY

WAND PUMP KIT



WAND PUMP KIT

	Ref.	Part No.	Serial Number	Description	Qty.
▽		9003398	(00000000-) Pump Kit, Wand, Power, Ci [T5]	1
▲	1	608292	(00000000-) Connection, Quick, Fem .375" X .25" Npt	1
▲	2	78122	(00000000-) Fitting, Brs, Str, Pf04/Pf04, Bh	1
▲	3	150516	(00000000-) Fitting, Brs, Str, Pm04/Bm06	1
▲	4	54333	(00000000-) Clamp, Hose, Wormdrive, 0.31- 0.88d, .31w	2
▲	5	575501000	(00000000-) Hose 3/8idx5/8odx8" (376720)	1
▲	6	1034731	(00000000-) Screw, Hex, M6 X 1.00 X 16, Sems, Ss	2
▲	7	1041978	(00000000-) Clamp, Hose, Wir, .85 - .90, Silver	2
▲	8	605064	(00000000-) Cap, Vinyl, 1.38 D 1.6l	1
▲	9	630136	(00000000-) Pump, Soltn, Ele, 24vdc, 3116" Term 3/4"	1
▲	10	1023515	(00000000-) Bracket, Mtg, Pump, Wand	1
▲	11	150017	(00000000-) Fitting, Brs, Str, Pf08/Pf12, Cplg[Redr]	1
▲	12	1023581	(00000000-) Fitting, Plstc, Str, Bm08/Pm08, Nyl	1
▲	13	607776	(00000000-) Clamp, Hose, Wir, .73 - .77, Silver	2
▲	14	613521	(00000000-) Hose, Pvc, Clr, 0.50id 0.75od 012.0l	1
▲	15	1015486	(00000000-) Fitting, Plstc, Tee, Bm08/Bm10/Bm10, Br	1
▲	16	130773	(00000000-) Tie, Cable, Nyl, 11.0l, .14w, 3.0 Max. D	2
▲	17	130787	(00000000-) Switch, Rocker, Spdt	1

▽ ASSEMBLY

▲ INCLUDED IN ASSEMBLY

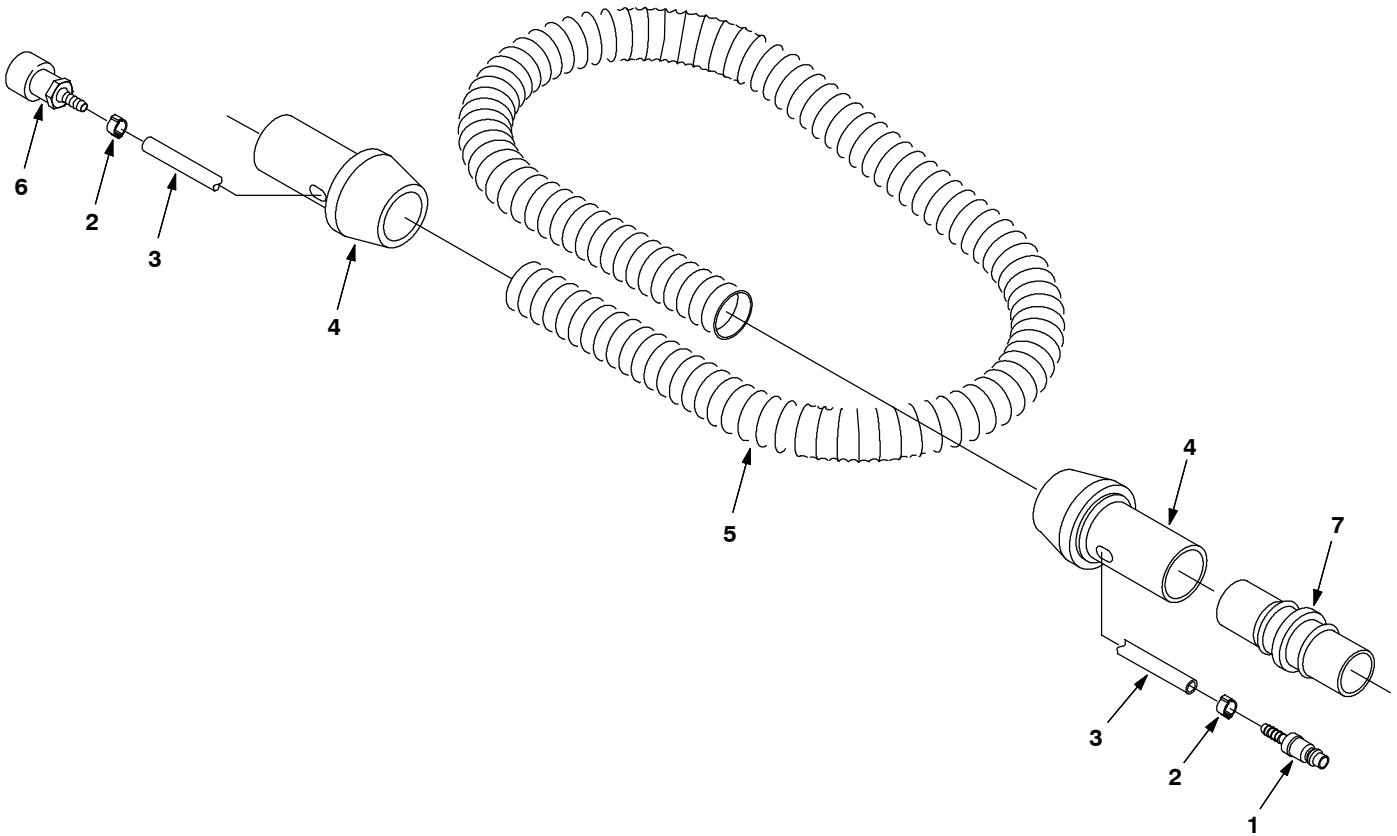
DELUXE POWER WAND GROUP

Ref.	Part No.	Serial Number	Description	Qty.
▽	65340	(00000000-) Wand Assy, Power	1
▲	1 578060000	(00000000-) Wand, Dbl Bend, 38.1mmd	1
▲	2 578077000	(00000000-) Bracket Valve Mounting Wand	1
▲	3 578061000	(00000000-) Adapter, Head / Wand	2
▲	4 1037595	(00000000-) Fitting, Plstc, E90, Bm04/Pm02, Nyl	1
▲	5 579112	(00000000-) Fitting Spray Nozzle Adapter	1
▲	6 602036000	(00000000-) Rivet, Blind	2
▲	7 578066000	(00000000-) Fitting, Brs, Tip [75, .125k- Jet]	1
▲	8 65610	(00000000-) Brush, Power Wand, W/ Fastener, Pyp	1
▲	9 578063000	(00000000-) Head, Wand	1
▲	10 578078000	(00000000-) Retainer, Sqge, Wand	2
▲	11 578074000	(00000000-) Blade, Sqge, 300.8mml, Wand	2
▲	12 578124000	(00000000-) Bracket,Axle,1hole	1
▲	13 578439	(00000000-) Nut, Thumb, M6 X 1.0, 30d	1
▲	14 613732	(00000000-) Spring, Cmpr, Conical 15mm	1
▲	15 578143000	(00000000-) Screw, Set, M6 X 1.0 X 40, Cuppt, Ss	1
▲	16 578126000	(00000000-) Axle,Wand	1
▲	17 578125000	(00000000-) Wheel, 41.3d, 19.1w, Rbr	2
▲	18 578123000	(00000000-) Bracket,Axle,3hole	1
▲	19 578155000	(00000000-) Handle Wldt, Wand	1
▲	20 578154000	(00000000-) Bracket Handle Wand	1
▲	21 578091000	(00000000-) Fitting, Brs, Qdc, Pm04, Plug	1
▲	22 578164000	(00000000-) Grommet,0.38"Id,0.62"Gd,.06"Gw	1
▲	23 578821000	(00000000-) Hose 1/4id X 3/8od X 1.22m	1
▲	24 578161000	(00000000-) Clamp, Hose, Ear, 8- 11mm, Ss	1
▲	25 578094000	(00000000-) Fitting, Nyl, Str, Pm04/Bm04	1
▲	26 578064000	(00000000-) Valve, Cntrl, Water	1
▲	27 150208	(00000000-) Fitting, Brs, Str, Pm02, Plug [Skhd]	1
▲	28 20399	(00000000-) Bolt, Carriage, .25- 20 X 0.75	2
▲	29 200304017	(00000000-) Washer, Flat, M6.4 X 13 X 1.6, Pl	2
▲	30 41169	(00000000-) Nut, Hex, Lock, .25- 20, NI, Ss	2
▲	31 07785	(00000000-) Nut, Hex, Std, M6 X 1.0, A2, Ss	1
▲	32 1026454	(00000000-) Screw, Pan, M5 X 0.8 X 10, Ss	4
▲	33 07514	(00000000-) Washer, Lock, Int, #10, Ss	8
▲	34 578144000	(00000000-) Screw, Pan, M5 X 0.8 X 16,Phl,Ss,Dn7985a	4
▲	35 578566	(00000000-) Screw 4x30 Fltphl Ss	2
▲	36 33932	(00000000-) Nut, Hex, Lock, M4 X 0.7, NI, Ss	2
▲	37 140885	(00000000-) Screw, Trs, .25- 20 X 0.50, Phl, Ss	2
▲	38 65582	(00000000-) Brush, Power Wand, W/ Fastener, Abr (Optional)	1

▽ ASSEMBLY

▲ INCLUDED IN ASSEMBLY

POWER WAND HOSE GROUP

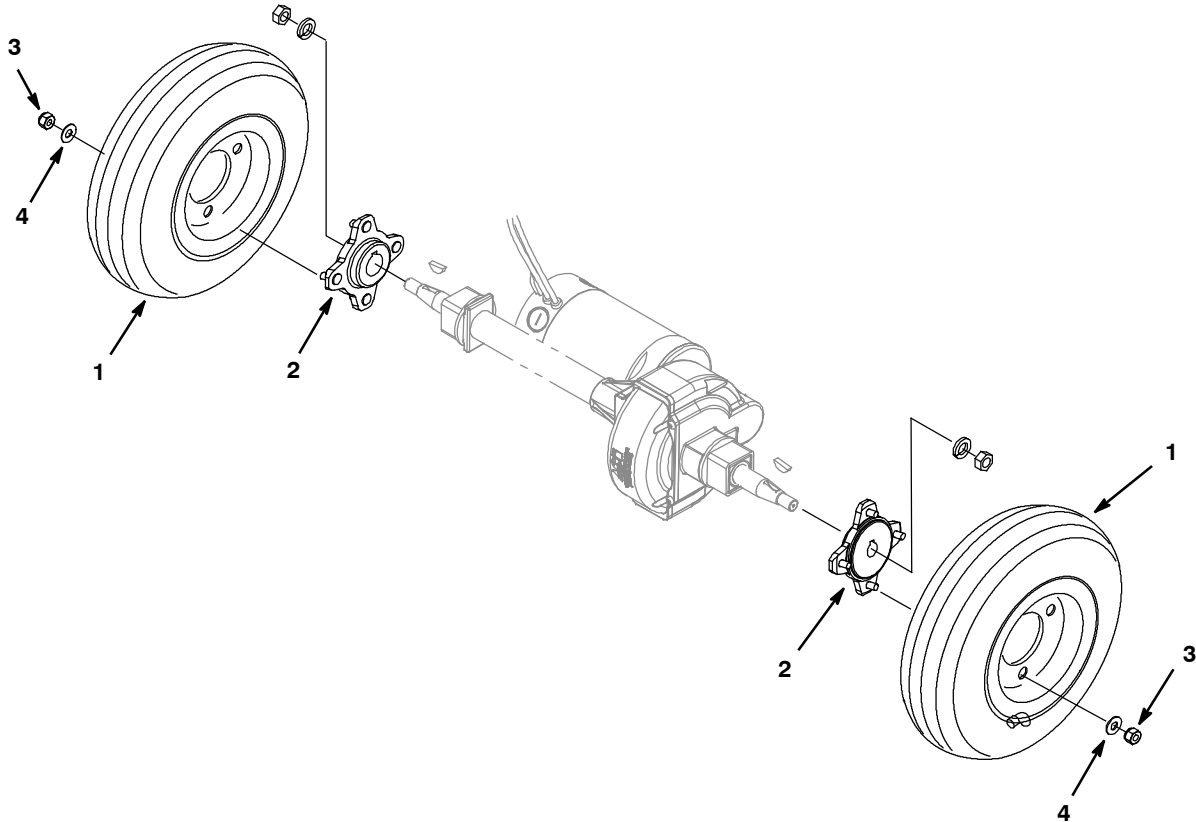


Ref.	Part No.	Serial Number	Description	Qty.	
▽	65341	(00000000-) Hose Assy, Wand, Power	1	
▲	1	578318000	(00000000-) Fitting, Stl, Qdc, Bm04	1
▲	2	578160000	(00000000-) Clamp, Hose, Ear, 11- 13mm, Ss	2
▲	3	578820000	(00000000-) Hose, Pvc, 0.25id X 157l	1
▲	4	578072000	(00000000-) Cuff, Swivel, 1.5 Blk	2
▲	5	1052212	(00000000-) Hose, Vacuum, 1.50id X 10ft, Gray	1
▲	6	578071000	(00000000-) Fitting, Brs, Qdc, Bm04/Pf04	1
	7	12694	(00000000-) Fitting, Plstc, Str, Bm24/Bm24	1

▽ ASSEMBLY

▲ INCLUDED IN ASSEMBLY

OPTIONAL WHEEL KIT

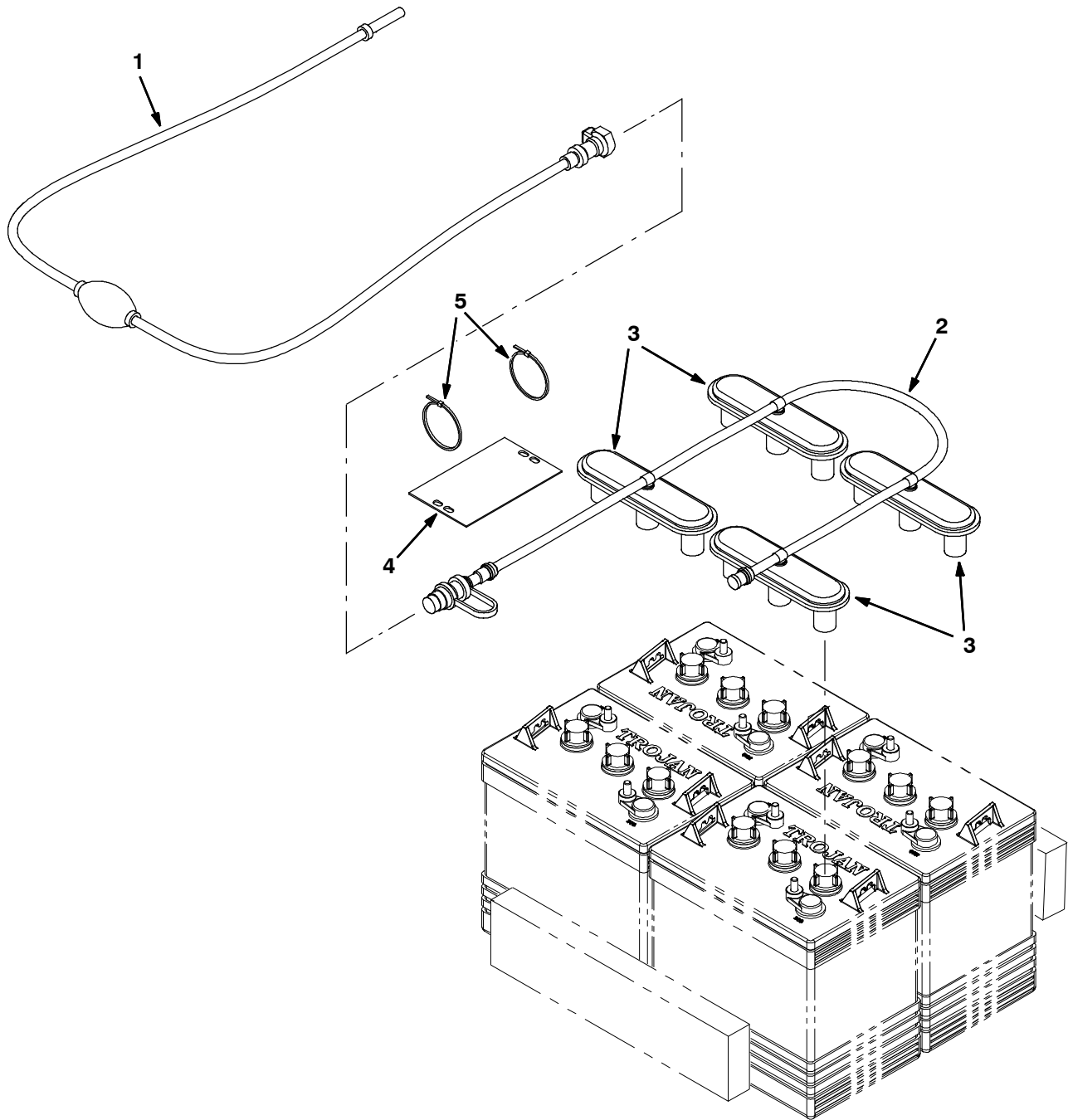


Ref.	Part No.	Serial Number	Description	Qty.
▽	9004903	(00000000-) Wheel Kit, Pneumatic, Ci [T5 T5e Ss5]	1
▲ 1	1059452	(00000000-) Tire Assy, Pneu, Grey, 2.8/2.5- 04 2.75bc	2
▲ 2	1048125	(00000000-) Hub, Wheel [Tapered Shaft]	2
▲ 3	08712	(00000000-) Nut, Hex, Lock, M6 X 1.00, NI, Ss	8
▲ 4	140000	(00000000-) Washer, Flat, 0.28b 0.62d .04, Ss	8
▽	9004904	(00000000-) Wheel Kit, Foam Filled, Ci [T5 T5e Ss5]	1
▲ 1	1068472	(00000000-) Tire Assy, Foam, Hi- Dns, Grey,2.8/2.5- 04	2
▲ 2	1048125	(00000000-) Hub, Wheel [Tapered Shaft]	2
▲ 3	08712	(00000000-) Nut, Hex, Lock, M6 X 1.00, NI, Ss	8
▲ 4	140000	(00000000-) Washer, Flat, 0.28b 0.62d .04, Ss	8

▽ ASSEMBLY

▲ INCLUDED IN ASSEMBLY

HYDROLINK® BATTERY WATERING SYSTEM KIT



Ref.	Part No.	Serial Number	Description	Qty.
▽	9010300	(00000000-) Watering Kit, Battery, 24vdc, Ci [Trojan]	1
▲	1 1058939	(00000000-) Kit, Pump, Fill, Battery	1
▲	2 1070394	(00000000-) Hose Kit, Battery, 24vdc [J305h Snake]	1
▲	3 1204142	(00000000-) Cap, Watering, Battery [Trojan]	4
▲	4 1071084	(00000000-) Label, Tag, Battery [Hydrolink Watering]	1
▲	5 130773	(00000000-) Tie, Cable, Nyl, 11.0l, .14w, 3.0 Max. D	2

▽ ASSEMBLY

▲ INCLUDED IN ASSEMBLY

HYDROLINK® IS A REGISTERED TRADEMARK OF TROJAN BATTERY COMPANY.

