



Electronic Service Manuals

This electronic document is provided as a service to our customers. We do not create the contents of the information contained in this document. Should you have detailed questions pertaining to the information contained in this document, you may contact Michco, or the manufacturer which provided the original information in this electronic deliverable. Michco's only part in this electronic deliverable was the electronic assembly process. By providing this manual online we are not guaranteeing parts availability.

You may contact Michco through the following methods:

Phone (517) 484-9312

2011 N. High St. -- Lansing, Michigan -- 48906

Fax: (517) 484-9836

Email: CustomerService@Michco.com

Website: www.Michco.Com

Order Parts online at:

www.Michco.Com

Directly to Parts & Service:

By Email: **CustomerService@Michco.com**

By Fax: (517) 484-9836

By Voice: (517) 484-9312

Serving the Cleaning Industry Since 1922

Notice: All copyrighted material remains property of original owners, all trademarks are property of respective owners. Manuals are subject to Manufacturer's reproduction limitations. Originals or reproductions were provided by manufacturers through a request. We make no warranty as to the correctness of information provided in this document and you assume all risk. By placing these manuals on line we are not declaring our corporation to be an manufacturer authorized dealer or provider, please check our web site for authorized manufacturers we represent.

**SQUARE
SCRUB**®
Versatility²

OWNER'S MANUAL

EBG SERIES SURFACE PREPARATION MACHINES



EBG-28



EBG-20/C

WWW.SQUARESCRUB.COM / 800.557.6822



SQUARE SCRUB EBG SERIES SURFACE PREPARATION MACHINES

Owner's Manual About the Square Scrub Floor Surface Preparation Machine

Square Scrub's EBG machines are American Made. Our EBG Surface Preparation machines offer removable weights, a 1.5hp 3450rpm motor, powder coated 10-gauge steel, heavy duty frame, and 6"x2" non-marking ball-bearing wheels with a heavy duty 3/4" solid steel axle. Removable weights (EBG-20/C & EBG-28 only) not only make our machines easy to transport, but also allow users to tailor the weight to suit their needs.

With a selection of over 30 different surface preparation pads, there really is only one machine for the job. The Square Scrub EBG Surface Preparation Machines are designed to make the most efficient use of every pad, paper or screen used with the machine, saving both time and MONEY.

Please, visit our website at
www.squarescrub.com
for informative videos
and literature.

Contents

- Introduction
- Manual Conventions
- Safety / Important
- Machine Transport
- Operating Instructions
- Troubleshooting Guide
- Parts Breakdown
- Warranty Information
- Pad Information



EBG 20/C

Please provide machine serial number when ordering parts.

800-557-6822

WWW.SQUARESCRUB.COM

Introduction

You are now the proud owner of an EBG-Series machine. This machine is a product of Square Scrub. It is made of fine materials and will give you many years of satisfactory service if maintained and used according to the guidelines in this owner's manual.

Please read all Installation, Operation, and Safety Instructions before using this machine.

This product is for Industrial/Institutional/Commercial Use Only.

**WARNING OF POTENTIAL INJURY!
MOVING PARTS! UNPLUG BEFORE SERVICING!**

This product contains moving parts. To reduce the risk of injury, unplug before servicing.

General Safety

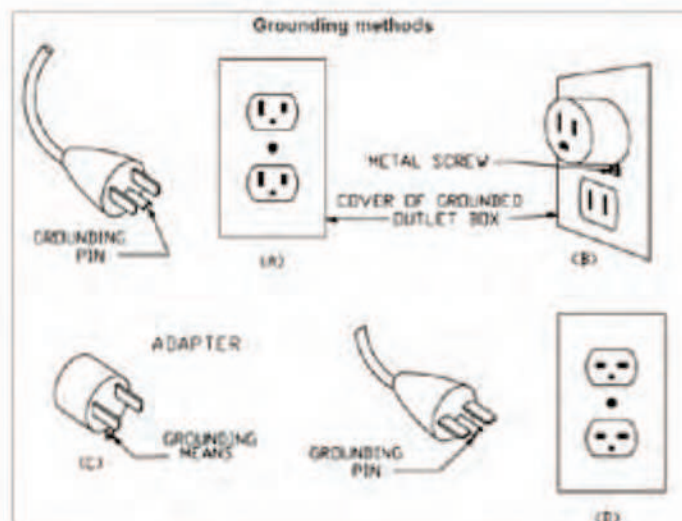
- This floor-finishing machine shall be grounded while in use to protect the operator from electric shock. The machine is provided with a three-conductor cord and a three-contact grounding type attachment plug to fit the proper grounding type receptacle. The green (or green and yellow) conductor in the cord is the grounding wire. Never connect this wire to anything other than the grounding pin of the attachment plug.

- This machine is for use on a nominal 120-volt circuit and has a grounding plug that resembles the plug in figure 1.

- Make sure that the machine is connected to an outlet having the same configuration as the plug.

No adapter should be used with this machine.

figure 1



Manual Conventions

Danger: Indicates an imminently hazardous situation which, if not avoided, may result in death or serious injury.

Caution: Indicates that machine or property damage could result if instructions are not followed.

Note: Provides helpful information.

Severe bodily injury or death can occur to you or other personnel if warnings found on this machine or in this owner's manual are ignored. Read and observe all statements and instructions found on the machine and in the owner's manual.

Who to call for assistance

If you work with a Square Scrub-authorized dealer, contact them for assistance. If any contents of the box are missing, contact your Square Scrub-authorized dealer, or reseller. If you purchased your machine directly from Square Scrub, contact Square Scrub at 1.800.557.6822 for service in the United States and Canada. For worldwide service, call Square Scrub directly at 870.930.9898. Make sure you have the machine's serial number, located on the back of the machine, when you call.

Liability statement

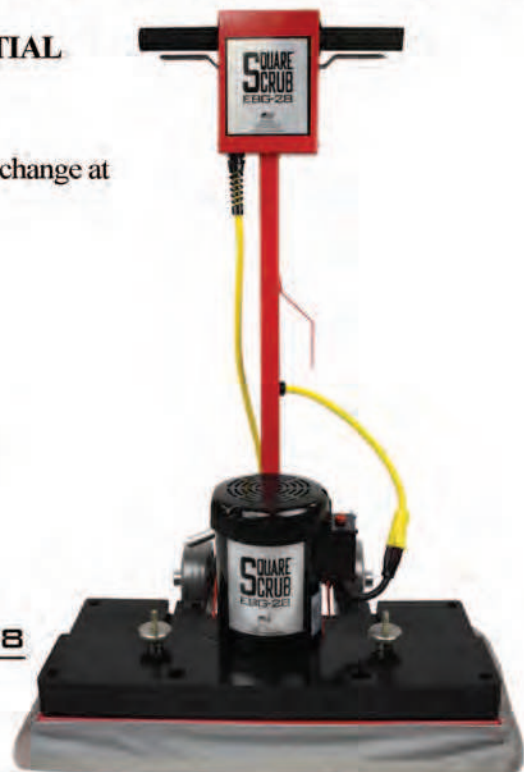
This Square Scrub machine has been built to the highest industry standards. Please note and heed the **WARNING** and **CAUTION** labels that have been placed on the machine and in this manual for your safety. **PLEASE DO NOT ATTEMPT TO OPERATE OR REPAIR THIS EQUIPMENT WITHOUT ADEQUATE TRAINING. ANY USE, OPERATION, OR REPAIR IN CONTRAVENTION OF THIS DOCUMENT IS AT YOUR OWN RISK. BY ACCEPTANCE OF THIS SYSTEM YOU HEREBY ASSUME ALL LIABILITY CONSEQUENT TO YOUR USE OR MISUSE OF THIS EQUIPMENT. SQUARE SCRUB SHALL NOT BE LIABLE FOR ANY INCIDENTAL, INDIRECT, SPECIAL, OR CONSEQUENTIAL DAMAGE OF ANY KIND.**

Equipment specifications, applications, and options are subject to change at the sole discretion of Square Scrub without notice.

Safety

All Square Scrub machines are built to strict safety standards pertaining to operation and repair of Square Scrub equipment are primarily environmental and human interface. The following basic safety tips are given to ensure safe installation, operation, and maintenance of Square Scrub.

EBG-28



Important

- Never leave the machine unattended while power cord is connected.
- Do not operate this machine while under the influence of alcohol or other drugs.
- Never allow children under age 18 to operate this machine.
- Unplug machine from power source before adjusting height of handle or changing pad.
- Always wear personal protective equipment (PPE) when operating this machine.

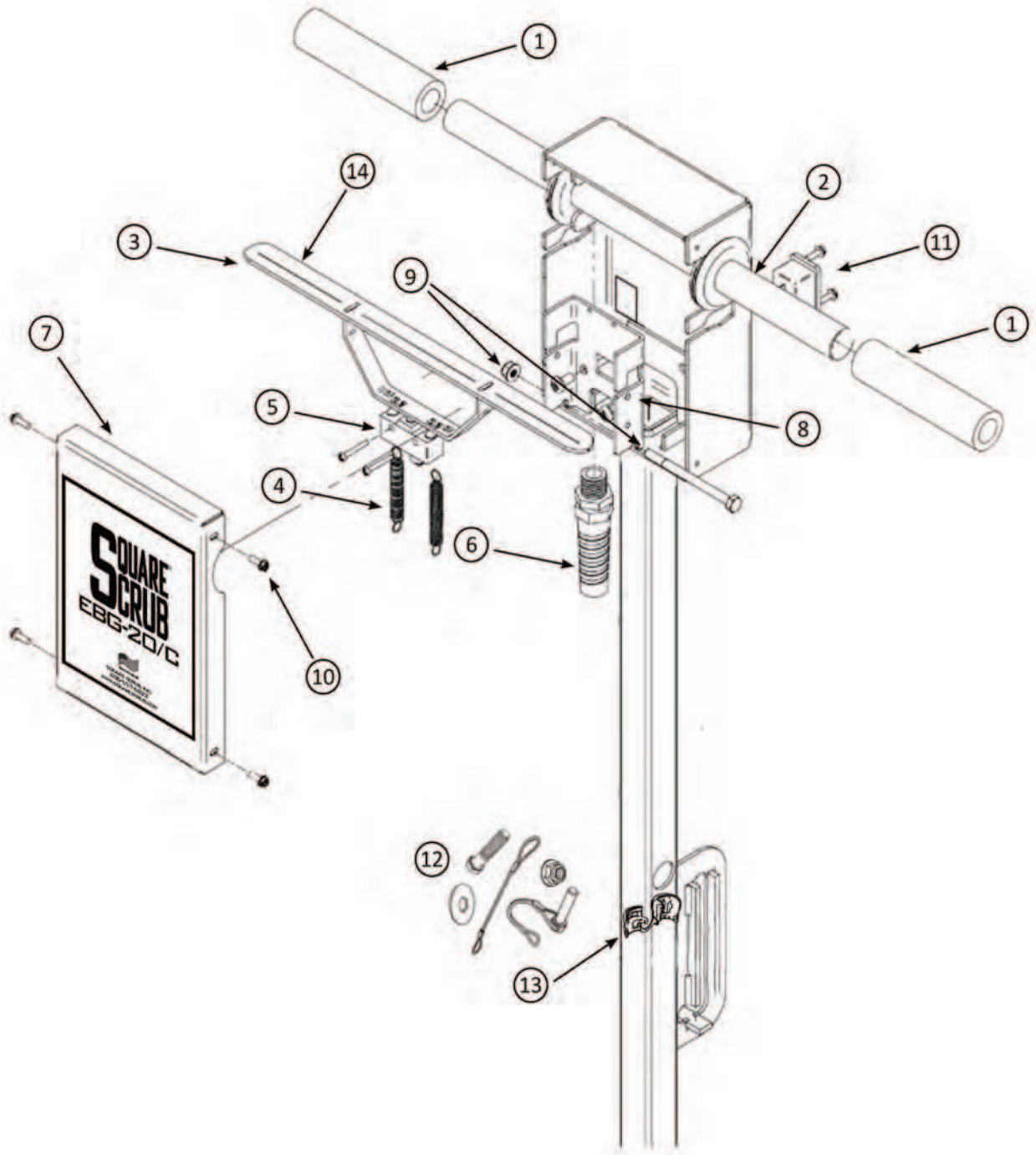


PPE Equipment

<u>Sound Power Level:</u>	<u>Vibration Total:</u>
120V: max 85dBA measured. Avg. around 78dBA	120V: Avg. 6.8 mm/s ² , max at 7.0 mm/s ²
240V: max 81dBA measured, Avg. 75dBA	240V: Avg. 2.8 mm/s ² , max at 3.0 mm/s ²

- Never inhale dust created by the use of this machine. Any modifications to this machine may result in damage to the machine or injury to the operator or others nearby. Alterations to the machine will also void any and all warranty and liabilities.
- Sanding wood decks is not recommended by Square Scrub due to uneven surfaces which could lead to damage to the machine. Some pressure treated wood found in decking contains arsenic that, when sanded, will create hazardous dust. Square Scrub assumes no liability if the machine is used on decks, and damage caused from sanding pressure treated wood will not be warrantied
- Do not operate this machine around fuels, solvents, flammable floor finishes, thinners, wood particulate or any flammable materials. Cigarette lighters, pilot lights, electrical sparks and all other sources of ignition should be extinguished or avoided. Work areas should be well ventilated.
- Keep the power cord clear of the pad. Always lift the cord over the machine. Do not pull on the power cord in an attempt to move the machine. This could result in electrocution. Operating this machine with a damaged power cord could lead to electrocution or fire. Cord should remain clear of moving parts during operation. Never use the cord to navigate the machine. If the supply cord is damaged, it must be replaced by the manufacturer, its service agent or similarly qualified persons in order to avoid a hazard.
- Servicing this machine while still connected to a power source could lead to electrocution or fire. Before performing machine service or maintenance, disconnect the machine from its power source.
- Do not use machine if it has been sprayed with water or left out in the rain. This could result in a shock injury or electrocution.
- Keep feet, hands, and loose clothing away from any moving parts on the machine to avoid injury. Disconnect power cord before changing the pad or when servicing. Damage can occur to the machine or to other property if instructions in the owner's manual are not followed.
- This machine is not intended for use by persons with reduced physical, sensory, or mental capabilities, or lack of experience and knowledge, unless they have been given supervision or instruction concerning use of the machine by a person responsible for their safety.

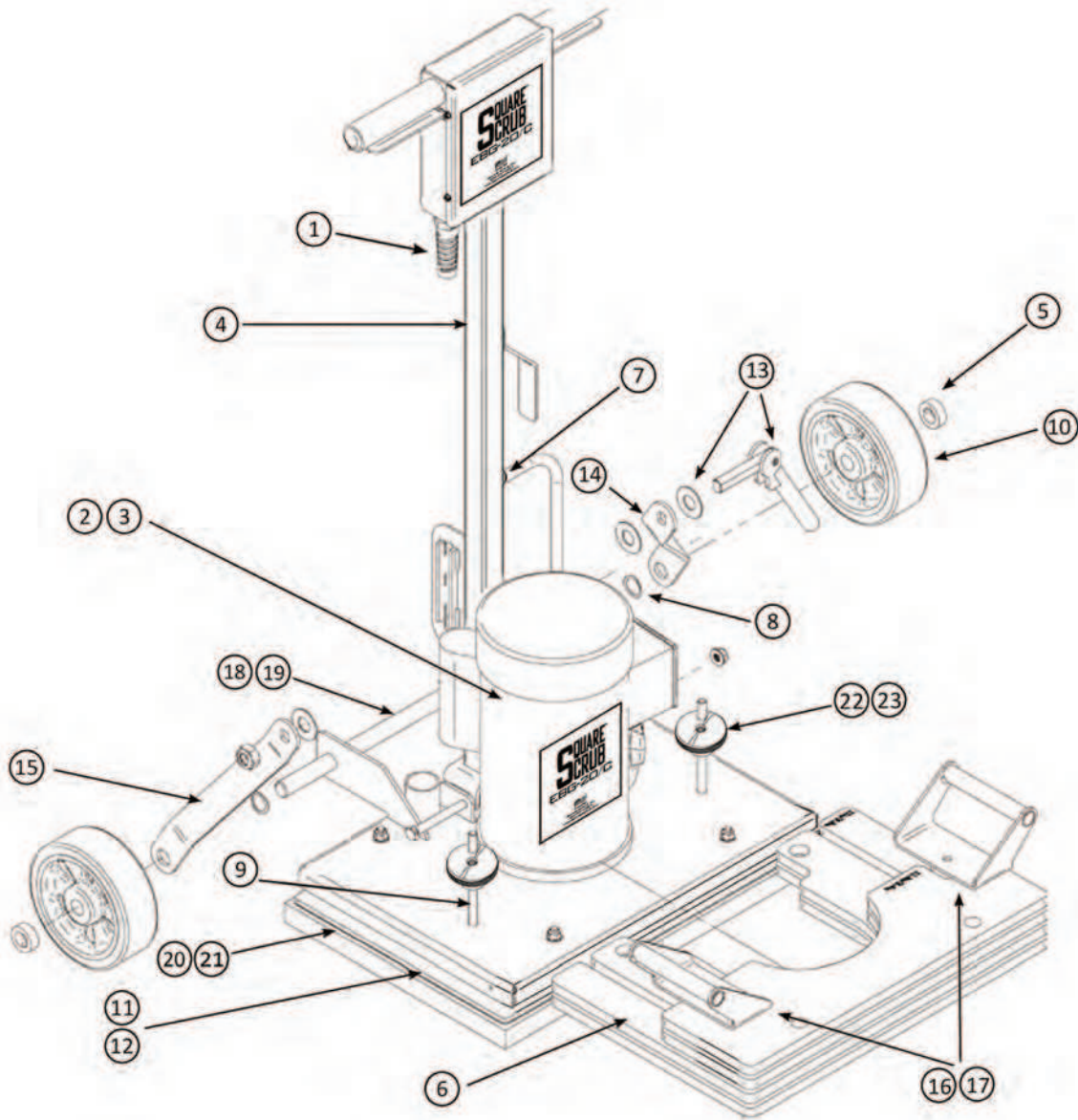
Warning: This machine is not suitable for picking up hazardous dust.



Please provide machine serial number when ordering parts.

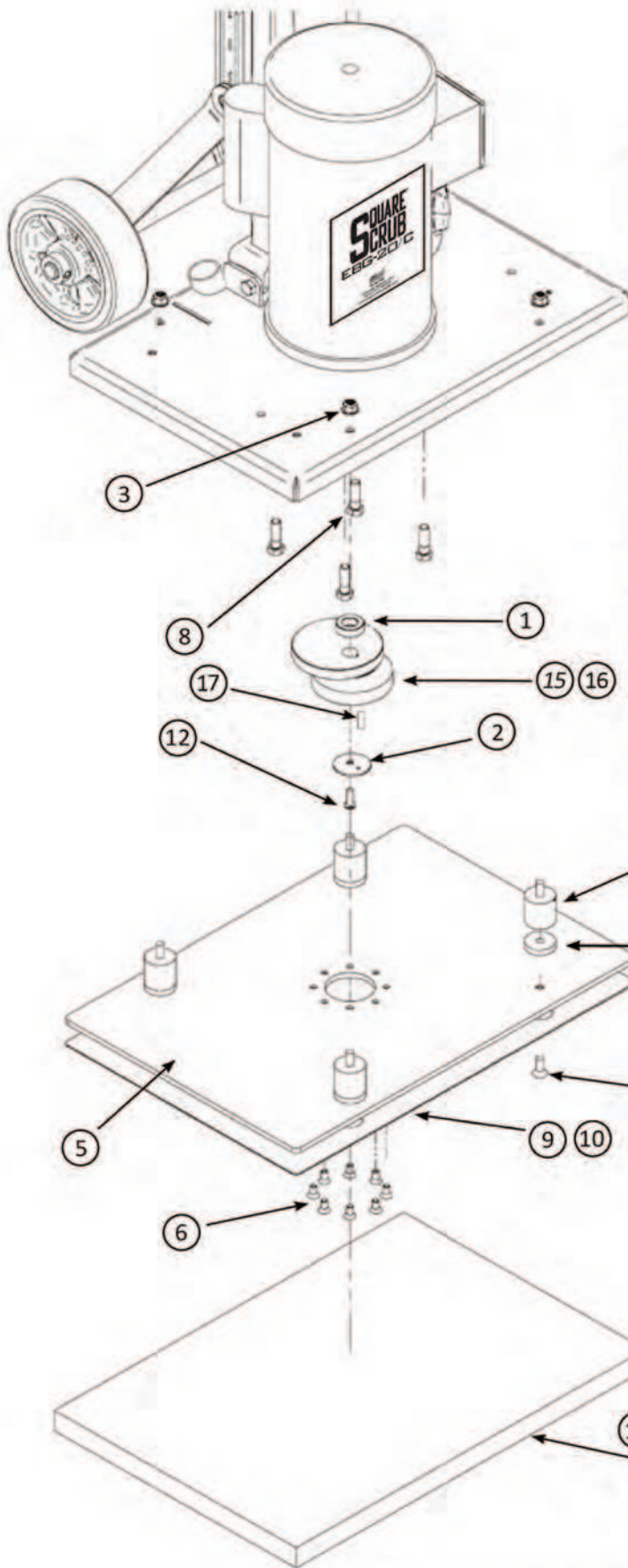
Item No.	Part No.	Part Description	Item No.	Part No.	Part Description
1	SS 0101Z	Foam Hand Grip	8	SS 0108Z	Switch Actuator Guide / Bracket
2	SS 142033	ISO Handle Bar	9	SS 01010Z	Switch Actuator Bolt and Nut
3	SS 0103Z	Switch Bar	10	SS 01011Z	Switch Cover Screw
4	SS 0104Z	Switch Spring	11	SS 142008	Hour Meter Kit
5	SS 142004	Micro Switch	12	SS 142012	Pin & Retainer for Two Piece Handle
6	SS 0106Z	Cord Strain Relief	13	SS 01019Z	Handle Cord Strain Relief
7	SS 0107Z	Switch Cover	14	SS 142034	Trigger End Cap

800-557-6822



Please provide machine serial number when ordering parts.

Item No.	Part No.	Part Description	Item No.	Part No.	Part Description
1	SS 0106Z	Cord Strain Relief	13	SS 142018	Tension Handle Assembly
2	SS 142006-3450	Motor Assembly - 20" 3450 RPM	14	SS 01021ZR	Handle Adjustment Bar
3	SS 142806-3450	Motor Assembly - 28" 3450 RPM	15	SS 01021ZL	Handle Adjustment Bar
Not Shown	SS 01014Z	Power Cord Assembly	16	SS 142020	Heavy Duty Lift Handle 20"
4	SS 01015Z	Handle	17	SS 142820	Heavy Duty Lift Handle 28"
5	SS 01026Z	Axle Collar	Not Shown	SS 142010	Dust Containment Kit 20"
6	SS 142009	Large Plate Weight	Not Shown	SS 142810	Dust Containment Kit 28"
7	SS 01019Z	Strain Relief	18	N/A	Base 20"
8	SS 01024Z	Axle Wave Washer	19	N/A	Base 28"
9	SS 142013	Removable Weight Bolt	20	SS 142005	Skirt/Velcro 20"
10	SS 01025Z	Wheel	21	SS 142805	Skirt/Velcro 28"
11	SS 142015 SEAL	Base Plate Assembly 20"	22	SS 142014	Weight Knob 20"
12	SS 142815 SEAL	Base Plate Assembly 28"	23	SS 142814	Weight Knob 28"



Item No.	Part No.	Part Description
1	SS 01016Z	Motor Shaft Spacer
2	N/A *	Motor Shaft Crush Washer
3	N/A *	Isolator Nut
4	N/A *	Isolator
5	SS 01034Z	Aluminum Driver Plate
6	N/A *	Bearing Bolts
7	N/A *	Isolator Bolt
8	SS 01031Z	Motor Bolt
9	SS 142003V	Grip Face 20"
10	SS 142803V	Grip Face 28"
11	SS 01033Z	Lift Handle/Isolator Washer
12	SS 01031ZB*	Motor Shaft Bolt
13	SS P1420BLU	Transport/Storage Pad 20"
14	SS P1428BLU	Transport/Storage Pad 28"
15	N/A *	Eccentric Assembly 20"
16	N/A *	Eccentric Assembly 28"
17	SS 142031	Key

*Part only available in a kit.

Kits

SS 142015SEAL	Base Plate Assembly 20" (includes: 1, 2, 4, 5, 6, 7, 9, 11, 12, 15, anit-sieze, & 100% silicone)
SS 142815SEAL	Base Plate Assembly 28" (includes: 1, 2, 4, 5, 6, 7, 9, 11, 12, 16, anit-sieze, & 100% silicone)
SS 142001	Isolator Repair Kit 20" (includes: 2, 4, 6, 7, 9, 11, 12)
SS 142801	Isolator Repair Kit 28" (includes: 2, 4, 6, 7, 10, 11, 12)

Please provide machine serial number when ordering parts.

800-557-6822

WWW.SQUARESCRUB.COM

Transport of Machine

To transport this machine, the following procedure is advised:



- Unplug machine from power source.
- Always leave a pad on the machine to protect the grip face from damage in transport and storage.
- Wrap cord using cord wrap and handle.
- Raise handle adjustment lever and lock into the transport notch in an upright position.
- Tilt machine onto wheels and transport slowly.
- Square Scrub recommends that at least two persons lift when picking up the machine. With one user on each side of the machine, place one hand on machine axle and one hand around the front base of the machine.
- Lift machine, making sure to bend at the knees.
- Secure machine when transporting in a vehicle to prevent movement.



**Caution: This machine is very heavy. Get assistance when lifting.
Do not attempt to lift alone.**

Maintenance Schedule

Prior to using (daily)

- Check AC power cord. Do NOT operate equipment if AC power cord is cut, frayed or if ground is missing.
- Check vacuum hose and connections (if equipped).
- Check grip face and driver pad : inspect for wear/debris. Replace as needed.

After use (daily)

- Clean pad and base plate assembly : remove/replace pad as needed.
- Inspect grip face for wear. Remove debris between grip face and base plate.
- Wipe base plate and motor assembly with damp microfiber cloth.
- Make certain a pad is placed on grip face.

Weekly Preventative Maintenance

- Check grip face for wear.
- Use vacuum to clean away debris build-up around motor assembly, weights and base plate.

Annually

- Replace ALL isolators.

General Operating Instructions

Visit www.squarescrub.com for instructional videos and support documents.

1. Move machine to work location. Never operate, transport, or store the machine without a pad to protect the grip face.
2. Remove transport/storage pad and install new driver/backer pad.
3. **You must use a Blue Backer Pad or 1/4" White Driver Pad when using the SHO wet strip pad.**
4. For information on what pad to use for what application, go to www.squarescrub.com/floor_type.html
5. Go to www.squarescrub.com/floor_type.html for information on when to use white or blue driver pads.
6. Plug machine into grounded power outlet.
7. Stand behind the Square Scrub and place your hands on the padded grips.
8. Gently squeeze the coated metal handle underneath the hand grips to engage the motor. Depending on the pad configuration, the machine may initially pull in one direction. This is normal and you will be able to quickly steady the machine.
9. Begin moving forward in straight lines.
10. If the handle is too tall, disengage the handle lock mechanism and slide the handle toward you until you find a comfortable height. Lock the handle into that position either with your hand or press firmly with your foot.
11. Continue moving in straight lines, checking your pad every 15 to 30 minutes (depending on pad in use) to maintain optimum performance. When using a vac system, check frequently.
12. Always check and tighten weight knobs. **(Running machine with them loose can cause weight bolt to break.)**
13. If your machine has the **On Board Vac.** for dry stripping, **you must remove the three way plug before you use the machine in wet applications.**

Please provide machine serial number when ordering parts.

800-557-6822

WWW.SQUARESCRUB.COM

Troubleshooting

Problem	Cause	Action
Machine will not start	Not Connected to power source	Check power source connection and lighted plug
	Voltage too low	Have electrician check outlet
	Defective switch	Contact Square Scrub dealer
Runs erratically	Low voltage from excessive length or undersized extension cord.	Use 10-gauge extension cord no longer than 25'
	Defective start switch	Contact Square Scrub dealer
	Defective motor	Contact Square Scrub dealer
Fuses/Circuit Breaker Trips	Low voltage	Allow motor to cool. The circuit breaker is a red button on the side of the motor than will reset when pressed.
	Low input volts	Eliminate extension cord. Locate power cord closer to work site. Have voltage checked by electrician.
Machine pulls hard to one side Note: The rubber isolators on the EBG are considered wear items. It is recommended to replace the entire set of all four isolators once per year (or sooner under heavy use) to prevent failure and damage to the machine.	Worn Pad	Rotate pad 180° Flip pad over or replace
	Rubber isolators are worn out	Replace isolators
	Bent base plate	Replace base plate
Machine is noticeably louder than it was when originally purchased	Rubber isolators worn	Replace isolators
	Removable weights not secured	Tighten knobs on removable weights.

SQUARE SCRUB 3 YEAR LIMITED WARRANTY
On all machines built on or after November 1, 2014.

General

This Square Scrub EBG Series Floor Preparation Machine is warranted to be free from defects in materials and workmanship under normal use and service for a period of three years. This includes machine frame and base, as well as on all parts and labor when operated and maintained in accordance with Square Scrub Maintenance and Operating Instructions (see product exceptions & exclusions below). The warranty will commence on the purchase date by the original end user from an authorized Square Scrub agent, and is subject to proof of purchase. If proof of purchase cannot be provided, the warranty shall begin from the date of shipment to an authorized Square Scrub distributor. Parts replaced or repaired under warranty are guaranteed for the remainder of the original warranty period. The warranty period is subject to the conditions stated below.

Disqualifications

This warranty shall not apply to repairs resulting from accidents or misuse, damage in transit, overloading the capacity of the machine, damage resulting from lack of proper maintenance or care as described in the Maintenance Schedule and General Operating Instructions listed in the Owner's Manual. Minor adjustments, not related to the replacement of parts, are not covered. Repairs or alterations made by an organization other than the factory or an Authorized Service Center are not covered and will void warranty as it relates to the parts or systems repaired or altered by the non-authorized organization.

Product Exceptions & Exclusions

- Machine Cord
- Blue Driver Pad (shipped with machine)
- Grip Face
- Capacitor failure resulting from machine use in insufficient power settings
- Rubber Isolators
- Eccentric Assembly (includes bearing)

If a difficulty develops with the product, contact your local Square Scrub dealer or call Square Scrub at 800.557.6822. Only Square Scrub can authorize repairs under warranty. Square Scrub may elect to require the return of components to validate a claim. Any defective part to be returned must be shipped freight prepaid to an authorized Square Scrub Distributor/Service Center or to the Square Scrub factory. No travel coverage is extended on warranty repairs.

90 Day Warranty Extension Available

Upon receipt of the Machine Registration, Square Scrub will extend the warranty coverage period by 90 days, from the date of purchase, by the original end user. To qualify, machines must be registered within 30 days of warranty inception.

Square Scrub's liability under this warranty is limited to repair of the product and/or replacement of parts and is given to purchaser in lieu of all other remedies, including INCIDENTAL AND CONSEQUENTIAL DAMAGES. THERE ARE NO EXPRESS WARRANTIES OTHER THAN THOSE SPECIFIED HEREIN. THERE ARE NO WARRANTIES WHICH EXTEND BEYOND THE DESCRIPTION OF THE FACE HEREOF. NO WARRANTIES, INCLUDING BUT NOT LIMITED TO WARRANTY OF MERCHANTABILITY, SHALL BE IMPLIED.

Machine Serial #: _____

Date of Purchase: _____

Please provide machine serial number when ordering parts.

HEPA Dry Vack Kit Trouble Shooting Guide

For EBG-20/CV & EBG-28/CV models

- Always disconnect the power cord before servicing.
- Repairs should only be performed by an authorized service center.
- Always use HEPA Vac with dust skirt.
- HEPA filter, cloth bag, and microlined bag must be used at all times.
- Check HEPA filter, cloth bag, and microlined bag often for cleaning and replacement.
- Remove 3-way plug when using in a wet environment.
- Empty HEPA Vac before storing overnight.
- If HEPA Vac does not power up with machine, check the on/off switch at the base of the vacuum, and 3-way plug to ensure a good connection.

PROBLEM: Loss of suction.

CAUSE:

1. Cap is damaged.
2. Faulty vacuum motor.
3. Full paper filter bag.
4. Clogged hose or wand.
5. Loose or broken fan.

SOLUTION:

1. Inspect and replace if needed.
2. Call manufacturer or service center.
3. Replace paper filter bag.
4. Remove obstruction.
5. Contact manufacturer or service center.

PROBLEM: Motor is not running.

CAUSE:

1. Faulty ON/OFF switch.
2. Power cord defective
3. Loose connection or wiring.
4. Motor defective.
5. Blown fuse or tripped circuit breaker.

SOLUTION:

1. Contact manufacturer or service center.
2. Contact manufacturer or service center.
3. Contact manufacturer or service center.
4. Contact manufacturer or service center.
5. Replace fuse or reset circuit breaker.

PROBLEM: Dust blowing from vacuum when running.

CAUSE:

1. Full paper filter bag.
2. Paper filter bag not installed properly.
3. Cloth filter bag dirty.
4. Cloth or paper filter bag is torn.

SOLUTION:

1. Replace filter bag.
2. Reinstall or replace.
3. Clean cloth filter bag
4. Replace

WARRANTY: Lifetime on Body, 7-years on motor and electrical.

Return Material Authorization (RMA) Procedure

It is the responsibility of an Authorized Service Center or Distributor with written authorization to ensure the equipment is repaired as soon as possible. Only Square Scrub®, authorized dealers or service centers (with written authorization) may make repairs or replace parts on this machine. All others do so at their own risk and expense, and will void the Square Scrub® warranty. The authorized distributor or service center must contact Square Scrub® at 800-557-6822 and follow standard RMA procedures. Prior to working on the machine or changing out parts, Square Scrub® must be contacted and provided written authorization to approve labor, replacement parts, etc.

If the machine falls within the given warranty period, Distributor/Service Center will fill out an RMA/Warranty claim form. This form will serve as the repair order to replace defective parts and labor time approval.

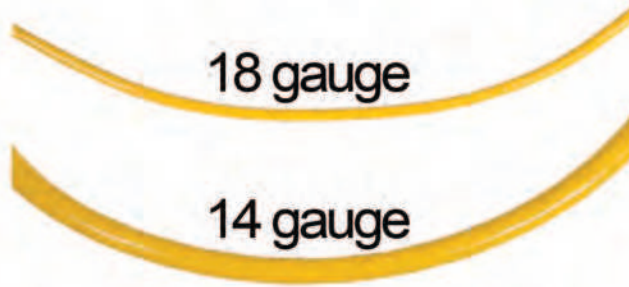
DO NOT send parts/machines back to Square Scrub® without an RMA sheet and approval.

All defective parts must be returned to Square Scrub® (unless advised otherwise by Square Scrub®) with a copy of the RMA form for evaluation at the customer's expense. All warranty claims are subject to review by Square Scrub® to determine if warranty will be approved. No labor or parts will be covered if not previously approved by Square Scrub®. Any credit for parts/labor will only be issued upon evaluation and approval from Square Scrub®.

When warranty is approved, the Distributors/Service Centers account will be credited for the replacement part/labor. Square Scrub® will ship the warranted replacement part(s) to the distributor. If warranty is denied, the Distributor's account will not be credited for any parts sent on the claim.

800-557-6822

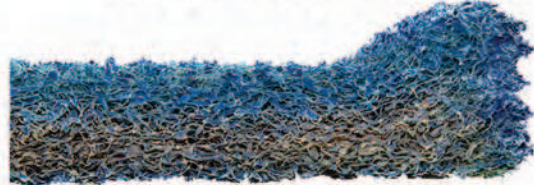
WWW.SQUARESCRUB.COM



POWER CORD

- DO NOT OPERATE EQUIPMENT IF AC POWER CORD IS CUT, FRAYED, OR GROUND IS MISSING.
- EXTENSION CORDS MUST BE 10 GAUGE, AND NO LONGER THAN 25' (ONLY USE WHEN NECESSARY).

Overused Blue Driver Pad



DRIVER PAD

- MAKE CERTAIN DRIVER PAD IS NOT WORN, AND IS CORRECTLY PLACED.
- INSPECT FOR WEAR/DEBRIS.
- CHECK EVERY 15-30 MINUTES TO MAINTAIN OPTIMAL PERFORMANCE.



EXCESSIVE NOISE

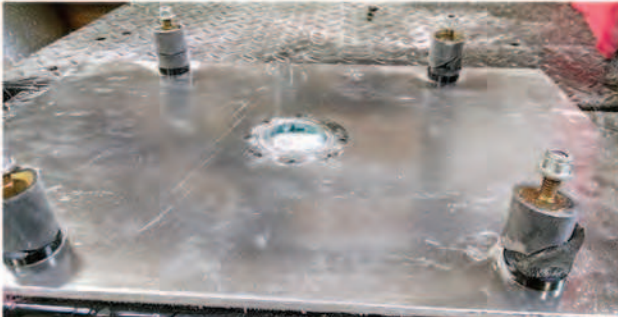
- CHECK THE FOLLOWING AREAS & PARTS:
 - SWITCH BOX COVER
 - WHEELS
 - TENSION HANDLE
 - WEIGHT KNOBS & BOLTS
 - ISOLATORS
 - ECCENTRIC ASSEMBLY
 - MOTOR



TROUBLESHOOTING

- MACHINE WILL NOT START
 - NOT CONNECTED TO POWER SOURCE
 - VOLTAGE TOO LOW
 - DEFECTIVE SWITCH
 - ECCENTRIC ASSEMBLY IS LOCKED UP.
- MACHINE RUNS ERRATICALLY
 - LOW VOLTAGE FROM EXCESSIVE LENGTH OR UNDERSIZED EXTENSION CORD.

& Troubleshooting



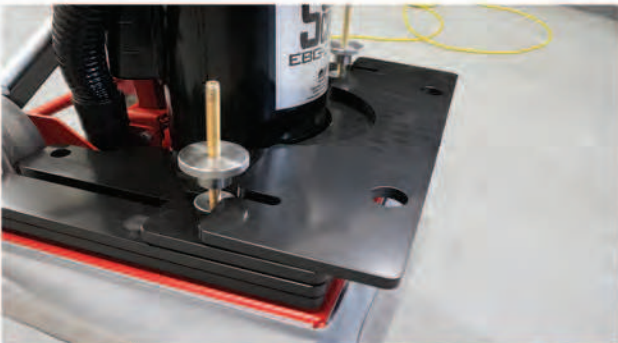
ISOLATORS

- REPLACE ANNUALLY
- ALSO REPLACE WHEN WORN
- VISUALLY INSPECT EVERY 30 - 40HRS OF USE, OR IF EXCESSIVE NOISE IS HEARD.



GRIP FACE

- INSPECT GRIP FACE FOR WEAR.
- REMOVE DEBRIS FROM GRIP FACE DAILY.
- STORE ON A DRY PAD TO PREVENT DAMAGE FROM CHEMICAL STRIPPER USE.
- NEVER OPERATE, TRANSPORT, OR STORE THE MACHINE WITHOUT A PAD TO PROTECT THE GRIP FACE.



TROUBLESHOOTING

- LOW INPUT VOLTS.
HAVE VOLTAGE CHECKED BY ELECTRICIAN.
- WORN PAD.
REPLACE THE PAD. NEVER USE A WORN PAD.
- RUBBER ISOLATORS WORN OUT.
REPLACE ISOLATORS
- REMOVABLE WEIGHTS NOT SECURED.
TIGHTEN KNOBS ON REMOVABLE WEIGHTS.
- MACHINE PULLS HARD TO ONE SIDE.
REPLACE RUBBER ISOLATORS.
ROTATE DRIVER PAD 180°.



MAINTENANCE

- CHECK HEPA VAC HOSE AND CONNECTIONS.
- REPLACE HEPA VAC BAGS REGULARLY.
- CLEAN AWAY DEBRIS BUILD-UP AROUND MOTOR ASSEMBLY, WEIGHTS, AND BASE PLATE.

For Customer Service call:

800-557-6822

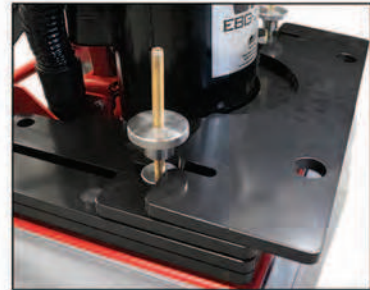
For literature & how-to videos visit:

WWW.SQUARESCRUB.COM

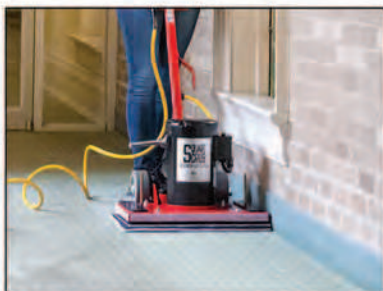
SQUARE SCRUB®

Versatility²

EBG SERIES SURFACE PREPARATION MACHINES



SCAN TO REGISTER
YOUR NEW MACHINE.



800-557-6822
WWW.SQUARESCRUB.COM