



## Electronic Service Manuals

This electronic document is provided as a service to our customers. We do not create the contents of the information contained in this document. Should you have detailed questions pertaining to the information contained in this document, you may contact Michco, or the manufacturer which provided the original information in this electronic deliverable. Michco's only part in this electronic deliverable was the electronic assembly process. By providing this manual on line we are not guaranteeing parts availability.

You may contact Michco through the following methods:

Phone (517) 484-9312 or (800) 331-3339

2011 N. High St. -- Lansing, Michigan -- 48906

Fax: (517) 484-9836

Email: [CustServe@Michco.com](mailto:CustServe@Michco.com)

Web site: [www.Michco.Com](http://www.Michco.Com)

Parts Web site: [www.FloorMachineParts.Com](http://www.FloorMachineParts.Com)

Order Parts on Line at:

**[www.FloorMachineParts.Com](http://www.FloorMachineParts.Com)**

Directly to Parts & Service:

By Email: **[Shop@Michco.com](mailto:Shop@Michco.com)**

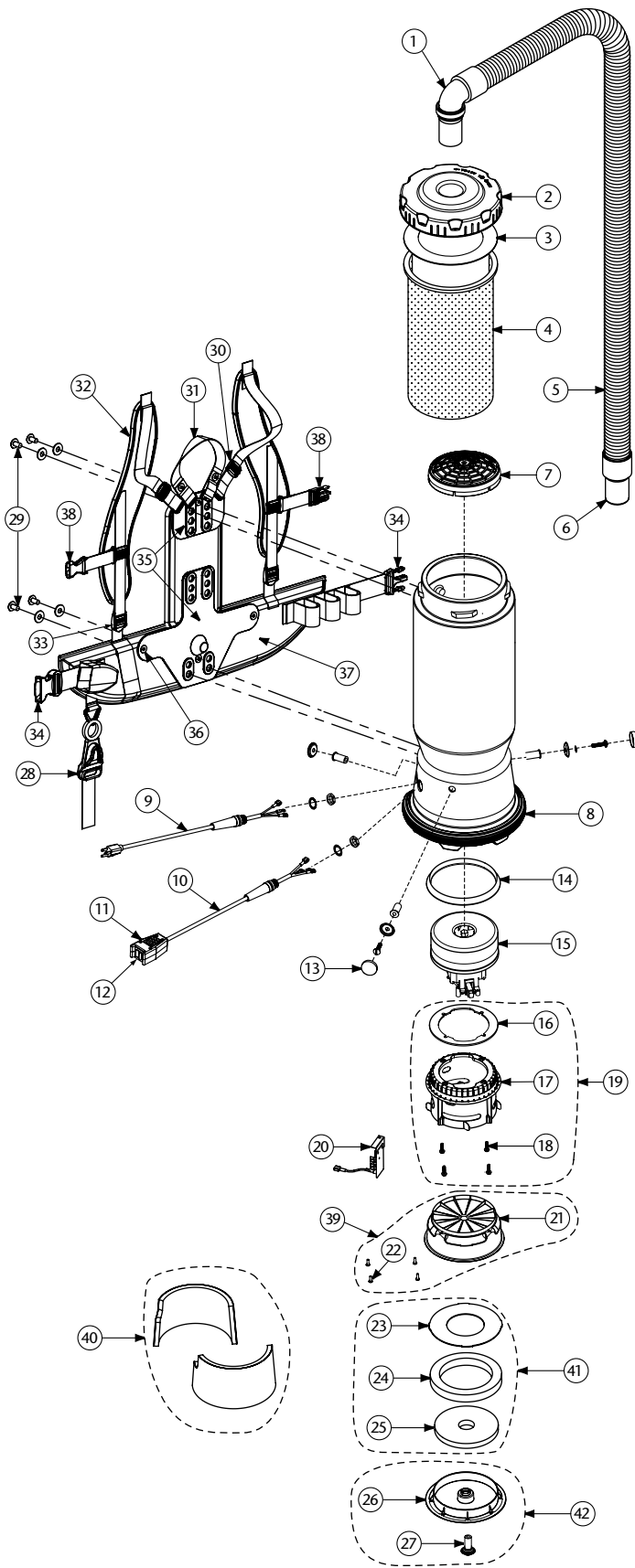
By Fax: (517) 702-2041

By Voice: Use numbers above.

**Serving the Cleaning Industry Since 1922**

Notice: All copyrighted material remains property of original owners, all trademarks are property of respective owners. Manuals are subject to Manufacturer's reproduction limitations. Originals or reproductions were provided by manufacturers through a request. We make no warranty as to the correctness of information provided in this document and you assume all risk. By placing these manuals on line we are not declaring our corporation to be an manufacturer authorized dealer or provider, please check our web site for authorized manufacturers we represent.

# QUIETPRO BP HEPA PARTS



No.	Product Name	Qty	List Price
1	101928 Elbow Cuff, Swivel	1 ea.	\$ 9.06
2	104273 Twist Cap (Black)	1 ea.	28.85
3	100431 Intercept Micro Filter	10/pk	15.60
4	100564 Micro Cloth Filter	1 ea.	24.45
5	103048 Static-Dissipating Hose (Black) w/Cuffs 1½"	1 ea.	24.93
6	100694 Replacement Swivel Cuff (Black) 1½"	1 ea.	5.39
7	106526 Replacement HEPA Dome Filter	1 ea.	11.54
8	100586 Bottom Bumper	1 ea.	7.22
9	100641 Power Cord Assembly Complete w/Strain Relief 1 set	1 set	19.03
10	105748 Switch Cord Assembly Complete F/QuietPro 1 set	1 set	36.91
11	106287 Switch Box w/Velcro and Screws	1 set	17.61
12	105973 On/Off Switch	1 ea.	19.45
	105438 On/Off Switch (older style) (Hi/Lo)	1 ea.	19.45
13	100368 Motor Mounting System Set: 3 Well Nuts, 3 Bolts, 3 Washers, 3 Covers	1 set	13.11
14	100014 Tetraseal, Motor	1 ea.	11.81
15	105722 Motor, (120V), 2 Stage (includes: #16)	1 ea.	103.43
	105697 Carbon Brush Set (Domel)	1 set	20.98
	100424 Carbon Brush Set (Ametek)	1 set	20.98
16	105605 Gasket, Motor	1 ea.	6.25
17	105149 Cap, Motor	1 ea.	17.61
18	100378 Screw, 10-32 x 3/4", Self Tapping	4/pk.	2.95
19	105619 Motor Mount Assembly (includes: #16, 17, 18)	1 set	32.37
20	105653 Dual Speed Module and Schematic with Thermal Protector	1 ea.	60.19
21	105150 Exhaust Housing, Motor	1 ea.	13.63
22	104419 Screw, #8 x 1/2", Phillips, Hi/Lo	1 ea.	.32
23	105337 Ring, Motor Housing, Large	1 ea.	13.91
24	105342 Foam, Ring, Motor Housing	1 ea.	17.03
25	105343 Foam, Cover, Motor Housing	1 ea.	11.93
26	105341 Cover, Motor Housing	1 ea.	11.63
27	105613 Motor Mount	1 ea.	6.81
28	102604 Cord Holder	1 ea.	8.77
29	100716 Backplate (Blk) Connection Set: 4 Screws w/Washers	1 set	13.11
30	100358 Shoulder Strap Plastic Adjustment (Top)	1 ea.	.99
31	101737 Carry Handle w/Rivet and Washer Set	1 set	8.54
32	100356 Shoulder Strap Assembly (includes: #30, 33, 38)	1 set	17.05
33	100357 Shoulder Strap Plastic Adjustment (Bottom)	1 ea.	.99
34	106719 Waist Belt Keeper and Latch	1 ea.	11.89
35	105046 Backplate (includes: #36)	1 set	26.24
	103166 Backplate System Complete (includes: #29, 31, 32, 35, 37)	1 set	65.58
	100354 Strap Assembly Complete (includes: #32, 37)	1 set	52.47
36	100375 Barrel Nut Connection Set for Backplate (Replacement)	1 set	5.90
37	100359 Waist Belt (includes: #34)	1 ea.	39.34
38	103627 Sternum Strap Buckles (Latch and Keeper)	1 set	2.10
39	105620 Kit, Housing, Exhaust, Motor F/QuietPro (includes: #21, 22)	1 set	32.37
40	105621 Kit, Foam, Acoustical Panels	1 set	41.45
41	105622 Kit, Exhaust, Foam and Ring (includes: #23, 24, 25)	1 set	36.34
42	105623 Kit, Cover, Exhaust F/QuietPro (includes: #26, 27)	1 set	17.03
	101678 50' Extension Cord (Not Shown)	1 ea.	32.60