



Electronic Service Manuals

This electronic document is provided as a service to our customers. We do not create the contents of the information contained in this document. Should you have detailed questions pertaining to the information contained in this document, you may contact Michco, or the manufacturer which provided the original information in this electronic deliverable. Michco's only part in this electronic deliverable was the electronic assembly process. By providing this manual on line we are not guaranteeing parts availability.

You may contact Michco through the following methods:

Phone (517) 484-9312 or (800) 331-3339

2011 N. High St. -- Lansing, Michigan -- 48906

Fax: (517) 484-9836

Email: CustServe@Michco.com

Web site: www.Michco.Com

Parts Web site: www.FloorMachineParts.Com

Order Parts on Line at:

www.FloorMachineParts.Com

Directly to Parts & Service:

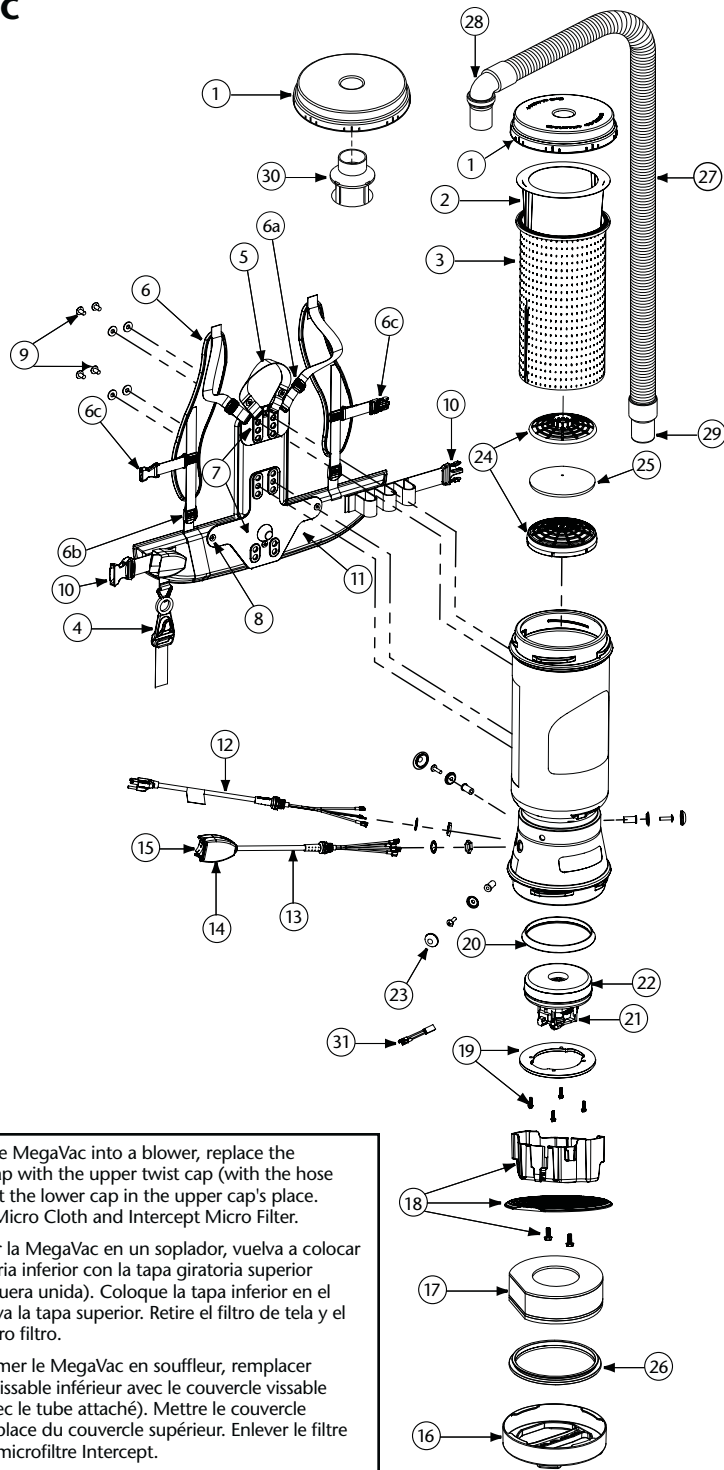
By Email: **Shop@Michco.com**

By Fax: (517) 702-2041

By Voice: Use numbers above.

Serving the Cleaning Industry Since 1922

Notice: All copyrighted material remains property of original owners, all trademarks are property of respective owners. Manuals are subject to Manufacturer's reproduction limitations. Originals or reproductions were provided by manufacturers through a request. We make no warranty as to the correctness of information provided in this document and you assume all risk. By placing these manuals on line we are not declaring our corporation to be an manufacturer authorized dealer or provider, please check our web site for authorized manufacturers we represent.



To convert the MegaVac into a blower, replace the lower twist cap with the upper twist cap (with the hose attached). Put the lower cap in the upper cap's place. Remove the Micro Cloth and Intercept Micro Filter.

Para convertir la MegaVac en un soplador, vuelva a colocar la tapa giratoria inferior con la tapa giratoria superior (con la manguera unida). Coloque la tapa inferior en el lugar donde va la tapa superior. Retire el filtro de tela y el Intercept Micro filtro.

Pour transformer le MegaVac en souffleur, remplacer le couvercle vissable inférieur avec le couvercle vissable supérieur (avec le tube attaché). Mettre le couvercle inférieur à la place du couvercle supérieur. Enlever le filtre en tissu et le microfiltre Intercept.

MEGAVAC ASSEMBLY

No.	Product Name	Qty
1	100320 Twist Cap (Black)	1 ea.
2	100331 Intercept Micro Filter	10/pk
3	100565 Micro Cloth Filter	1 ea.
4	102604 Cord Holder	1 ea.
5	101737 Carry Handle w/Rivet and Washer Set	1 set
6	100356 Shoulder Strap Assembly (includes: #6a, 6b, 6c)	1 set
6a	100358 Shoulder Strap Plastic Adjustment Buckle (Top)	1 ea.
6b	100357 Shoulder Strap Plastic Adjustment Buckle (Bottom)	1 ea.
6c	103627 Sternum Strap Buckles (Latch and Keeper)	1 set
7	105046 Backplate (includes: #8)	1 ea.
8	100375 Barrel Nut Connection Set for Backplate (Replacement)	1 set
9	100374 Backplate Connection Set: 4 Screws w/Washers, Stand Offs	1 set
10	106719 Waist Belt Keeper and Latch	1 ea.
11	100359 Waist Belt (includes: #10)	1 ea.
	100354 Strap Assembly Complete (includes: #6, 11)	1 set
	103166 Backplate System Complete (includes: #5, 6, 7, 9, 11)	1 set
12	100641 Power Cord (18" 14/3) Assembly	1 set
13	101610 Switch Cord Assembly (includes: #14,15)	1 set
	101714 Switch Cord w/Crimps	1 ea.
14	101472 Switch Box w/Velcro and New Lamb Switch	1 set
15	106066 On/Off Switch (must use with #106287)	1 ea.
	106287 Switch Box w/Velcro and Screws	1 ea.
16	105070 Bottom Twist Cap (Black)	1 ea.
17	100597 Sound Muffler	1 ea.
18	105044 Motor Shroud/Diffuser w/Screw Set: 2 Screws	1 set
19	100335 Motor Compression Ring w/Screws	1 set
	100378 Compression Ring Screw Set: 4 Screws	1 set
20	100014 Tetraseal	1 ea.
21	105164 Carbon Brush Set for MegaVac Motor (Domel Motor)	1 set
	101720 Carbon Brush Set for MegaVac Motor (Ametek Motor)	1 set
22	105162 Motor/Fan (120V) w/Crimps for MegaVac	1 set
	100379 Motor Ground and Wire Clamp Set w/Screws	1 set
	100380 Motor Crimp Set: 4 Female, 4 Male, Ground Crimp Connector	1 set
23	100368 Motor Mounting System Set: 3 Well Nuts, 3 Bolts, 3 Washers, 3 Covers	1 set
24	100030 Dome Filter w/Foam Media	1 ea.
25	100343 Foam Filter Media for Dome Filter	1 ea.
	101220 High Filtration Disk (optional)	2/pk
26	104998 Bottom Twist Cap Gasket	1 ea.
27	103048 Static-Dissipating Hose w/Cuffs (Black)	1 ea.
28	101928 Replacement Double Swivel Elbow Cuff (Black)	1 ea.
29	100694 Replacement Swivel Cuff (Black) 1 1/2"	1 ea.
30	101543 Filter Guard (Optional)	1 ea.
31	107294 Thermal Protector Replacement	1 ea.
	101678 50' Extension Cord (Not Shown)	1 ea.