



Electronic Service Manuals

This electronic document is provided as a service to our customers. We do not create the contents of the information contained in this document. Should you have detailed questions pertaining to the information contained in this document, you may contact Michco, or the manufacturer which provided the original information in this electronic deliverable. Michco's only part in this electronic deliverable was the electronic assembly process. By providing this manual on line we are not guaranteeing parts availability.

You may contact Michco through the following methods:

Phone (517) 484-9312 or (800) 331-3339

2011 N. High St. -- Lansing, Michigan -- 48906

Fax: (517) 484-9836

Email: CustServe@Michco.com

Web site: www.Michco.Com

Parts Web site: www.FloorMachineParts.Com

Order Parts on Line at:

www.FloorMachineParts.Com

Directly to Parts & Service:

By Email: **Shop@Michco.com**

By Fax: (517) 702-2041

By Voice: Use numbers above.

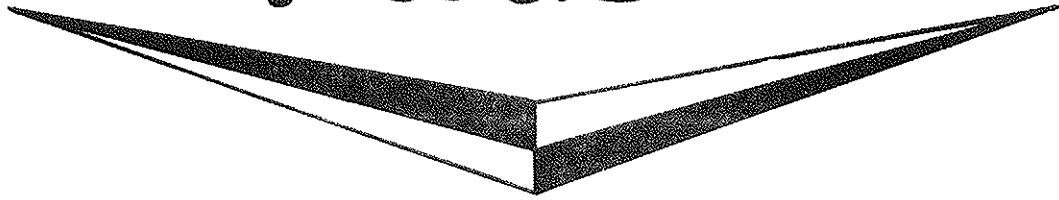
Serving the Cleaning Industry Since 1922

Notice: All copyrighted material remains property of original owners, all trademarks are property of respective owners. Manuals are subject to Manufacturer's reproduction limitations. Originals or reproductions were provided by manufacturers through a request. We make no warranty as to the correctness of information provided in this document and you assume all risk. By placing these manuals on line we are not declaring our corporation to be an manufacturer authorized dealer or provider, please check our web site for authorized manufacturers we represent.

OWNER'S GUIDE



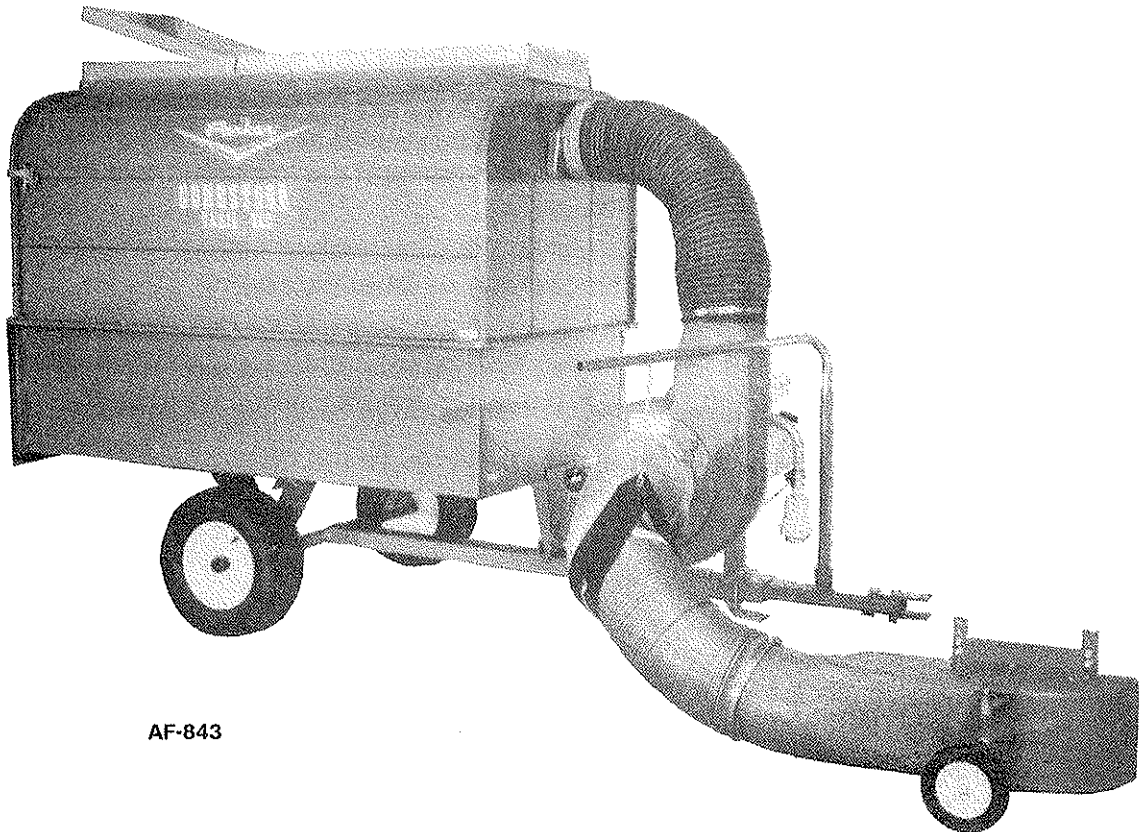
Parker®



CONESTOGA® TRAIL VAC

PATENT PENDING

CANOPY KIT FOR TV-8844



AF-843

**BE SAFE. PROTECT YOUR FAMILY, YOUR FRIENDS, YOURSELF.
OBSERVE ALL SAFETY INSTRUCTIONS.**

**READ THESE INSTRUCTIONS BEFORE SETTING UP
AND OPERATING MACHINE.**

PARKER SWEEPER COMPANY

Box 1728

Springfield, Ohio 45501-1728

Plate No. 1031 (Rev. 1-3-89)

88-19-A

TO THE OWNER

These instructions were written to assist you in the assembly and operation of the Conestoga Trail Vac. **READ THE INSTRUCTIONS** thoroughly **BEFORE** attempting to assemble and operate the machine so that you are familiar with the complete procedure and the safety precautions.

RULES FOR SAFE OPERATION



The following safety precautions are suggested to prevent damage to the equipment or injury to the operator or nearby persons.

1. Do not allow anyone to operate the Conestoga Trail Vac without proper instructions.
2. Stop the towing unit engine before reaching into the boot or mower deck to dislodge sticks or other debris.
3. Stop the engine before attempting to make any adjustment or performing any maintenance work on the Conestoga Trail Vac.
4. When working on the engine, always remove the spark plug wire from the engine and attach it to the V shaped clip on the engine head.
5. Do not run the engine in an enclosed area. Exhaust gases contain carbon monoxide, an odorless and deadly poison.
6. Do not fill the fuel tank while the engine is running. Spilling gasoline on a hot engine may cause a fire or an explosion.
7. While machine is running, do not leave it unattended.
8. Before using the machine to pick up debris, police the area to be cleaned first, picking up any large objects such as cans, toys, dog bones and chunks of wood. If these pass through the machine, they could damage the impeller, bend the engine crankshaft or put a hole in the hose.
9. Avoid using the machine in dangerous places where steep slopes or loose debris will endanger the safety of the operator or other people.
10. Keep all nuts, bolts and screws tight to be sure the Conestoga Trail Vac is in safe working condition.
11. Do not start or run engine unless hose is properly secured as injury may result.
12. Empty contents from cart and containers promptly. To not do so could cause spontaneous combustion.

IMPORTANT

ALWAYS GIVE THE FOLLOWING INFORMATION WHEN ORDERING REPAIR PARTS:

- | | |
|-------------------------------|-------------------------------------|
| 1. Part Number (Not Ref. No.) | 3. Description of Part |
| 2. Quantity Needed | 4. Model No. of Conestoga Trail Vac |
| | 5. Serial No. if available |

If unable to obtain parts locally, write down above information and send to:
PARKER SWEEPER CO., BOX 1728, SPRINGFIELD, OHIO 45501

Your unit is right hand (R.H.) or left hand (L.H.) as you stand behind it.

OBSERVE ALL SAFETY RULES. YOUR INJURIES MAYBE THE ONES YOU PREVENT.

CANOPY ASSEMBLY

TV-8844

YOUR SAFETY IS OUR CONCERN. READ ALL SAFETY RULES AND OPERATING INSTRUCTIONS BEFORE ATTEMPTING TO OPERATE THIS EQUIPMENT. FAILURE TO FOLLOW SAFETY RULES AND OPERATING INSTRUCTIONS MAY RESULT IN SERIOUS INJURY.

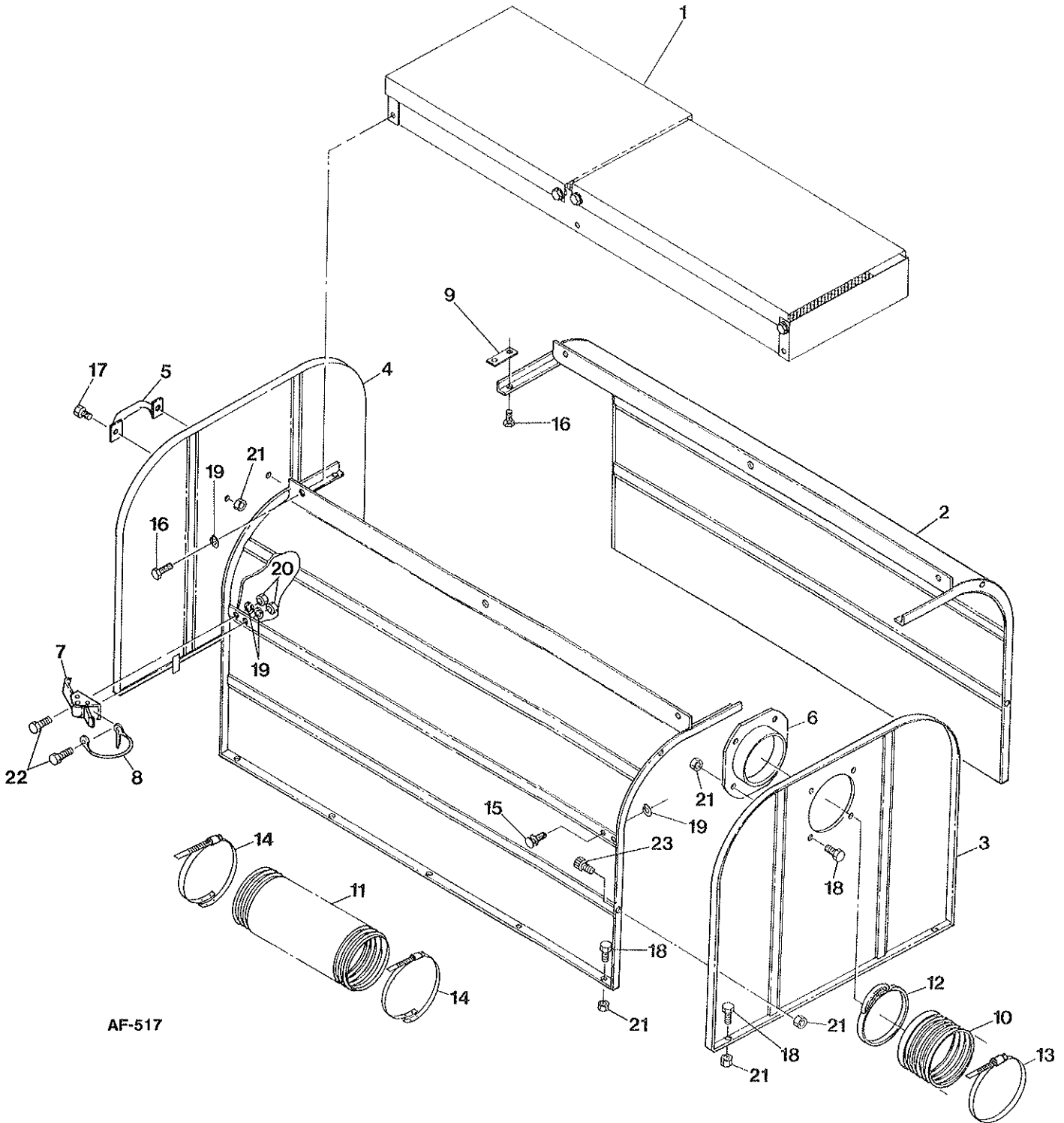
NOTE: When first assembling, all bolts should be installed finger tight. Final tightening instructions will follow.

1. Place the two Canopy Sides (2) parallel on the floor, facing each other and resting on the bottom flanges.
2. Secure top angles together with Spotweld Nut (9) and two Hex Head Bolts (16), at both ends.
3. At this point, either end of the Canopy may be considered, "front." Remove the four Plastic Fasteners (15) from the large Hardware Bag and insert them into the two holes, each side, at one end, as follows:
 - (a) Carefully bend the stem of the Plastic Fastener back and forth where it joins the sheath of the Fastener, but do not break it apart.
 - (b) Insert the Fastener through the hole in the Canopy rib from the outside, until the sheath of the Fastener stops against the side.
 - (c) Tap the Fastener head lightly with a hammer. The Fastener will break free of the sheath and continue in until the head seats. **NOTE:** This end is now the "Front" of the Canopy.
4. Remove Louver Assembly (1) from the carton.
5. Remove three 1/4-20 Hex Head Bolts (16) and Lockwasher (19) from each side of Louver Assembly (1), near the bottom of the Assembly.
6. Place Louver Assembly (1) on top of assembled Canopy, between top rails, with the movable Louver to the rear of the Canopy. **NOTE:** Front and rear of the Louver assembly must be fitted between the bolt that secures Spotweld Nut (9) in step 1 and the angle at the top of the Canopy assembly.
7. When properly fitted into the Canopy, the holes in the Louver Assembly will line up with those in the top rails of the Canopy. Secure with three 1/4-20 Hex Head Bolts (16) and Lockwashers (19) removed from each side of Louver Assembly (1) in step 5.
8. Assemble hose adaptor (6) to Canopy front assembly (3) using four Hex Head Bolts (18) and four Hex Lock Nuts (21).
9. Install Canopy front assembly (3) to Canopy using four socket head cap screws (23) and four hex lock nuts (21). **NOTE:** Screw (23) head must be next to Canopy with nut (21) against front.
10. Install two latches (7) to rear sides of Canopy using 4 round head screws (22), four split lockwashers (19) and four Hex nuts (20). **NOTE:** Ring on lock assembly (8) must be secured under the screw head toward the front of the Canopy.
11. Beginning with paragraph one, tighten all bolts and nuts and inspect to assure all assembly procedures are complete to this point.
12. With an able-bodied person to assist, lift the completed Canopy onto the top sides of the cart. **NOTE:** Carefully align bottom flange of Canopy and sides of cart.
13. Secure aligned canopy to cart with C-clamps or vise grips in at least four places.
14. **NOTE:** Canopy must be centered on side rails of cart body to assure cart rear gate can be removed.
CAUTION: The Canopy must be flush at the back, with the front of the Cart Rear Gate, to allow the Canopy Tail Gate (4) Tab to fit behind the Cart Rear Gate when the Canopy Tail Gate (4) is latched in place.
Drill 12 mounting holes in side rails of cart using 9/32 diameter drill through holes in bottom flange of Canopy.
15. Attach Canopy to cart using twelve Hex Head Bolts (18) and twelve Hex Lock Nuts (21).
16. Place bottom of Canopy tailgate on top of cart rear gate and against Canopy, with tabs of Canopy tailgate behind cart rear gate. Secure with latches on both sides of Canopy.
17. Slide cotter pins attached to latches through holes provided in latches to assure latches remain secured.

MAINTENANCE

1. **NOTE:** Periodic inspection of the Canopy should be made and all bolts should be routinely tightened to assure the Canopy remains structurally sound.
2. For a "like new" appearance, wash the Canopy and Blower Housing with soap and water, rinse with clear water and wipe dry. Do not use harsh abrasives or cleaners as they will dull the finish.
3. Periodically rotate Canopy Hose (10), to improve Hose life.

CANOPY PACKAGE



AF-517

CANOPY PACKAGE

PARTS LIST

Ref. No.	Part No.	Qty. Per Unit	Description
1	SA-1516-D	1	Louver Assembly
2	88-23-C	2	Canopy Side
3	84-89-C	1	Canopy Front Weldment
4	84-99-C	1	Tailgate Silkscreen
5	84-296-B	1	Handle
6	84-96-D	1	Hose Adaptor
7	84-245-A	2	Latch
8	85-82-A	2	Lock Assembly
9	88-06-A	2	Nut, Spotweld
10	84-345-B	1	8" Dia. Hose (Canopy)
11	84-130-B	1	8" Dia. Hose (Boot)
12	84-373-C	1	Clamp, Quick Release
13	84-152-C	1	Clamp
14	84-389-C	2	Hose Clamp (w/step)
15	86-110-A	4	Plastic Fastener

*Items listed below should be purchased through a local hardware store and MUST be of grade 5 quality.

**16	65-416-8	10	Bolt, Hex Hd. 1/4-20 x 1/2
*17	65-416-10	2	Bolt, Hex Hd. 1/4-20 x 5/8
*18	65-416-12	16	Bolt, Hex Hd. 1/4-20 x 3/4
**19	935-416	14	Lockwasher, Spring 1/4
*20	335-416	4	Nut, Plain Hex 1/4-20
*21	365-416	22	Nut, Hex Lock 1/4-20
*22	515-416-10	4	Screw, Rd. Hd. Mach. 1/4-20 x 5/8
*23	524-416-12	4	Screw, Socket Hd. Cap 1/4-20 x 3/4

**A quantity of six (6) of item 16 & 19 are supplied with item 1, Louver Assembly.

NOTE: Canopy Package also includes parts for the Power Package.

These parts are:

84-343-C	1	Arm
84-197-A	1	Eye Bolt
335-10	1	Nut, Hex Plain 10-24
365-10	1	Nut, Hex Lock 10-24

