



Electronic Service Manuals

This electronic document is provided as a service to our customers. We do not create the contents of the information contained in this document. Should you have detailed questions pertaining to the information contained in this document, you may contact Michco, or the manufacturer which provided the original information in this electronic deliverable. Michco's only part in this electronic deliverable was the electronic assembly process. By providing this manual on line we are not guaranteeing parts availability.

You may contact Michco through the following methods:

Phone (517) 484-9312 or (800) 331-3339

2011 N. High St. -- Lansing, Michigan -- 48906

Fax: (517) 484-9836

Email: CustServe@Michco.com

Web site: www.Michco.Com

Parts Web site: www.FloorMachineParts.Com

Order Parts on Line at:

www.FloorMachineParts.Com

Directly to Parts & Service:

By Email: **Shop@Michco.com**

By Fax: (517) 702-2041

By Voice: Use numbers above.

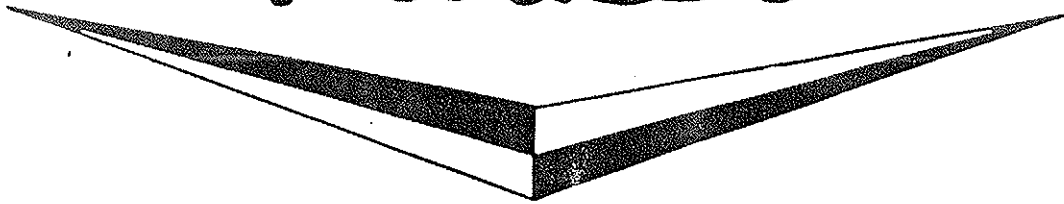
Serving the Cleaning Industry Since 1922

Notice: All copyrighted material remains property of original owners, all trademarks are property of respective owners. Manuals are subject to Manufacturer's reproduction limitations. Originals or reproductions were provided by manufacturers through a request. We make no warranty as to the correctness of information provided in this document and you assume all risk. By placing these manuals on line we are not declaring our corporation to be an manufacturer authorized dealer or provider, please check our web site for authorized manufacturers we represent.

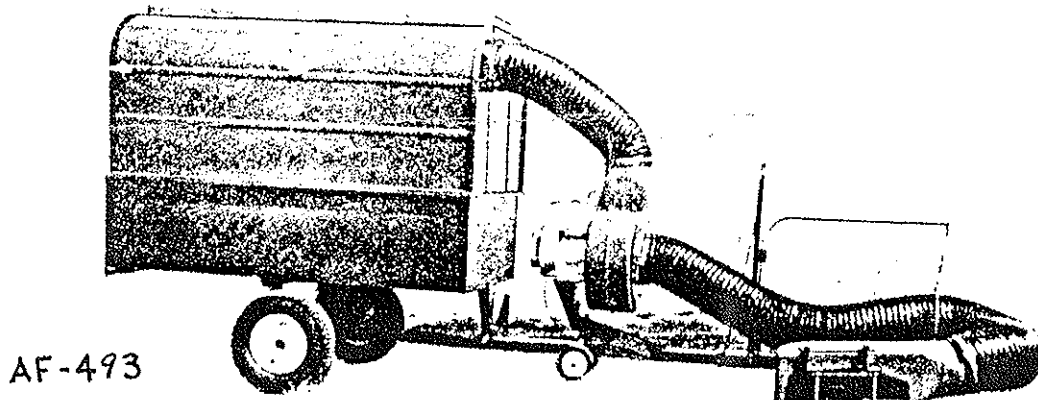
OWNER'S GUIDE



Parker™



44 CUBIC FOOT
TRAIL VAC
MODEL NO. TV-8444



**BE SAFE. PROTECT YOUR FAMILY, YOUR FRIENDS, YOURSELF.
OBSERVE ALL SAFETY INSTRUCTIONS.**

**READ THESE INSTRUCTIONS BEFORE SETTING UP
AND OPERATING MACHINE.**

PARKER SWEEPER COMPANY Box 1728 Springfield, Ohio 45501-1728

Plate No.

TO THE OWNER

These instructions were written to assist you in the assembly and operation of the Trail Vac. **READ THE INSTRUCTIONS** thoroughly **BEFORE** attempting to assemble and operate the machine so that you are familiar with the complete procedure and the safety precautions.

GENERAL INFORMATION

The Trail Vacs covered by this owner's guide are shipped in three (3) separate cartons, (a) cart (b) canopy (c) towbar extension. Follow all instructions on assembly carefully. Whenever a difference in instructions occurs, either a separate instruction or an "Explanation Note" will be given.

RULES FOR SAFE OPERATION



The following safety precautions are suggested to prevent damage to the equipment or injury to the operator or nearby persons.

1. Do not allow anyone to operate the Trail Vac without proper instructions.
2. Do not permit children to operate the Trail Vac.
3. Do not operate too close to fire. Ingesting hot ashes will ignite the contents.
4. Stop the towing unit engine before reaching into the boot or mower deck to dislodge sticks or other debris.
5. Stop the engine before attempting to make any adjustment or performing any maintenance work on the Trail Vac.
6. When working on the engine, always remove the spark plug wire from the engine and attach it to the V shaped clip on the engine head.
7. Do not run the engine in an enclosed area. Exhaust gases contain carbon monoxide, an odorless and deadly poison.
8. Do not fill the fuel tank while the engine is running. Spilling gasoline on a hot engine may cause a fire or an explosion.
9. While machine is running, do not leave it unattended.
10. Before using the machine to pick up debris, police the area to be cleaned first, picking up any large objects such as cans, toys, dog bones and chunks of wood. If these pass through the machine, they could damage the impeller, bend the engine crankshaft or put a hole in the hose.
11. Avoid using the machine in dangerous places where steep slopes or loose debris will endanger the safety of the operator or other people.
12. Keep all nuts, bolts and screws tight to be sure the Trail Vac is in safe working condition.
13. Follow the maintenance instructions as outlined in this manual.
14. Do not start or run engine unless hose is properly secured as injury may result.

IMPORTANT

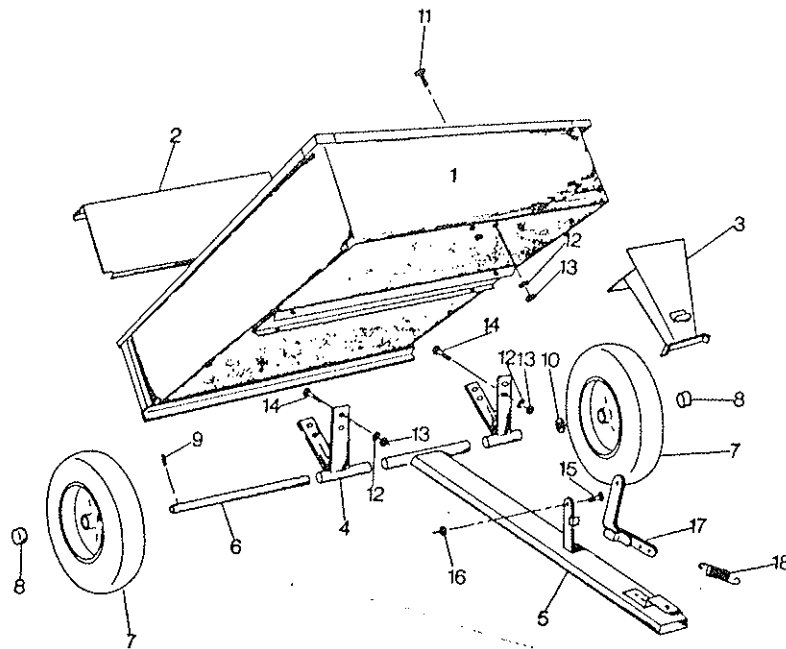
ALWAYS GIVE THE FOLLOWING INFORMATION WHEN ORDERING REPAIR PARTS:

- | | |
|-------------------------------|----------------------------|
| 1. Part Number (Not Ref. No.) | 3. Description of Part |
| 2. Quantity Needed | 4. Model No. of Trail Vac |
| | 5. Serial No. if available |

If unable to obtain parts locally, write down above information and send to:
PARKER SWEEPER CO., BOX 1728, SPRINGFIELD, OHIO 45501

Your unit is right hand (R.H.) or left hand (L.H.) as you stand behind it.

OBSERVE ALL SAFETY RULES. YOUR INJURIES MAYBE THE ONES YOU PREVENT.



AF-487

CART ASSEMBLY

1. After you have unpacked the carton, identify the following:

- | | | | |
|---|-----------------------------|----|-----------------------------------|
| 1 | Body | 10 | Flatwasher, Plain 1" (4) |
| 2 | Tail Gate | 11 | Screw, Truss Hd. 3/8-16 x 3/4 (3) |
| 3 | Drawbar Spacer | 12 | Lock Washer, Spring 3/8" (11) |
| 4 | Axle Holder (2) | 13 | Nut, Plain Hex 3/8-16 (11) |
| 5 | Tow Bar Kit | 14 | Bolt, Hex Hd. 3/8-16 x 3/4 (3) |
| 6 | Axle | 15 | Bolt, Hex. Hd. 1/4-20 x 3/4 |
| 7 | Wheel (2) | 16 | Nut, Hex Lock 1/4-20 |
| 8 | Hubcap (2) | 17 | Latch Arm |
| 9 | Cotter Pin 5/32 x 1 1/2 (2) | 18 | Spring |

2. Turn cart body (1) bottom side up.

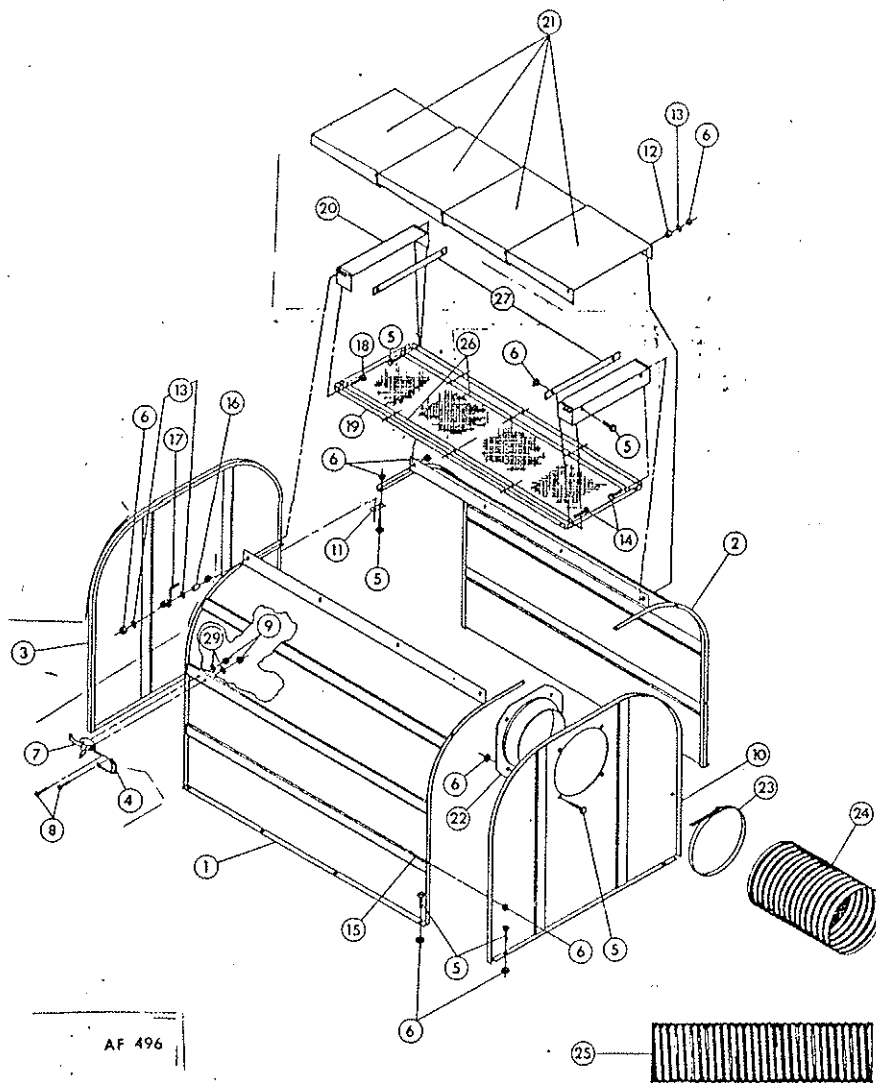
3. Assemble axle holders (4) to cart body (1) using Hex Head Bolts (14), Lockwashers (12), and Hex Nuts (13).

4. Using three holes near front of cart body (1) attach drawbar spacer (3) using Truss Head Screws (11), Lockwashers (12), and Hex Nuts (13).

5. Position towbar (5) between Axle Holders (4) making certain Latch (17) is toward the floor or top of cart. Slide Axle (6) through Axle Holders (4) and towbar (5).

6. Assemble wheel (7) on each end of axle (6) using flat washer (10) on each side of wheel (7) and secure with cotter pin (9).

7. Press hubcaps (8) on each end of axle (6) and turn cart over on its wheels. Insert Rear Gate (2).



CANOPY ASSEMBLY

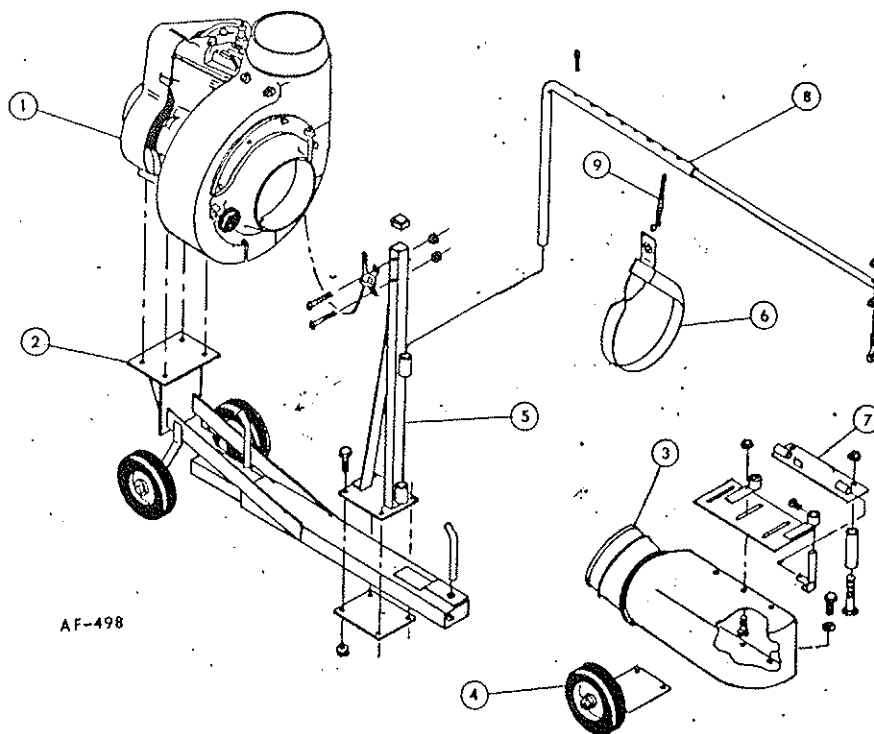
1. After you have unpacked the carton, identify the following:

- | | |
|--|---|
| 1. Canopy, Side R.H. | 15. Screw, Socket Hd. Cap 1/4-20 x 3/4 LG (4) |
| 2. Canopy, Side L.H. | 16. Spacer |
| 3. Tailgate | 17. Belt Popper |
| 4. Lock Assembly (2) | 18. Screw, Hex Hd. 1/4-20 x 1 1/4 LG |
| 5. Screw, Hex Hd. 1/4-20 x 3/4 LG. (25) | 19. Screen Assembly |
| 6. Nut, Hex Lock 1/4-20 (34) | 20. End Cap (2) |
| 7. Latch (2) | 21. Louver (4) |
| 8. Screw, Rd. Hd. Machine 1/4-20 x 3/4 LG. (4) | 22. Hose Adaptor |
| 9. Nut, Hex 1/4-20 (4) | 23. Clamp (4) |
| 10. Canopy, Front Assembly | 24. Hose 8" Diameter (Canopy) |
| 11. Link (2) | 25. Hose 8" Diameter (Boot) |
| 12. Spacer (6) | 26. Retainer Strip (2) |
| 13. Washer, Flat Thick 1/4 (8) | 27. Retainer Strip (2) |
| 14. Screw, Hex Hd. 1/4-20 x 1 LG. (8) | 28. Screw, Hex Hd. 1/4-20 x 5/8 LG |
| | 29. LOCKWASHER 1/4" (4) |

CA

NOTE: When finished should be installed tightening instructions

2. Start assembly (2) and right the floor and top with Lin (5) and Hex Lock Nuts (6) at both ends.
Note: From this point on, front and rear of the canopy are determined by the two holes on each side (1 and 2) on the rib near the end of the canopy. This end is the rear of the canopy. The opposite end is the front.
3. Install Screen Assembly (19) to canopy (1-2) using two Retaining Strips (26), 6 Hex Head Bolts (14), and Hex Lock Nuts (6). Omit four end bolts at this time.
4. Install end caps (20) between canopy (1-2) and screen (19) with retaining strips (26) on the inside. End caps should be flush with ends of canopy.
5. Assemble belt popper (17) to right rear with Hex Head Bolt (18) thru items (26), (19), (20), (1), spacer (16), washer (13), (17), (13) and secure with lock nut (6).
6. Secure left rear [end cap (20)] with Hex Head Bolt (5) and Hex Lock Nut (6).
7. Secure left and right side front [end cap (20)] with Hex Head Bolts (14) and Hex Lock Nuts (6).
8. Install retainer strips (27) front and rear using four Hex Head Bolts (5) and Hex Lock Nuts (6).
9. Assemble hose adaptor (22) to canopy, front assembly (10) using four Hex Head Bolts (5) and Hex Lock Nuts (6).
10. Install Canopy, front assembly (10) to canopy (1-2) using four socket head cap screws (15) and hex lock nuts (6). NOTE: Screw (15) head must be next to canopy with nut (6) against front.
7. (a) Canopy sides should now be aligned with special attention to matching the ends of the angles. Clamps or vice grips may be required to retain this alignment. (Reference paragraph 2) Securely tighten bolts thru both links (11).
7. (b) Hex Head Bolts (5) to Hex Head Bolts (5) and Hex Lock Nuts (6) to Hex Head Bolts (5) and Hex Lock Nuts (6). Slide spacers (13). Secure (6).
7. (c) Hex Head Bolts (5) to rear ends using 4 round head bolts (14), split lock (29) and nut, Hex (9). NOTE: Wire ring on lock assembly (4) must be secured under the screw head toward the front of the canopy.
13. Beginning with paragraph one, tighten all bolts and nuts and inspect to assure all assembly procedures are complete to this point.
14. With an able-bodied person to assist, lift the completed canopy onto the top sides of the cart. NOTE: Carefully align bottom flange of canopy with front and sides of cart.
15. Secure aligned canopy to cart with C-clamps or vice grips in at least four places.
16. Note: Canopy must be centered on side rails of cart body to assure cart rear gate can be removed. Drill 12 mounting holes in side rails of cart using 9/32 diameter drill thru holes in bottom flange of canopy.
17. Attach canopy to cart using 12 Hex Hd Bolts (5) and Hex Lock Nuts (6).
18. Place bottom of canopy tailgate on top of cart rear gate and against canopy. Secure with latches on both sides of canopy.
19. Slide cotter pins attached to latches thru holes provided in latches to assure latches remain secured.



AF-498

TOWBAR EXTENSION ASSEMBLY

After you have unpacked the carton, identify the following:

- | | |
|--------------------------------|------------------------------|
| 1. Engine and Housing Assembly | 5. Throttle Support Assembly |
| 2. Towbar Extension Assembly | 6. Chain Assembly |
| 3. Boot | 7. Hinge Assembly |
| 4. Boot Wheel Assembly | 8. Hose Support Arm Assembly |

NOTE: All mounting hardware is on the unit in its proper location.

1. Assemble engine and housing assembly (1) to towbar extension assembly (2) using Hex Head Bolts and Hex Lock Nuts provided.
2. Mount throttle support assembly (5) on towbar extension assembly (2) using existing hardware. Slide fully forward on towbar before tightening.
3. Attach throttle cable to throttle support assembly (5) using Round Head screws and Hex Lock Nuts supplied.
4. Slide hose support arm assembly (8) thru two bearing mounts on throttle support assembly. Note: Hose support arm should swing freely in bearing mounts.

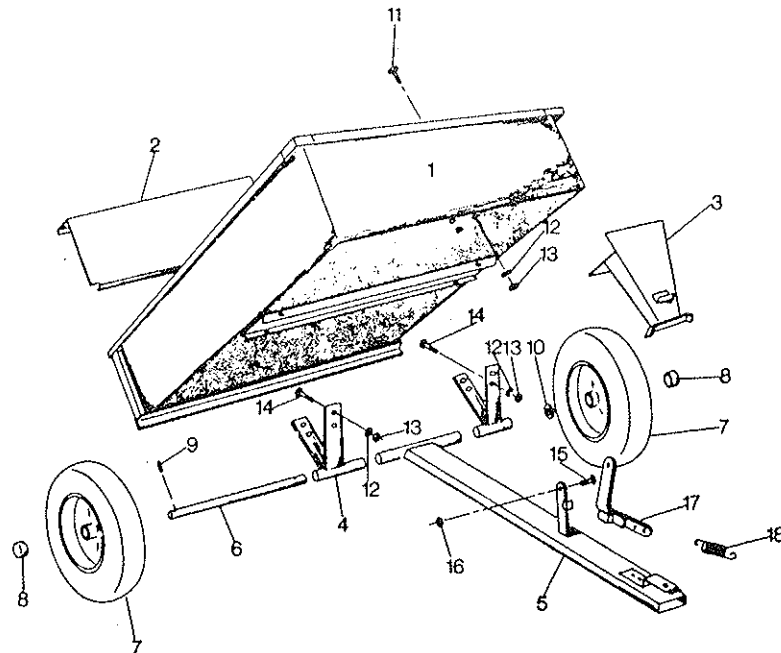
BOOT ASSEMBLY

Fitting boot to mower deck requires cutting opening in mating face of boot so it will fit close to the mower deck, and attaching required hardware.

- a. Make a template from the flap of the shipping carton and hold it against the mower deck discharge with the straight edge flush with the bottom of the deck and trace the outline of the discharge. Cut template out.
- b. On mating face of boot, draw a line parallel to the bottom of the boot, one inch above the bottom, and another line perpendicular one inch in from the front. Lay template bottom along bottom line drawn on boot with front corner against perpendicular line and trace outline on face of boot.
- c. Drill a 5/16 diameter hole at each bottom corner. Using a sabre saw, cut along outline.
- d. Attach boot wheel assembly (4) to bottom of boot (3) using Hex Head Bolts, flatwashers, and hex lock nuts provided.
- e. Assemble hinge assembly (7) to top of boot (3) using hex head bolts, flatwashers against inside of boot and on top of hinge assembly and hex lock nuts provided.
Note: Hinge assembly (7) should be slid as close to the boot as possible before tightening hardware.
- f. Remove nuts, bolts and spacers from extended portion of hinge assembly.
- g. Position boot (3) over mower discharge opening and mark location of outer most hinge bolt holes on mower deck.
Note: Mower discharge opening should extend into boot one inch if practical, or as close as possible without interfering with wheel, skids, etc. This may require sliding hinge assembly (see paragraph e) outward from boot.
- h. Drill two 5/16 diameter holes thru mower deck as marked in paragraph g.
- j. Mount hinge assembly as close to the top of the mower deck as possible with hardware removed in paragraph f.
Note: Use hacksaw to cut off spacers to fit between hinge assembly and mower deck. This may require spacers be cut at an angle to match deck contour.
- k. Attach hinge assembly to mower deck using full thread hex head bolts, spacers, and hex lock nuts provided.
- l. Excess bolt length should be cut off with hacksaw to permit minimum of two full threads and maximum of 1/4 inch to protrude thru hex lock nut.
- m. Boot may now be adjusted up and down and in and out with adjustments provided, to accommodate fit of boot to mower deck.
- n. Inspect all hardware of boot-to-deck attachment to assure they have been tightened securely.

FINAL ASSEMBLY

1. Remove two hitch pins taped to the rear of the towbar extension assembly.
2. Slide rear of towbar extension into the end of the towbar on the cart.
Note: An application of general use grease to these parts will make assembly easier and prevent rust that will hamper later disassembly.
3. With holes in towbar extension and cart towbar aligned, insert one hitch pin.
4. Place other hitch pin in front holes of towbar extension assembly for attachment to towing unit.
5. Refer to canopy assembly. Attach short hose (24) to canopy assembly and blower discharge. Secure both ends with clamps (23).
6. Refer to canopy assembly. Attach long hose (25) to front of housing on towbar extension assembly and boot assembly. Secure both ends with clamps (23).
7. Refer to towbar extension assembly. Place webbing of chain assembly (6) around hose, and grommeted end thru loop on opposite end, to form a sling around the hose. Note: Sling should be adjusted to support hose evenly in front of and behind the sling to prevent dragging or tire interference of hose.
8. Refer to towbar extension assembly. Attach "S" hook on the end of the chain, thru the grommet of the sling and attach chain to the hook on the end of the hose support arm assembly on the towbar extension. Note: Hose height may be adjusted by lengthening or shortening the chain at the hook on the hose support arm.
9. Hose support arm may be adjusted as required by removing cotter pin and sliding arm inward or outward.
Note: Cotter pin holes must align to insert cotter pin. End of cotter pin should be spread slightly to prevent loss.
10. If, after use, hose seems to be excessively long, excess may be cut off by cutting thru wire with bolt cutters or hacksaw. Cloth may be cut with knife.



AF-487

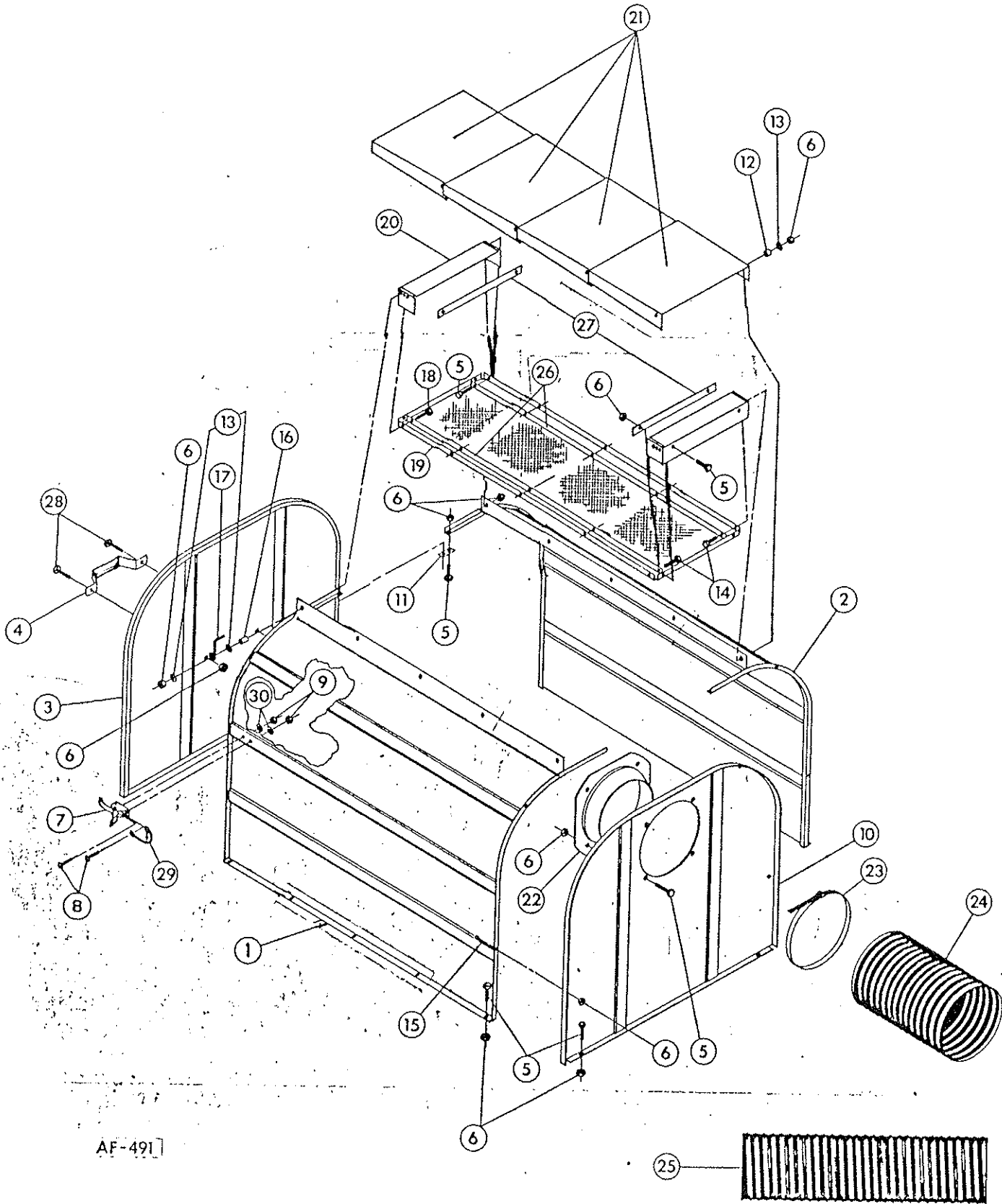
ASSEMBLY INSTRUCTIONS

1. Remove cart from carton and lay body (1) bottom side up.
2. Bolt axle holders (4) to the outside of the plate welded to the bottom of the cart using 3/8-16 x 3/4 hex head bolts. (DO NOT TIGHTEN BOLTS.) Extended tube to the outside.
3. Attach Tow Bar support (3) using 3/8-16 x 3/4 truss head screws.
4. Place Tow Bar (5) tongue forward, latch toward floor between axle holders and push axle (6) through, leave equal space on either side.
5. Place washer (10) wheel (7) washer (10) cotter pin (9) on axle in that order. (Valve on outside).
6. Tighten all bolts and turn cart right side up.
7. Insert tailgate in small channels provided. Cart is now ready for use.

PARTS LIST

Ref. No.	Part No.	Description	Quantity
1	C-3460-1	Body	1
2	C-3460-2	Tail Gate	1
3	C-3460-3	Drawbar Spacer	1
4	C-3460-4	Axle Holder	2
5	MA-537-C	Tow Bar Kit	1
6	C-3460-6	Axle	1
7	C-3460-7	Wheel	2
8	C-3460-8	Hubcap	2
9	380-532-24	Cotter Pin 5/32 x 1 1/2	2
10	945-1616	Flatwasher, Plain 1"	4
11	526-616-12	Screw, Truss Hd. 3/8-16 x 3/4	3
12	935-616	Lock Washer, Spring 3/8"	11
13	335-616	Nut, Plain Hex 3/8-16	11
14	65-616-12	Bolt, Hex Hd. 3/8-16 x 3/4	8
15	65-416-12	Bolt, Hex. Hd. 1/4-20 x 3/4	1
16	365-416	Nut, Hex Lock 1/4-20	1
17	C-3460-17	Latch Arm	1
18	C-3460-18	Spring	1

CANOPY ASSEMBLY



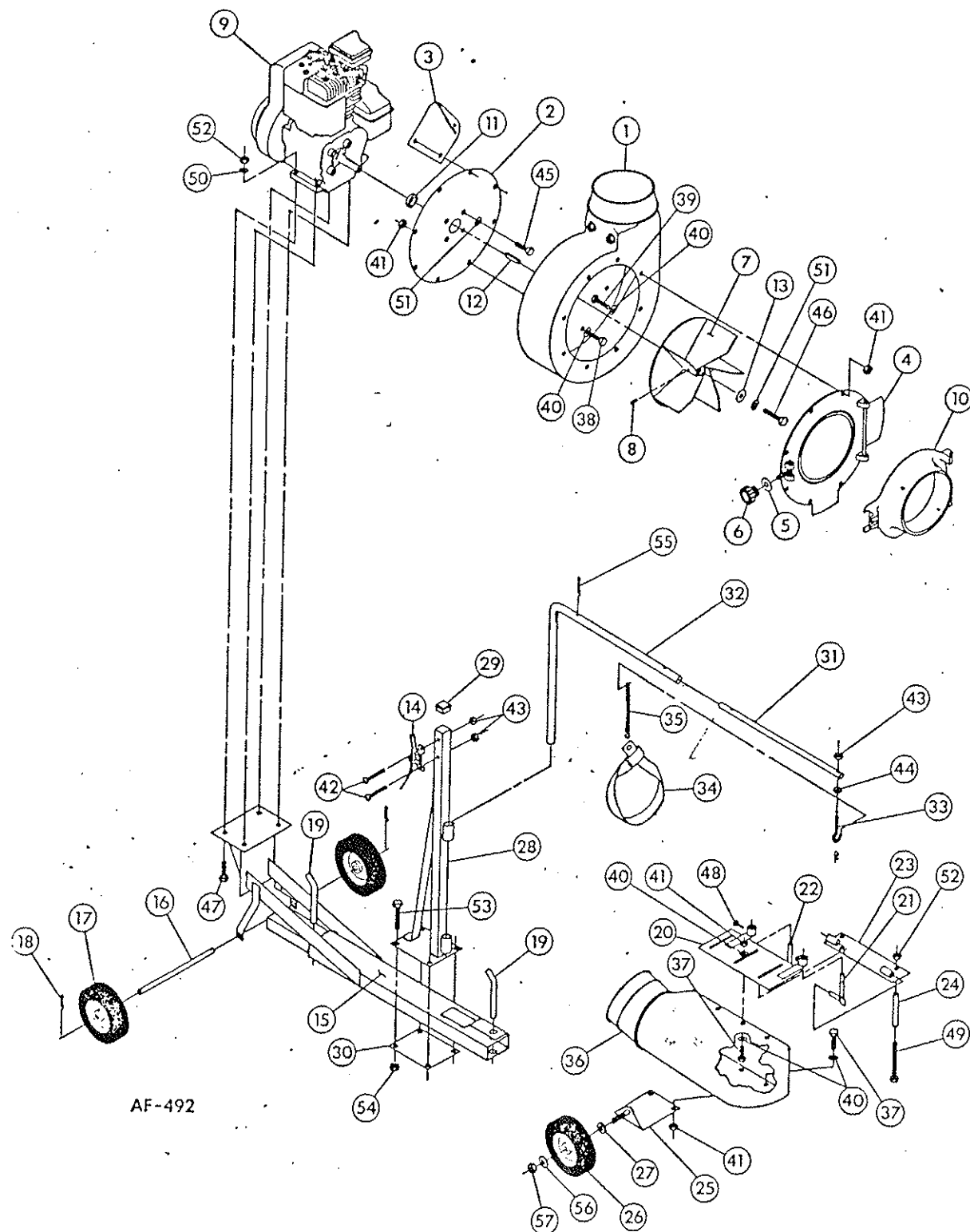
AF-491

CANOPY ASSEMBLY

PARTS LIST

<u>REF.</u> <u>NO.</u>	<u>PART</u> <u>NO.</u>	<u>QTY</u> <u>PER</u> <u>UNIT</u>	<u>DESCRIPTION</u>
1	84-215-C	1	Canopy Side Silkscreen R.H.
2	84-216-C	1	Canopy Side Silkscreen L.H.
3	84-217-C	1	Tailgate Silkscreen
4	84-125-B	1	Handle
5	65-416-12	25	Bolt, Hex Hd. 1/4-20 x 3/4
6	365-416	38	Nut, Hex Lock 1/4-20
7	84-227-A	2	Latch
8	515-416-12	4	Screw, Rd. Hd. Mach. 1/4-20 x 3/4
9	335-416	4	Nut, Plain Hex 1/4-20
10	84-91-C	1	Canopy Front Weldment
11	84-88-A	2	Link
12	81-45-A	8	Spacer
13	960-416	10	Flatwasher, Plain (Thick) 1/4
14	65-416-16	8	Bolt, Hex Hd. 1/4-20 x 1
15	524-416-12	4	Screw, Socket Hd. Cap 1/4-20 x 3/4
16	51-23-A	1	Spacer
17	70-71-A	1	Belt Popper
18	65-416-20	1	Bolt, Hex Hd. 1/4-20 x 1 1/4
19	84-127-C	1	Screen Assembly
20	84-128-C	2	End Cap
21	84-75-B	4	Louver
22	84-96-D	1	Hose Adaptor
23	84-152-C	4	Clamp
24	84-129-B	1	8" Dia. Hose (Canopy)
25	84-130-B	1	8" Dia. Hose (Boot)
26	84-82-B	2	Retainer Strip
27	84-84-B	2	Retainer Strip
28	65-416-10	2	Bolt, Hex Hd. 1/4-20 x 5/8
29	SA-1302-A	2	Lock Assembly
30	935-416	4	Lockwasher, Spring 1/4

TOW BAR EXTENSION



AF-492

TOW BAR EXTENSION

PARTS LIST

Ref. No.	Part No.	Qty. Per Unit	Description
1	SA-1304-C	1	Blower Housing and Liner Assembly
2	84-239-C	1	Back Plate and Gasket
3	84-183-C	1	Heat Shield
4	63-225-D	1	Front Cover Assembly
*5	945-816	1	Flatwasher, Plain 1/2
*6	80-29-A	1	Adjusting Knob
7	61-14-E	1	Fan Wheel
8	564-C-516-16	1	Screw, Allen Hd. Set 5/16-18 x 1
9	73-15-D	1	Engine
10	63-195-D	1	Collar
11	84-186-A	1	Spacer
12	61-65-A	1	Key, Engine
13	82-138-8-1	1	Special Washer
14	83-25-8-65	1	Throttle Control Assembly
15	84-29-0	1	Engine and Blower Attachment Weldment
16	84-22-B	1	Axle
17	82-109-8	2	Wheel
18	380-432-16	2	Cotter Pin
19	84-228-B	2	Hitch Pin
20	84-115-C	1	Boot Plate Weldment
21	84-107-A	1	Hinge, Rear (Weldment)
22	84-109-A	1	Hinge, Front (Weldment)
23	84-233-8	1	Plate, Deck (Weldment)
24	84-135-A	2	Spacer
25	84-231-C	1	Wheel Bracket Weldment
26	82-109-8	1	Wheel
27	77-81-A	1	Axle Spacer
28	84-174-D	1	Throttle Support Weldment
29	84-170-A	1	Square Plug
30	84-148-B	1	Plate
31	84-159-8	1	Hose Support
32	84-158-C	1	Arm
33	84-197-A	1	Eye Bolt
34	84-251-8	1	Sling
35	84-253-A	1	Chain Assembly
36	84-131-0	1	Boot
37	65-416-12	5	Bolt, Hex. Hd. 1/4-20 x 3/4
38	65-416-14	8	Bolt, Hex. Hd. 1/4-20 x 7/8
39	65-416-16	8	Bolt, Hex. Hd. 1/4-20 x 1
40	945-416	24	Flatwasher, Plain 1/4
41	365-416	21	Nut, Hex. Lock 1/4-20
42	515-10-24	2	Screw, Rd. Hd. Mach. 10-24 x 1 1/2
43	365-10	3	Nut, Hex. Lock 10-24
44	335-10	1	Nut, Plain Hex. 10-24
45	60-516-10	4	Bolt, Hex. Hd. 5/16-24 x 5/8
46	60-516-16	1	Bolt, Hex. Hd. 5/16-24 x 1
47	65-516-28	4	Bolt, Hex. Hd. 5/16-18 x 1 3/4
48	560-C-516-10	2	Screw, Sq. Hd. Set 5/16-18 x 5/8
49	72-516-72	2	Bolt, Hex. Hd. 5/16-18 x 4 1/2
50	945-516	4	Flatwasher, Plain 5/16
51	935-516	5	Lockwasher, Spring 5/16
52	365-516	6	Nut, Hex. Lock 5/16-18
53	65-616-48	4	Bolt, Hex. Hd. 3/8-16 x 3
54	365-616	4	Nut, Hex. Lock 3/8-16
55	380-432-24	1	Cotter Pin
56	945-816	1	Flatwasher, Plain 1/2
57	363-816	1	Nut, Hex. Lock 1/2-20

*Supplied with item 4, Front Cover Assembly, but can be purchased separately.

Order all parts from your nearest PARKER PARTS DISTRIBUTORS. If unable to locate the part from your Parts Distributor, forward your order to PARKER SWEEPER COMPANY for a quote.

Hart-Greer, Inc. 900 N. 24th St. BIRMINGHAM, AL 35203	Hance Distributors 420 Excelsior Ave., W. HOPKINS, MN 55343	Fidelity Sales Corp. 6331 Baum Dr. KNOXVILLE, TN 37919
Lawn & Garden Supply Co. 2222 N. 27th Ave. PHOENIX, AZ 85017	Gunthers Service & Supply 7320 Wornall Rd. KANSAS CITY, MO 64114	Fidelity Sales Corp. 447 E. Market St. KINGSPORT, TN 37662
H. V. Carter Company 1700 E. 14th St. OAKLAND, CA 94606	Henzler, Inc. 2015 Lemay Ferry Rd. ST. LOUIS, MO 63125	Fidelity Sales Corp. 6044 Lee Highway CHATTANOOGA, TN 37421
Tarzana Mower & Engine Parts, Inc. 6075 Reseda Blvd. RESEDA, CA 91335	Port Huron Machinery & Supply 801 Q St. LINCOLN, NE 68508	Goldthwaite's of Dallas, Inc. 2700 Forest Ln., Box 34860 DALLAS, TX 75234
Colorado Outdoor Equip., Inc. 527 W. Evans DENVER, CO 80223	George Smith & Sons, Inc. 322 Broadway BETHPAGE, L.I., NY 11714	Goldthwaite's of Ft. Worth 1401 Foch St. FT. WORTH, TX 76107
Roberts Supply, Inc. 2698 S. Orange Blossom Trail ORLANDO, FL 32805	Grasslands Equip. & Irrigation 892 Troy Schenectady Rd. LATHAM, NY 12110	Goldthwaite's of Houston, Inc. 220 Farris HOUSTON, TX 77025
Lawn & Turf, Inc. 2570 Old Covington Hwy. CONYERS, GA 30207	Henry W. O'Neill & Associates, Inc. 410 N. Goodman St. ROCHESTER, NY 14609	Goldthwaite's of Texas, Inc. 10751 Sentinel SAN ANTONIO, TX 78217
Small Engine Clinic, Inc. 98019 Kam Hwy. HONOLULU, HAWAII 96701	The Messenger Company, Inc. 374 Avery St. ROCHESTER, NY 14606	Boyd Martin Company 1260 N. W. Temple SALT LAKE CITY, UT 84116
Tyner Distributing, Inc. 5437 Kendall St. BOISE, ID 83706	Smith Hardware Co. 515 N. George St. GOLDSBORO, NC 27530	Wetsel Seed Co. 941 N. Liberty HARRISONBURG, VA 22801
Plante's Lawn Equipment, Inc. 4 Grant St. NORTH AURORA, IL 60542	Hayward Distributing Co. 460 Neilston St. COLUMBUS, OH 43215	The Bentley Company 4126 Airport Way, S. SEATTLE, WA 98108
Davis Turf Products, Inc. 435 S. Wheeling Rd. WHEELING, IL 60090	Schroeder Sales & Service, Inc. 1144 Harrison Ave. HARRISON, OH 45030	Northwest Mower, Inc. 926 N. 165th St. SEATTLE, WA 98133
T. E. Booher & Sons 1009 W. State St. ALBANY, IN 47320	PARKER SWEEPER COMPANY P.O. Box 1728 SPRINGFIELD, OH 45501 Phone: 513-323-4901	Interstate Radiator & Lawn Mower Co. 1611 4th Ave. CHARLESTON, WV 25312
The Harnack Co. 728 Commercial St. WATERLOO, IOWA 50701	Wait Sales Company 406-10 S. Peoria, Box 1015 TULSA, OK 74120	Reinders Brothers, Inc. 13400 Watertown Plank Rd. ELM GROVE, WI 53122
Mid-East Power Equip. Co., Inc. 185 Lisle Rd. LEXINGTON, KY 40586	Baltz & Son Co. 9817 E. Burnside PORTLAND, OR 97216	R. L. Gould 344 Berger St. GREEN BAY, WI 54302
Morton B. Collins 300 Birnie Ave. SPRINGFIELD, MA 01106	Monroe Machinery & Supplies, Inc. 1421 S. E. Gidson St. PORTLAND, OR 97242	Van's Supply & Equip. Co., Inc. 2640 S. Ashland Ave. GREEN BAY, WI 54303
Frost Company 483 Wildwood St. WOBURN, MA 01801	Lawn & Golf Supply Co. 647 Nutt Rd. PHOENIXVILLE, PA 19460	Powertek Equipment 9766 51 Avenue EDMONTON, ALBERTA, CANADA T6E 0A6
Frederick Trading Co. 7901 Trading Lane-Box 400 FREDERICK, MD 21701	Gardenville Supply Co., Inc. Route 611 PIPERSVILLE, PA 18947	Shepherd Bros. Equip., Ltd. 19575 North 10 Highway LANGLEY, B.C., CANADA V3A 4R8
Adams Equipment, Inc. 8001 Newell St. SILVER SPRINGS, MD 20910	Bluemont Co. 11125 Frankstown Rd. PITTSBURGH, PA 15235	Fallis Turf Equip., Ltd. 11951 Forge Place RICHMOND, B.C., CANADA V7A 4V9
Power Equipment Distributors, Inc. 340 N. Hubbard MT CLEMENS, MI 48043	Niemeyer Corp. 1135 Phoenixville Pike, Box 1477 WEST CHESTER, PA 19360	G. C. Duke Lawn Equipment 1184 Plains Rd., East BURLINGTON, ONTARIO, CANADA L7S 1W6