



Electronic Service Manuals

This electronic document is provided as a service to our customers. We do not create the contents of the information contained in this document. Should you have detailed questions pertaining to the information contained in this document, you may contact Michco, or the manufacturer which provided the original information in this electronic deliverable. Michco's only part in this electronic deliverable was the electronic assembly process. By providing this manual on line we are not guaranteeing parts availability.

You may contact Michco through the following methods:

Phone (517) 484-9312 or (800) 331-3339

2011 N. High St. -- Lansing, Michigan -- 48906

Fax: (517) 484-9836

Email: CustServe@Michco.com

Web site: www.Michco.Com

Parts Web site: www.FloorMachineParts.Com

Order Parts on Line at:

www.FloorMachineParts.Com

Directly to Parts & Service:

By Email: **Shop@Michco.com**

By Fax: (517) 702-2041

By Voice: Use numbers above.

Serving the Cleaning Industry Since 1922

Notice: All copyrighted material remains property of original owners, all trademarks are property of respective owners. Manuals are subject to Manufacturer's reproduction limitations. Originals or reproductions were provided by manufacturers through a request. We make no warranty as to the correctness of information provided in this document and you assume all risk. By placing these manuals on line we are not declaring our corporation to be an manufacturer authorized dealer or provider, please check our web site for authorized manufacturers we represent.

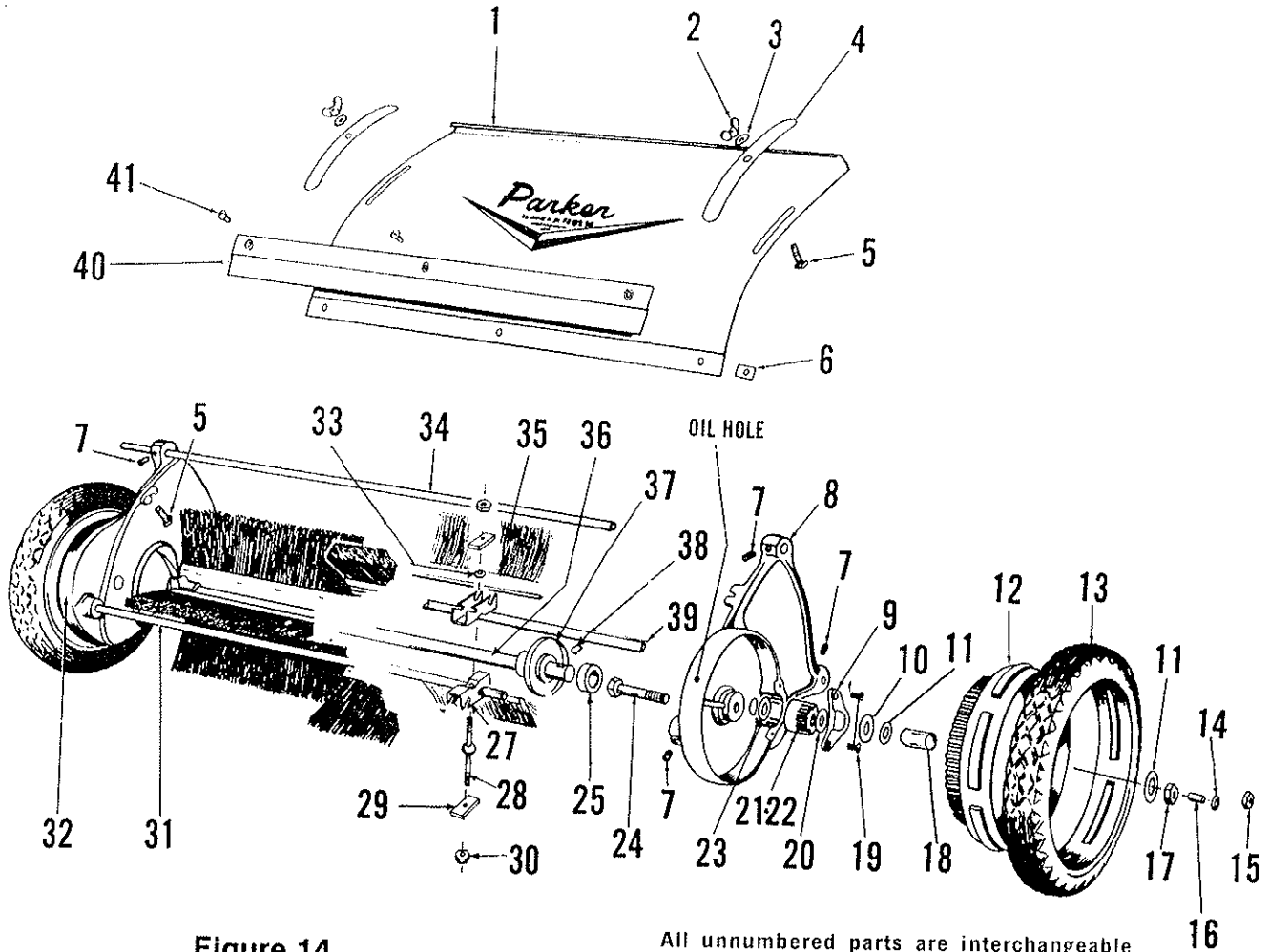


Figure 14

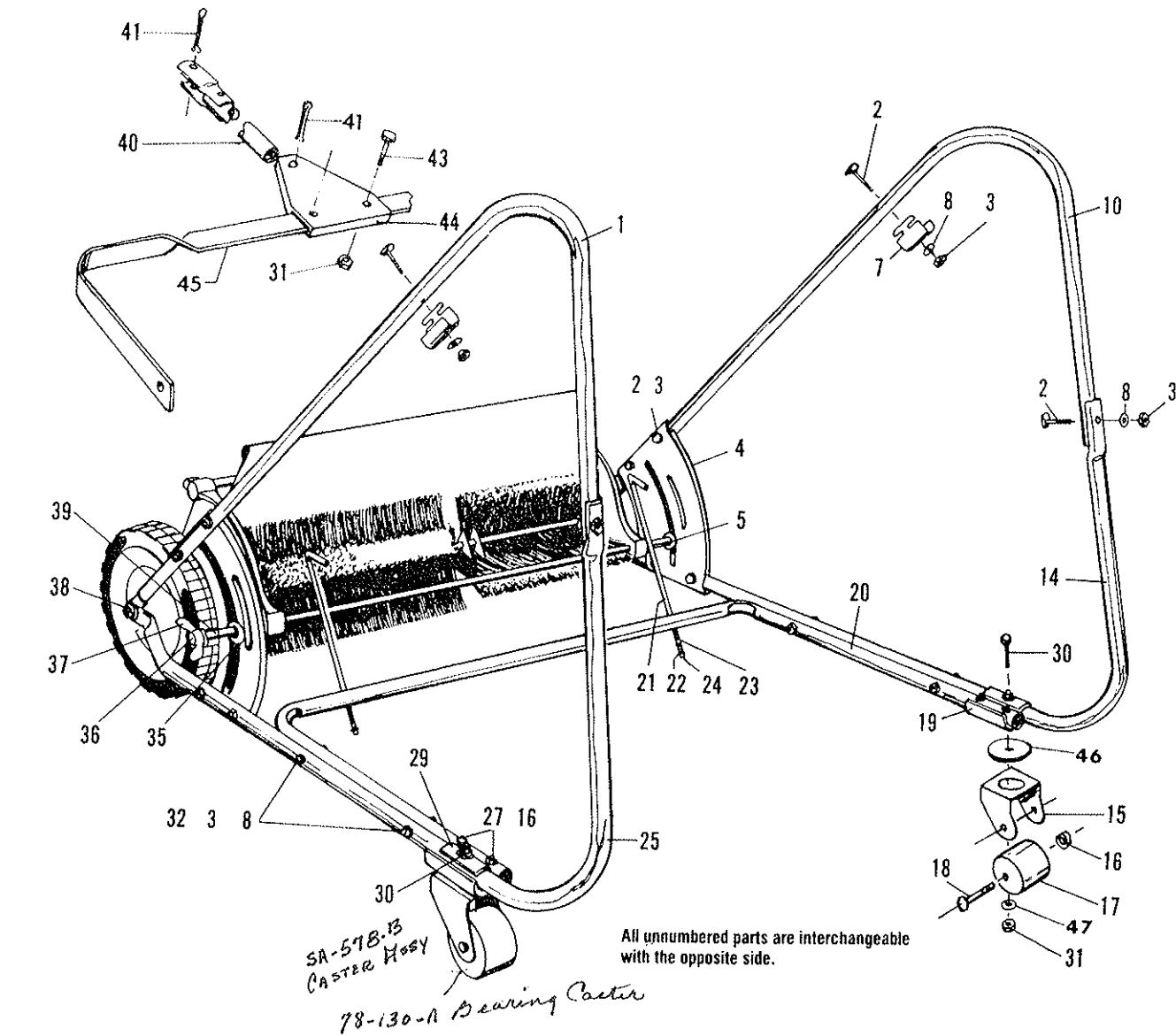
All unnumbered parts are interchangeable with the opposite side.

PARTS LIST

Ref. No.	Part No.	Qty. Per Unit	Description of Part	Ref. No.	Part No.	Qty. Per Unit	Description of Part
1	68-58 90-03-D	1	Hood	22	45-18 *	1	Right Hand Pinion
2	351-516-20	2	Wing Nut $\frac{5}{16}$ -18	23	50-33-A	2	Special Washer
3	945-516	3	Plain Washer $\frac{5}{16}$ "	24	53-35-A	2	Axle
4	49-11-A	2	Hood Clamp	25	68-60-A	2	Ball Bearing
5	65-516-12	2	Hexagon Cap Screw $\frac{5}{16}$ -18 x $\frac{3}{4}$	27	74-13-C	8	Brush Bracket
6	346-10	5	Speed Nut #10-24	28	74-16-A	4	Brush Stud
7	560-C-516-10	6	Set Screw $\frac{5}{16}$ -18 x $\frac{5}{8}$	29	69-04-A	8	Brush Clamp
8	76-339-LF	1	Left Hand Side Plate	30	362-416	8	Hexagon Lock Nut $\frac{1}{4}$ -20
9	59-94	2	Pinion Cover	31	68-33-A	1	Front Tie Rod
10	946-816-16	2	Fiber Washer	32	76-338-RF	1	Right Hand Side Plate
11	58-05-A	4	Special Washer	33	75-89-A	4	Retainer
12	58-14-D-1	2	Wheel	34	68-34-A	1	Top Tie Rod
13	75-88-C	2	Tire	35	1200-17-B	8	Brush Strip
14	945-816	2	Plain Washer $\frac{1}{2}$ "	36	75-151	1	Reel Shaft
15	368-816	2	Hexagon Jam Nut $\frac{1}{2}$ -20	37	74-166-B	2	Dust Cover
16	68-44-A	2	Axle Spacer	38	45-25 *	2	Pawl
17	363-816	2	Hexagon Lock Nut $\frac{1}{2}$ -20	39	76-341-A	1	Adjusting Tube
18	58-06-A	2	Sleeve	40	68-37 90-29	1	Hood Extension
19	505-416-10	4	Flat Head Screw $\frac{1}{4}$ -20 x $\frac{1}{2}$	41	515-10-8	5	Round Head Machine Screw #10-24 x $\frac{1}{2}$
20	946-1016-16	2	Fiber Washer				
21	45-19 *	1	Left Hand Pinion				
	* PINION KIT SA-1583-B	1	Contains # 21, 22 + 38				

REPAIR PARTS

FRAME ASSEMBLY



PARTS LIST

REF. PART NO.	QTY. PER UNIT	DESCRIPTION	REF. PART NO.	QTY. PER UNIT	DESCRIPTION
1	1	Upper Frame LH	24	2	Retainer
2	12	Contour Head Bolt 1/4-20 x 1 1/4	25	1	Lower Frame LH
3	16	Hex Nut 1/4-20	27	4	Hex Cap screw 1/4-20 x 1 1/4
4	2	Brush Adjusting Bracket	29	2	Tube Clamp
5	1	Plain Washer 3/8	30	2	Hex Cap Screw 5/16-18 x 2
7	2	Pivot Bracket	31	4	Hex Lock Nut 5/16-18
8	16	Spring Lock Washer 1/4	32	4	Contour Head Bolt 1/4-20 x 1 3/4
10	1	Upper Frame RH	35	3	Plain Washer 5/16
14	1	Lower Frame RH	36	1	Adjusting Bolt
15	2	Caster Fork	37	1	Wing Nut 5/16-18
16	6	Hex Lock Nut 1/4-20	38	2	Hex Jam Nut 1/2-20
17	2	Caster Roller	39	1	Spacer
18	2	Axle	40	1	Tongue
19	2	Caster Plate	41	2	Hitch Pin
20	1	Frame Support	43	2	Hexagon Cap Screw 5/16-18 x 1
21	2	Basket Stop	44	1	Hitch Plate
22	2	Plain Washer 1/4	45	1	Yoke
23	2	Compression Spring	46	2	Bearing
			47	2	Washer 82-138-B-1

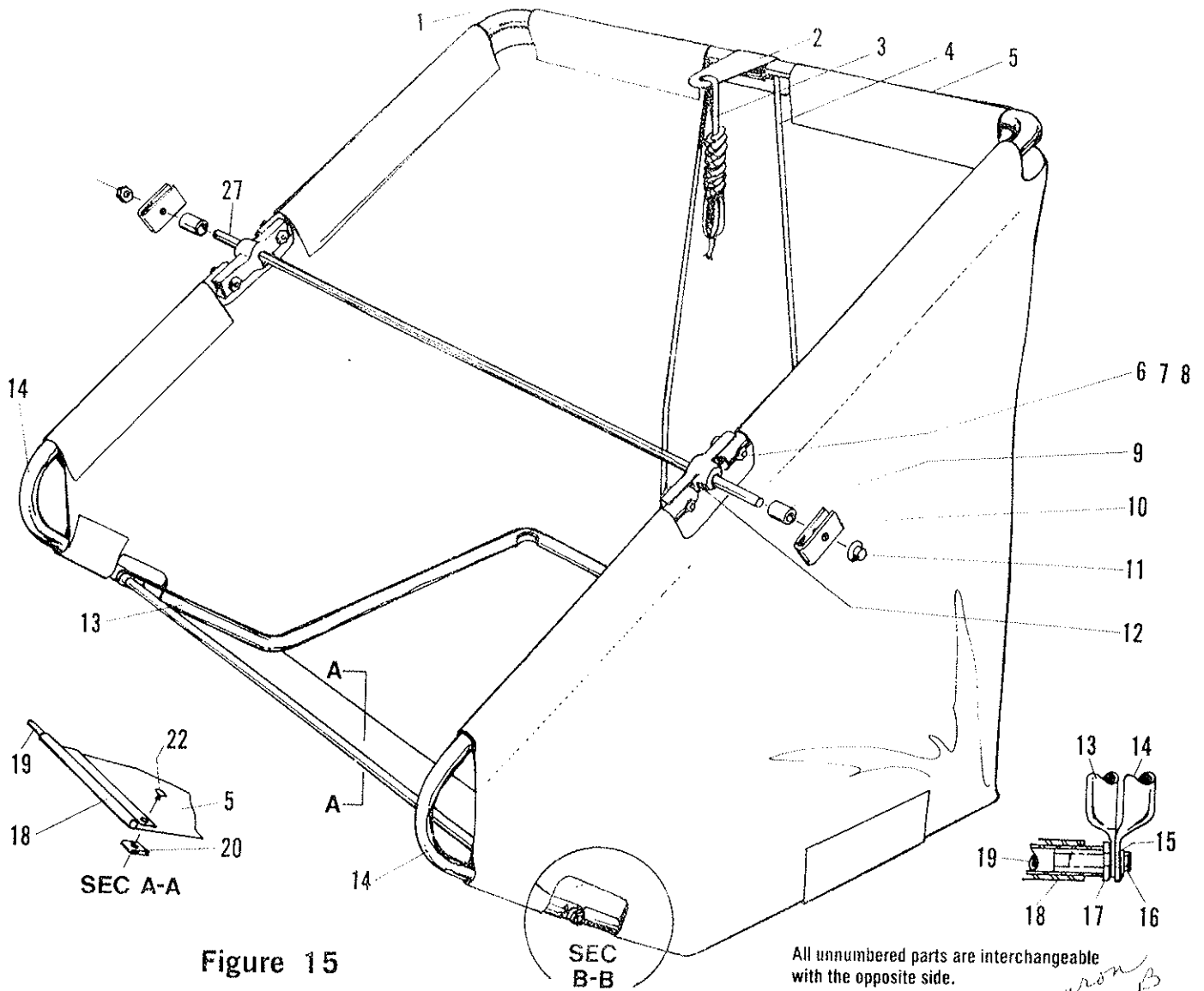


Figure 15

PARTS LIST

Ref. No.	Part No.	Qty. Per Unit	Description of Part	Ref. No.	Part No.	Qty. Per Unit	Description of Part
1	76-326-B	1	Rear Basket Frame	12	59-62 79-112-B	2	Pivot Bracket
2	76-252-A	1	Rope Clip	13	76-282-B	1	Lower Basket Frame
3	60-09-A	1	Rope	14	76-285-B	2	Front Basket Frame
4	78-151-B	1	Basket Spring	15	935-516	2	Spring Lock Washer 5/16
5	76-337 SA-1107-A	1	Basket Sides & Bottom - SA-1112-C	16	76-269-A	2	Lag Bolt 5/16 x 1 1/2
6	69-416-20	4	Contour Head Bolt 1/4-20 x 1 1/4	17	76-270 SA-1093	2	Insert
7	935-416	4	Spring Lock Washer 1/4	18	76-276 "	1	Basket Bottom Clamp SA-1093-B
8	335-416	4	Hex Nut 1/4-20	19	76-268 "	1	Basket Bottom Support
9	73-414-A	2	Spacer	20	346-416	5	Speed Nut 1/4-20
10	76-242-A	2	Pivot Latch	22	615-416-0	5	Machine Screw 1/4-20 x 3/8
11	76-254-A	2	End Cap	27	76-275-A	1	Pivot Rod

HOW TO ORDER REPAIR PARTS

The Model number will be found printed on the hood. Always mention the Model number when requesting service or ordering repair parts for your Lawn Sweeper.

The parts list will note that some parts are for the right side of the sweeper and some are for the left side. To determine the right and left side, stand behind your sweeper facing the direction the sweeper will move when in operation. The left side of your sweeper is at your left, and the right side of the sweeper is at your right side.

All parts listed in this book may be ordered from any authorized "Parker" dealer. However, if the parts you need are not stocked locally, you may order from Parker Sweeper Company, P.O. Box 1728, Springfield, Ohio 45501.

WHEN ORDERING REPAIR PARTS, ALWAYS GIVE THE FOLLOWING INFORMATION:

1. PART NUMBER (NOT THE REF. NO.)
2. PART DESCRIPTION
3. MODEL NUMBER (From the Hood)
4. NAME OF THE SWEEPER