



## Electronic Service Manuals

This electronic document is provided as a service to our customers. We do not create the contents of the information contained in this document. Should you have detailed questions pertaining to the information contained in this document, you may contact Michco, or the manufacturer which provided the original information in this electronic deliverable. Michco's only part in this electronic deliverable was the electronic assembly process. By providing this manual on line we are not guaranteeing parts availability.

You may contact Michco through the following methods:

Phone (517) 484-9312 or (800) 331-3339

2011 N. High St. -- Lansing, Michigan -- 48906

Fax: (517) 484-9836

Email: [CustServe@Michco.com](mailto:CustServe@Michco.com)

Web site: [www.Michco.Com](http://www.Michco.Com)

Parts Web site: [www.FloorMachineParts.Com](http://www.FloorMachineParts.Com)

Order Parts on Line at:

**[www.FloorMachineParts.Com](http://www.FloorMachineParts.Com)**

Directly to Parts & Service:

By Email: **[Shop@Michco.com](mailto:Shop@Michco.com)**

By Fax: (517) 702-2041

By Voice: Use numbers above.

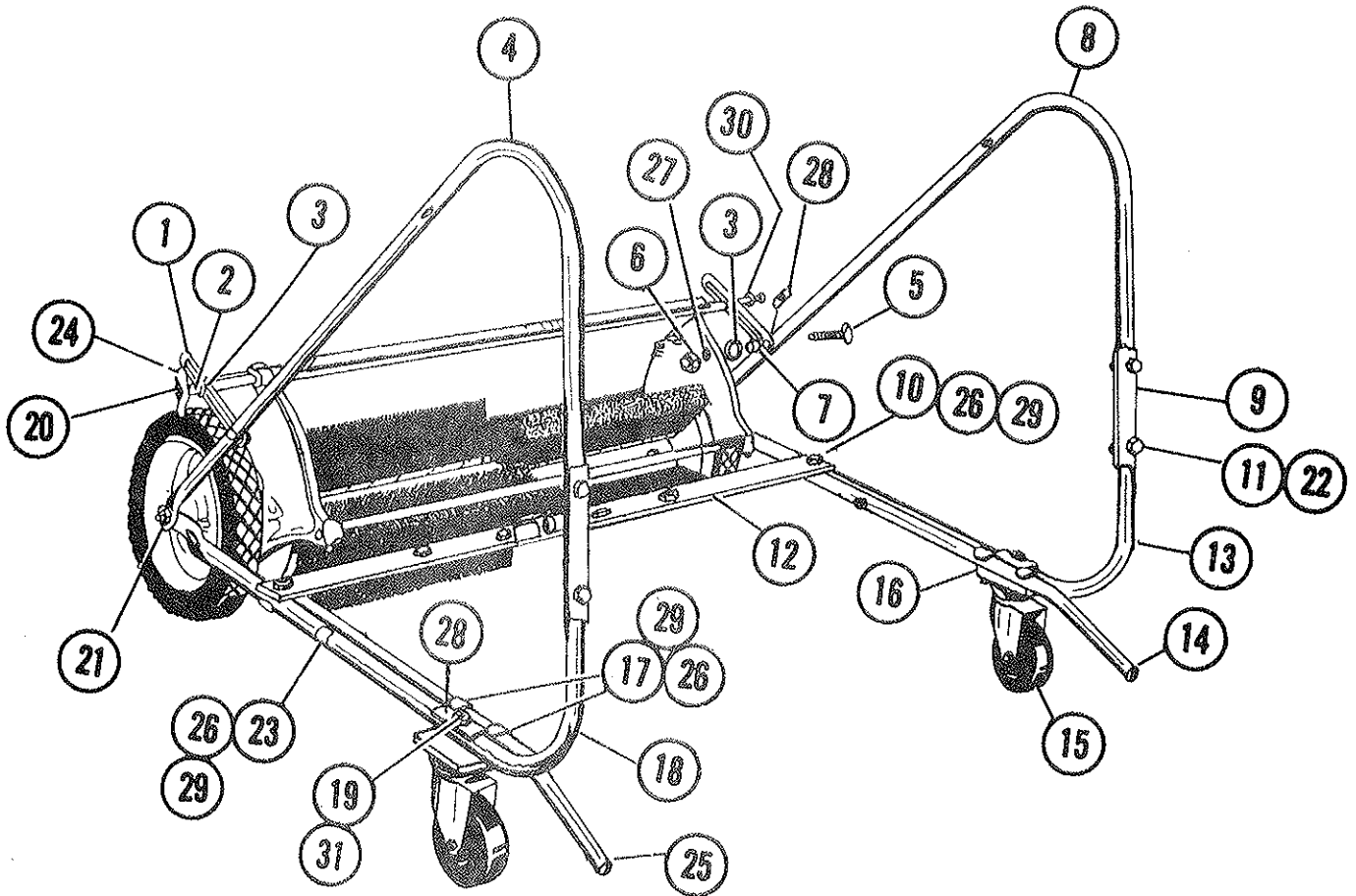
**Serving the Cleaning Industry Since 1922**

Notice: All copyrighted material remains property of original owners, all trademarks are property of respective owners. Manuals are subject to Manufacturer's reproduction limitations. Originals or reproductions were provided by manufacturers through a request. We make no warranty as to the correctness of information provided in this document and you assume all risk. By placing these manuals on line we are not declaring our corporation to be an manufacturer authorized dealer or provider, please check our web site for authorized manufacturers we represent.

# TE-7636 TRAILETTE

## 36" TRAILING LAWN SWEEPER

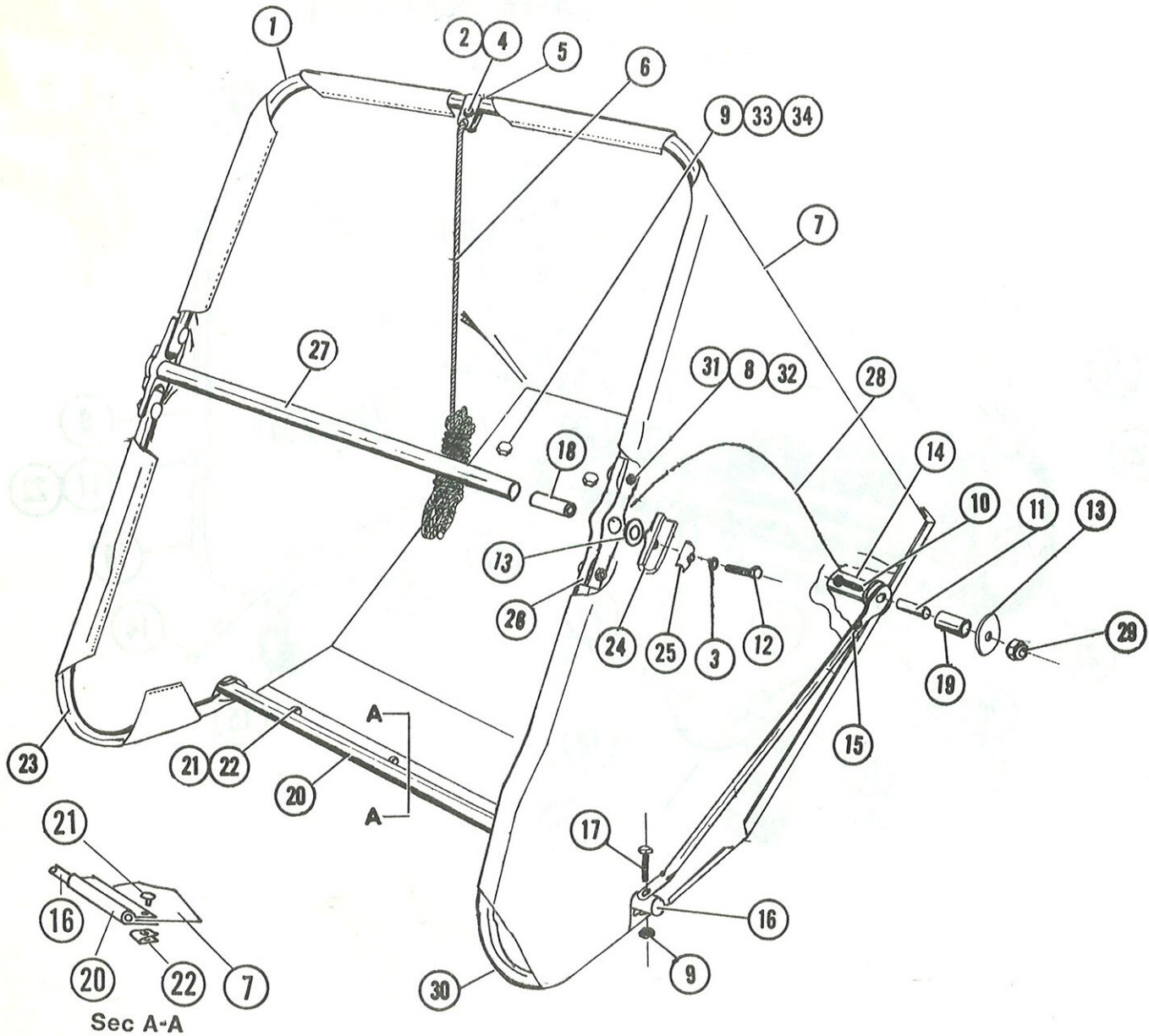
SECTION 4



### PARTS LIST

Ref. No.	Part No.	Qty. Per Unit	Description of Part	Ref. No.	Part No.	Qty. Per Unit	Description of Part
1	59-59-A	2	Bracket-Brush Adjusting	17	69-416-24	4	Bolt-Cont. Hd. $\frac{1}{4}$ -20 x $1\frac{1}{2}$
2	53-08-A	1	Spacer	18	75-188-LC	1	Lower Frame-L.H.
3	945-516	2	Washer-Flat S.A.E. $\frac{5}{16}$	19	65-516-40	2	Bolt-Hex Hd. $\frac{5}{16}$ -18 x $2\frac{1}{2}$
4	69-112-LD	1	Upper Frame-L.H.	20	69-111-A	1	Bolt-Adjusting
5	69-516-24	2	Bolt-Cont. Hd. $\frac{5}{16}$ -18 x $1\frac{1}{2}$	21	368-816	2	Nut-Hex Jam- $\frac{1}{2}$ -20
6	335-516	4	Nut-Hex $\frac{5}{16}$ -18	22	65-416-20	4	Bolt-Hex Hd. $\frac{1}{4}$ -20 x $1\frac{1}{4}$
7	54-227-A	2	Spacer	23	69-416-28	2	Bolt-Cont. Hd. $\frac{1}{4}$ -20 x $1\frac{3}{4}$
8	69-113-RD	1	Upper Frame-R.H.	24	351-516-20	1	Wing Nut
9	58-124-C	4	Clamp-Handle	25	69-108-LD	1	Frame-Bottom Support L.H.
10	69-416-20	6	Bolt-Cont. Hd. $\frac{1}{4}$ -20 x $1\frac{1}{4}$	26	335-416	12	Nut-Hex $\frac{1}{4}$ -20
11	365-416	4	Nut-Lock Hex $\frac{1}{4}$ -20	27	936-516	2	Washer-Internal Tooth
12	69-109-D	1	Tie Bar	28	59-77-A	2	Clamp-Tube
13	75-189-RC	1	Lower Frame-R.H.	29	936-416	12	Washer-Internal Tooth $\frac{1}{4}$
14	69-107-RD	1	Frame-Bottom Support R.H.	30	945-616	1	Washer $\frac{3}{8}$
15	75-123-A	2	Caster Assembly	31	365-516	2	Nut-Hex Lock $\frac{5}{16}$ -18
16	59-69-B	2	Caster Plate				

# BASKET ASSEMBLY



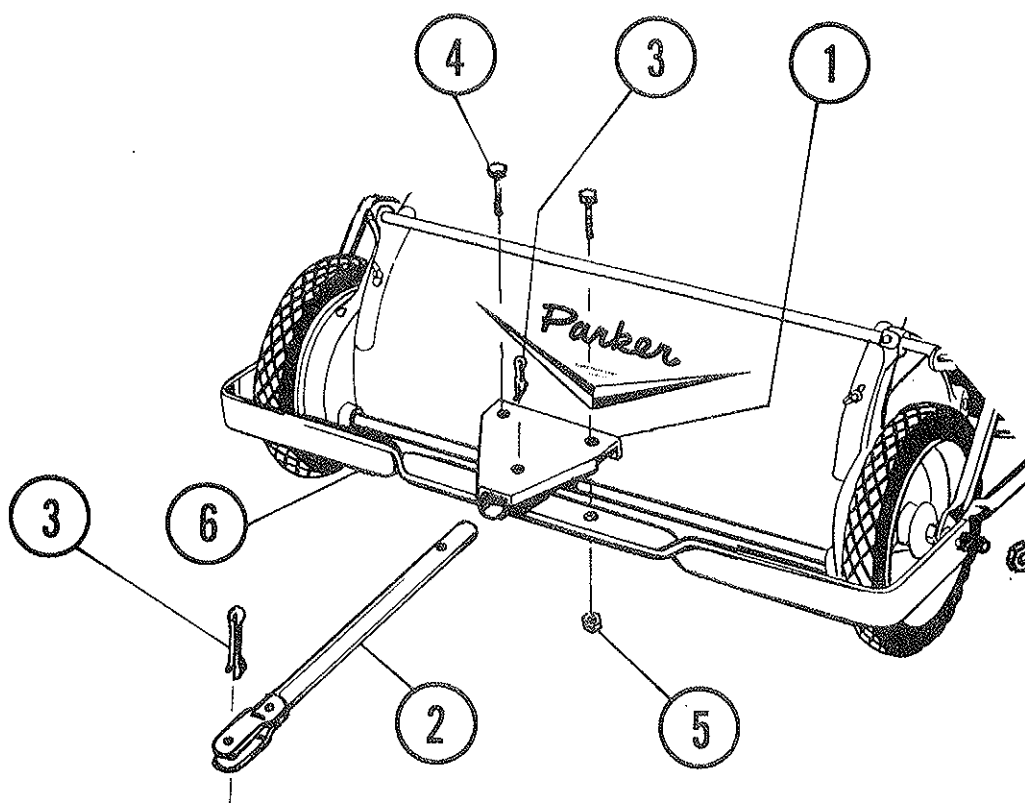
## PARTS LIST

Ref. No.	Part No.	Qty. Per Unit	Description of Part	Ref. No.	Part No.	Qty. Per Unit	Description of Part
1	69-110-D	1	Frame-Rear Basket	18	70-26-A	2	Spacer Bushing
2	70-516-24	1	Bolt-Carriage $\frac{5}{16}$ -18 x $1\frac{1}{2}$	19	69-196-A	2	Stop Bumper
3	936-516	2	Washer-Int. Tooth Lock $\frac{5}{16}$	20	69-106-D	1	Clamp-Basket Bottom
4	365-516	1	Nut-Lock $\frac{5}{16}$ -18	21	515-416-6	5	Screw-Rd. Hd. $\frac{1}{4}$ -20 x $\frac{3}{8}$
5	59-60-A	1	Bracket	22	346-416	5	Nut-Speed $\frac{1}{4}$
6	60-09-A	1	Rope	23	69-114-RF	1	Frame-Front Basket-R.H.
7	SA-239-F	1	Basket Sub. Assembly	24	59-68-B	2	Short Pivot Block
8	69-416-20	4	Bolt-Cont. Hd. $\frac{1}{4}$ -20 x $1\frac{1}{4}$	25	59-77-A	2	Clamp-Tube
9	365-416	6	Nut-Lock $\frac{1}{4}$ -20	26	59-62-B	2	Long Pivot Block
10	65-616-40	2	Bolt-Hex Head $\frac{3}{8}$ -16 x $2\frac{1}{2}$	27	70-28-A	1	Spreader-Tube Weld.
11	63-291-A	2	Spacer	28	70-84-B	2	Basket Spring
12	65-516-52	2	Screw-Cap $\frac{5}{16}$ -18 x $3\frac{1}{4}$	29	365-616	2	Nut-Lock Hex $\frac{3}{8}$
13	55-156-A	4	Washer-Special	30	69-115-LF	1	Frame-Front Basket-L.H.
14	69-103-B	1	Basket Stop	31	936-416	4	Washer-Int. Tooth $\frac{1}{4}$
15	69-102-B	2	Basket Brace	32	335-416	4	Nut-Hex Plain
16	69-122-A	1	Basket Bottom Support	33	945-416	4	Washer-Flat
17	65-416-24	2	Bolt Hex Hd. $\frac{1}{4}$ -20 x $1\frac{1}{2}$	34	65-416-12	4	Bolt-Hex Hd. $\frac{1}{4}$ -20 x $\frac{3}{4}$

## HITCH ASSEMBLY

## PARTS LIST

Ref. No.	Part No.	Qty. Per Unit	Description of Part
1	75-40-B	1	Hitch Plate Assembly
2	75-32-B	1	Tongue Weldment
3	74-75-A	2	Pin-Clinch
4	65-516-12	2	Bolt-Hex Hd. $\frac{5}{16}$ -18 x $\frac{3}{4}$
5	364-516	2	Nut-Hex Lock $\frac{5}{16}$ -18
6	75-134-B	1	Yoke



**ALWAYS GIVE THE FOLLOWING INFORMATION WHEN ORDERING REPAIR PARTS:**

1. PART NUMBER (Not Ref. No.)  
2. QUANTITY NEEDED

3. DESCRIPTION OF PART  
4. MODEL No. TE-7636

If unable to obtain parts locally, write down above information and send to:  
PARKER SWEEPER CO., BOX 1728, SPRINGFIELD, OHIO 45501

Your unit is right hand (R.H.) or left hand (L.H.) as you stand behind it.

**IMPORTANT**

