



Electronic Service Manuals

This electronic document is provided as a service to our customers. We do not create the contents of the information contained in this document. Should you have detailed questions pertaining to the information contained in this document, you may contact Michco, or the manufacturer which provided the original information in this electronic deliverable. Michco's only part in this electronic deliverable was the electronic assembly process. By providing this manual on line we are not guaranteeing parts availability.

You may contact Michco through the following methods:

Phone (517) 484-9312 or (800) 331-3339

2011 N. High St. -- Lansing, Michigan -- 48906

Fax: (517) 484-9836

Email: CustServe@Michco.com

Web site: www.Michco.Com

Parts Web site: www.FloorMachineParts.Com

Order Parts on Line at:

www.FloorMachineParts.Com

Directly to Parts & Service:

By Email: **Shop@Michco.com**

By Fax: (517) 702-2041

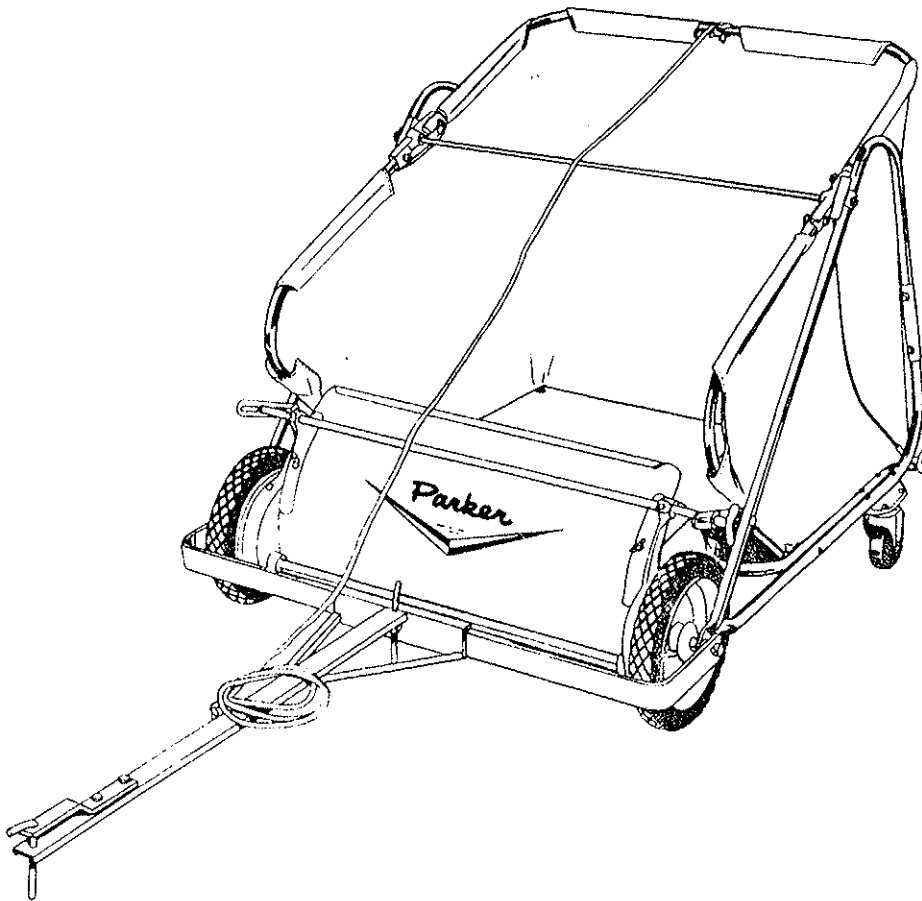
By Voice: Use numbers above.

Serving the Cleaning Industry Since 1922

Notice: All copyrighted material remains property of original owners, all trademarks are property of respective owners. Manuals are subject to Manufacturer's reproduction limitations. Originals or reproductions were provided by manufacturers through a request. We make no warranty as to the correctness of information provided in this document and you assume all risk. By placing these manuals on line we are not declaring our corporation to be an manufacturer authorized dealer or provider, please check our web site for authorized manufacturers we represent.

OPERATING INSTRUCTIONS
AND PARTS LIST FOR
TE-6230 TRAILETTE


Parker



NOTICE: These instructions were written to assist you in assembling your Trailette Lawn Sweeper quickly and correctly. Read instructions thoroughly before attempting assembly so that you are familiar with the complete procedure.

PARKER SWEEPER COMPANY

BOX ~~770~~ 1728

7/14/93

SPRINGFIELD, OHIO

ASSEMBLY INSTRUCTIONS

This carton contains the sweeper, hitch and hardware. You will find the hitch and hardware immediately upon opening the carton. Remove these from the carton as well as the board insert.

Refer to Figure 2. Assemble upper basket supports, Ref. Nos. 4 and 8 to lower support tubes, Ref. Nos. 13 and 18, with clamps, Ref. No. 9. Secure clamps to tube sections with hardware, Ref. Nos. 10, 11, and 12.

Refer to Figure 3. Unfold canvas material. Raise basket section, Ref. No. 7, from rear and position tubing frames, Ref. Nos. 19 and 23, to pivot block, Ref. No. 26. Place clamp, Ref. No. 25, as illustrated and secure assembly with hardware, Ref. Nos. 8, 9, and 16.

Refer to Figure 3. Loosen bolt, Ref. No. 8, which secures

upper rear frame tube, Ref. No. 1, to pivot block, Ref. No. 26. Loosen just enough to permit moving spring retainer, Ref. No. 10. The spring retainer is to remain on outside of canvas. Insert spring, Ref. No. 15, first to lower spring retainer, Ref. No. 10. Bow spring enough to insert to upper spring retainer. Repeat operation on opposite side. Retighten bolts securely.

Refer to Figure 4. Remove coupling pin, Ref. No. 7, Section AA. (This pin is located as shown in the center of yoke at front of sweeper, Ref. No. 24 of Figure 2). Attach tongue, Ref. No. 1, to yoke by placing tongue over swivel pin, Ref. No. 6. Place coupling pin, Ref. No. 7, through hole in tongue and swivel pin. See illustration on front cover.

OPERATING INSTRUCTIONS

Brush Height Adjustment. Loosen large wing nut, Ref. 26, Figure 2. To raise brushes to extreme height, pull sweeping unit forward as far as slots in brush adjustment brackets, Ref. No. 1, Figure 2, will permit. To lower brushes to lowest position, push sweeping unit backward as far as slots will permit. Secure wing nut when desired brush adjustment is obtained.

1. For grass clippings or leaves adjust hood and brushes at highest positions. After trial run on lawn, should the settings be too high, lower slightly and try again until correct setting is found. Brush life may be prolonged by adjusting so contact with ground is light.

2. For patio, sidewalk and driveway sweeping, adjust hood to bottom position. Also adjust brushes so they just contact cement.

NOTE: IF SWEEPER PULLS HARD, THE BRUSHES OR HOOD ARE SET TOO LOW.

Hood Adjustment. To facilitate shipping we have placed

the hood in its highest position. Loosen two wing nuts, Ref. No. 4, Figure 1, and adjust hood to desired height. Retighten wing nuts. The hood is in correct position when it does not drag or throw sweepings ahead of sweeper.

Operation. The load is dumped from basket by pulling basket forward with rope, causing basket to pivot into a semi-inverted position. When load is discharged allow rope and basket to return to its normal position.

Maintenance. Place a few drops of oil into the two oilers which are located on each side plate, Ref. Nos. 7 and 17 of Figure 1, everytime the machine is used or once or twice a day when machine is used all day. The wheels and casters should be lubricated at the same time. A drop or two of oil should also be applied occasionally to the basket pivot block, Ref. No. 26, Figure 3.

Canvas Basket Care. The canvas will give longer life if it is never folded when wet or damp. Allow the canvas to dry thoroughly in upright position before storing.

ALWAYS GIVE THE FOLLOWING INFORMATION WHEN ORDERING REPAIR PARTS

Order all parts from your nearest dealer.

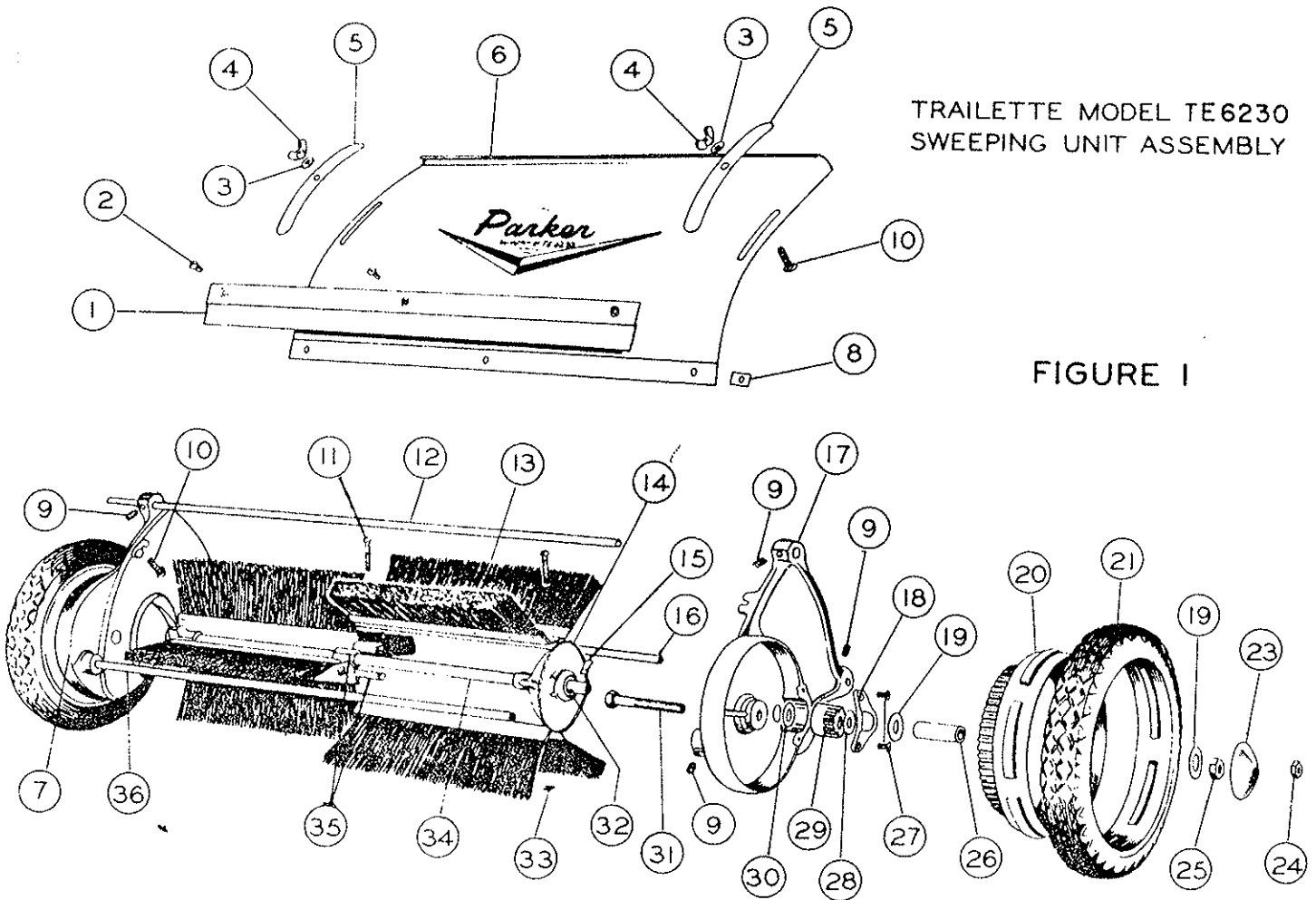
1. Part Number and Quantity.
2. Model Number (found on Hood).
3. Year Model, Serial Number (found on Guarantee Card).

Your unit is right hand (R.H.) or Left Hand (L.H.) as you stand behind it.

TRAILLETTE MODEL TE-6230 PARTS LIST FOR SWEEPING UNIT ASSEMBLY (FIGURE 1)

Ref. No.	Part No.	Qty. Per Unit	Description	Ref. No.	Part No.	Qty. Per Unit	Description
1	62-12-B	1	Hood Extension Assy.	19	58-05-A ✓	4	Washer—Special
2	515-10-6 ✓	3	Screw—Rd. Hd. Machine No. 10 x 3/8	20	58-14-D-1 ✓	2	Wheel
3	945-516 ✓	2	Washer—Plain 3/16	21	58-01-B	2	Tire 68-270-B ✓
4	351-516-20 ✓	2	Wing Nut 3/16-18	23	55-20-A	2	Hub Cap
5	49-11-A ✓	2	Hood Clamp	24	325-016	2	Nut—Hex 1/2-20
6	62-58-D	1	Hood	25	345-816 ✓	2	Nut—Hex—Jam Nut 1/2-20
7	59-04-RD	1	Side Plate—Right Hand 76-338-RF ✓	26	58-06-A ✓	2	Sleeve
8	346-10 ✓	3	Speed Nut—No. 10	27	505-416-8	4	Screw—Flat Hd. 1/4-20 x 1/2
9	560-C-516-10 ✓	6 ✓	Set Screw—Sq. Hd. 3/16-18 x 3/8	28	946-1016-16 ✓	2	Washer—Fiber
10	66-516-12	2	Bolt—Sq. Hd. 3/16-18 x 3/4 <i>use 65-516-12</i>	29	45-18-RA	1	Pinion—Right Hand (not shown) <i>PINION KIT SA-1583-B</i>
11	515-416-28 ✓	4	Screw—Rd. Hd. Machine 1/4-20 x 1 3/4	29	45-19-LA	1	Pinion—Left Hand (shown)
12	62-06-A	1	Adjusting Tube	30	50-33-A ✓	2	Washer—Special
13	62-20-B	4	Brush Assy. (1 set of 4) BK-10 / <i>re</i>	31	53-35-A ✓	2	Axle
14	53-176-D	2	Reel Guard	32	48-336-A	2	Bearing 68-60-A ✓
15	45-25-A	2	Pawl <i>IN PINION KIT</i>	33	355-416 ✓	4	Sq. Nut
16	62-60-A	1	Tie Rod—Rear	34	62-21-B	1	Reel Shaft
17	59-05-LD	1	Side Plate—Left Hand 76-337-LF ✓	35	49-17-A ✓	4	Bracket—Brush
18	56-94-B	2	Cover—Pinion 80-01-B ✓	36	62-04-A ✓	1	Tie Rod—Front

10007-8-1200-14.5 Truck Strips

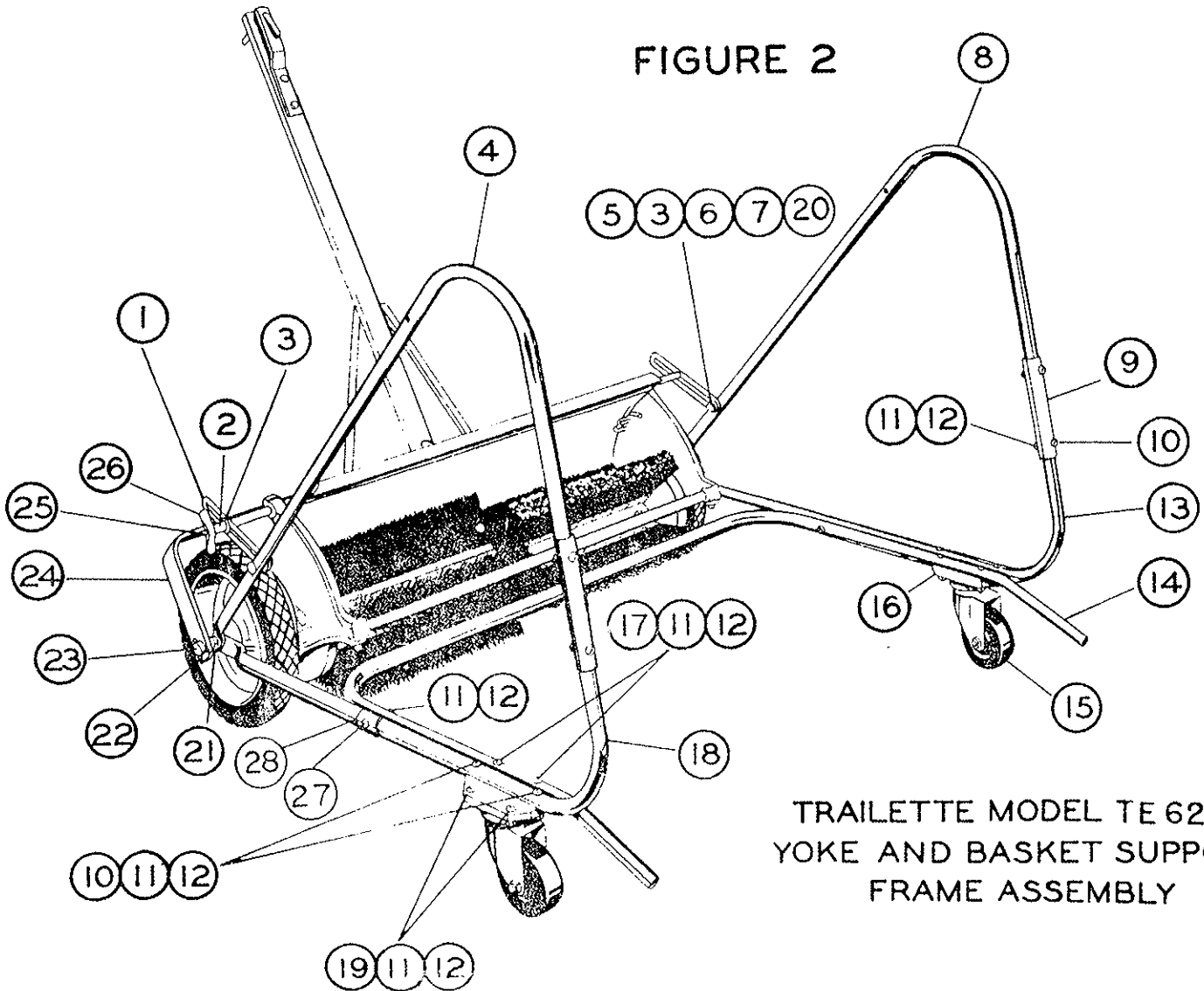


TRAILLETTE MODEL TE6230
SWEEPING UNIT ASSEMBLY

FIGURE 1

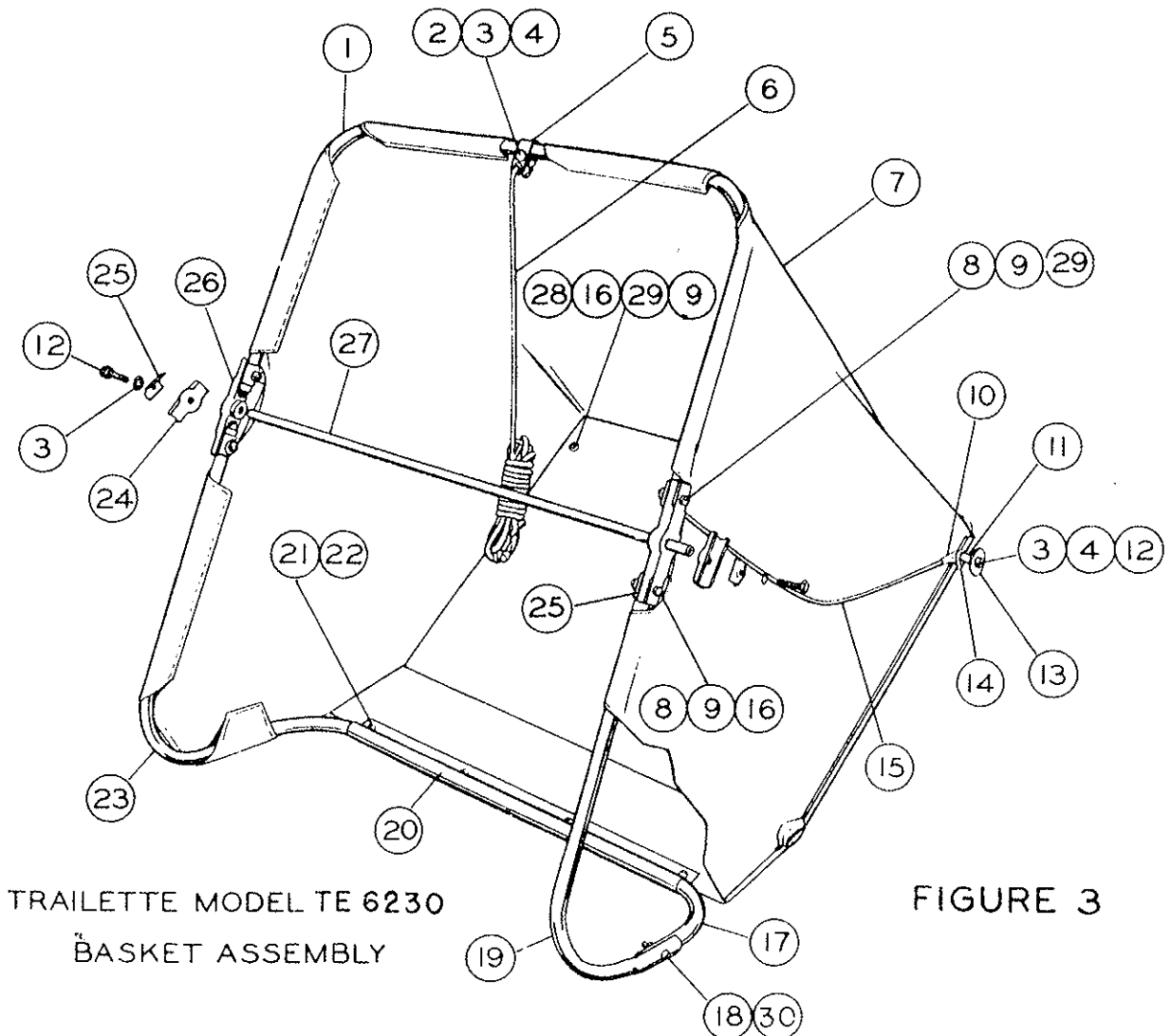
**TRAILLETTE MODEL TE-6230 PARTS LIST
FOR YOKE AND BASKET SUPPORT FRAME ASSEMBLY (FIGURE 2)**

Ref. No.	Part No.	Qty. Per Unit	Description	Ref. No.	Part No.	Qty. Per Unit	Description
1	59-59-A ✓	2	Bracket—Brush Adjustment	16	59-69-B	2	Plate—Caster Mounting
2	59-14-A	1	Spacer	17	515-416-24	4	Screw—Rd. Hd. Machine ¼-20 x 1½
3	945-516	5	Washer—Plain ⅝	18	59-66-LF	1	Support—Lower Frame— Left Hand
4	59-64-LF	1	Support—Upper Frame— Left Hand	19	515-416-12 ✓	4	Screw—Rd. Hd. Machine ¼-20 x ¾
5	70-516-20	2	Carriage Bolt ⅝-18 x 1¼	20	936-516	2	Washer—Int. Tooth Lock ⅝
6	54-227-A ✓	2	Spacer	21	345-816 ✓	2	Nut—Hex Jam ½-20
7	335-516 ✓	2	Nut—Hex ⅝-18	22	380-432-24 ✓	2	Cotter Pin
8	59-65-RF	1	Support—Upper Frame— Right Hand	23	59-198-A	2	Axle Ext.
9	58-124-C ✓	4	Clamp—Handle	24	62-31-D	1	Yoke
10	515-416-20	8	Screw—Rd. Hd. Machine ¼-20 x 1¼	25	62-67-A	1	Bolt—Special
11	936-416 ✓	18	Washer—Int. Tooth Lock ¼	26	351-516-40	1	Wing Nut ⅝-18 x 2½ Wing Span
12	335-416 ✓	18	Nut—Hex ¼-20	27	515-416-32	2	Screw—Rd. Hd. Machine ¼-20 x 2
13	59-65-RF	1	Support—Lower Frame— Right Hand	28	59-77-A ✓	2	Clamp—Tube
14	62-65-F	1	Support—Bottom Frame				
15	58-100-A	2	Caster 69-119-A ✓				



TRAILLETTE MODEL TE-6230 PARTS LIST FOR BASKET ASSEMBLY (FIGURE 3)

Ref. No.	Part No.	Qty. Per Unit	Description	Ref. No.	Part No.	Qty. Per Unit	Description
1	62-60-F	1	Frame—Rear Upper Basket	18	515-416-16	2	Screw—Rd. Hd. Machine ¼-20 x 1
2	70-516-20 ✓	1	Carriage Bolt ¾-18 x 1¼	19	59-74-LD	1	Frame—Upper Front— Left Hand
3	936-516	7	Washer—Int. Tooth Lock ¾	20	62-58-C	1	Clamp—Basket Bottom
4	335-516 ✓	3	Nut—Hex ¾-18	21	515-416-6	4	Screw—Rd. Hd. Machine ¼-20 x ¾
5	59-60-A	1	Bracket	22	346-416 ✓	4	Speed Nut ¼
6	60-09-A ✓	1	Rope Assy.	23	59-73-RD	1	Frame—Upper Front— Right Hand
7	62-62-F	1	Basket Assy.	24	59-68-B	2	Block—Pivot—Short 80-265-A
8	65-416-24 ✓	4	Bolt—Hex Hd. ¼-20 x 1½	25	59-77-A ✓	6	Clamp—Tube
9	335-416 ✓	6	Nut—Hex ¼-20	26	59-62-B	2	Block—Pivot—Long 79-112-B
10	59-61-A	4	Retainer—Spring	27	62-54-B	1	Pivot Rod—Basket
11	59-14-A	2	Spacer	28	515-416-12	2	Screw—Rd. Hd. Machine ¼-20 x ¾
12	65-516-28 ✓	4	Bolt—Hex Hd. ¾-18 x 1¾	29	936-416 ✓	6	Washer—Lock ¼
13	55-156-A	2	Washer—Special <i>82-138-B-1</i>	30	355-416-1	2	Sq. Nut—¼-20
14	62-55-B	1	Bar—Basket Stop				
15	59-79-A	2	Spring				
16	945-416 ✓	4	Washer—Plain ¼				
17	62-59-F	1	Frame—Lower Front Basket				



TRAILLETTE MODEL TE 6230
BASKET ASSEMBLY

FIGURE 3

TRAILLETTE MODEL TE-6230 PARTS LIST
FOR TONGUE ASSEMBLY (FIGURE 4)

Ref. No.	Part No.	Qty. Per Unit	Description	Ref. No.	Part No.	Qty. Per Unit	Description
1	58-111-C	1	Tongue Assy.—Complete	5	335-516 ✓	2	Nut—Hex $\frac{3}{8}$ -18
2	58-109-B	1	Bracket	6	58-115-A	1	Pin—Swivel
3	65-516-12 ✓	2	Bolt—Hex $\frac{3}{8}$ -18 x $\frac{3}{4}$	7	58-113-A	2	Pin—Coupling 81-1A-A
4	936-516	2	Washer—Lock $\frac{3}{8}$	8	58-110-D	1	Tongue

FIGURE 4

