



Electronic Service Manuals

This electronic document is provided as a service to our customers. We do not create the contents of the information contained in this document. Should you have detailed questions pertaining to the information contained in this document, you may contact Michco, or the manufacturer which provided the original information in this electronic deliverable. Michco's only part in this electronic deliverable was the electronic assembly process. By providing this manual on line we are not guaranteeing parts availability.

You may contact Michco through the following methods:

Phone (517) 484-9312 or (800) 331-3339

2011 N. High St. -- Lansing, Michigan -- 48906

Fax: (517) 484-9836

Email: CustServe@Michco.com

Web site: www.Michco.Com

Parts Web site: www.FloorMachineParts.Com

Order Parts on Line at:

www.FloorMachineParts.Com

Directly to Parts & Service:

By Email: **Shop@Michco.com**

By Fax: (517) 702-2041

By Voice: Use numbers above.

Serving the Cleaning Industry Since 1922

Notice: All copyrighted material remains property of original owners, all trademarks are property of respective owners. Manuals are subject to Manufacturer's reproduction limitations. Originals or reproductions were provided by manufacturers through a request. We make no warranty as to the correctness of information provided in this document and you assume all risk. By placing these manuals on line we are not declaring our corporation to be an manufacturer authorized dealer or provider, please check our web site for authorized manufacturers we represent.

TRAILLETTE LAWN SWEEPER SWEEPING UNIT ASSEMBLY AND HITCH ASSEMBLY	SIZE 28"	PRODUCTION YEAR 1960	MODEL No. TE-6028
--	---------------------	---------------------------------	------------------------------

PARTS LIST FOR FIGURE 1 — SWEEPING UNIT ONLY

REF. No.	PART No.	QTY. PER UNIT	DESCRIPTION	REF. No.	PART No.	QTY. PER UNIT	DESCRIPTION
1	60-15-B	1	Hood Extension	19	58-05-A	4	Washer—Special
2	515-10-6	3	Screw—Rd. Hd. Machine 10 x 3/8	20	58-14-C	2	Wheel
3	945-516	2	Washer—Plain	21	53-01-B	2	Tire
4	351-516-20	2	Wing Nut	23	53-20-A	2	Hub Cap
5	49-11-A	2	Hood Reinforcement	24	325-816	2	Nut—Hex
6	59-86-E	1	Hood	25	345-816	2	Nut—Hex—Jam Nut
7	59-04-RD	1	Side Plate - Right Hand	26	58-06-A	2	Sleeve
8	346-10	3	Speed Nut—No. 10	27	505-416-8	4	Screw—Flat Head
9	560-C-516-10	6	Set Screw—Sq. Head 5/16 x 5/8	28	946-1016-16	2	Washer—Fiber
10	66-516-12	2	Bolt—Square Head 5/16 x 3/4	29	56-18-RC	1	Pinion—Right Hand (not shown)
11	515-416-28	4	Screw—Rd. Hd. Machine 1/4 x 1 3/4	29	56-19-LC	1	Pinion—Left Hand (Shown)
12	53-22-A	1	Tie Rod—Adjusting Tube	30	50-33-A	2	Washer—Special
13	57-187-B	2	Brush Assy. (1 set of 2)	31	53-35-A	2	Axle
14	53-176-D	2	Reel Guard	32	48-336-A	2	Bearing
15	4525-A	2	Pawl	33	335-416	4	Nut—Hex
16	60-10-A	1	Tie Rod—Rear	34	57-160-B	1	Reel Shaft
17	59-05-LD	1	Side Plate—Left Hand	35	49-17-A	4	Bracket—Brush
18	56-94-B	2	Cover—Pinion	36	4557-A	1	Tie Rod—Front

PARTS LIST FOR FIGURE 4 — HITCH ASSEMBLY

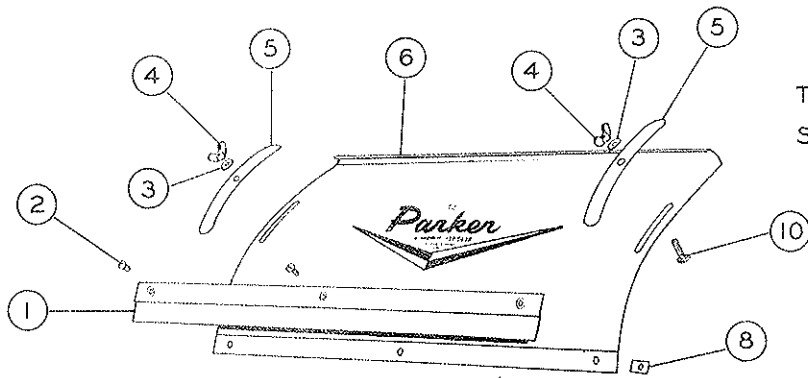
REF. No.	PART No.	QTY. PER UNIT	DESCRIPTION	REF. No.	PART No.	QTY. PER UNIT	DESCRIPTION
1	58-110-D	1	Tongue	5	335-516	2	Nut—Hex 5/8
2	58-109-B	1	Bracket	6	58-115-A	1	Pin—Swivel
3	65-516-12	2	Bolt—Hex 5/16 x 3/4	7	58-113-A	2	Pin—Coupling
4	936-516	2	Washer—Lock				

INSTRUCTIONS FOR ORDERING PARTS

- Order all parts from your nearest Authorized Parker Service Station. Orders received at the factory will be referred to the nearest Authorized Parker Service Station.
- Print your name and address clearly—state shipping address if different from mailing address.
- Specify sweeper model number (found on side plate or hood) and length of brushes.
- Give part number and name as shown on parts list.
- Specify quantity.
- If a part cannot be identified, return it with your order. (Do not ship any parts to the factory.)

The words "right" and "left" refer to the sides of the sweeper when facing in the direction machine travels in use.

FIGURE 1 — SWEEPING UNIT



TRAILLETTE MODEL TE6028
SWEEPING UNIT ASSEMBLY

FIGURE 1

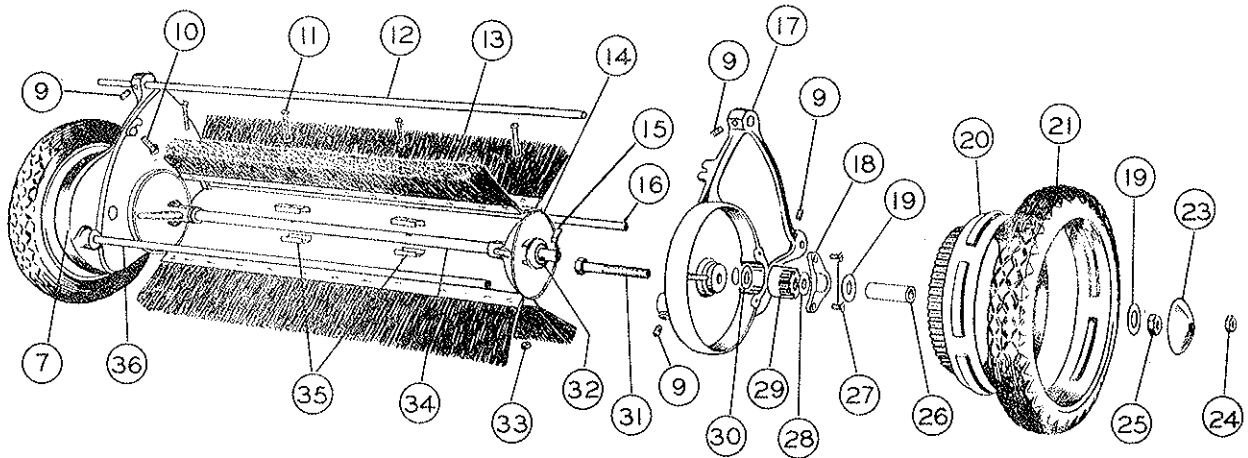
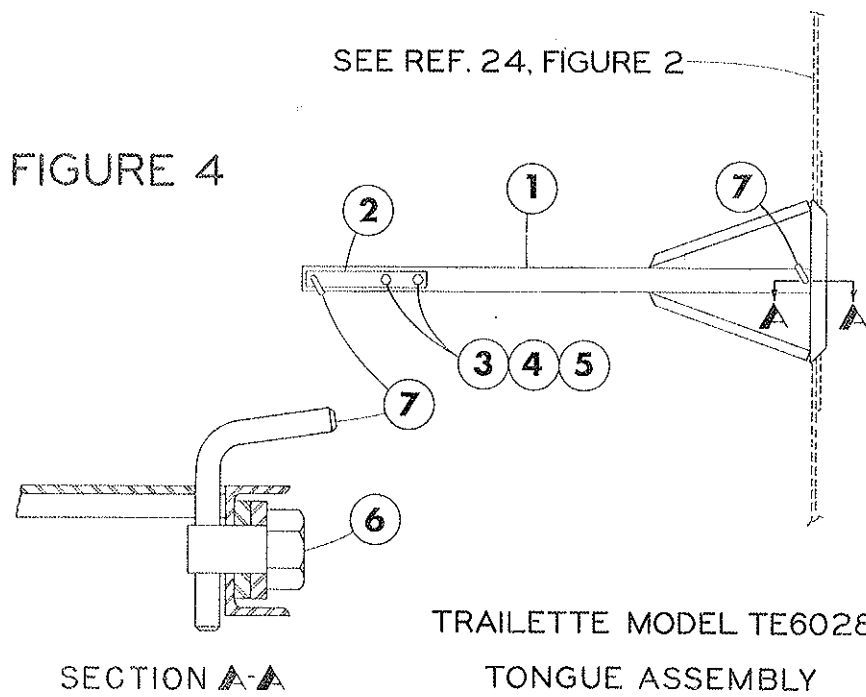


FIGURE 4 — HITCH ASSEMBLY TE-6028



SEE REF. 24, FIGURE 2

FIGURE 4

TRAILLETTE MODEL TE6028

SECTION A-A

TONGUE ASSEMBLY

TRAILLETTE LAWN SWEEPER BASKET AND YOKE ASSEMBLIES	SIZE 28"	PRODUCTION YEAR 1960	MODEL No. TE-6028
---	---------------------	---------------------------------	------------------------------

PARTS LIST FOR FIGURE 2—YOKE AND BASKET SUPPORT FRAME ASSY.

REF. No.	PART No.	QTY. PER UNIT	DESCRIPTION	REF. No.	PART No.	QTY. PER UNIT	DESCRIPTION
1	59-59-A	2	Bracket—Brush Adjustment	15	58-133-A	2	Caster
2	59-14-A	1	Spacer	16	59-69-B	2	Plate—Caster Mounting
3	945-516	5	Washer—Plain $\frac{5}{16}$	17	515-416-24	4	Screw—Rd. Hd. Machine $\frac{1}{4} \times 1\frac{1}{2}$
4	59-64-LF	1	Support—Upper Frame—Left Hand	18	59-66-LF	1	Support—Lower Frame—Left Hand
5	70-516-20	2	Carriage Bolt $\frac{5}{16} \times 1\frac{1}{4}$	19	515-416-12	4	Screw—Rd. Hd. Machine $\frac{1}{4} \times \frac{3}{4}$
6	54-227-A	2	Spacer	20	515-416-24	2	Screw—Rd. Hd. Machine $\frac{1}{4} \times 1\frac{1}{2}$
7	335-516	2	Nut—Hex $\frac{5}{16}$	21	345-816	2	Nut—Hex Jam $\frac{1}{2}$ - 20
8	59-63-RF	1	Support—Upper Frame—Right Hand	22	380-432-24	2	Cotter Pin
9	58-124-C	4	Clamp—Handle	23	53-198-A	2	Axle Ext.
10	515-416-20	8	Screw—Rd. Hd. Machine $\frac{1}{4} \times 1\frac{1}{4}$	24	58-114-E	1	Yoke
11	936-416	18	Washer—Int. Tooth Lock	25	53-28-A	1	Bolt—Special
12	335-416	18	Nut—Hex $\frac{1}{4}$	26	351-516-36	1	Wing Nut $\frac{5}{16} \times 2\frac{1}{4}$ Wing Span
13	59-65-RF	1	Support—Lower Frame—Right Hand				
14	59-70-F	1	Support—Lower Frame—U Tie Bar				

PARTS LIST FOR FIGURE 3—BASKET ASSEMBLY *59-82F*

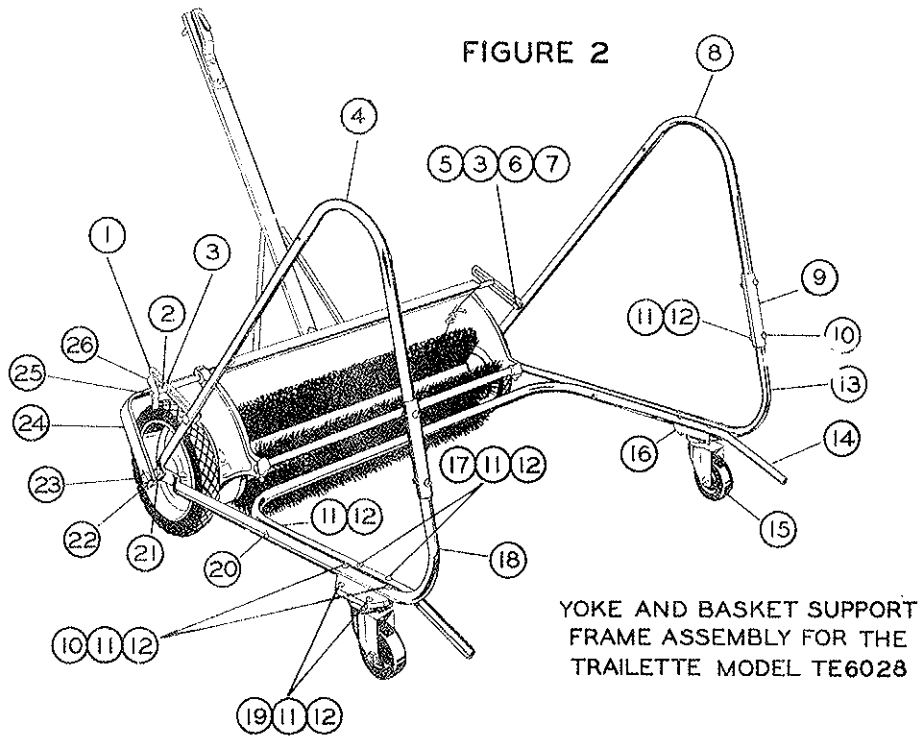
REF. No.	PART No.	QTY. PER UNIT	DESCRIPTION	REF. No.	PART No.	QTY. PER UNIT	DESCRIPTION
1	59-75-F	1	Frame—Upper—Rear	18	515-416-20	2	Screw Rd. Hd. Machine $\frac{1}{4} \times 1\frac{1}{4}$
2	70-516-20	1	Carriage Bolt $\frac{5}{16} \times 1\frac{1}{4}$	19	59-74-LD	1	Frame—Upper Front—Left Hand
3	936-516	5	Washer—Lock	20	59-72-C	1	Clamp—Basket Bottom
4	335-516	3	Nut—Hex	21	515-416-6	4	Screw—Rd. Hd. Machine $\frac{1}{4} \times \frac{3}{8}$
5	59-60-A	1	Bracket	22	346-416	4	Speet Nut
6	60-09-A	1	Rope	23	59-73-RD	1	Frame—Upper Front—Right Hand
7	60-13-F	1	Basket—Canvas—Assembly	24	59-68-B	2	Block—Pivot—Short
8	65-416-24	4	Bolt—Hex. Head $\frac{1}{4} \times 1\frac{1}{2}$	25	59-77-A	6	Clamp—Tube
9	335-416	8	Nut—Hex	26	59-62-B	2	Block—Pivot—Long
10	59-61-A	4	Retainer—Spring	27	59-78-B	1	Rod—Pivot
11	59-14-A	2	Spacer	28	515-416-12	2	Screw—Rd. Hd. Machine $\frac{1}{4} \times \frac{3}{4}$
12	65-516-28	4	Bolt—Hex Head $\frac{5}{16} \times 1\frac{1}{4}$	29	936-416	4	Washer—Lock
13	55-156-A	2	Washer—Special				
14	59-67-B	1	Stop—Basket				
15	59-79-A	2	Spring				
16	945-416	4	Washer—Plain				
17	59-76-F	1	Frame—Lower Front				

INSTRUCTIONS FOR ORDERING PARTS

- Order all parts from your nearest Authorized Parker Service Station. Orders received at the factory will be referred to the nearest Authorized Parker Service Station.
- Print your name and address clearly—state shipping address if different from mailing address.
- Specify sweeper model number (found on side plate or hood) and length of brushes.
- Give part number and name as shown on parts list.
- Specify quantity.
- If a part cannot be identified, return it with your order. (Do not ship any parts to the factory.)

The words "right" and "left" refer to the sides of the sweeper when facing in the direction machine travels in use.

PARTS LIST FOR FIGURE 2—YOKE AND BASKET SUPPORT FRAME ASSY.



PARTS LIST FOR FIGURE 3—BASKET ASSEMBLY

