



## Electronic Service Manuals

This electronic document is provided as a service to our customers. We do not create the contents of the information contained in this document. Should you have detailed questions pertaining to the information contained in this document, you may contact Michco, or the manufacturer which provided the original information in this electronic deliverable. Michco's only part in this electronic deliverable was the electronic assembly process. By providing this manual on line we are not guaranteeing parts availability.

You may contact Michco through the following methods:

Phone (517) 484-9312 or (800) 331-3339

2011 N. High St. -- Lansing, Michigan -- 48906

Fax: (517) 484-9836

Email: [CustServe@Michco.com](mailto:CustServe@Michco.com)

Web site: [www.Michco.Com](http://www.Michco.Com)

Parts Web site: [www.FloorMachineParts.Com](http://www.FloorMachineParts.Com)

Order Parts on Line at:

**[www.FloorMachineParts.Com](http://www.FloorMachineParts.Com)**

Directly to Parts & Service:

By Email: **[Shop@Michco.com](mailto:Shop@Michco.com)**

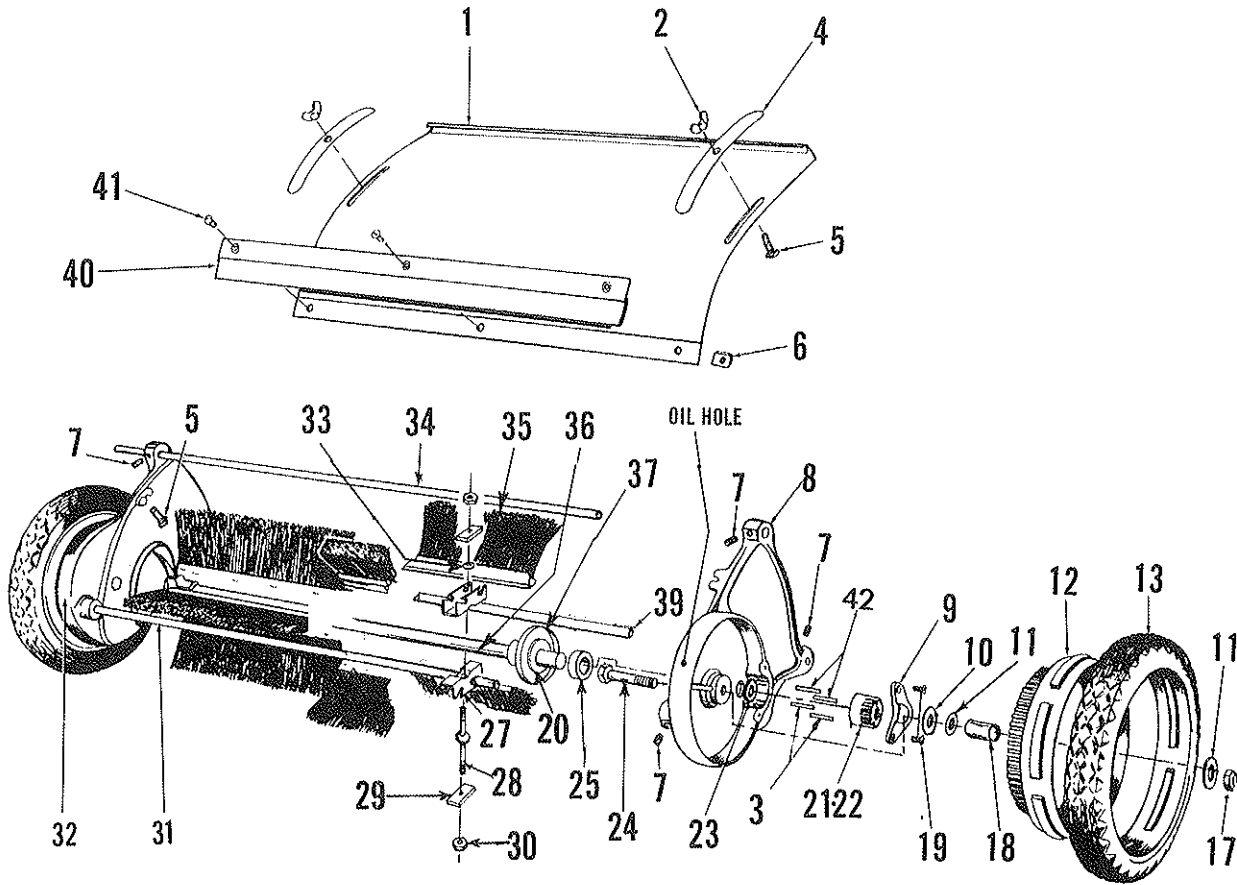
By Fax: (517) 702-2041

By Voice: Use numbers above.

**Serving the Cleaning Industry Since 1922**

Notice: All copyrighted material remains property of original owners, all trademarks are property of respective owners. Manuals are subject to Manufacturer's reproduction limitations. Originals or reproductions were provided by manufacturers through a request. We make no warranty as to the correctness of information provided in this document and you assume all risk. By placing these manuals on line we are not declaring our corporation to be an manufacturer authorized dealer or provider, please check our web site for authorized manufacturers we represent.

**SWEEPER UNIT ASSEMBLY**

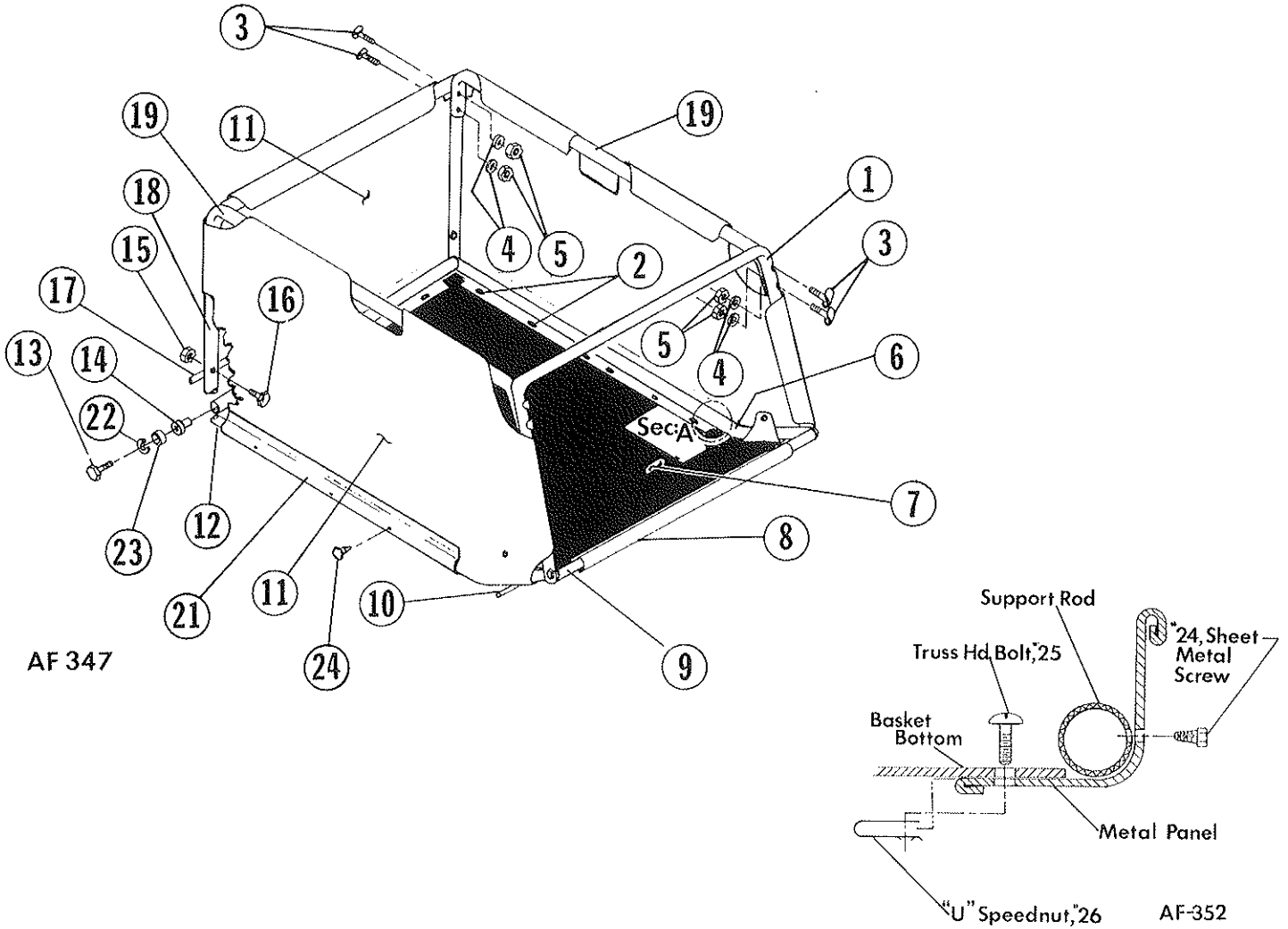


(AF-220)

**PARTS LIST**

Ref. No.	Part No.	Qty. Per Unit	Description	Ref. No.	Part No.	Qty. Per Unit	Description
1	80-152-C	1	Hood, Suburbanite	24	53-35-A	2	Axle
2	351-516-20	2	Wing Nut 5/16-18	25	68-60-A	2	Ball Bearing
4	49-11-A	2	Hood Clamp	27	74-13-A	8	Brush Bracket
5	65-516-12	2	Hex. Hd. Bolt 5/16-18x3/4	28	74-16-A	4	Brush Stud
6	346-10	5	Speed Nut #10-24	29	69-04-A	8	Brush Clamp
7	560-C-516-10	6	Set Screw 5/16-18x5/8	30	362-416	8	Hex. Lock Nut 1/4-20
8	76-339-LF	1	Left Hand Side Plate	31	68-33-A	1	Front Tie Rod
9	80-01-B	2	Pinion Cover	32	76-338-RF	1	Right Hand Side Plate
10	946-816-16	2	Fiber Washer	33	75-89-A	4	Retainer
11	58-05-A	4	Special Washer	34	68-34-A	1	Top Tie Rod
12	58-14-D-1	2	Wheel	35	1200-17-B	8	Brush Strip
13	75-88-C	2	Tire	36	79-103-B	1	Reel Shaft
17	363-816	2	Hex. Lock Nut 1/2-20	37	74-166-B	2	Dust Cover
18	58-06-C	2	Sleeve	39	80-141-A	1	Adjusting Tube
19	61-416-6	4	Bolt Hex. Hd. 1/4-20x3/8	40	68-37-B	1	Hood Extension
20	55-161-A	2	Special Washer	41	515-10-8	5	Rd. Hd. Machine Screw #10-24x1/2
21	<del>74-79-LB</del> *	1	Left Hand Pinion	42	<del>74-80-A</del> *	4	Pawl
22	<del>74-78-RB</del> *	1	Right Hand Pinion	43	<del>76-37-A</del> *	4	Pawl Spring
23	50-33-A	2	Special Washer		* SA-1580-B	1	PINION KIT

BASKET ASSEMBLY



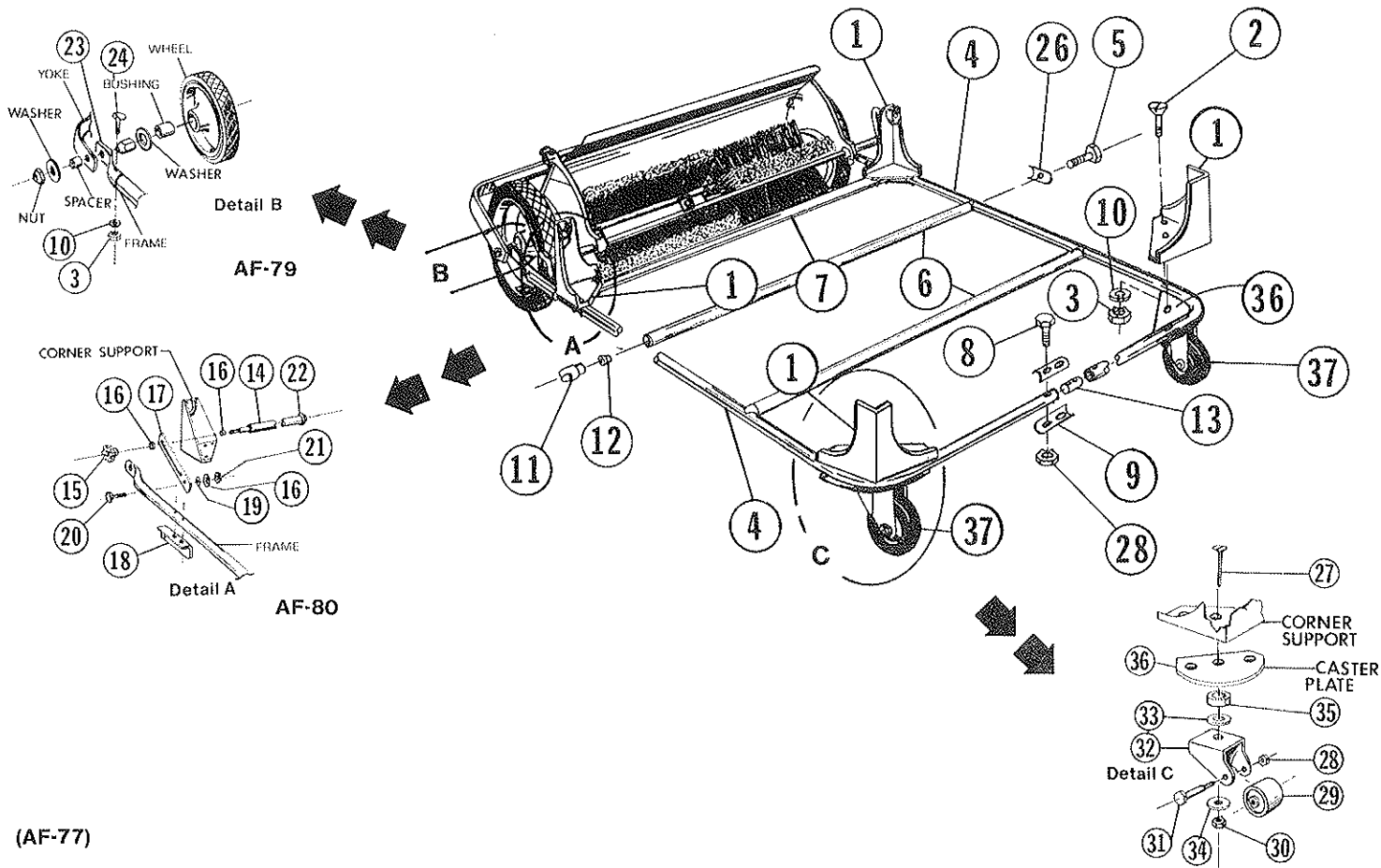
AF 347

AF-352

PARTS LIST

Ref. No.	Part No.	Qty. Per Unit	Description	Ref. No.	Part No.	Qty. Per Unit	Description
1	<del>80-135-B</del>	1	Front Basket Brace	14	73-57-A	4	Insert
2	82-35-A	20	Tite Rivet	15	365-416	4	Hex Lock Nut 1/4-20
3	69-416-32	8	Contour Hd. Bolt 1/4-20x2	16	65-416-24	4	Bolt Hex. Hd. 1/4-20x1 1/2
4	935-416	8	Lockwasher 1/4	17	80-140-B	1	Rear Support Rod
5	335-416	8	Nex nut, Plain 1/4-20	18	80-136-B	1	Frame, Rear
6	80-133-LB	1	Frame, Bottom Side L.H.	19	80-137-B	2	Frame, Top Sides
7	<del>81-170-B</del>	1	Basket Bottom <i>use 89-57-C</i>	20	<del>SA-1024-B</del>	1	Wind Apron (not shown) <i>SA-1556-D</i>
8	76-276-B	1	Basket Clamp, Front	21	82-34-C	3	Panels, Metal
9	76-268-A	1	Basket Support, Front	22	935-516	2	Lockwasher 5/16
10	80-139-B	1	Front Support Rod	23	81-120-A	2	Spacer
11	<del>82-39-C</del>	1	Basket Assembly <i>SA-1102-C</i>	24	534-14-8	9	Hex. Head Sheet Metal Screw
12	80-134-RB	1	Frame, Bottom Side, R.H.	25	<del>526-10-8</del>	20	Bolt Truss Hd., 10-24x1/2
13	65-516-16	4	Hex. Head Bolt 5/16-18x1	26	66-96-A	20	"U" type speed nut

BASKET SUPPORT FRAME ASSEMBLY

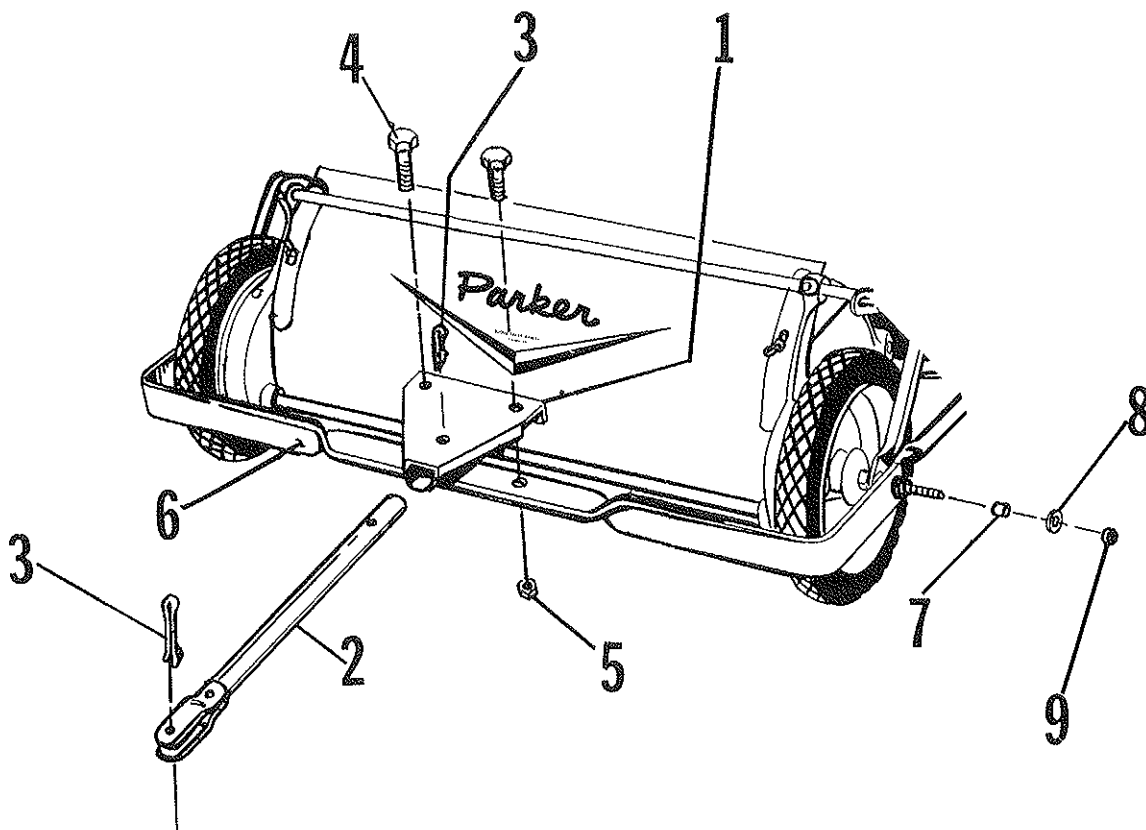


(AF-77)

PARTS LIST

Ref. No.	Part No.	Qty. Per Unit	Description	Ref. No.	Part No.	Qty. Per Unit	Description
1	80-130-B	4	Corner Support	20	65-516-12	2	Bolt, Hex. Hd. 5/16-18x3/4
2	505-416-32	10	Screw, Flat Hd. 1/4-20x2	21	365-516	2	Nut, Lock 5/16-18
3	335-416	14	Nut, Hex. 1/4-20	22	945-616	2	Washer 3/8
4	80-126-B	2	Frame	<b>DETAIL B</b>			
5	65-416-32	6	Bolt, Hex. Hd. 1/4-20x2	23	81-116-A	2	Tubing End Cap
6	<del>80-127-B</del>	2	Cross Brace <del>SA-834-B</del>	24	69-416-24	2	Bolt, Contour Hd. 1/4-20x1 1/2
7	<del>80-128-B</del>	1	Cross Brace <del>SA-835-B</del>	26	80-181-A	4	Bracket Clamp
8	65-416-24	4	Bolt Hex. Hd. 1/4-20x1 1/2	<b>DETAIL C</b>			
9	82-12-B	2	Clamp	27	505-516-36	2	Screw, Flat Hd. 5/16-18x2
10	935-416	14	Lockwasher 1/4	28	365-416	4	Hex. Locknut 1/4-20
11	81-172-A	6	Round To Round Connector	29	76-58-A	2	Roller
12	<del>81-173-A</del>	6	Tube Connector Wedge <del>80-148-B</del>	30	365-516	2	Hex. Locknut 5/16-18
13	80-147-A	1	Tube Insert	31	76-202-A	2	Axle
<b>DETAIL A</b>				32	76-136-B	2	Fork
14	80-158-A	1	Bolt, Special	33	78-130-A	2	Bearing
15	79-94-A	1	Knob	34	50-230-A	2	Washer
16	945-516	4	Washer, Flat 5/16	35	57-105-A	2	Spacer
17	59-59-A	2	Bracket, Brush Adjustment	36	81-95-B	2	Caster Plate
18	81-105-A	2	Angle Bracket	37	SA-578-B	2	Caster Assembly
19	54-227-A	2	Spacer				

HITCH ASSEMBLY



(AF-82)

PARTS LIST

Ref. No.	Part No.	Qty. Per Unit	Description	Ref. No.	Part No.	Qty. Per Unit	Description
1	75-40-B	1	Hitch Plate	6	75-134-B	1	Yoke
2	75-32-B	1	Tongue Weldment	7	68-44-A	2	Axle Spacer
3	81-14-A	2	Pin-Clinch	8	945-816	2	Plain Washer
4	65-516-16	2	Bolt - Hex. Hed. 5/16-18 x 1	9	368-816	2	Hex. Nut, Jam 1/2-20
5	365-516	2	Nut - Hex Lock 5/16-18				

**IMPORTANT!**

**ALWAYS GIVE THE FOLLOWING INFORMATION WHEN ORDERING REPAIR PARTS:**

- |                               |                        |
|-------------------------------|------------------------|
| 1. PART NUMBER (Not Ref. No.) | 3. DESCRIPTION OF PART |
| 2. QUANTITY NEEDED            | 4. MODEL NO. SU-8236   |

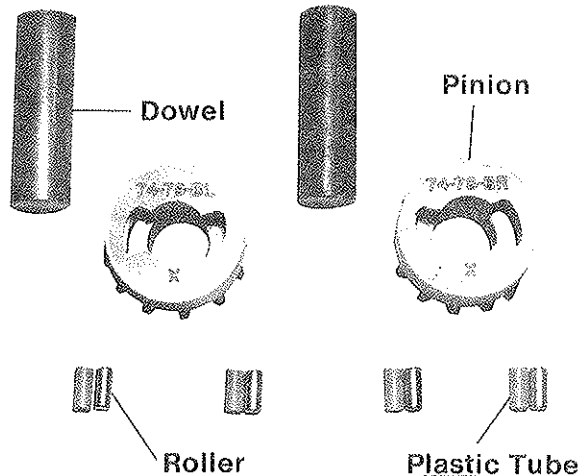
If unable to obtain parts locally, write down the above information and send to:  
**PARKER SWEEPER CO., Box 1728, Springfield, Ohio 45501-1728**

Your unit is right hand (R.H.) or left hand (L.H.) as you stand behind it.

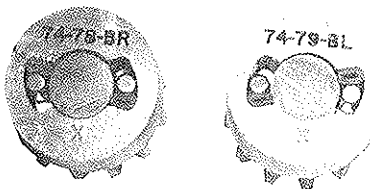
## HOW TO RE-INSTALL PINIONS IN MANUAL OR TRAILING SWEEPERS

If for some reason you have found it necessary to remove the pinions, you should carefully follow these instructions. All parts must be clean before assembling.

- (1) To assist you, we suggest using a piece of wood doweling or plastic material  $\frac{5}{8}$ " diameter, 2" long as shown. Each pinion is different as indicated by the part number and must be returned to the correct side of the shaft.

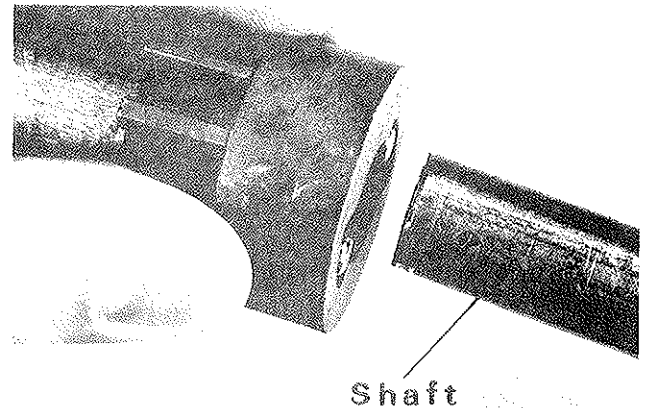


- (2) Insert the wooden dowel into the pinion.
- (3) Identify your pinion part number and insert the metal rollers. Place the plastic tubing in the cavity between the metal roller and the wall of the cavity. You may have to force the plastic tubing into this space but it is resilient and is supposed to fit tightly.

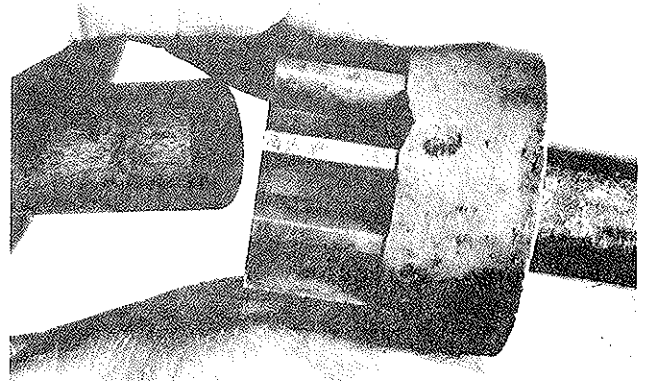


**NOTE!** The right and left side are determined from the operators position.

- (4) Pinion with part number **74-79 BL** is to be replaced on the **left side** of the shaft. Part number **74-78 BR** is for the **right side**. Line up the pinion (leaving the dowel in place) with the shaft as shown.

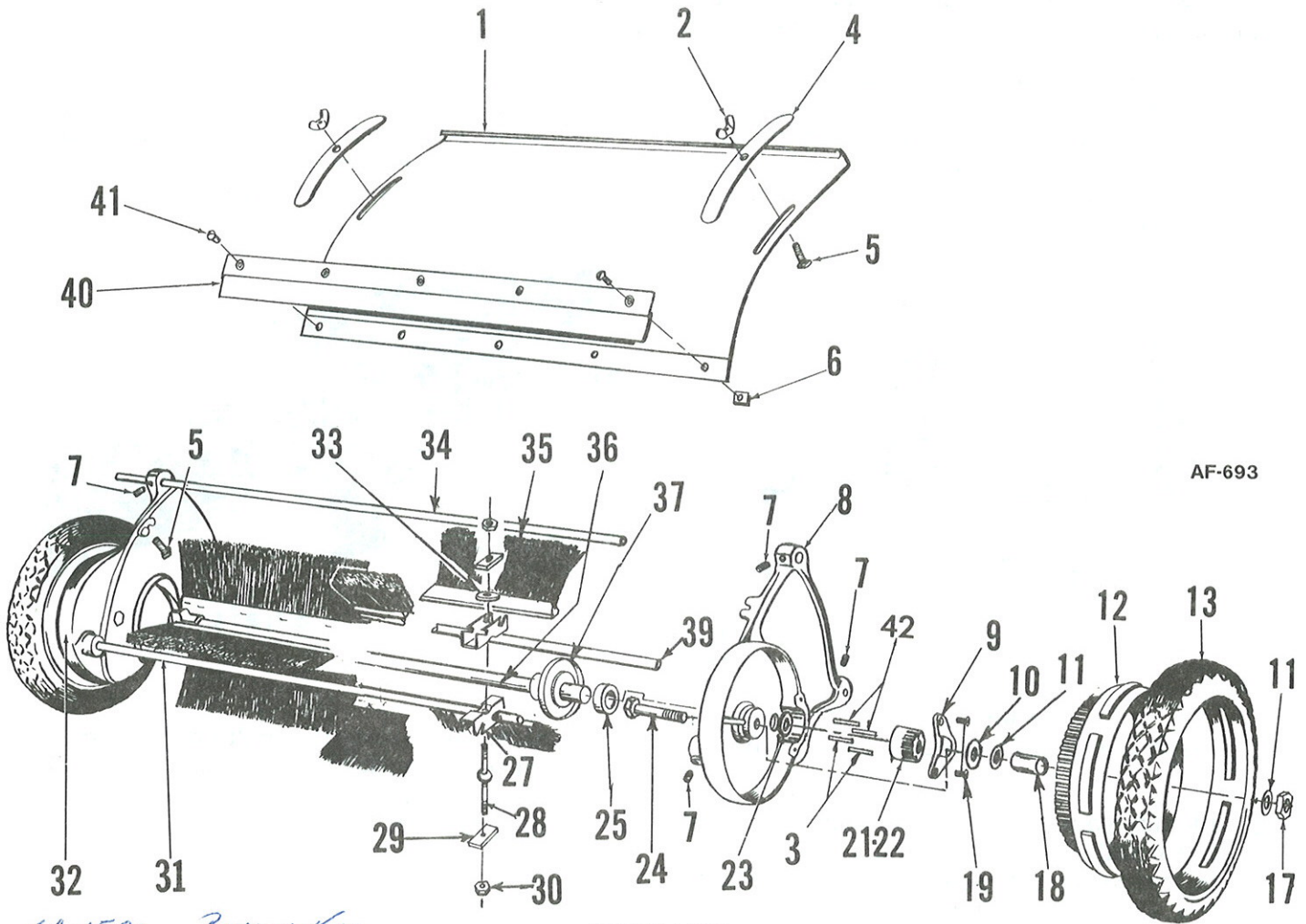


- (5) Push the pinion onto the shaft which will force the dowel to back out of the pinion. This will leave the rollers and plastic tubes in their proper position.



- (6) Apply a coating of grease on the outside of the wheel gear teeth. Do not grease inside pinion as this will cause pawl springs to be ineffective.

**SWEEPER UNIT ASSEMBLY**



AF-693

**PARTS LIST**

Ref. No.	Part No.	Qty. Per Unit	Description	Ref. No.	Part No.	Qty. Per Unit	Description
1	80-152-D <i>C</i>	1	Hood & Silkscreen	24	53-35-A	2	Axle
2	351-516-20	2	Wing Nut 5/16-18	25	68-60-A	2	Ball Bearing
3	76-37-A <i>*</i>	4	Pawl Spring	27	74-13-A	8	Brush Bracket
4	49-11-A	2	Hood Clamp	28	74-16-A	4	Brush Stud
5	65-516-12	2	Bolt, Hex Hd. 5/16-18 x 3/4	29	69-04-A	8	Brush Clamp
6	346-10	5	Speed Nut #10-24	30	362-416	8	Nut, Hex Lock 1/4-20
7	560-C-516-10	6	Set Screw 5/16-18 x 5/8	31	68-33-A	1	Front Tie Rod
8	78-339-LD	1	Left Hand Side Plate	32	76-338-RD	1	Right Hand Side Plate
9	80-01-B	2	Pinion Cover	33	75-89-A	4	Retainer
10	946-816-16	2	Fiber Washer	34	68-34-A	1	Top Tie Rod
11	58-05-A	4	Special Washer	35	1200-17-B	8	Brush Strip
12	58-14-D-1	2	Wheel	36	79-103-B	1	Reel Shaft
13	75-88-C	2	Tire	37	74-166-B	2	Dust Cover
17	326-816	2	Nut, Hex Thick 1/2-20	39	80-141-A	1	Adjusting Tube
18	58-06-C	2	Sleeve	40	68-37-B	1	Hood Extension
19	61-416-6	4	Bolt Hex. Hd. 1/4-20 x 3/8	41	515-10-8	5	Screw, Rd. Hd. Mach #10-24 x 1/2
21	<del>74-79-LB</del> <i>#</i>	1	Left Hand Pinion	42	<del>74-80-A</del> <i>#</i>	4	Pawl
22	<del>74-78-RB</del> <i>#</i>	1	Right Hand Pinion				
23	50-33-A	2	Special Washer				