



Electronic Service Manuals

This electronic document is provided as a service to our customers. We do not create the contents of the information contained in this document. Should you have detailed questions pertaining to the information contained in this document, you may contact Michco, or the manufacturer which provided the original information in this electronic deliverable. Michco's only part in this electronic deliverable was the electronic assembly process. By providing this manual on line we are not guaranteeing parts availability.

You may contact Michco through the following methods:

Phone (517) 484-9312 or (800) 331-3339

2011 N. High St. -- Lansing, Michigan -- 48906

Fax: (517) 484-9836

Email: CustServe@Michco.com

Web site: www.Michco.Com

Parts Web site: www.FloorMachineParts.Com

Order Parts on Line at:

www.FloorMachineParts.Com

Directly to Parts & Service:

By Email: **Shop@Michco.com**

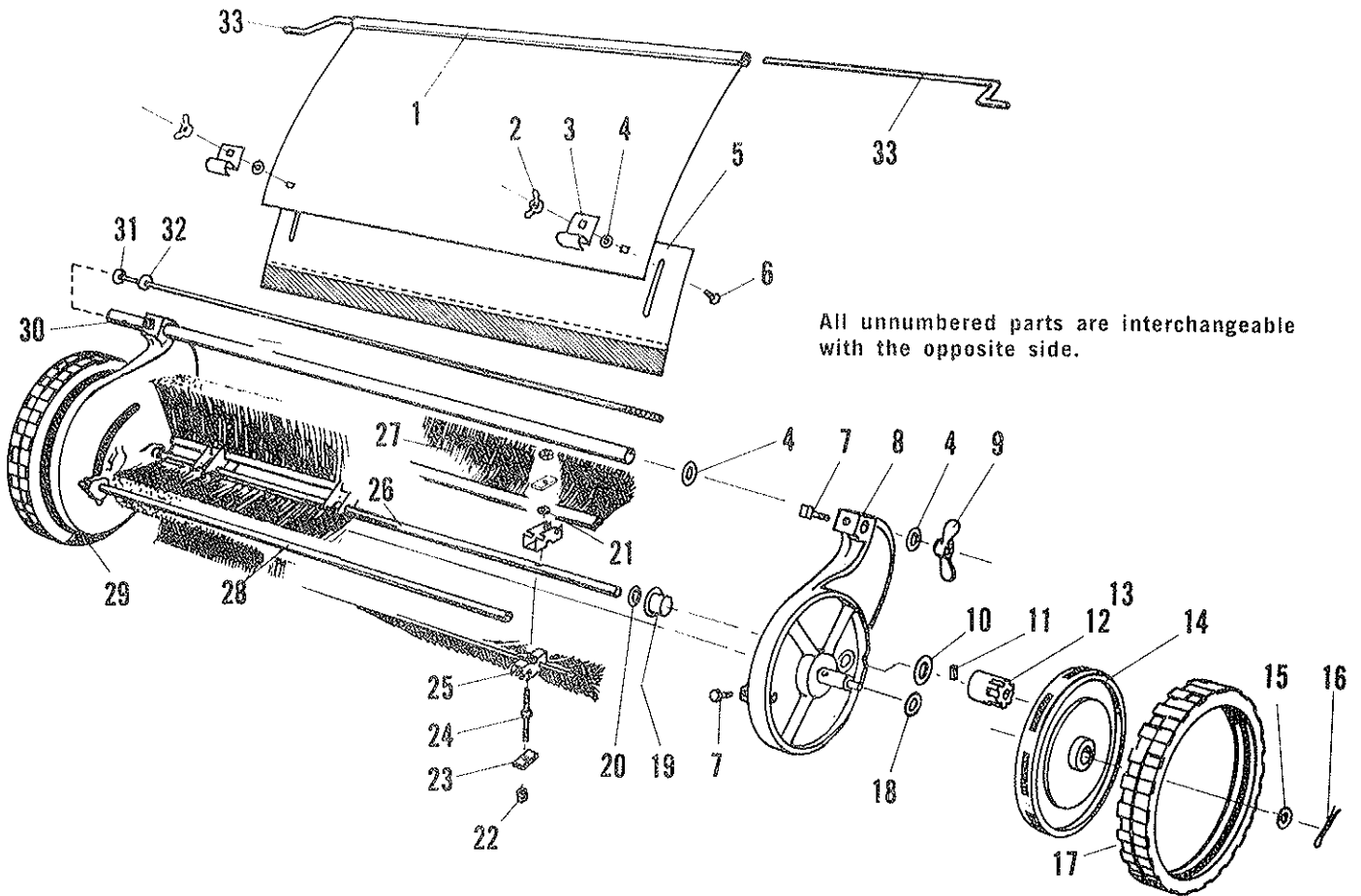
By Fax: (517) 702-2041

By Voice: Use numbers above.

Serving the Cleaning Industry Since 1922

Notice: All copyrighted material remains property of original owners, all trademarks are property of respective owners. Manuals are subject to Manufacturer's reproduction limitations. Originals or reproductions were provided by manufacturers through a request. We make no warranty as to the correctness of information provided in this document and you assume all risk. By placing these manuals on line we are not declaring our corporation to be an manufacturer authorized dealer or provider, please check our web site for authorized manufacturers we represent.

HS-7730 HITCH-N-SWEEP

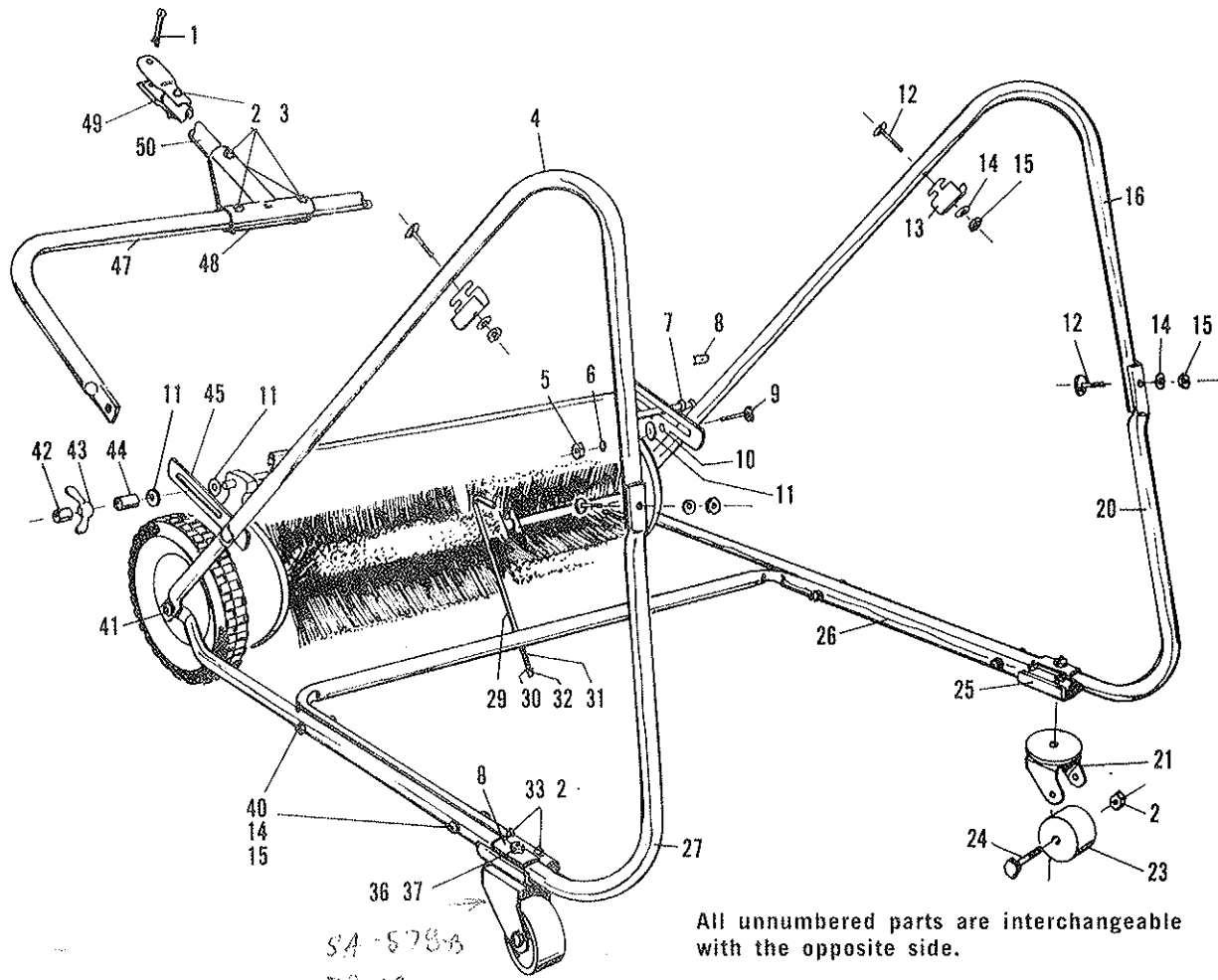


All unnumbered parts are interchangeable with the opposite side.

* SA-1583-B

PARTS LIST

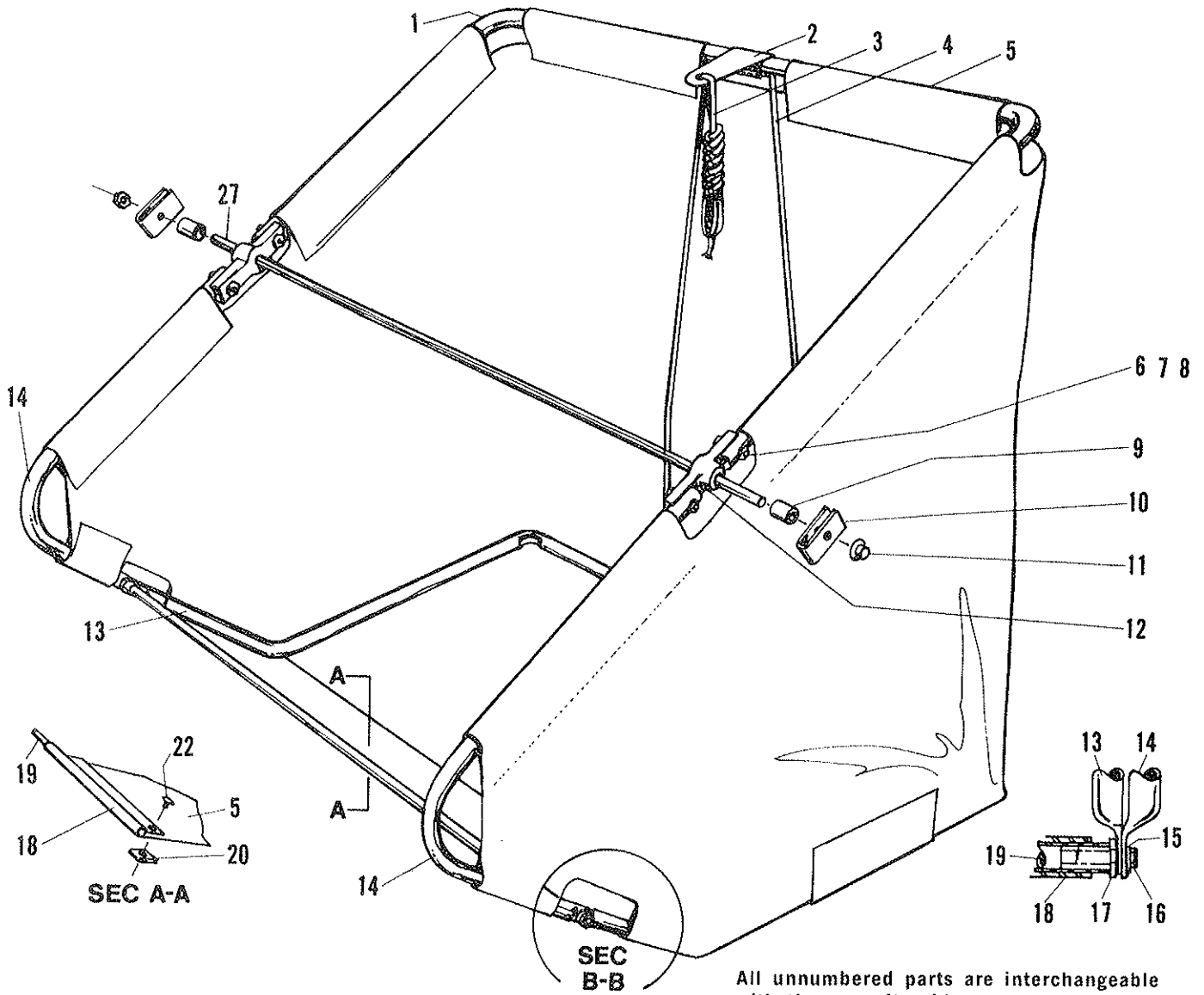
Ref. No.	Part No.	Qty. Per Unit	Description of Part	Ref. No.	Part No.	Qty. Per Unit	Description of Part
1	75-160	1	Hood 68-73-C 86-69-D	18	946-1216-24	2	Fiber Washer
2	351-16-18	2	Wing Nut 1/4-20	19	68-60-A	2	Ball Bearing
3	60-22-B	2	Hood Clamp	20	55-161-A	2	Special Washers
4	945-516	4	Plain Washer 5/16	21	75-89-A	4	Retainer
5	68-10-C	1	Hood Extension	22	362-416	8	Hexagon Lock Nut 1/4-20
6	70-416-12	2	Carriage Bolt 1/4-20 x 3/4	23	69-04-A	8	Brush Clamp
7	560-C-516-10	4	Set Screw 5/16-18 x 5/8	24	74-16-A	4	Brush Stud
8	68-04	1	Left Hand Side Plate 71-04-RD	25	74-13-C	8	Brush Bracket
9	73-71-A	1	Wing Nut 5/16	26	75-201-B	1	Reel Shaft
10	50-33-A	2	Special Washer	27	1200-14.5	8	Brush Strip
11	45-25-A	* 2	Pawl	28	62-04-A	1	Bottom Tie Rod
12	45-19-LA	* 1	Left Hand Pinion	29	68-03	1	Right Hand Side Plate 71-04-RD
13	45-18-RA	* 1	Right Hand Pinion	30	68-05	1	Adjusting Tube
14	49-377-C	2	Wheel	31	69-75-A	1	Adjusting Bolt
15	46-81-A	2	Special Washer	32	945-616	1	Plain Washer 3/8
16	380-432-16	2	Cotter Pin 1/8 x 1	33	68-14-A	2	Hood Control Rod
17	63-224-B	2	Tire				



All unnumbered parts are interchangeable with the opposite side.

PARTS LIST

Ref. No.	Part No.	Qty. Per Unit	Description of Part	Ref. No.	Part No.	Qty. Per Unit	Description of Part
1	74-75	1	Hitch Pin <i>81-14-A</i>	25	76-81-B	2	Caster Plate
2	365-416	8	Hexagon Lock Nut 1/4-20	26	76-307-B	1	Frame Support
3	65-416-24	4	Hexagon Cap Screw 1/4-20 x 1-1/2	27	76-306-LC	1	Lower Frame Left Hand
<i>SA-1457-C</i> 4	76-309-LC	1	Upper Frame Left Hand	29	76-255-A	1	Basket Stop
5	335-516	2	Hexagon Nut 5/16-18	30	945-416	1	Plain Washer 1/4
6	935-516	2	Spring Lock Washer 5/16	31	76-271-A	1	Compression Spring
7	945-616	1	Plain Washer 3/8"	32	75-89-A	1	Retainer
8	59-77-A	4	Tube Clamp	33	65-416-20	4	Hexagon Cap Screw 1/4-20 x 1-1/4
9	69-516-24	2	Contour Head Bolt 5/16-18 x 1-1/2	36	65-516-32	2	Hexagon Cap Screw 5/16-18 x 2
10	54-227-A	2	Spacer	37	365-516	2	Hexagon Lock Nut 5/16-18
11	945-516	4	Plain Washer 5/16	40	69-416-28	4	Contour Head Bolt 1/4-20 x 1-3/4
12	69-416-20	4	Contour Head Bolt 1/4-20 x 1-1/4	41	380-432-16	2	Cotter Pin 1/8 x 1
13	76-240-A	2	Pivot Bracket	42	69-75-A	1	Adjusting Bolt
14	935-416	8	Spring Lock Washer 1/4	43	73-71-A	1	Wing Nut 5/16-18
15	335-416	8	Hexagon Nut 1/4-20	44	53-08	1	Spacer <i>80-213-A</i>
16	76-308-RC	1	Upper Frame Right Hand	45	60-21-A	2	Brush Adjusting Bracket
20	76-305-RC	1	Lower Frame Right Hand	47	76-246-C	1	Yoke <i>83-23-L</i>
21	76-143	2	Fork Assembly <i>R/W 76-136-B + 78-130-A</i>	48	76-233-C	2	Tee Clamp
23	76-58-A	2	Roller	49	76-247-A	2	Clevis Lug
24	76-202-A	2	Axle	50	76-243-A	1	Tongue <i>89-103A</i>



All unnumbered parts are interchangeable with the opposite side.

PARTS LIST

Ref. No.	Part No.	Qty. Per Unit	Description of Part	Ref. No.	Part No.	Qty. Per Unit	Description of Part
1	76-319-B	1	Rear Basket Frame	12	69-62	2	Pivot Bracket <i>79-112-B</i>
2	76-252-A	1	Rope Clip	13	76-245	1	Lower Basket Frame <i>83-81-C</i>
3	60-09-A	1	Rope	14	76-295-B	2	Front Basket Frame
4	76-328-B	1	Basket Spring	15	935-516	2	Spring Lock Washer 5/16
5	76-329	1	Basket Sides and Bottom <i>SA-1178-C</i>	16	76-269-A	2	Lag Bolt 5/16 x 1-1/2
6	69-416-20	4	Contour Head Bolt 1/4-20 x 1-1/4	17	76-270-A	2	Insert
7	935-416	4	Spring Lock Washer 1/4	18	76-301-B	1	Basket Bottom Clamp <i>SA-1425-B</i>
8	335-416	4	Hexagon Nut 1/4-20	19	76-313-A	1	Basket Bottom Support
9	73-414-A	2	Spacer	20	346-416	4	Speed Nut 1/4
10	76-242-A	2	Pivot Latch	22	515-416-6	4	Machine Screw 1/4-20 x 3/8
11	76-254-A	2	End Cap	27	76-294-A	1	Pivot Rod

