



Electronic Service Manuals

This electronic document is provided as a service to our customers. We do not create the contents of the information contained in this document. Should you have detailed questions pertaining to the information contained in this document, you may contact Michco, or the manufacturer which provided the original information in this electronic deliverable. Michco's only part in this electronic deliverable was the electronic assembly process. By providing this manual on line we are not guaranteeing parts availability.

You may contact Michco through the following methods:

Phone (517) 484-9312 or (800) 331-3339

2011 N. High St. -- Lansing, Michigan -- 48906

Fax: (517) 484-9836

Email: CustServe@Michco.com

Web site: www.Michco.Com

Parts Web site: www.FloorMachineParts.Com

Order Parts on Line at:

www.FloorMachineParts.Com

Directly to Parts & Service:

By Email: **Shop@Michco.com**

By Fax: (517) 702-2041

By Voice: Use numbers above.

Serving the Cleaning Industry Since 1922

Notice: All copyrighted material remains property of original owners, all trademarks are property of respective owners. Manuals are subject to Manufacturer's reproduction limitations. Originals or reproductions were provided by manufacturers through a request. We make no warranty as to the correctness of information provided in this document and you assume all risk. By placing these manuals on line we are not declaring our corporation to be an manufacturer authorized dealer or provider, please check our web site for authorized manufacturers we represent.

ESTATE MASTER 3-GANG LAWN SWEEPER	SIZE 82"	PRODUCTION YEAR 1962-1963	MODEL No. EM-6282
--	--------------------	-------------------------------------	-----------------------------

ESTATE MASTER MODEL EM-6282

The Estate Master 3-gang sweeper consists of 3 standard Suburbanite SU-6230 models together with the hitch necessary for coupling the 3 units together.

ESTATE MASTER MODEL EM-6282 3-GANG HITCH ASSEMBLY — FIGURE 5

Ref. No.	Fig. No.	View Section	Part No.	Qty. Req.	Description
1	5		62-33-F	3	Unit Assembly Model SU-6230
2	5		62-72-D	1	Tongue Assembly — Front
3	5	E-E, G-G, H-H	58-104-D	1	Tongue
4	5	F-F, G-G	62-69-C	2	Brace
5	5	D-D, E-E, F-F	62-70-C	1	Bar - Draw
6	5	B-B, C-C	62-71-C	1	Link
7	5	A-A, C-C	58-111-C	1	Tongue Assembly — Rear
8	5	A-A, B-B, C-C, D-D	58-113-A	4	Pin - Coupling
9	5	B-B	65-516-20	2	Screw - Hex Head $\frac{5}{16}$ - 18 x $1\frac{1}{4}$
10	5	E-E, F-F, G-G, H-H	936-516	9	Washer - Lock $\frac{5}{16}$
11	5	E-E, F-F, G-G, H-H	335-516	9	Nut - Hex $\frac{5}{16}$ - 18
12	5	B-B	59-10-A	2	Bracket - Angle
13	5	D-D	58-115-A	2	Pin - Swivel
14	5	E-E, F-F, H-H	65-516-12	6	Screw - Hex Head $\frac{5}{16}$ - 18 x $\frac{3}{4}$
15	5	G-G	65-516-16	1	Screw Head $\frac{5}{16}$ - 18 x 1
16	5	H-H	58-107-D	1	Bracket - Hitch

ALWAYS GIVE THE FOLLOWING INFORMATION WHEN ORDERING REPAIR PARTS

1. Part Number, Quantity and Fig. No.
2. Model Number (found on L.H. Side Plate and Hood).
3. Year, Model, Serial Number (found on Guarantee Card).

Your unit is right hand (R.H.) or left hand (L.H.) as you stand behind it.

PARKER SWEEPER COMPANY

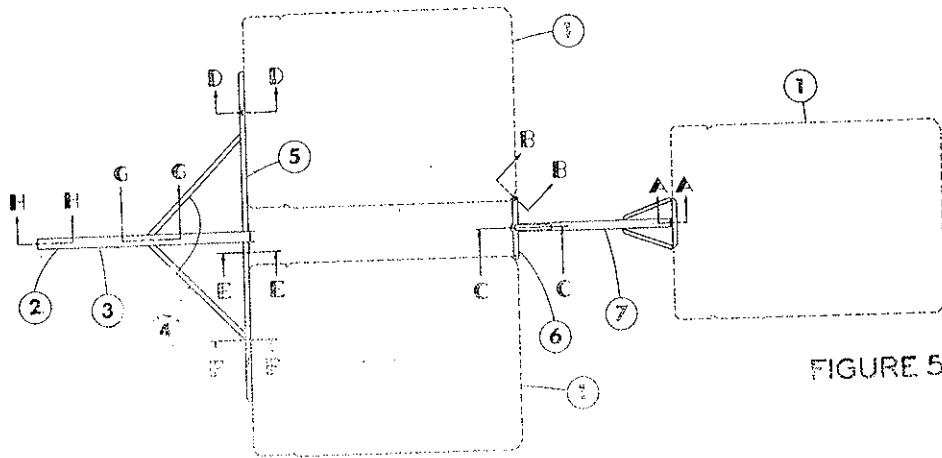
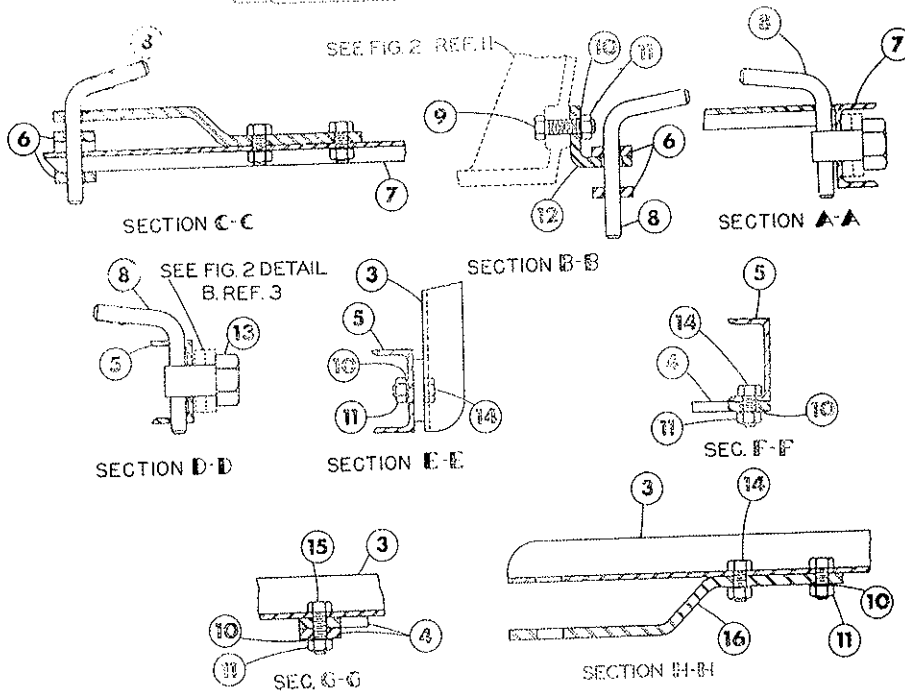


FIGURE 5



EM-6282

PARTS LIST — Figure 5

Ref. No.	Fig. No.	View Section	Part No.	No. Req.	Per Assy. Description
1	5		62-33F	3	Unit Assembly Model SU-6230
2	5		62-72D	1	Tongue Assembly — Front
3	5	E-E, G-G, H-H	58-104D	1	Tongue
4	5	F-F, G-G	62-69C	2	Brace
5	5	D-D, E-E, F-F	62-70C	1	Bar - Draw
6	5	B-B, C-C	62-71C	1	Link
7	5	A-A, C-C	58-111C	1	Tongue Assembly — Rear
8	5	A-A, B-B, C-C, D-D	58-113A	4	Pin - Coupling
9	5	B-B	65-516-20	2	Screw - Hex Head $\frac{5}{16}$ - 18 x $1\frac{1}{4}$
10	5	B-B, E-E, F-F, G-G, H-H	936-516	9	Washer - Lock $\frac{5}{16}$
11	5	B-B, E-E, F-F, G-G, H-H	335-516	9	Nut - Hex $\frac{5}{16}$ - 18
12	5	B-B	59-10A	2	Bracket - Angle
13	5	D-D	58-115A	2	Pin - Swivel
14	5	E-E, F-F, H-H	65-516-12	6	Screw - Hex Head $\frac{5}{16}$ - 18 x $\frac{3}{4}$
15	5	G-G	65-516-16	1	Screw Head $\frac{5}{16}$ - 18 x 1
16	5	H-H	58-107D	1	Bracket - Hitch

INSTRUCTIONS FOR ORDERING PARTS

1. Order all parts from your nearest Authorized Parker Service Station. Orders received at the factory will be referred to the nearest Authorized Parker Service Station.
2. Print your name and address clearly—state shipping address if different from mailing address.
3. Specify sweeper model number (found on hood) and length of brushes.
4. Give part number and name as shown on parts lists.
5. Specify quantity.
6. If a part cannot be identified, return it with your order. (Do not ship any parts to the factory.)

The words "right" and "left" refer to the sides of the sweeper when facing in the direction machine travels in use.

PARKER SWEEPER COMPANY

PARTS LIST — Figure 5— EM-6282

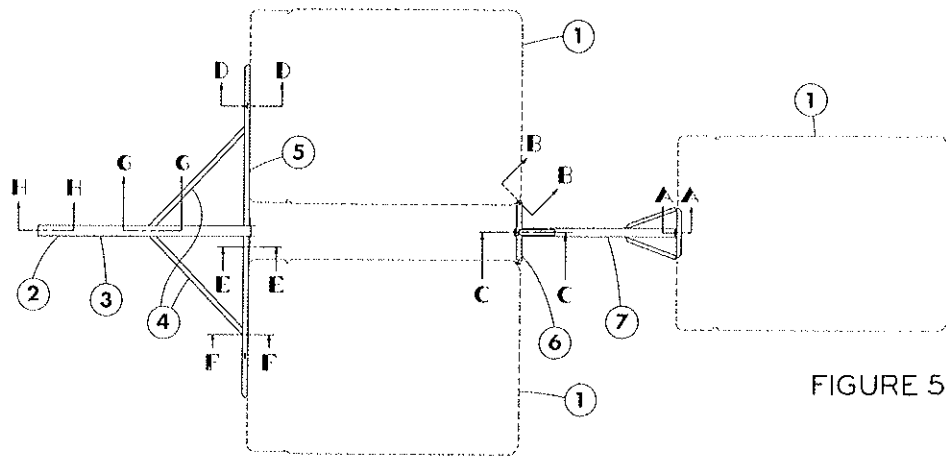
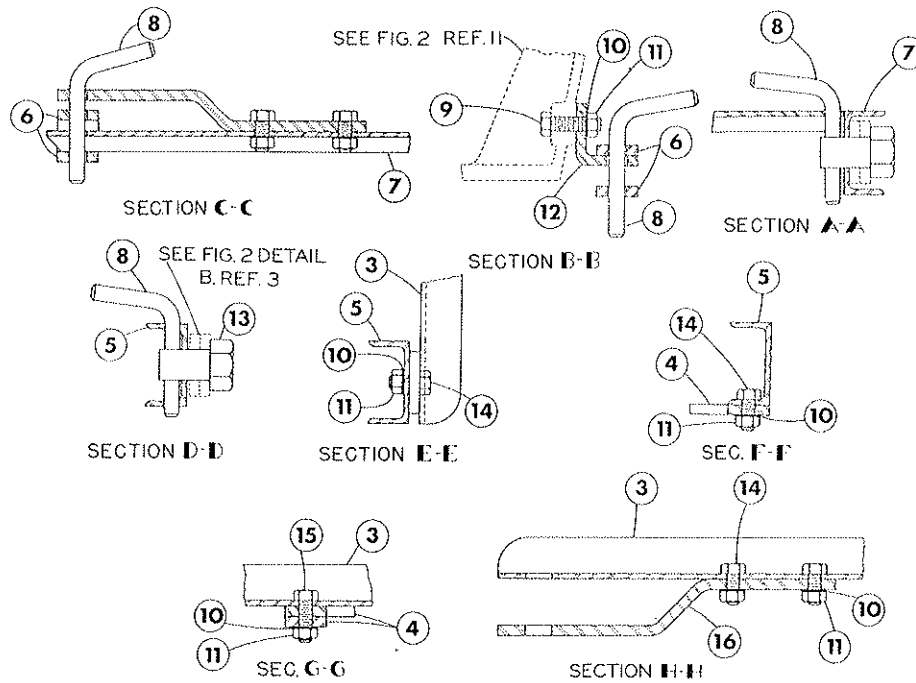


FIGURE 5



ASSEMBLY

The Estate Master 3-gang sweeper consists of 3 standard Suburbanite SU-6230 models together with the hitch necessary for coupling the 3 units together.

To assemble the Estate Master hitch, first attach the long curved tongue, Ref. 3 to the spreader bar, Ref. 5.

Next attach the two braces, Ref. 4, from the spreader bar to the tongue making certain that the rounded ends of the braces attach to the bottom side of the spreader bar.

Next connect the two sweepers to the spreader bar by means of the swivel pins, Ref. 13 and clevis pins, Ref. 8.

Then attach the double connector link, Ref. 6, to the two inside rear basket support brackets, as shown in Section BB - Fig. 5.

Attach the short tongue, Ref. 7, to the rear sweeper again by means of the swivel pin and clevis pin.

Finally, connect the rear unit to the double connector link by means of a clevis pin.

**See Suburbanite owners guide for maintenance and operation

ESTATE MASTER 3-GANG LAWN SWEEPER	SIZE 82"	PRODUCTION YEAR 1962-1963	MODEL No. EM-6282
--	--------------------	-------------------------------------	-----------------------------

ESTATE MASTER MODEL EM-6282

The Estate Master 3-gang sweeper consists of 3 standard Suburbanite SU-6230 models together with the hitch necessary for coupling the 3 units together.

**ESTATE MASTER MODEL EM-6282
3-GANG HITCH ASSEMBLY — FIGURE 5**

Ref. No.	Fig. No.	View Section	Part No.	Qty. Req.	Description
1	5		62-33-F	3	Unit Assembly Model SU-6230
2	5		62-72-D	1	Tongue Assembly — Front
3	5	E-E, G-G, H-H	58-104-D	1	Tongue
4	5	F-F, G-G	62-69-C	2	Brace
5	5	D-D, E-E, F-F	62-70-C	1	Bar - Draw
6	5	B-B, C-C	62-71-C	1	Link
7	5	A-A, C-C	58-111-C	1	Tongue Assembly — Rear
8	5	A-A, B-B, C-C, D-D	58-113-A	4	Pin - Coupling
9	5	B-B	65-516-20	2	Screw - Hex Head $\frac{3}{8}$ - 18 x 1 $\frac{1}{2}$
10	5	B-B, E-E, F-F, G-G, H-H	936-516	9	Washer - Lock $\frac{3}{8}$
11	5	B-B, E-E, F-F, G-G, H-H	335-516	9	Nut - Hex $\frac{3}{8}$ - 18
12	5	B-B	59-10-A	2	Bracket - Angle
13	5	D-D	58-115-A	2	Pin - Swivel
14	5	E-E, F-F, H-H	65-516-12	6	Screw - Hex Head $\frac{3}{8}$ - 18 x $\frac{3}{4}$
15	5	G-G	65-516-16	1	Screw Head $\frac{3}{8}$ - 18 x 1
16	5	H-H	58-107-D	1	Bracket - Hitch

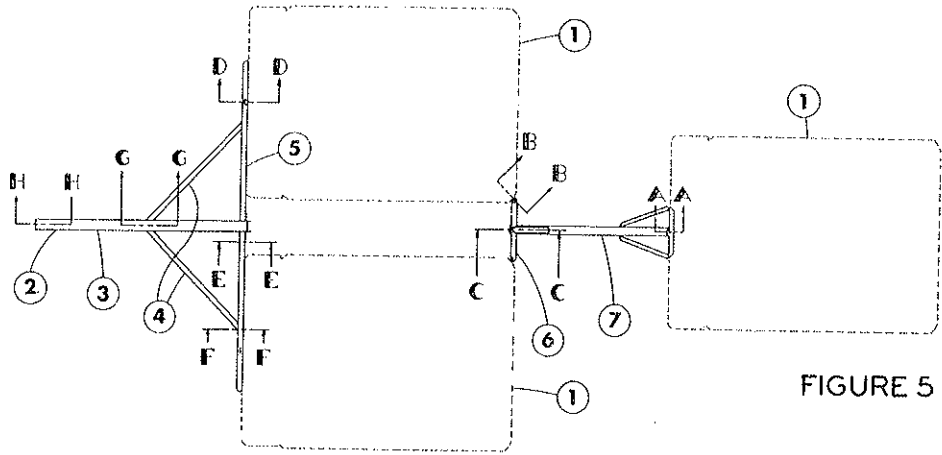
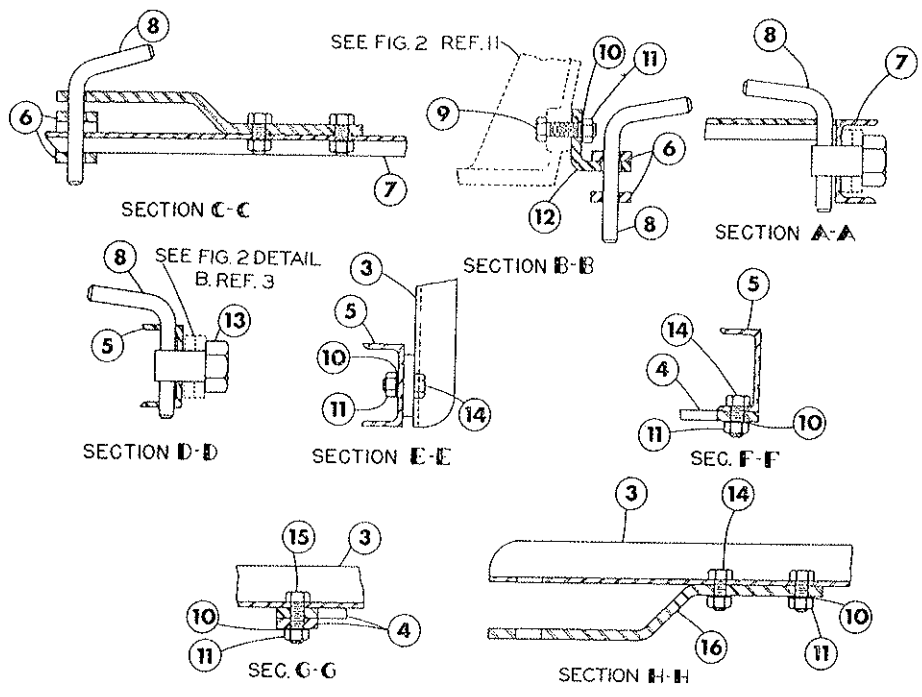


FIGURE 5



EM-6282