



Electronic Service Manuals

This electronic document is provided as a service to our customers. We do not create the contents of the information contained in this document. Should you have detailed questions pertaining to the information contained in this document, you may contact Michco, or the manufacturer which provided the original information in this electronic deliverable. Michco's only part in this electronic deliverable was the electronic assembly process. By providing this manual on line we are not guaranteeing parts availability.

You may contact Michco through the following methods:

Phone (517) 484-9312 or (800) 331-3339

2011 N. High St. -- Lansing, Michigan -- 48906

Fax: (517) 484-9836

Email: CustServe@Michco.com

Web site: www.Michco.Com

Parts Web site: www.FloorMachineParts.Com

Order Parts on Line at:

www.FloorMachineParts.Com

Directly to Parts & Service:

By Email: **Shop@Michco.com**

By Fax: (517) 702-2041

By Voice: Use numbers above.

Serving the Cleaning Industry Since 1922

Notice: All copyrighted material remains property of original owners, all trademarks are property of respective owners. Manuals are subject to Manufacturer's reproduction limitations. Originals or reproductions were provided by manufacturers through a request. We make no warranty as to the correctness of information provided in this document and you assume all risk. By placing these manuals on line we are not declaring our corporation to be an manufacturer authorized dealer or provider, please check our web site for authorized manufacturers we represent.

OWNERS GUIDE

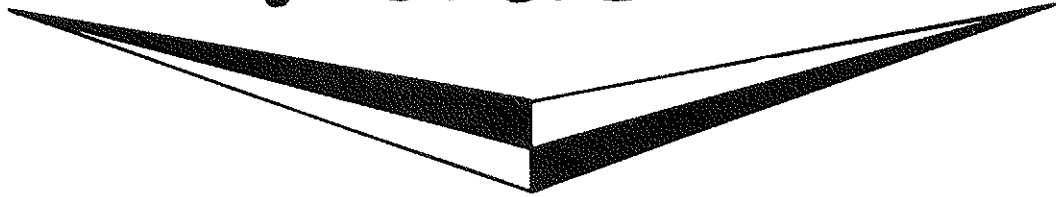


1884

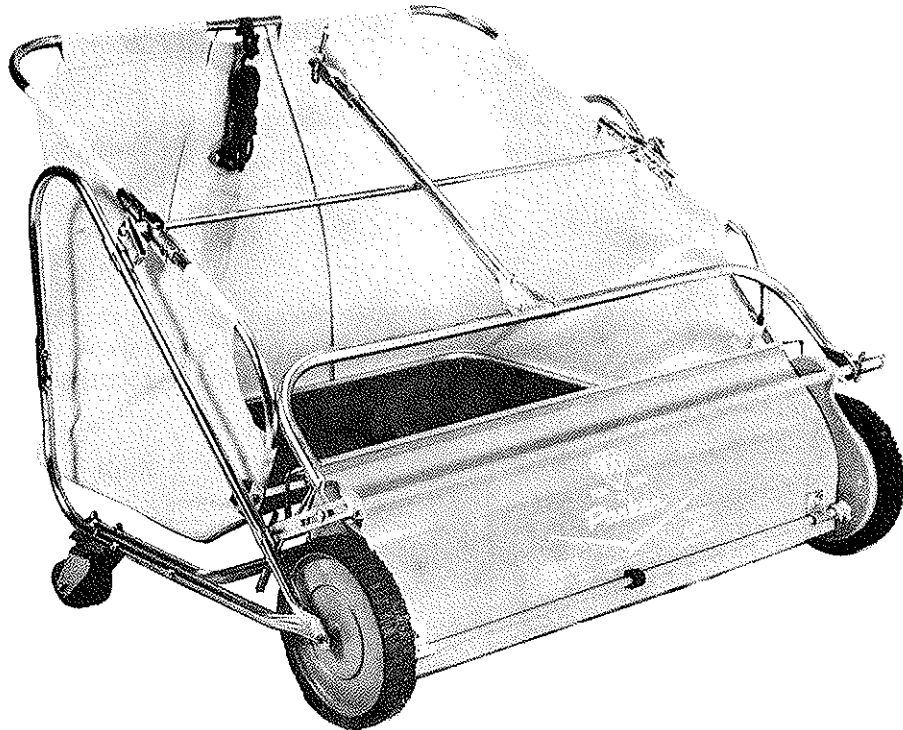
1984



Parker™



AS-8436 ARLINGTON

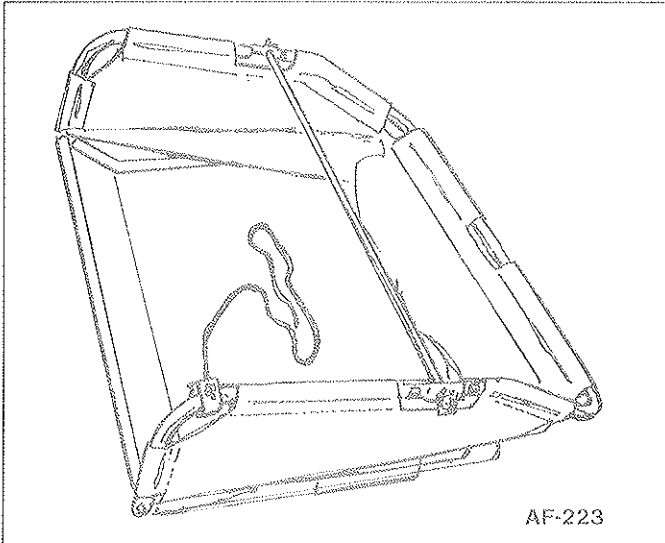


PARKER SWEEPER COMPANY Box 1728 Springfield, Ohio 45501

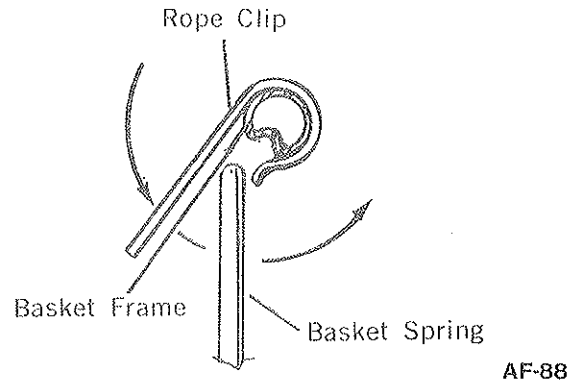
Plate No. 916

ASSEMBLY INSTRUCTIONS

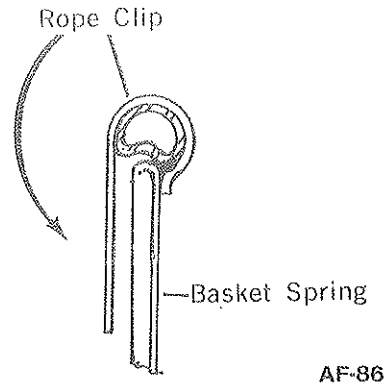
1. Remove unit from box. Do Not discard any inserts or packing until unit is completely assembled.
2. All hardware is on the unit in its proper location. If something is missing, notify the factory or local distributor to obtain parts needed.
3. Remove Basket Assembly from unit and place to one side.



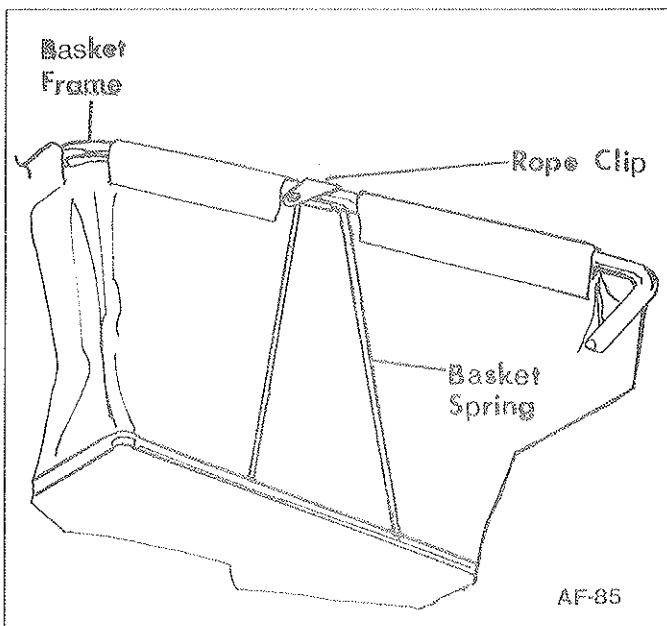
6. Place the Basket Spring in the two holes in the Lower Basket Frame and under the Rope Clip as shown.



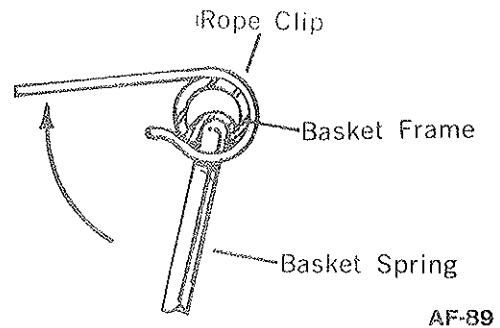
7. Push the Rope Clip down until the Spring snaps into the notch on the under side of the Upper Basket Frame.



4. Remove Rope Clip from the front corner of the Basket and clip it to the back of the Basket in the middle. Note: Be sure the rope is hanging inside the Basket.
5. Raise the upper Basket Frame until the sides of the Basket are taut.

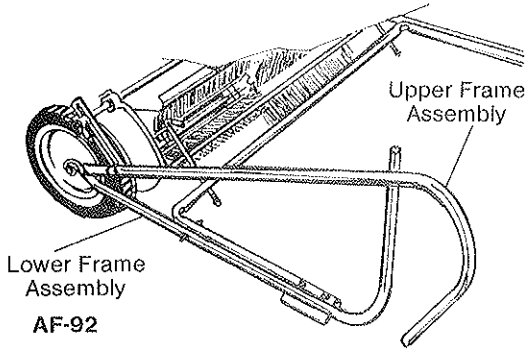


8. With the spring tightly in place, turn the rope clip to the up position as shown. Basket is now ready to be added to the Head and Frame Assembly.

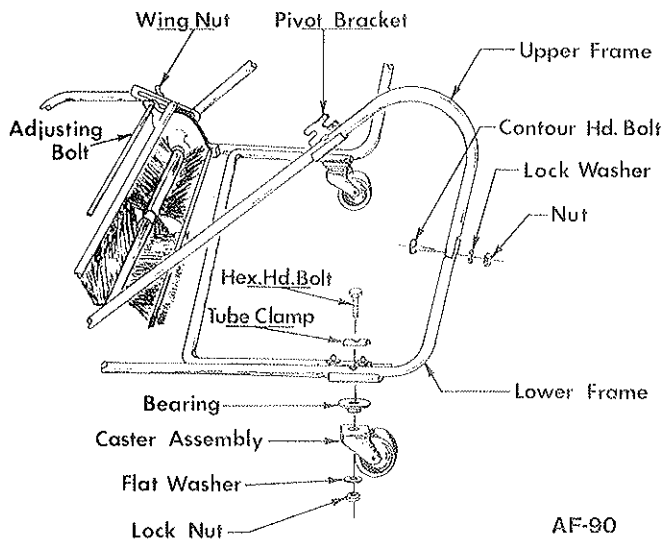


ASSEMBLY INSTRUCTIONS

The unit covered by this Owners Guide is shipped complete in one carton and will take a minimum amount of time and effort to assemble. Follow all assembly instructions very carefully. Whenever the terms left and right or L. and R. are used, it should be understood to mean from a position behind the unit in the direction of forward travel.



1. Raise the upper Frame Assembly until the holes in the Upper and Lower Assembly match.
2. Fasten the two Frames together with a 1/4 Contour Hd. Bolt, Lock Washer, and Hex Nut.
3. Repeat operation for opposite side.



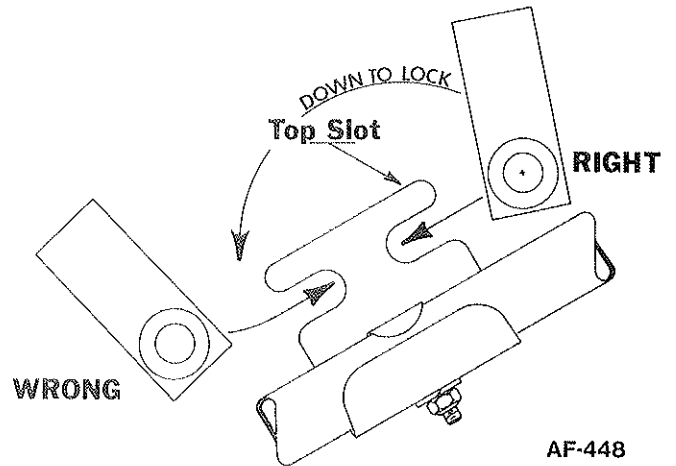
Caster Assembly

4. Loosen the 5/16 Wing Nut on the Adjusting Bolt.
5. Flip the yoke over so it's facing the front of the unit.
6. Remove the two Caster Assemblies from the yoke leaving the Hex. Hd. Bolt and Lock Nut in place in the yoke.
7. Remove the Hex. Hd. Bolt and Lock Nut from the rear of the Lower Frame.

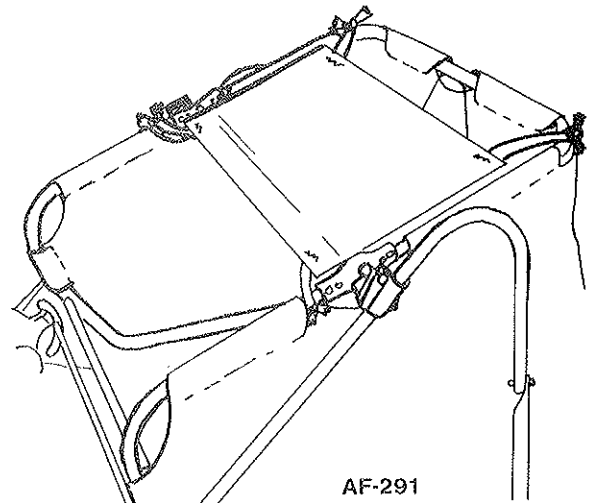
8. Add one Caster Assembly to the under side of the Lower Frame.
9. Insert the Hex. Hd. Bolt from the top through the Tube Clamp, Lower Frame, and Caster Assembly. Secure with the Lock Nut.
10. Be sure all washers and bearings are in their proper location.
11. Repeat 7 thru 10 for opposite side.

Attaching Basket

1. Now add Basket to Head and Frame Assembly.
2. Hold Pivot Latch on Basket in the up position while placing the Pivot Rod into the **TOP SLOT** of the Pivot Bracket.
3. The Pivot Latch should straddle the Pivot Bracket as shown.
4. Move the Pivot Latch forward over Pivot Bracket to lock into position.
5. Basket is now secured.



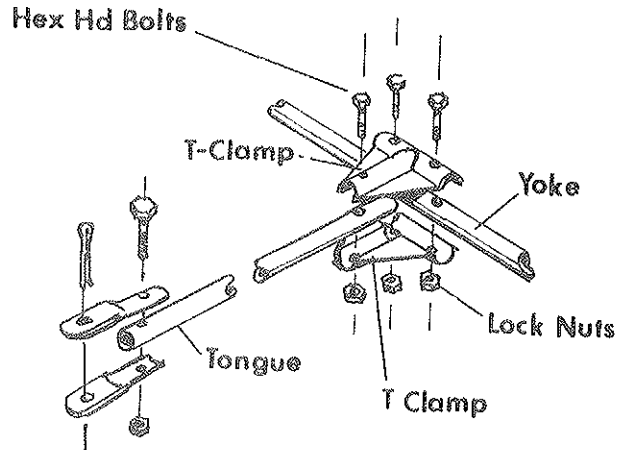
The Wind Apron is furnished with the unit. This is used to keep the sweepings in the basket on windy days or when sweeping at a fast speed. The Wind Apron is stretched across the basket and tied on the frame as shown at the top corner and middle at the pivot bracket.



HITCH ASSEMBLY

HITCH ASSEMBLY

Attach the two (2) T-Clamps to the yoke and tongue, using three (3) 1/4" hexagon head bolts and nuts. Please note that two of these three bolts were used to hold the caster in position for shipping.



AF-103

OPERATING INSTRUCTIONS

OPERATING SPEED

- Moving the sweeper forward rotates the brushes, propelling the leaves, clippings, etc., into Basket.
- Select a forward travel speed that provides efficient sweeping without throwing debris over the back of Basket.

CAUTION

- The Basket has been designed for holding a large capacity of dry grass clippings. When grass clippings are wet or freshly cut, caution should be exercised on the amount picked up. The Basket could be overloaded and make dumping difficult.
- DANGER:** Do not hold dumping rope in hand while towing. Secure loose end to tractor behind operator.
- CAUTION!** This sweeper is not designed to haul people, animals or equipment. Severe damage to the sweeper and possible injury to people or animals may result if this warning is ignored.
- NOTE:** When basket is empty caution must be taken on rough (uneven) terrain. Travel slowly to prevent possible upsetting of the sweeper (tipping forward) when moving over gravel driveways, rutted turf, curb areas, bits of broken tree limbs, twigs, mole runs or other interferences. Traveling too fast over rough areas may cause the sweeper wheels to be blocked causing the sweeper to upset.

DUMPING BASKET

- The load is dumped by pulling Basket forward with rope, causing Basket to pivot into a semi-inverted position. When load is discharged, allow rope and Basket to return to its normal position.

BRUSH HEIGHT ADJUSTMENT

- The most efficient operating height is when brushes just contact the top of the grass or make light contact with paved surfaces. When brushes are set too low, the sweeper will pull hard. This will lead to excessive brush wear and require premature brush replacement. Always have brushes in the raised position when transporting sweeper.

TO ADJUST BRUSHES

- To raise Brushes to extreme height, loosen the large Wing Nut, pull Sweeping Unit forward as far as slots in Brush Adjustment Brackets will permit. To lower Brushes to lowest position, push Sweeping Unit backwards as far as slots will permit. Secure Wing Nut when desired brush adjustment is obtained.
- For grass clippings or leaves, adjust Brushes to highest position. After trial run on lawn, should the setting be too high, lower slightly and try again until correct setting is found. Brush life may be prolonged by adjusting so contact with ground is light. The lighter the contact, the longer the wear and ease in pulling.
- REMEMBER:** Brushes set too low may cause the sweeper handle to pivot forward striking tractor or operator, resulting in damage to tractor or injury to operator.
- NOTE:** If the Brushes do not rotate and the Wheels slide when the Sweeper is being pulled, the Brushes are set too low.

BASKET CARE

- The Basket should always be emptied immediately after each time the Sweeper is used, especially if the grass or leaves are wet or damp. Allowing the Basket to keep dry will lengthen its service life.

OPERATING INSTRUCTIONS

HOOD CARE

- A. Wet grass clippings have a tendency to dry and adhere to the inner face of the Hood; it is important to keep this face clean for good sweeping action.
- B. Wipe hood with a soft cloth to clean.

TOWING THE SWEEPER

- A. Trailing type sweepers should not be towed while mowing, as the mowing speed is generally too slow for the sweeper to pick up grass, leaves, or debris and throw them into the back of the basket.
- B. Proper attention cannot be directed to both sweeping and mowing at the same time.

SWEEPING TIPS

- A. Use sweeper in early spring to give your lawn a healthful cleaning.
- B. Use your sweeper before mowing to pick up stones, sticks and other debris. This could save damage to mower and prevent personal injury. Sweeping will also stand turf on end for a clean even mowing.
- C. Use sweeper after mowing to remove turf clippings and give the lawn a blanket like effect.
- D. Sweep often in fall as leaves are dropping. Do not wait until leaves are all off trees.
- E. For best sweeping results keep lawn cut short. When sweeping turf clippings do not overload Basket. Turf clippings are heavy and overloading Basket will put unnecessary stress on Basket.
- F. To reduce the number of loads required when picking up leaves, it may be easier to mow over the leaf area at your normal mowing height before using the sweeper. The mowing will break up the leaves allowing them to compact when picked up with the sweeper. This may reduce your leaf loads to approximately one quarter the number required when picking up whole leaves.

CARE AND BRUSH REPLACEMENT

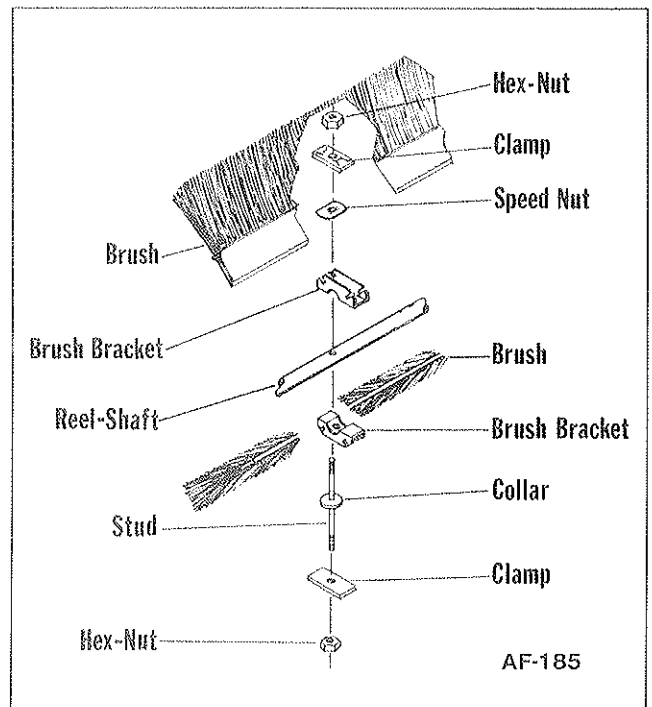
Should the bristles take a set from use, reverse the Brushes on the Reel Shaft. Never allow the Brush Bristles to remain in a bent position on any object for any length of time as they can take a set.

Brush Removal

- A. Turn the sweeper upside down on a workbench or the ground.
- B. Notice the brush stud has a collar fitting against one of the brush brackets holding it against the reel shaft.
- C. Remove the hex nuts and brush clamps from the end of the studs, on the sides with the collar.
- D. Remove the brushes from the brush bracket slots.
- E. Remove the hex nuts and brush clamps from the opposite end of the studs, but DO NOT remove the speed nut (this would allow the stud to fall out of reel shaft releasing the brush brackets).

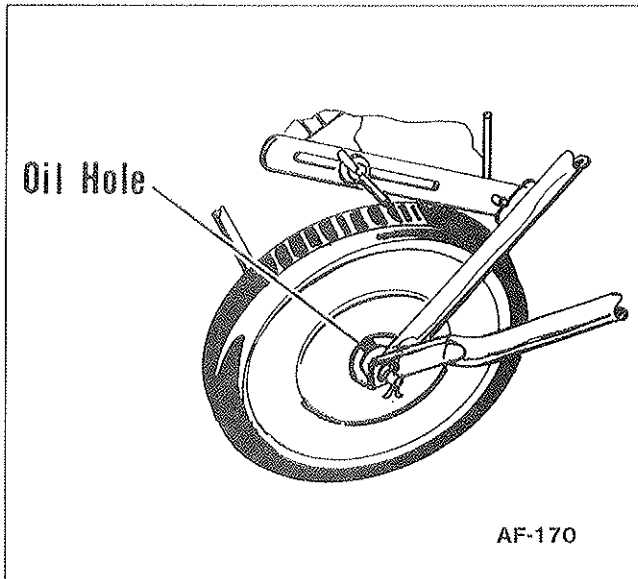
To Replace Brushes

- A. Turn the reel shaft so you can position the brush strips in the slots of the brush brackets that are held on the stud by the speed nut.
- B. Proper orientation of the brushes when re-assembled is to have the short reinforcement fibers behind (away from) the direction of rotation, with the longer fibers striking the material to be picked up, and the shorter fibers reinforcing the longer fibers. This produces a flipping action that propels the material to the back of the basket.
- C. Position the brush clamps and finger tighten hex nuts. Be sure brushes are all the way down in all the brush brackets.
- D. Space brushes evenly at the middle bracket so both brushes butted together will be held properly by the clamp.
- E. Turn the reel shaft so the installed brush strips are on the bottom.
- F. Repeat the sequence of installation for the remaining four brushes.
- G. Tighten all nuts.

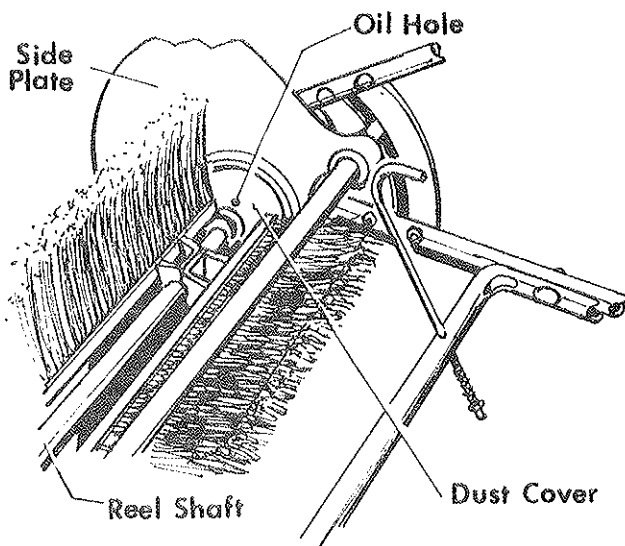


LUBRICATION

- A. Frequent lubrication of the Sweeper will lengthen the service life.
- B. Place a few drops of oil in the oil holes located in the Hub of each Wheel.
- C. Place a few drops of oil in the Swivel Bearings and Axle of the Casters every time the machine is used.



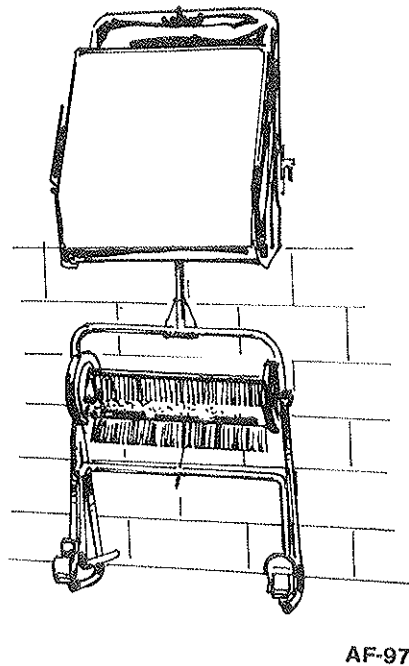
- D. Place a few drops of oil between the washer and bearing flange on the reel shaft inside the side plate on both sides. This should be done each time before the Sweeper is used.



- E. Before using the Sweeper the first time each season, remove both wheels and put a good grade of grease on the pinion gear and the gear of the wheel. Do not apply grease or heavy oil to pawl. This causes the pawl to stick and operate erratically.

STORAGE

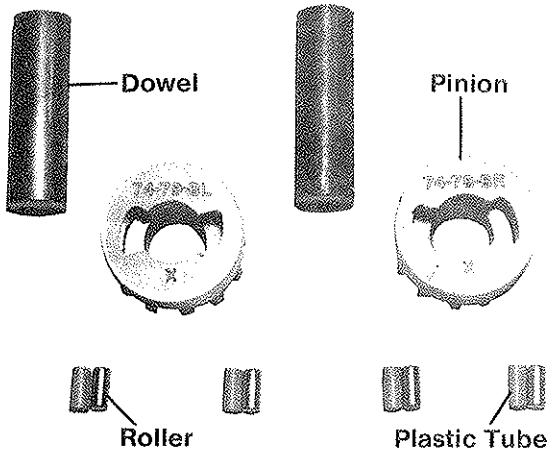
- A. Clean basket to remove clippings and debris.
- B. Wipe dirt and grease from the chassis. Repaint scratched areas and coat metal parts with oil to prevent rust.
- C. Store Sweeper in a dry area out of direct sunlight.
- D. Check sweeper parts for wear. Replace parts as necessary.
- E. Remove the basket assembly from the sweeper, release the basket spring and fold as shown below.
- F. Remove the bolts, washers and nuts holding the upper and lower frames together, and fold as shown.
- G. The drawing below shows the head assembly flat against a wall with the tongue tied to an anchor screw or nail in the wall. Tie a cord through the upper basket frame near the rope clip and hang it flat against the wall from an anchor screw or nail.



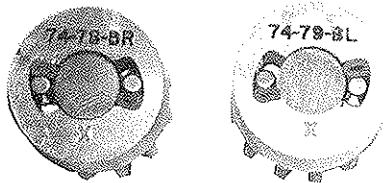
HOW TO RE-INSTALL PINIONS IN MANUAL OR TRAILING SWEEPERS

If for some reason you have found it necessary to remove the pinions, you should carefully follow these instructions. All parts must be clean before assembling.

- (1) To assist you, we suggest using a piece of wood doweling or plastic material $\frac{3}{8}$ " diameter, 2" long as shown. Each pinion is different as indicated by the part number and must be returned to the correct side of the shaft.

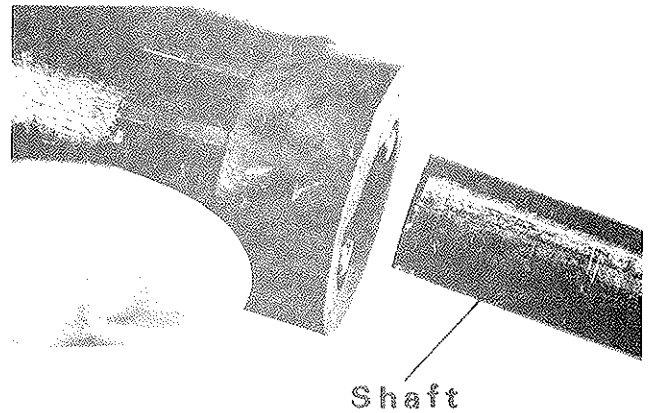


- (2) Insert the wooden dowel into the pinion.
- (3) Identify your pinion part number and insert the metal rollers. Place the plastic tubing in the cavity between the metal roller and the wall of the cavity. You may have to force the plastic tubing into this space but it is resilient and is supposed to fit tightly.

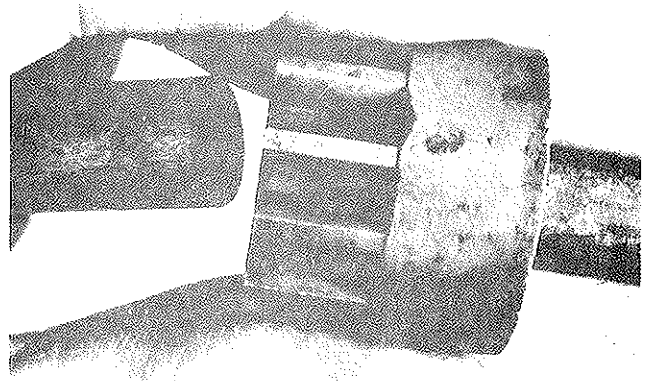


NOTE! The right and left side are determined from the operators position.

- (4) Pinion with part number 74-79 BL is to be replaced on the left side of the shaft. Part number 74-78 BR is for the right side. Line up the pinion (leaving the dowel in place) with the shaft as shown.

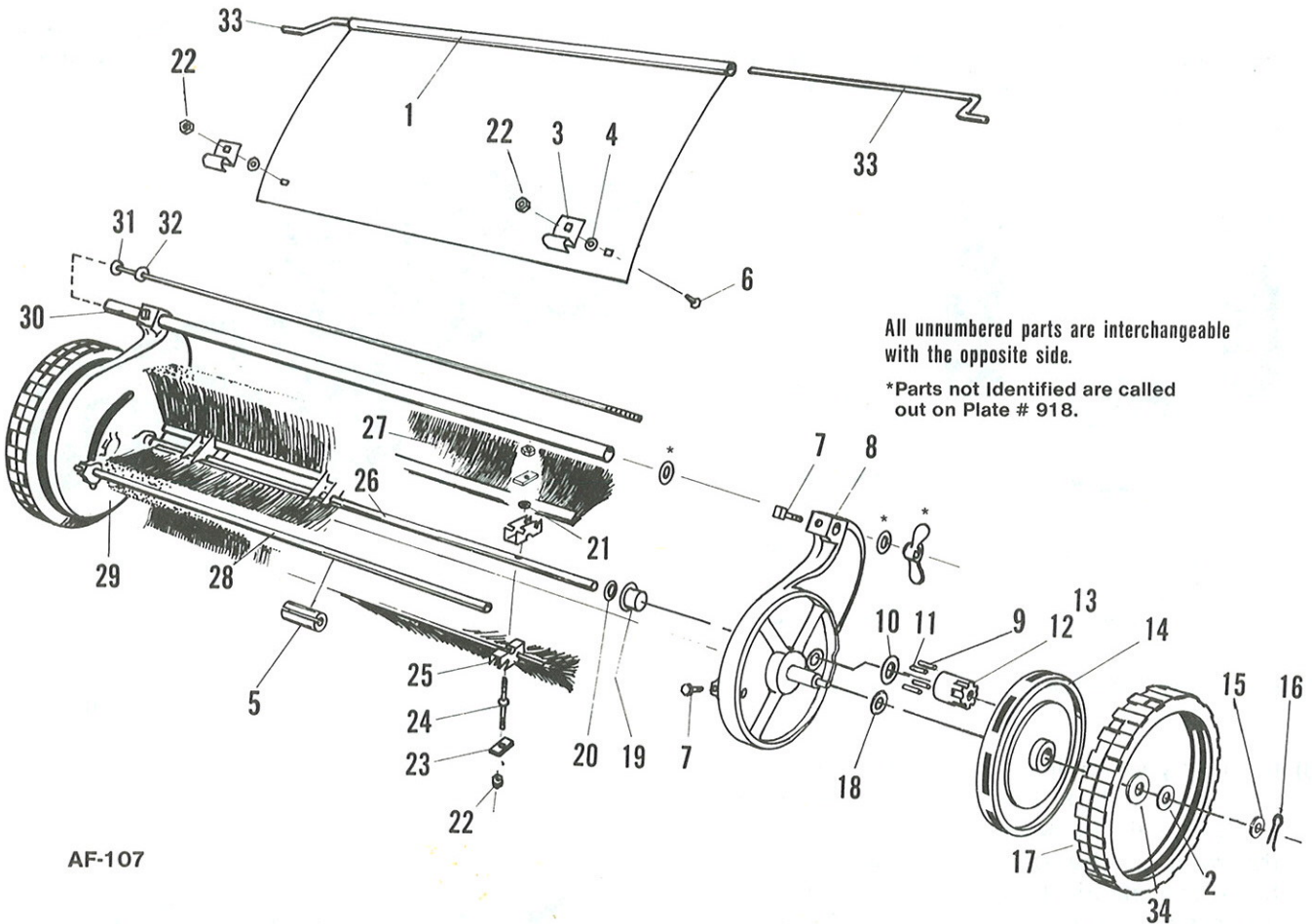


- (5) Push the pinion onto the shaft which will force the dowel to back out of the pinion. This will leave the rollers and plastic tubes in their proper position.



- (6) Apply a coating of grease on the outside of the wheel gear teeth. Do not grease inside pinion as this will cause pawl springs to be ineffective.

SWEEPER UNIT ASSEMBLY



AF-107

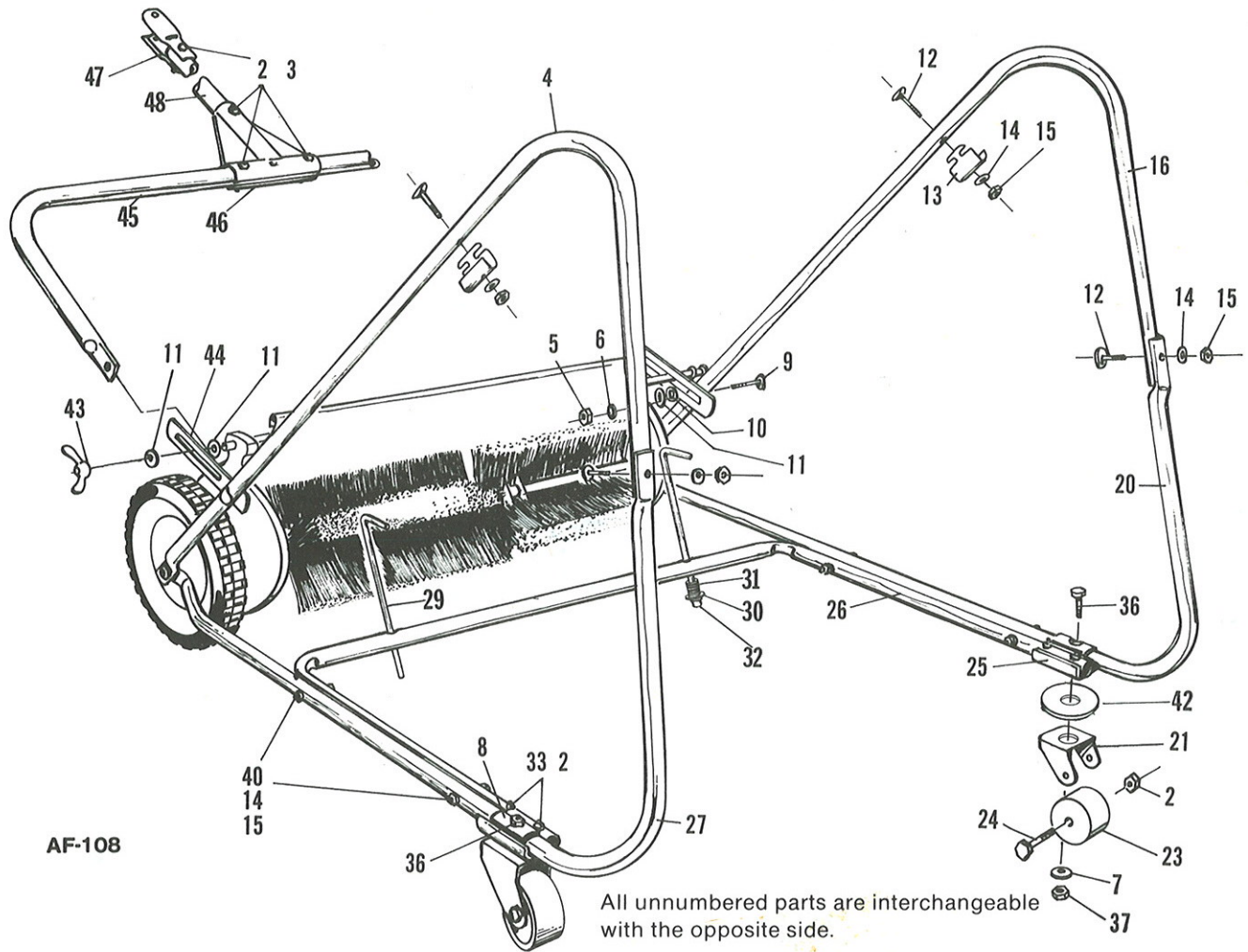
PARTS LIST

Ref. No.	Part No.	Qty. Per Unit	Description	Ref. No.	Part No.	Qty. Per Unit	Description
✓1	83-156-C	1	Hood	✓18	946-1216-24	2	Fiber Washer
✓2	71-37-A	2	Special Washer	✓19	68-60-A	2	Bearing - Flanged Radial
✓3	60-22-B	2	Hood Clamp	✓20	55-161-A	2	Special Washer
✓4	945-516	2	Plain Washer 5/16	✓21	75-89-A	4	Retainer
✓5	79-50-A	1	Hood Spacer	✓22	362-416	10	Hexagon Lock Nut, Serrated Flange 1/4-20
✓6	70-416-8	2	Carriage Bolt 1/4-20x1/2	✓23	69-04-A	8	Brush Clamp
✓7	560-C-516-10	4	Set Screw 5/16-18x5/8	✓24	74-16-A	4	Stud - Reel Shaft
✓8	71-05-LD	1	Left Hand Side Plate	✓25	74-13-C	8	Brush Bracket
✓9	76-37-A *	4	Pawl Spring	✓26	83-152-B	1	Reel Shaft
✓10	50-33-A	2	Special Washer	✓27	1200-18-B	8	Brush Strip
✓11	74-80-A *	4	Pawl	✓28	68-33-A	1	Tie Rod
✓12	74-79-LB *	1	Left Hand Pinion	✓29	71-04-RD	1	Right Hand Side Plate
✓13	74-78-RB *	1	Right Hand Pinion	✓30	83-163-A	1	Adjusting Tube
✓14	49-377-C	2	Wheel	✓31	83-164-A	1	Adjusting Bolt
✓15	46-81-A	2	Special Washer	✓32	945-616	1	Plain Washer 3/8
✓16	380-764-16	2	Cotter Pin 1/8 x 1	✓33	83-157-A	2	Hood Control Rod
✓17	78-124-C	2	Tire	✓34	946-816-16	2	Fiber Washer

SA-1580-B

Pinion Kit

FRAME ASSEMBLY



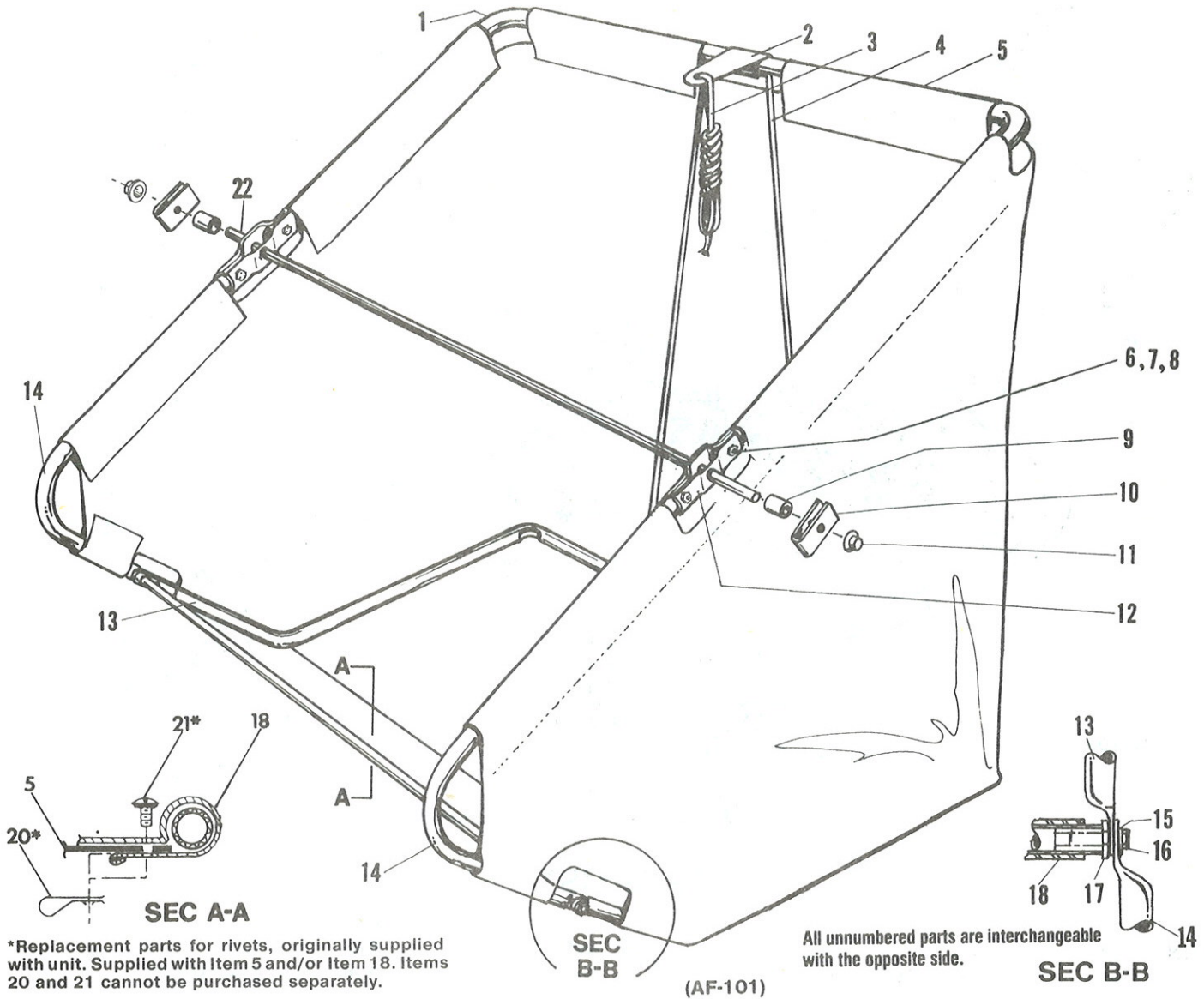
AF-108

PARTS LIST

Ref. No.	Part No.	Qty. Per Unit	Description of Part	Ref. No.	Part No.	Qty. Per Unit	Description of Part
✓1	81-14-A	1	Clinch Pin	✓24	76-202-A	2	Axle
✓2	365-416	10	Hexagon Lock Nut 1/4-20	✓25	76-81-B	2	Caster Plate
✓3	65-416-24	4	Hexagon Hd. Bolt 1/4-20x1 1/2	✓26	83-161-B	1	Frame Support
✓4	76-309-LC	1	Upper Frame Left Hand	✓27	76-306-LC	1	Lower Frame Left Hand
✓5	335-516	2	Hexagon Nut 5/16-18	✓29	76-255-A	2	Basket Stop
✓6	935-516	2	Spring Lock Washer 5/16	✓30	945-416	2	Plain Washer 1/4
✓7	50-230-A	2	Special Washer	✓31	76-271-A	2	Compression Spring
✓8	59-77-A	2	Tube Clamp	✓32	75-89-A	2	Retainer
✓9	69-516-24	2	Contour Hd. Bolt 5/16-18x1 1/2	✓33	65-416-20	4	Hexagon Hd. Bolt 1/4-20x1 1/4
✓10	54-227-A	2	Spacer	✓36	65-516-32	2	Hexagon Hd. Bolt 5/16-18x2
✓11	945-516	4	Plain Washer 5/16	✓37	365-516	2	Hexagon Lock Nut 5/16-18
✓12	69-416-20	4	Contour Hd. Bolt 1/4-20x1 1/4	✓40	69-416-28	4	Contour Hd. Bolt 1/4-20x1 3/4
✓13	76-240-A	2	Pivot Bracket	✓41	936-516	1	Lock Washer Int. Tooth
✓14	935-416	8	Spring Lock Washer 1/4	✓42	78-130-A	2	Bearing
✓15	335-416	8	Hexagon Nut 1/4-20	✓43	73-71-A	1	Wing Nut 5/16-18
✓16	76-308-RC	1	Upper Frame Right Hand	✓44	60-21-A	2	Brush Adjusting Bracket
✓20	76-305-RC	1	Lower Frame Right Hand	✓45	83-153-C	1	Yoke
✓21	76-136-B	2	Fork	✓46	76-233-C	2	Tee Clamp
✓23	76-58-A	2	Roller	✓47	76-247-A	2	Clevis Lug
				✓48	76-243-A	1	Tongue

89-103-A

BASKET ASSEMBLY



*Replacement parts for rivets, originally supplied with unit. Supplied with Item 5 and/or Item 18. Items 20 and 21 cannot be purchased separately.

PARTS LIST

Ref. No.	Part No.	Qty. Per Unit	Description	Ref. No.	Part No.	Qty. Per Unit	Description
1	83-154-B	1	Rear Basket Frame	13	83-151-C	1	Lower Basket Frame
2	76-252-A	1	Rope Clip	14	76-295-B	2	Front Basket Frame
3	60-09-A	1	Rope	15	935-516	2	Spring Lock Washer 5/16
4	83-33-B	1	Basket Spring	16	76-269-A	2	Lag Bolt 5/16 x 2 1/2
5	SA-1236-C	1	Basket Sides and Bottom	17	76-270-A	2	Insert
6	69-416-20	4	Contour Hd. Bolt 1/4-20 x 1 1/4	18	SA-1235-B	1	Basket Clamp Replacement
7	936-416	4	Intl. Tooth 1/4 Lock Washer	*20		5	Speed Nut 1/4-20
8	335-416	4	Hexagon Nut 1/4-20	*21		5	Machine Screw 1/4-20 x 3/8
9	73-414-A	2	Spacer	22	83-155-A	1	Pivot Rod
10	76-242-A	2	Pivot Latch	23	83-165-B	1	Wind Apron (Not Shown)
11	76-254-A	2	End Cap				
12	79-112-B	4	Pivot				

HOW TO ORDER REPAIR PARTS

The Model number will be found printed on the hood. .Always mention the Model number when requesting service or ordering repair parts for your Lawn Sweeper.

The parts list will note that some parts are for the right side of the sweeper and some are for the left side. .To determine the right and left side, stand behind your sweeper facing the direction the sweeper will move when in operation. .The left side of your sweeper is at your left, and the right side of the sweeper is at your right side.

All parts listed in this book may be ordered from any authorized "Parker" dealer..However, if the parts you need are not stocked locally, you may order from Parker Sweeper Company, P.O. Box 1728, Springfield, Ohio 45501.

WHEN ORDERING REPAIR PARTS, ALWAYS GIVE THE FOLLOWING INFORMATION:

1. .PART NUMBER (NOT THE REF. NO.)
2. .PART DESCRIPTION
3. .MODEL NUMBER (From the Hood)
4. .NAME OF THE SWEEPER

Order all parts from your nearest PARKER PARTS DISTRIBUTORS. If unable to locate the part from your Parts Distributor, forward your order to PARKER SWEEPER COMPANY for handling.

Hart-Greer, Inc.
900 N. 24th St.
BIRMINGHAM, AL 35203

Lawn & Garden Supply Co.
2222 N. 27th Ave.
PHOENIX, AZ 85017

H. V. Carter Company
1700 E. 14th St.
OAKLAND, CA 94606

Tarzana Mower & Engine
Parts, Inc.
6075 Reseda Blvd.
RESEDA, CA 91335

Colorado Outdoor Equip., Inc.
527 W. Evans
DENVER, CO 80223

Zaun Equipment, Inc.
1741 Hamilton St.
JACKSONVILLE, FL 32210

Florida Turf & Garden
7275 N.W. 64th St.
MIAMI, FL 33166

Zaun Equipment, Inc.
1140 S. Rio Grande Ave.
ORLANDO, FL 32805

De Bra Turf & Industrial Equip.
Co.
5921 N. Oak St.
HOLLYWOOD, FL 33021

De Bra Turf & Industrial Equip.
Co.
6025 U.S. Hwy. 301
TAMPA, FL 33610

Snapper Equipment Distributor
204 E. Buffalo Ave.
TAMPA, FL 33603

Lawn & Turf, Inc.
2570 Old Covington Hwy.
CONYERS, GA 30207

Tyner Distributing, Inc.
5437 Kendall St.
BOISE, ID 83706

Plante's Lawn Equipment, Inc.
4 Grant St.
NORTH AURORA, IL 60542

Davis Turf Products, Inc.
435 So. Wheeling Rd.
WHEELING, IL 60090

T. E. Booher & Sons
1009 W. State St.
ALBANY, IN 47320

Bruce Engine, Inc.
1791 N.W. 86th St.
DES MOINES, IA 50322

Morton B. Collins
300 Birnie Ave.
SPRINGFIELD, MA 01106

Frost Company
483 Wildwood St.
WOBURN, MA 01801

Frederick Trading Co.
7901 Trading Lane-Box 400
FREDERICK, MD 21701

Adams Equipment, Inc.
8001 Newell St.
SILVER SPRINGS, MD 20910

Ideal Mower Sales, Inc.
811 Woodward Heights
FERNDALE, MI 48220

Lorenz Service Company
2500 S. Pennsylvania Ave.
LANSING, MI 48910

Power Equipment Distributors,
Inc.
340 N. Hubbard
MT. CLEMENS, MI 48043

R. L. Gould Company
3711 N. Lexington Ave.
ST. PAUL, MN 55112

Hance Distributors
420 Excelsior Ave., W.
HOPKINS, MN 55343

Gunthers Service & Supply
7320 Wornall Rd.
KANSAS CITY, MO 64114

Henzler, Inc.
2015 Lemay Ferry Rd.
ST. LOUIS, MO 63125

Port Huron Machinery & Supply
801 Q St.
LINCOLN, NE 68508

George Smith & Sons, Inc.
322 Broadway
BETHPAGE, L.I., NY 11714

Grasslands Equip. & Irrigation
892 Troy Schenectady Rd.
LATHAM, NY 12110

Henry W. O'Neill & Associates,
Inc.
410 N. Goodman St.
ROCHESTER, NY 14609

The Messinger Company, Inc.
374 Avery St.
ROCHESTER, NY 14606

Smith Hardware Co.
515 No. George St.
GOLDSBORO, NC 27530

Hayward Distributing Co.
460 Neilston St.
COLUMBUS, OH 43215

Schroeder Sales & Service,
Inc.
1144 Harrison Ave.
HARRISON, OH 45030

Hershman's, Inc.
12477 Benner Rd.
RITTMAN, OH 44270

PARKER SWEEPER COMPANY
P. O. Box 1728
SPRINGFIELD, OH 45501
Phone: 513-323-4901

M. P. E. Sales, Inc.
25850 Chardon Rd.
CLEVELAND, OH 44143

Tri-County Sales & Service
15 North West Ave.
YOUNGSTOWN, OH 44502

Wait Sales Company
406-10 S. Peoria, Box 1015
TULSA, OK 74120

Baltz & Son Co.
9817 E. Burnside
PORTLAND, OR 97216

Monroe Machinery & Supplies,
Inc.
1421 S. E. Gidson St.
PORTLAND, OR 97242

Lawn & Golf Supply Co.
647 Nutt Rd.
PHOENIXVILLE, PA 19460

Gardenville Supply Co., Inc.
Route 611
PIPERSVILLE, PA 18947

Bluemont Co.
11125 Frankstown Rd.
PITTSBURGH, PA 15235

Niemeyer Corp.
1135 Phoenixville Pike,
Box 1477
WEST CHESTER, PA 19360

Fidelity Sales Corp.
6331 Baum Dr.
KNOXVILLE, TN 37919

Fidelity Sales Corp.
447 E. Market St.
KINGSPORT, TN 37662

Fidelity Sales Corp.
6044 Lee Highway
CHATTANOOGA, TN 37421

Goldthwaite's of Dallas, Inc.
2700 Forest Ln., Box 34660
DALLAS, TX 75234

Goldthwaite's of Ft. Worth
1401 Foch St.
FT. WORTH, TX 76107

Goldthwaite's of Houston, Inc.
220 Farris
HOUSTON, TX 77025

Goldthwaite's of Texas, Inc.
10751 Sentinel
SAN ANTONIO, TX 78217

Boyd Martin Company
1260 N. W. Temple
SALT LAKE CITY, UT 84116

Wetsel Seed Co.
941 N. Liberty
HARRISONBURG, VA 22801

The Bentley Company
4126 Airport Way, S.
SEATTLE, WA 98108

Northwest Mower, Inc.
926 N. 165th St.
SEATTLE, WA 98133

Interstate Radiator &
Lawn Mower Co.
1611 4th Ave.
CHARLESTON, WV 25312

Reinders Brothers, Inc.
13400 Watertown Plank Rd.
ELM GROVE, WI 53122

R. L. Gould
344 Berger St.
GREEN BAY, WI 54302

Van's Supply & Equip. Co., Inc.
2640 So. Ashland Ave.
GREEN BAY, WI 54303

Fallis Turf Equip., Ltd.
11951 Forge Place
RICHMOND, B.C., CANADA
V7A 4V9

Duke Lawn Equipment
1184 Plains Rd., East
BURLINGTON, ONTARIO,
CANADA L7S 1W6