



Electronic Service Manuals

This electronic document is provided as a service to our customers. We do not create the contents of the information contained in this document. Should you have detailed questions pertaining to the information contained in this document, you may contact Michco, or the manufacturer which provided the original information in this electronic deliverable. Michco's only part in this electronic deliverable was the electronic assembly process. By providing this manual on line we are not guaranteeing parts availability.

You may contact Michco through the following methods:

Phone (517) 484-9312 or (800) 331-3339

2011 N. High St. -- Lansing, Michigan -- 48906

Fax: (517) 484-9836

Email: CustServe@Michco.com

Web site: www.Michco.Com

Parts Web site: www.FloorMachineParts.Com

Order Parts on Line at:

www.FloorMachineParts.Com

Directly to Parts & Service:

By Email: **Shop@Michco.com**

By Fax: (517) 702-2041

By Voice: Use numbers above.

Serving the Cleaning Industry Since 1922

Notice: All copyrighted material remains property of original owners, all trademarks are property of respective owners. Manuals are subject to Manufacturer's reproduction limitations. Originals or reproductions were provided by manufacturers through a request. We make no warranty as to the correctness of information provided in this document and you assume all risk. By placing these manuals on line we are not declaring our corporation to be an manufacturer authorized dealer or provider, please check our web site for authorized manufacturers we represent.

OWNERS GUIDE



ARLINGTON

QUALITY LAWN PRODUCTS

TRAILING SWEEPER

MODEL AS-7525



-Plate No. 206-

4-22-75

ALWAYS GIVE THE FOLLOWING INFORMATION WHEN ORDERING REPAIR PARTS:

- | | |
|-------------------------------|------------------------|
| 1. PART NUMBER (Not Ref. No.) | 3. DESCRIPTION OF PART |
| 2. QUANTITY NEEDED | 4. MODEL No. AS-7525 |

If unable to obtain parts locally, write down above information and send to:
MIAMI INC.

Division of Parker Sweeper Company

P.O. BOX 295

SPRINGFIELD, OHIO 45501

Your unit is right hand (R.H.) or left hand (L.H.) as you stand behind it.

IMPORTANT

CARTON CONTENTS

When unpacking the Sweeper you will find the following items and assemblies.

Unit 1 SWEEPER UNIT ASSEMBLY

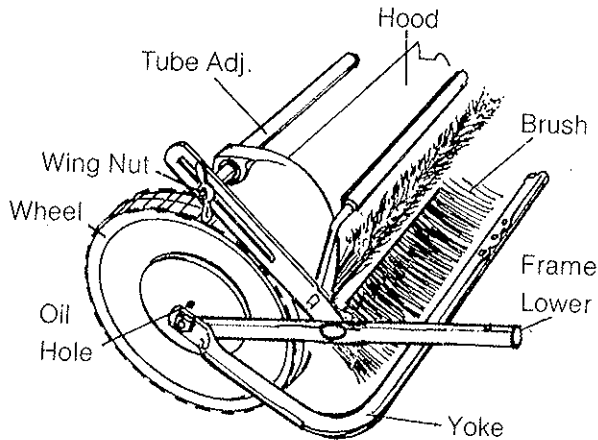


Figure 1

Unit 2 ROPE-TONGUE-TUBE SUPPORT-BRACE AND SPRING.

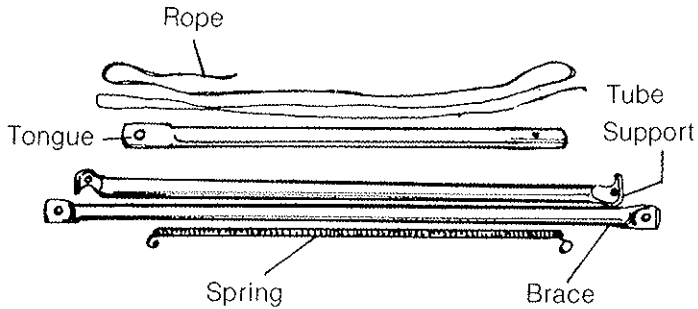


Figure 2

Unit 3 SUPPORT FRAME

(2) Assemblies

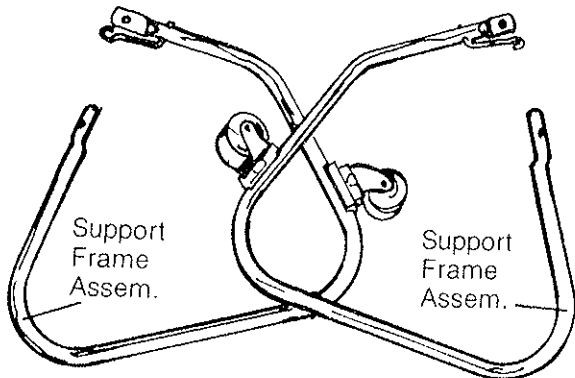


Figure 3

Unit 4 BASKET ASSEMBLY (Not Illustrated)

Unit 5 PLASTIC HARDWARE BAG

containing the following hardware.

5	65-416-10	Bolt Hex Hd. $\frac{1}{4}$ -20 x $\frac{5}{8}$
6	365-416	Hex Lock Nut $\frac{1}{4}$ -20
6	69-416-20	Bolt Cont. Hd. $\frac{1}{4}$ -20 x $1\frac{1}{4}$
6	335-416	Nut-Plain $\frac{1}{4}$ -20
	364-416	Nut Lock Thin $\frac{1}{4}$ -20
1	69-168-A	Eye Bolt
3	945-416	Washer - Flat $\frac{1}{4}$
6	936-416	Washer Int. Tooth Lock $\frac{1}{4}$
1	53-95-A	Pin Clevis
1	57-110-A	Pin - Cotter
1	65-416-24	Bolt-Hex Hd. $\frac{1}{4}$ -20 x $1\frac{1}{2}$
2	69-99-B	Clamp-Tongue

ASSEMBLY INSTRUCTIONS

- Fig. 1 - Set the Sweeper Head Assembly on the floor with the Yoke under the Brushes as shown. This will protect the Brushes from being flattened on the floor during assembly.

SUPPORT FRAME ASSEMBLY

- Fig. 4 & 5 - Fasten the Support Frame Assemblies to the Frame-Lower, with (1) $\frac{1}{4}$ -20 x $1\frac{1}{4}$ Cont. Hd. Bolt, Int. Tooth Lock Washer and Plain Nut, loosely, both sides, Ref. "A" location. Now remove the Cont. Hd. Bolt from the Frame-Lower, Adj. Bracket, Spacer, Flat Washer, Int. Tooth Lock Washer and Plain Nut, both sides. Place the Support Frame Assembly on the inside of the Frame-Lower, and replace the Cont. Hd. Bolt thru the Frame-Lower, Support Frame Assembly, Spacer, Adj. Bracket, Flat Washer, Int. Tooth Lock Washer and Plain Nut, both sides.

Check Bracket-Adj. to be sure it is free to move on the Spacer for Brush adjustment.

- Fig. 5 & 6 - Attach the Brace to the under side of both Support Frame Assemblies by using (2) Contour Hd. Bolts, (inserted from the top), (2) Int. Tooth Lock Washers and (2) Plain Hex Nuts. Now attach the Spring to the Hooks on the Support Frame Assembly. Now position the Yoke in front of the Wheels. Lay the Sweeper Unit on its side to do this, then return the Unit to its floor position.

ASSEMBLY INSTRUCTIONS

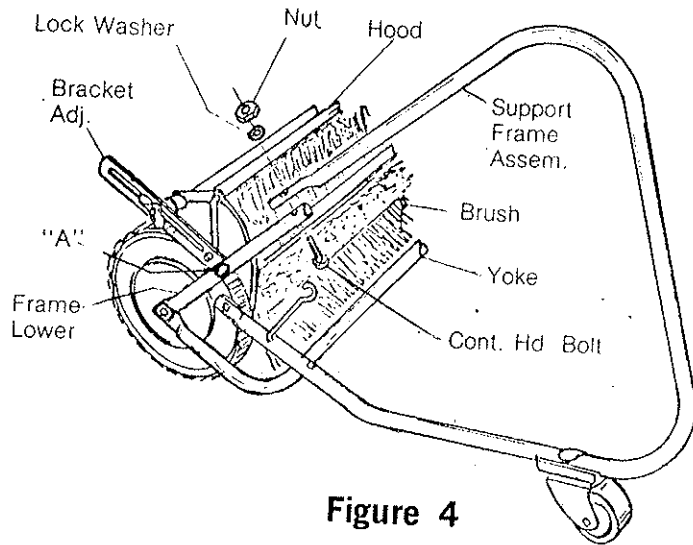


Figure 4

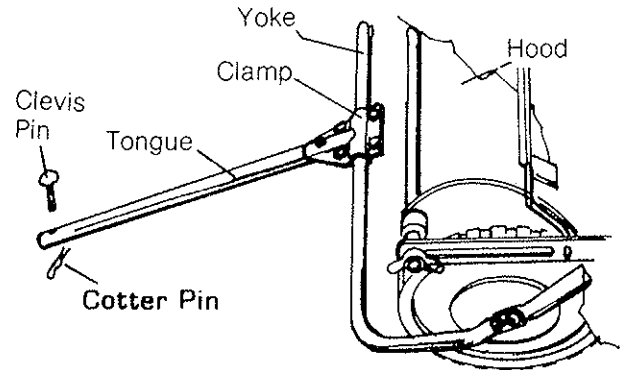


Figure 6

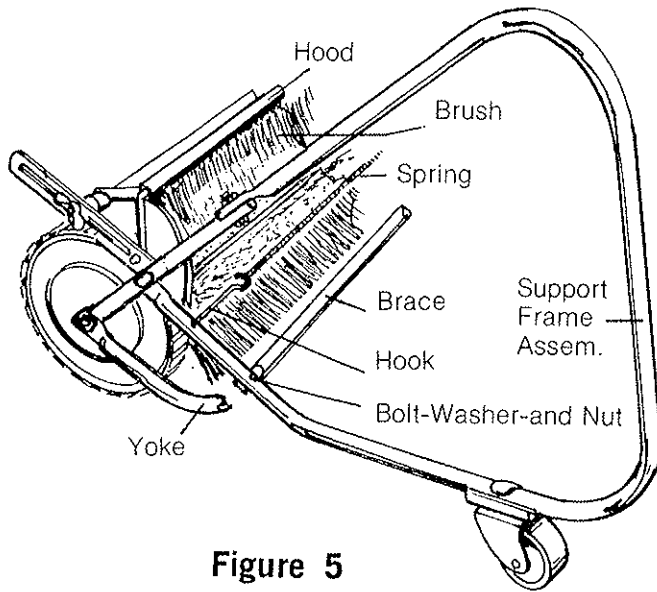


Figure 5

BASKET ASSEMBLY & TUBE SUPPORT

5. Fig. 7 & 13 - Fasten the Tube to the bottom of the Basket with a $\frac{1}{4}$ -20 x $\frac{5}{8}$ Hex Hd. Bolt, Flat Washer and Lock Nut. Now pull the Basket Frame up until it fits in the curve at the top of the Tube, then insert the Eye Bolt thru the Tube and the Basket Frame and fasten with the Lock Nut. Now tie the rope in the Eye Bolt.

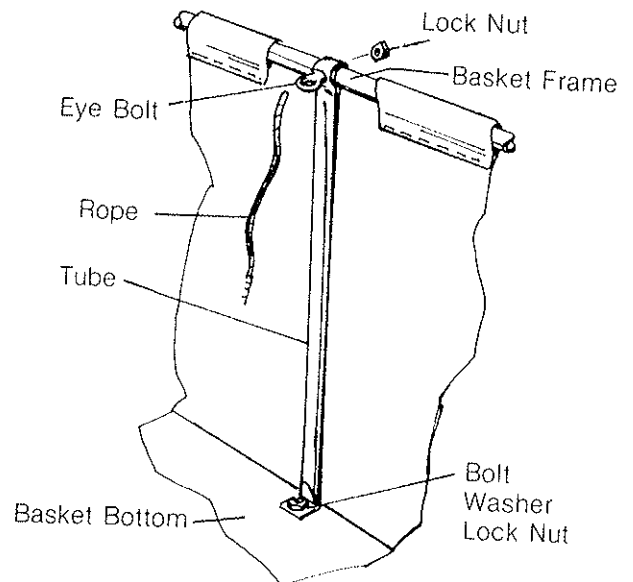


Figure 7

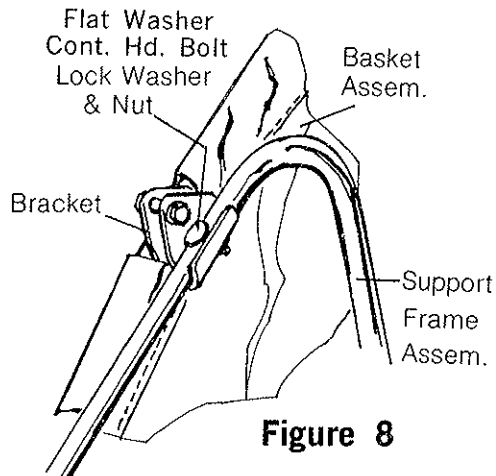
TONGUE ASSEMBLY

4. Fig. 6 - Place the 2 Clamps around the Yoke and fasten together loosely with (4) $\frac{1}{4}$ -20 x $\frac{5}{8}$ Hex Bolts and (4) Hex Lock Nuts. Now insert the Tongue between the (2) Clamps and use the $\frac{1}{4}$ -20 x $1\frac{1}{2}$ Bolt and Lock Nut to fasten to the (2) Clamps. Be sure the dimple in the Clamp is over the dimple in the Yoke, then tighten all Lock Nuts. Place the Clevis Pin thru the Tongue then insert the Cotter Pin in the Clevis Pin.

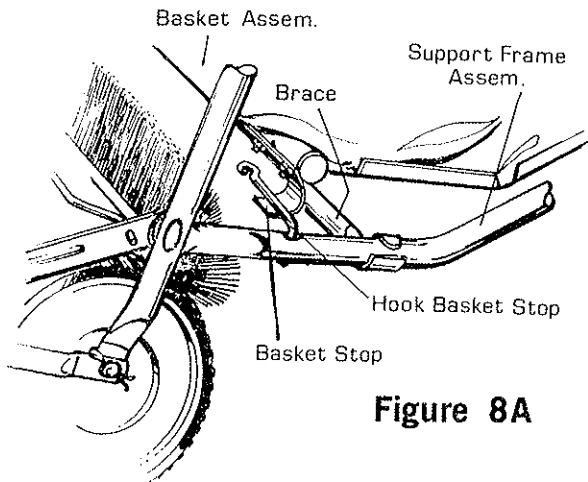
ASSEMBLY INSTRUCTIONS

BASKET ASSEMBLY TO SUPPORT FRAMES

6. Fig. 8 & 13 - Position the Basket Assembly between the Support Frames. Use (2) Contour Hd. Bolts $\frac{1}{4}$ -20 x $1\frac{1}{4}$ Washers (Internal Tooth Lock), Plain Washer and Hex Plain Nuts. Put the Bolt down thru the Support Frame Tube and center the Bracket which is on the bottom of the Support Frame Tube, then tighten in place with the Bolt, Washer and Nut (Both sides).



Next, check Basket Stop, Item 11, Fig. 13, to see if both sides make contact with the Stop Spring Hook, Item 24, Fig. 12. If relationship is not as shown in Fig. 8A - move Basket Assembly by loosening the Nuts under the Brackets on the Basket Assembly, slide the Basket Assembly up or down until both sides are in alignment, then tighten Nuts.



OPERATING INSTRUCTIONS

BRUSH HEIGHT ADJUSTMENT

Fig. 1 - Loosen the Wing Nut holding the Bracket-Brush Adj. on the Upper left side of the Hood. Take hold of the Tube-Adj. and move up or down to get the desired brush height then tighten the Wing Nut. The correct brush height is when the brush is just touching the top of the grass. After a trial run on the lawn, it may be necessary to adjust the brush setting.

NOTE - If the Brushes do not rotate and the Wheels slide when the Sweeper is being pulled, the Brushes are set too low.

CARE AND BRUSH REPLACEMENT

Should the bristles take a set from use, reverse the brushes on the reel shaft. Never allow the brush bristles to remain in a bent position on any object for any length of time as they can take a set.

TO REMOVE BRUSHES

Turn the Sweeper upside down on the ground. Notice the Stud has either 2 swage bumps or a collar against the Brush Bracket holding it against the Reel Shaft.

Fig. 9 - Remove the Hex Nuts, Washers and Clamps from the Stud on the end having the 2 swage or collar. Remove the Brushes from the Brush Bracket slots, (3 places). Now remove the Hex Nuts, Washers and Clamps from the opposite end of the Studs. Do not remove the Speed Nuts or the Studs will fall away from the Reel Shaft (3 places).

TO REPLACE BRUSHES

Fig. 9 - Turn the Reel Shaft so you can position the Brush Strips in the slots on the Brush Bracket that are being held on the Stud and Shaft by the Speed Nut. Position the Clamps, Washers and Hex Nuts, center the Brush Strips between the Side Plates, then tighten the Hex Nuts.

Turn the Reel Shaft so the Brushes are on the bottom side. Now place the Brush Strips in the slots on the Brush Brackets, on the top side. Position the Clamps, Washers and Hex Nuts. Center the Brush Strips between the Side Plates, then tighten the Hex Nuts.

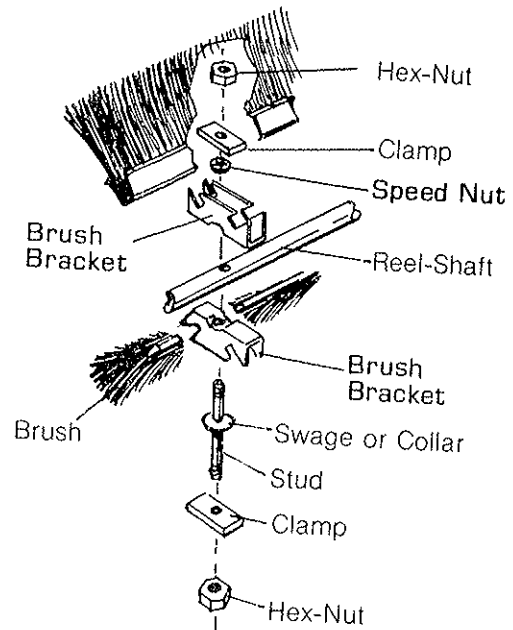


Figure 9

BASKET CARE

The Basket should always be emptied immediately after each time the Sweeper is used, especially if the grass or leaves are wet or damp. Allowing the Basket to keep dry will lengthen its service life.

HOOD CARE

Wet grass clippings have a tendency to dry and adhere to the inner face of the Hood; it is important to keep this face clean for good sweeping action.

OPERATING INSTRUCTIONS

LUBRICATION

Frequent lubrication of the Sweeper will lengthen the service life.

Fig. 1 & 10 - Place a few drops of oil in the oil hole located on the hub of each wheel and between the Washer and Bearing Flange on the Reel Shaft inside the Side-Plate (Both Sides). This should be done each time before the Sweeper is used.

Before using the Sweeper the first time each season, remove both Wheels and put a good grade of grease on the Pinion Gear and the gear of the Wheel.

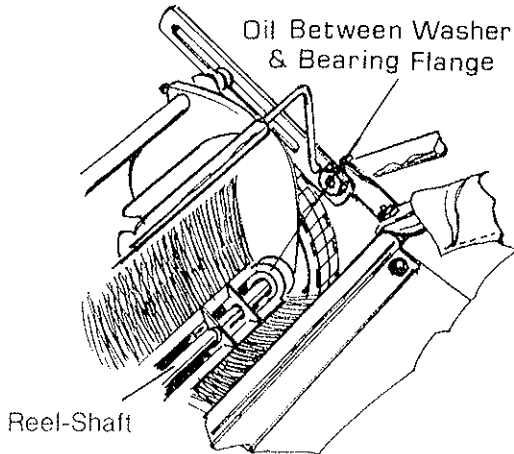


Figure 10

Fig. 10A - Be sure the Pawls and Pinion Gears are in place correctly before putting the Wheels back on. Both the Left and Right Pawl must be turning the same direction. When the Pawls are installed correctly, the top of the Reel Shaft will rotate toward the operator when the Sweeper is pushed forward.

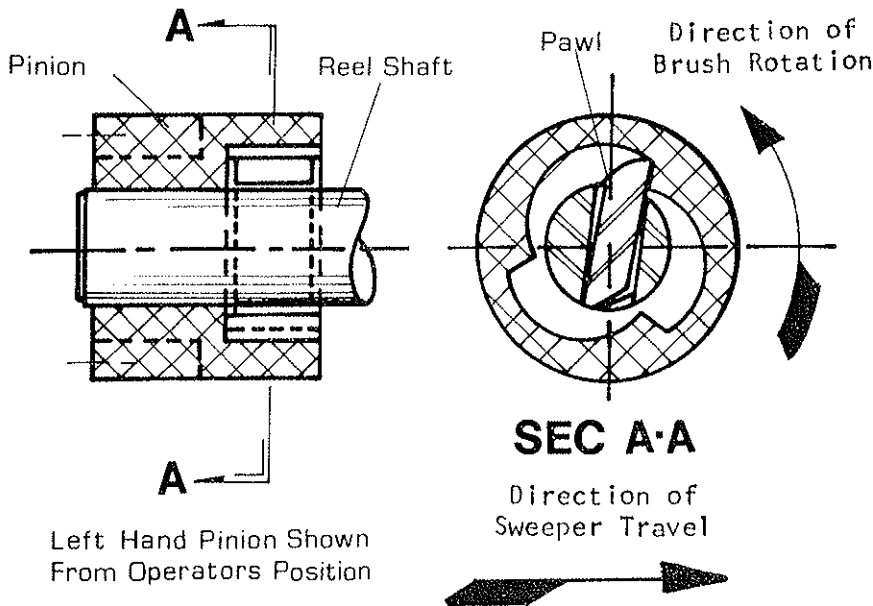


Figure 10A

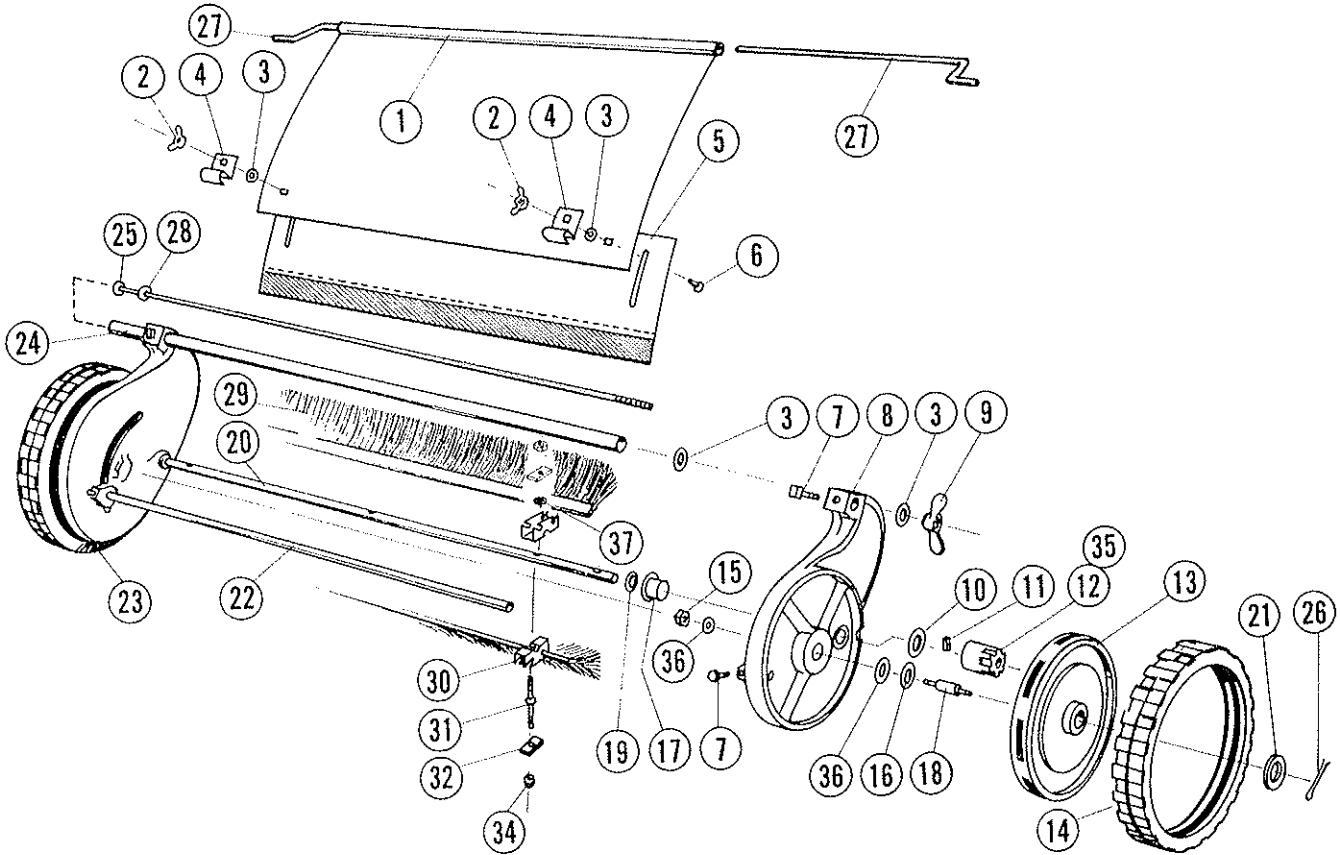
If for any reason it is necessary to disassemble the side plates, the set screws, Item 7, Fig. 11, have been assembled with Loctite and they should also be reassembled the same way. Use Loctite #271-41 (high strength). Before tightening set screws, check to be sure distance between side plates is 25", and that Items 22 and 24, Fig. 11, are parallel with each other and square with the side plates. Do not crush tube, Item 24, with set screw when retightening.

Sweep your lawn of unsightly grass clippings and weed cuttings that will smother the grass. To leave clippings on the lawn will cause a "mat" which not only prevents sunlight and air from getting to the roots of the grass, but also is conducive to fungus diseases.

BASKET DUMPING

The load is dumped from Basket by pulling Basket forward with rope, causing Basket to pivot into a semi-inverted position. When load is discharged, allow rope and Basket to return to its normal position.

SWEEPER UNIT ASSEMBLY



★ SA-1583-B PINION KIT

Figure 11

PARTS LIST

Ref. No.	Part No.	Qty. Per Unit	Description of Part	Ref. No.	Part No.	Qty. Per Unit	Description of Part
1	75-154-B	1	Hood Assembly	20	74-67-B	1	Reel Shaft
2	351-416-18	2	Nut-Wing 1/4-20 x 1 1/8 Span	21	46-81-A	2	Washer-Special
3	945-516	4	Washer-Flat 5/16	22	62-136-A	1	Tie Rod
4	60-22-B	2	Clamp-Head	23	71-04-RD	1	Side Plate Die Cast
5	62-162-C	1	Hood Extension	24	62-135-A	1	Tube Adjusting
6	70-416-12	2	Bolt-Carriage 1/4-20 x 3/4	25	62-141-A	1	Bolt-Special
7	560-C-516-10	4	Screw-Sq. Hd. Set 5/16-18 x 5/8	26	380-432-12	2	Cotter Pins 1/8 dia. x 1
8	71-05-LD	1	Side Plate Die Cast.	27	63-212-B	2	Rod-Hood Control
9	73-71-A	1	Nut-Wing	28	945-616	1	Washer-Flat 3/8 I.D.
10	50-33-A	2	Washer-Special	29	1200-24-B	4	Brush Strip Assembly
11	45-25-A ★	2	Pawl	30	74-13-C	6	Brush Bracket
12	45-19-LA ★	1	Pinion LH	31	74-16-A	3	Stud
13	49-377-C	2	Wheel	32	69-04-A	6	Clamps-Brush Strip
14	63-224-B	2	Tire	33			
15	345-816	2	Nut-Jam 1/2-20	34	362-416	6	Nut-Hex Self Lock 1/4-20
16	946-1216-24	2	Washer-Fiber	35	45-18-RA ★	1	Pinion RH (Not Shown)
17	68-60-A	2	Bearing (Kendal BK-1377-628)	36	71-37-A	4	Washer-Special
18	71-36-A	2	Axle	37	75-89-A	3	Speed Nut (Retainer)
19	55-161-A	2	Washer-Special				

FRAME ASSEMBLY

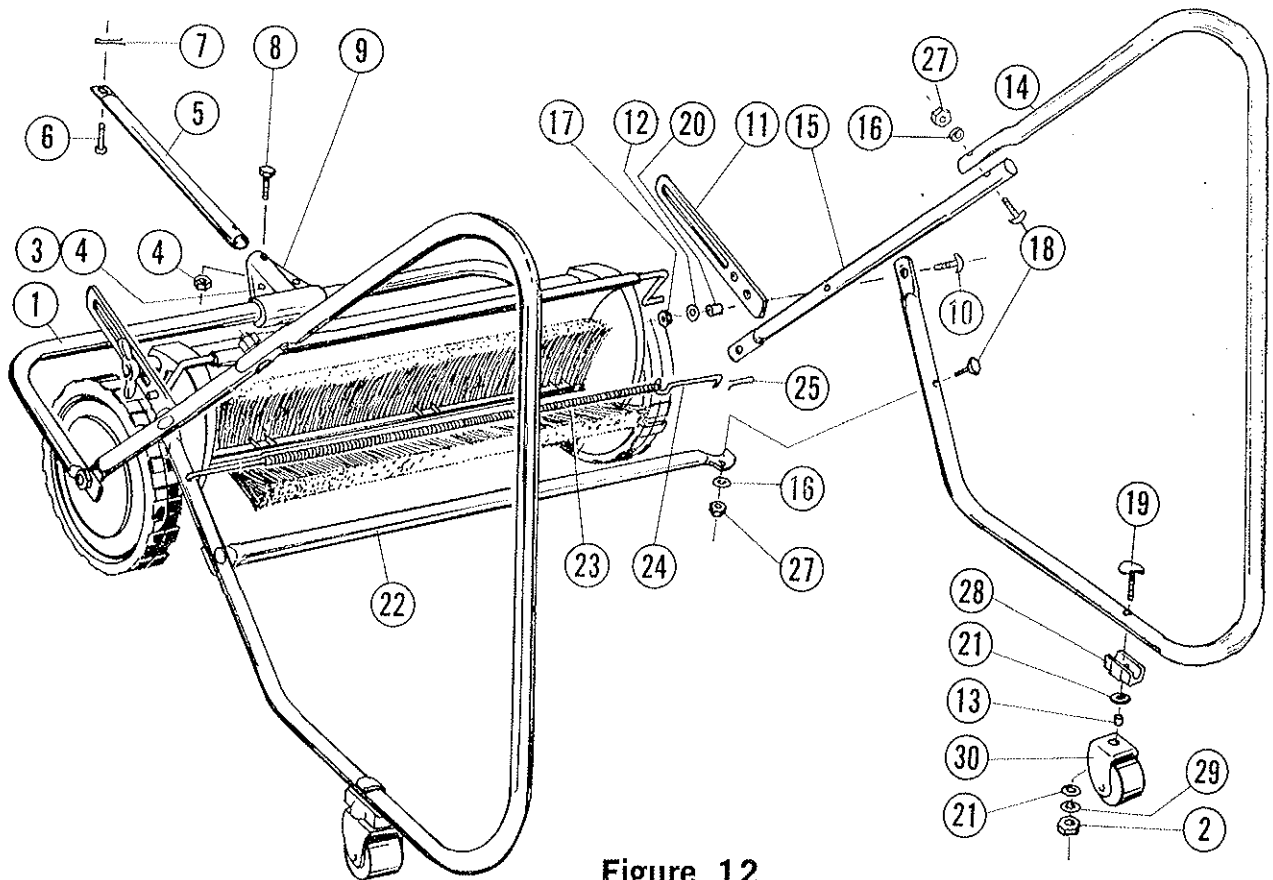


Figure 12

PARTS LIST

Ref. No.	Part No.	Qty. Per Unit	Description of Part	Ref. No.	Part No.	Qty. Per Unit	Description of Part
1	69-169-D	1	Yoke-Tongue	16	936-416	4	Washer-Int. Tooth Lock
2	335-516	2	Nut-Hex Plain $\frac{5}{16}$ -18	17	365-516	2	Nut-Hex Lock $\frac{5}{16}$ -18
3	65-416-10	4	Bolt-Hex Hd. $\frac{1}{4}$ -20 x $\frac{5}{8}$	18	69-416-20	4	Bolt-Cont. Hd. $\frac{1}{4}$ -20 x $1\frac{1}{4}$
4	365-416	5	Nut-Hex Lock $\frac{1}{4}$ -20	19	69-516-28	2	Bolt-Cont. Hd. $\frac{5}{16}$ -18 x $1\frac{3}{4}$
5	62-133-B	1	Tongue	20	54-227-A	2	Spacer
6	53-95-A	1	Pin-Clevis $\frac{3}{8}$ dia. x $1\frac{5}{8}$	21	55-156-A	4	Washer-Special
7	57-110-A	1	Cotter Pin Ho1-HP-115	22	74-69-B	1	Brace-Support Frame
8	65-416-24	1	Bolt-Hex Hd. $\frac{1}{4}$ -20 x $1\frac{1}{2}$	23	69-121-B	1	Spring Extension
9	69-99-B	2	Clamp Tongue	24	62-129-A	2	Hook-Basket Stop
10	69-516-24	2	Bolt-Cont. Hd. $\frac{5}{16}$ -18 x $1\frac{1}{2}$	25	380-332-12	2	Pin Cotter $\frac{3}{32}$ dia. x $\frac{3}{4}$
11	60-21-A	2	Bracket Brush Adj.	26			
12	945-516	4	Washers- $\frac{5}{16}$	27	335-416	4	Nut-Hex Plain $\frac{1}{4}$ -20
13	74-126-A	2	Spacer	28	59-68-B	2	Pivot Block 60-265-A
14	74-68-D	2	Support Frame	29	936-516	2	Washer-Internal Tooth Lock $\frac{5}{16}$
15	74-70-B	2	Frame Lower Sup.	30	SA-243-B	2	Caster Assembly

BASKET ASSEMBLY

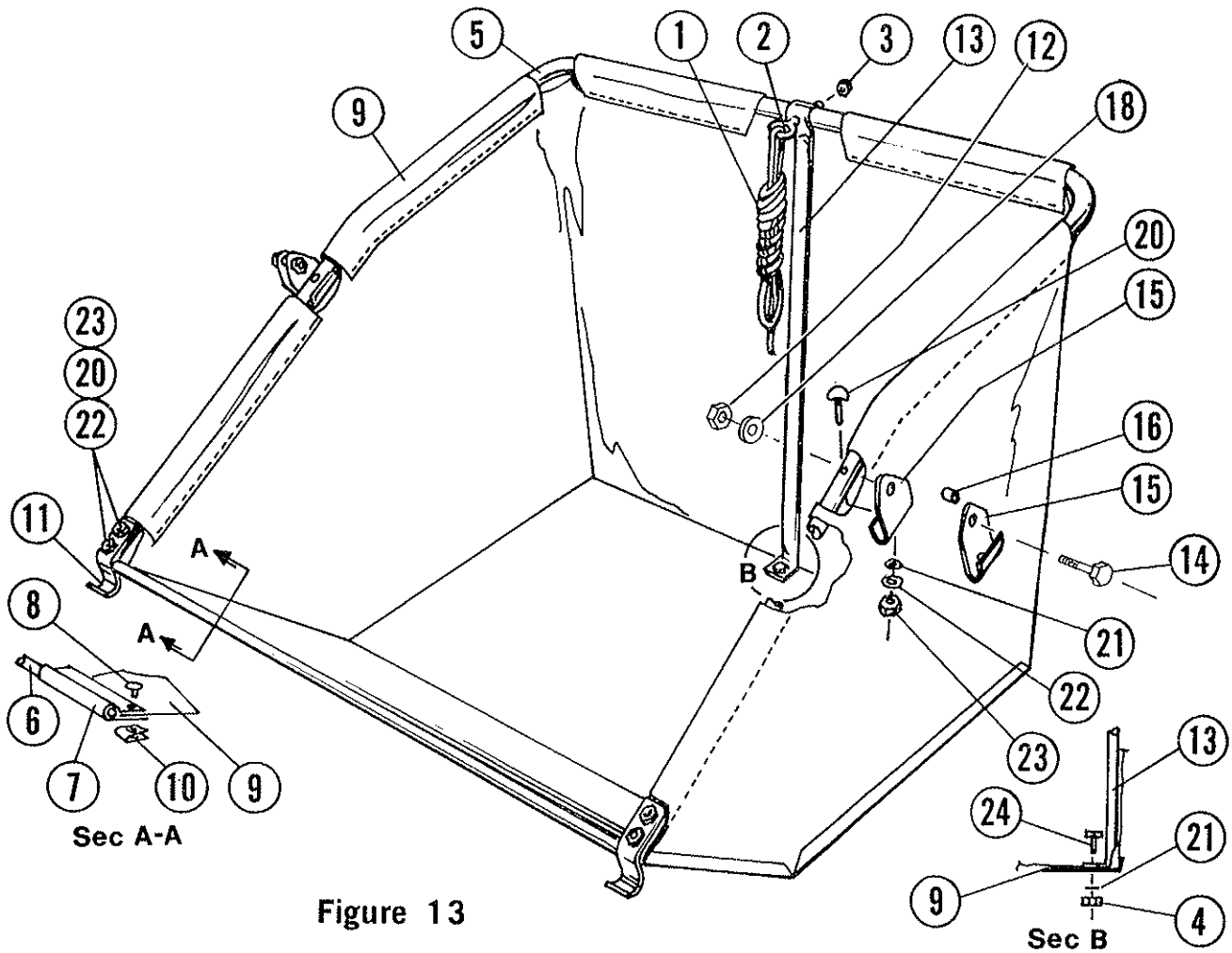


Figure 13

PARTS LIST

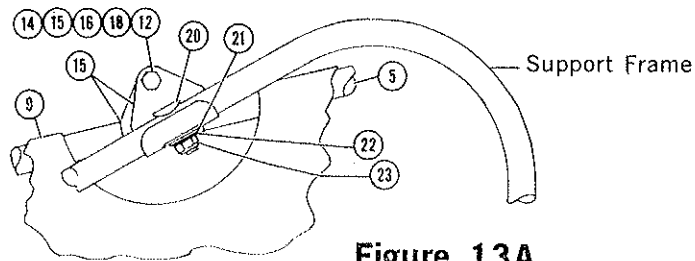


Figure 13A

PARTS LIST

Ref. No.	Part No.	Qty. Per Unit	Description of Part	Ref. No.	Part No.	Qty. Per Unit	Description of Part
1	75-73-A	1	Rope	13	74-121-B	1	Tube-Basket Support
2	69-168-A	1	Eye Bolt-Closed	14	65-516-16	2	Bolt-Hex Hd. $\frac{5}{16}$ -18 x 1
3	364-416	1	Nut-Hex Lock $\frac{1}{4}$ -20 (Thin)	15	74-03-A	4	Bracket 80-285-A
4	365-416	1	Nut-Hex Lock $\frac{1}{4}$ -20	16	59-29-A	2	Spacer
5	74-71-D	1	Frame-Upper Basket	17			
6	62-143-B	1	Frame-Lower basket	18	945-516	2	Washer-Plain $\frac{5}{16}$
7	59-72-C	1	Clamp-Basket Bottom	19			
8	515-416-6	4	Screw-Rd. Hd. $\frac{1}{4}$ -20 x $\frac{3}{8}$	20	69-416-20	8	Bolt-Contour Hd. $\frac{1}{4}$ -20 x $1\frac{1}{4}$
9	62-156-E-1	1	Basket-Sub Assembly	21	945-416	5	Washer-Plain $\frac{1}{4}$
10	346-416	4	Nut-Speed $\frac{1}{4}$	22	936-416	8	Washer-Int. Tooth Lock $\frac{1}{4}$
11	62-130-B	2	Stop Basket	23	335-416	8	Nut-Hex Plain $\frac{1}{4}$ -20
12	365-516	2	Nut-Hex Lock $\frac{5}{16}$ -18	24	65-416-10	1	Bolt-Hex Hd. $\frac{1}{4}$ -20 x $\frac{5}{8}$