



Electronic Service Manuals

This electronic document is provided as a service to our customers. We do not create the contents of the information contained in this document. Should you have detailed questions pertaining to the information contained in this document, you may contact Michco, or the manufacturer which provided the original information in this electronic deliverable. Michco's only part in this electronic deliverable was the electronic assembly process. By providing this manual on line we are not guaranteeing parts availability.

You may contact Michco through the following methods:

Phone (517) 484-9312 or (800) 331-3339

2011 N. High St. -- Lansing, Michigan -- 48906

Fax: (517) 484-9836

Email: CustServe@Michco.com

Web site: www.Michco.Com

Parts Web site: www.FloorMachineParts.Com

Order Parts on Line at:

www.FloorMachineParts.Com

Directly to Parts & Service:

By Email: **Shop@Michco.com**

By Fax: (517) 702-2041

By Voice: Use numbers above.

Serving the Cleaning Industry Since 1922

Notice: All copyrighted material remains property of original owners, all trademarks are property of respective owners. Manuals are subject to Manufacturer's reproduction limitations. Originals or reproductions were provided by manufacturers through a request. We make no warranty as to the correctness of information provided in this document and you assume all risk. By placing these manuals on line we are not declaring our corporation to be an manufacturer authorized dealer or provider, please check our web site for authorized manufacturers we represent.

Minuteman[®]
Parker[®]

Model:
SV0230B
SV0230BSP

Scavenger

OPERATION

SERVICE

PARTS

CARE





DECLARATION OF CONFORMITY

MANUFACTURER'S NAME: Minuteman International Inc.

MANUFACTURER'S ADDRESS: 111 South Rohlwing Road
Addison, IL. 60101

EQUIPMENT DESCRIPTION: SCAVENGER VAC 30"

EQUIPMENT MODEL DESIGNATION: SV0230BSP, SV0230B

Application of Council Directives: 89/392/EC, 2000/14/EC, 91/368/EC, 98/37/EC

Harmonized EN standards complied with: EN 292

Additional Standards: ISO 3744, ISO 11094



I, the undersigned, hereby declare that the equipment specified above conforms to the above Directive(s) and Standard(s).

SIGNATURE:

Jeffrey Pollack

DATE: *May 3, 2004*

PRINTED NAME:

Jeffrey Pollack

TITLE:

Standards Engineer

TABLE OF CONTENTS

General Safety Instructions	1 & 2
Warning Decal Placement	3
Assembly & Operation Instructions	4
Maintenance	5
Handle Assembly SV Basic	6
Handle Assembly SV Self-Propelled	7
Housing & Drive Assembly	8 & 9
Warranty	Back Cover

Model # _____

Serial # _____

EC Declaration of Conformity

according to Directives 89/392 and 89/336

We, Parker Sweeper Company, a division of Minuteman International Incorporated of 111 South Rohlwing Road Addison Illinois 60101 USA, declare under our sole responsibility that the products, SV9405H, SV0230B and SV0230BSP Scavenger to which this declaration relates corresponds to the relevant requirements of the EC Directives 89/392 and 89/336. The following standards were used to determine compliance with the Directives: EN 292, EN 294, EN 811 and CISPR 12.

Jeff Pollack

Jeff Pollack, Standards Engineer

4/30/02

Date

IMPORTANT SAFETY INSTRUCTIONS

READ ALL INSTRUCTIONS BEFORE USING

WARNING

- To prevent personal injury or property damage, do not attempt to start engine until all assembly steps are complete and you have read and understand the safety and operating instructions in this manual.
- Under California, and under laws of several other states, you are not permitted to operation internal combustion's engine using hydrocarbon fuels on any forest covered, brush covered, or grass covered land, or on land with grain, hay, or other flammable agricultural crop, without an engine spark arrester in continuous effective working order. The engine on your power equipment, like most outdoor power equipment, is an internal combustion engine that burns gasoline, a hydrocarbon fuel. Therefore, your power equipment must be equipped with a spark arrester muffler in continuous effective working order. The spark arrester must be attached to the engine exhaust system in such a manner that flames or heat from the system will not ignite flammable material. Failure of the owner/operator of the equipment to comply with this regulation is a misdemeanor under California law, and may also be a violation of other state and/or federal regulations, laws, ordinances, or codes. Contact your local fire marshal or forest service for specific information about what regulations apply in your area.
- Wear approved safety glasses when operating this equipment. The operation of any powered machine can result in foreign objects being thrown by high-speed rotating parts.
- Wear work gloves, sturdy footwear, and hearing protection when operating this equipment.
- Remove hearing protection and watch for traffic when operating near, or when crossing roadways.
- Do not operate this equipment on a paved, gravel or hard surface unless the collection bag is installed. Discharged material may bounce from a hard surface.
- Before inspecting or servicing any part of equipment, shut off engine, disconnect spark plug wire from spark plug, and make sure that all moving parts have come to a complete stop. Be aware that rotating blades slow down gradually after engine is shut off.
- Exercise extreme caution on slopes and avoid excessively steep slopes.
- Never leave equipment unattended when engine is running. Shut off engine and disconnect spark plug wire from spark plug before leaving equipment.
- Do not vacuum any burning or smoldering materials such as cigars, cigarettes, ashes or cinders.

- Do not vacuum areas that have been recently treated with fertilizers, pesticides or herbicides. Follow chemical manufacturer's safety instructions regarding contact with treated areas.
- Do not vacuum flammable liquids such as gasoline, kerosene, diesel fuel, paint thinner, etc.
- Never allow children or untrained adults to operate this equipment.
- Keep the area of operation clear of all persons, particularly small children, and pets. Keep bystanders at least 25 feet away from the area of operation.
- Do not run engine in an enclosed area. Engine exhaust contains carbon monoxide gas, a deadly poison that is odorless, colorless, and tasteless. Do not operate this equipment near buildings, windows, or air conditioners.
- Do not allow hands or any other part of the body or clothing inside the vacuum inlet.
- Before removing or installing collection bag, shut off engine, disconnect spark plug wire from spark plug, and allow all moving parts to come to a complete stop.
- If equipment jams or becomes clogged, immediately shut off engine, disconnect spark plug, and allow all moving parts to come to a complete stop. Use only a wooden stick to clear away debris.
- Do not start engine or operate this equipment with any safety guards or housing removed.

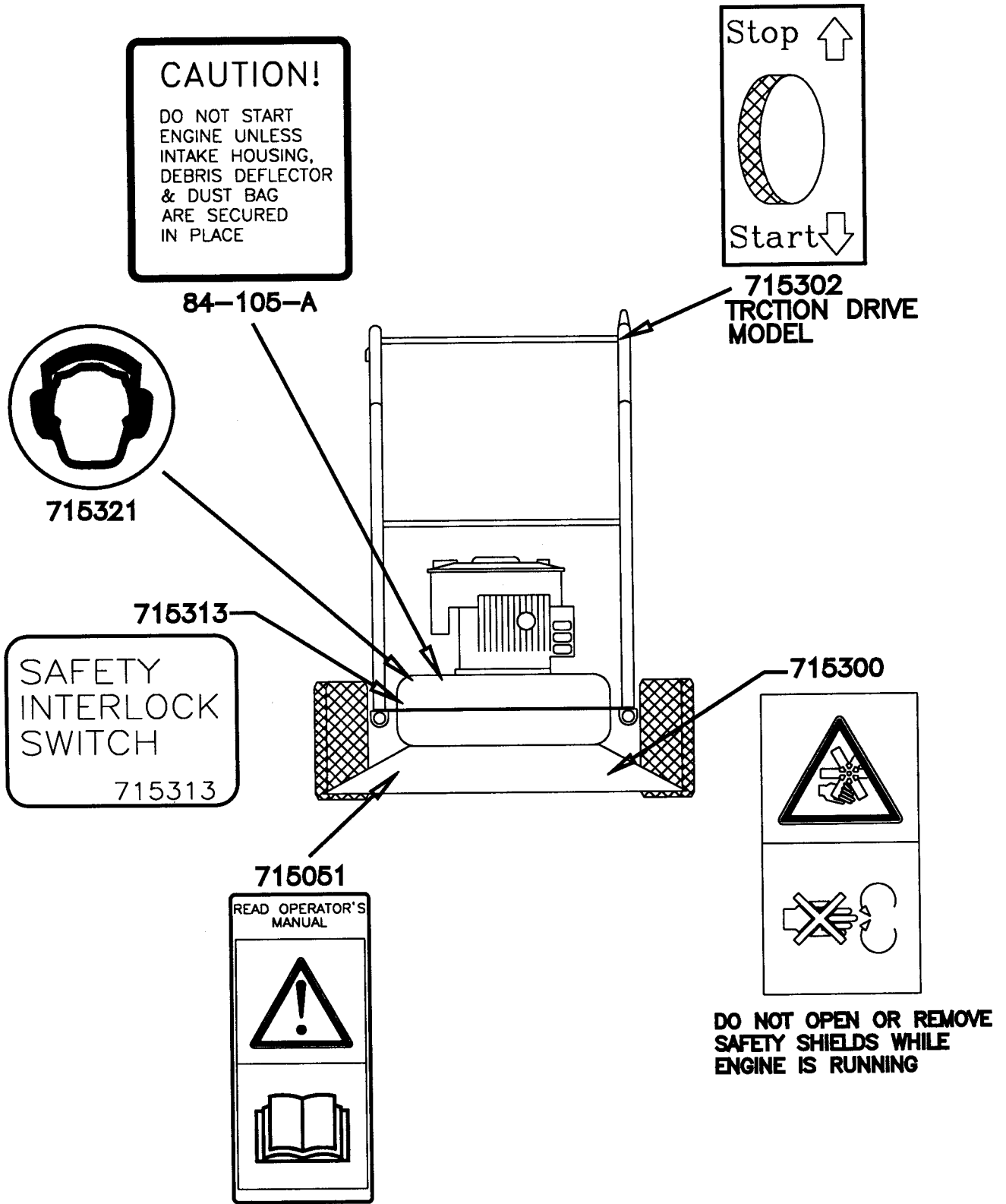
DANGER

Gasoline is highly flammable and its vapors are explosive. To prevent personal injury or property damage:

- Do not add fuel if engine is running or still hot from recent operation. Allow engine to cool for at least three minutes.
- Do not fill fuel tank indoors. After filling, wipe up any spills and move away from gasoline fumes before starting engine.
- Do not allow open flame, matches, or smoking in area.
- Fill fuel tank with fresh, clean unleaded regular automotive gasoline, (leaded regular and unleaded or leaded premium grades of gasoline are acceptable substitutes).
- Do not mix oil with gasoline.
- Clean the area around the fuel fill cap and remove the cap from the fuel tank. Insert a clean funnel into the fuel tank.
- Fill the tank to 1/2 inch below the bottom of the filter neck to provide space for any fuel expansion.
- Reinstall the fuel fill cap securely and wipe up any spilled gasoline.

SAVE THESE INSTRUCTIONS

SAFETY DECALS



ASSEMBLY INSTRUCTIONS

NOTE: Remove unit from carton. Do not discard any inserts or packing until unit is completely assembled. All mounting hardware is on the unit in its proper location.

TO ASSEMBLE HANDLES

NOTE: The numbers used in the following steps refer to those used in the parts list and exploded view of the Handle and Bag Assembly on Page 7.

1. Remove the four hex hd. bolts (3), lock nuts (4), and the lower cross brace (2) from the top of the lower handles (14).
2. Slide the upper handle assembly down over the top of the lower handles (14).
3. Reassemble the hardware removed in Step 1, making sure the lower cross brace (14) is assembled to the top holes and bolts.

ATTACHING CLUTCH CABLE - TRACTION MODELS ONLY

1. The clutch cable is preassembled to the upper handle assembly in the correct position. Once the handles are completely assembled it must be connected to the clutch arm weldment.

NOTE: The numbers used in the following steps refer to those used in the parts list and exploded view of the housing and drive assembly on Page 8 and 9.

2. Remove the round hd. machine screw (51) used to secure the throttle cable clip (19) to the side plate (18).
3. Place throttle cable clip around clutch cable. Lift the clutch handle to release tension in the clutch cable.
4. Attach hook at the end of the cable into the hole in the clutch arm weldment (21).
5. Place the clip against side plate in its proper location and replace screw.

OPERATING INSTRUCTIONS

READ SAFETY & OPERATING INSTRUCTIONS BEFORE OPERATING

ENGINE OPERATION

CAUTION: The engine contains **NO OIL**. Before starting the engine, make sure the crankcase is filled with the proper amount and type of oil. Refer to the Engine Operating Manual for proper lubrication of the engine. Read the Engine Manual carefully before operating unit.

TO ASSEMBLE HANDLES

NOTE: The numbers used in the following steps refer to those used in the parts list and exploded view of the Handle and Bag Assembly on Page 7.

1. Remove the four hex hd. bolts (3), lock nuts (4), and the lower cross brace (2) from the top of the lower handles (14).
2. Slide the upper handle assembly down over the top of the lower handles (14).
3. Reassemble the hardware removed in Step 1, making sure the lower cross brace (14) is assembled to the top holes and bolts.

MAINTENANCE INSTRUCTIONS

OBSERVE SAFETY RULES AT ALL TIMES.

WARNING: DO NOT WORK ON SCAVENGER with engine running or idling. Bring to a complete stop. Remove spark plug wire on engine.

1. For servicing and operating instructions for engine refer to Engine Manufacturers Service Manual. Careful attention to care of air cleaner and crankcase lubrication instructions will insure longer engine life. KEEP ENGINE CLEAN.
2. Clean the engine air cleaner every 10 hours of operation. (Do so more often under dusty conditions.) If it is punctured, torn, or uncleanable, it should be replaced.
3. Be sure to keep the oil at the proper level in the engine. Check the oil level each time you fill the fuel tank.
4. To drain the crankcase oil from the engine, use a siphon pump. To use it, run the engine for a short time to warm the oil and make it flow more easily. Then remove the cap from the filler hole in the engine and insert the plastic tube into the hole. Hold the pump below the bottom of the crankcase and squeeze it several times until oil appears in the tube above the pump, and allow the oil to siphon into a container for disposal. DISPOSE OF PROPERLY.
5. Once a year, remove the wheels and add fresh grease in the teeth of the gears.
6. DUST BAG CARE
 - a. Keep the dust bag clean at all times.
 - b. To clean the dust bag, turn the bag inside out and reattach to the sweeper.
 - c. Start the engine and run at full throttle. Lightly tap the bag to release the dust trapped in the weave.
 - d. When the bag is clean remove it and turn it right side out again. Reattach to the sweeper and resume sweeping.
 - e. DO NOT wash the dust bag to clean. Washing will shrink the material, reducing air flow through the bag and seriously reduce vacuum.
7. The efficiency of this unit depends on the breathing capacity of the dust bag. Under extremely dusty conditions the bag should be emptied and cleaned frequently. Always empty and clean bag before storing after use. Debris allowed to remain in the bag may cause spontaneous combustion, resulting in an explosion or fire.

SAFETY INTERLOC SYSTEM

This equipment incorporates a Bag Safety Interloc System, Figure 1. When bag assembly is removed and lanyard switchfoot is disconnected

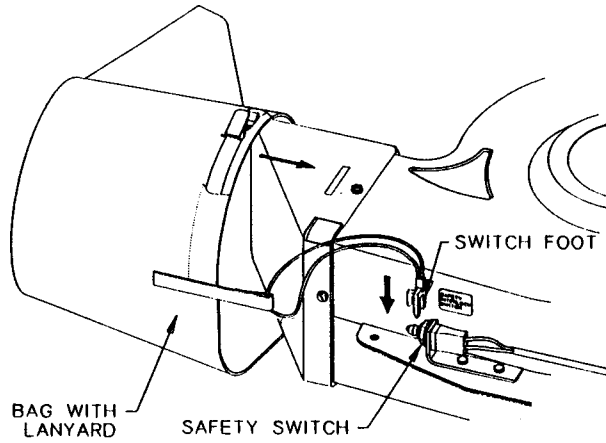
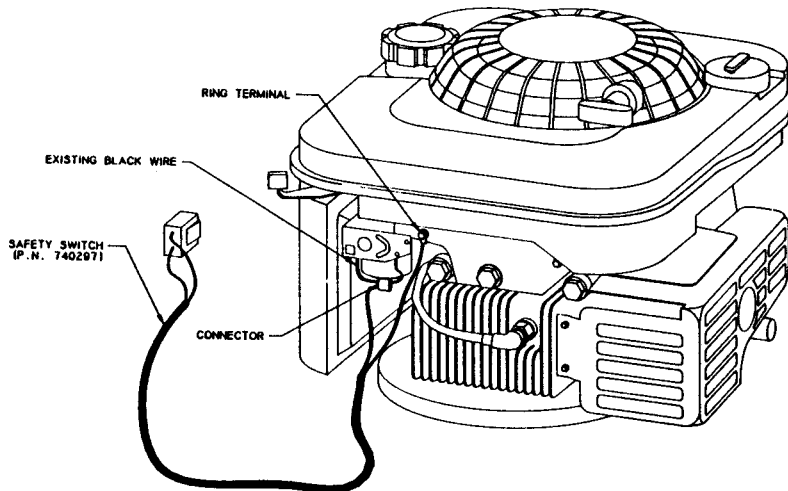


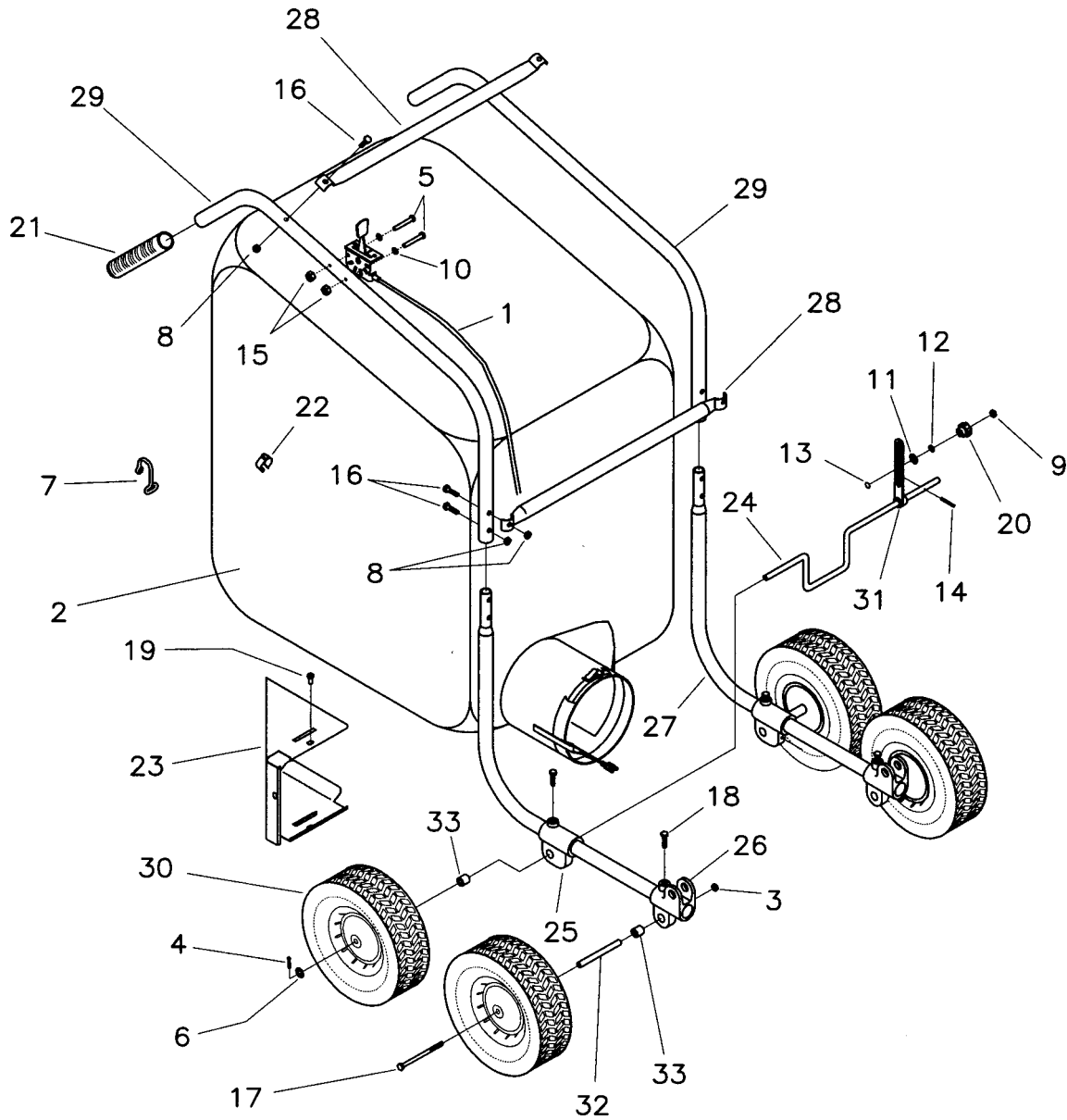
Figure 1

Briggs & Stratton/Honda engine wiring schmatic.



To drain oil, use hand pump.

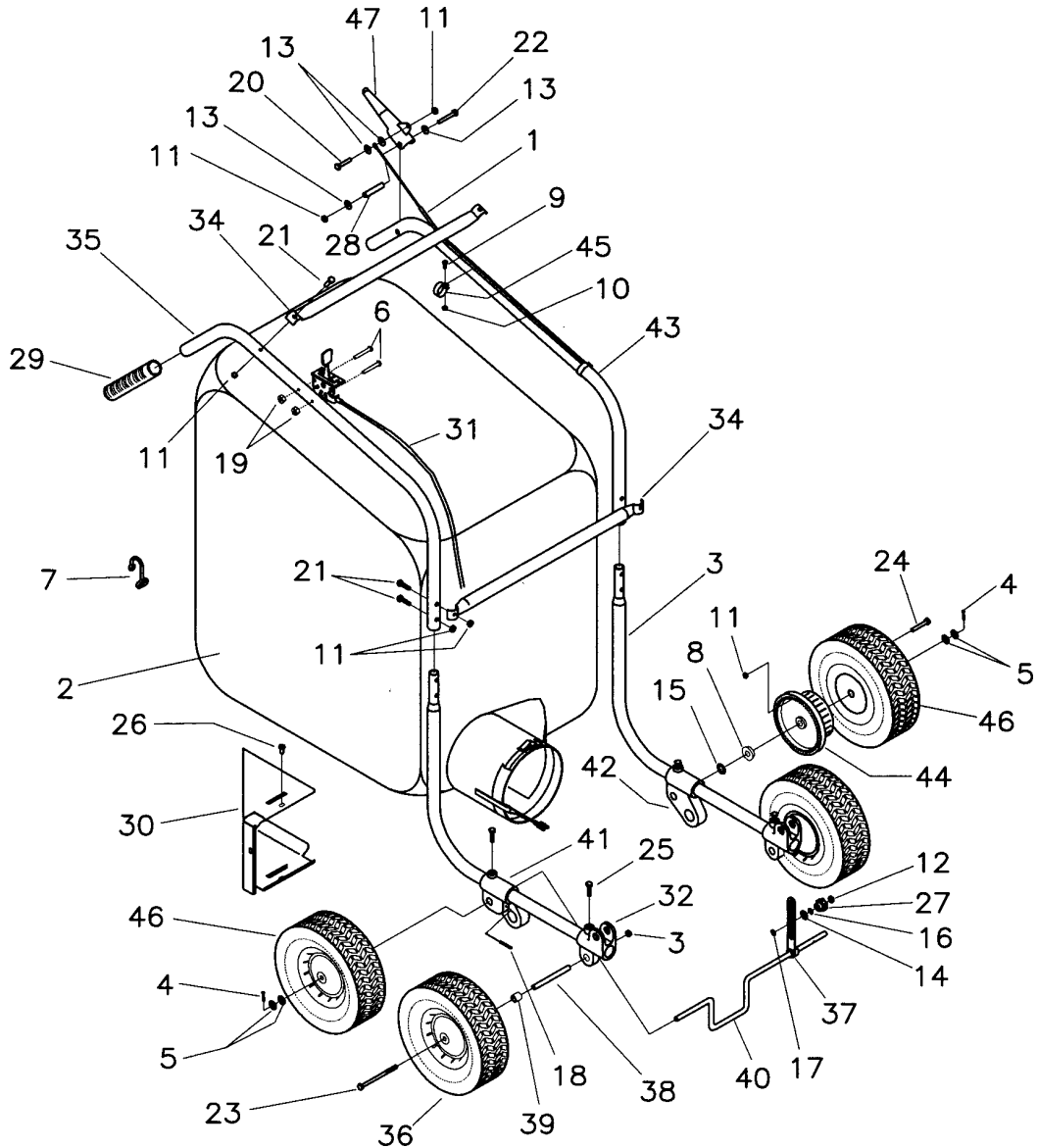
HANDLE & BAG ASSEMBLY - SV0230B



PARTS LIST

ITEM	PART NO.	REQ'D	DESCRIPTION	ITEM	PART NO.	REQ'D	DESCRIPTION
1	350002	1	CABLE-THROTTLE ASSY	17	713067	2	BLT-HH 1/2-20 X 5.00 #5
2	350880	1	BAG, COLLECTOR (SV)	18	713101	4	BLT-HH 3/8-16 X 2.00
2A	350891	1	BAG, KNIT SV W/LAN 548	19	72-416-10	2	BLT ST 1/4 X 5/8
3	368-816	2	NUT-NYLOC HALF 1/2-20	20	79-94-A	1	KNOB-FLUTED
4	380-632-20	2	PIN-COTTER	21	80-232-A	2	GRIP-HANDLE
5	515-10-24	2	SCR-RD HD 10-24 X 1 1/2	22	80-276-A	2	SNAP MOUNT
6	55-161-A	2	WSR-SPECIAL	23	82-169-D	1	DEFLECTOR
7	63-304-A	4	BAG HOOK	24	84-49-C	1	AXLE 5/8 X 32 11/16 SV
8	711373	6	NUT-NYLOC 1/4-20	25	84-50-B	2	SUPPORT MACHINE
9	711383	1	NUT-HEX CTR LOC 5/16-18	26	84-53-B	2	PIVOT MACH SV
10	711503	2	WSR-FLT #10	27	84-56-C	2	LOWER HANDLE
11	711506	1	WSR-FLT 5/16 (NARROW) ST PL	28	84-60-B	2	CROSS BAR SV
12	711545	1	WSR-HELICAL 5/16	29	84-61-C	2	UPPER HANDLE
13	711565	1	WSR-EXT LOCK 5/16	30	84-137-C	4	WHEEL (NO HOLES IN HUB)
14	711644	2	PIN-ROLL 3/16 X 1 1/2	31	84-236-C	1	HEIGHT ADJ WELDMENT
15	712638	2	NUT HEX 10-24 SS NYLOC	32	85-75-A	2	SPACER-.527 X .625 X 4.4275
16	713005	6	BLT-HH 1/4-20 X 1.50 #5	33	85-76-A	4	SPACER-.635 X .875 X 1.12

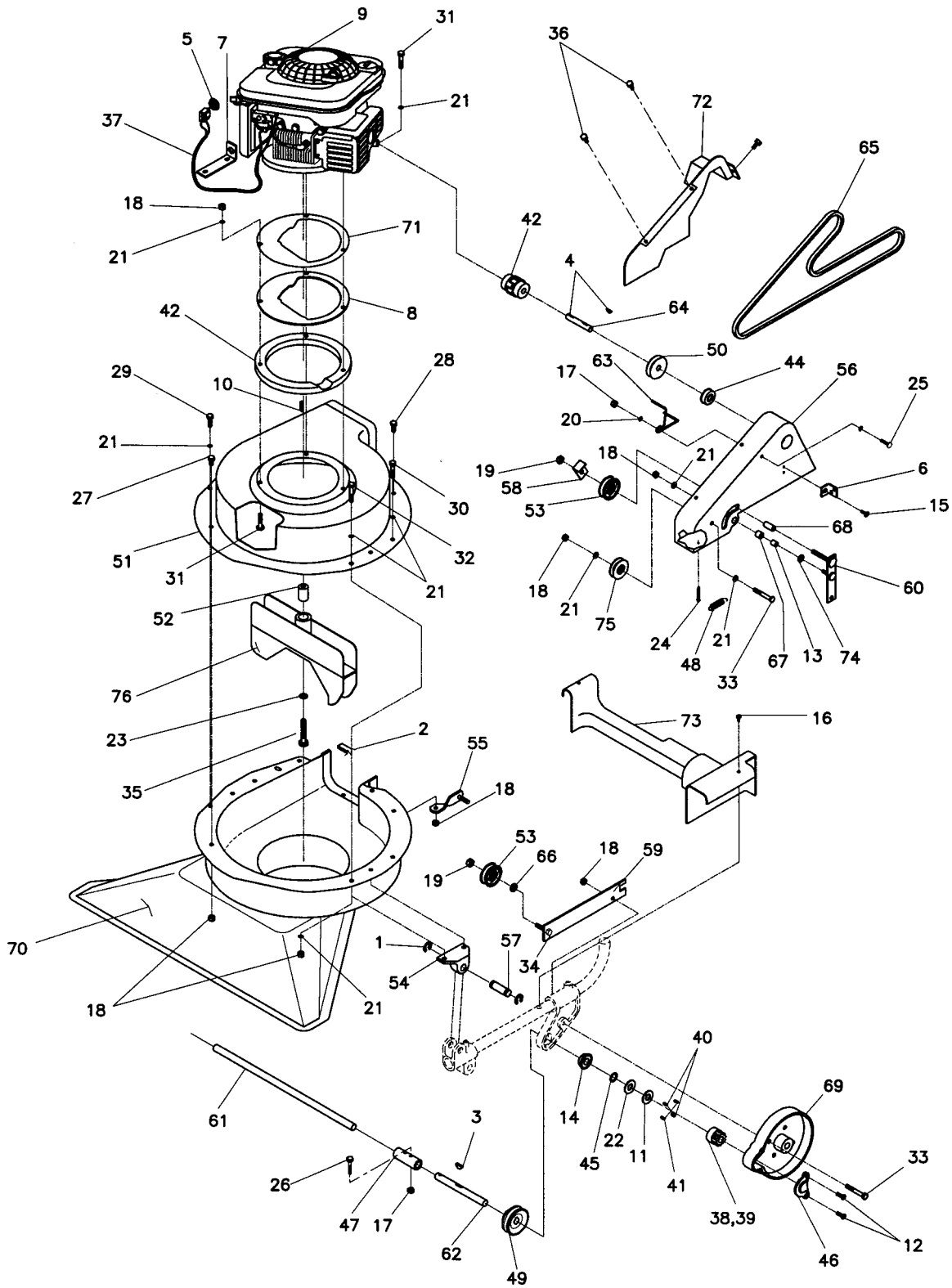
HANDLE & BAG ASSEMBLY - SV0230BSP



PARTS LIST

ITEM	PART NO.	REQ'D	DESCRIPTION	ITEM	PART NO.	REQ'D	DESCRIPTION
1	350000	1	CABLE-CLUTCH ASSY SCAVENGER	24	713100	8	SC 1/4-20 X 2 1/2
2	350880	1	BAG. COLLECTOR (SV)	25	713101	4	BLT-HH 3/8-16 X 2.00
2A	350891	1	BAG, KNIT SV W/LAN 548	26	72-416-10	3	BLT ST 1/4 X 5/8
3	368-816	2	NUT-NYLOC HALF 1/2-20	27	79-94-A	1	KNOB-FLUTED
4	380-632-20	2	PIN-COTTER	28	80-225-A	1	SPACER-.259 X .375 X 1.375
5	55-161-A	4	WSR-SPECIAL	29	80-232-A	2	GRIP-HANDLE
6	515-10-24	2	SCR-RD HD 10-24 X 1 1/2	30	82-169-D	1	DEFLECTOR
7	63-304-A	4	BAG HOOK	31	83-25-B-41	1	CABLE-THROTTLE ASSY
8	68-60-A	2	BEARING-FLG RADIAL .625 X 1.50	32	84-53-B	2	PIVOT MACH SV
9	710130	2	SCR-MC 8-32 X .62 NICKEL	33	84-56-C	2	LOWER HANDLE
10	711372	2	NUT-NYLOC 8-32	34	84-60-B	2	CROSS BAR SV
11	711373	16	NUT-NYLOC 1/4-20	35	84-61-C	1	UPPER HANDLE
12	711383	1	NUT-HEX CTR LOC 5/16-18	36	84-137-C	2	WHEEL (NO HOLES IN HUB)
13	711505	4	WSR-FLT 1/4	37	84-236-C	1	HEIGHT ADJ WELDMENT
14	711506	1	WSR-FLT 5/16 (NARROW) ST PL	38	85-75-A	2	SPACER- .527 X .625 X 4.4275
15	711511	2	WSR-FLT .62 X 1.31 X .09	39	85-76-A	2	SPACER-.635 X .875 X 1.12
16	711545	1	WSR-HELICAL 5/16	40	86-21-C	1	AXLE
17	711565	1	WSR-EXT LOCK 5/16	41	86-30-C	1	PINION WHEEL SUPPORT RH
18	711644	2	PIN-ROLL 3/16 X 1 1/2	42	86-31-C	1	PINION WHEEL SUPPORT LH
19	712638	2	NUT HEX 10-24 SS NYLOC	43	86-35-C	1	UPPER HANDLE
20	713003	1	BLT-HH 1/4-20 X 1.00 #5	44	86-42-D	2	GEAR MACHINED
21	713005	6	BLT-HH 1/4-20 X 1.50 #5	45	86-59-B	2	CLAMP CABLE /CLUTCH
22	713007	1	BLT-HH 1/4-20 X 2.00 #5	46	86-80-C	2	WHEEL (2 HOLES IN HUB)
23	713067	2	BLT-HH 1/2-20 X 5.00 #5	47	SA-1176-A	1	CLUTCH HANDLE ASSY.

HOUSING & DRIVE ASSEMBLY



HOUSING & DRIVE ASSEMBLY

PARTS LIST

ITEM	PART NO.	REQ'D	DESCRIPTION	ITEM	PART NO.	REQ'D	DESCRIPTION
1	1000-10	4	RETAINING RING	37	740297	1	SAFETY SWITCH ASY
2	101012	1	GASKET,RUB .25 X 56 X 38	38	74-78-RB	1	PINION RIGHT
3	280-5	2	KEY-1/8 X 5/8	39	74-79-LB	1	PINION LEFT
4	280-9	1	KEY-SHAFT	40	74-80-A	4	PIN-DOWEL
5	350135	1	SWITCH NUT 6250	41	76-37-A	4	PAWL SPRING
6	350151	1	CLUTCH CABLE MOUNT BRACKET	42	77-112-B	1	ENGINE SPACER ADAPTER
7	350175	1	SWITCH BRACKET SCAVENGER	43	78-197-A	1	COUPLING-SERVICE PT FLEX
8	350255	1	GASKET B/S QUANTUM 5HP	44	79-24-A	1	BEARING-FLG
9	360025	1	ENGINE-6.0HP B/S VERTICAL	45	79-104-A	2	RETAINING RING
9A	360026	1	ENGINE-6.0HP B/S VERT SELF-PRO	46	80-01-B	2	CASTING-COVER PINION
10	48-277-A	1	KEY	47	80-180-A	1	COUPLING SHAFT
10A	74-83-A	1	KEY-PY & SV	48	80-193-A	1	SPRING-EXT
11	50-33-A	2	WSR-FLT .656 X 1.50 X .06	49	80-198-A	1	SHEAVE
12	506-416-10	4	SCR-FL HD 1/4-20 X 5/8	50	80-283-A	1	SHEAVE
13	51-23-A	1	SPACER-.337 X .437 X .53	51	82-04PTD	1	UPPER HSG ASY SCAVENGER
14	68-60-A	2	BEARING-FLG RADIAL .625 X 1.50	52	82-24-A	1	SPACER-.38 X .875 X 1.375
15	711146	1	SCR 10/32 X 1/2 TYPE F	52A	89-113-A	1	SPACER-.393 X .874 X 1.0
16	711147	2	SCR-ST DRILL PT 10X 1/2	53	83-66-A	2	CLUCH PULLEY MACHINED
17	711373	3	NUT-NYLOC 1/4-20	54	84-54-B	2	HINGE MACHINED SV
18	711374	17	NUT-NYLOC 5/16-18	55	84-238-A	1	ADJUST BRACKET WELDMNT
19	711375	2	NUT-NYLOC 3/8-16 1/2NUT	56	86-18-D	1	SIDE PLATE
20	711505	2	WSR-FLT 1/4	57	86-20-B	2	PIVOT PIN
21	711506	16	WSR-FLT 5/16 (NARROW) ST PL	58	86-60-B	1	BELT POPPER
22	711511	2	WSR-FLT .62 X 1.31 X .09	59	86-61-B	2	IDLER ARM
23	711546	1	WSR-HELICAL 3/8	60	86-63-B	1	CLUCH ARM WELDMNT
24	711809	1	PIN-COTTER 1/8 X 1	61	86-65-A	1	SHAFT SPLIT DRIVE
25	713003	1	BLT-HH 1/4-20 X 1.00 #5	62	86-66-A	1	SPLIT DRIVE
26	713005	2	BLT-HH 1/4-20 X 1.50 #5	63	86-67-A	1	BELT POPPER
27	713025	4	BLT-HH 5/16-18 X 5/8 #5	64	86-84-A	1	SHAFT CLUCH
28	713026	3	BLT-HH 5/16-18 X 3/4 #5	65	86-85-A	1	BELT-V
29	713027	4	BLT-HH 5/16-18 X 1 #5	66	86-86-A	1	SPACER-.391 X .75 X .156
30	713029	1	BLT-HH 5/16-18 X 1 1/2 #5	67	86-95-A	1	BUSHING-.440 X .565 X .500
31	713029	2	BLT-HH 5/16-18 X 1 1/2 #5	68	86-99-A	1	SPACER-.384 X .50 X 1.062
	713033	1	BLT-HH 5/16-18 X 2 1/2 #5	69	86-109-D	2	DUST COVER
31A	713031	2	BLT-HH 5/16-18 X 2 #5 (SP)	70	89-110-D	1	LOWER HOUSING SV
	713035	1	BLT NN 5/16 X 18 X 3 #5 (SP)	71	90-06-C	1	ENGINE PLATE
32	713030	2	BLT-HH 5/16-18 X 1 3/4 #5	72	93-01	1	BELT GUARD UPPER
33	713032	2	BLT-HH 5/16-18 X 2 1/4 #5	73	93-02	1	BELT GUARD LOWER AXLE
34	713044	1	BLT-HH 3/8-16 X 1.50 #5	74	960-516	1	WSR-FLT SS
35	713102	1	BLT-HH 3/8-24 X 2 1/2 #5	75	SA-864-A	1	SHEAVE AND BEARING ASY
36	72-416-10	3	BLT ST 1/4 X 5/8	76	SA-1035-B	1	IMPELLER ASY COMP SV

LIMITED WARRANTY

The Parker Sweeper Company warrants to the original purchaser/user that this product is free from defects in workmanship and materials under normal use and service for a period of two years from date of purchase. In addition, Parker Sweeper Company will, at its option, honor labor warranty claims for the first 12 months from date of sale, provided such claims are submitted through and approved by factory authorized repair stations. Parker Sweeper Company will, at its option, repair or replace without charge, except for transportation costs, parts that fail under normal use and service when operated and maintained in accordance with the applicable operation and instruction manuals.

This warranty does not apply to normal wear, or to items whose life is dependent on their use and care, such as belts, cords, switches, hoses, rubber parts, electrical motor components or adjustments. Parts not manufactured by Parker Sweeper Company such as engines, batteries, battery chargers, hydraulic pumps, and tires are covered by and subject to the warranties and/or guarantees of their manufacturers. Please contact Minuteman International, Inc. for procedures in warranty claims against these manufacturers.

Special warning to purchaser — Use of replacement filters and/or prefilters not manufactured by Parker Sweeper Company or its designated licensees, will void all warranties expressed or implied.

A potential health hazard exists without exact original equipment replacement.

All warranted items become the sole property of Parker Sweeper Company or its original manufacturer, whichever the case may be.

Parker Sweeper Company disclaims any implied warranty, including the warranty of merchantability and the warranty of fitness for a particular purpose. Parker Sweeper Company assumes no responsibility for any special, incidental or consequential damages.

This limited warranty is applicable only in the U.S.A. and Canada, and is extended only to the original user/purchaser of this product. Customers outside the U.S.A. and Canada should contact their local distributor for export warranty policies. Parker Sweeper Company is not responsible for costs or repairs performed by persons other than those specifically authorized by Parker Sweeper Company. This warranty does not apply to damage from transportation, alterations by unauthorized persons, misuse or abuse of the equipment, use of non-compatible chemicals, or damage to property, or loss of income due to malfunctions of the product.

If a difficulty develops with this machine, you should contact the dealer from whom it was purchased.

This warranty gives you specific legal rights, and you may have other rights which vary from state to state. Some states do not allow the exclusion or limitation of special, incidental or consequential damages, or limitations on how long an implied warranty lasts, so the above exclusions and limitations may not apply to you.



A Member of the Hako Group of Companies

World Headquarters

Minuteman International, Inc.
111 South Rohlwing Road
Addison, Illinois 60101

Phone 630-627-6900

Fax 630-627-1130

www.minutemanintl.com

Minuteman Canada, Inc.
2210 Drew Road
Mississauga, Ontario
L5S 1B1

Phone 905-673-3222

Fax 905-673-5161

988232

Printed in U.S.A.