



Electronic Service Manuals

This electronic document is provided as a service to our customers. We do not create the contents of the information contained in this document. Should you have detailed questions pertaining to the information contained in this document, you may contact Michco, or the manufacturer which provided the original information in this electronic deliverable. Michco's only part in this electronic deliverable was the electronic assembly process. By providing this manual on line we are not guaranteeing parts availability.

You may contact Michco through the following methods:

Phone (517) 484-9312 or (800) 331-3339

2011 N. High St. -- Lansing, Michigan -- 48906

Fax: (517) 484-9836

Email: CustServe@Michco.com

Web site: www.Michco.Com

Parts Web site: www.FloorMachineParts.Com

Order Parts on Line at:

www.FloorMachineParts.Com

Directly to Parts & Service:

By Email: **Shop@Michco.com**

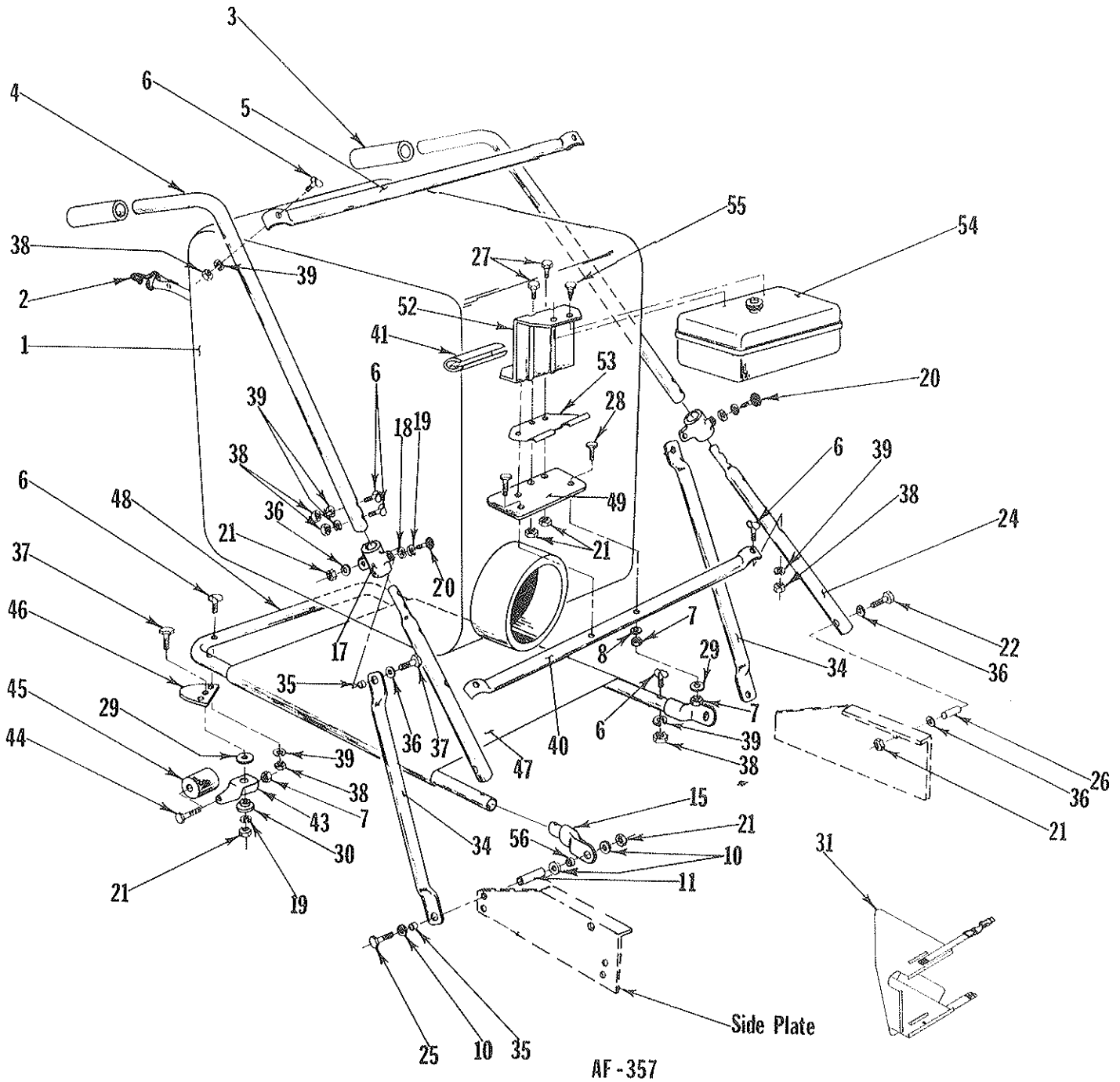
By Fax: (517) 702-2041

By Voice: Use numbers above.

Serving the Cleaning Industry Since 1922

Notice: All copyrighted material remains property of original owners, all trademarks are property of respective owners. Manuals are subject to Manufacturer's reproduction limitations. Originals or reproductions were provided by manufacturers through a request. We make no warranty as to the correctness of information provided in this document and you assume all risk. By placing these manuals on line we are not declaring our corporation to be an manufacturer authorized dealer or provider, please check our web site for authorized manufacturers we represent.

HANDLE AND BAG ASSEMBLY



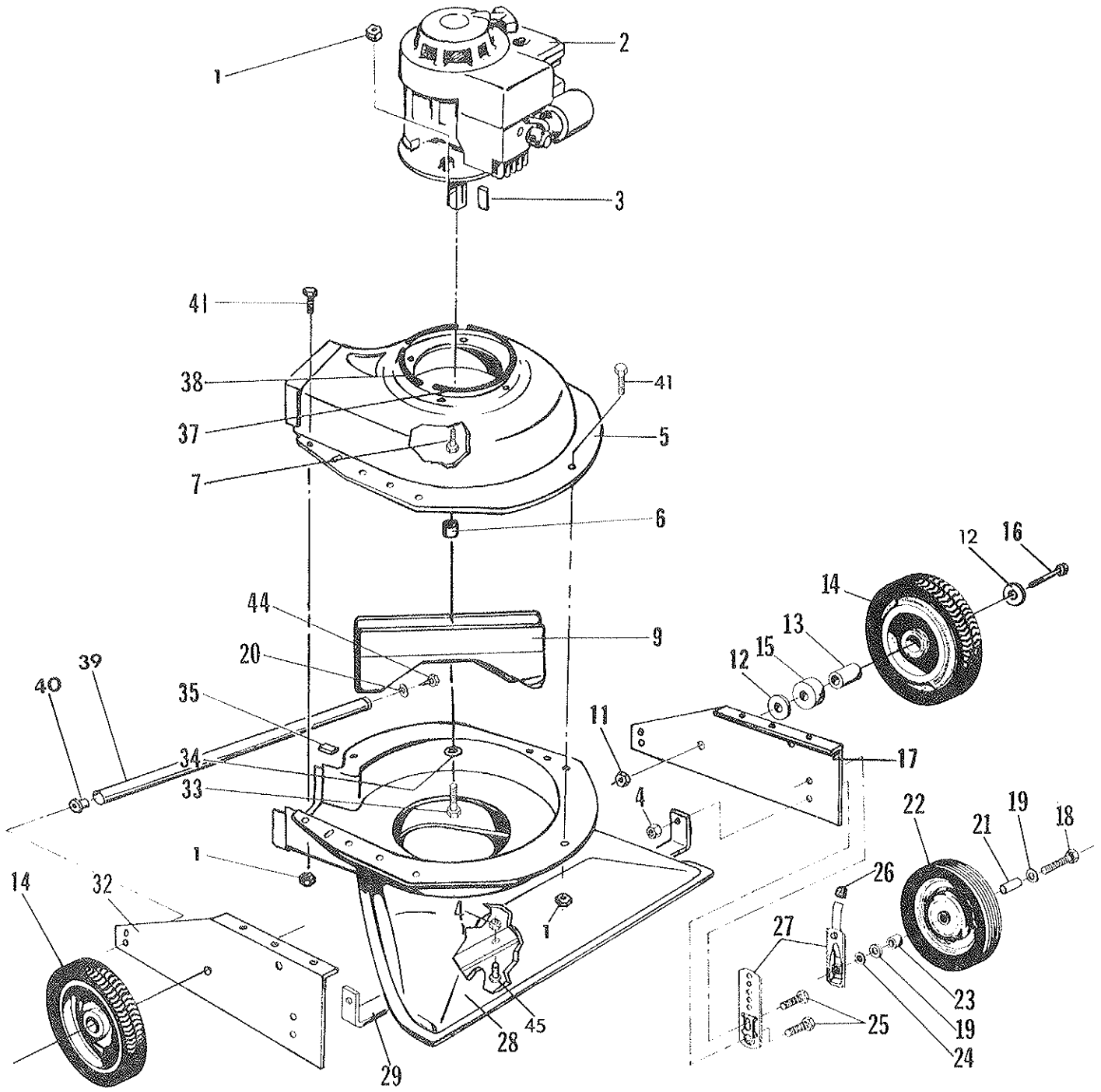
HANDLE AND BAG ASSEMBLY

PARTS LIST

REF NO.	PART NO.	QTY. PER UNIT	DESCRIPTION
1	SA-790-D	1	Dust Bag Assy.
2	63-304-A	2	Bag Hook
3	80-233-A	2	Handle Grip, Blue
4	80-321-C	2	Upper Handle
5	81-157-B	1	Cross Bar Upper
6	69-416-24	14	Bolt, Contour Hd. 1/4-20x1 1/2
7	365-416	4	Nut, Hex. Lock 1/4-20
8	945-416	2	Flatwasher 1/4
10	76-36-A	6	Special Washer
11	82-31-A	2	Spacer
15	81-116-A	2	Tubing End Cap
17	80-246-B	2	Pivot Bracket
18	936-516	2	Lockwasher, Int. Tooth 5/16
19	935-516	4	Lockwasher, Spring 5/16
20	80-228-A	2	Knurled Torque Knob
21	365-516	11	Nut, Hex. Lock 5/16-18
22	65-516-28	2	Bolt, Hex. Hd. 5/16-18x1 3/4
24	81-60-B	2	Middle Handle
25	65-516-36	2	Bolt, Hex. Hd. 5/16-18x2 1/4
26	80-238-A	2	Handle Inserts
27	65-516-12	3	Bolt, Hex. Hd. 5/16-18x3/4
28	65-416-32	2	Bolt, Hex. Hd. 1/4-20x2
29	50-230-A	4	Special Washer
30	78-130-A	2	Caster Bearing
31	82-194-C	1	Deflector Assy.
34	80-187-C	2	Truss Brace
35	54-227-A	4	Spacer
36	945-516	8	Flatwasher 5/16
37	65-516-16	4	Bolt, Hex. Hd. 5/16-18x1
38	335-416	14	Nut, Hex. Plain 1/4-20
39	935-416	14	Lockwasher 1/4
40	81-156-B	1	Cross Bar Lower
41	81-200-A	1	Bag Protector
43	76-136-B	2	Caster Fork
44	76-202-A	2	Axle
45	81-79-A	2	Roller
46	82-02-B	2	Caster Plate
47	81-117-C	1	Bag Platform
48	81-96-C	1	Frame, Bag Platform
49	81-145-B	1	Tank Bracket
*52	22-553-153	1	Lower Bracket
*53	22-533-154	1	Tank Support
*54	1-A-116-251-26	1	Gas Tank, 4 Qt.
*55	42-481-60	2	Self Tapping Screw
56	81-120-A	2	Spacer

*(Tecumseh Part No.)

CHASSIS ASSEMBLY



AF - 356

PARTS LIST

REF NO.	PART NO.	QTY. PER UNIT	DESCRIPTION
1	365-516	14	Nut, Hex. Lock 5/16-18
2	81-128-D-1	1	Engine, Tecumseh 5 H.P.
3	6165-A	1	Key, Engine
4	365-616	5	Nut, Hex. Lock 3/8-16
5	82-04-C	1	Upper Housing
6	73-414-A	1	Spacer
7	65-516-24	3	Bolt, Hex. Hd. 5/16-18x1½
9	SA-1014-B <i>R/W SA-1035-B</i>	1	Impeller Assembly
11	363-816	2	Nut, Hex. Lock 1/2-20
12	58-05-A	4	Flatwasher 1/2
13	58-06-A	2	Sleeve
14	SA-1036-C	2	Wheel & Tire Assy.
15	76-325-A	2	Spacer
16	60-816-52	2	Bolt, Hex. Hd. 1/2-20x3¼
17	81-115-A	1	Side Plate, L.H.
18	65-616-44	2	Bolt, Hex. Hd. 3/8-16x2¾
19	945-616	4	Flatwasher 3/8
20	935-516	2	Lockwasher, Spring 5/16
21	70-85-A	2	Spacer Bushing
22	70-69-A	2	Front Wheel
23	79-139-A	2	Blower Spacer
24	936-616	2	Lockwasher, Int. Tooth 3/8
25	81-129-B-5	4	Bolt, Hex. Hd. 3/8-16x1
26	81-129-B-4	2	Vinyl Spring Tip, Red
27	81-129-B-3	2	Spring Lever Assy.
	81-129-B-1	2	Slide Plate
	81-129-B-2	2	Back Plate
28	82-06-D	1	Housing Assembly
29	82-11-C	1	Support, Side Plate
32	81-114-A	1	Side Plate RH
*33	60-616-28	1	Bolt, Hex. Hd. 3/8-24x1¾
34	935-616	1	Lockwasher, Spring 3/8
35	400-1	1	Rub-R-Shim 1"
37	400-9.5	1	Rub-R-Shim 9½"
38	400-6	2	Rub-R-Shim 6"
39	81-123-A	1	Cross Brace
40	76-270-A	2	Insert
41	65-516-12	11	Bolt, Hex. Hd. 5/16-18x3/4
44	76-269-A	2	Lag Bolt 5/16x1
45	65-616-12	1	Bolt, Hex. Hd. 3/8-16x3/4

*Torque to 29-33 Ft. lbs.