



Electronic Service Manuals

This electronic document is provided as a service to our customers. We do not create the contents of the information contained in this document. Should you have detailed questions pertaining to the information contained in this document, you may contact Michco, or the manufacturer which provided the original information in this electronic deliverable. Michco's only part in this electronic deliverable was the electronic assembly process. By providing this manual on line we are not guaranteeing parts availability.

You may contact Michco through the following methods:

Phone (517) 484-9312 or (800) 331-3339

2011 N. High St. -- Lansing, Michigan -- 48906

Fax: (517) 484-9836

Email: CustServe@Michco.com

Web site: www.Michco.Com

Parts Web site: www.FloorMachineParts.Com

Order Parts on Line at:

www.FloorMachineParts.Com

Directly to Parts & Service:

By Email: **Shop@Michco.com**

By Fax: (517) 702-2041

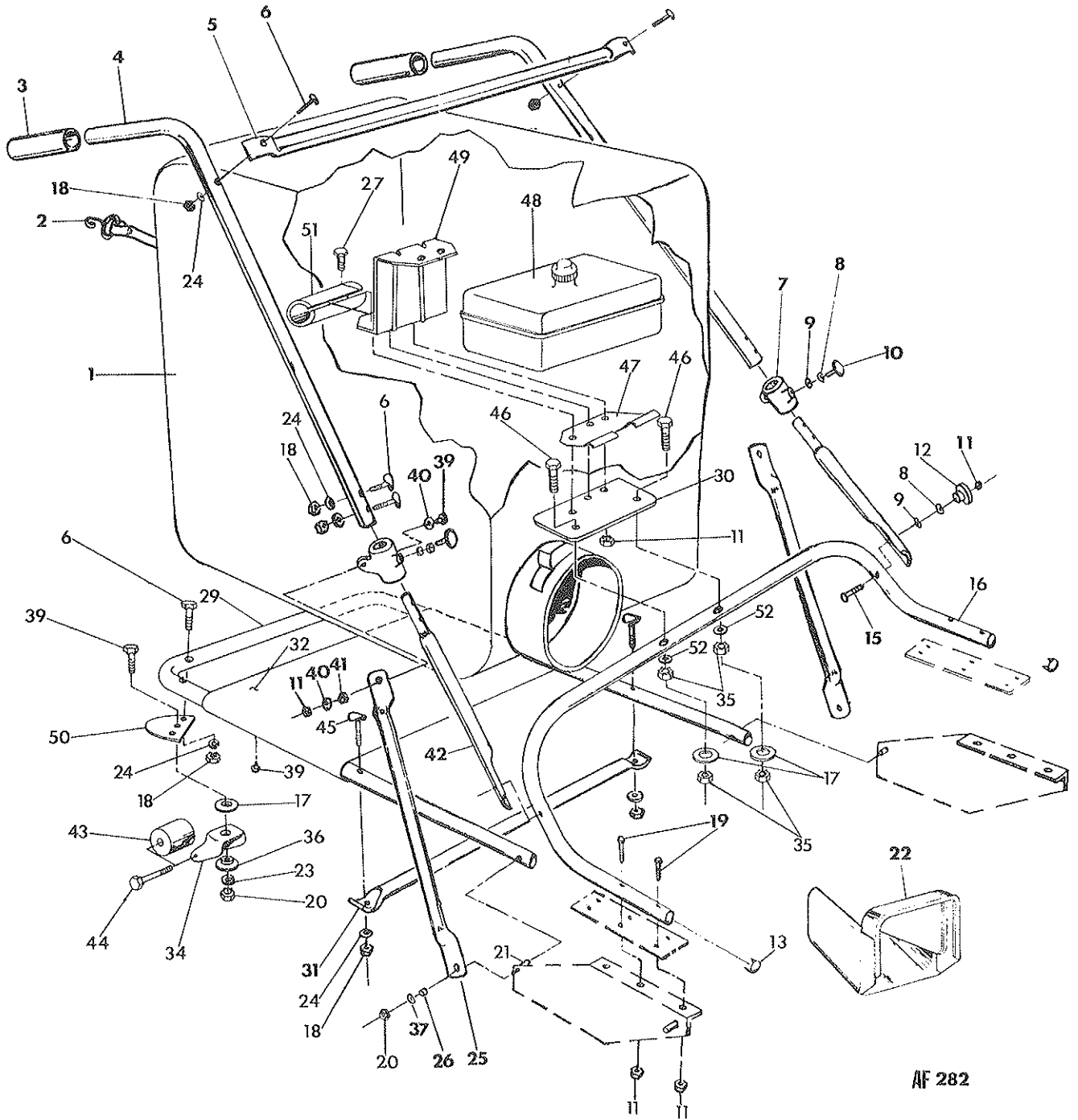
By Voice: Use numbers above.

Serving the Cleaning Industry Since 1922

Notice: All copyrighted material remains property of original owners, all trademarks are property of respective owners. Manuals are subject to Manufacturer's reproduction limitations. Originals or reproductions were provided by manufacturers through a request. We make no warranty as to the correctness of information provided in this document and you assume all risk. By placing these manuals on line we are not declaring our corporation to be an manufacturer authorized dealer or provider, please check our web site for authorized manufacturers we represent.

HANDLE AND BAG ASSEMBLY

AF-282



AF 282

HANDLE AND BAG ASSEMBLY

(AF-282)

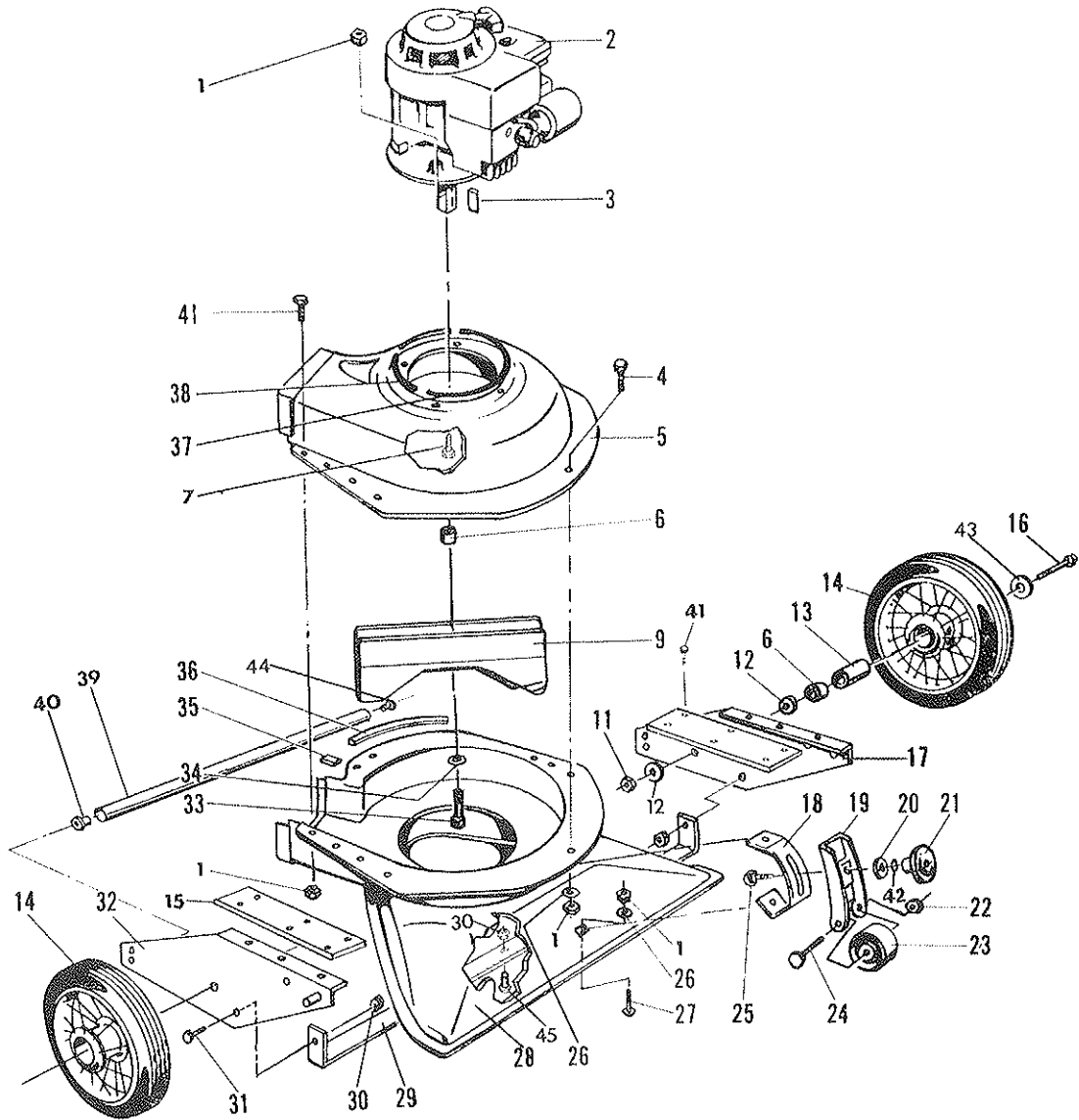
PARTS LIST

Ref. Part No.	Part No.	Qty. Per Unit	Description	Ref. Part No.	Part No.	Qty. Per Unit	Description
1	SA-790-D	1	Dust Bag Assembly	27	65-516-12	6	Bolt, Hex Hd., 5/16-18x¾
2	63-304-A	2	Bag Hook	28	69-516-32	1	Bolt, Cont. Hd., 5/16-18x2
3	80-232-A	2	Grip, Handle - Blue	29	81-195-C	1	Frame, Bag Platform
4	80-321-C	2	Upper Handle	30	81-145-B	1	Tank Plate
5	80-313-B	1	Cross Bar - Upper	31	80-172-C	1	Cross Brace
6	69-416-24	10	Bolt, Cont. Hd., ¼-20x1½	32	80-170-C	1	Bag Platform
7	80-246-B	2	Pivot	33	80-265-A	1	Pivot Bearing Block
8	936-616	4	Lock Washer, ¾ Int. Tooth	34	76-136-B	2	Caster Fork
9	935-616	4	Lock Washer, ¾	35	365-416	6	Nut, Hex Lock, ¼-20
10	80-228-A	2	Knurled Torque Knob	36	50-230-A	3	Washer, Special
11	365-516	11	Nut, Hex Lock, 5/16-18	37	935-516	4	Lockwasher Int. Tooth
12	79-94-A	2	Plastic Knob	38	77-27-A	1	Screw, Self-Tapping, 10-16x¾
13	80-267-A	2	Cap, Tube	39	65-516-16	4	Bolt, Hex Hd, 5/16-18x1
14	59-77-A	1	Clamp	40	945-516	4	Flat Washer, 5/16
15	81-94-A	2	Bolt, Carriage, 5/16-18x2¾	41	54-227-A	2	Spacer
16	81-150-C	1	Lower Handle	42	80-320-C	2	Middle Handle
17	78-130-A	2	Bearing, Caster	43	81-79-A	2	Roller
18	335-416	12	Nut, Hex, Plain, ¼-20	44	76-202-A	2	Axle
19	65-516-28	4	Bolt, Hex Hd., 5/16-18x1¾	45	69-416-20	2	Bolt, Cont. Hd. ¼-20x1¼
20	335-516	3	Nut, Hex Plain	46	65-416-32	2	Bolt, Hex. Hd. ¼-20x2
21	80-299-A	2	Pin, Hinge	*47	22-553-154	1	Bracket, Lower
22	80-215-C	1	Deflector Weldment	*48	1A-116-251-26	1	Gas Tank
23	935-516	2	Lock Washer 5/16	*49	22-553-153	1	Bracket
24	935-416	12	Lock Washer, ¼	50	81-95-B	2	Caster Plate
25	80-187-C	2	Truss Brace	51	81-200-A	1	Bag Protector
26	54-227-A	2	Spacer	52	945-416	2	¼ Flatwasher

*(Tecumseh Part No.)

CHASSIS ASSEMBLY

AF-281



AF 281

CHASSIS ASSEMBLY

(AF-281)

PARTS LIST

Ref. No.	Part No.	Qty. Per Unit	Description	Ref. No.	Part No.	Qty. Per Unit	Description
1	365-516	12	Nut, Hex Lock, 5/16	22	265-616	1	Nut, Hex Lock, 3/8-16
2	81-128-D	1	Engine, Tecumseh 5 H.P.	23	64-169-A	1	Roller
3	61-65-A	1	Key, Engine	24	65-616-48	1	Bolt, Hex Hd. 3/8-16x3
4	65-516-16	1	Bolt, Hex Hd 5/16-18x1	25	70-516-32	1	Bolt, Carriage, 5/16-18x2
5	63-280-F	1	Upper Housing	26	945-516	2	Flat Washer, 5/16
6	73-414-A	3	Spacer	27	70-516-12	1	Bolt, Carriage, 5/16-18x3/4
7	65-516-24	3	Bolt, Hex Hd, 5/16-18x1 1/2	28	81-147-D	1	Housing Assembly
9	SA-654-B	1	Impeller Assembly	29	80-165-B	1	Support, Side Plate
11	368-816	2	Nut, Thin Hex Lock, 1/2-20	30	365-416	4	Nut, Hex Lock, 1/4-20
12	68-95-A	4	Flat Washer, 1/2	31	65-416-16	2	Bolt, Hex Hd., 1/4-20x1
13	73-33-A	2	Wheel Bushing	32	78-60-RB	1	Side Plate, R.H.
14	SA-357-C	2	Wheel Assembly	*33	60-616-28	1	Bolt, Hex Hd., 3/8-24x1 3/4
15	80-168-B	2	Extension Plate	34	935-616	1	Washer, Lock, 3/8
16	60-816-76	2	Bolt, Hex Hd., 1/2-20x4 3/4	35	400-1	1	Rub-R-Shim 1"
17	78-59-LB	1	Side Plate, L.H.	36	63-299-A	1	Rubber Molding
18	66-216-B	1	Front Roller Support	37	400-9.5	1	Rub-R-Shim 9/2"
19	64-197-B	1	Fork, Roller	38	400-6	1	Rub-R-Shim 6"
20	935-516	1	Washer, Lock, 5/16	39	80-166-A	1	Cross Brace, Tube
21	79-94-A	1	Adjusting Knob	40	76-270-A	2	Insert
				41	65-516-12	12	Bolt, Hex Hd., 5/16-18x3/4
				42	936-516	1	Washer, Lock, Int. Tooth
				43	945-816	2	Flat Washer 1/2
				44	76-269-A	2	Lag Bolt 5/16x1 1/2
				45	65-416-10	1	Hex Hd. Bolt 1/4-20x3/8

*Torque to 29-33 ft. lbs.