



## Electronic Service Manuals

This electronic document is provided as a service to our customers. We do not create the contents of the information contained in this document. Should you have detailed questions pertaining to the information contained in this document, you may contact Michco, or the manufacturer which provided the original information in this electronic deliverable. Michco's only part in this electronic deliverable was the electronic assembly process. By providing this manual on line we are not guaranteeing parts availability.

You may contact Michco through the following methods:

Phone (517) 484-9312 or (800) 331-3339

2011 N. High St. -- Lansing, Michigan -- 48906

Fax: (517) 484-9836

Email: [CustServe@Michco.com](mailto:CustServe@Michco.com)

Web site: [www.Michco.Com](http://www.Michco.Com)

Parts Web site: [www.FloorMachineParts.Com](http://www.FloorMachineParts.Com)

Order Parts on Line at:

**[www.FloorMachineParts.Com](http://www.FloorMachineParts.Com)**

Directly to Parts & Service:

By Email: **[Shop@Michco.com](mailto:Shop@Michco.com)**

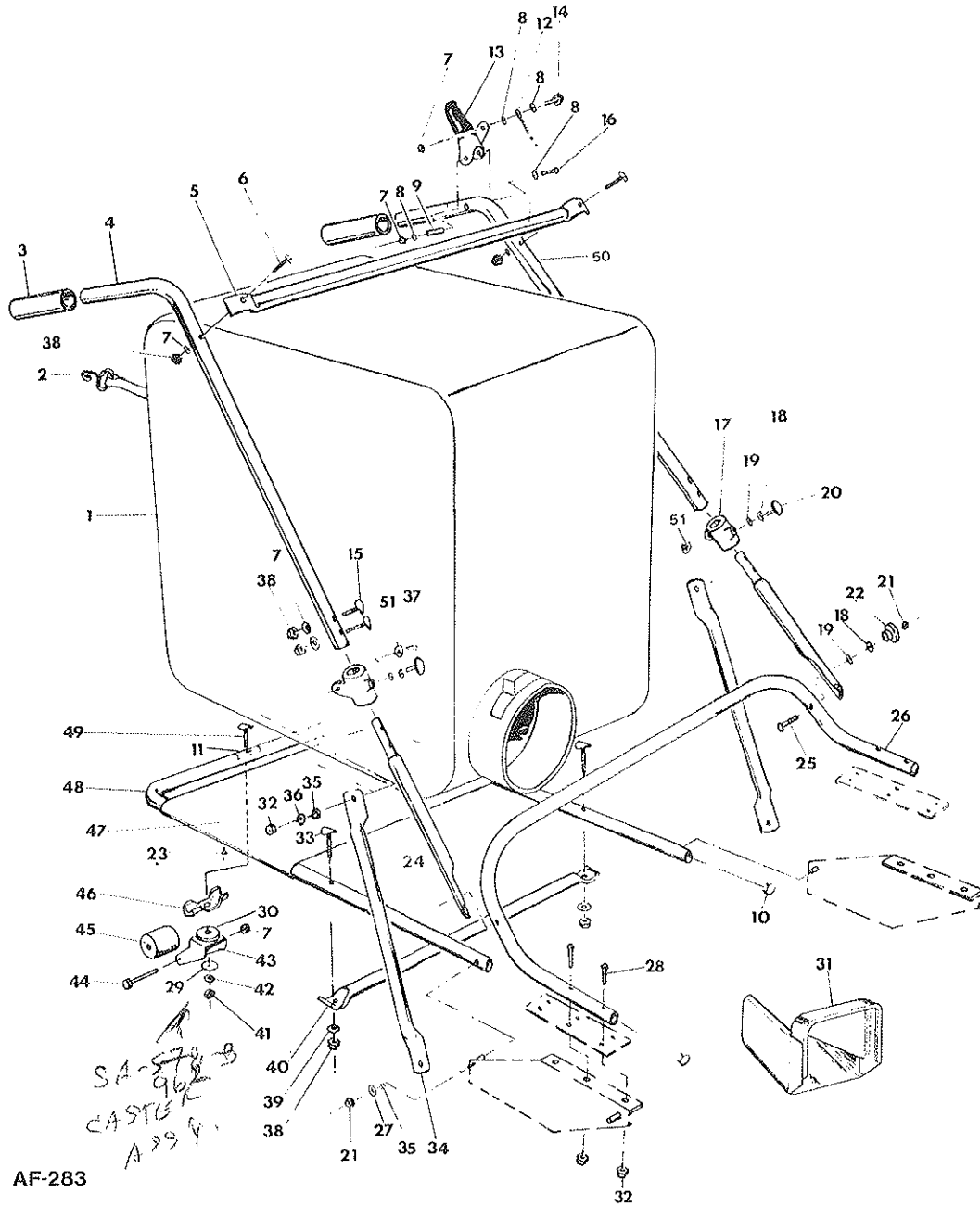
By Fax: (517) 702-2041

By Voice: Use numbers above.

**Serving the Cleaning Industry Since 1922**

Notice: All copyrighted material remains property of original owners, all trademarks are property of respective owners. Manuals are subject to Manufacturer's reproduction limitations. Originals or reproductions were provided by manufacturers through a request. We make no warranty as to the correctness of information provided in this document and you assume all risk. By placing these manuals on line we are not declaring our corporation to be an manufacturer authorized dealer or provider, please check our web site for authorized manufacturers we represent.

HANDLE & BAG ASSEMBLY



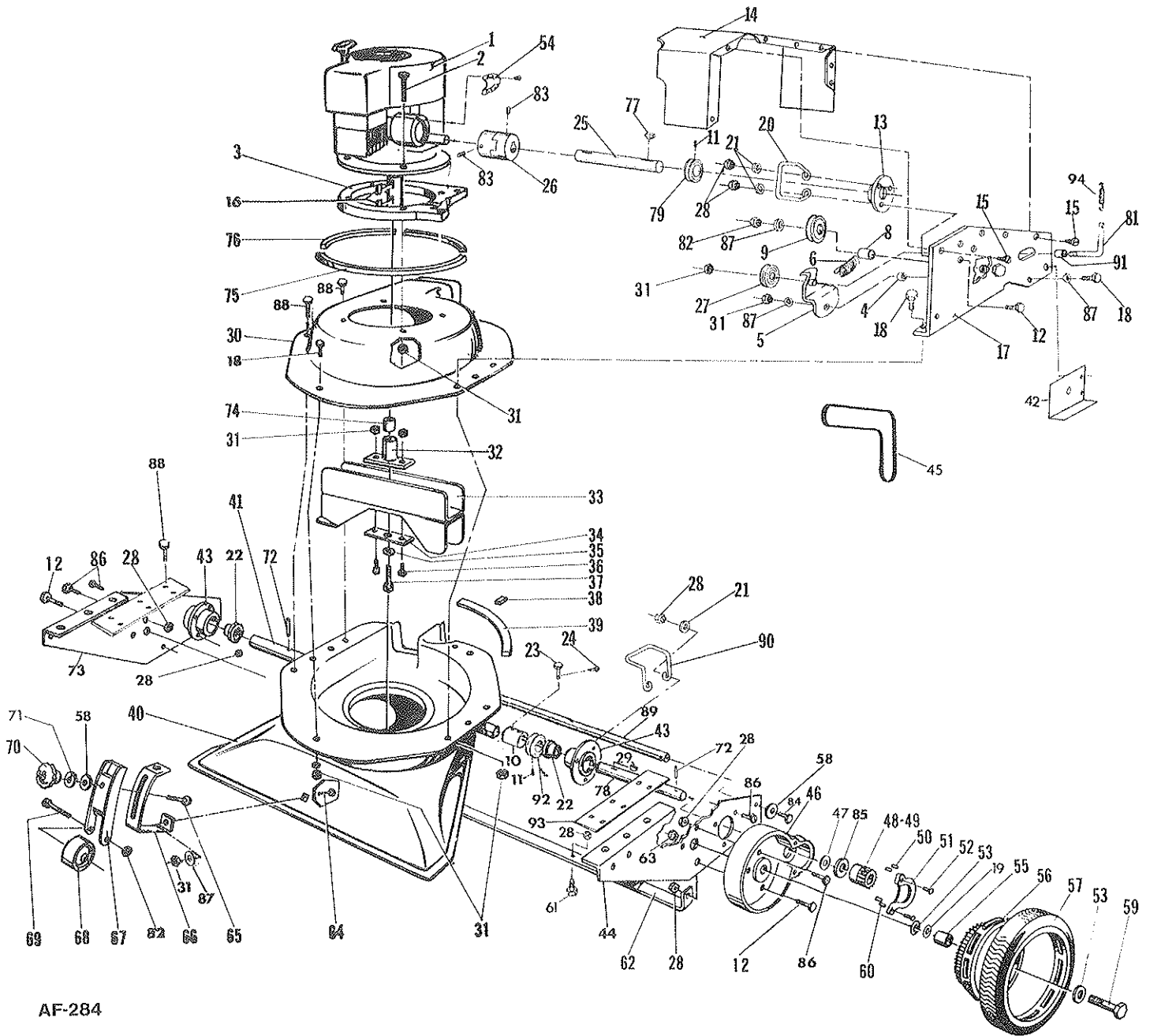
HANDLE & BAG ASSEMBLY

(AF-283)

PARTS LIST

Ref. No.	Part No.	Qty. Per Unit	Description	Ref. No.	Part No.	Qty. Per Unit	Description
1	<del>SA-790-D</del>	1	Dust Bag Assembly <i>MA-426-1</i>	26	80-173-C	1	Lower Handle
2	63-304-A	2	Bag Hook	27	945-516	2	Washer, Flat, 5/16
3	<del>80-233-A</del>	2	Handle Grip, Blue <i>80-232-A</i>	28	65-516-32	4	Bolt, Hex Hd., 5/16-18x2
4	80-321-C	1	Upper Handle, R.H.	29	50-230-A	1	Washer, Special, 5/16
5	80-313-D	1	Cross Bar, Upper	30	78-130-A	1	Bearing, Caster
6	69-416-24	2	Bolt, Cont. Hd., 1/4-20x1 1/2	31	<del>80-215-C</del>	1	Deflector Weldment <i>82-194-c</i>
7	365-416	9	Nut, Hex Lock, 1/4-20	32	365-516	4	Nut, Hex Lock, 5/16-18
8	945-416	4	Washer, Flat, 1/4	33	69-416-20	2	Bolt, Contour Hd., 1/4-20x1 1/2
9	<del>81-15-A</del>	1	Spacer	34	80-187-C	2	Truss Brace
10	80-267-A	2	Cap, Tube	35	54-227-A	4	Spacer
11	59-77-A	1	Clamp	36	945-516	3	Flat Washer, 5/16
12	80-303-A	1	Cable, Clutch	37	65-516-16	2	Bolt, Hex Hd., 5/16-18x1
13	<del>80-300-A</del>	1	Grip Assy., Clutch <i>SA-1176-A</i>	38	335-416	8	Nut, Hex 1/4-20
14	65-416-16	1	Bolt, Hex, 1/4-20x1	39	935-416	2	Washer, Lock, 1/4
15	69-416-24	4	Bolt, Contour Hd., 1/4-20x1 1/2	40	80-172-C	1	Cross Brace
16	65-416-32	1	Bolt, Hex Hd., 1/4-20x2	41	335-516	1	Nut, Hex 5/16-18
17	80-246-B	2	Pivot	42	935-516	1	Washer, Lock, 5/16
18	936-516	4	Lock Washer Int. Tooth, 5/16	43	76-136-B	1	Caster Fork
19	935-516	4	Lock Washer, 5/16	44	76-202-A	1	Axle
20	80-228-A	2	Knurled Torque Knob	45	76-58-A	1	Roller
21	365-516	4	Nut, Hex Lock, 5/16	46	80-265-A	1	Pivot Bearing Block
22	79-94-A	2	Plastic Knob	47	<del>80-170-C</del>	1	Bag Platform <i>81-195-c</i>
23	77-27-A	2	Screw, Self Tapping, Truss Head, #10-15x5/8	48	<del>80-169-C</del>	1	Frame, Bag Platform <i>81-195-c</i>
24	80-320-C	2	Middle Handle	49	69-516-32	1	Bolt, Contour Hd., 5/16-18x2
25	<del>70-156-44</del>	2	Bolt, Carriage, 5/16-18x2 3/4	50	80-324-C	1	Upper Handle, L.H.
	<i>70-516-44</i>			51	80-335-A	1	Clamp

CHASSIS ASSEMBLY



AF-284

## CHASSIS ASSEMBLY

(AF-284)

## PARTS LIST

Ref. No.	Part No.	Qty. Per Unit	Description	Ref. No.	Part No.	Qty. Per Unit	Description
1	<del>78-156-A</del>	1	Engine	48	74-78-RB	1	Pinion, R.H.
2	65-516-32	3	5/16-18x2 Hex Hd. Bolt	49	74-79-LB	1	Pinion, L.H.
3	77-112-B	1	Adapter Ring	50	74-80-A	4	Roller - Pinion
4	80-317-A	1	Spacer	51	80-01-B	2	Pinion Cover
5	80-244-A	1	Clutch Arm	52	61-416-6	4	1/4-20x3/8 Hex Hd. Bolt
6	80-193-A	1	Extension Spring	53	<del>58-05-A</del>	4	1/2" Special Washer
8	80-213-A	1	Spacer	54	80-266-A	1	Muffler Deflector
9	76-456-A	1	Clutch Pulley	55	<del>58-06-A</del>	2	Sleeve
10	80-180-A	1	Coupling	56	<del>58-14-0-1</del>	2	Wheel
11	564-C-416-4	2	Set Screw 1/4-20x1/4	57	75-88-C	2	Tire
12	65-416-16	1	Bolt, Hex Hd. 1/4-20x1	58	935-516	3	Lockwasher 5/16
13	SA-863-A	1	Bearing Support	59	<del>60-816-56</del>	2	1/2-20x3 1/2 Hex Hd. Bolt
14	80-183-D	1	Guard	60	76-37-A	4	Pawl Spring
15	77-27-A	7	Self-Tapping Screws	61	65-416-10	1	1/4-20x3/8 Hex Hd. Bolt
16	64-43-A	2	Hi-Pro Key #505	62	80-165-B	1	Side Plate Support
17	80-210-C	1	Upper Side Plate	63	363-816	2	1/2-20 Hex Lock Nut
18	65-516-16	5	5/16-18x1 Hex Hd. Bolt	64	70-516-12	1	5/16-18x3/4 Carriage Bolt
19	946-1416-20	2	Fiber Washer	65	70-516-32	1	5/16-18x2 Carriage Bolt
20	80-211-A	1	Belt Popper	66	<del>66-216-B</del>	1	Front Roller Support
21	945-416	3	Washer, Flat, 1/4	67	<del>64-167-B</del>	1	Roller Fork
22	68-60-A	2	Bearing	68	<del>64-169-A</del>	1	Roller
23	80-44-A	1	Clevis Pin	69	65-616-48	1	3/8-16x3 Hex Hd. Bolt
24	380-332-8	1	Cotter Pin	70	79-94-A	1	Knob, Plastic, 5/16-18
25	80-182-A	1	Clutch Shaft	71	936-516	1	Lockwasher, Int. Th. 5/16
26	<del>78-197-A</del>	1	Flexible Coupling Assy.	72	<del>67-521-</del>	2	Roll Pin, 3/16x1
27	SA-864-A	1	Bearing & Sheave	73	79-83-RC	1	Side Plate, R.H.
28	365-416	17	1/4-20 Hex Lock Nut	74	<del>77-106-A</del>	1	Fan Spacer
29	63-132-A	1	Hi-Pro Key, #606 <i>81-144-D</i>	75	<del>400-914</del>	1	Rubber Shim <i>64-178-B-9.5</i>
30	<del>63-280-F</del>	1	Upper Blower Housing Weldment	76	<del>400-6</del>	2	Rubber Shim <i>64-178-B-6</i>
31	365-516	20	5/16-18 Hex Lock Nut	77	79-39-A	1	Hi-Pro Key, #405
32	77-103-A	1	Blade Adapter	78	80-179-A	1	Shaft
33	63-287-B	1	Fan Blade Assy.	79	80-283-A	1	Sheave
34	63-305-A	1	Anchor Plate	81	80-315-A	1	Clutch Control Rod
35	935-516	1	3/8 Lock Washer	82	365-616	2	Lock Nut 3/8-16
36	65-516-20	2	5/16-18x1 1/4 Hex Hd. Bolt	83	564-C-416-6	3	1/4-20x3/8 Allen Hd. Set Screw
37	60-616-40	1	3/8-24x2 1/2 Hex Hd. Bolt	84	76-269-A	2	5/16x1 1/2 Lag Bolt
38	<del>400-1-</del>	1	Rubber Shim <i>64-178-A</i>	85	945-1016	2	3/8 Flat Washer
39	<del>63-299-A</del>	1	Rubber Molding	86	65-416-12	12	1/4-20x3/4 Hex Hd. Bolt
40	<del>80-322-D</del>	1	Housing & Silkscreen	87	945-516	4	Flat Washer 5/16
41	80-178-A	1	Drive Shaft	88	65-516-12	8	5/16-18x3/4 Hex Hd. Bolt
42	80-207-A	1	Side Guard	89	SA-856-A	1	Cross Brace Assy.
43	78-70-B-M2	2	Bearing Support	90	80-212-A	1	Belt Popper
44	79-82-LC	1	Side Plate, L.H.	91	51-23-A	1	Spacer
45	80-222-A	1	Belt	92	80-282-A	1	Sheave
46	78-69-C	2	Dust Cover	93	80-168-B	2	Extension Plate
47	79-104-A	2	Retaining Ring	94	74-167-A	1	Spring