



Electronic Service Manuals

This electronic document is provided as a service to our customers. We do not create the contents of the information contained in this document. Should you have detailed questions pertaining to the information contained in this document, you may contact Michco, or the manufacturer which provided the original information in this electronic deliverable. Michco's only part in this electronic deliverable was the electronic assembly process. By providing this manual on line we are not guaranteeing parts availability.

You may contact Michco through the following methods:

Phone (517) 484-9312 or (800) 331-3339

2011 N. High St. -- Lansing, Michigan -- 48906

Fax: (517) 484-9836

Email: CustServe@Michco.com

Web site: www.Michco.Com

Parts Web site: www.FloorMachineParts.Com

Order Parts on Line at:

www.FloorMachineParts.Com

Directly to Parts & Service:

By Email: **Shop@Michco.com**

By Fax: (517) 702-2041

By Voice: Use numbers above.

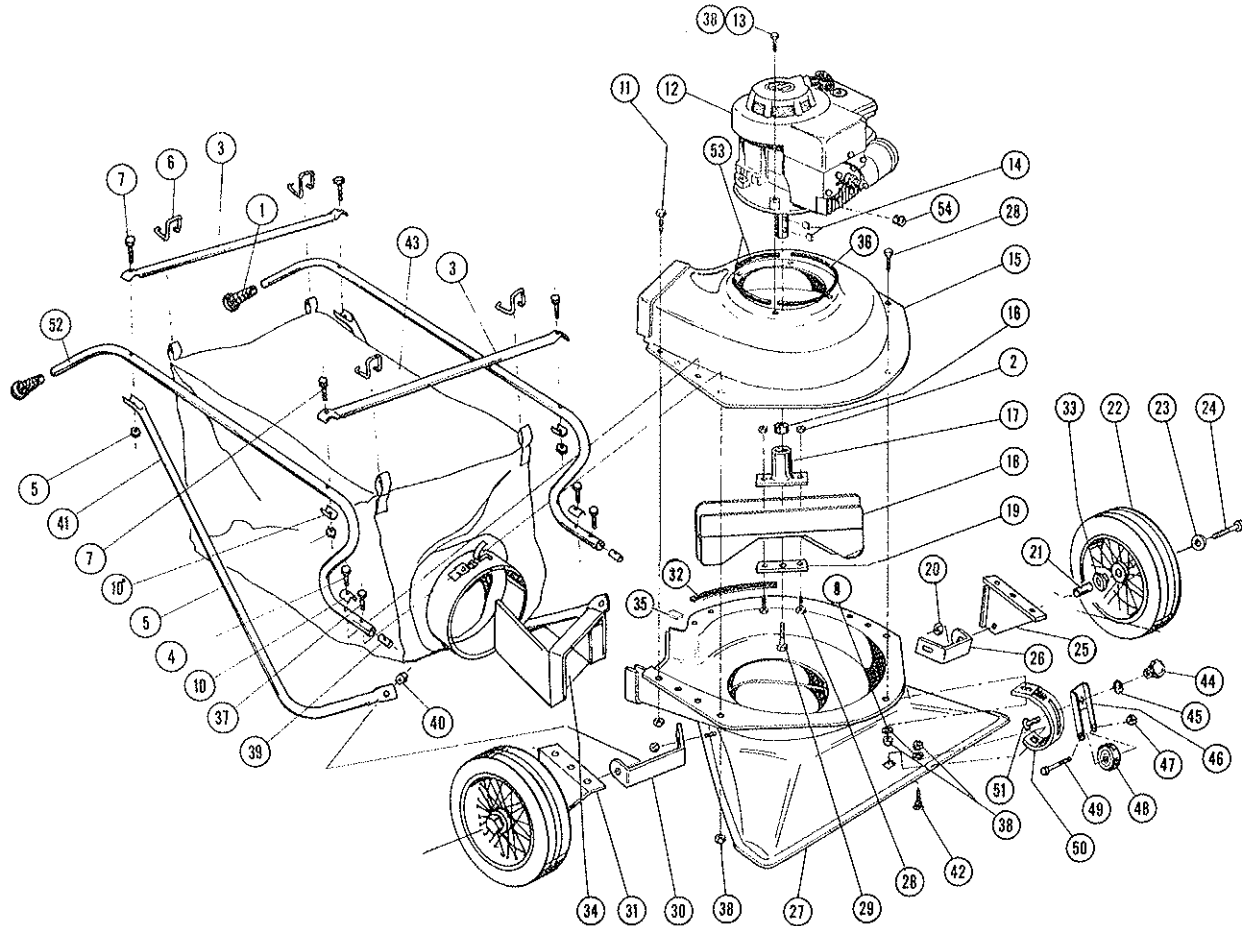
Serving the Cleaning Industry Since 1922

Notice: All copyrighted material remains property of original owners, all trademarks are property of respective owners. Manuals are subject to Manufacturer's reproduction limitations. Originals or reproductions were provided by manufacturers through a request. We make no warranty as to the correctness of information provided in this document and you assume all risk. By placing these manuals on line we are not declaring our corporation to be an manufacturer authorized dealer or provider, please check our web site for authorized manufacturers we represent.

SV-7630 SCAVENGER[®]

30" VACUUM SWEEPER

SECTION 6



350880 DUST BAG

PARTS LIST

Ref. No.	Part No.	Qty. Per Unit	Description of Part	Ref. No.	Part No.	Qty. Per Unit	Description of Part
1	64-152-A	2	Grip-Handle	28	65-516-16	3	Bolt-Hex Head $\frac{5}{16}$ -18 x 1"
2	364-516	2	Nut Hex Lock Esna $\frac{5}{16}$ -18 Thin	29	60-616-28-	1	Bolt-Hex Head $\frac{3}{8}$ -24 x 1 $\frac{3}{4}$
3	63-275-B	2	Cross Bar	30	75-196-B	1	Brace-Wheel Long
4	65-516-28	2	Bolt-Hex Head $\frac{5}{16}$ -18 x 1 $\frac{3}{4}$	31	75-192-C	1	Bracket-Wheel R.H.
5	364-416	4	Nut-Hex Lock Esna $\frac{1}{4}$ -20 Thin	32	63-299-A	1	Molding-Rubber
6	63-304-A	4	Hook-Bag Hanger	33	73-97-A	4	Bearing-Wheel
7	65-416-24	4	Bolt-Hex Head $\frac{1}{4}$ -20 x 1 $\frac{1}{2}$	34	65-421-C	1	Deflector 82-194-C
8	945-516	2	Washer-Flat $\frac{5}{16}$ SAE	35	400-1	1	Rub-R-Shim #64 $\frac{5}{16}$ x $\frac{3}{8}$ 64-178-A
9	67-78-A	1	Siphon Pump (Not Shown)	36	400-9-1/2	1	Rub-R-Shim #64 $\frac{5}{16}$ x $\frac{3}{8}$ 64-178-A-9.5
10	59-77-A	4	Clamp-Tube	37	65-516-24	2	Bolt-Hex Head $\frac{5}{16}$ -18 x 1 $\frac{1}{2}$
11	65-516-12	5	Bolt-Hex Head $\frac{5}{16}$ -18 x $\frac{3}{4}$	38	365-516	16	Nut-Hex Esna $\frac{5}{16}$ -18
12	65-428-A	1	Engine	39	75-30-A	2	Insert-Handle
13	65-516-20	3	Bolt-Hex Head $\frac{5}{16}$ -18 x 1 $\frac{1}{4}$	40	363-8	2	Nut-Hex Lock
14	64-43-A	2	Key-Hi Pro HP-505	41	75-197-C	2	Handle-Truss Brace
15	63-280-F	1	Housing-Upper 82-04-C	42	73-516-12	1	Step-Bolt $\frac{5}{16}$ -18 x $\frac{3}{4}$
16	64-25-A	1	Spacer-Engine Shaft 73-414-A	43	64-171-F	1	Dust Bag MA-426-1
17	63-298-A	1	Adapter-Fan Blade	44	59-47-B	1	Knob-Adjusting
18	63-287-B	1	Fan Assembly	45	935-516	1	Washer-Lock $\frac{5}{16}$
19	63-305-A	1	Plate-Retainer	46	64-167-B	1	Fork-Roller
20	368-816	2	Nut-Hex $\frac{1}{2}$ -20 N.F.	47	365-616	1	Nut-Hex Lock $\frac{3}{8}$ -16
21	73-33-A	2	Bushing-Wheel	48	64-169-A	1	Wheel-With Bushing
22	73-29-A	2	Wheel SA-357-C	49	65-616-48	1	Bolt-Hex Head $\frac{3}{8}$ -16 x 3"
23	945-816	2	Washer-Flat SAE $\frac{1}{2}$	50	66-216-B	1	Support-Front Roller
24	60-816-80	2	Bolt-Hex Hd. $\frac{1}{2}$ -20 x 5	51	70-516-32	1	Bolt-Carriage $\frac{5}{16}$ -18 x 2"
25	75-193-C	1	Bracket-Wheel L.H.	52	75-198-D	1	Handle
26	75-195-B	1	Brace-Wheel Short	53	400-6	2	Rub-R-Shim #64 $\frac{5}{16}$ x $\frac{3}{8}$ 64-178-A-6
27	67-76-F	1	Nozzle Assembly 80-308-C	54	64-84-A	1	Plug-Rubber