



## Electronic Service Manuals

This electronic document is provided as a service to our customers. We do not create the contents of the information contained in this document. Should you have detailed questions pertaining to the information contained in this document, you may contact Michco, or the manufacturer which provided the original information in this electronic deliverable. Michco's only part in this electronic deliverable was the electronic assembly process. By providing this manual on line we are not guaranteeing parts availability.

You may contact Michco through the following methods:

Phone (517) 484-9312 or (800) 331-3339

2011 N. High St. -- Lansing, Michigan -- 48906

Fax: (517) 484-9836

Email: [CustServe@Michco.com](mailto:CustServe@Michco.com)

Web site: [www.Michco.Com](http://www.Michco.Com)

Parts Web site: [www.FloorMachineParts.Com](http://www.FloorMachineParts.Com)

Order Parts on Line at:

**[www.FloorMachineParts.Com](http://www.FloorMachineParts.Com)**

Directly to Parts & Service:

By Email: **[Shop@Michco.com](mailto:Shop@Michco.com)**

By Fax: (517) 702-2041

By Voice: Use numbers above.

**Serving the Cleaning Industry Since 1922**

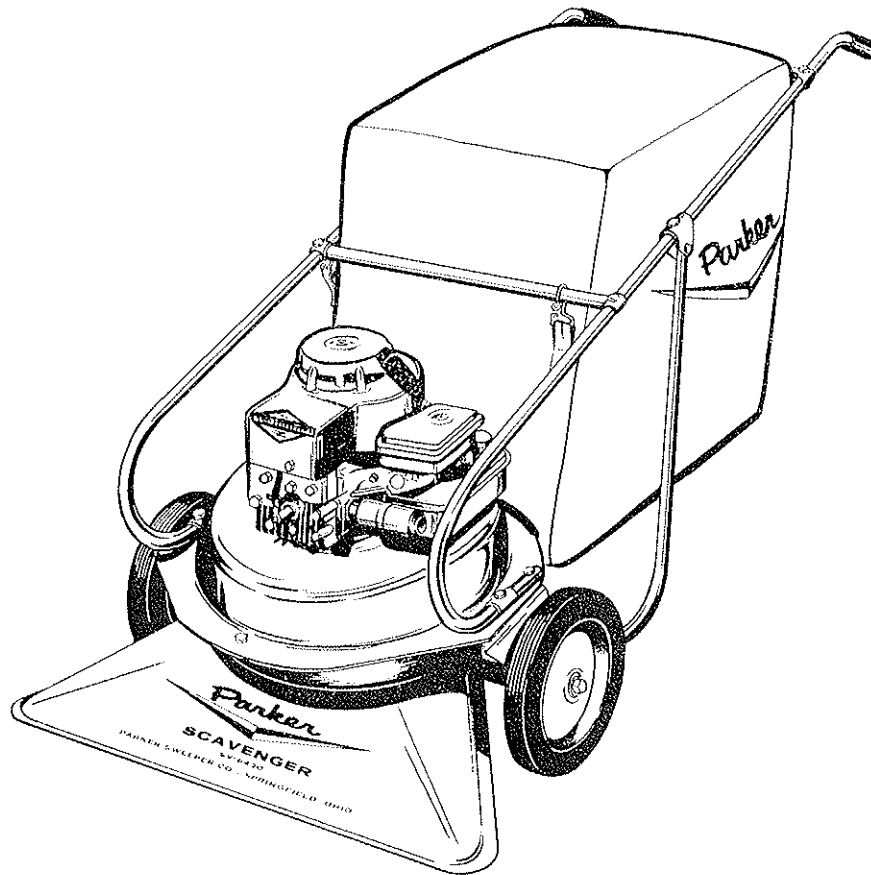
Notice: All copyrighted material remains property of original owners, all trademarks are property of respective owners. Manuals are subject to Manufacturer's reproduction limitations. Originals or reproductions were provided by manufacturers through a request. We make no warranty as to the correctness of information provided in this document and you assume all risk. By placing these manuals on line we are not declaring our corporation to be an manufacturer authorized dealer or provider, please check our web site for authorized manufacturers we represent.

ASSEMBLY INSTRUCTIONS  
OPERATING INSTRUCTIONS  
AND PARTS LIST  
FOR

*Parker*

**SV-6430 SCAVENGER**

30" VACUUM SWEEPER



NOTICE: These instructions were written to assist you in assembling your Vacuum Sweeper quickly and correctly. Read instructions thoroughly before attempting assembly so that you are familiar with the complete picture.

**PARKER SWEEPER COMPANY**

BOX 1728

SPRINGFIELD, OHIO 45501-1728

## ASSEMBLY INSTRUCTIONS

1. Swing deflector down and fasten in place with the four Phillips screws provided. See Fig. 1.
2. Remove bolt at point "A", Fig. 1, on both sides of sweeper. Also remove bolt which holds steel plug in end of lower handle. Position lower handles on sweeper and replace bolts and nuts as they were.
3. Remove nut on end of each axle at point "B," Fig 2. Swing handle-support forward and position on to axle. Replace nuts.

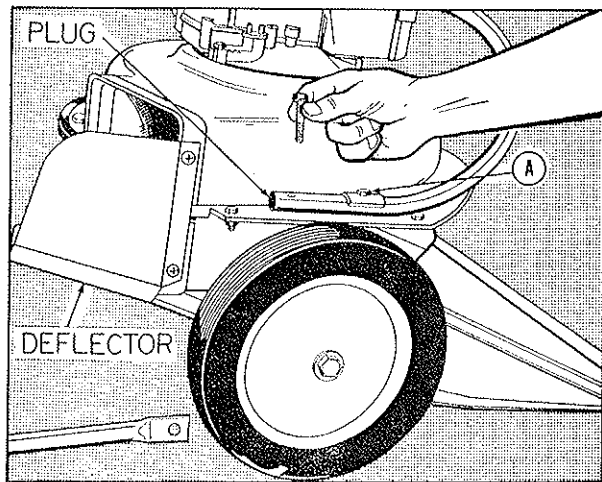


Fig. 1

4. Remove bolts at point "C," Fig. 2. Insert ends of upper handles into lower handles. Replace bolts and nuts.
5. Fasten bag to debris opening on sweeper with bag strap. Place four bag hooks over cross bars.

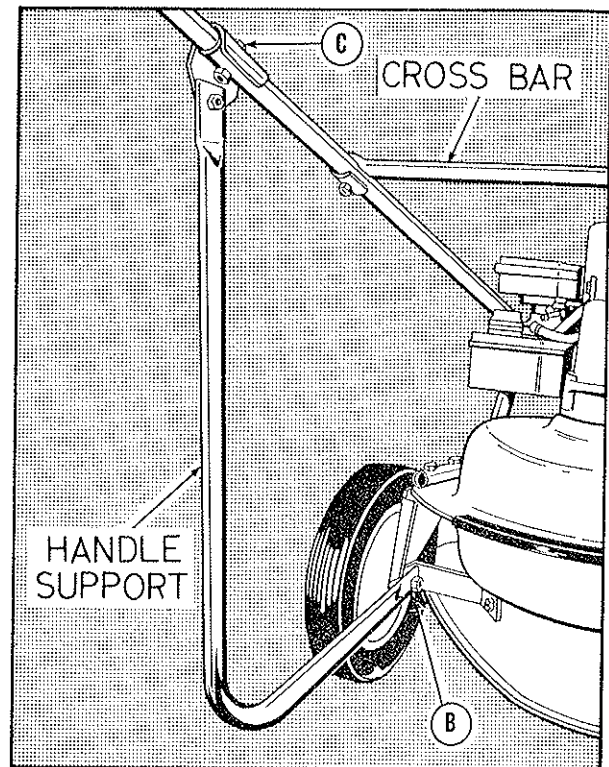


Fig. 2

## OPERATING INSTRUCTIONS

1. **IMPORTANT:** Read engine manual and add proper gasoline and oil to engine.
2. Choke engine each time it is started (see engine manual).
3. Make sure bag is in place whenever Vac is being pushed.
4. To insure dust bag breathing, empty bag often, never allow debris to remain in bag after use.
5. No lubrication is required on Vac (except engine).
6. Clean and re-oil air cleaner every 25 hours (more often under dusty conditions --- see engine manual).

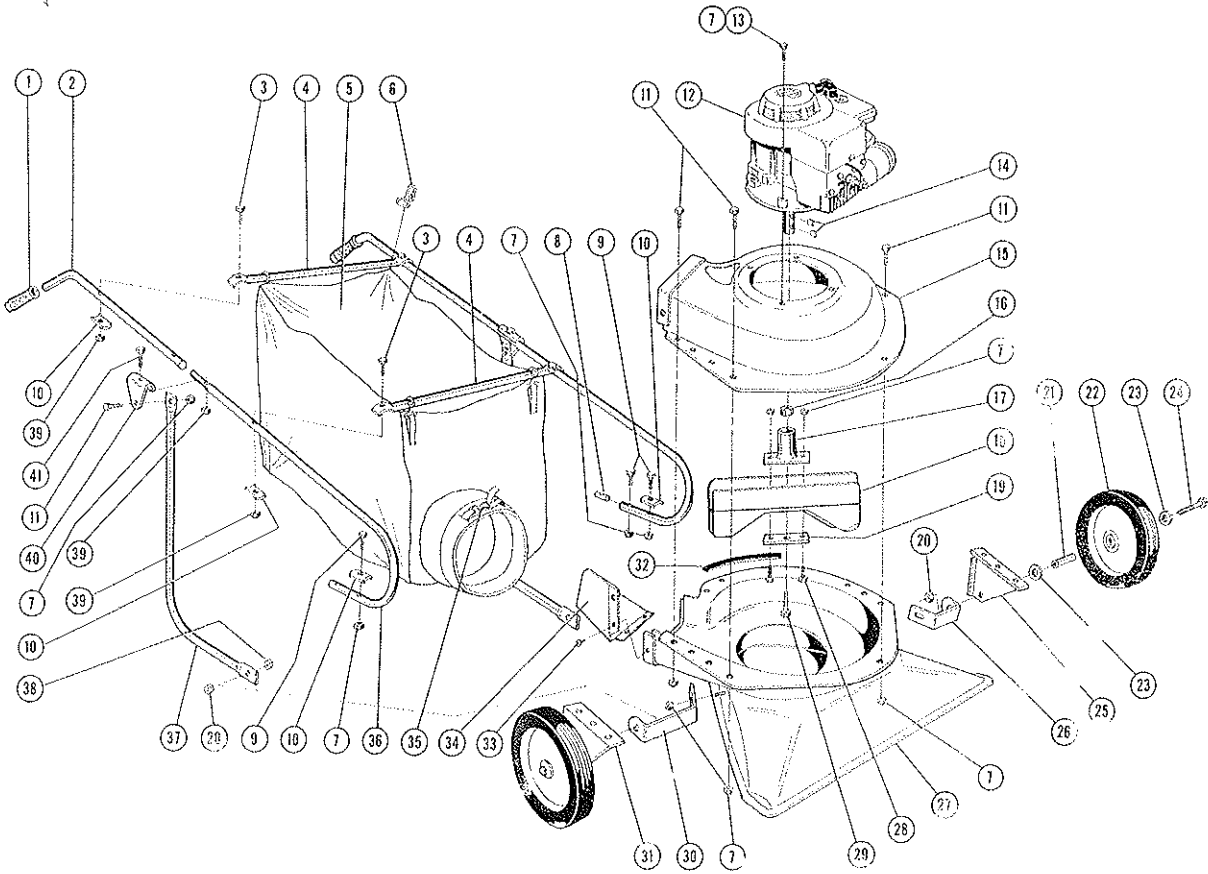
### ALWAYS GIVE THE FOLLOWING INFORMATION WHEN ORDERING REPAIR PARTS:

**IMPORTANT**

1. PART NUMBER (Not Ref. No.)
2. QUANTITY NEEDED
3. DESCRIPTION OF PART
4. SERIAL No. (Found on Guarantee Card)
5. MODEL No. SV-6430

If unable to obtain parts locally, write down above information and send to:  
PARKER SWEEPER CO., BOX 720, SPRINGFIELD, OHIO

\*Standard hardware items may be purchased locally (see Parts List)



### PARTS LIST

Ref. No.	Part No.	Qty. Per Unit	Description	Ref. No.	Part No.	Qty. Per Unit	Description
1	<del>61-26-A</del>	2	Grip—Handle	23	*945-816	4	Washer—Flat SAE 1/2
2	<del>63-301-C</del>	2	Handle—Upper	24	<del>63-272-A</del>	2	Axle
3	*65-416-24 ✓	4	Bolt—Hex Head—1/4-20 x 1 1/2	25	<del>63-284-IC</del>	1	Bracket—Wheel L.H.
4	<del>63-275-B</del>	2	Bar—Cross	26	<del>63-269-B</del>	1	Brace—Wheel—Short
5	<del>63-278-F</del>	1	Bag—Dust <i>MA-426</i>	27	<del>63-306-C</del>	1	Nozzle—Assembly <i>23</i>
6	<del>63-304-A</del>	4	Hook—Bag Hanger	28	*65-516-16 ✓	2	Bolt—Hex Head—3/8-18 x 1
7	365-516	20	Nut—Hex Lock—3/8-18	29	<del>60-616-28</del>	1	Bolt—Hex Head—3/8-24 x 1 3/4 (Nylon Insert)
8	<del>61-13-A</del>	2	Insert—Handle <i>75-30-A</i>	30	<del>63-270-B</del>	1	Brace—Wheel—Long
9	*65-516-24 ✓	4	Bolt—Hex Head—3/8-18 x 1 1/2	31	<del>63-283-RE</del>	1	Bracket—Wheel R.H.
10	<del>59-77-A</del>	6	Clamp—Tube	32	<del>63-299-A</del>	1	Molding—Rubber
11	*65-516-12 ✓	8	Bolt—Hex Head—3/8-18 x 3/4	33	<del>59-54-A</del>	4	Screw—Phillips Head Truss (Sems) <i>79-41-A</i>
12	<del>63-269-A</del>	1	Engine	34	<del>63-277-D</del>	1	Deflector <i>82-194-C</i>
13	*65-516-20 ✓	3	Bolt—Hex Head—3/8-18 x 1 1/4	35	<del>63-274-A</del>	1	Strap & Buckle Assembly <i>SA-794-B</i>
14	<del>64-43-A</del>	2	Key—Hi-Pro HP-505	36	<del>63-302-G</del>	2	Handle—Lower
15	<del>63-280-F</del>	1	Housing—Upper	37	<del>63-303-C</del>	2	Support—Handle
16	<del>64-25-A</del>	1	Spacer—Engine Shaft <i>73-414-A</i>	38	<del>967-816</del>	2	Nut—Hex Jam Lock 1/2-20 N.F.
17	<del>63-298-A</del>	1	Adapter—Fan Blade <i>81-193-A</i>	39	365-416	6	Nut—Hex Lock—1/4-20
18	<del>63-287-B</del>	1	Fan Assembly	40	<del>57-182-A</del>	2	Bracket—Handle
19	<del>63-305-A</del>	1	Plate—Retainer	41	*65-416-20	2	Bolt—Hex Head—1/4-20 x 1 1/4
20	*945-816	2	Nut—Hex—1/2-20 N.F.				
21	<del>63-276-A</del>	2	Bushing—Wheel				
22	<del>63-271-A</del>	2	Wheel				

11-11-11

11

11

11

11