



Electronic Service Manuals

This electronic document is provided as a service to our customers. We do not create the contents of the information contained in this document. Should you have detailed questions pertaining to the information contained in this document, you may contact Michco, or the manufacturer which provided the original information in this electronic deliverable. Michco's only part in this electronic deliverable was the electronic assembly process. By providing this manual on line we are not guaranteeing parts availability.

You may contact Michco through the following methods:

Phone (517) 484-9312 or (800) 331-3339

2011 N. High St. -- Lansing, Michigan -- 48906

Fax: (517) 484-9836

Email: CustServe@Michco.com

Web site: www.Michco.Com

Parts Web site: www.FloorMachineParts.Com

Order Parts on Line at:

www.FloorMachineParts.Com

Directly to Parts & Service:

By Email: **Shop@Michco.com**

By Fax: (517) 702-2041

By Voice: Use numbers above.

Serving the Cleaning Industry Since 1922

Notice: All copyrighted material remains property of original owners, all trademarks are property of respective owners. Manuals are subject to Manufacturer's reproduction limitations. Originals or reproductions were provided by manufacturers through a request. We make no warranty as to the correctness of information provided in this document and you assume all risk. By placing these manuals on line we are not declaring our corporation to be an manufacturer authorized dealer or provider, please check our web site for authorized manufacturers we represent.

Minuteman[®]
Parker[®]

Model:
PV0165B
PV0110B
PV8708H
PV8708K

Vac 35

OPERATION

SERVICE

PARTS

CARE

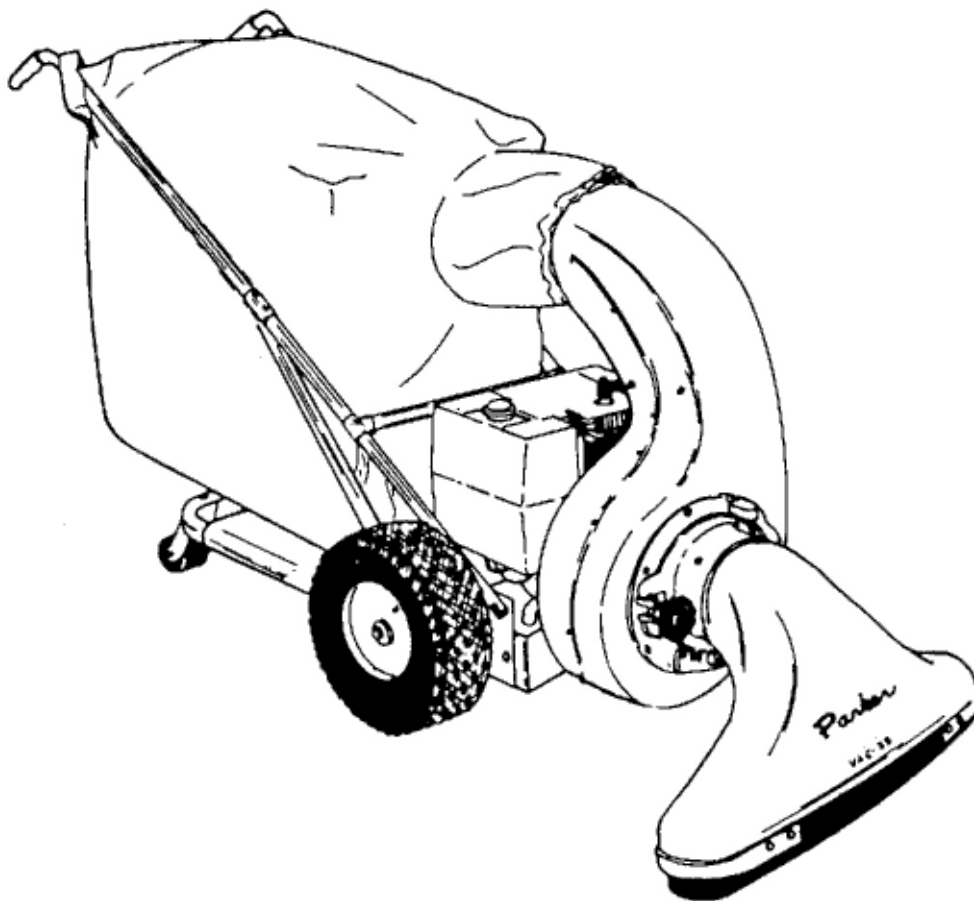


TABLE OF CONTENTS

1, 2	General Safety Instructions
3	Warning Decal Replacement
4, 5	Assembly Instructions
6	Operating Instructions
7	Safety Interlock System
8, 9	Handle Assembly
10 - 13	Engine Assemblies
14, 15	Housing Assembly

SOUND		VIBRATION
99 dB Operator	89 dB At 3m	.015 m/s At Operators Handles
Tests were conducted on 1/20/95 with calibrated sound and vibration equipment under the conditions noted below:		
General Condition: Cloudy Temperature: 5°C Barometric Pressure: 29.9" Hg	Wind: 8 km/hr Humidity: 68%	

Model # _____

Serial # _____

EC Declaration of Conformity

according to Directives 89/392 and 89/336

We, Parker Sweeper Company, a division of Minuteman International Incorporated of 111 South Rohlwing Road Addison Illinois 60101 USA, declare under our sole responsibility that the products PV0165BT, PV0165BF, PV8708KT, PV8708KF, PV8708HF, PV0110BT, PV0110BF, PV-9108-KSP, PV0110BSP, PV-9308HSP, PV-9308KSP, PV-9308KSPD, PV-9308-K-D and 99-1117-00 Vac-35 to which this declaration relates corresponds to the relevant requirements of the EC Directives 89/392 and 89/336. The following standards were used to determine compliance with the Directives: EN 292, EN 294, EN 811 and CISPR 12.

Jeffrey Pollack

Jeff Pollack, Standards Engineer

5/15/02

Date

IMPORTANT SAFETY INSTRUCTIONS

READ ALL INSTRUCTIONS BEFORE USING

WARNING

- To prevent personal injury or property damage, do not attempt to start engine until all assembly steps are complete and you have read and understand the safety and operating instructions in this manual.
- Under California law, and under laws of several other states, you are not permitted to operation internal combustion's engine using hydrocarbon fuels on any forest covered, brush covered, or grass covered land, or on land with grain, hay, or other flammable agricultural crop, without an engine spark arrester in continuous effective working order. The engine on your power equipment, like most outdoor power equipment, is an internal combustion engine that burns gasoline, a hydrocarbon fuel. Therefore, your power equipment must be quipped with a spark arrester muffler in continuous effective working order. The spark arrester must be attached to the engine exhaust system in such a manner that flames or heat from the system will not ignite flammable material. Failure of the owner/operator of the equipment to comply with this regulation is a misdemeanor under California law, and may also be a violation of other state and/or federal regulations, laws, ordinances, or codes. Contact your local fire marshal or forest service for specific information about what regulations apply in your area.
- Wear approved safety glasses when operating this equipment. The operation of any powered machine can result in foreign objects being thrown by high-speed rotating parts.
- Wear work gloves, sturdy footwear, and hearing protection when operating this equipment.
- Remove hearing protection and watch for traffic when operating near, or when crossing roadways.
- Before inspecting or servicing any part of equipment, shut off engine, disconnect spark plug wire from spark plug, and make sure that all moving parts have come to a complete stop. Be aware that rotating blades slow down gradually after engine is shut off.
- Exercise extreme caution on slopes and avoid excessively steep slopes.
- Never leave equipment unattended when engine is running. Shut off engine and disconnect spark plug wire from spark plug before leaving equipment. Turn off fuel shut-off if equipped.
- Do not vacuum any burning or smoldering materials such as cigars, cigarettes, ashes, or cinders.
- Do not vacuum areas that have been recently treated with fertilizers, pesticides, or herbicides. Follow chemical manufacturer's safety instructions regarding contact with treated areas.
- Thoroughly inspect the areas where the equipment is going to be used, and remove all objects that may be a hazard when thrown.
- Walk, never run.
- Never allow children or untrained adults to operate this equipment.
- Keep the area of operation clear of all persons, particularly small children, and pets. Keep bystanders at least 25 feet away from the area of operation.
- Do not operate this equipment on paved, gravel, or hard surface unless the collection bag is installed. Discharged material may bounce from a hard surface.
- Do not vacuum flammable liquids such as gasoline, kerosene, diesel fuel, paint thinner, etc.
- Avoid operating equipment on wet grass where feasible.
- Use extreme caution when pulling towards you or reversing the equipment.
- Before removing or installing collection bag, shut off engine, disconnect spark plug wire from spark plug, and allow all moving parts to come to a complete stop.

- Do not run engine in an enclosed area. Engine exhaust contains carbon monoxide gas, a deadly poison that is odorless, colorless, and tasteless.
- Do not operate this equipment near buildings, windows, or air conditioners.
- Do not allow hands or any other part of the body or clothing inside the vacuum inlet.
- Do not start engine or operate this equipment with any safety guards or housing removed.
- Operate machine in daylight or good artificial light.
- Do not change the engine governor settings or overspeed the engine.
- If equipment jams or becomes clogged, immediately shut off engine, disconnect spark plug wire from spark plug, and allow all moving parts to come to a complete stop. Use only a wooden stick to clear away debris.
- Empty collection bag after each use. Decomposing debris could generate enough heat to catch fire. Before emptying collection bag, shut off engine, disconnect spark plug wire from spark plug, and allow all moving parts to come to a complete stop.

DANGER

Gasoline is highly flammable and its vapors are explosive. To prevent personal injury or property damage:

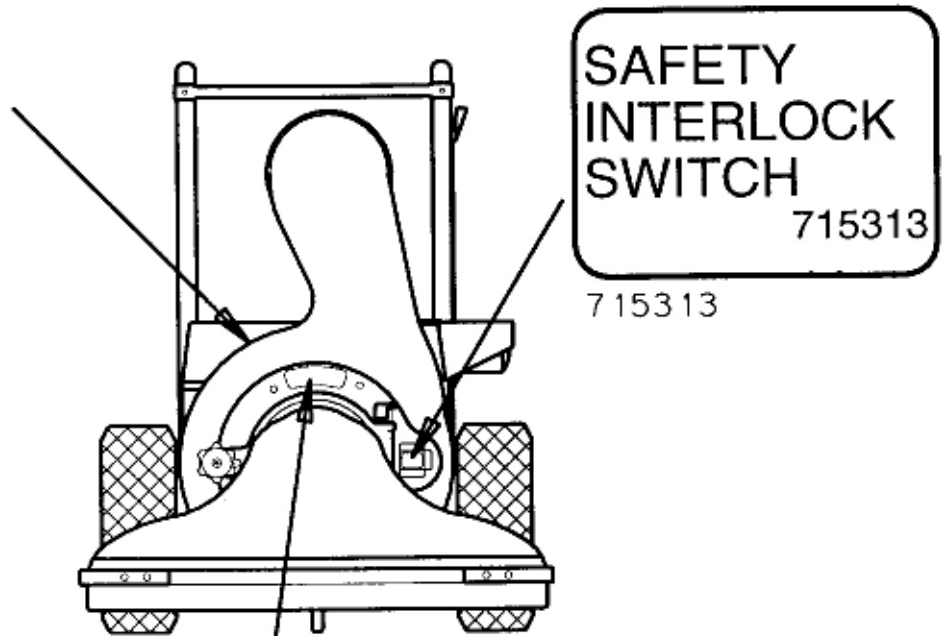
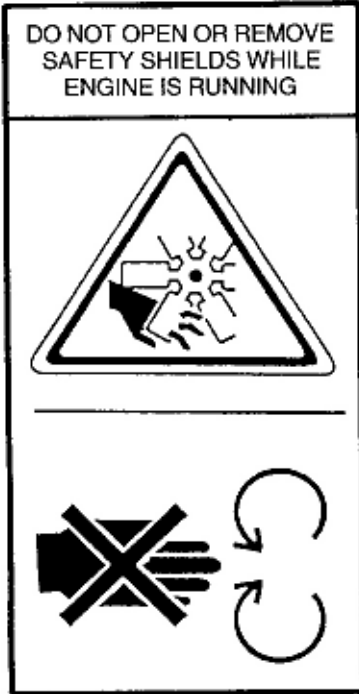
- Do not add fuel if engine is running or still hot from recent operation. Allow engine to cool for at least three minutes.
- Do not fill fuel tank indoors. After filling, wipe up any spills and move away from gasoline fumes before starting engine.
- Do not allow open flame, matches, or smoking in area.
- Fill fuel tank with fresh, clean unleaded regular automotive gasoline, (leaded regular and unleaded or leaded premium grades of gasoline are acceptable substitutes).
- Do not mix oil with gasoline.
- Clean the area around the fuel fill cap and remove the cap from the fuel tank. Insert a clean funnel into the fuel tank.
- Fill the tank to 1/2 inch below the bottom of the filter neck to provide space for any fuel expansion.
- Reinstall the fuel fill cap securely and wipe up any spilled gasoline.
- Store fuel in containers specifically designed for these purposes.

MAINTENANCE AND STORAGE

- Keep all nuts, bolts, and screws tight to be sure the equipment is in safe working condition.
- Never store the equipment with fuel in the tank inside a building where fumes may reach an open flame or spark.
- Allow the engine to cool before storing in any enclosure
- To reduce the fire hazard, keep the engine, silencer, battery compartment, and fuel storage area free of grass, leaves, or excessive grease.
- Check the catcher frequently for wear or deterioration.
- Replace worn or damaged parts for safety.
- If the fuel tank has to be drained, this should be done outdoors.

SAVE THESE INSTRUCTIONS

SAFETY DECALS



STOP FAN BEFORE
REMOVING HOUSING
FAN ← ROTATION

85-151-A

ASSEMBLY INSTRUCTIONS

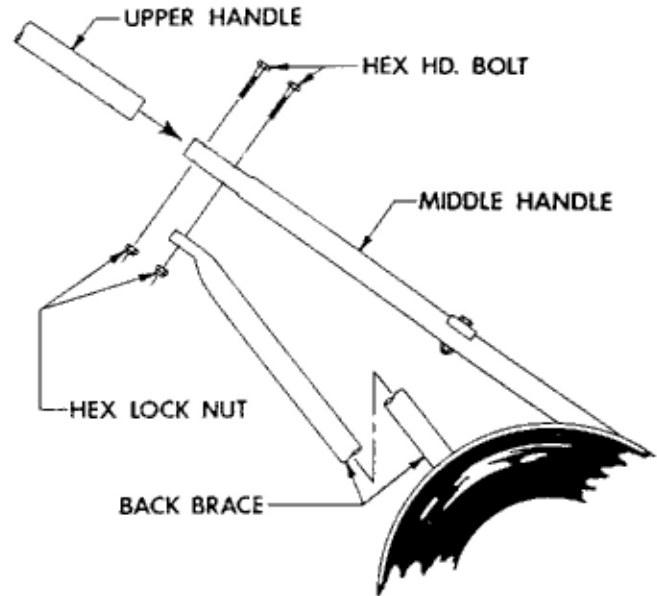
The VAC 35 covered in this owner's guide is shipped complete in one box. Follow all instructions on assembly very carefully.

1. Unpack all items from carton.
2. Tip box over so wheels are toward floor. Pull unit out of box and stand upright.
3. DO NOT discard the carton or any of the inserts until the unit is completely assembled.
4. All hardware is on the unit in its proper location. If something is missing, notify the dealer/distributor where unit was purchased. If unable to purchase parts locally, contact the Parker Sweeper Company.
5. Whenever the terms left or right hand, or "L" and "R" are used, it means from a position standing behind the unit facing forward. NOTE: Before continuing with instructions in this Owner's Manual, unpack items from small carton. Assemble those items as outlined in Instruction Sheet included in that package.

HANDLE ASSEMBLY

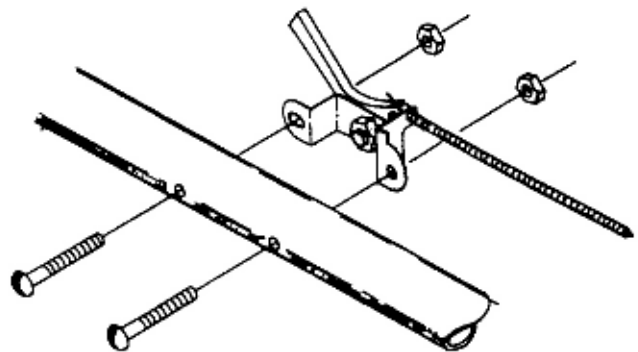
NOTE: See Figure 1 Handle Assembly on Page 7 of this owner's guide for reference to numbers used in the following instructions.

1. Remove hex head bolts (15) and hexagon lock nuts (21) from the bottoms of the upper handles (2) and (3).
2. Place upper handles (2) and (3) over the ends of the lower handles (4).
3. Align the lower holes in both upper and lower handles. Replace hexagon head bolts (15) (removed in Step 1) to each of the lower holes.
4. Lift handles until the back braces (5) can be assembled to bolts (15) assembled in Step 3. Assemble hexagon lock nuts (21). DO NOT TIGHTEN.
5. Align the upper holes in both upper and lower handles. Assemble the remaining two hexagon head bolts (15) and hexagon lock nuts (21). DO NOT TIGHTEN. NOTE: Check alignment of handle. The hexagon lock nuts have been left loose to allow movement between the holes and the bolts. Do not bend tubing to accomplish proper alignment.
6. Once handles are aligned, tighten all hexagon lock nuts (21). NOTE: Nuts should be tightened enough that at least two of the bolt threads extend through the nut. It may be necessary to collapse the tubing SLIGHTLY to accomplish this.



THROTTLE HOOKUP

1. Remove throttle control (13) from the right lower handle (4).
2. Straighten the throttle cable out and run it up the left hand handles (3) and (4).
3. Attach the throttle control (13) to the upper left hand handle (3) with the two oval head screws (14) and hexagon nuts (20) furnished.
4. Attach snap-on clamps (11) to handles to secure throttle cable.
5. Make sure no bends are less than 8" radius.



ASSEMBLY INSTRUCTIONS (Cont'd)

TO ASSEMBLE SPIN-PAK®

NOTE: See Item 2 Housing Assembly on Page 12 of this owner's guide for reference to numbers used in the following instructions.

1. Remove hex head bolts (38), flat washers (31), and lock nuts (29) from the three upper holes used to secure retaining ring (23) to housing assembly (16). DO NOT remove the bottom bolt or retaining ring from housing assembly.
2. Align the holes in Spin-Pak® (24) with three upper holes in retaining ring and housing assembly.
3. Replace hardware removed in Step 1 and tighten.

ATTACHING INTAKE HOUSING

1. Insert hinge bosses on collar of intake housing (522) behind the hinged extension on front cover assembly (15).
2. Swing intake housing (52) to lie flat against front cover assembly (15).
3. Secure by placing flat washer (32) and adjusting knob (19), on pivot bolt, over the collar of intake housing and tighten adjusting knob.

ATTACHING DUST BAG

1. Place large loop in upper bag straps over the upper handles.
2. Place neck of dust bag over Spin-Pak® until tie strap can be pulled tight around neck of housing, just over bead on retaining ring. Bead must be covered.
3. Place bag hooks onto loops in lower bag straps and hook to lower cross bar.

WARNING: Failure to attach bag hooks to lower cross bar can cause premature wear of bag and neck at the Spin-Pak®. The Spin-Pak® may also break prematurely due to excessive weight from the bag.

WARNING: The engine contains NO OIL. Read the Engine Instruction Manual carefully before operating the VAC 35. Be sure you know how to start and stop the engine before proceeding further. Do not start the engine until all assembly is finished.

WARNING: Make a thorough inspection to see that all fastenings are tight and all parts are properly installed. DO NOT start engine without intake housing and dust bag in place. If engine is started without intake housing attached, serious injury may result by drawing clothing or parts of the body into the fan. If engine is run without Spin-Pak® or dust bag, small stones or other objects may be picked up and propelled at operator or bystanders through the unprotected opening causing serious injury.

OPERATING INSTRUCTIONS

READ SAFETY OPERATING INSTRUCTIONS BEFORE OPERATING EQUIPMENT

1. Heavy concentration of sand and gravel should be avoided. These materials are extremely abrasive, and while the VAC 35 will handle moderate amounts of these materials, it is not designed for heavy applications. Treat your VAC 35 with reasonable care and it will repay you with long, trouble-free service.
2. The VAC 35 will handle most common kinds of debris found around industrial plants, commercial buildings, homes, and farms. Acid contaminated materials, magnesium, dust, and other DANGEROUS DEBRIS that is considered hazardous should not be handled with the VAC 35.
3. The efficiency of this unit depends on the breathing capacity of the dust bag. Under extremely dusty conditions the bag should be emptied and cleaned frequently. Always empty and clean bag before storing after use. Debris allowed to remain in the bag may cause spontaneous combustion, resulting in an explosion or fire. See instructions supplied with dust bag.
3. When clean, turn bag right side out and reattach to unit.
4. Bag can be washed if extremely dirty.

TO START UNIT

IMPORTANT: Read the Engine Manual CAREFULLY before operating the VAC 35. Before starting the engine read and understand the following:

1. Be sure the engine crankcase is filled with the proper type and amount of oil.
2. Spin-Pak® is in place.
3. Dust bag or discharge hose is in place.
4. Intake housing or hose kit is attached to the fan housing.

TO STOP ENGINE

To stop the engine, Briggs & Stratton equipment, move the Engine Throttle Control to the STOP position. For Honda equipment, reduce engine speed to slow, turn engine STOP control to off, on side of engine. Remove any hearing protection and listen for all moving parts to come to a complete stop.

LUBRICATION

Add a few drops of oil to the throttle control cable and wire to help keep it operating smoothly.

DUST BAG CARE

1. To clean dust bag, turn the bag inside out and reattach to unit.
2. Start engine and run at full throttle. Lightly tap bag to release dirt trapped in the weave.

Clearing the Machine of Clogs and Jams

A clog or jam in the machine can cause the vacuuming operation to decrease or even stop completely. If this occurs, take the following steps:

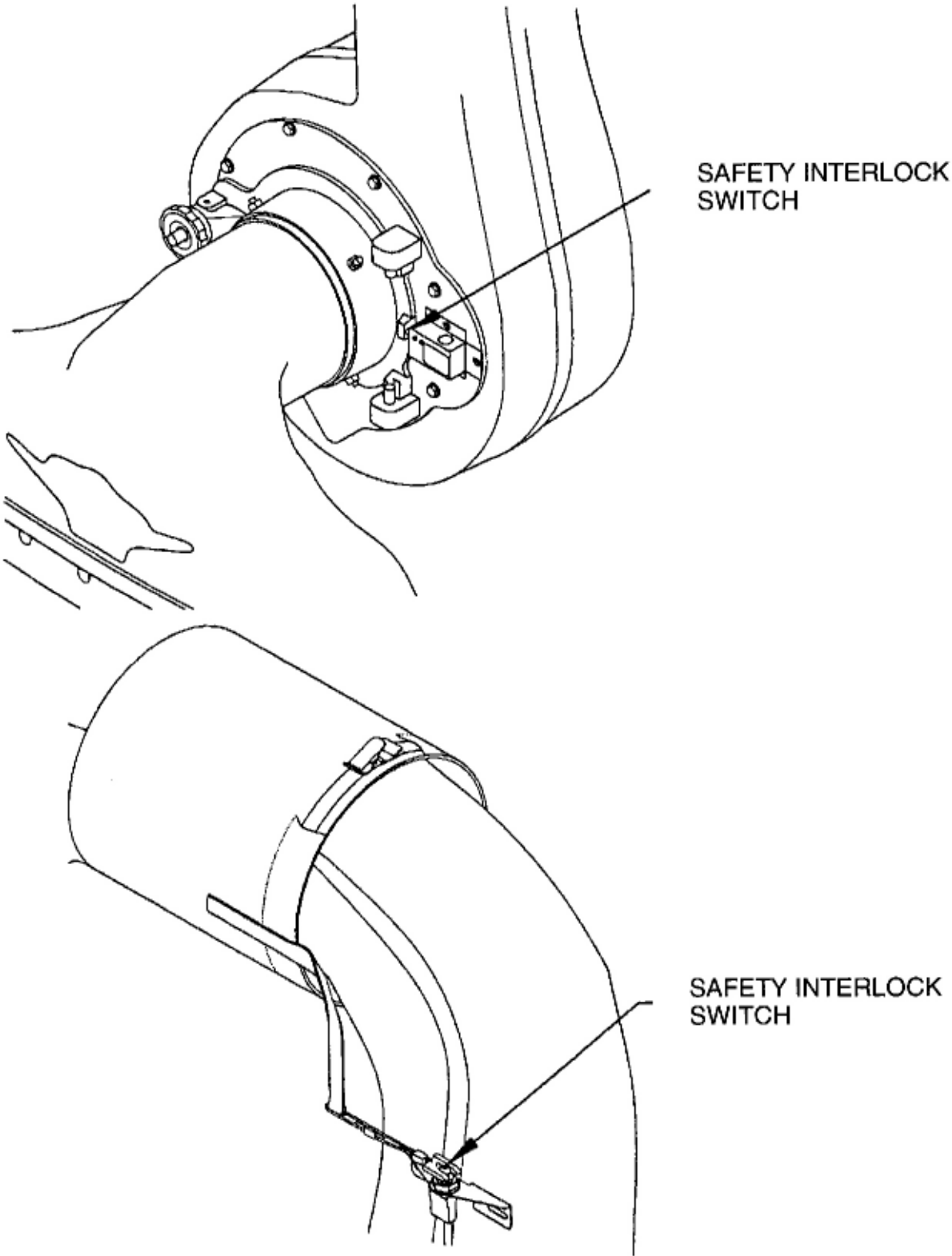
STOP THE ENGINE IMMEDIATELY and disconnect the spark plug wire from the spark plug. Wait for all moving parts to come to a complete stop.

Check (and clean, if necessary) the following areas in this order:

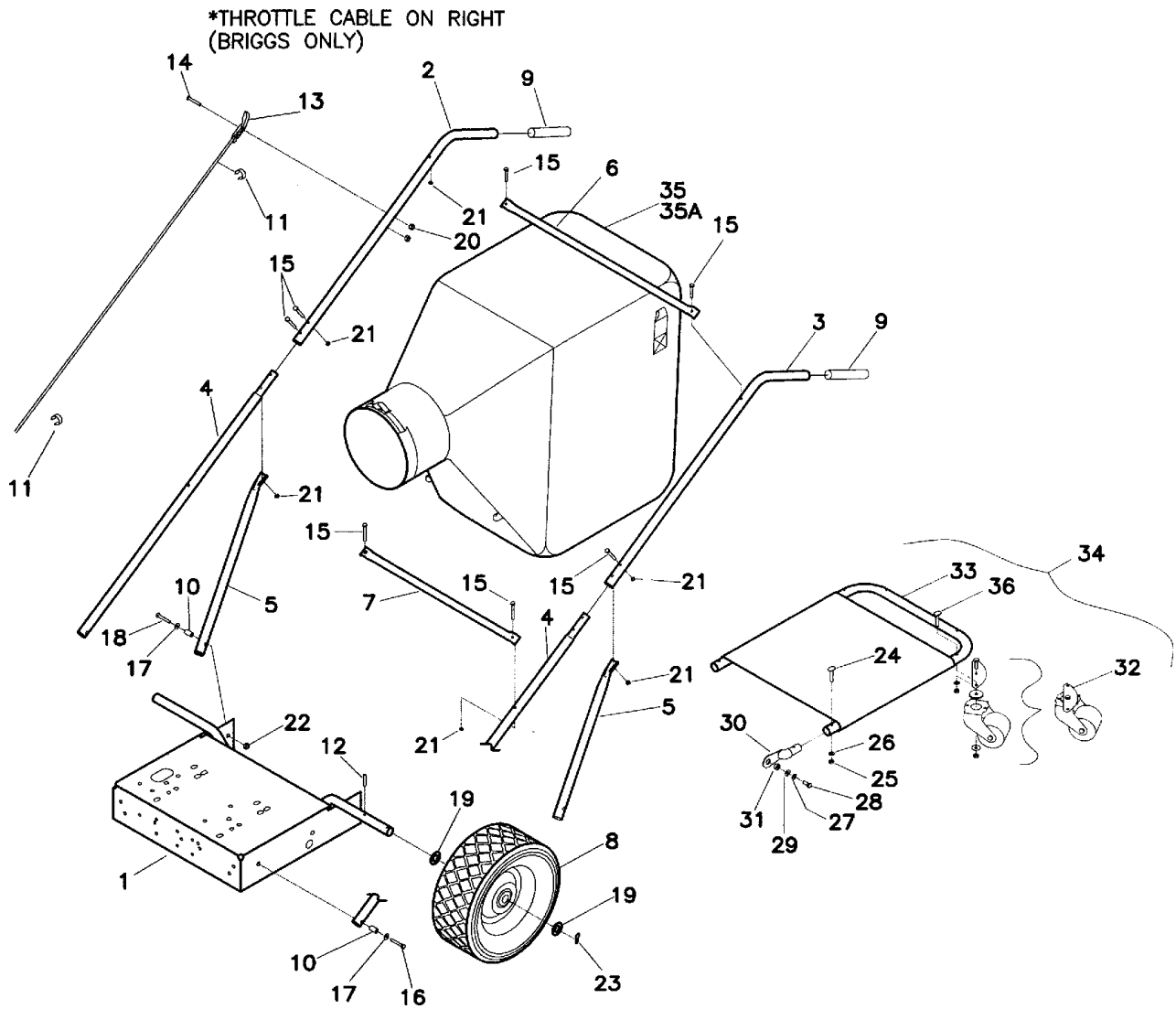
- Check that the collection bag is not overfilled. Remove and empty bag.
- While the bag is removed, check that the discharge deflector is not clogged or jammed. Use a stick to clear away any debris.
- Check that the vacuuming attachment is not clogged or jammed. Remove the attachment and thoroughly clean the opening. While the attachment is removed, check the inlet opening to the machine. Use a stick to clear away any debris.

SAFETY INTERLOC SYSTEM

This equipment incorporates two safety interloc systems. Figure 1 below is for the front vacuum Housing Assembly. Figure 2 is for the Cloth Bag Assembly. Both interlocks must be engaged for engine to start.



HANDLE ASSEMBLY

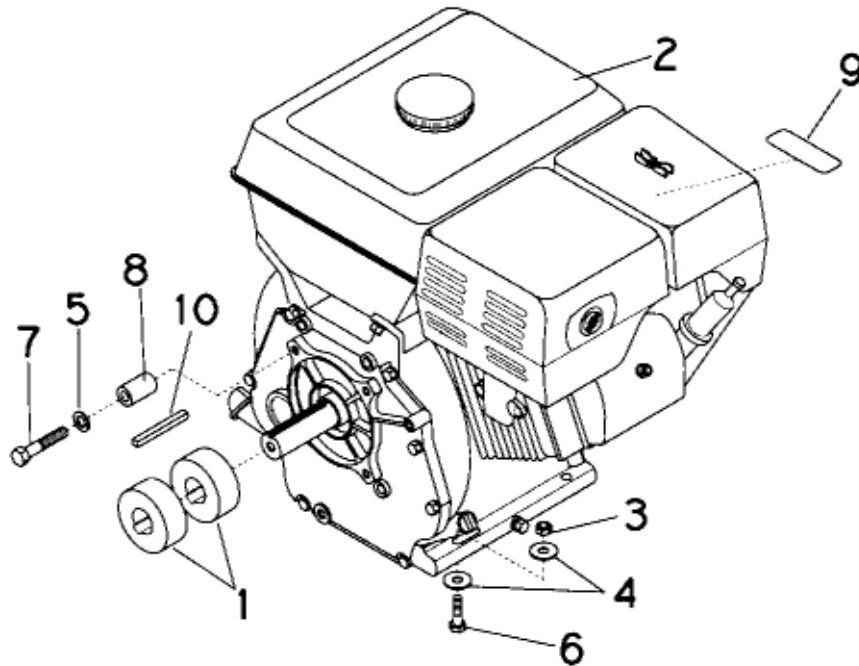


HANDLE ASSEMBLY

Parts List

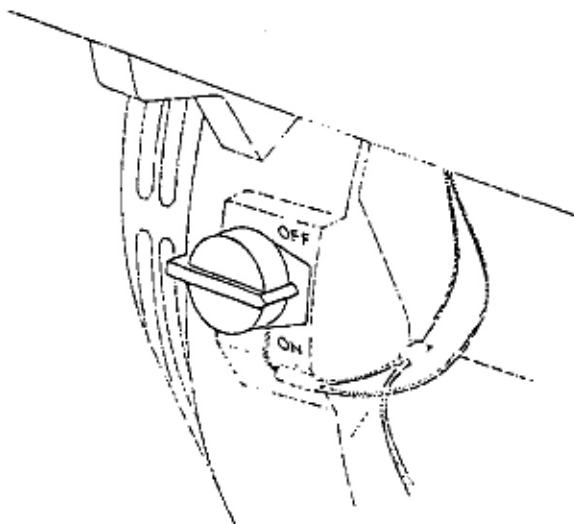
Item	Part No.	Qty.	Description
1	88-60-C	1	Chassis Weldment
2	80-321-C	1	Upper Handle
3	83-18-C	1	Upper Handle
4	88-47-B	2	Lower Handle
5	88-48-C	2	Handle Back Brace
6	81-04-B	1	Cross Brace, Upper
7	81-58-B	1	Cross Brace, Lower
8	SA-231-B	2	Wheel Assembly
9	80-232-A	2	Handle Grip
10	80-238-C	4	Insert
11	80-276-A	4	Clamp, Snap-On
12	711644	2	Roll Pin, .199/.194 Dia. x 1 1/2 Lg.
13	83-25-B-41	1	Throttle Control Assembly
14	712521	2	Screw, RHMS 10-24 x 1 1/4
15	713005	8	Bolt, HH 1/4-20 x 1 1/2
16	713029	2	Bolt, HH 5/16-18 x 1.5
17	711506	4	Washer, Fl. Plain 5/16
18	713031	2	Bolt, HH 5/16-18 x 2
19	945-1216	4	Washer, Plain 3/4
20	712638	2	Nut, Hex Lock 10-24
21	711373	8	Nut, Hex Lock 1/4-20
22	711374	2	Nut, Hex Lock 5/16-18
23	380-432-20	2	Cotter Pin
24	69-416-24	2	Bolt, Contour Hd. 1/4-20
25	711316	6	Nut, Hex 1/4-20
26	711544	6	Washer, Helical 1/4
27	711545	2	Washer, Helical 5/16
28	713027	2	Bolt, Hex 5/16-18 x 1.0
29	76-36-A	2	Washer, Special
30	92-22	2	End Cap, Tubing
31	81-120-A	2	Spacer
32	SA-1021-B	1	Caster & Plate Assy.
33	SA-1023-C	1	Frame & Bag Platform
34	MA-471-D	1	Bag Platform Complete
35	350800	1	Vacuum Dust Bag, Standard
35A	350850	1	Vacuum Dust Bag, Optional
36	69-416-28	4	Bolt, Contour Hd. 1/4-20 x 1 3/4

HONDA

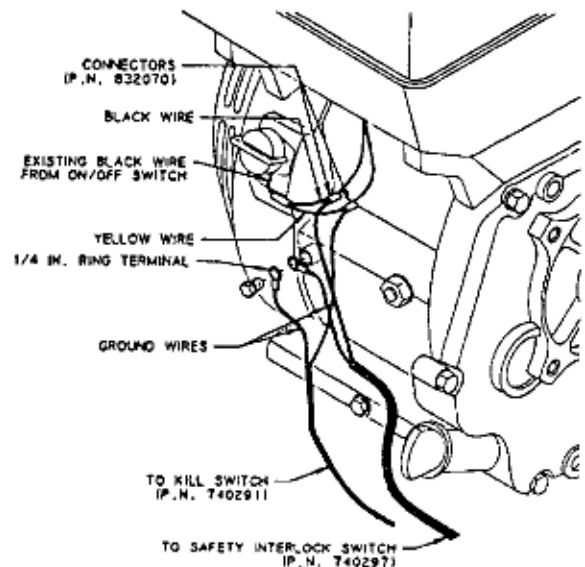


Item	Part No.	Qty.	Description
1	88-153-A	1	Spacer
2	350500	1	8 HP Honda Engine
3	711380	4	3/8-16 Nyloc Nut
4	711508	8	.44 x 1.00 Flatwasher
5	711546	4	3/8 Helical Washer
6	713045	4	3/8-16 x 1.75 Hex Bolt (Grd. 5)
7	713047	4	3/8-16 x 2.25 Hex bolt (Grd. 5)
8	350150	4	.406 x .75 x 1.38 Spacer
9	715314	1	Muffler Decal
10	74-112-A	1	1/4 x 1/4 x 2 1/2 Key

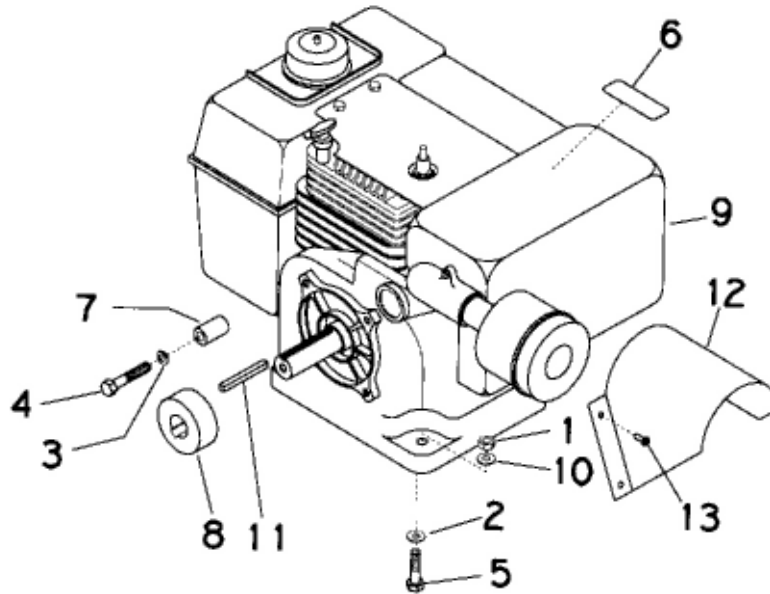
SAFETY INTERLOC WIRING DIAGRAM



ENGINE ON/OFF SWITCH

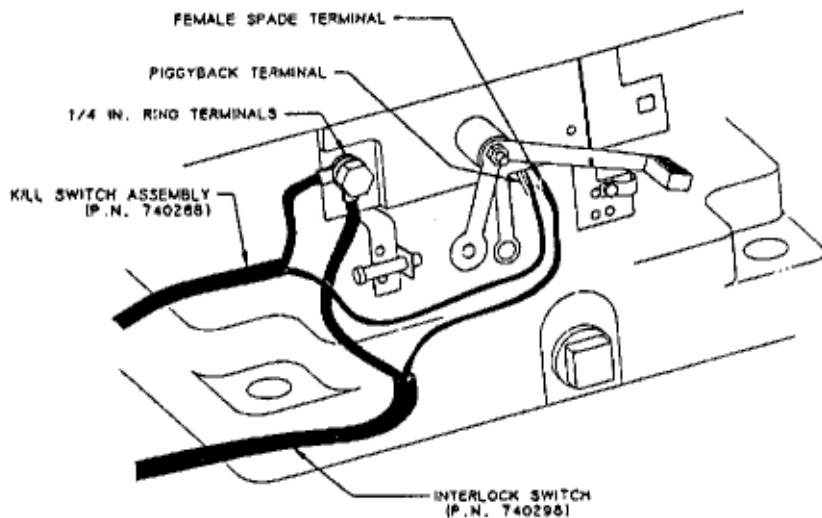


KOHLER



Item	Part No.	Qty.	Description
1	711380	4	3/8-16 Nyloc Nut
2	711508	4	.44 x 1.00 x .06 Flatwasher
3	711546	4	1/4 Helical Washer
4	713044	4	3/8-16 Hex Bolt (Grd. 5)
5	713044	4	3/8-16 Hex Bolt (Grd. 5)
6	715314	1	Muffler Decal
7	79-139-A	4	Spacer
8	72-130-A	1	Spacer
9	86-88-D	1	8 HP Kohler Engine
10	711515	4	WSR-Flat .44 x .87 x .07
11	74-112-A	1	1/4 x 1/4 x 2 1/2 Key
12	93-04	1	Muffler Cover
13	711124	2	#10 Self-Tapping Screws

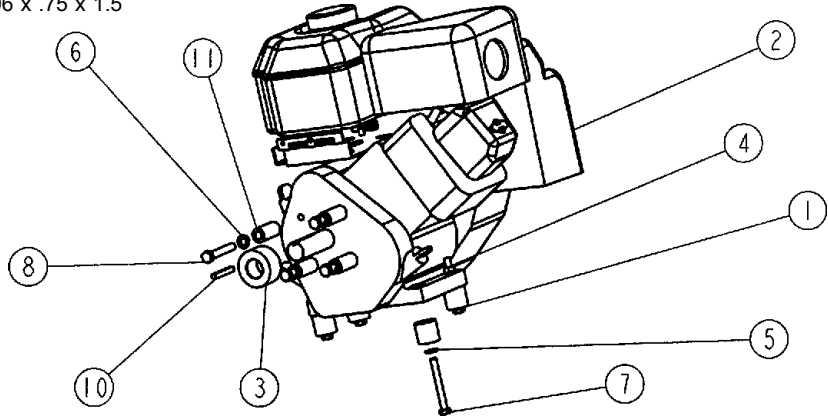
SAFETY INTERLOC WIRING DIAGRAM KOHLER



BRIGGS & STRATTON 10 HP

Parts List

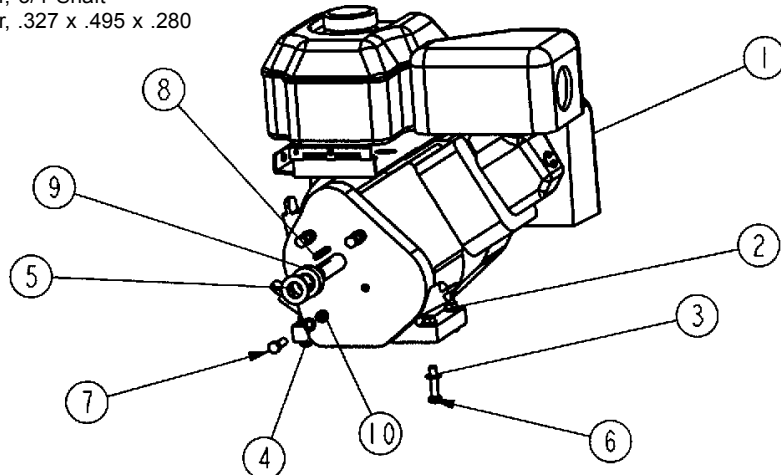
Item	Part No.	Qty.	Description
1	232319	4	Spacer, .359 x 1.125 x 1.078
2	350602	1	Engine, 10 HP Intek B/S
3	360111	1	Spacer, 1 x 2 x 1
4	711374	4	Nut-Nloc 5/16-18
5	711506	8	WSR-5/6 STPL
6	711546	4	WSR-Helical 3/8
7	713034	4	BLT-HH 5/16-18 x 2.75 #5
8	713047	4	BLT-HH 3/8-16 x 2 1/4 #5
9	715314	1	Decal, Burn Warning (not shown)
10	63-130-A	1	Key, 1/4 x 1 3/4
11	82-151-A	4	Spacer, .406 x .75 x 1.5



BRIGGS & STRATTON 6.5 HP

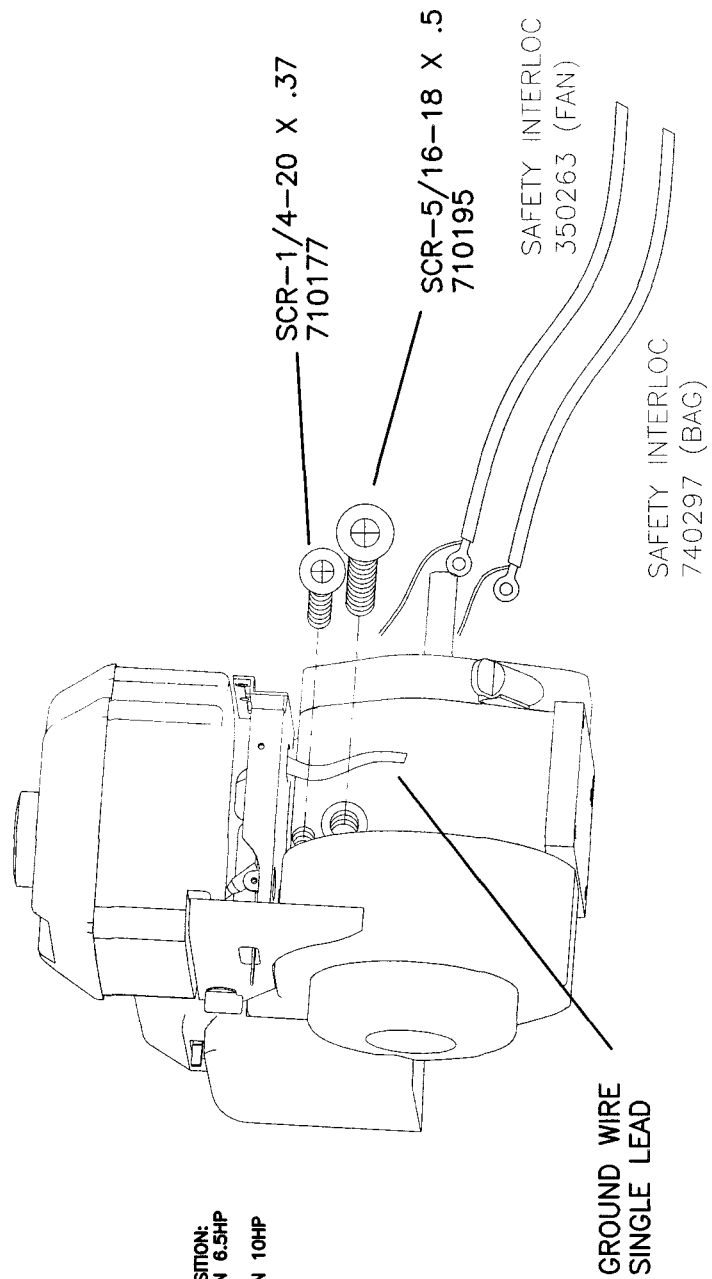
Parts List

Item	Part No.	Qty.	Description
1	360024	1	Engine, 6.5 HP B/S Intek
2	711374	4	Nut-Nloc 5/16-18
3	711506	8	WSR-5/16 STPL
4	711545	4	WSR-Helical 5/16
5	712765	1	WSR-Flat .75 x 1.375 x .09SS
6	713029	4	BLT-HH 5/16-18 x 1 1/2 #5
7	60-516-16	4	BLT-HH 5/16-24 x 1.00 #5
8	61-65-A	1	Key, 3/16 x 1 3/4
9	73-20-A	1	Spacer, 3/4 Shaft
10	81-42-A	4	Spacer, .327 x .495 x .280

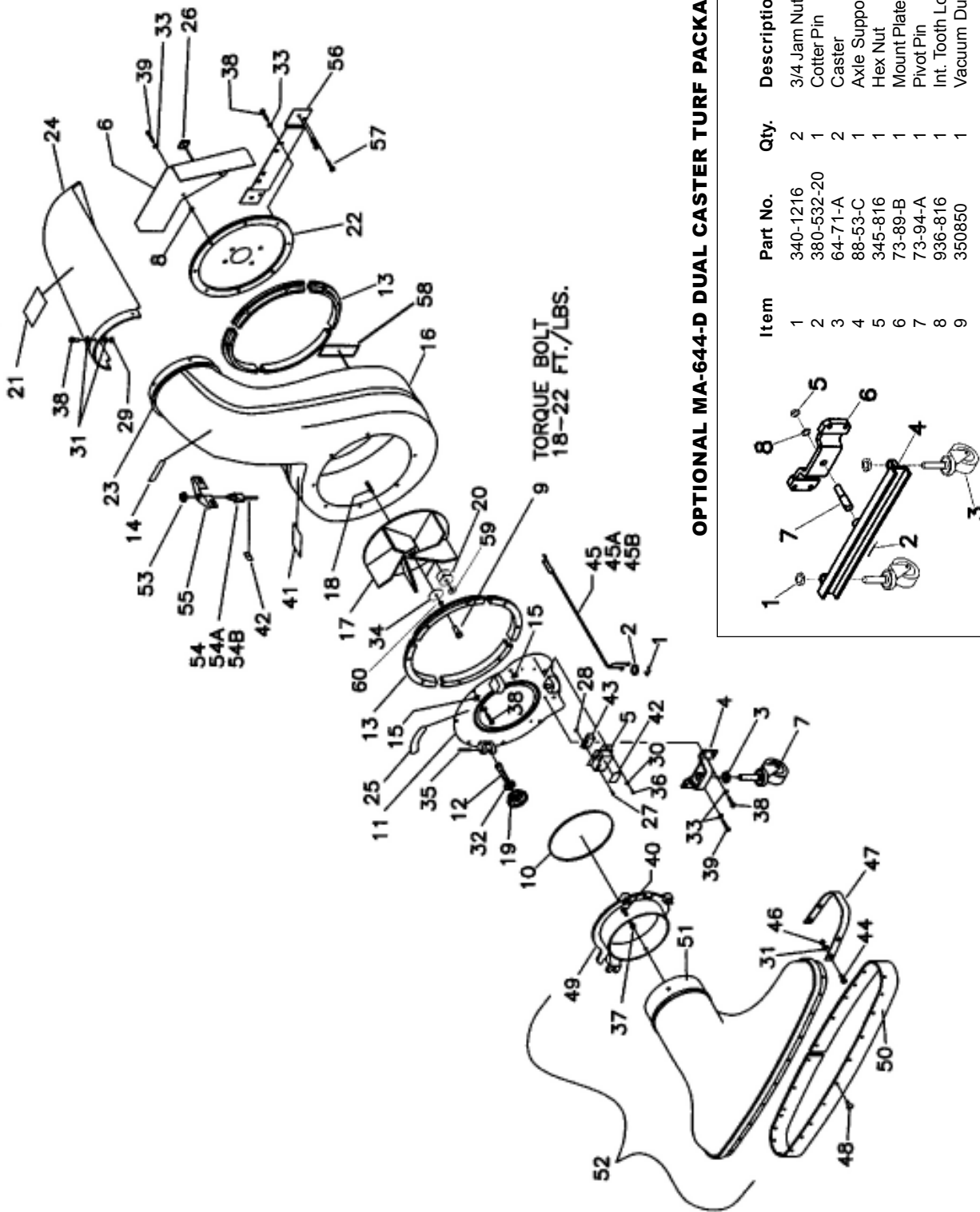


BRIGGS & STRATTON 6.5 HP/10 HP

SAFETY INTERLOC WIRING DIAGRAM BRIGGS 6.5 & 10HP

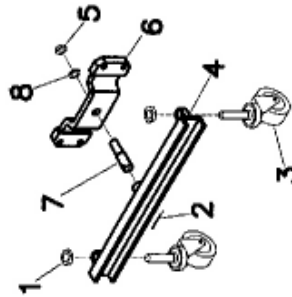


HOLES SHOWN IN APPX. POSITION:
*710177 USED ON 6.5HP
*710195 USED ON 10HP



OPTIONAL MA-644-D DUAL CASTER TURF PACKAGE

Item	Part No.	Qty.	Description
1	340-1216	2	3/4 Jam Nut
2	380-532-20	1	Cotter Pin
3	64-71-A	2	Caster
4	88-53-C	1	Axle Support Weldment
5	345-816	1	Hex Nut
6	73-89-B	1	Mount Plate
7	73-94-A	1	Pivot Pin
8	936-816	1	Int. Tooth Lock WSR
9	350850	1	Vacuum Dust Bag



PARTS LIST

Item	Part No.	Qty.	Description	Item	Part No.	Qty.	Description
1	250136	1	Strain Relief	34	82-138-B-1	1	Special Washer 6.5 HP Only
2	101008	1	Rubber Grommet	35	711661	1	Spring Pin
3	340-1216	1	Hex Jam Nut	36	712810	3	10-24 x .62 MCH Screw
4	66-430-C	1	Caster Bracket	37	713001	4	1/4-20 x .63 Hex Bolt
5	350130	1	Switch Bracket	38	713003	14	1/4-20 x 1.00 Hex Bolt
6	350275	1	Heat Shield	39	713004	2	1/4-20 x 1.25 Hex Bolt
7	64-71-A	1	Stem Type Caster	40	369-416	4	1/4-20 Serrated Hex Lock Nut
8	54-227-A	2	Spacer	41	715300	1	Warning Decal
9	60-716-24	1	BLT-HH 7/16-20 x 1.25 #5	42	715313	2	Safety Interlock Decal
9A	60-516-20	1	Bolt HH 5/16-24 x 1 #5	43	740282	1	Gray Safety Switch
10	63-190-A	1	O-Ring Gasket	44	713002	12	1/4-20 x .75 Hex Bolt
11	63-191-D	1	Front Plate	45	740818	1	Wire Lead (Briggs)
12	63-192-A	1	Pivot Bolt	45A	740288	1	Wire Lead (Kohler)
13	64-78-C	8	Anti-Wrap Segment	45B	740291	1	Wire Lead (Honda)
14	67-08-A	1	Spin Pak Decal	46	711377	8	1/4-20 Lock Nut
15	78-120-A	2	Cable Clip	47	62-98-C	2	Guard
16	70-103-F	1	Housing Assembly	48	80-332-A	15	Xmas Tree Fastener
17	72-175-D	1	Fan Wheel, 10 HP	49	350152	1	Collar
17A	61-14-E	1	Fan Wheel, 6.5 HP	50	73-76-C	1	Skirt (24" intake)
18	74-112-A	1	1/4 x 2.50 Fan Key	50A	73-67-D	1	Skirt (30" intake)
19	80-29-A	1	Adjusting Knob	50B	73-74-D	1	Skirt (36" intake)
20	82-138-B-3	2	7/16 Flat Washer 10 HP	51	65-567-F	1	24" Intake Housing
21	715318	1	Caution Decal	51A	77-18-F	1	30" Intake Housing
22	84-346-C	1	Back Plate and Gasket	51B	77-18-F	1	36" Intake Housing
23	85-59-C	1	Retaining Ring	52	SA-911-D	1	30" Intake
24	85-61-D	1	Spin-Pak® Deflector	53	350135	1	Switch Nut
25	85-151-A	1	Warning Decal	54	740283	1	Safety Switch (Briggs)
26	350319	1	Anti Vibration Sponge 6.5 HP Only	54A	740297	1	Safety Switch (Honda)
27	710130	2	8-32 x .62 MCH Screw	54B	740298	1	Safety Switch (Kohler)
28	711372	2	8-32 Nyloc Nut	55	350129	1	Safety Switch Bracket
29	711373	4	1/4-20 Nyloc Nut	56	350128	1	Housing Support
30	711503	3	#10 Washer	57	72-416-10	4	1/4-20 x .50 Threaded Cutting Bolt
31	711505	20	1/4 Flat Washer	58	715314	1	Decal, Burn Warning (6.5 HP B/S)
32	711509	1	1/2 Flat Washer	59	350242	1	Belleville WSR-7/16 10 HP Only
33	711544	18	1/4 Lock Washer	60	711545	1	WSR-Helical 5/16 6.5 HP Only

LIMITED WARRANTY

The Parker Sweeper Company warrants to the original purchaser/user that this product is free from defects in workmanship and materials under normal use and service for a period of two years from date of purchase. In addition, Parker Sweeper Company will, at its option, honor labor warranty claims for the first 12 months from date of sale, provided such claims are submitted through and approved by factory authorized repair stations. Parker Sweeper Company will, at its option, repair or replace without charge, except for transportation costs, parts that fail under normal use and service when operated and maintained in accordance with the applicable operation and instruction manuals.

This warranty does not apply to normal wear, or to items whose life is dependent on their use and care, such as belts, cords, switches, hoses, rubber parts, electrical motor components or adjustments. Parts not manufactured by Parker Sweeper Company such as engines, batteries, battery chargers, hydraulic pumps, and tires are covered by and subject to the warranties and/or guarantees of their manufacturers. Please contact Parker Sweeper Company for procedures in warranty claims against these manufacturers.

Special warning to purchaser — Use of replacement filters and/or prefilters not manufactured by Parker Sweeper Company or its designated licensees, will void all warranties expressed or implied.

A potential health hazard exists without exact original equipment replacement.

All warranted items become the sole property of Parker Sweeper Company or its original manufacturer, whichever the case may be.

Parker Sweeper Company disclaims any implied warranty, including the warranty of merchantability and the warranty of fitness for a particular purpose. Parker Sweeper Company assumes no responsibility for any special, incidental or consequential damages.

This limited warranty is applicable only in the U.S.A. and Canada, and is extended only to the original user/purchaser of this product. Customers outside the U.S.A. and Canada should contact their local distributor for export warranty policies. Parker Sweeper Company is not responsible for costs or repairs performed by persons other than those specifically authorized by Parker Sweeper Company. This warranty does not apply to damage from transportation, alterations by unauthorized persons, misuse or abuse of the equipment, use of non-compatible chemicals, or damage to property, or loss of income due to malfunctions of the product.

If a difficulty develops with this machine, you should contact the dealer from whom it was purchased.

This warranty gives you specific legal rights, and you may have other rights which vary from state to state. Some states do not allow the exclusion or limitation of special, incidental or consequential damages, or limitations on how long an implied warranty lasts, so the above exclusions and limitations may not apply to you.



A Minuteman International Company

World Headquarters
Minuteman International, Inc.
111 South Rohlwing Road
Addison, Illinois 60101

Minuteman Canada, Inc.
2210 Drew Road
Mississauga, Ontario
L5S 1B1

(630) 627-6900
FAX (630) 627-1130

(905) 673-3222
FAX (905) 673-5161

988226
Printed in U.S.A.