



Electronic Service Manuals

This electronic document is provided as a service to our customers. We do not create the contents of the information contained in this document. Should you have detailed questions pertaining to the information contained in this document, you may contact Michco, or the manufacturer which provided the original information in this electronic deliverable. Michco's only part in this electronic deliverable was the electronic assembly process. By providing this manual on line we are not guaranteeing parts availability.

You may contact Michco through the following methods:

Phone (517) 484-9312 or (800) 331-3339

2011 N. High St. -- Lansing, Michigan -- 48906

Fax: (517) 484-9836

Email: CustServe@Michco.com

Web site: www.Michco.Com

Parts Web site: www.FloorMachineParts.Com

Order Parts on Line at:

www.FloorMachineParts.Com

Directly to Parts & Service:

By Email: **Shop@Michco.com**

By Fax: (517) 702-2041

By Voice: Use numbers above.

Serving the Cleaning Industry Since 1922

Notice: All copyrighted material remains property of original owners, all trademarks are property of respective owners. Manuals are subject to Manufacturer's reproduction limitations. Originals or reproductions were provided by manufacturers through a request. We make no warranty as to the correctness of information provided in this document and you assume all risk. By placing these manuals on line we are not declaring our corporation to be an manufacturer authorized dealer or provider, please check our web site for authorized manufacturers we represent.

OWNER'S GUIDE

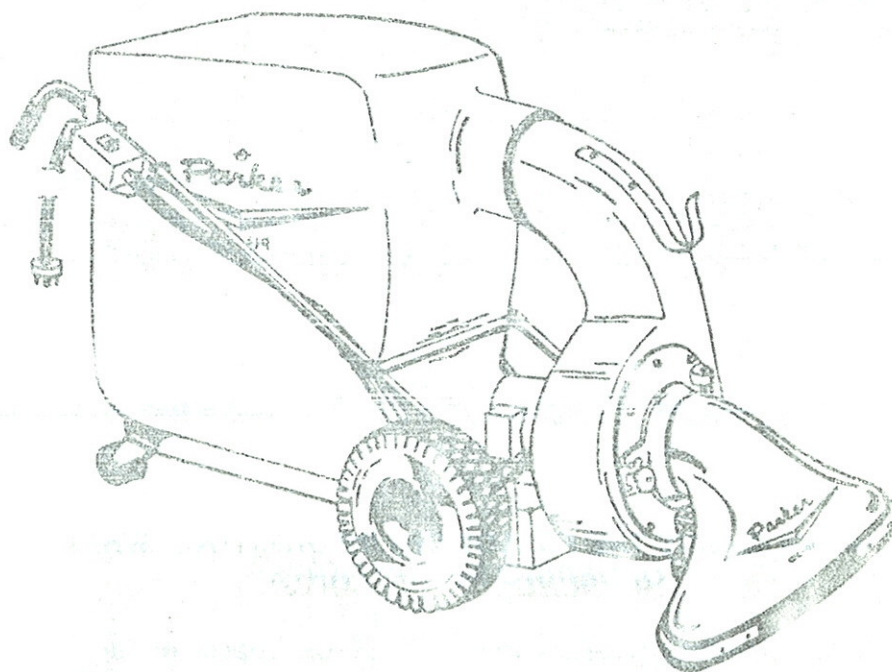


Parker



VACUUM SWEEPER VAC-35 ELECTRIC POWERED

MODEL NO. PV-8803-E



AF-353

**READ THESE INSTRUCTIONS
BEFORE SETTING UP AND OPERATING MACHINE**

NOTE: Electric units are not recommended for outdoor use or in wet or damp areas.

PARKER SWEEPER COMPANY

Box 1728

Springfield, Ohio 45501-1728

Plate No. 759 (Rev. 6-9-83)

GENERAL INFORMATION

1. The Vacs covered by this owners guide are shipped complete in one box. Follow all instructions on assembly very carefully. Whenever a difference in instructions occurs either a separate instruction or an "Explanation Note" will be given.

2. Unpack Nose Cone, Spin-Pak, Upper Handle Assembly, Bag Platform and Filter Bag. All hardware is on the unit in its proper location. If something is missing, notify the factory or your local distributor to obtain parts needed. DO NOT discard any of the cartons or inner packing until machine is completely assembled.

3. Tip box over so blower housing is on top of engine. Pull unit out of box and stand it up. Move box out of the way. Whenever the terms Left and Right or L. and R. are used herein, it should be understood to mean from a position standing behind the unit facing in a forward direction.

4. SPIN-PAK Assemble the Spin-Pak to the Blower Housing by removing the four bolts and slipping the ring over the housing neck. Line up the holes and insert four 1/4" 20x1. bolts. Assemble washers and nuts to bolts.

"DO NOT TIGHTEN." "CENTER UP" Spin-Pak and tighten top bolt. Press ring around the Housing on the sides and tighten the side bolts, finally tighten the bottom bolt.

5. The Intake Housing should be attached to the front of the Blower Housing by inserting the hinge boss behind the hinge rod on the front Cover, item 27, next swing the Intake Housing, item 38, until the slot fits over the adjusting screw and can be locked in place by tightening knob, item 23.

6. Adjust the height of the intake housing in relation to the floor by loosening the jam nut on the caster and threading the caster in or out of the bracket. When the desired height is determined, lock the caster in place by tightening the jam nut against the bracket. Normal floor clearance for intake housing is 3/4" to 1 1/4".

NOTE: Electric units are not recommended for outdoor use or in wet or very damp areas.

YOUR SAFETY IS OUR CONCERN. READ ALL SAFETY RULES AND OPERATING INSTRUCTIONS BEFORE ATTEMPTING TO START OR OPERATE THIS EQUIPMENT. FAILURE TO FOLLOW SAFETY RULES AND OPERATING INSTRUCTIONS MAY RESULT IN SERIOUS INJURY.

IMPORTANT

ALWAYS GIVE THE FOLLOWING INFORMATION WHEN ORDERING REPAIR PARTS:

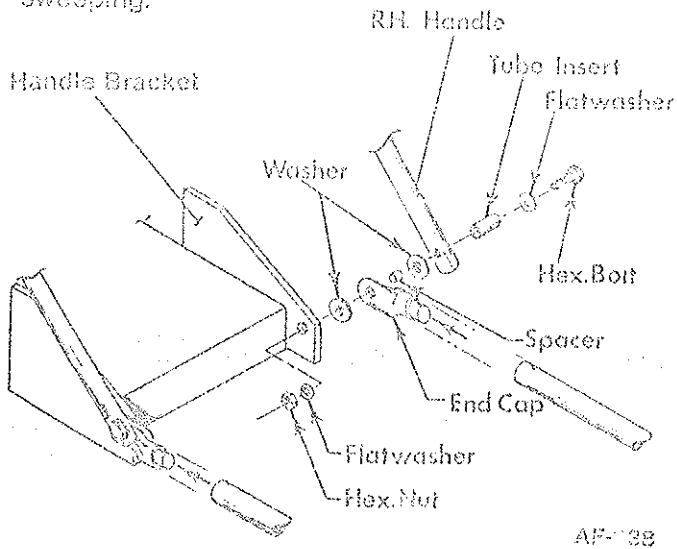
- | | |
|-------------------------------|------------------------|
| 1. Part Number (Not Ref. No.) | 3. Description of Part |
| 2. Quantity Needed | 4. Model No. of VAC-35 |

If unable to obtain parts locally, write down above information and send to:
PARNER WHEELER CO., BOX 1728, DANVERFIELD, CT 01921.

Your unit is right hand (R.H.) or left (L.H.) as you stand behind it.

Bag Platform Attachment

To attach bag platform, insert end cap into open end of bag platform as shown. Secure bag platform to end cap with contour bolt, hex. nut and lock-washer. Bag platform should stay in place while sweeping.



5. Tighten all bolts and nuts. Bring nuts up to a "snug" position all the way around, check handle assembly for alignment and, if OK, give each a final tightening. If alignment is needed, be sure nuts are just loose enough in all the joints to permit movement between the holes and the bolts. This should be enough to result in correct alignment. Do not bend tubing to accomplish proper position.

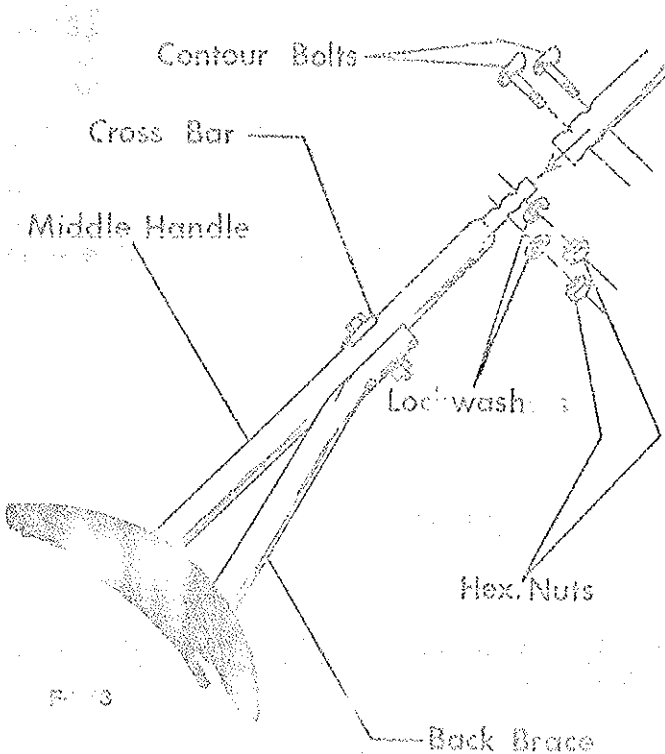
Be sure that the bolts are pulled down tight enough for one or more bolt threads to extend through the nut. It may be necessary to collapse the tube SLIGHTLY to accomplish this.

DANGER: Make a thorough inspection to see that all fastenings are tight and all parts are properly installed. DO NOT start motor without intake and Dust Bag in place. See instructions for installing Dust Bag and Intake.

If motor is started without intake attached, serious injury may result by drawing clothing or parts of the body into the fan. If motor is run without dust bag, small stones or other objects may be picked up and propelled at operator or bystanders through the unprotected opening causing serious injury.

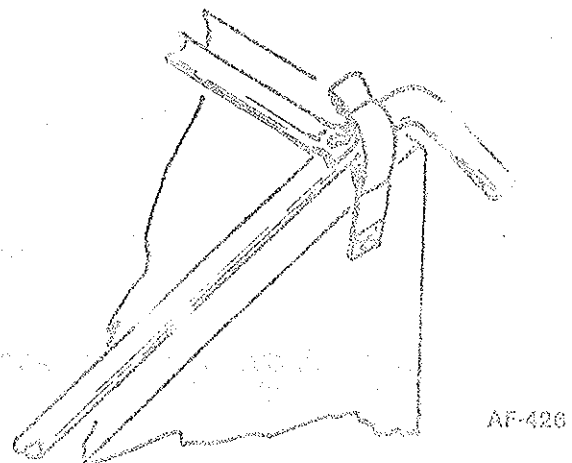
Handle Assembly

1. Remove the four contour head bolts, lockwashers and hex. nuts from the ends of the upper handles.
2. Add Upper Handle Assembly to lower handles and align the four holes.
3. Insert the bolts through the holes.
4. Secure with lockwasher and hex. nuts.



Attaching Dust Bag

1. Attach the dust bag to the sweeper by placing the loops over the handles.
2. Bag hooks are not necessary on new manual Vac's with Bag Platform. The Bag Platform will help support the bag. If your unit is used for any reason without the Bag Platform, then bag hooks should be used on the lower straps and lower crossbar.
3. To prevent loss of the bag hooks, be sure that the end of the hooks are closed after attaching to the bag straps. This can be done by a light blow with a hammer or by squeezing with pliers.



BE SAFE. PROTECT YOUR FAMILY, YOUR FRIENDS, YOURSELF.
OBSERVE ALL SAFETY INSTRUCTIONS.

OPTIONAL ACCESSORIES

NOTE: Accessory No. and Price List can be obtained from your local distributor.

24" INTAKE HOUSING: For sweeping in narrow aisles or in areas where heavier objects are to be collected.

36" INTAKE HOUSING: Ideal for sweeping lighter weight debris and in larger, open areas.

DISCHARGE HOSE KIT: Attaches to exhaust port for leading debris into truck, container, etc.

HOSE ATTACHMENT 6" DIA.: 12 ft. length overall, fits all Vac-35 models. Attaches to impeller housing for cleaning debris from hard-to-reach areas.

HOSE ATTACHMENT 4" DIA.: 15 ft. length overall, fits all Vac-35 models. Attaches to impeller housing for cleaning debris from hard-to-reach areas.

STRAPER BRUSH KIT: Installs inside rear of intake housing. Loosens debris which adheres to surface (Available for 30" intake housing only.)

MAGNETIC ROD KIT: Assembles to front of intake housing. Attracts metal objects. (Available for 30" intake housings only.)

FILTER COLLECTOR BAG: 11 cu. ft. launderable bag, minimizes dust. 54" heavy duty zipper opening, furnished with Unit.

HOW TO ORDER REPAIR PARTS

NOTE: When ordering service parts for any model Vac, follow the instructions listed below. By so doing, you will be assured of receiving the correct part in the shortest possible time.

1. Give the model and serial number found on the back of fan housing or back of chassis on your unit.

2. Write the complete part number as well as the description of the part, and quantity of part required.

3. Whenever the terms "left and right, or L and R" are used herein, it should be understood to mean from a position facing in direction of forward travel.

4. Give detailed shipping instructions. That is: whether shipment is to be by parcel post, United Parcel, air express, freight or truck.

NOTE: Parker Sweeper Co. is continually striving to improve its products. We must, therefore, reserve the right to make improvements or changes, when it becomes practical and possible to do so, without incurring any obligation to make changes or additions to the equipment previously sold.

READ SAFETY AND OPERATING INSTRUCTIONS BEFORE OPERATING EQUIPMENT

1. Attach the dust bag to the sweeper by placing the loops over the handles. Slip the neck of the dust bag over the Spin-Pak until the tie strap can be pulled tight around the housing neck just over the bead on the Spin-Pak. The bead must be covered.

2. Before starting the motor read and understand the following:

Spin-Pak is in place.

Dust Bag or Discharge Hose is in place.

NOTE: FAILURE TO OBSERVE SAFETY INSTRUCTIONS MAY RESULT IN SERIOUS INJURY!

A. Intake Housing or Hose - It is attached to the Fan Housing.

B. Heavy concentration of sand and gravel should be avoided. These materials are extremely abrasive, and while the Vac-35 will handle moderate amounts of these materials, it was not designed for heavy applications. Because these materials are extremely heavy, only small amounts should be allowed to collect in the bag because large amounts cause poor handling and difficulty in pushing. The Vac-35 is capable of picking up empty tin cans and blocks of wood, but it was not intended for this type of service, since tremendous stresses build up as these pieces pass through the impeller. Treat your Vac-35 with reasonable care and it will repay you with trouble-free service.

C. The Vac-35 will handle most common kinds of debris found around industrial plants, commercial buildings, homes and farms. Acid contaminated materials, magnesium, dust and other DANGEROUS DEBRIS that is considered hazardous should not be handled with the Vac-35 unless approved by a regulating authority considered to be an expert in the handling of such hazardous materials.

D. Keep dust bag clean. The efficiency of this unit depends on the breathing capabilities of the dust bag. On extremely dusty jobs, empty bag often. Never allow debris to remain in bag after use. There is a danger of spontaneous combustion.

DANGER: Improper use of this equipment may result in serious injury.

3. LUBRICATION

Lubricate the wheel bearings and wheel axle on the caster once a week if used daily. This will keep the unit operating smoothly.

4. SERVICING

A. The Vac-35 is equipped with a front adjustable caster which will provide any height adjustment of intake housing that may be practical. Lock Nuts *must* be kept tight.

CAUTION: DO NOT WORK ON VAC-35 with motor running. Bring to a DEAD STOP. Remove plug on motor. When changing attachments, bring to a complete stop.

B. For easy rolling, keep the tires inflated to 25 pounds pressure.

C. For a "like new" appearance, wash the plastic blower housing and nozzle with soap and water, rinse with clear water and wipe dry. Do not use harsh abrasives or cleansers as they will dull the bright finish.

5. DUST BAG CARE

1. Keep the Dust Bag clean at all times.
2. To clean the Dust Bag, turn the bag inside out and reattach to the sweeper.
3. Start the motor and run at full throttle. Lightly tap the bag to release the dust trapped in the weave.
4. When the bag is clean, remove it and turn it right side out again. Reattach to the sweeper and resume sweeping.
5. **DO NOT** wash the Dust Bag to clean. Washing will shrink the material, reducing airflow through the bag and seriously reduce vacuum.

OBSERVE SAFETY RULES AT ALL TIMES. DON'T TAKE CHANCES!

5. ELECTRIC POWERED MODELS ASSEMBLY

A. Refer to Electric Switch Diagram 17 and 18. This support hook is to provide a place to store the extension cord. The cord is not furnished by Parker Sweeper Co.

B. Remove hardware from hook and place the bolts thru the holes in item 17, Electric Switch Diagram, then thru the holes in the neck from inside the fan housing. Place the hook item 16 over the bolts and install and tighten the nuts.

This model leaves the factory wired for 220 Volt AC operating current. This model has the open drip proof motor with the start-stop switch to be installed on the handle. All of the electrical connections have been made and the parts have been assembled. To assemble switch in proper position, slide it upwards toward the upper cross brace until electrical cord has very little slack. Tighten nuts, item 10, being sure that switch is in upright position.

D. Extension cords are not furnished with electric model Vacs. The switch assembly is supplied with a male locking connector, four conductor, polarized, to which an extension cord is to be attached. Electrical cords must be 4 Conductor type and both power outlets and cords shall meet all local and national codes. The power source must be properly fused and grounded.

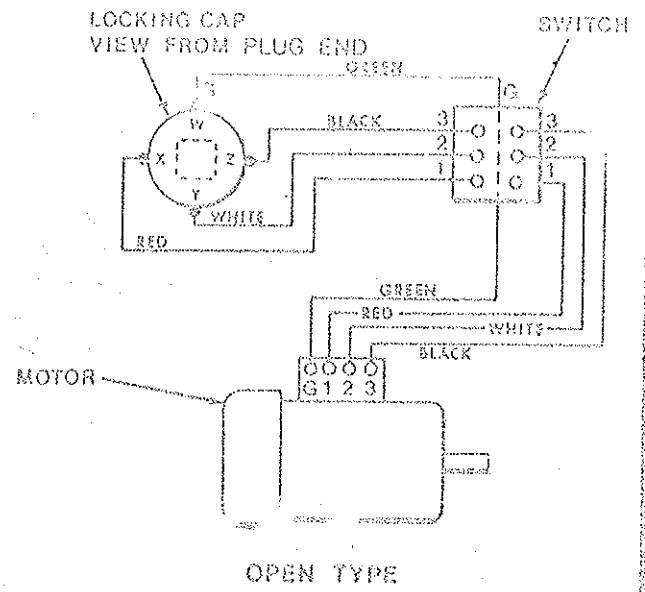
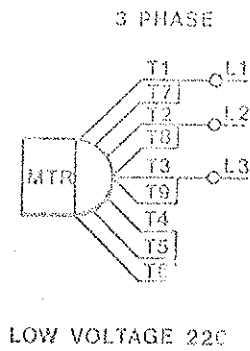
H. All cords must be 4 Conductor, and both power outlet and extension cords shall meet all local and national codes. The power source must be properly fused and grounded.

I. PHASE ROTATION. The motor direction of rotation is determined by the sequence of the phase connections. This unit leaves the factory properly wired for 220 volt AC current and a standard sequence. If power connections are not standard it will be necessary to interchange any TWO of the three lead connections, 1, 2 and 3 on the motor to obtain the correct direction of rotation. Your power company can assist you in the determination of the phase sequence.

IMPORTANT: It is important that the direction of the Vac-35 Impeller rotation be checked on this machine. Looking directly at the impeller from the front of the machine, it should turn counterclockwise, as indicated by arrow on front of fan housing.

CAUTION: All electrical cord and outlets should meet local and national electrical codes. For extension cord up to 50 ft. in length use No. 14 wire. For extension cord up to 100 ft. in length use No. 12 wire.

NOTE: OBSERVE ALL APPLICABLE LOCAL, STATE AND NATIONAL ELECTRICAL CODES AND REGULATIONS WHEN USING THIS EQUIPMENT.



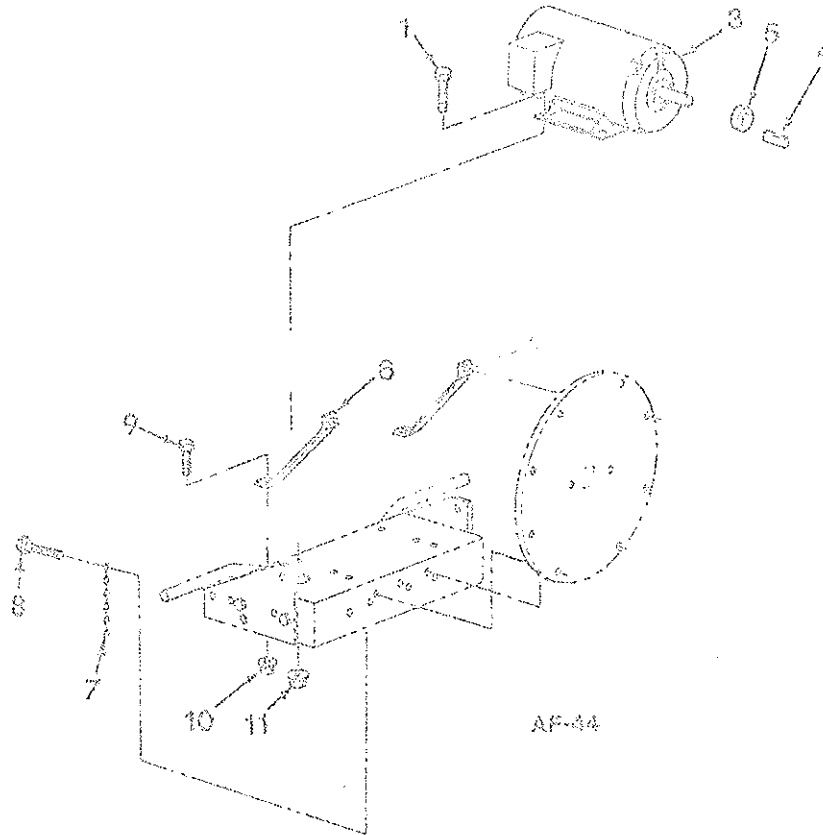
AF-40

Wiring Diagram

VOLTAGE CONVERSION PROCEDURE

- A. If the unit is to be used in a location where 440 volt, 3 phase, 60 Hz power is available, the electric motor can be converted in the following manner.
- B. MAKE SURE MOTOR IS DISCONNECTED FROM POWER SOURCE.
- C. Remove the junction box cover from the motor. Refer to wiring diagram and disconnect leads and reconnect for 440 volt. Attach a tag to the unit indicating that it is to operate only 440 volt.

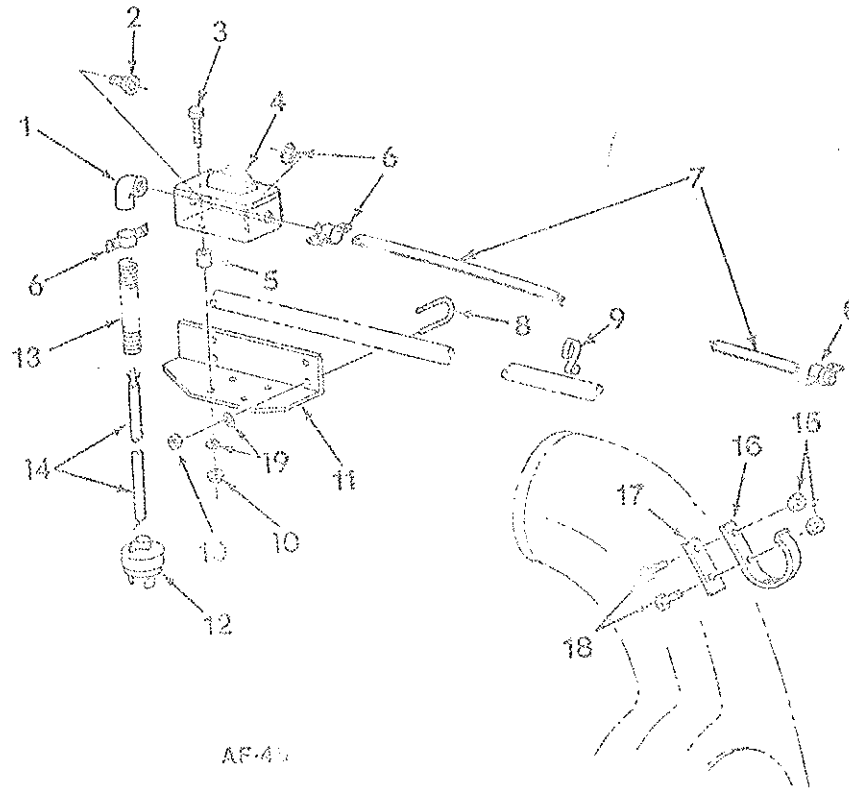
MOTOR GROUP



PARTS LIST

QTY.	Part No.	Description	PV-8803-E
	65-516-12	Bolt, Hex. Hd. 5/16-18 x 3/4	8
3	87-62-D	Motor	1
4		Motor Key 3/16 x 1 3/8 (supplied w/motor)	1
5	72-163-A	Fan Spacer	1
6	73-409-B	Support Bracket	2
7	47-219-A-8	Static Ground Chain	2
8	65-416-20	Bolt, Hex. Hd., 1/4-20 x 1 1/4	2
9	65-415-12	Bolt, Hex. Hd., 1/4-20 x 3/4	2
10	365-416	Nut, Hex. Lock, 1/4-20	4
11	365-516	Nut, Hex. Lock, 5/16 x 18	8

ELECTRIC SWITCH GROUP



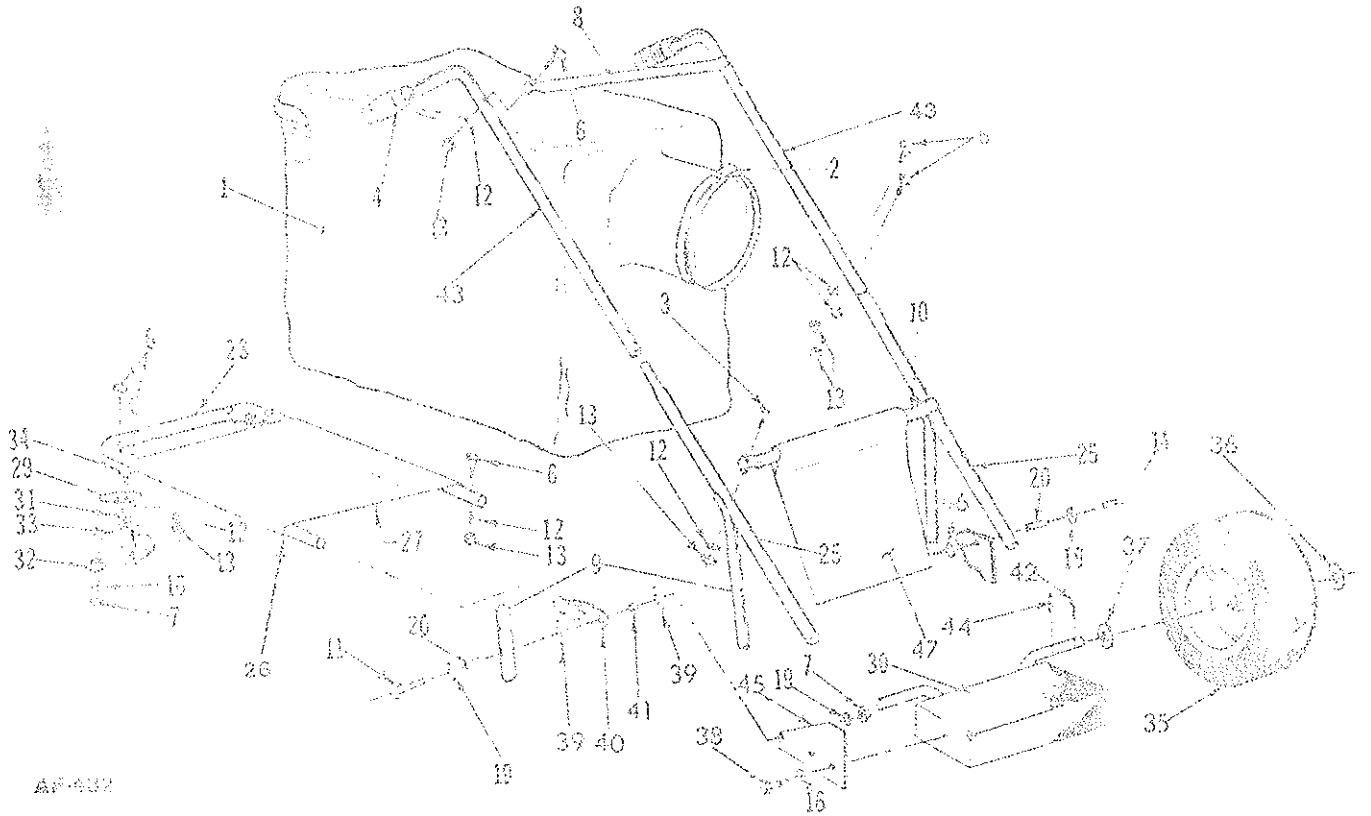
AF-4

PARTS LIST

Ref. No.	Part No.	Description	PV-8803-E
1	87-91-B	Elbow, Female 1/2" x 90°	1
2	72-171-A	Conduit Fitting	1
3	65-416-20	Bolt, Hex. Hd., 1/4-20 x 1 1/4	4
4	64-148-B	Switch, 3 Pole	1
5	63-219-A	Spacer	4
6	63-15-A	Connector	3
7	89-29-B	Cord 1/4", Type S.O. Neoprene, 57 1/2 In. Lg.	1
8	82-45-A	U-Bolt	2
9	82-57-A	Clamp	1
10	365-416	Nut, Hex. Lock, 1/4-20	8
11	87-118-D	Bracket, Switch Mtg.	1
12	87-129-B	Locking Cap, 4 Wire Polarized	1
13	64-159-A	Spring	1
14	89-31-B	Cord, 1/4", Type S.O. Neoprene, 43 Inch, Lg.	1
15	364-416	Nut, Hex. Lock, Thin, 1/4-20	2
16	63-143-C	Cable Hook	1
17	63-175-A	Washer, Plate	1
18	65-416-12	Bolt, Hex. Hd., 1/4-20 x 3/4	2
19	945-416	Flatwasher, 1/4"	8

* Cannot Be Substitute Material

HANDLE ASSEMBLY



AP-402

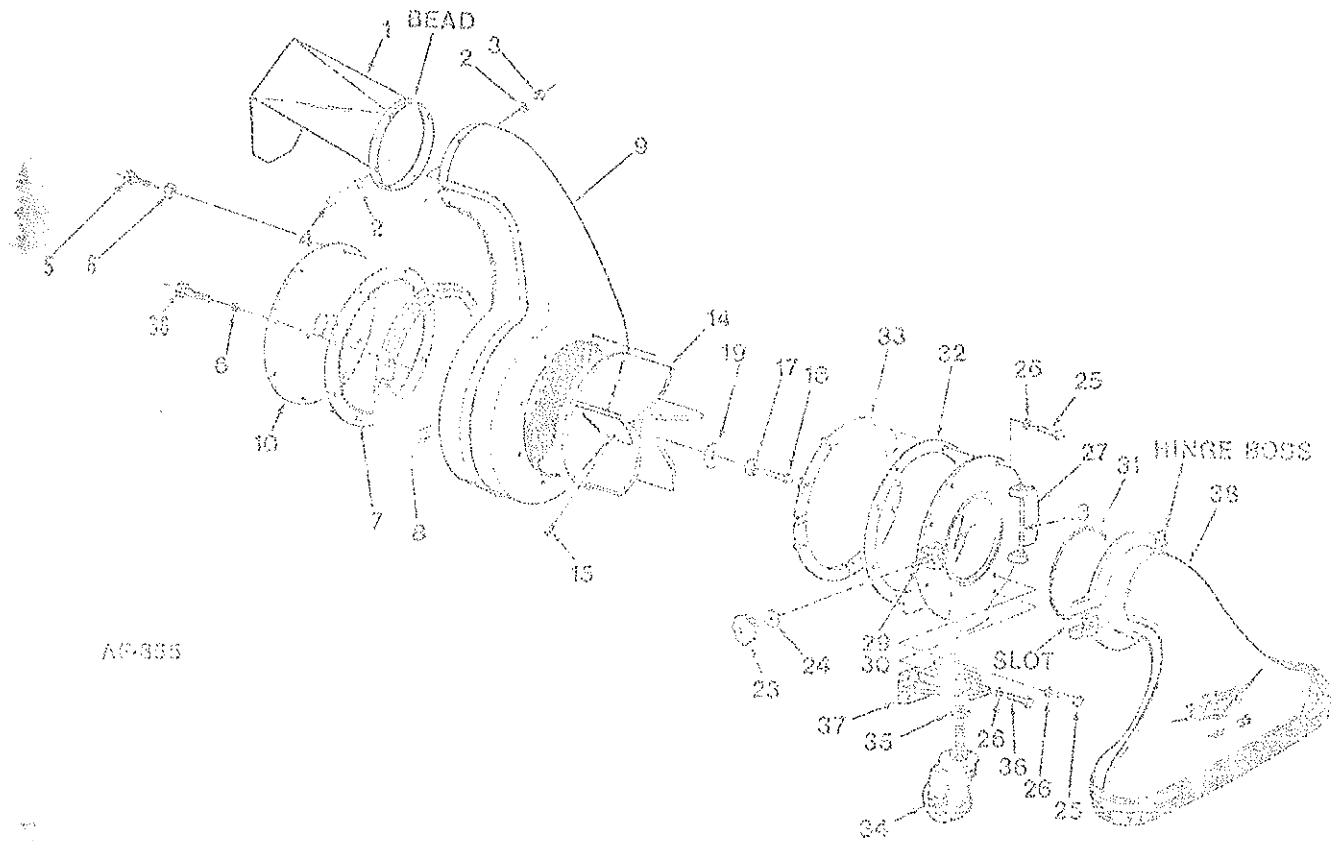
*Have Peg for
Bag Platform
5A-1530-B*

HANDLE ASSEMBLY

PARTS LIST

Ref. No.	Part No.	Description	PV-8803-E
1	MA-419	Dust Bag Assembly	1
2	SA-794-B	Strap Assembly	1
3	69-416-28	Bolt, Contour Hd., 1/4-20 x 1 3/4	2
4	80-232-A	Handle Grip	2
6	69-416-24	Bolt, Contour Hd., 1/4-20 x 1 1/2	12
7	365-516	Nut, Hex. Lock, 5/16-18	4
8	81-04-B	Cross Brace, Upper	1
9	82-246-C	Back Brace	2
10	81-58-B	Cross Brace, Lower	1
11	65-516-32	Bolt, Hex. Hd., 5/16-18 x 2	2
12	955-416	Lock Washer, Spring, 1/4	14
13	335-416	Nut, Hex. Plain, 1/4-20	14
14	65-516-24	Bolt, Hex. Hd., 5/16-18 x 1 1/2	2
16	935-516	Lockwasher, Spring, 5/16	6
19	945-516	Flatwasher, 5/16	6
20	80-238-A	Insert	4
25	82-245-B	Middle Handle	2
26	SA-982-C	Bag Platform (Complete Assembly)	1
27	81-117-C	Bag Platform	1
28	81-96-B	Frame, Bag Platform	1
29	82-02-B	Caster Plate	2
30	88-60-C	Chassis Weldment	1
31	50-230-A	Washer, Special	2
32	78-130-A	Bearing, Caster	2
33	SA-962-B	Caster Assembly	2
34	65-516-16	Bolt, Hex. Hd., 5/16-18 x 1	2
35	SA-231-B	Wheel Assembly	2
36	945-1216	Flatwasher, 3/4	2
37	960-1216	Flatwasher Thick, 3/4	2
38	65-516-12	Bolt, Hex. Hd., 5/16-18 x 3/4	4
39	76-36-A	Special Washer	4
40	81-116-A	Tubing End Cap	2
41	81-120-A	Spacer	2
42	380-432-20	Cotter Pin	2
43	80-321-C	Upper Handle	2
44	67-521-A	Roll Pin .187 x 1	2
45	73-362-C	Handle Bracket	2
46	364-516	Nut, Hex. Lock, Thin, 5/16-18	2
47	80-237-A	Bag Guard	1

HOUSING ASSEMBLY



AP-355

HOUSING ASSEMBLY

PARTS LIST

Ref. No.	Part No.	Description	PV-8803-E
1	83-72-13-B	Spin-Pak, Deflector	1
2	945-416	Flat Washer, Plain, 1/4	8
3	364-816	Nut, Hex. Lock, Thin, 1/4-20	4
4	65-416-10	Bolt, Hex. Hd., 1/4-20 x 5/8	4
5	65-416-16	Bolt, Hex. Hd., 1/4-20 x 1	6
6	985-416	Lockwasher, 1/4	6
7	62-187-C	Rubber Casket	1
8	64-78-C	Anti-Wrap Segment	4
9	70-103-F	Housing Assembly	1
10	72-161-C	Back Cover	2
14	72-162-D	Fan Wheel	1
15	564-516-16	Setscrew	1
16**	60-516-16	Bolt, Hex. Hd., 5/16-24 x 1	1
17	935-516	Lockwasher, Spring, 5/16	1
19	82-135-B-1	Washer, Special	1
	65-225-D	Front Cover Assembly	1
23	80-29-A	• Adjusting Knob	1
24	945-816	• Flat Washer, Plain, 1/2	1
25	65-416-16	• Bolt, Hex. Hd., 1/4-20 x 1	8
26	935-416	• Lockwasher, 1/4	10
27	63-191-D	• Front Cover	1
28	63-194-A	• Hinge Pin	1
29	63-192-A	• Pivot Bolt	1
30	63-193-A	• Roll Pin, 0.264x1 3/4	1
31	65-190-A	• O-Ring, Gasket	1
32	75-05-C	• Gasket, Front	1
33	64-78-C	• Anti-Wrap Segment	4
34	64-71-A	Caster, Stem Type	1
35	340-1-16	Nut, Hex. Jam, 3/4	1
36	65-416-20	Bolt, Hex. Hd., 1/4-20 x 1 1/2	1
37	66-430-C	Caster Bracket	1
38	6A-911-D	Intake Housing, 30 Inch	1
38	MA-113-D	Intake Housing, 24 Inch	*
38	MA-120-D	Intake Housing, 36 Inch	**

* Purchased Separate, Optional Accessory
 ** 15 Torque 5/16 Bolt to 18-20 Ft./Lbs.

