



Electronic Service Manuals

This electronic document is provided as a service to our customers. We do not create the contents of the information contained in this document. Should you have detailed questions pertaining to the information contained in this document, you may contact Michco, or the manufacturer which provided the original information in this electronic deliverable. Michco's only part in this electronic deliverable was the electronic assembly process. By providing this manual on line we are not guaranteeing parts availability.

You may contact Michco through the following methods:

Phone (517) 484-9312 or (800) 331-3339

2011 N. High St. -- Lansing, Michigan -- 48906

Fax: (517) 484-9836

Email: CustServe@Michco.com

Web site: www.Michco.Com

Parts Web site: www.FloorMachineParts.Com

Order Parts on Line at:

www.FloorMachineParts.Com

Directly to Parts & Service:

By Email: **Shop@Michco.com**

By Fax: (517) 702-2041

By Voice: Use numbers above.

Serving the Cleaning Industry Since 1922

Notice: All copyrighted material remains property of original owners, all trademarks are property of respective owners. Manuals are subject to Manufacturer's reproduction limitations. Originals or reproductions were provided by manufacturers through a request. We make no warranty as to the correctness of information provided in this document and you assume all risk. By placing these manuals on line we are not declaring our corporation to be an manufacturer authorized dealer or provider, please check our web site for authorized manufacturers we represent.

OWNERS GUIDE

OKS

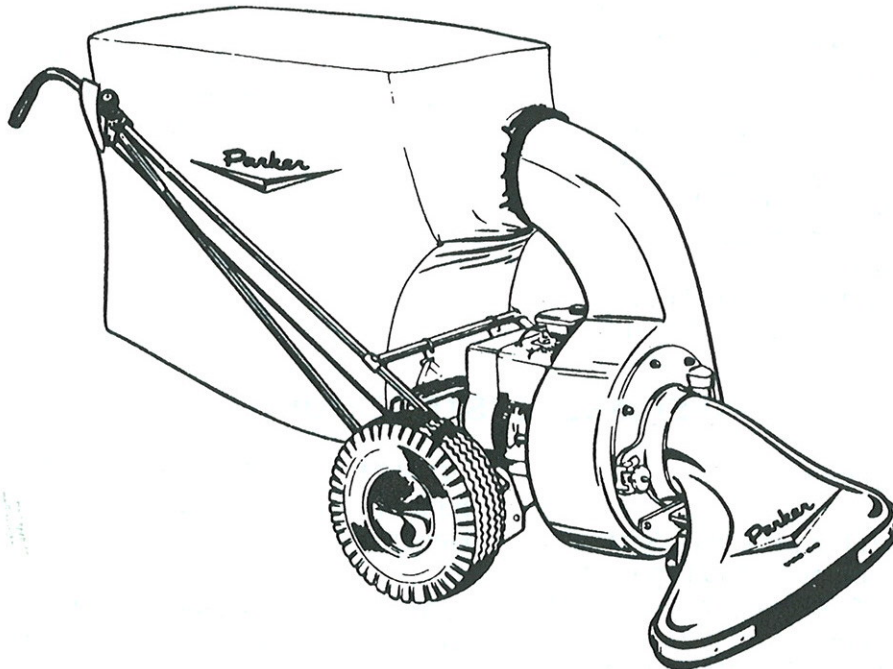


VACUUM SWEEPER VAC-35 SELF-PROPELLED

MODEL PV-8008K-SP

MODEL PV-8008K-SP-LP

MODEL PV-8008-AK-SP



**READ THESE INSTRUCTIONS
BEFORE SETTING UP AND OPERATING MACHINE**

**NOTE: FOR OPERATION ON TURF OR OTHER UNPAVED SURFACES,
TURF WHEEL KIT MA-255 D, MUST BE INSTALLED IN PLACE OF CASTER.**

PARKER SWEEPER COMPANY Box 1728 Springfield, Ohio 45501

Plate No. 233 (Rev. 11-14-80)

GENERAL INFORMATION

1. The handles are assembled to the frame and the fan housing parts are assembled in the same manner for all models covered by this manual. Whenever a difference in instructions occurs, either a separate instruction or an "Explanation Note" will be given.

NOTE: The intake housing is purchased separately and is shipped in its own carton, except the PV-8008-AK-SP, which is all in one box.

2. The Vac-35 is shipped in two cartons. No. 1 contains the Sweeper Unit, Filter Bag, Spin-Pak with hardware, Front Caster with hex nut and the following hardware packed with the engine throttle and attached to the engine:

Qty.	Part No.	Description
2	76-179-A	Cable Clamps
2	515-8-8	Screw #8-32 x 1/2 Rd. Hd. Machine
2	365-8	Nut #8-32 Hex Lock
1	SA-468-B	Safety Stop Switch Assem.
2	517-10-18	Screw #10-24 x 1 1/8 Oval Hd. Machine
2	365-10	Nut #10-24 Hex Lock
1	74-107-A	Rod Speed Control
1	SA-450-B	Shift Lever Assembly
1	69-416-24	Bolt, 1/4-20 x 1 1/2 Contour Hd.
1	945-416	Washer Flat 1/4
1	335-416	Nut Hex Plain 1/4-20
1	380-332-12	Pin, Cotter 3/32 x 1

3. No. 2 carton contains the handles and hardware for assembling and attaching handles as follows:

Qty.	Part No.	Description
2	76-62-A	Red Handle Grip
4	76-178-A	Tube Insert
4	65-516-24	Bolt 5/16-18 x 1 1/2 Hex Hd.
2	65-416-24	Bolt 1/4-20 x 1 1/2 Hex Hd.
2	69-416-24	Bolt 1/4-20 x 1 1/2 Contour Hd.
4	365-516	Nut Hex Lock 5/16-18
2	364-416	Nut Hex Lock 1/4-20
2	935-416	Washer, Spring Lock 1/4
2	335-416	Nut Hex Plain 1/4-20

4. Unpack cartons and check contents. If not correct, notify the factory to obtain parts needed. Do not discard any of the cartons or inner packing until machine is completely assembled.

5. Whenever the terms "Left and Right" or "L & R" are used herein, it should be understood to mean from a position facing in the direction of forward travel.

NOTE: MODEL NO. PV-8008-AK-SP is shipped complete with all the above components in one box, including 30" intake housing.

ASSEMBLY INSTRUCTIONS

1. BASIC UNIT CARTON NO. 1

A. The caster assembly should be installed first to provide stability to the engine and housing assembly (see items 34 and 35, AF-42). The hex nut on the caster stem should be run all the way down. Thread the caster stem into the bracket casting, (item 37, AF-42), until the threads are even with the top of the casting. See paragraph D on how to adjust height of intake housing.

B. SPIN-PAK Assemble the Spin-Pak to the Blower Housing by removing the four bolts and slipping the ring over the housing neck. Line up the holes and insert four 1/4-20 x 5/8 bolts. Assemble washers and nuts to bolts.

DO NOT TIGHTEN. CENTER UP Spin-Pak and tighten top bolt. Press ring around the Blower Housing on the sides and tighten the bottom bolt.

C. The Intake Housing should be attached to the front of the Blower Housing by inserting the hinge boss behind the hinge rod on the Front Cover (item 28, AF-42). Next swing the Intake Housing (Ref. 38, AF-42) until the slot fits over the adjusting screw and can be locked in place by tightening knob (Ref. No. 23, AF-42).

D. Adjust the height of the intake housing in relation to the floor by loosening the jam nut

on the caster and threading the caster in or out of the bracket. When the desired height is determined, lock the caster in place by tightening the jam nut against the bracket. Normal floor clearance for intake housing is $\frac{3}{4}$ to $1\frac{1}{4}$ ".

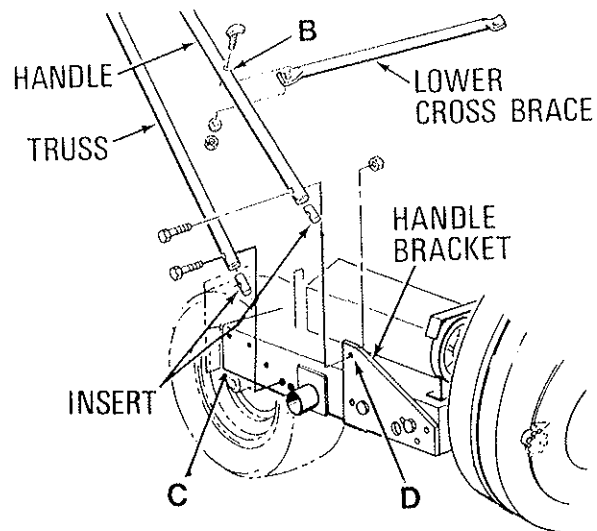
NOTE: If your sweeper is going to be used primarily for turf sweeping, the optional "wheel turf kit" should be installed on the unit in place of the caster.

2. HANDLE ASSEMBLY CARTON NO. 2

A. The next step in assembly is to install the handles. There are two sets of holes in the handle truss. Use the $\frac{1}{4}$ -20 x $1\frac{1}{2}$ hex head bolts to attach top crossbrace to the handle (see below). Install the crossbrace with the throttle control holes to the left side. Place the bolt through the second hole in handle truss. Assemble the crossbrace and truss in the same hole location on each side. **DO NOT TIGHTEN BOLTS.**

B. Assemble the lower crossbrace to the bottom of the two handles using the $\frac{1}{4}$ -20 X $1\frac{1}{2}$ contour head bolts, $\frac{1}{4}$ lock washers, and $\frac{1}{4}$ -20 hex nuts. **DO NOT TIGHTEN.**

C. Assemble the two trusses to the two holes in the chassis behind the axle, using $\frac{5}{16}$ -18 x $1\frac{1}{2}$ bolts and $\frac{5}{16}$ -18 hex lock nuts. Make sure that the steel insert is in the end of each truss as shown when attached at point "C" (above). **DO NOT TIGHTEN.**



D. Assemble the two handles to top holes of the right and left handle and axle brackets using $\frac{5}{16}$ -18 x $1\frac{1}{2}$ bolts and $\frac{5}{16}$ -18 lock hex nuts. Make sure a steel insert is in the end of each handle as shown when attached at point "D" (above). **DO NOT TIGHTEN.**

E. Tighten all the bolts and nuts. Bring nuts up to a "snug" position all the way around, check handle assembly for alignment and, if OK, give each a final tightening. If alignment is needed, be sure nuts are just loose enough in all the joints to permit movement between the holes and the bolts. This should be enough to result in correct alignment. **DO NOT** bend tubing to accomplish proper position.

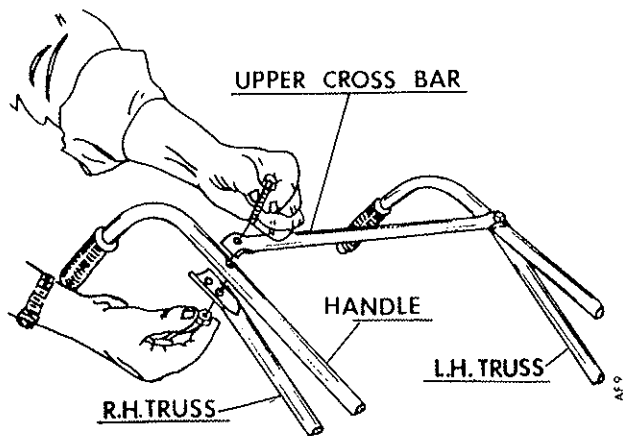
Be sure that the bolts are pulled down tight enough for approximately one bolt thread to extend through the nut. It may be necessary to collapse the tube **SLIGHTLY** to accomplish this.

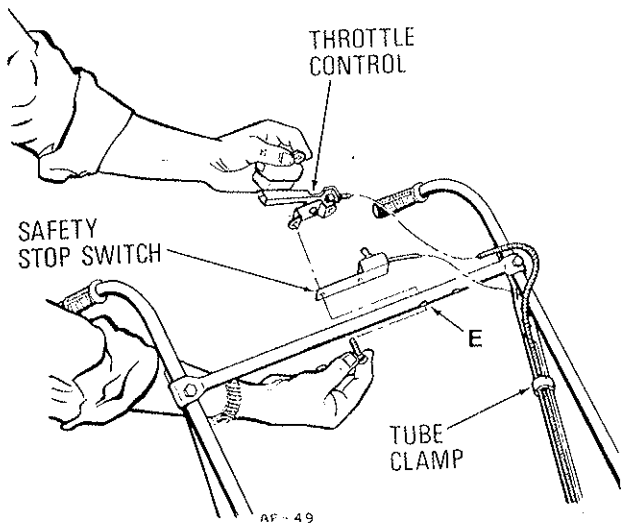
F. Slide the handle grips onto the handles.

NOTE: See specific instructions farther back in owners guide for PV-8008-AK-SP handle assembly.

3. ENGINE POWERED WITH GASOLINE AND LIQUID PROPANE FUEL MODELS ASSEMBLY

WARNING: The engine contains **NO OIL**. Read the Engine Instruction Manual carefully before erating the Vac-35. Be sure you know how to start and stop the engine before proceeding. Do not start the engine until all assembly is completed.





Throttle and Safety Switch

A. The next step is to install the Throttle and Safety Stop Switch. Remove the throttle control assembly and Safety Stop Switch from the bag of parts in the large kraft bag attached to the engine.

B. Unroll the throttle cable and run it up the left hand truss brace and over the top of the handle. Avoid placing too sharp a bend in the cable.

C. Attach the cable to the left hand truss using the two clamps, nuts, and bolts from the small bag of parts. See handle assembly drawing for location of throttle clamps.

NOTE: If the cable is too short, remove the top crossbrace and turn it around, then fit the throttle lever onto the crossbrace.

D. Attach the throttle control lever bracket and safety stop switch to the rear side of the top cross bar using the two oval head screws and two nuts from the small bag of parts.

E. See drawing above. Wrap the electric wire from the safety stop switch around the throttle control cable four or five times. DO NOT clamp electric wire under cable clamps. Attach lower end of wire to condenser section of the engine.

Note: See L.P. assembly drawing for reference on F. through J.

F. If your Vac-35 has been purchased with Liquid Propane Fuel, then you must have a Vapor Withdrawal Fuel Tank. Your unit is designed to take either a 14 pound or 20 pound Fuel Tank. These are not furnished as standard equipment. They can be ordered separately from Parker Sweeper (item 22 will be included). If obtained from your local LP fuel supplier, he will need to install this street EII which always remains with the tank.

G. To install, place the fuel tank in the cradle shown as Item 23. The hold-down strap (Item 24) will fit either size tank. When installing, the small hole in the tank collar must fit over the vertical pin to meet government regulations for LP fuel tanks. This orients the emergency relief valve so that any fuel discharged due to excess tank pressure will be directed UPWARD.

H. After tank is secured, remove the male half (Item 21) from the quick disconnect coupling and hose assembly; thread it onto tank street EII (Item 22).

I. Attach the hose assembly to the tank by threading the quick disconnect coupling, (Item 20 to Item 21).

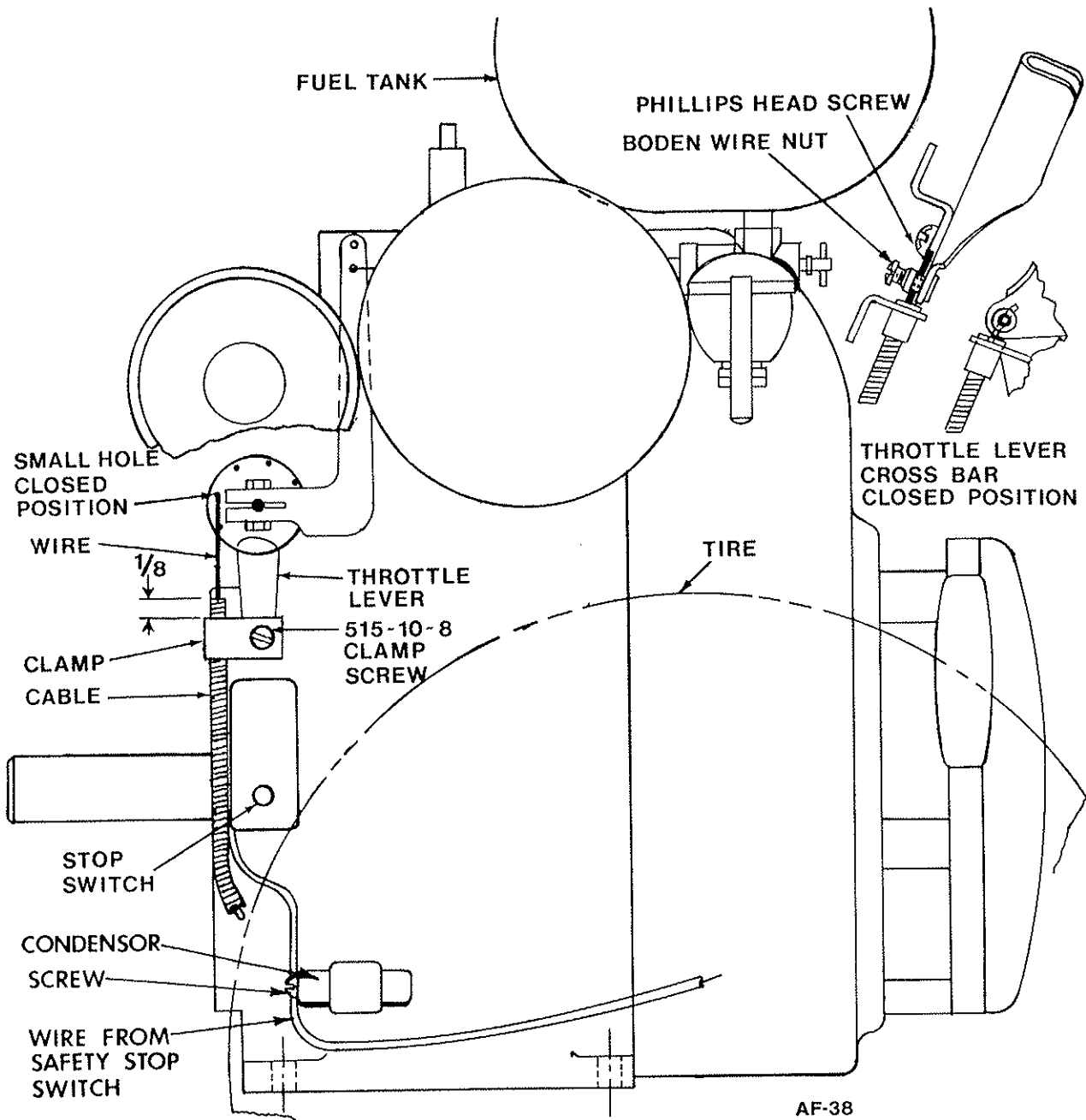
J. See Operating Instructions for procedure to be used in starting engine with LP fuel.

NOTE: The following instructions are prepared to enable the operator or mechanic to make the initial assembly or to replace the engine throttles and correct any malfunction of the throttle control assembly that may occur.

DANGER:

Make a thorough inspection to see that all fastenings are tight and all parts are properly installed. DO NOT start engine without Intake and Filter Bag in place. See page 6 for installing Filter Bag and page 2 for installing intake.

If engine is started without intake attached, serious injury may result by drawing clothing or parts of the body into the fan. If engine is run without filter bag, small stones or other objects may be picked up and propelled at operator or bystanders through the unprotected opening causing serious injury.



Kohler Engine Throttle Hook-up

4. THROTTLE HOOK-UP KOHLER ENGINE

A. Insert end of wire into small hole in throttle control lever on cross bar. The cable is attached to the throttle control lever bracket. At the lower end of throttle assembly, insert end of wire into small hole in throttle lever on engine as shown.

B. Loosen clamp screw and slip cable through clamp on the left side of the screw.

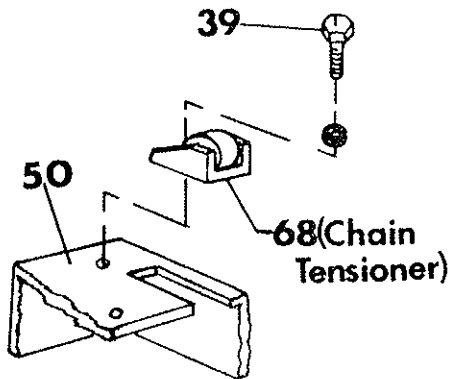
C. With about $\frac{1}{8}$ inch of cable extending beyond clamp, tighten screw.

D. Check travel of throttle lever and adjust as follows. With the throttle lever on engine in the closed position, the lever on handle should be as shown. Next, tighten boden wire nut on throttle lever to prevent slipping on throttle wire. Throttle assembly is now ready to test.

NOTE: If throttle does not stay open due to vibration of machine, tighten friction screw on lever assembly on cross bar until there is sufficient friction to hold throttle open.

1. Chain Tensioner Adjustment

A. The chain tensioner should be adjusted properly at factory before shipment. Chain should be checked periodically for chain tension and wear on chain tensioner. If chain tensioner should need replaced or chain tension adjusted, follow instructions below.

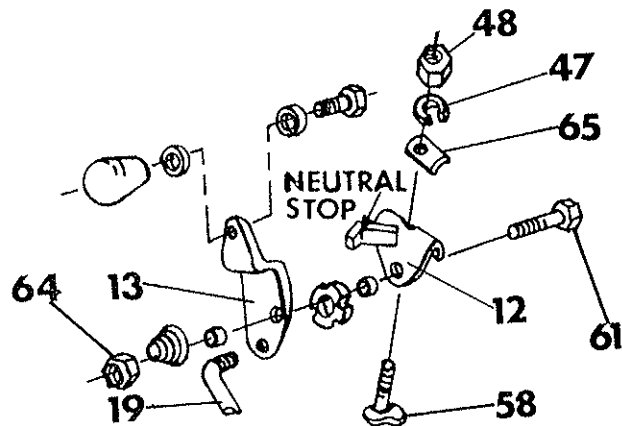


B. Remove the chain cover (15) by removing three 1/4-20 hex heads bolts (14). Loosen 5/16-18 hex head bolt (39) until chain tensioner (68) will slide back and forth on the chassis (50). Slide the tensioner forward (toward the chain) until the tensioner will not slide further. Pull tensioner back about 1/8" and retighten 5/16-18 hex head bolt (39). Check chain tightness by pushing down and lifting chain between the tensioner (68) and the differential sprocket (41). Chain should move approximately 1/8" when checked as described above, if adjusted properly. If chain is adjusted too loosely it will jump sprocket teeth. If adjusted too tightly the chain may break or cause excessive wear on bearings.

2. Gear Shift Hook Up

A. Remove contour bolt (58), hex nut (48), lockwasher (47) and clamp (65). Slide the gear shift bracket over right handle just below crossbar. Insert contour bolt (58) from under and through handle and hole in shifter bracket.

B. Secure in place using clamp (65), lockwasher (47), and 1/4-20 hex nut (48). Do not tighten all the way, adjustments will be made on it in later instructions.

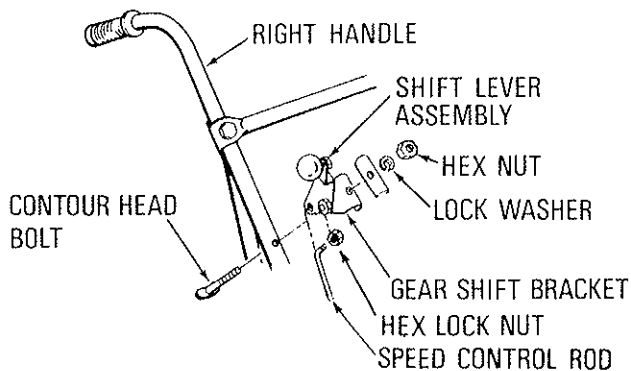


C. Loosen 1/4-20 nut (48) holding bracket (12) to handle assembly, until the bracket will slide back and forth in slot.

3. Control Rod Hook Up

A. Speed control rod (19) should be attached to the transmission lever at the transmission (29) and cotter pin (18) inserted into the control rod. Speed control rod (19) should be inserted into the hole on shift lever (13) and 3/8-16 hex lock nut attached to the shift lever with 1 1/2 to 2 threads protruding through nut.

B. Be sure transmission (30) is in neutral gear (second from lowest lever position). Unit may be pushed back and forth if unit is in neutral. Slide the bracket (12) back and forward as required to cause shift lever (13) to rest against the neutral stop.



C. Tighten ¼-20 nut (48) holding bracket in the position just described. Move shift lever (13) through forward gears and return to neutral stop. Unit should push forward and backward freely. If unit does not move freely in neutral after this testing, repeat the above procedure being careful to rest the shift lever (13) against the neutral stop before retightening ¼-20 nut (48).

4. Belt Adjustment

A. Remove guard (37). Loosen bolts (32) which secure the bracket (55).

B. Bracket (55) has slots which permit the sheave to be moved. By moving bracket, belt tension can be adjusted.

C. Slide the bracket (55) to the right side of the chassis. Tighten the bolts and check belt for tightness.

5. Belt Replacement

A. Belt can be easily replaced by removing the blower housing and fan.

B. Remove the spark plug to insure that engine cannot be started.

C. Remove the following items:

1. Dust bag (1) and spin pak (1)
2. Intake housing (38)
3. Front cover (27)
4. Hex head bolt (16)
5. Lock washer (17)
6. Flat washer (18)
7. Fan retainer (19)
8. Fan (14)
9. Bolts (6 & 11)
10. Washers (7 & 12)
11. Fan Housing (9)
12. Spacers (13)
13. Guard (37)
14. Guard (53)

D. Loosen bolts which secure bracket (55) to the chassis. Remove and discard old belt. Install new belt and adjust bracket (55) so that belt tension is correct. Correct belt tension is achieved when, with moderate force applied by a finger, the top of the belt can be pressed downward about ⅛".

6. Install Dust Bag

A. Attach the dust bag to the sweeper by placing the loops over the handles and attaching the hooks to the front bag straps, then hooking them over the lower crossbrace. Slip the neck of the dust bag over the Spin-Pak until the tie strap can be pulled tight around the housing neck just over the bead on the Spin-Pak. The bead must be covered.

Operating Instructions

1. Transmission MUST be in NEUTRAL. Pull back on gear shift until stop is reached.

A. Move SAFETY STOP switch to ON position.

B. Transmission has one reverse and five progressive forward speeds.

1. After engine has started, release the BRAKE by twisting lever and letting it slide down.

2. Push gear shift lever forward to first speed; continue to push gear shift lever forward until desired speed is reached.

NOTE:

Transmission has five forward progressive speeds. Unit will always move from first through each of the five speeds. Unit cannot

be moved from neutral to higher speed without going through the lower speeds.

3. To move from forward speed to reverse, pull back on gear shift lever until neutral stop is reached. Pull lever out to the right, past the neutral stop, and straight back to reverse. Push forward for neutral position.

C. To STOP UNIT, PLACE GEAR SHIFT LEVER IN NEUTRAL, and move SAFETY STOP switch to OFF position. Pull up and twist brake lever ¼ turn to lock in brake position.

2. Before starting the engine read and understand the following:

A. Engine crankcase is to be filled with the proper type and amount of oil.

B. Spin-Pak is in place.

C. Dust Bag or Discharge Hose is in place.

D. Transmission is in neutral and parking brake is in the ON position.

NOTE: Do not operate the machine without first releasing the parking brake. To fail to do so places an undue strain on the transmission and may cause premature failure.

E. Intake Housing or Hose Kit is attached to the Fan Housing.

F. Heavy concentrations of sand and gravel should be avoided. These material are extremely abrasive, and while the Vac-35 will handle moderate amounts of these materials, it was not designed for heavy applications. Because these materials are extremely heavy, they will tend to collect in a lump in the bag, causing it to drag on the ground and wear out prematurely. The Vac-35 is capable of picking up empty tin cans and blocks of wood, but it was not intended for this type of service. As these pieces pass through the impeller undue stress builds up, which may damage the Vac-35. Treat your Vac-35 with reasonable care and it will repay you with long, trouble-free service.

G. The Vac-35 will handle most common kinds of debris found around industrial plants, commercial buildings, homes, and farms. Acid contaminated materials, magnesium, dust and other DANGEROUS DEBRIS should not be handled with the Vac-35 unless approved by a regulating authority expert in the handling of such hazardous materials.

H. Keep the filter bag clean. The efficiency of this unit ends on the breathing capabilities of the dust bag. On extremely dusty jobs, empty the bag often. Never allow debris to remain in the bag after use due to danger of spontaneous combustion.

3. LUBRICATION

A. Lubricate the wheel bearings and wheel axle on the caster once a week if used daily. A few drops of oil applied to the throttle control cable and wire will keep it operating smoothly.

NOTE: Refer to engine operating instructions for proper lubrication of the engine.

4. SERVICING

A. The Vac-35 is equipped with a front adjustable caster which provides any height adjustment of intake housing that is practical.

NOTE: It is advisable to use the optional wheel turf kit or rubber roller kit when sweeper is used primarily for turf sweeping.

B. For servicing and operating instructions for engine, refer to Engine Manufacturers Service Manual. Careful attention to care of air cleaner and crankcase lubrication instructions will insure longer engine life. KEEP ENGINE CLEAN.

CAUTION: DO NOT WORK ON VAC-35 repairs with engine running or idling. Bring to a DEAD STOP. Remove spark plug on engine models. When changing attachments, bring engine to a complete stop.

C. For easy rolling, keep the tires inflated to 25 psi.

D. For a "like new" appearance, wash the plastic blower housing and nozzle with soap and water, rinse with clear water and wipe dry. Do not use harsh abrasives or cleansers as they will dull the finish.

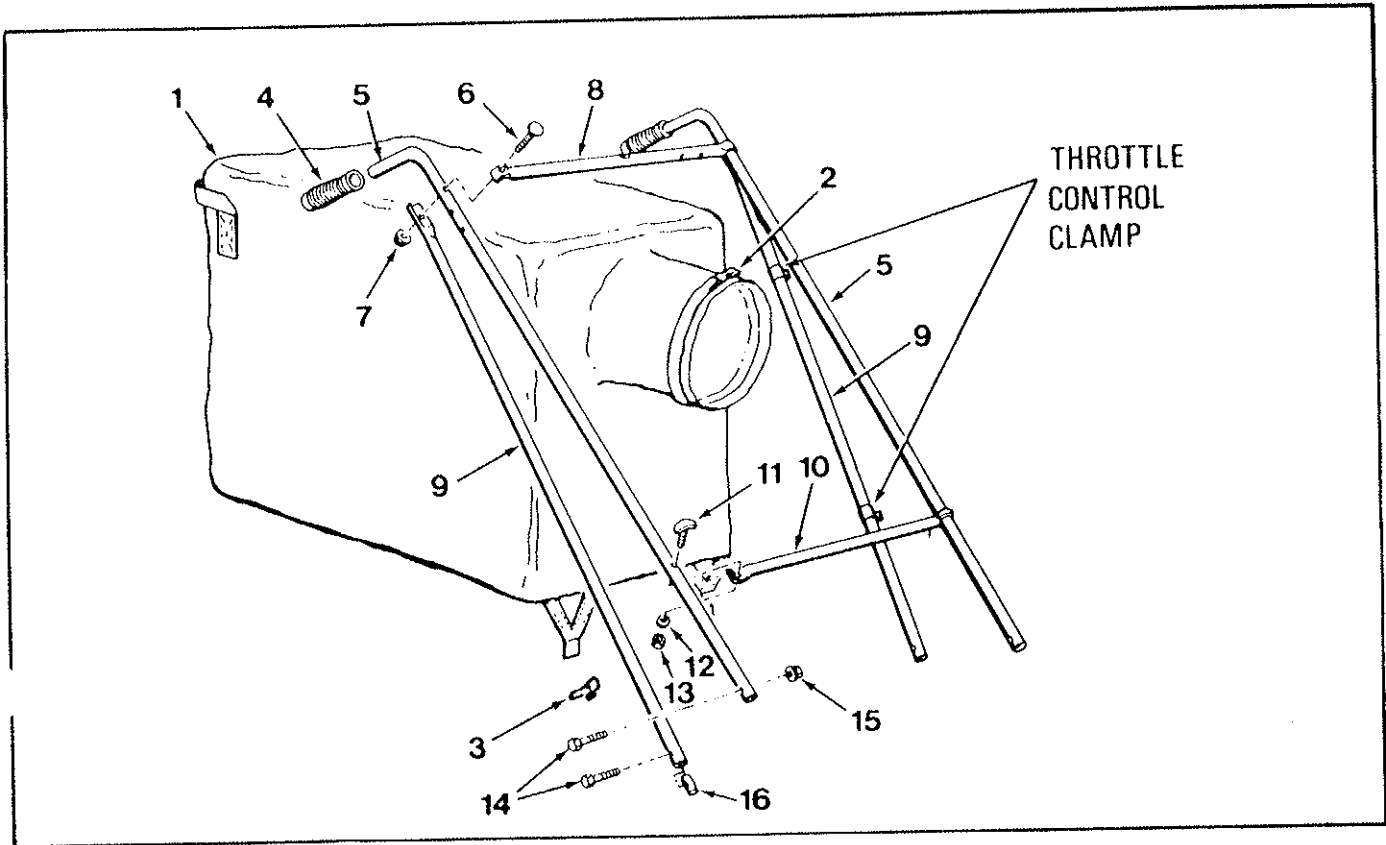
E. When using hose attachment, keep it away from engine exhaust system and other parts of the engine and electric motor that may be hot enough to burn plastic hose.

5. ENGINE POWERED

A. IMPORTANT: Read the engine manual CAREFULLY before operating the Vac-35.

B. KOHLER ENGINES. The stop switch is located on the the handle on the lower left side of the engine below the exhaust.

HANDLE ASSEMBLY



PARTS LIST

REF. NO.	PART NO.	DESCRIPTION	QTY. PER UNIT		REF. NO.	PART NO.	DESCRIPTION	QTY. PER UNIT	
			SP	SP-LP				SP	SP-LP
1	SA-733-D	Dust Bag Assembly	1	1	9	76-238-B	Truss Brace	2	2
2	63-274-A	Strap Assembly	1	1	10	76-173-B	Cross Brace, Lower	1	1
3	63-304-A	Bag Hook	2	2	11	69-416-24	Bolt, ¼-20x1½ Contour Hd.	2	2
	SA-536-C	Handle Assembly	1	1	12	935-416	Lock Washer, ¼ Spring	4	4
4	76-67-A	Handle Grip	2	2	13	335-416	Nut, ¼-20, Hex Plain	2	2
5	76-236-B	Handle	2	2	14	65-516-24	Bolt, 5/16-18x1½ Hex Hd.	4	4
6	65-416-24	Bolt, ¼-20x1½ Hex Hd.	2	2	15	365-516	Nut, 5/16-18, Hex Lock	4	4
7	364-416	Nut, ¼-20 Hex Lock	2	2	16	76-178-A	Tube Insert	4	4
8	76-170-B	Cross Brace, Upper	1	1					

OPTIONAL ACCESSORIES

NOTE: Accessory No. and Price List can be obtained from your local distributor.

1. BAG PLATFORM - Easily installed platform supports Bag when filled with heavy load.
2. 36" INTAKE HOUSING - Ideal for sweeping lighter weight debris and in larger, open areas.
3. 30" INTAKE HOUSING - Most popular size intake housing for sweeping most debris from hard surface or turf.
4. 24" INTAKE HOUSING - For sweeping in narrow aisles or in areas where heavier objects are to be collected.
5. DISCHARGE HOSE KIT - Attaches to exhaust port for loading debris into truck, container, etc.
6. HOSE ATTACHMENT 6" DIA. - 12-1/2 Ft. length overall, fits all Vac-35 models. Attaches to impeller housing for cleaning debris from hard to reach areas.
7. HOSE ATTACHMENT 4" DIA. - 15 Foot length overall, fits all Vac-35 models. Attaches to impeller housing for cleaning debris from hard to reach areas.
8. RUBBER ROLLER KIT - Extra-wide roller recommended primarily for turf sweeping. Height adjustable.
9. SCRAPER BRUSH KIT - Installs inside rear of intake housing. Loosens debris which adheres to surface. (Available for 30" intake housing only.)
10. MAGNETIC ROD KIT - Assembles to front of intake housing. Attracts metal objects. (Available for 30" intake housings only.)
11. OXY-CATALYST MUFFLER - Exhaust purifier greatly reduces Carbon Monoxide fumes in exhaust gases.
12. SPARK ARRESTOR KIT - Prevents exhausting of sparks from muffler. Safer and easily attaches to engine.
13. LO-TONE MUFFLER - Lowers exhaust tone level.
14. FLEECE-LINED FILTER COLLECTOR BAG - 11 Cu. Ft. launderable bag minimizes dust. 54" heavy duty zipper opening. Can be treated to increase fire resistance.
15. LUMITE^(R) BAG - 10 Cu. Ft. capacity, polypropylene material. Won't fade, shrink, mildew or rot. Use when gathering damp or wet material.
16. TURF WHEEL KIT - Wheel Kit with kwik individual wheel adjustment. Makes for easy operation over uneven surfaces.

HOW TO ORDER REPAIR PARTS

NOTE: When ordering service parts for any model Vac, follow the instructions listed below. By so doing, you will be assured of receiving the correct part in the shortest possible time.

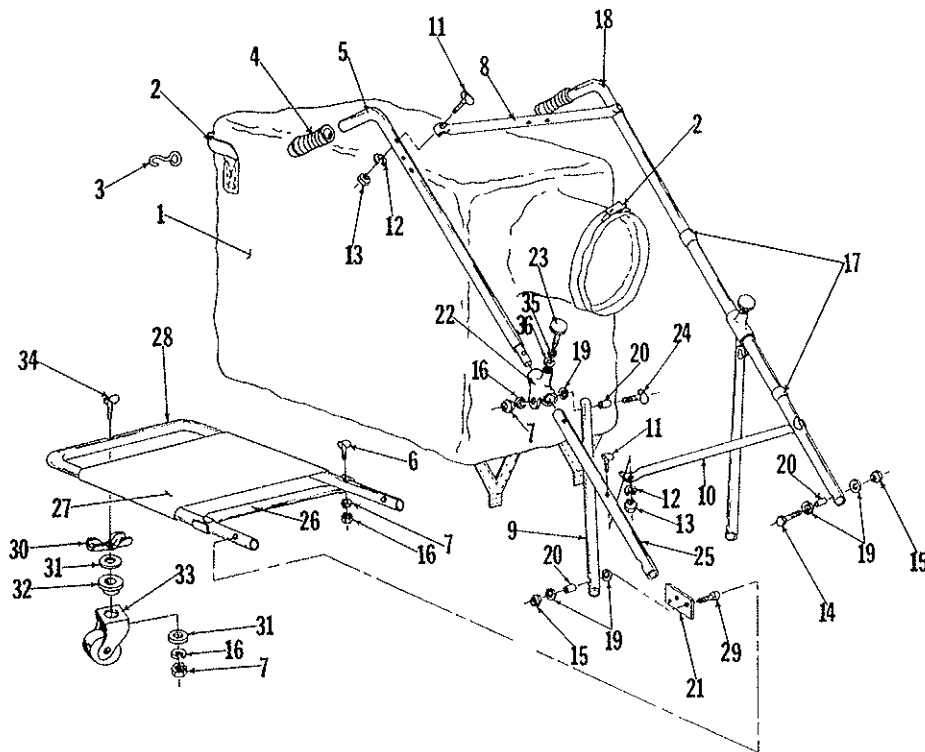
1. Give the model and serial number, found on fan housing.
2. Write the complete part number as well as the description of the part, and quantity of part required.
3. Whenever the terms "left and right, or L and R" are used herein, it should be

understood to mean from a position facing in direction of forward travel.

4. Give detailed shipping instructions, that is: Railroad station, county; whether shipment is to be by parcel post, United Parcel, air express, express, freight or truck.

NOTE: Parker Sweeper Co. is continually striving to improve its products. We must, therefore, reserve the right to make improvements, or changes, when it becomes practical and possible to do so, without incurring any obligation to make changes, or additions, to the equipment previously sold.

HANDLE ASSEMBLY



AF-280

PARTS LIST

Ref. No.	Part No.	Description	Qty.		Ref. No.	Part No.	Description	Qty.	
			Per Unit	SP SP-LP				Per Unit	SP SP-LP
1	SA-733-D	Dust Bag Assembly	1	1	19	945-516	Flatwasher 5/16	10	10
2	SA-794-B	Strap Assembly	1	1	20	80-238-A	Handle Inserts	6	6
3	63-304-A	Bag Hook	2	2	21	80-242-A	Bag Platform bracket	2	2
	SA-872-C	Handle Assembly	1	1	22	80-246-B	Pivot Bracket	2	2
4	76-67-A	Handle Grip	2	2	23	80-228-A	Knurled Torque Knob	2	2
5	80-186-C	Handle R.H.	1	1	24	69-516-28	Contour Bolt 5/16-18 x 1 3/4	2	2
6	69-416-20	Bolt, 1/4-20 x 1 1/4 Contour Hd.	2	2	25	80-239-C	Lower Handle	2	2
7	335-516	Nut, Hex Plain 5/16-18	3	3		SA-873-C	Bag Platform	1	1
8	76-170-B	Cross Brace, Upper	1	1	26	80-262-B	Cross Brace, Platform	1	1
9	80-240-C	Truss Brace	2	2	27	80-235-C	Bag Platform Sleeve	1	1
10	80-241-B	Cross Brace, Lower	1	1	28	80-234-C	Frame, Bag Platform	1	1
11	69-416-24	Bolt, 1/4-20 x 1 1/2 Contour Hd.	4	4	29	80-271-A	Pin Hinge	2	2
12	935-416	Lock Washer, 1/4 Spring	6	6	30	80-265-A	Block, Pivot Bearing	1	1
13	335-416	Nut, 1/4-20, Hex Plain	6	6	31	50-230-A	Washer - Special	2	2
14	65-516-24	Bolt, 5/16-18 x 1 1/2 Hex Hd.	4	4	32	78-130-A	Bearing, Caster	1	1
15	365-516	Nut, 5/16-18, Hex Lock	4	4	33	SA-578-B	Caster Assembly	1	1
16	935-516	Lockwasher 5/16 Spring	2	2	34	69-516-32	Bolt 5/16-18 x 2 Contour	1	1
17	80-276-A	Control Clamp, Snap	1	1	35	935-616	Split Lockwasher	2	2
18	80-275-C	Handle L.H.	1	1	36	936-616	Int. Tooth Lockwasher	2	2

The Handle assembly of the unit being shipped to you has been improved to include a 1" diameter, separable system for better shipment and storage. This system provides greater strength and easier gripping.

Replace the handle instructions used previously with these instructions which cover 1" handles.

Remove nose cone, spin pak, bag platform, handles and bag from box and lay to one side. Tip box on its side so unit will roll out. Refer to previous instructions on how to install nose cone, spin pak, and bag.

HANDLE ASSEMBLY

Loosen torque knob on lower handle so handle will move. Insert the upper handle (2) assembly into the lower handle assembly, making sure it's pushed in flush with lower handle. From behind the unit pull down on handles with both hands until pivot bracket (13) reaches end of lower handle. Screw torque knob in until tight. Handle should be locked in position.

ATTACHING CONTROL ROD

Put transmission in neutral gear (second from lowest lever position) by moving transmission lever (29) on transmission. Unit will move freely back and forth if unit is in neutral. Let shifter bracket lever rest against the neutral stop position.

Unit will move freely back and forth if unit is in neutral stop position. Tighten ¼-20 (48) nut holding bracket in the set position, attach speed control rod (19) to the transmission lever (29) at transmission. Install flat washer, then insert hairpin. Shift through the gears and back to neutral stop; unit should move freely back and forth. If not, go through the above procedure again.

BAG PLATFORM ASSEMBLY

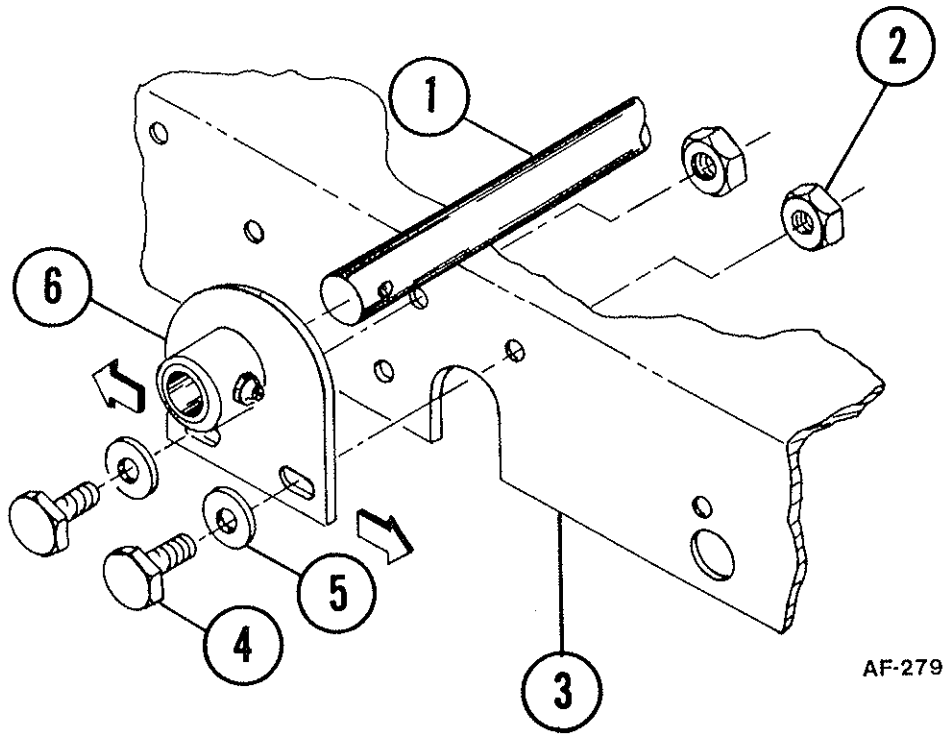
Bag platform hooks on the head of the pivot bolt (29) are on both sides at open end of platform. Bag platform should stay securely in place on pin hinge while sweeping.

NOTE: To order replacement parts for units with 1" diameter handles, be sure to use Model No. PV-8008-AK-SP parts list.

CHAIN ADJUSTMENT, DIFFERENTIAL

To adjust chain set chassis upon 2" x 4" or equivalent. At the ends of the axle remove cotter pin, clevis pin and pull wheels off the axle. The axle bearings are not accessible for adjustment. With 5/16 wrench loosen the nuts holding the bearings on both sides of the machine.

To tighten chain, push the axle forward. Make sure that the bearings are moved forward the same amount on both sides. The same amount of the slot should be visible on the bearings on both sides. Tighten the nuts with a wrench. Slide the wheels onto the axles and reinsert the clevis and cotter pin. If chain needs to be loosened repeat same procedure only pulling axle back just slightly.



AF-279

PARTS LIST

Ref. No.	Quan.	Part No.	Description
1	1	SA-459-B	Differential Assy.
2	4	365-616	Nut, 3/8-16 Hex. Lock
3	1	74-99-F	Chassis
4	4	65-616-16	Bolt Hex. Hd., 3/8-18 x 1
5	4	945-616	Washer, Flat 3/8
6	2	SA-817-B	Bering Assembly

C. SERVICING AND OPERATING INSTRUCTIONS. Refer to Engine Manufacturers Service Manual. Careful attention to care of air cleaner and crankcase lubrication instructions will insure longer engine life. KEEP ENGINE CLEAN.

CAUTION: When refueling engine care should be taken not to spill fuel on hot engine. This could cause the fuel to ignite.

D. SPARK ARRESTOR MUFFLER. The drain plugs have been provided for the draining of condensation which may accumulate in the muffler. Check regularly.

E. OXY-CATALYST MUFFLER. When using the Oxy-Catalyst Muffler, USE UNLEADED FUEL ONLY. Leaded fuel will shorten the life of the catalyst, a chemical that reacts continuously with the exhaust gases to render them harmless. To be effective and start the reaction, the exhaust gas temperatures must be brought up to 500°F. The catalyst will become red hot.

(1) To determine the effectiveness of the catalyst it is necessary to measure the carbon monoxide (CO) concentrations in the exhaust gases. This can be done with a Gas Hazard Indicator. One source of this equipment is Bacharach Industrial Instrument Co., 625 Alpha Drive, Pittsburgh, Pa. 15238.

(2) If the catalyst deteriorates to the point where contaminants are not at satisfactory levels, it should be replaced.

6. LIQUID PROPANE FUEL. Available only on Kohler Engine. When a Vac-35 is equipped for liquid propane fuel, a slightly different starting technique is required. Follow steps F through N to start LP engine.

CAUTION: When installing fuel tanks, new or refills, be sure they comply with the following specifications:

A. ICC-4BA240. W.P. 240 PSI.

B. Mounted Horizontally—vapor withdrawal.

C. 14# Propane 8" dia. collar.

D. 20# Propane 10" dia. collar.

E. These specifications are also printed on the fuel tank support.

IMPORTANT: Check your local, state, and federal regulations when using liquid propane fuel to be sure you comply with all requirements for the conditions covering its use.

F. Open fuel line valve at tank.

G. Set throttle in full open position.

H. Pull starter rewind cable 3 or 4 times. This will open automatic shut-off valve allowing gas to enter and start engine.

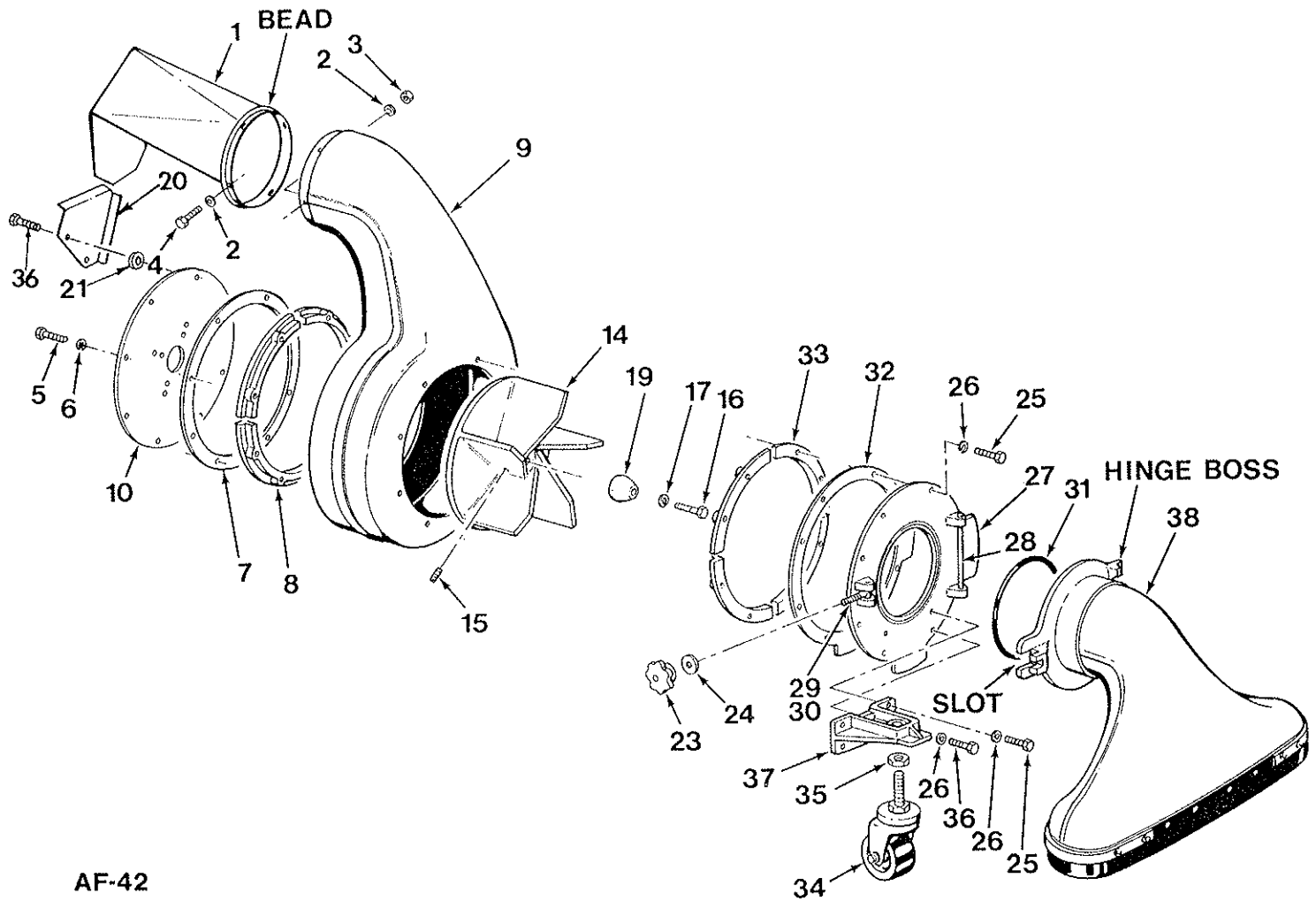
K. If engine fails to start, carburetor may need adjusting. Turn in main fuel jet until it is closed. Back out 1-¼ turns. This should be the position to allow the engine to start. After engine has been warmed up, adjust main jet for final running position by turning slowly in either direction until the engine performance is satisfactory.

L. If no success, check tank for fuel and carburetor. Check ignition and spark plug. Repeat above operations if necessary.

M. When stopping engine, shut off fuel at tank and run dry. This removes load from valves and regulators and lengthens their life. Also, this reduces danger from gas leakage while engine is not used. This procedure is mandatory under National Fire Protection Assoc. Document 58, "Storage and Handling Liquid Petroleum Gases, 1979".

N. Extra filled tanks should be stored on steel rack with tank horizontal and arrow and relief valve up.

HOUSING UNIT ASSEMBLY



AF-42

PARTS LIST

Ref. No.	Part No.	Description	Quantity Per Unit		Ref. No.	Part No.	Description	Quantity Per Unit	
			SP	SP-LP				SP	SP-LP
1	68-308-B	Spin Pak, Deflector Weld.	1	1	24	945-816	Flat Washer, 1/2 SAE	1	1
2	945-416	Flat Washer, 1/4 SAE	8	8	25	65-416-16	Bolt, 1/4-20 x 1, Hex Head	8	8
3	364-416	Nut 1/4-20, Hex Hd., Lock, Thin	4	4	26	935-416	Lock Washer, 1/4 Spring	10	10
4	65-416-10	Bolt, 1/4-20 x 3/8, Hex Hd.	4	4	27	63-191-D	Front Cover	1	1
5	65-416-16	Bolt, 1/4-20 x 1 Hex Hd.	4	4	28	63-194-A	Hinge Pin	1	1
6	935-416	Lock Washer, 1/4 Spring	8	8	29	63-192-A	Pivot Bolt	1	1
7	62-187-C	Rubber Gasket	1	1	30	63-193-A	Roll Pin, 0.264 x 1 3/4	1	1
8	64-78-C	Anti-Wrap Segment	4	4	31	63-190-A	O-Ring, Gasket	1	1
9	70-103-F	Housing Assembly	1	1	32	75-03-C	Gasket, Front	1	1
10	73-430-C	Back Cover	1	1	33	64-78-C	Anti-Wrap Segment	4	4
14	72-175-D	Fan Wheel	1	1	34	64-71-A	Caster Stem Type	1	1
15	564-516-16	Setscrew	1	1	35	340-1216	Nut, 3/4-10, Hex Hd. Jam	1	1
16	65-39-A	Bolt, 7/16-20 x 2 1/2, Hex Hd.	1	1	36	65-416-20	Bolt, 1/4-20 x 1 1/4, Hex Hd.	4	4
17	93 -716	Lock Washer, 7/16	1	1	37	66-430-C	Caster Bracket	1	1
19	73-119-A	Fan Retainer	1	1	38	MA-113-D	Intake Housing, 24"	*	*
20	72-241-B	Heat Shield	1	1	38	MA-251-D	Intake Housing, 30"	*	*
21	54-227-A	Spacer	2	2	38	MA-120-D	Intake Housing, 36"	*	*
23	80-29-A	Adjusting Knob	1	1					

*Purchased separate, optional accessory

CHASSIS & DRIVE ASSEMBLY

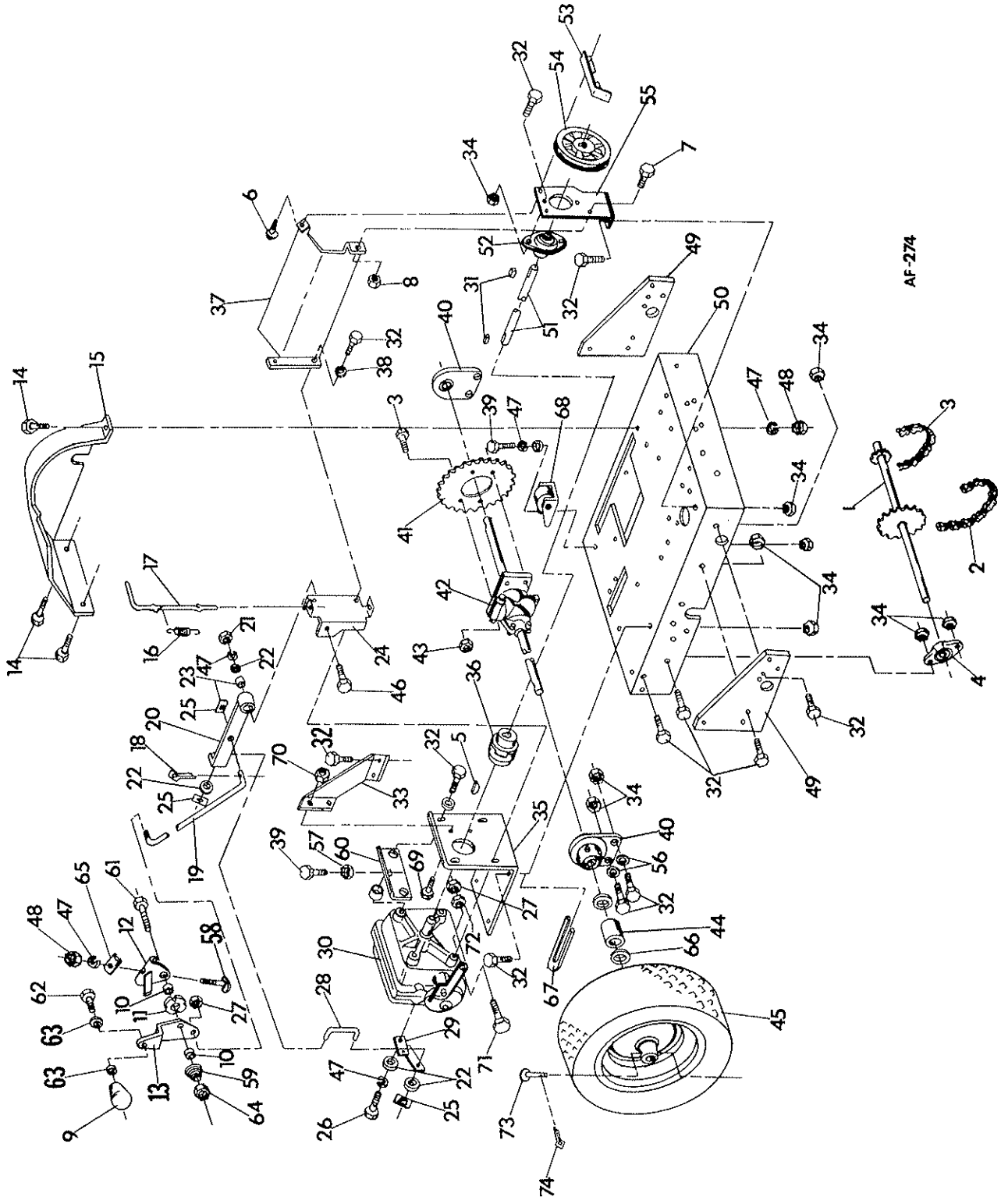
PARTS LIST

Ref. No.	Part No.	Qty. Per Unit	Description	Ref. No.	Part No.	Qty. Per Unit	Description
1	80-176-B	1	Jack Shaft Weldment	41	74-100-C	1	Sprocket Differential, 40 Teech
2	74-117-A	1	Chain, Roller #41-32p	42	SA-459-B	1	Differential Assy.
3	74-118-A	1	Chain, Roller #41-50p	43	364-516	4	Nut, 5/16-18, Hex Lock Thin
4	74-116-A	2	Bearing Assy. Side Flange	44	74-168-A	2	Wheel Spacer
5	280-09	1	#9 Woodruff Key Supplied	45	68-310-B	2	Wheel Assy.
6	530-7-6	2	Screw #7 x 3/8 Type A Sheet Metal		68-311-B	2	Wheel
7	515-10-6	1	Screw #10 x 24 x 3/8 Rd. Hd.		68-312-A	2	Tire 5.30/4.50x6
8	365-10	1	Nut #10 x 24 Hex Lock		68-313-A	2	Valve Stem
9	75-79-A	1	Shifter Knob	46	65-416-24	1	Bolt, 1/4-20 x 1 1/2 Hex Hd.
10	54-227-A	2	Spacer	47	935-416	5	Lockwasher 5/16 Spring
11	68-28-A	1	Cupped Washer	48	335-416	4	Nut, 1/4-20 Hex Plain
12	SA-852-A	1	Stop & Bracket Weldment	49	73-362-C	2	Bracket Handle
13	70-67-A	1	Shift Lever	50	74-99-F	1	Chassis
14	65-416-8	3	Bolt 1/4-20 x 1/2 Hex Hd.	51	74-88-A	1	Drive Shaft
15	80-206-D	1	Chain Guard	52	66-41-A	1	Seal Master Bearing
16	74-167-A	1	Spring, Brake	53	75-94-B	1	Belt Guard
17	74-96-A	1	Brake Lever	54	74-86-A	1	Sheave, Drive
18	57-110-A	1	Hair Pin	55	74-87-C	1	Bearing Bracket
19	80-260-B	1	Speed Control Rod	56	945-516	7	Washer 5/16 Flat
20	80-254-A	1	Control Arm Assy.	57	335-516	1	Nut, 5/16 Hex Plain
21	365-416	1	Nut, 1/4-20 Hex Lock	58	69-416-24	1	Bolt 1/4-20 x 1 1/2 Contour Hd.
22	945-416	4	Washer 1/4 Flat	59	80-162-A	1	Shifter Spring
23	75-10-A	1	Spacer	60	80-227-A	1	Adjusting Plate Weldment
24	74-95-D	1	Shift Control Bracket	61	55-516-12	1	Screw
25	75-89-A	2	Speed Nut	62	65-416-8	1	Hex Bolt 1/4-20 x 1/2
26	60-416-10	1	Bolt, 1/4-28 x 3/8 Hex Hd.	63	945-416	2	Washer Plain
27	365-616	6	Nut, 3/8-16 Hex Lock	64	364-516	1	Locknut 5/16-18
28	80-225-A	1	Speed Control Link	65	80-181-A	1	Clamp
29	SA-851-B	1	Shifter Linkage Weldment	66	66-431-A	4	Washer
30	SA-857-A	1	Transmission	67	80-203-A	2	Bracket Spacer
31	48-227-A	2	Key, 3/16 Square	68	MA-434-B	1	Tensioner Chain
32	65-516-12	22	Bolt, 5/16-18 x 3/4 Hex Hd.	69	65-516-10	2	Bolt 5/16-18 x 3/8 Hex Hd.
33	74-94-B	1	Transmission Bracket Brace	70	364-516	2	Nut 5/16-18 Thin Hex Lock
34	365-516	18	Nut 5/16-18 Hex Lock	71	65-616-20	1	Bolt 3/8-16 Hex Hd.
35	74-93-C	1	Transmission Bracket	72	335-616	1	Nut 3/8-16 Hex Plain
36	74-114-A	1	Flexible Coupling	73	80-44-A	2	Clevis Pin
37	75-95-C	1	Shaft Guard	74	380-332-8	2	Cotter Pin
38	935-516	4	Lockwasher, 5/16 Spring	75	80-202-A	2	Spacer
39	65-516-16	6	Bolt, 5/16-18 x 1 Hex Hd.	76	65-616-16	4	Bolt 3/8-16-1 Hex Hd
40	SA-817-B	2	Bearing Assy. Modification	77	945-616	4	Washer 3/8 Flat

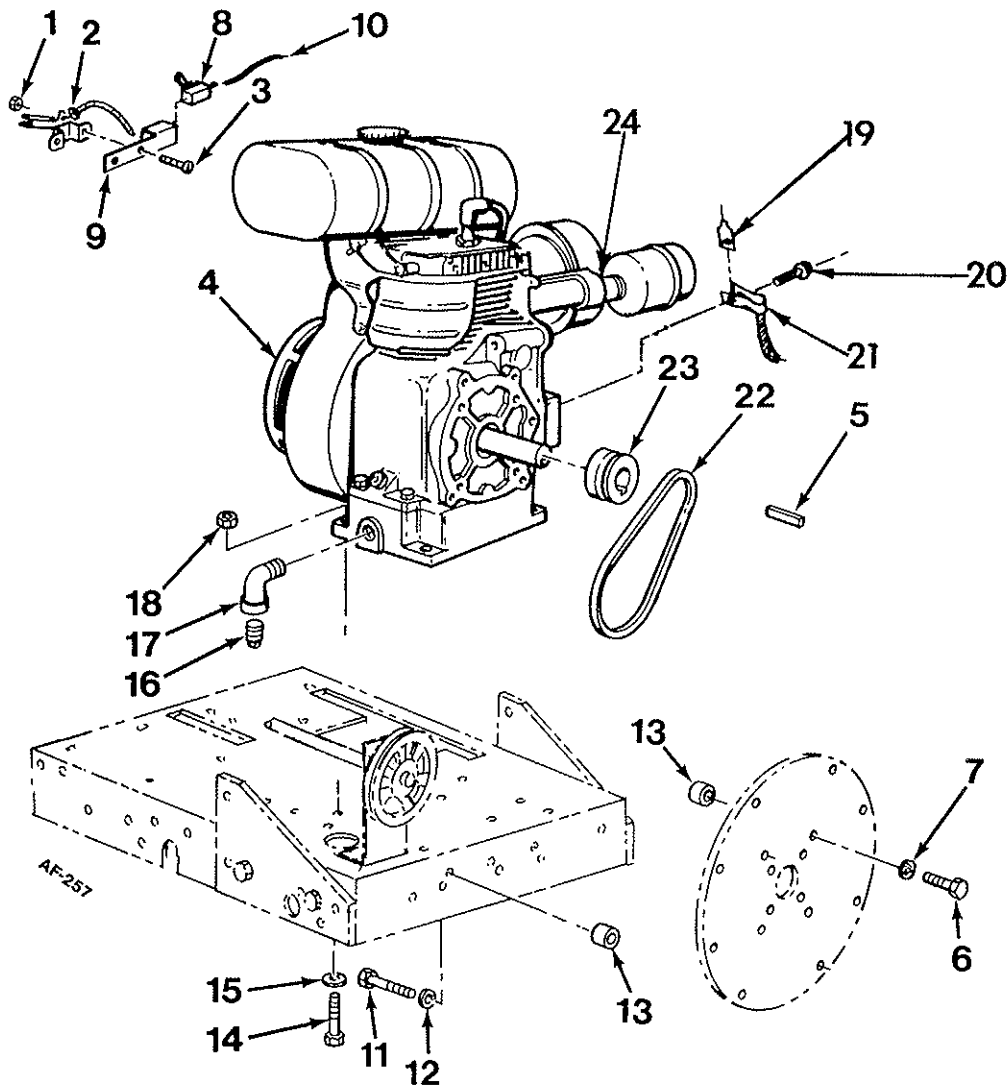
SECTION 11
MODEL NO. PV-8008K-SP
PV-8008K-SP-LP

REPAIR PARTS

CHASSIS & DRIVE ASSEMBLY



KOHLER ENGINE ASSEMBLY



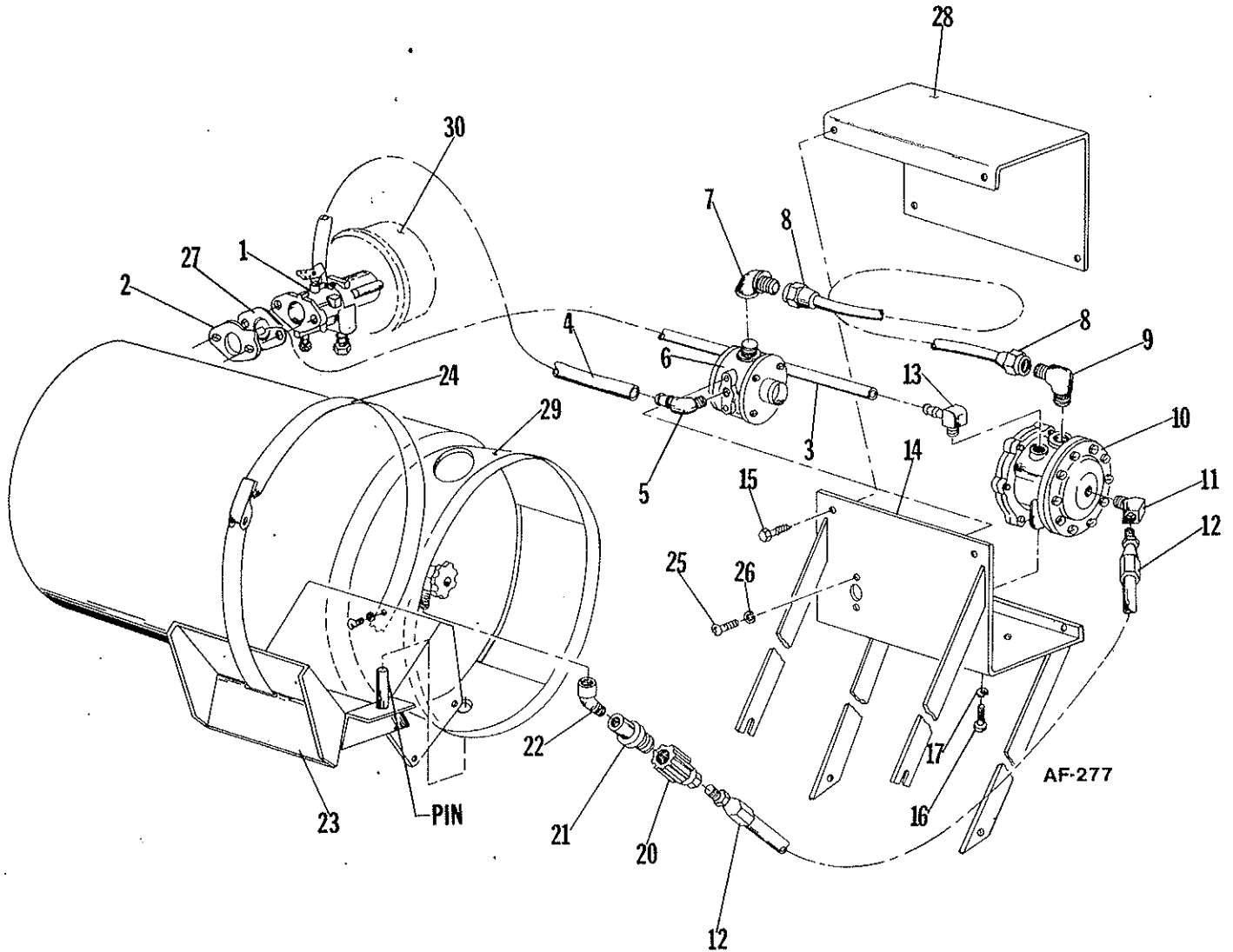
PARTS LIST

Ref. Part No. No.	Description	Quantity Per Unit		Ref. Part No. No.	Description	Quantity Per Unit			
		SP	SP-LP			SP	SP-LP		
1	365-10	Nut, 10-24 Hex Lock	2	2	14	65-616-20	Bolt, 3/8-16 x 1 1/4, Hex Hd.	4	4
2	68-393-A	Throttle Control Assembly	1	1	15	945-616	Flat Washer, 3/8	4	4
3	517-10-18	Screw, 10-24 x 1 1/8 Oval Hd.	2	2	16	**	Pipe Plug, Oil Drain	1	1
4	78-121-A	Engine, Kohler	1	-	17	57-81-A	Street Elbow 1/2 x 90°	1	1
4	78-122-A	Engine, Kohler LP	-	1	18	365-616	Nut, 3/8-16, Hex Hd., Lock	4	4
5	74-112-A	Fan Key 1/4 x 2 1/2	1	1	19	75-115-A	Throttle Cable Clip	1	1
6	65-616-24	Bolt, 3/8-16 x 1 1/2 Hex Hd.	4	4	20	515-10-8	Screw 10-24 x 1/2 Rd. Hd.	1	1
7	935-616	Lock Washer, 3/8 Spring	4	4	21	66-96-A	Speed Nut 10-24 U-Type	1	1
8	75-91-A	Switch, Safety Stop	1	1	22	73-417-A	V Belt, 3L-210	1	1
9	75-77-B	Bracket	1	1	23	74-119-A	Pulley, Engine	1	1
10	75-97-A	Lead, Wire Assembly, Elec.	1	1	24	67-68-A	Pipe Nipple 1 x 4	1	1
11	65-416-28	Bolt, 1/4-20 x 1 3/4 Hex Hd.	2	2	**	SUPPLIED WITH ENGINE			
			2	2					
13	73-414-A	Spacer, Back Cover	6	6					

REPAIR PARTS

SECTION 11
MODEL NO. PV-8008K-SP-LP

L.P. GAS GROUP



PARTS LIST

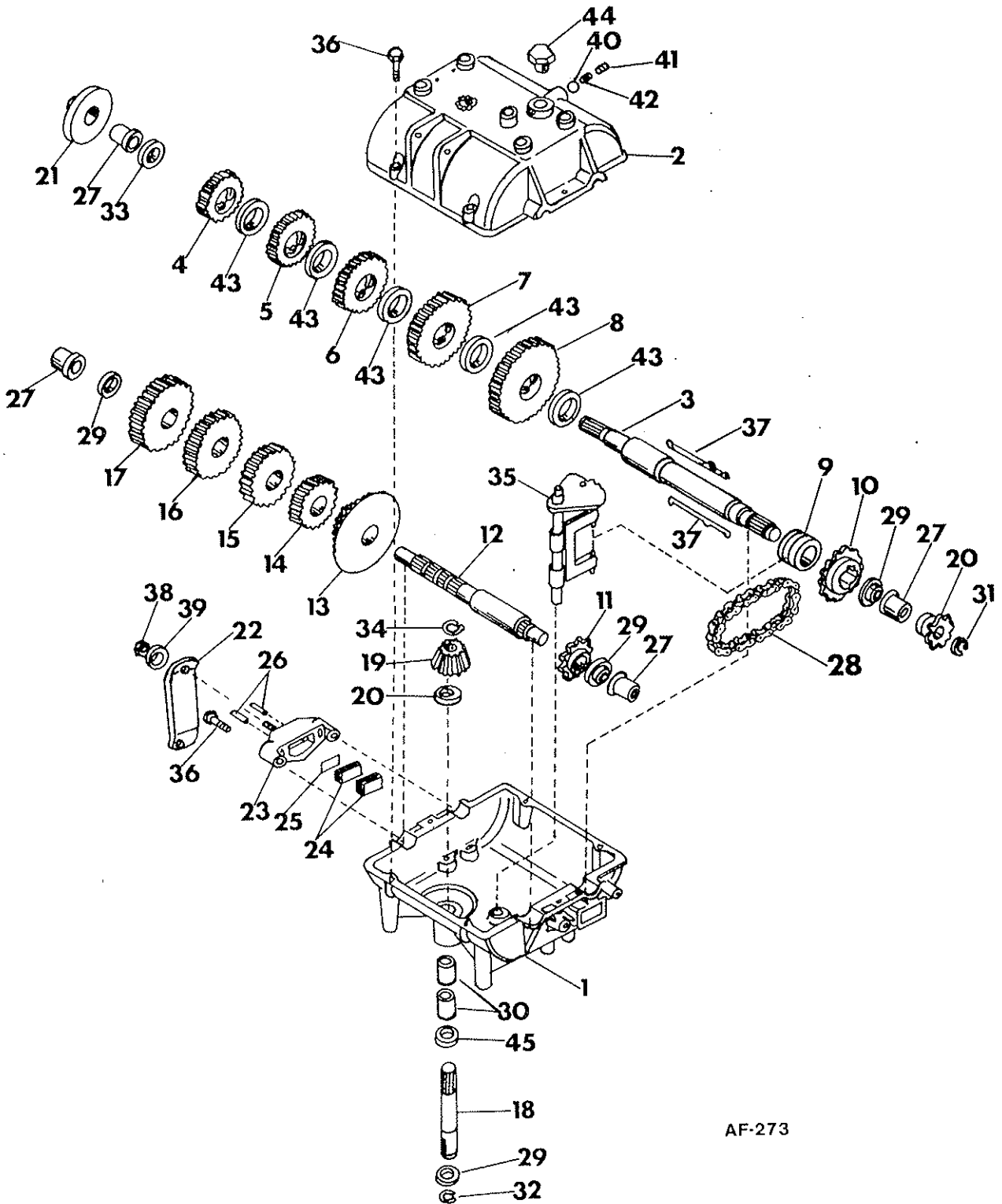
Ref. No.	Part No.	Description	Qty. Per Unit	Ref. No.	Part No.	Description	Qty. Per Unit
1	80-114-A	Carburetor	1	15	62-416-10	Bolt, Tapping, ¼-28 x ¾, Hex Hd.	4
2	80-121-A	Idler Plate	1	16	65-416-12	Bolt, ¼-20 x ¾, Hex Hd.	2
3	80-153-A	Line, Vacuum (Tube Only)	1	17	935-416	Lock Washer, ¼ Spring	2
4	80-154-A	Fuel Line, Carb	1	20	62-252-A	Connector, Safety, Female	1
5	75-19-A	Hose Barb, 90°	2	21	62-253-A	Connector, Safety, Male	1
6	74-145-A	Pressure Regulator	1	22	73-234-A	Street Elbow, ¾ x 45°	1
7	80-111-A	Elbow, Female	1	23	65-565-C	Bracket, Weldment, Tank	1
8	80-115-A	Fuel Line, Transfer Assembly	1	24	65-751-A	Band, Tank Holddown	1
9	80-113-A	Elbow, Male	1	25	515-8-8	Screw, 8-32 x ½, Rd. Hd.	2
10	72-228-A	Fuellock, Vacuum & Filter	1	26	935-8	Lock Washer, #8, Spring	2
11	75-18-A	Street Elbow, ¼ x 45°	1	27	*210223	Gasket	2
12	74-152-A	Fuel Line, Inlet Assembly	1	28	76-365	Cover, Regulator Mount	1
13	80-112-A	Elbow, Male (W/Nut & Sleeve)	1	29	67-69-B	Tank 14 Lb.	1
14	74-142-C	Bracket, Weldment	1	29	65-747-B	Tank 20 Lb.	1
				30	*231847	Air Cleaner	1

* Kohler Engines Part No.

PEERLESS TRANSMISSION

MODEL 750

Five Speed



AF-273

PEERLESS "750" TRANSMISSION

PARTS LIST

Ref. No.	Part No.	Qty. Per Unit	Description	Ref. No.	Part No.	Qty. Per Unit	Description
1	770061	1	Case, Transmission	24	790006	1	Pad, Brake
2	772070	1	Cover, Transmission	25	790007	2	Plate, Brake pad
3	776161	1	Shaft, Output & brake	26	786026	2	Pin, Dowel
4	778121A	1	Gear, Spur (20 teeth)	27	780105	4	Bushing, Flanged
5	778122	1	Gear, Spur (22 teeth)	28	786062	1	Chain, Roller(# 41 chain, 22 links)
6	778123	1	Gear, Spur (25 teeth)	29	780072	5	Race, Thrust
7	778124	1	Gear, Spur (30 teeth)	30	780086	2	Bearing, Needle
8	778125	1	Gear, Spur (35 teeth)	31	792072	1	Ring, Retaining
9	784266	1	Collar	32	792035	1	Ring, Retaining
10	786060	1	Sprocket (14 teeth)	33	780109	1	Washer
11	786061	1	Sprocket (10 teeth)	34	788040	1	Ring, Retaining
12	776134	1	Shaft, Counter	35	784267	1	Rod & Fork Assy. Shift
13	778109	1	Gear, Bevel (42 tooth & 15 tooth)	36	792073	8	Screw, Hex Hd. Taptite, ¼-20 x 1¼
14	778126A	1	Gear, Spur (20 teeth)	37	792089A	2	Key
15	778127A	1	Gear, Spur (25 teeth)	38	792075	2	Nut, Lock, 5/16-24
16	778128	1	Gear, Spur (28 teeth)	39	792076	1	Washer, Flat, 5/16
17	778129A	1	Gear, Spur (30 teeth)	40	792077	1	Ball, Steel 5/16
18	776135	1	Shaft, Input	41	792078	1	Screw, Set, ⅜-16 x ⅜
19	778113A	1	Bevel Pinion, Input	42	792079	1	Spring
20	786047	1	Sprocket (8 teeth)	43	780108	4	Washer, Thrush
21	790003	1	Disk, Brake	44	792074	1	Plug
22	790013	1	Lever, Brake	45	792001	1	Ring, Square Cut
23	790005	1	Holder, Brake pad				

Order all parts from your nearest PARKER PARTS DISTRIBUTORS. If unable to locate the part from your Parts Distributor forward your order to PARKER SWEEPER COMPANY for handling.

Part-Greer, Inc. 00 No. 24th St. BIRMINGHAM, ALA. 35203	Frost Company 483 Wildwood St. WOBURN, MASS. 01801	Schroeder Sales & Service, Inc. 1144 Harrison Ave. HARRISON, OH. 45030	Goldthwaite's of Houston, Inc. 220 Fariss HOUSTON, TEX. 77025
Lawn & Garden Supply Co. 222 N. 27th Ave. PHOENIX, ARIZ. 85017	Ideal Mower Sales, Inc. 811 Woodward Heights FERNDALE, MICH. 48220	Hershman's, Inc. 12477 Benner Rd. RITTMAN, OH. 44270	Goldthwaite's of Texas, Inc. 10751 Sentinel SAN ANTONIO, TEX. 78217
Lawn & Garden Supply Co. 455 So. Nogales Highway TUCSON, ARIZ. 85706	Lorenz Service Company 2500 So. Pennsylvania Ave. LANSING, MICH. 48220	PARKER SWEEPER COMPANY Post Office Box 1728 SPRINGFIELD, OH. 45501 Phone: 513-323-4901	A-1 Eng. & Mower Company 437 East 9th Street SALT LAKE CITY, UT. 84111
I.V. Carter Company 700 East 14th St. OAKLAND, CAL. 94606	R.L. Gould Company 3711 N. Lexington Ave. ST. PAUL, MINN. 55112	M.P.E. Sales, Inc. 25850 Chardon Rd. CLEVELAND, OH. 44143	Wetsel Seed Co. 941 N. Liberty HARRISONBURG, VA. 22801
Parzana Mower & Engine Parts, Inc. 8750 Oxnard St. PARZANA, CAL. 91356	Hance Distributors 420 Excelsior Ave., West HOPKINS, MINN. 55343	Tri-County Sales & Service 15 North West Ave. YOUNGSTOWN, OH. 44502	The Bentley Company 4126 Airport Way, South SEATTLE, WASH. 98108
Colorado Outdoor Equip., Inc. 627 West Evans DENVER, COLO. 80223	Gunthers Service & Supply 7320 Wornall Rd. KANSAS CITY, MO. 64114	Wait Sales Company 406-10 S. Peoria, Box 1015 TULSA, OKLA. 74120	Northwest Mower, Inc. 926 N. 165th Street SEATTLE, WASH. 98133
Zaun Equipment Co. 2330 Bruner Ln., S.E. FORT MEYERS, FLA. 33908	Henzler, Inc. 2015 Lemay Ferry Rd. ST. LOUIS, MO. 63125	Baltz & Son Co. 9817 East Burnside PORTLAND, ORE. 97216	Polson Company 625 Lander Street SEATTLE, WASH. 98134
Zaun Equipment Inc. 1741 Hamilton St. JACKSONVILLE, FLA. 32210	Port Huron Machinery & Supply 801 Que Street LINCOLN, NEB. 68508	Polson Company 208 S. E. Hawthorne Blvd. PORTLAND, ORE. 97214	Polson Company East 210 Montgomery St. SPOKANE, WASH. 99205
Florida Turf & Garden 7275 N.W. 64th St. MIAMI, FLA. 33166	Arett Sales Corp. 1152 Marlkrress Rd. CHERRY HILL, N.J. 08034	Lawn & Golf Supply Co. 647 Nutt Rd. PHOENIXVILLE, PA. 19460	R.L. Gould 344 Berger St. GREEN BAY, WIS. 54302
Zaun Equipment Inc. 1140 So. Rio Grande Ave. ORLANDO, FLA. 32806	George Smith & Sons, Inc. 322 Broadway BETHPAGE, L.I., N. Y. 11714	Gardenville Supply Co., Inc. Route 611 PIPERSVILLE, PA. 18947	Four Seasons Equipment, Inc. 7373 South 6th St. OAK CREEK, WIS. 53154
Zaun Equipment Inc. 3032 44th Avenue, North ST. PETERSBURG, FLA. 33714	Grasslands Equip. & Irrigation 892 Troy Schenectady Rd. LATHAM, N.Y. 12110	Bluemont Co. 11125 Frankstown Road PITTSBURGH, PA. 15235	Farm & Tiller Sales, Ltd. 1205 E. Hastings Street VANCOUVER, B.C., CANADA
Wislar & Company Inc. 4505 Mills Place, S.W. ATLANTA, GA. 30336	Arett Sales Corp. Sharot St. & Portman Rd. NEW ROCHELLE, N. Y. 10801	Niemeyer Corp. 1135 Phoenixville Pike, Box 531 WEST CHESTER, PA. 19380	Robertson Seed, Ltd. 9241 - 48 St. EDMONTON, ALBERTA, CANADA
Geo. A. Davis 5440 Northwest Highway CHICAGO, ILL. 60630	Henry W. O'Neil & Associates, Inc. 410 No. Goodman St. ROCHESTER, N.Y. 14609	Fidelity Sales Corp. 6331 Baum Dr. KNOXVILLE, TENN. 37919	Morin Equipment, Inc. 90 Rue D'Anvers Parc Industriel ST. AUGUSTIN, QUEBEC, CANADA GOA 3EO
Plante's Lawn Equip. Inc. 4 Grant St. NORTH AURORA, ILL. 60542	The Messinger Company, Inc. 374 Avery St. ROCHESTER, N.Y. 14606	Fidelity Sales Corp. 447 E. Market St. KINGSPORT, TENN. 37662	Morin Equipment, Inc. 270 Industrial Park Road LONGUEVIL, QUEBEC, CANADA
T.E. Booher & Sons 1009 West State St. ALBANY, IND. 47320	American Hdwe. & Equip. 3940 Greensboro St. CHARLOTTE, N.C. 28206	Fidelity Sales Corp. 6044 Lee Highway CHATTANOOGA, TENN. 37421	Duke Lawn Equipment 1184 Plains Road, East BURLINGTON, ONTARIO, CANADA
Bruce Engine, Inc. 1791 N. W. 86th St. DES MOINES, IA. 50322	E.J. Smith & Sons 4250 Golf Acres Dr. CHARLOTTE, N.C. 28266	Goldthwaite's of Dallas, Inc. 2700 Forest Lane Box 34660 DALLAS, TEX. 75234	
Morton B. Collins 300 Birnie Avenue SPRINGFIELD, MASS 31106	Hayward Distributing Co. 460 Neilston St. COLUMBUS, OH. 43215	Goldthwaites of Ft. Worth 1401 Foch St. FT. WORTH, TEX. 76107	