



Electronic Service Manuals

This electronic document is provided as a service to our customers. We do not create the contents of the information contained in this document. Should you have detailed questions pertaining to the information contained in this document, you may contact Michco, or the manufacturer which provided the original information in this electronic deliverable. Michco's only part in this electronic deliverable was the electronic assembly process. By providing this manual on line we are not guaranteeing parts availability.

You may contact Michco through the following methods:

Phone (517) 484-9312 or (800) 331-3339

2011 N. High St. -- Lansing, Michigan -- 48906

Fax: (517) 484-9836

Email: CustServe@Michco.com

Web site: www.Michco.Com

Parts Web site: www.FloorMachineParts.Com

Order Parts on Line at:

www.FloorMachineParts.Com

Directly to Parts & Service:

By Email: **Shop@Michco.com**

By Fax: (517) 702-2041

By Voice: Use numbers above.

Serving the Cleaning Industry Since 1922

Notice: All copyrighted material remains property of original owners, all trademarks are property of respective owners. Manuals are subject to Manufacturer's reproduction limitations. Originals or reproductions were provided by manufacturers through a request. We make no warranty as to the correctness of information provided in this document and you assume all risk. By placing these manuals on line we are not declaring our corporation to be an manufacturer authorized dealer or provider, please check our web site for authorized manufacturers we represent.

OWNERS GUIDE



VACUUM SWEEPER VAC-35 ENGINE and ELECTRIC POWERED

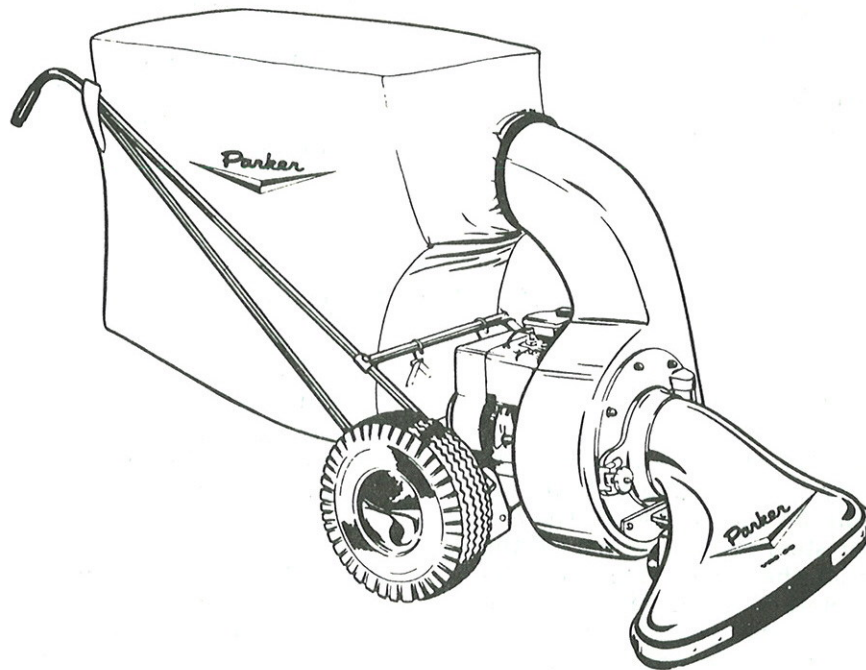
MODEL PV-7705

MODEL PV-7808-K

MODEL PV-7808-K-LP

MODEL PV-7702-E

MODEL PV-7702-EX



READ THESE INSTRUCTIONS BEFORE SETTING UP AND OPERATING MACHINE

NOTE: FOR OPERATION ON TURF OR OTHER UNPAVED SURFACES,
TURF WHEEL KIT MA-255 D, MUST BE INSTALLED IN PLACE OF CASTER.

PARKER SWEEPER COMPANY **Box 1728** **Springfield, Ohio 45501**

GENERAL INFORMATION

1. The handles are assembled to the frame and the fan housing parts are assembled in the same manner for all five models covered by this manual. Whenever a difference in instructions occurs, either a separate instruction or an "Explanation Note" will be given.

NOTE: The intake housing is purchased separately and is shipped in its own carton.

2. The Vac-35 is shipped in two cartons. No. 1 contains the Sweeper Unit, Filter Bag, Spin-Pak with hardware, Front Caster with hex nut and the following hardware packed with the engine throttle which is attached to the engine:

Qty.	Part No.	Description
2	76-179-A	Cable Clamps
2	515-8-8	#8-32 Rd. Hd. Machine Screw
2	365-8	#8-32 Hex Lock Nut
2	517-10-18	#10-24 x 1 Oval Hd. Machine Screw
2	365-10	#10-24 Hex Lock Nut

NOTE: On electric Vacs, a Cable Hook, Item 16, Fig. 11, with hardware will also be in No. 1 carton.

3. No. 2 carton contains the handles and hardware for assembling and attaching handles as follows:

Qty.	Part No.	Description
2	76-62-A	Red Handle Grip
4	76-178-A	Tube Insert
4	65-516-24	Bolt $\frac{5}{16}$ -18 x $1\frac{1}{2}$ Hex Hd.
2	65-416-24	Bolt $\frac{1}{4}$ -20 x $1\frac{1}{2}$ Hex Hd.
2	69-416-24	Bolt $\frac{1}{4}$ -20 x $1\frac{1}{2}$ Contour Hd.
4	365-516	Nut Hex Lock $\frac{5}{16}$ -18
2	364-416	Nut Hex Lock $\frac{1}{4}$ -20
2	335-416	Nut Hex Plain $\frac{1}{4}$ -20
2	935-416	Washer, Spring Lock $\frac{1}{4}$

4. Unpack cartons and check contents of hardware bags. If not correct, notify the factory to obtain parts needed. Do not discard any of the cartons or inner packing until machine is completely assembled.

5. Whenever the terms "Left and Right" or "L & R" are used herein, it should be understood to mean from a position facing in the direction of forward travel.

-Plate No. 215A-

ASSEMBLY INSTRUCTIONS

1. BASIC UNIT CARTON NO. 1

A. The caster assembly should be installed first to provide stability to the engine and housing assembly. See items 34 and 35, Fig. 8. The hex nut on the caster stem should be run all the way down. Thread the caster stem into the bracket casting, item 37, Fig. 8, until the threads are even with the top of the casting. See paragraph D on how to adjust height of intake housing.

B. SPIN-PAK Assemble the Spin-Pak to the Blower Housing by removing the four bolts and slipping the ring over the Housing neck. Line up the holes and insert four $\frac{1}{4}$ -20 x $\frac{5}{8}$ bolts. Assemble washers and nuts to bolts.

"DO NOT TIGHTEN." "CENTER UP" Spin-Pak and tighten top bolt. Press ring around the Housing on the sides and tighten the side bolts, finally tighten the bottom bolt.

C. The Intake Housing should be attached to the front of the Blower Housing by inserting the hinge boss behind the hinge rod on the Front Cover, item 27, Fig. 8. Next swing the Intake Housing, Ref. 38, Fig. 8, until the slot fits over the adjusting screw and can be locked in place by tightening knob, Ref. No. 23, Fig. 8.

D. Adjust the height of the intake housing in relation to the floor by loosening the jam nut

on the caster and threading the caster in or out of the bracket. When the desired height is determined, lock the caster in place by tightening the jam nut against the bracket. Normal floor clearance for intake housing is 3/4 to 1 1/4".

NOTE: If your sweeper is going to be used primarily for turf sweeping, the optional "wheel turf kit" should be installed on the unit in place of the caster.

2. HANDLE ASSEMBLY CARTON NO. 2

A. The next step in assembly is to install the handles. There are two sets of holes in the handle truss. Use the 1/4-20 x 1-1/2 hex head bolts to attach top crossbrace to the handle, See Fig. 1. Install the crossbrace with the throttle control holes to the left side. Place the bolt thru the top hole in handle truss for maximum handle height. (If lower position is more desirable use the second hole from the end of truss). Assemble the crossbrace and truss in the same hole location on each side. **DO NOT TIGHTEN BOLTS.**

B. Assemble the lower crossbrace to the bottom of the two handles using the 1/4-20 x 1-1/2 contour head bolts, 1/4 lock washers, and 1/4-20 hex nuts. **DO NOT TIGHTEN.**

C. Assemble the two trusses to bottom holes of the right and left handle and axle brackets, using 5/16-18 x 1-1/2 bolts, 5/16-18 lock hex nuts. Make sure a steel insert is in the end of each truss as shown when attached at point "C" Fig. 2. **DO NOT TIGHTEN.**

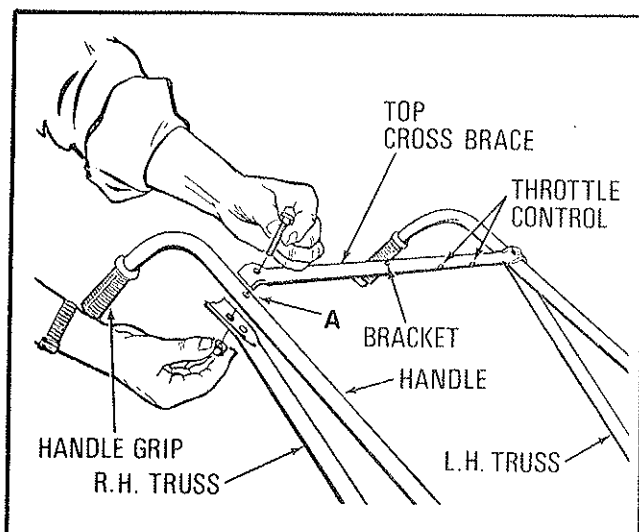


Figure 1. Top Cross Brace

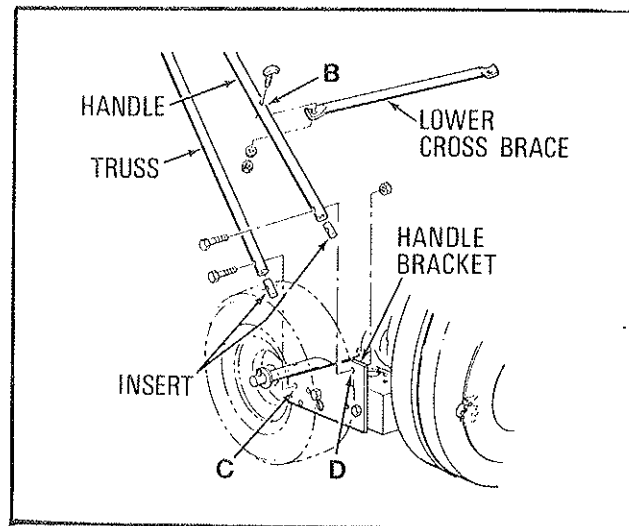


Figure 2. Assembly to Frame

D. Assemble the two handles to top holes of the right and left handle and axle brackets using 5/16-18 x 1-1/2 bolts, 5/16-18 lock hex nuts. Make sure a steel insert is in the end of each handle as shown when attached at point "D" Fig. 2. **DO NOT TIGHTEN.**

E. Tighten all the bolts and nuts. Bring nuts up to a "snug" position all the way around, check handle assembly for alignment and if OK, then give each a final tightening. If alignment is needed, be sure nuts are just loose enough in all the joints to permit movement between the holes and the bolts. This should be enough to result in correct alignment. Do not bend tubing to accomplish proper position.

Be sure that the bolts are pulled down tight enough for approximately one bolt thread to extend thru the nut. It may be necessary to collapse the tube SLIGHTLY to accomplish this.

F. Slide the handle grips onto the handles. See Fig. 1.

3. ENGINE POWERED MODELS ASSEMBLY WITH GASOLINE AND LIQUID PROPANE FUEL.

WARNING: The engine contains NO OIL. Read the Engine Instruction Manual carefully before operating the Vac-35. Be sure you know how to start and stop the Engine before proceeding further. Do not start the engine until all assembly is finished.

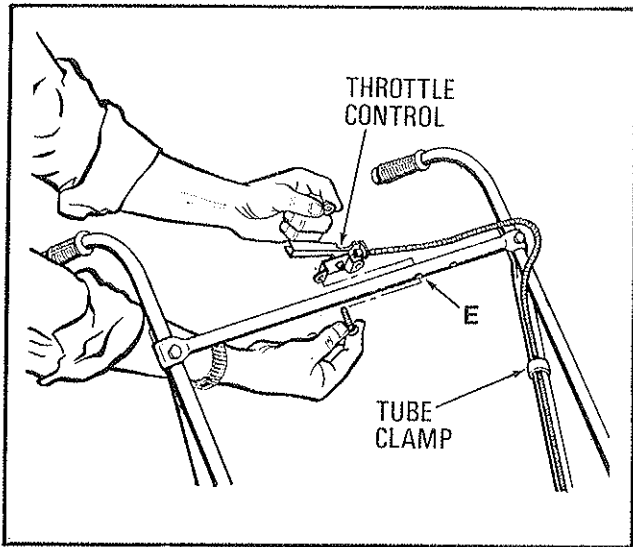


Figure 3. Throttle Control

A. The next step is to install the Throttle. Remove the throttle control assembly and small bag of parts from the large kraft bag attached to the engine.

B. Unroll the throttle cable and run it up the left hand truss brace and over the top of the handle. Avoid placing too sharp a bend in the cable.

C. Attach the cable to the left hand truss using the two clamps, nuts, and bolts from the small bag of parts. (See Fig. 7 for location of throttle clamps.)

NOTE: If the cable is too short, remove the top crossbrace and turn it around, then fit the throttle lever onto the crossbrace.

D. Attach the throttle control lever bracket to the rear side of the top cross bar using the two oval head screws and two nuts from the small bag of parts. See Fig. 3.

E. If your Vac-35 has been purchased with Liquid Propane Fuel then you must have a Vapor Withdrawal Fuel Tank. Your unit is designed to take either a 14 pound or 20 pound Fuel Tank. These are not furnished as standard equipment. They can be ordered separately from Parker Sweeper and Item 22 Fig. 12 will be included. If obtained from your local LP Fuel supplier, he will need to install this street Ell which always remains with the tank.

F. To install, place the fuel tank in the cradle shown as item 23 in Fig. 12. The hold-down strap Item 24 will fit either size tank. When installing, the small hole in the tank collar must fit over the vertical pin to meet Government Regulations for LP Fuel Tanks. This orients the emergency relief valve so that any fuel discharged due to excess tank pressure will be directed UP.

G. After Tank is secured, remove the male half, item 21, Fig. 12, from the quick disconnect coupling and hose assembly; screw it onto item 22, tank street Ell.

H. Attach the hose assembly to the tank by screwing the quick disconnect coupling, item 20 to item 21.

I. See Operating instructions for procedure to be used in starting Engine with LP Fuel.

NOTE: The following instructions are prepared to enable the operator or mechanic to make the initial assembly or to replace the engine throttles and correct any malfunction of the throttle control assembly that may occur.

Make a thorough inspection to see that all fastenings are tight and all parts are properly installed. DO NOT start engine without Intake and Filter Bag in place. See page 8 for installing Filter Bag and page 2 for installing intake.

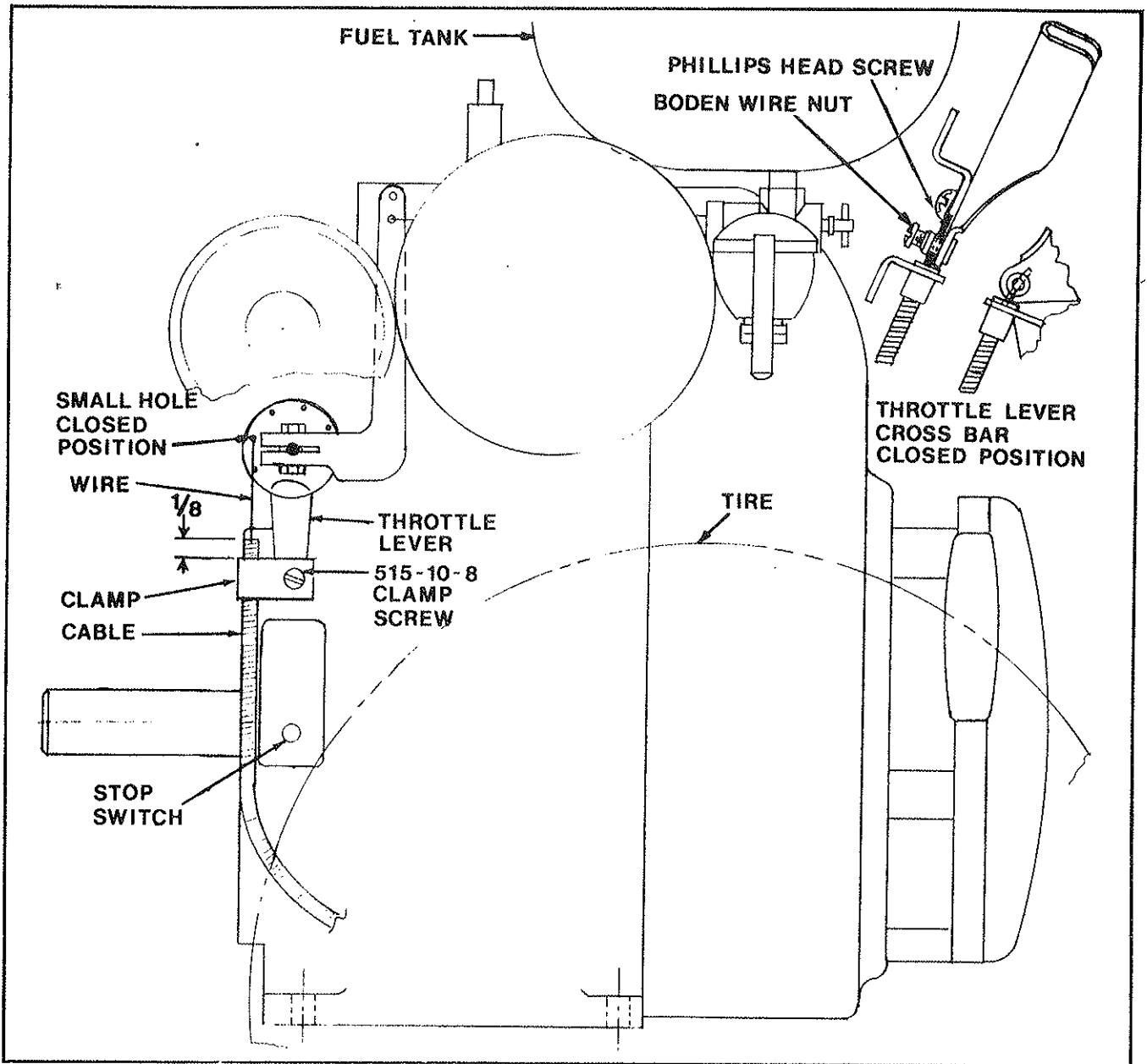


Figure 4. Kohler Engine Throttle Hook-up

4. THROTTLE HOOK-UP KOHLER ENGINE

A. Insert end of wire into small hole in throttle control lever on cross bar. The cable is attached to the throttle control lever bracket. At the lower end of throttle assembly, insert end of wire into small hole in throttle lever on engine as shown in figure 4.

B. Loosen clamp screw and slip cable thru clamp on the left side of the screw.

C. With about 1/8 inch of cable extending beyond clamp, tighten screw.

D. Check travel of throttle lever and adjust as follows. With the throttle lever on engine in the closed position, the lever on handle should be as shown in Fig. 4. Next, tighten boden wire nut on throttle lever to prevent slipping on throttle wire. Throttle assembly is now ready to test.

NOTE: If throttle does not stay open due to vibration of machine, tighten friction screw on lever assembly on cross bar until there is sufficient friction to hold throttle open.

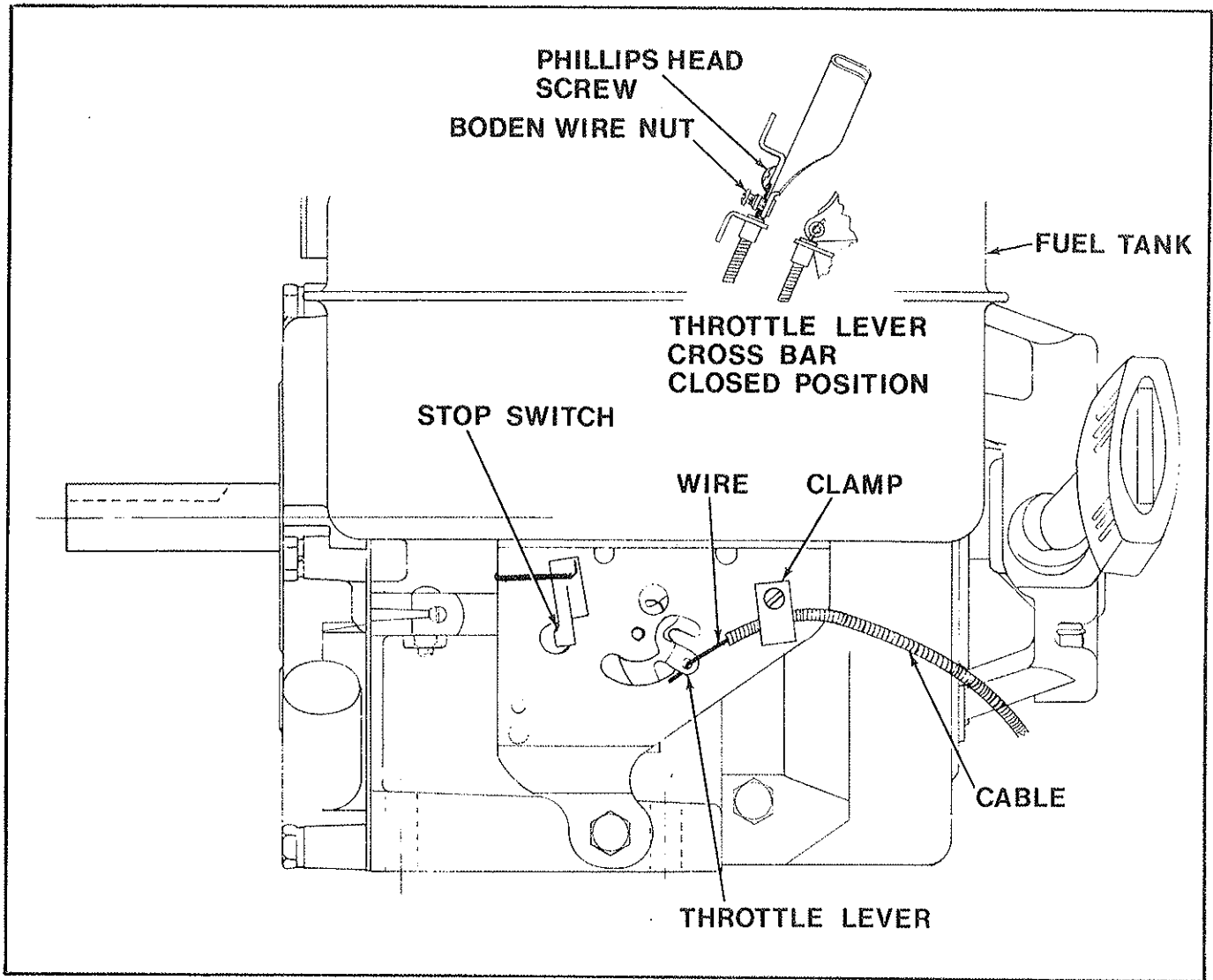


Figure 5. Briggs and Stratton Throttle Hook-up

5. THROTTLE HOOK-UP BRIGGS AND STRATTON ENGINE

A. Insert end of wire into small hole in throttle control lever on cross bar. The cable is attached to the throttle control lever bracket. At the lower end of throttle assembly, insert end of wire into small hole in throttle lever on engine as shown in figure 5.

B. Loosen clamp screw and slip cable under clamp.

C. With about 1/2 inch of cable past clamp, tighten screw.

D. Throttle is now ready to test.

NOTE: If throttle does not stay open due to vibration of machine, tighten friction screw on lever assembly on cross bar until there is sufficient friction to hold throttle open.

REFER TO THE ENGINE MANUAL AND FILL THE CRANKCASE WITH THE PROPER TYPE AND AMOUNT OF OIL. THE CRANKCASE AND FUEL TANK ARE SHIPPED DRY FROM THE FACTORY.

IMPORTANT

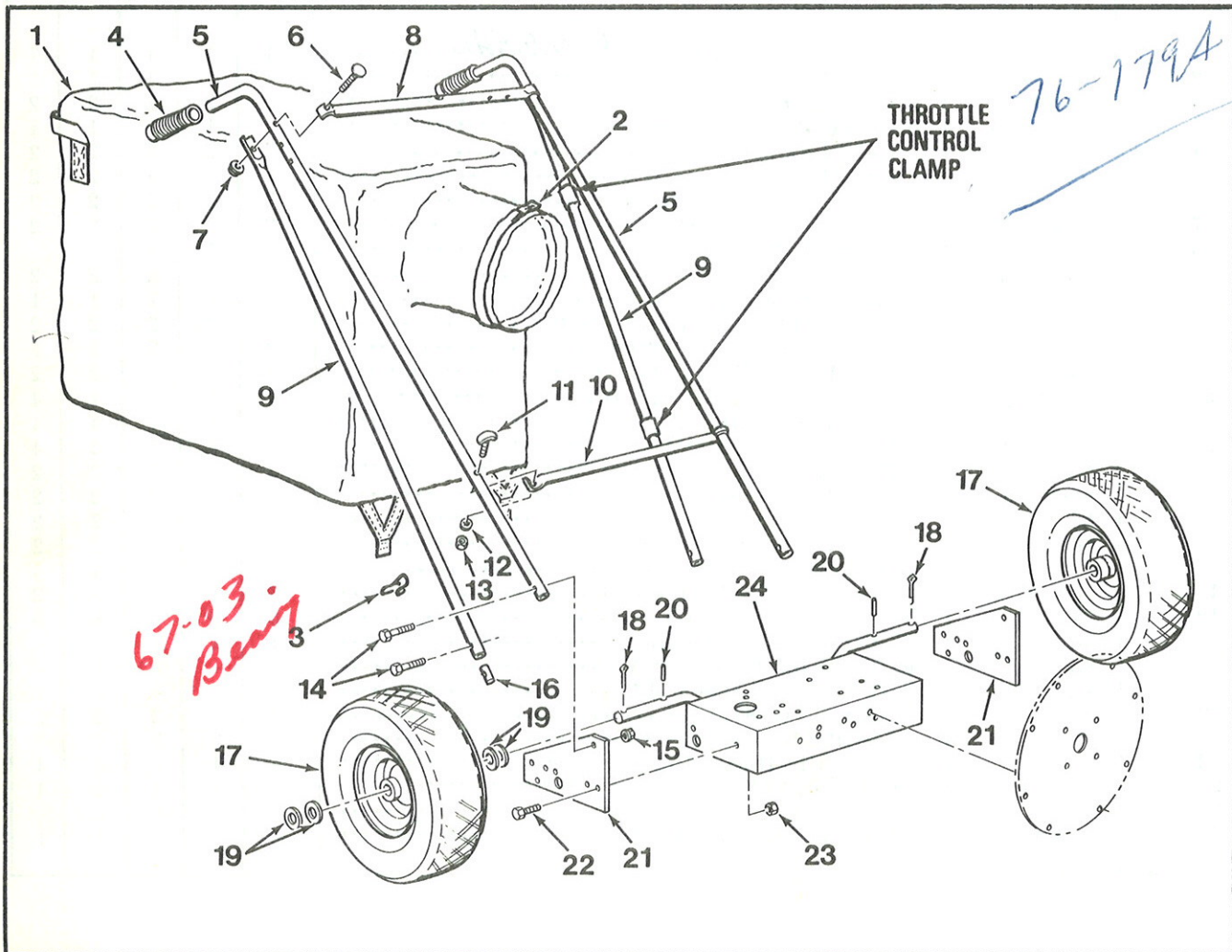
**ALWAYS GIVE
THE FOLLOWING INFORMATION
WHEN ORDERING REPAIR PARTS:**

1. PART NUMBER (Not Ref. No.)
2. QUANTITY NEEDED
3. DESCRIPTION OF PART
4. MODEL NO. of VAC-35

If unable to obtain parts locally, write down
above information and send to:

**PARKER SWEEPER CO.,
BOX 1728
SPRINGFIELD, OHIO 45501**

Your unit is right hand (R.H.) or left hand (L.H.)
as you stand behind it.



Handle Assembly

VACUUM SWEEPER

VAC-35 ENGINE and ELECTRIC POWERED

MODEL PV-7705
MODEL PV-7706
MODEL PV-7706-LP

MODEL PV-7702 E
MODEL PV-7702-EX

INDEX NO.	PART NO.	DESCRIPTION					
			PV-7705	PV-7706	PV-7706-LP	PV-7702-E	PV-7702-EX
1	64-77F	. DUST BAG ASSEMBLY <i>R/W.M.A. 419-1</i>	1	1	1	1	1
2	63-274-A	. STRAP ASSEMBLY	1	1	1	1	1
3	63-304-A	. BAG HOOK	2	2	2	2	2
	SA-408-D	HANDLE ASSEMBLY	1	1	1	1	1
4	76-67-A	. HANDLE GRIP - RED	2	2	2	2	2
5	76-237-B	. HANDLE	2	2	2	2	2
6	65-416-24	. BOLT, 1/4-20x 1-1/2 HEX HD	2	2	2	2	2
7	364-416	. NUT, 1/4-20 HEX LOCK	2	2	2	2	2
8	76-170-B	. CROSS BRACE, UPPER	1	1	1	1	1
9	76-238-B	. TRUSS BRACE	2	2	2	2	2
10	76-173-B	. CROSS BRACE, LOWER	1	1	1	1	1
11	69-416-24	. BOLT, 1/4-20x 1-1/2 CONTOUR HD	2	2	2	2	2
12	935-416	. LOCK WASHER, 1/4 SPRING	2	2	2	2	2
13	335-416	. NUT, 1/4-20, HEX PLAIN	2	2	2	2	2
14	65-516-24	. BOLT, 5/16-18x1-1/2 HEX HD	4	4	4	4	4
15	365-516	. NUT, 5/16-18, HEX LOCK	4	4	4	4	4
16	76-178-A	. TUBE INSERT	4	4	4	4	4
17	SA-231-B	WHEEL ASSEMBLY	2	2	2	2	2
	68-447-B	. WHEEL	2	2	2	2	2
	68-312-A	. TIRE, 5.30/4.60x6	2	2	2	2	2
	68-313-A	. VALVE	2	2	2	2	2
	67-03-A	. BEARING	4	4	4	4	4
18	380-432-20	COTTER PIN, 1/8x1-1/4	2	2	2	2	2
19	945-1216	FLAT WASHER, 3/4	8	8	8	8	8
	SA-382-C	ENGINE MOUNT ASSEMBLY	1	1	1	-	-
	SA-422-D	MOTOR MOUNT ASSEMBLY	-	-	-	1	-
	SA-423-D	MOTOR MOUNT ASSEMBLY	-	-	-	-	1
20	67-521-A	. ROLL PIN 0.187x1-1/8	2	2	2	2	2
21	73-362-C	. HANDLE BRACKET	2	2	2	2	2
22	65-516-12	. BOLT, 5/16-18x3/4, HEX HD	4	4	4	4	4
23	365-516	. NUT, 5/16-18 HEX LOCK	4	4	4	4	4
24	73-111-C	. CHASSIS WELDMENT	1	1	1	-	-
24	73-408-C	. CHASSIS WELDMENT	-	-	-	1	1

IMPORTANT

**ALWAYS GIVE
THE FOLLOWING INFORMATION
WHEN ORDERING REPAIR PARTS:**

1. PART NUMBER (Not Ref. No.)
2. QUANTITY NEEDED
3. DESCRIPTION OF PART
4. MODEL NO. of VAC-35

If unable to obtain parts locally, write down
above information and send to:

**PARKER SWEEPER CO.,
BOX 1728
SPRINGFIELD, OHIO 45501**

Your unit is right hand (R.H.) or left hand (L.H.)
as you stand behind it.

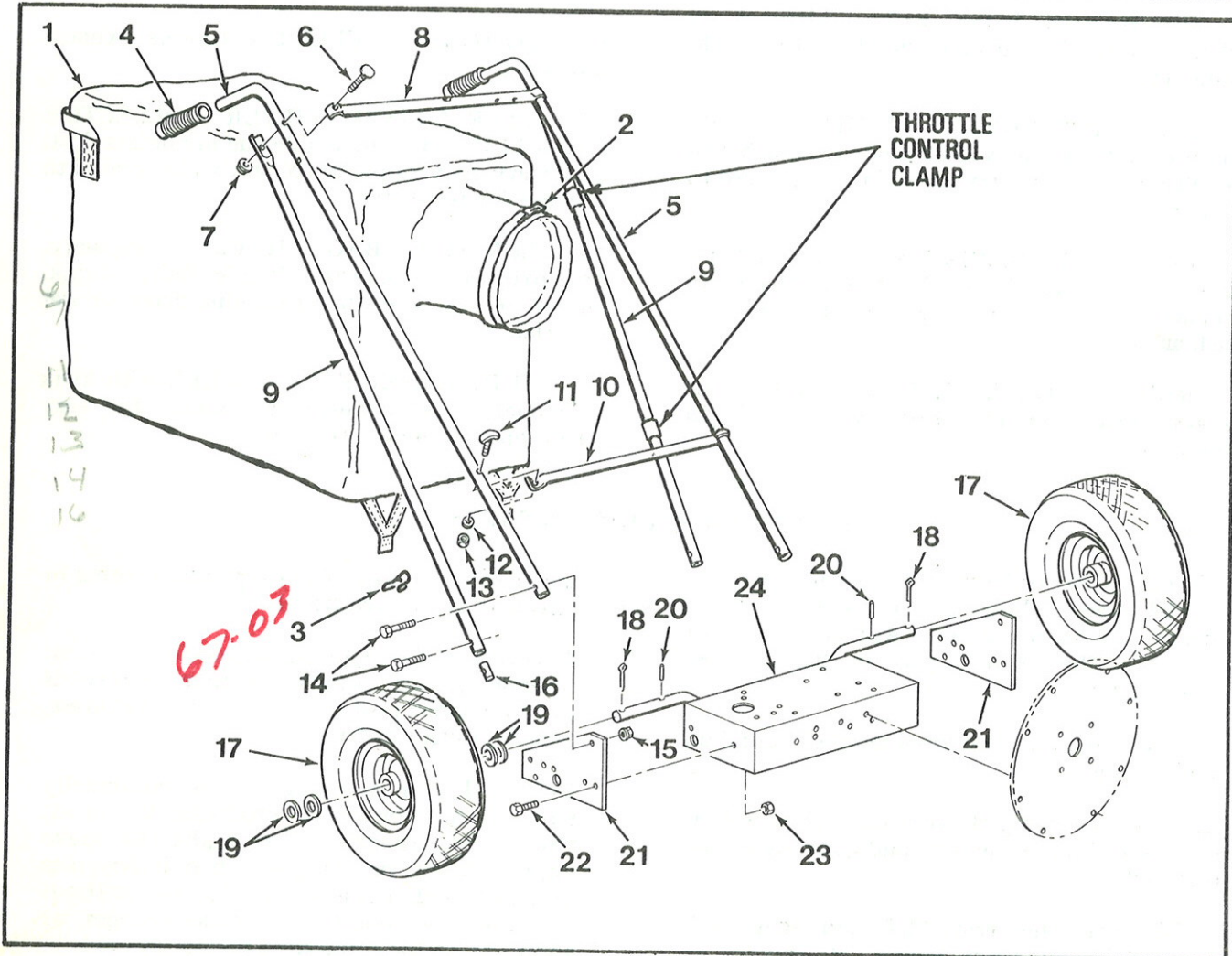


Figure 7. Handle Assembly

OPTIONAL ACCESSORIES

NOTE: Accessory No. and Price List can be obtained from your local distributor.

1. BAG PLATFORM - Easily installed platform supports Bag when filled with heavy load.
2. 36" INTAKE HOUSING - Ideal for sweeping lighter weight debris and in larger, open areas.
3. 30" INTAKE HOUSING - Most popular size intake housing for sweeping most debris from hard surface or turf.
4. 24" INTAKE HOUSING - For sweeping in narrow aisles or in areas where heavier objects are to be collected.
5. DISCHARGE HOSE KIT - Attaches to exhaust port for loading debris into truck, container, etc.
6. HOSE ATTACHMENT 6" DIA. - 14 Ft. length overall, fits all Vac-35 models. Attaches to impeller housing for cleaning debris from hard to reach areas.
7. HOSE ATTACHMENT 4" DIA. - 23 Ft. length overall, fits all Vac-35 models. Attaches to impeller housing for cleaning debris from hard to reach areas.
8. RUBBER ROLLER KIT - Extra-wide roller recommended primarily for turf sweeping. Height adjustable.
9. SCRAPER BRUSH KIT - Installs inside rear of intake housing. Loosens debris which adheres to surface. (Available for 30" intake housing only.)
10. MAGNETIC ROD KIT - Assembles to front of intake housing. Attracts metal objects. (Available for 30" intake housings only.)
11. OXY-CATALYST MUFFLER - Exhaust purifier greatly reduces Carbon Monoxide fumes in exhaust gases.
12. SPARK ARRESTOR KIT - Prevents exhausting of sparks from muffler. Safer and easily attaches to engine.
13. LO-TONE MUFFLER - Lowers exhaust tone level.
14. FLEECE-LINED FILTER COLLECTOR BAG - 11 Cu. Ft. launderable bag minimizes dust. 54" heavy duty zipper opening. Can be treated to increase fire resistance.
15. LUMITE^(R) BAG - 10 Cu. Ft. capacity, polypropylene material. Won't fade, shrink, mildew or rot. Use when gathering damp or wet material.
16. TURF WHEEL KIT - Wheel Kit with kwik individual wheel adjustment. Makes for easy operation over uneven surfaces.

HOW TO ORDER REPAIR PARTS

NOTE: When ordering service parts for any model Vac, follow the instructions listed below. By so doing, you will be assured of receiving the correct part in the shortest possible time.

1. Give the model and serial number, found on fan housing.
2. Write the complete part number as well as the description of the part, and quantity of part required.
3. Whenever the terms "left and right, or L and R" are used herein, it should be

understood to mean from a position facing in direction of forward travel.

4. Give detailed shipping instructions, that is: Railroad station, county; whether shipment is to be by parcel post, United Parcel, air express, express, freight or truck.

NOTE: Parker Sweeper Co. is continually striving to improve its products. We must, therefore, reserve the right to make improvements, or changes, when it becomes practical and possible to do so, without incurring any obligation to make changes, or additions, to the equipment previously sold.

condensation which might have accumulated in the muffler. Check regularly.

E. OXY-CATALYST MUFFLER. When using the Oxy-Catalyst Muffler, use unleaded fuel only since leaded fuel will shorten the life of the Catalyst. The catalyst is a chemical which reacts continuously with the exhaust gases to render them harmless. To be effective and start the reaction, the exhaust gas temperatures must be brought up to 500°F. The Catalyst will become red hot.

(1) To determine the effectiveness of the Catalyst it is necessary to measure the (CO) Carbon-Monoxide concentrations in the exhaust gases. This can be done with a Gas Hazard Indicator. One source of this equipment is Bacharach Industrial Instrument Co., 625 Alpha Drive, Pittsburgh, Pa. 15238.

(2) If the Catalyst deteriorates to the point where contaminants are not at a satisfactory level, the Catalyst must be replaced.

6. LIQUID PROPANE FUEL. Available only on Kohler Engine. When a VAC-35 is equipped for liquid propane fuel, a slightly different starting technique is required. Follow steps F thru N to start LP engine.

CAUTION: When installing fuel tanks, new or refills, be sure they comply with the following specifications:

- A. ICC-4BA240. W.P. 240 PSI.
- B. Mounted Horizontal — vapor withdrawal.
- C. 14# Propane 8" dia. collar.
- D. 20# Propane 10" dia. collar.

E. These specifications are also printed on the fuel tank support.

IMPORTANT: Check your local, state and federal regulations when using liquid propane fuel to be sure you comply with all requirements for the conditions covering its use.

F. Open fuel line valve at tank.

G. Set throttle in half open position. Close choke completely on carburetor.

H. Pull starter rewind cable 3 or 4 times. This will open automatic shut-off valve allowing gas to enter and start engine.

I. At first firing of engine, open choke at once.

J. If engine fails to continue running, close choke again before pulling rope.

K. If engine fails to start, carburetor may need adjusting. Turn in main fuel jet until it is closed. Back out 1 1/4 turns. This should be the position to allow the engine to start. After engine has been warmed up, adjust main jet for final running position by turning slowly in each direction until the engine performance is satisfactory.

L. If no success, check for fuel in tank and carburetor. Check ignition and spark plug. Repeat above operations.

M. When stopping engine, shut off fuel at tank and run dry. This removes load from valves and regulators and lengthens their life. Also prevents danger from gas leakage while engine is not used.

N. Extra filled tanks should be stored on steel rack with tank horizontal and arrow and relief valve up.

D. Intake Housing or Hose Kit is attached to the Fan Housing.

E. For electric operated, the correct voltage and 3 phase power source is available.

F. Heavy concentrations of sand and gravel should be avoided. These materials are extremely abrasive, and while the Vac-35 will handle moderate amounts of these materials, it was not designed for heavy applications. Because these materials are extremely heavy, they will tend to collect in a lump in the bag, causing it to drag on the ground and wear out prematurely. The Vac-35 is capable of picking up empty tin cans and blocks of wood, but it was not intended for this type of service, since tremendous stresses are set up as these pieces pass through the impeller. Treat you Vac-35 with reasonable care and it will repay you with long, trouble-free service.

G. The Vac-35 will handle most common kinds of debris found around industrial plants, commercial buildings, homes and farms. Acid contaminated materials, magnesium, dust and other DANGEROUS DEBRIS that is considered hazardous should not be handled with the Vac-35 unless approved by a regulating authority considered to be an expert in the handling of such hazardous materials.

H. Keep filter bag clean. The efficiency of this unit depends on the breathing capabilities of the dust bag. On extremely dusty jobs, empty bag often. Never allow debris to remain in bag after use. There is a danger of spontaneous combustion.

3. LUBRICATION

A. Lubricate the wheel bearings and wheel axle on the caster once a week if used daily. A few drops of oil applied to the throttle control cable and wire will keep it operating smoothly.

NOTE: Refer to engine operating instructions for proper lubrication of the engine.

4. SERVICING

A. The Vac-35 is equipped with a front adjustable caster which will provide any height adjustment of intake housing that may be practical.

NOTE: It is advisable to use the optional wheel turf kit or rubber roller kit when sweeper is used primarily for turf sweeping.

B. For servicing and operating instructions for engine refer to Engine Manufacturers Service Manual. Careful attention to care of air cleaner and crankcase lubrication instructions will insure longer engine life. KEEP ENGINE CLEAN.

CAUTION: DO NOT WORK ON VAC-35 repairs with engine running or idling. Bring to a DEAD STOP. Remove spark plug on engine models. Remove extension cord on electric models. When changing attachments, bring engine or motor to a complete stop.

C. For easy rolling, keep the tires inflated to 25 pounds pressure.

D. For a "like new" appearance, wash the plastic blower housing and nozzle with soap and water, rinse with clear water and wipe dry. Do not use harsh abrasives or cleansers as they will dull the bright finish.

E. When using hose attachment, keep it away from engine exhaust system and other parts of the engine and hot surface of electric motor that may be hot enough to burn plastic hose.

5. ENGINE POWERED

IMPORTANT: Read the engine manual CAREFULLY before operating the Vac-35.

A. BRIGGS & STRATTON ENGINE. The stop switch for this engine is operated by the throttle lever. To stop engine back-off on the throttle as far as possible, this works an automatic stop switch on the engine. Should this switch fail to operate properly, consult your engine manual Section IV under Standard Speed Control for proper adjustment.

B. KOHLER ENGINES. The stop switch is located on the lower left side of the engine below the exhaust.

C. SERVICING AND OPERATING INSTRUCTIONS. Refer to Engine Manufacturers Service Manual. Careful attention to care of air cleaner and crankcase lubrication instructions will insure longer engine life. KEEP ENGINE CLEAN.

CAUTION: When refueling engine care should be taken to not spill fuel on hot engine. This could cause the fuel to ignite.

D. SPARK ARRESTOR MUFFLER. The drain plugs have been provided for draining any

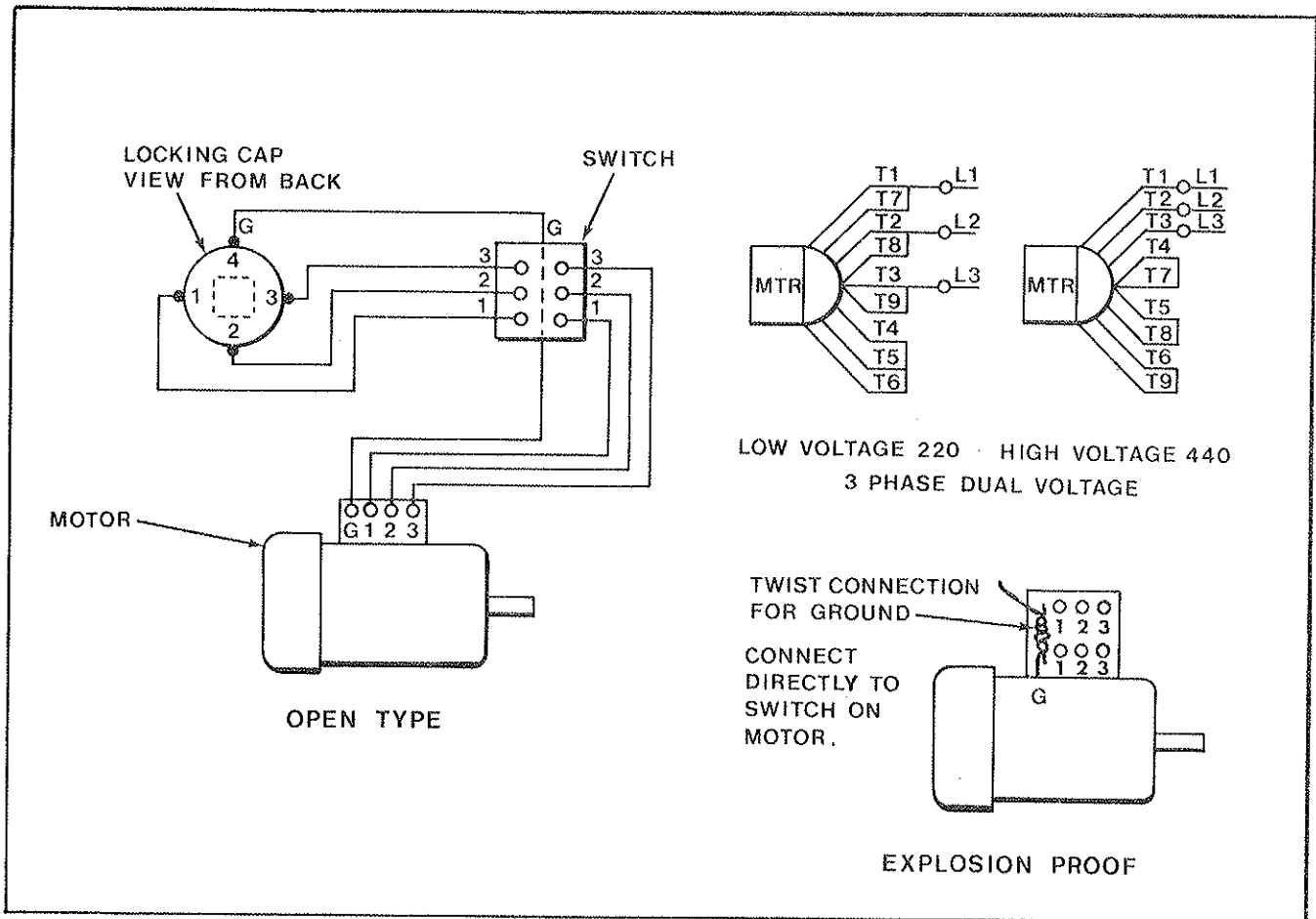


Figure 6. Wiring Diagram

6. VOLTAGE CONVERSION PROCEDURE

A. If the unit is to be used in a location where 440 volt, 3 phase, 60 Hz power is available, the electric motor can be converted in the following manner.

B. MAKE SURE MOTOR IS DISCONNECTED FROM POWER SOURCE.

C. Remove the junction box cover from the motor. Refer to figure 6, wiring diagram and disconnect leads and reconnect for 440 volt. Attach a tag to the unit indicating that it is to operate only on 440 volt.

OPERATING INSTRUCTIONS

1. Attach the dust bag to the sweeper by placing the loops over the handles and attaching the hooks to the front bag straps, then hooking them over the lower crossbrace. Slip the neck of the dust bag over the Spin-Pak until the tie strap can be pulled tight around the housing neck just over the bead on the Spin-Pak. The bead must be covered. See Figure 8.

2. Before starting the engine or electric motor, read and understand the following.

A. If you have an engine, crankcase is filled with the proper type and amount of oil.

B. Spin-Pak is in place.

C. Dust Bag or Discharge Hose is in place.

5. ELECTRIC POWERED MODELS ASSEMBLY

A. Refer to Fig. 11 and observe items 15, 16, 17 and 18. This support hook is to provide a place to store the extension cord. The cord is not furnished by Parker Sweeper Co. The above items are packed in Carton No. 1.

B. Remove hardware from hook and place the bolts thru the holes in item 17, Fig. 11, then thru the holes in the neck from inside the fan housing. Place the hook item 16 over the bolts and install and tighten the nuts.

C. Model PV-7702-E— 2HP — 3PH — 220/440 Volts — 50/60 Hertz. This model leaves the Factory wired for 220 Volts operating current. This model has the open type motor with the start-stop switch to be installed on the handle. All of the electrical connections have been made and the parts have been assembled. To attach the assembly to the handle, remove the nuts, item 10, Fig. 11 and the U Bolts, item 8. Place the U Bolts around the handle, install item 11 of the assembly over the U Bolts, replace the nuts and tighten.

D. Extension cords are not furnished with electric model Vacs. The switch assembly is supplied with a male locking connector, four conductor, Polarized, to which an extension cord is to be attached. Electrical cords must be 4 conductor type and both power outlets and cords shall meet all local and national codes. The power source must be properly fused and grounded.

E. Model PV-7702-EX — 2HP — 3Ph — 220/440 Volts — 50/60 Hertz. This model has a closed and explosion proof type motor with the start-stop switch installed on the motor. All the electrical connections have been made to the start-stop switch. The motor and switch is UL approved for Class 1, Group D and Class 2, Group F and G Classifications. These classifications cover applications listed as follows:

(1)GASEOUS LOCATIONS. Gaseous locations such as gasoline refineries, paint and varnish plants, dry cleaning plants, or wherever the gas encountered is not more hazardous than high-test gasoline vapor.

(2)EXPLOSIVE DUST. Areas containing explosive dust from coal, coke, carbon black or other materials.

(3)EXPLOSIVE GRAIN DUST. Applications in grain elevators, feed mills, flour mills or other locations where the atmosphere contains explosive grain dust.

F. This model PV-7702-EX leaves the Factory wired for 220 Volts operating current. Extension cord is not furnished by Parker Sweeper Co.

G. The extension cord for Explosion Proof Motors is attached directly to the switch. See Wiring diagram, Fig. 6.

H. All cords must be 4 Conductor, and both power outlet and extension cords shall meet all local and national codes. The power source must be properly fused and grounded.

WARNING: BE SURE THE ELECTRICAL POWER SOURCE IS DISCONNECTED BEFORE CONNECTING THE EXTENSION CORD TO THE EXPLOSION PROOF SWITCH.

I. PHASE ROTATION. The motor direction of rotation is determined by the sequence of the phase connections. This unit leaves the factory properly wired for 220 current and a standard sequence. If power connections are not standard, it will be necessary to interchange any TWO of the three lead connections 1, 2 and 3 on the motor to obtain the corrective direction of rotation. Your power company can assist you in the determination of the phase sequence. See Fig. 6

IMPORTANT: It is important that the direction of the Vac-35 Impeller rotation be checked on this machine. Looking directly at the impeller from the front of the machine, it should turn counterclockwise, as indicated by arrow on front of fan housing.

CAUTION: All electrical cord and outlets should meet local and national electrical codes. For extension cord up to 50 Ft. in length use No. 16 wire. For extension cord up to 100 Ft. in length use No. 12 wire.