



Electronic Service Manuals

This electronic document is provided as a service to our customers. We do not create the contents of the information contained in this document. Should you have detailed questions pertaining to the information contained in this document, you may contact Michco, or the manufacturer which provided the original information in this electronic deliverable. Michco's only part in this electronic deliverable was the electronic assembly process. By providing this manual on line we are not guaranteeing parts availability.

You may contact Michco through the following methods:

Phone (517) 484-9312 or (800) 331-3339

2011 N. High St. -- Lansing, Michigan -- 48906

Fax: (517) 484-9836

Email: CustServe@Michco.com

Web site: www.Michco.Com

Parts Web site: www.FloorMachineParts.Com

Order Parts on Line at:

www.FloorMachineParts.Com

Directly to Parts & Service:

By Email: **Shop@Michco.com**

By Fax: (517) 702-2041

By Voice: Use numbers above.

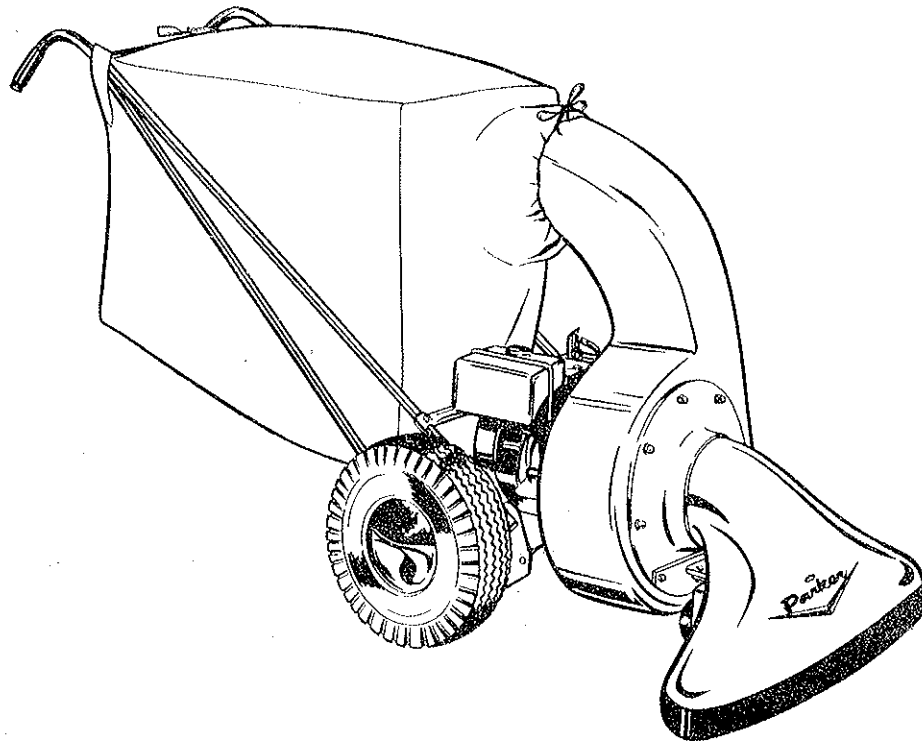
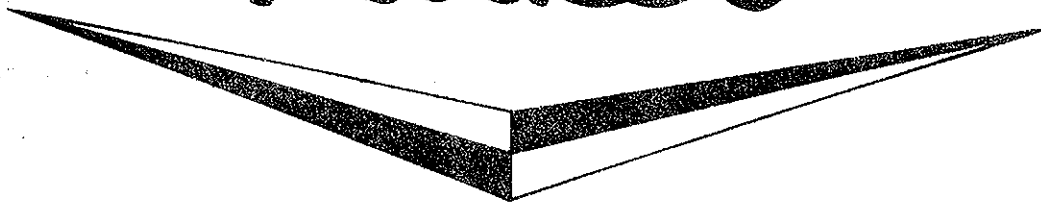
Serving the Cleaning Industry Since 1922

Notice: All copyrighted material remains property of original owners, all trademarks are property of respective owners. Manuals are subject to Manufacturer's reproduction limitations. Originals or reproductions were provided by manufacturers through a request. We make no warranty as to the correctness of information provided in this document and you assume all risk. By placing these manuals on line we are not declaring our corporation to be an manufacturer authorized dealer or provider, please check our web site for authorized manufacturers we represent.

OPERATING INSTRUCTIONS
AND PARTS LIST FOR

PV-6230
PV-6230-R
VAC-35


Parker



NOTICE: These instructions were written to assist you in assembling your Sweeper quickly and correctly. Read instructions thoroughly before attempting assembly so that you are familiar with the complete procedure.

PARKER SWEEPER COMPANY

BOX 720

SPRINGFIELD, OHIO

ASSEMBLY INSTRUCTIONS

Check contents of the hardware bag with the following packing list:

- 4 Handle Inserts (Ref. No. 51) (See exploded view)
- 2 Handle Clamps (Ref. No. 16)
- 2 Hex Head Bolts (Ref. No. 2) $\frac{1}{4}$ -20 x $1\frac{1}{2}$
- 2 Hex Head Bolts (Ref. No. 15) $\frac{1}{4}$ -20 x $1\frac{1}{4}$
- 4 Lock Washers (Ref. No. 3) $\frac{1}{4}$
- 4 Hex Nuts (Ref. No. 4) $\frac{1}{4}$ -20
- 4 Hex Head Bolts (Ref. No. 49) $\frac{5}{16}$ -18 x $1\frac{1}{4}$
- 4 Lock Washers (Ref. No. 40) $\frac{5}{16}$
- 4 Hex Nuts (Ref. No. 44) $\frac{5}{16}$ -18
- 2 Round Head Screws (Ref. No. 9) 10-24 x 1
- 2 Lock Washers (Ref. No. 10) #10
- 2 Hex Nuts (Ref. No. 11) 10-24

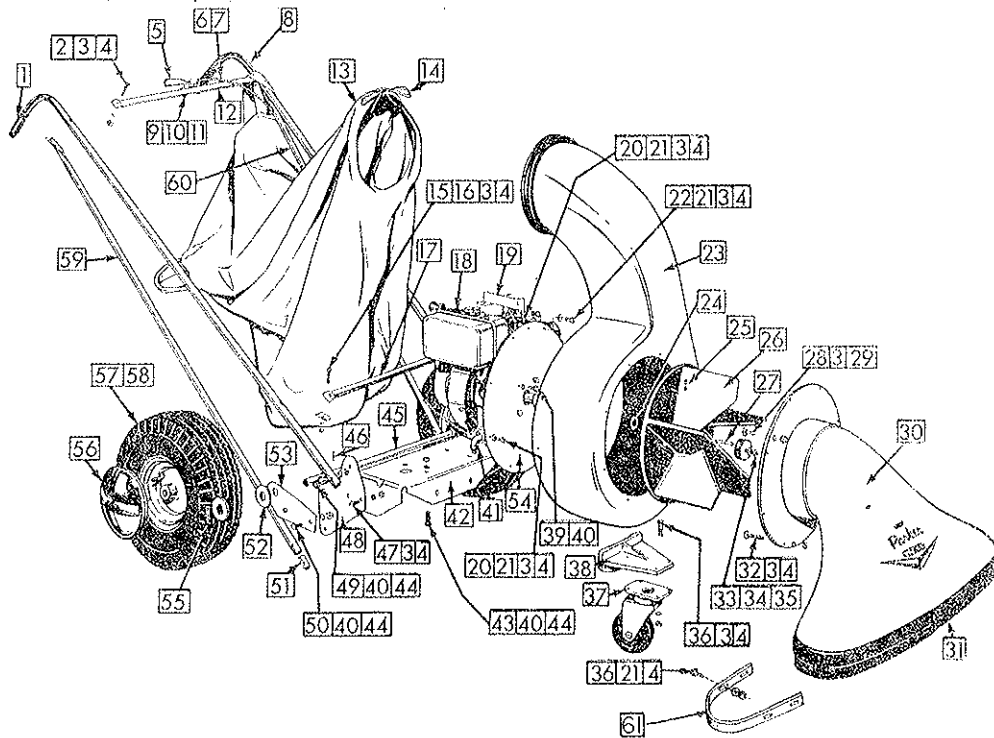
1. Assemble the two handles (Ref. No. 8) to the top holes of the right and left handle supports (Ref. No. 48) with bolts, nuts, and washers, (Ref. Nos. 49, 40, 44) making sure a steel insert (Ref. No. 51) is in the end of each handle. Do not tighten.
2. Assemble the two trusses (Ref. Nos. 59 and 60) to the bottom holes of the right and left handle supports (Ref. No. 48) with bolts, nuts, and washers (Ref. Nos. 49, 40, 44) again making sure a steel insert (Ref. No. 51) is in the end of each truss. Do not tighten. NOTE: The truss with the throttle control must be on the left side opposite the gas tank.
3. Next assemble the lower cross brace (Ref. No. 17) on top of the two handles putting the two clamps (Ref. No. 16) on the under side of handles. Use bolts, nuts, and washers (Ref. Nos. 15, 4, 3) and tighten.
4. Place the upper brace (Ref. No. 12) on top of the two handles, putting the two small holes in the center of the brace in a vertical position. Use bolts, nuts, and washers (Ref. Nos. 2, 4, 3) making sure bolts run through brace, handles, and trusses. Tighten. NOTE: There are two holes in the upper end of each truss. Use the set of holes which position the handles more conveniently for the operator.
5. Connect the control wire to the throttle lever on the carburetor of the engine and lock the cable into the clamp on the carburetor. Then assemble the throttle onto the upper cross brace using the bolts, nuts, and washers (Ref. Nos. 9, 11, 10) and tighten.
6. Tighten all remaining bolts.
7. Attach the dust bag to the sweeper, placing loops over the handles and tying the round opening of the bag securely to the blower housing (Ref. No. 23).

OPERATING INSTRUCTIONS FOR PARKER VAC-35

IMPORTANT: Read the engine manual CAREFULLY before operating the Vac-35.

1. KEEP FILTER BAG CLEAN. The efficiency of this unit partly depends on the breathing capabilities of the dust bag. On extremely dusty jobs, empty bag often. Never allow debris to remain in bag after use.
2. Make sure bag is in place when starting and stopping engine.
3. Do not use the Vac-35 for removal of sand or light gravel. These materials are extremely abrasive, and while the Vac-35 will handle moderate amounts of these materials, it was not designed for heavy applications. Because these materials are extremely heavy, they will likewise tend to collect in a lump in the bag, causing it to drag on the ground and wear out prematurely. Likewise, while the Vac-35 is capable of picking up empty tin cans and blocks of wood, it was not intended for this type of service, since tremendous stresses are set up as these pieces pass through the impeller. Treat your Vac-35 with reasonable care and it will repay you with long, trouble-free service.
4. Model PV-6230 is equipped with a front caster for cleaning of hard surfaces, such as sidewalks, parking areas, factory floors, etc. where the air intake housing (Ref. 30) should be close to the surface. No height adjustment should be needed for the intake housing with this model. Model PV-6230-R is equipped with a rubber roller to be used on lawns or other soft surfaces which would yield to the weight of the machine. If used on lawns, adjust roller high enough to allow air to enter intake housing.

VAC-35 MODELS PV-6230 AND PV-6230-R PARTS LIST



REF. No.	PART No.	DESCRIPTION OF PART	No. REQ.	REF. No.	PART No.	DESCRIPTION OF PART	No. REQ.
1	61-26-A	Handle Grip	2	32	73-416-20	Step Bolt 1/4 x 1 1/2	2
2	*65-416-24	Hex Head Bolt 1/4-20 x 1 1/2	2	33	61-10-A	Fan Retainer	1
3	*936-416	Lock Washer 1/4	29	34	*935-516	Spring Lock Washer 3/16	1
4	*335-416	Hex Nut 1/4-20	31	35	60-516-24	Hex Head Bolt N.F. 3/16-24 x 1 1/2	1
5	61-28-A	Throttle Control Assembly	183-25-8-60	36	65-416-16	Hex Head Bolt 1/4-20 x 1	12
6	30-054-62 1/2	Throttle Wire — .054 Dia. 62 1/2 Inches Long	1	37	61-66-A	Caster 69-119-A	1
7	20-6-60	Throttle Cable — 3/16 Dia. 60 Inches Long	1	38	41-03-C	Caster Bracket 66-930-C	1
8	62-196-B	Handle 65-03-B	2	39	60-516-10	Hex Head Bolt N.F. 3/16-24 x 3/8	4
9	*515-10	Round Head Screw 10-24 x 1	2	40	*936-516	Lock Washer 3/16	16
10	*936-10	Lock Washer No. 10	2	41	61-25-A	Street Elbow 90° x 1/4"	1
11	*335-10	Hex Nut 10-24	2	42	61-04-E	Engine Base	1
12	61-12-B	Upper Cross Brace	1	43	*65-516-24	Hex Head Bolt 3/16-18 x 1 1/2	4
13	62-118-F	Dust Bag Assembly MA-419-1	1	44	*335-516	Hex Nut 3/16-18	12
14	61-49-A	Rope 50"	1	45	61-15-B	Axle	1
15	*65-416-20	Hex Head Bolt 1/4-20 x 1 1/4	2	46	63-65-A	Roll Pin 1/8 x 1 71-06-A	4
16	59-77-A	Clamp	2	47	65-416-B	Hex Head Bolt 1/4-20 x 1/2	2
17	61-11-B	Lower Cross Brace	1	48	61-07-C	Handle Support	2
18	61-21-A	Engine	1	49	*65-516-20	Hex Head Bolt 3/16-18 x 1 1/4	4
19	61-08-B	Bracket	1	50	*65-516-12	Hex Head Bolt 3/16-18 x 3/4	4
20	515-416-12	Round Head Screw 1/4-20 x 3/4	7	51	61-13-A	Insert 75-90-A	4
21	*945-416	Washer — Flat SAE 1/4	17	52	*945-1216	Washer — Flat SAE 3/8	4
22	*515-416-10	Round Head Screw 1/4-20 x 3/8	2	53	61-05-RB	Axle Support — Right Hand — Shown	1
23	61-46-E	Blower Housing MA-288-C	1		61-06-LB	Axle Support — Left Hand — Not Shown	1
24	61-20-A	Washer — Special	1	54	61-02-C	Back Cover	1
25	564-C-516-16	Set Screw 3/16 x 1	1	55	*380-432-20	Cotter Pin 1/8 x 1 1/4	2
26	61-14-D	Fan Wheel	1	56	61-34-A	Hub Cap	2
27	61-65-A	Key 3/16 x 3/16 x 1 1/4	1	57	61-32-A	Wheel 68-497-B	2
28	73-416-12	Step Bolt 1/4 x 3/4	6	58	61-33-A	Tire and Tube 68-312-A	2
29	61-42-A	Acorn Nut 1/4-20	6	59	61-18-RE	Handle Truss — Right Hand	1
30	61-43-E	Intake Housing Assembly MA-242-F	1	60	61-17-LE	Handle Truss — Left Hand	1
31	61-23-B	Rubber Skirt 73-67-D	1	61	62-98-C	Guard	2

ALWAYS GIVE THE FOLLOWING INFORMATION WHEN ORDERING REPAIR PARTS

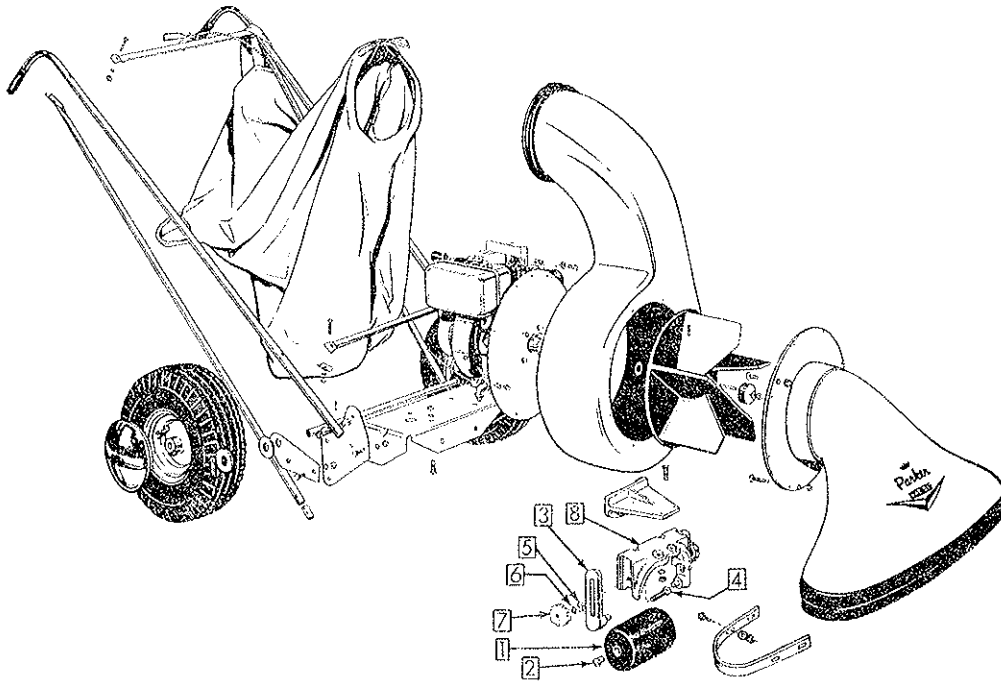
Order all parts from your nearest dealer.

- | | |
|--|----------------------------|
| 1. Part Number and Quantity. | 3. Serial Number |
| 2. Model Number (found on Intake Housing). | (found on Guarantee Card). |

Your unit is right hand (R.H.) or left hand (L.H.) as you stand behind it.

*Standard hardware items may be purchased locally.

VAC-35 MODEL PV-6230-R COMPLEMENTARY PARTS LIST



REF. No.	PART No.	DESCRIPTION OF PART	No. REQ.	REF. No.	PART No.	DESCRIPTION OF PART	No. REQ.
1	62-92-B	Roller Assembly	1	5	*945-516	Flat Washer $\frac{5}{16}$	2
2	61-100-A	Bearing	2	6	*935-516	Spring Lock Washer $\frac{5}{16}$	2
3	61-96-B	Adjustable Pin	2	7	59-47-B	Adjustable Knob	2
4	*70-516-32	Carriage Bolt $\frac{5}{16}$ -18 x 2	2	8	61-97-C	Roller Bracket	1

ALWAYS GIVE THE FOLLOWING INFORMATION WHEN ORDERING REPAIR PARTS

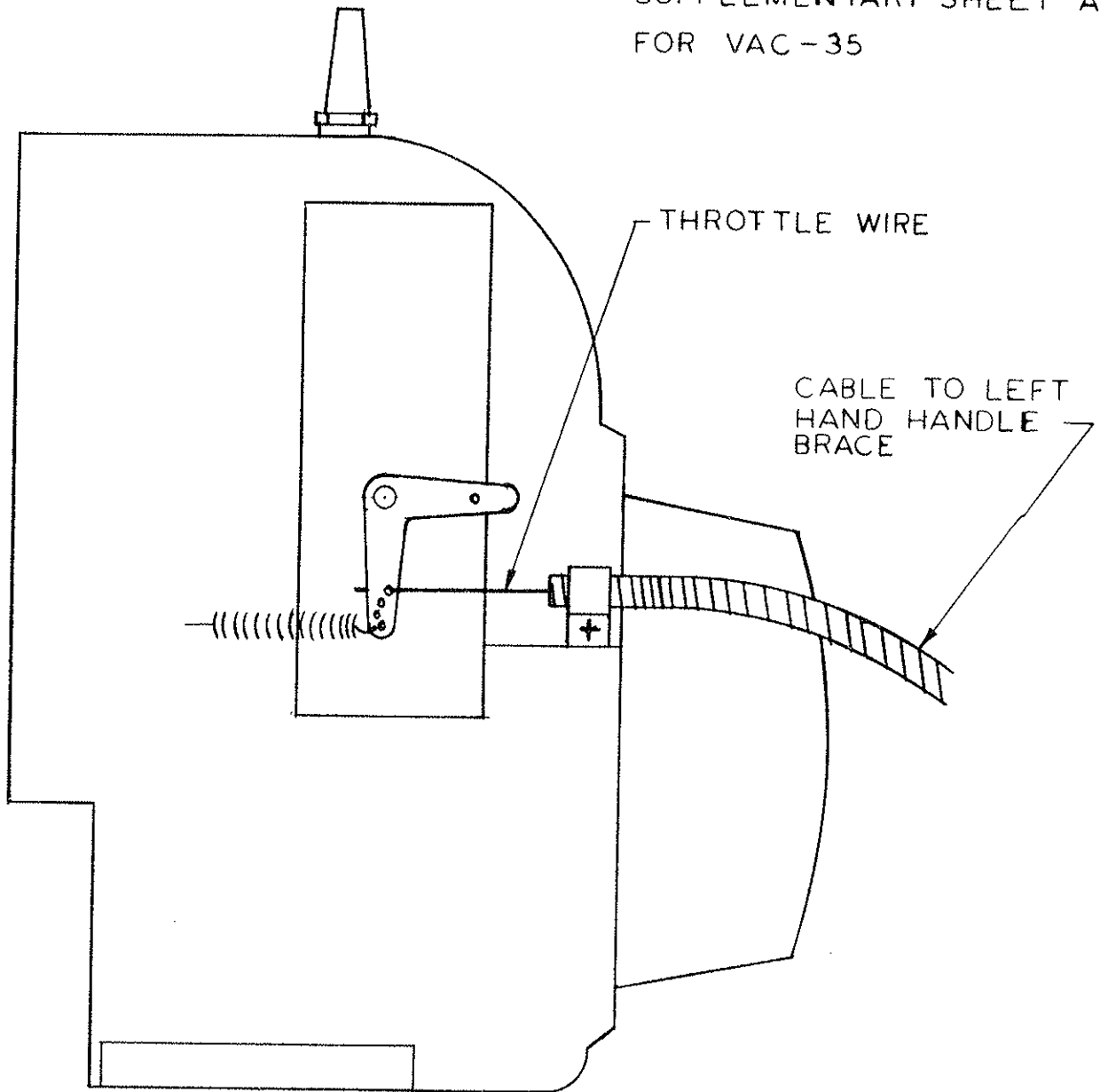
Order all parts from your nearest dealer.

- | | |
|--|----------------------------|
| 1. Part Number and Quantity. | 3. Serial Number |
| 2. Model Number (found on Intake Housing). | (found on Guarantee Card). |

Your unit is right hand (R.H.) or left hand (L.H.) as you stand behind it.

*Standard hardware items may be purchased locally.

SUPPLEMENTARY SHEET "A"
FOR VAC-35



ATTATCH THROTTLE CONTROL WIRE AS SHOWN.

SERVICEABLE AIR CLEANER — REMOVE COVER, PULL OUT ELEMENT. CLEAN ELEMENT BY WASHING IN GASOLINE OR STRONG SOLUTION OF WATER AND HOUSEHOLD DETERGENT. SQUEEZE OUT ALL LIQUID, COVER ONE END LIGHTLY WITH SAME OIL USED IN ENGINE AND KNEAD BETWEEN FINGERS TO DISTRIBUTE OIL THROUGH ELEMENT. REPLACE PARTS IN SAME ORDER THEY WERE REMOVED.

