



## Electronic Service Manuals

This electronic document is provided as a service to our customers. We do not create the contents of the information contained in this document. Should you have detailed questions pertaining to the information contained in this document, you may contact Michco, or the manufacturer which provided the original information in this electronic deliverable. Michco's only part in this electronic deliverable was the electronic assembly process. By providing this manual on line we are not guaranteeing parts availability.

You may contact Michco through the following methods:

Phone (517) 484-9312 or (800) 331-3339

2011 N. High St. -- Lansing, Michigan -- 48906

Fax: (517) 484-9836

Email: [CustServe@Michco.com](mailto:CustServe@Michco.com)

Web site: [www.Michco.Com](http://www.Michco.Com)

Parts Web site: [www.FloorMachineParts.Com](http://www.FloorMachineParts.Com)

Order Parts on Line at:

**[www.FloorMachineParts.Com](http://www.FloorMachineParts.Com)**

Directly to Parts & Service:

By Email: **[Shop@Michco.com](mailto:Shop@Michco.com)**

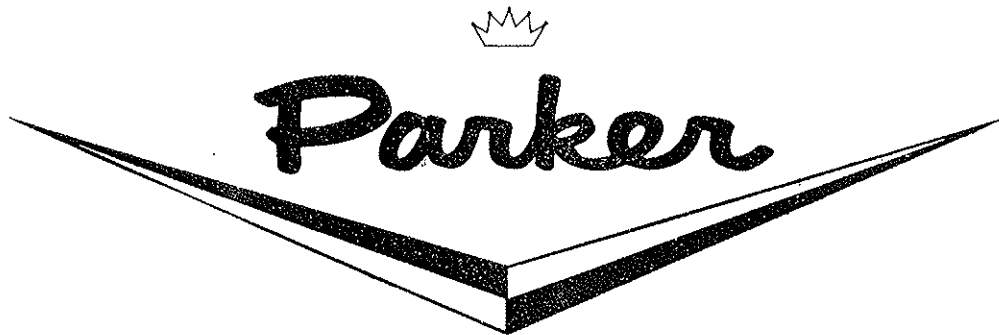
By Fax: (517) 702-2041

By Voice: Use numbers above.

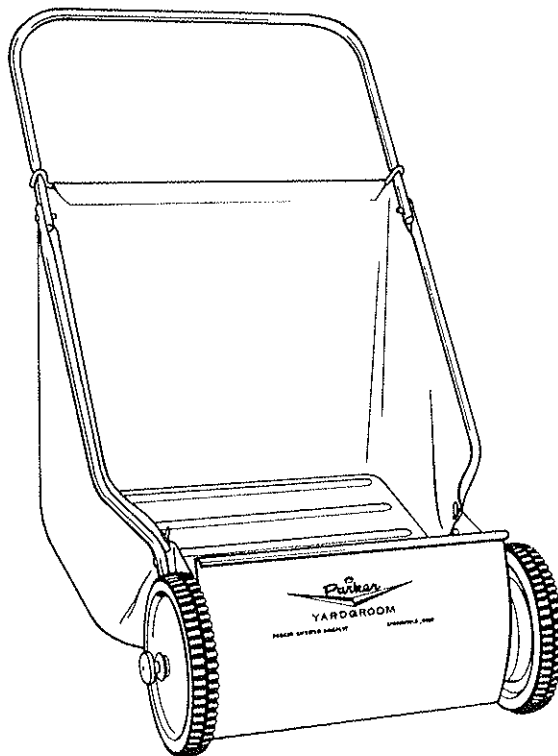
**Serving the Cleaning Industry Since 1922**

Notice: All copyrighted material remains property of original owners, all trademarks are property of respective owners. Manuals are subject to Manufacturer's reproduction limitations. Originals or reproductions were provided by manufacturers through a request. We make no warranty as to the correctness of information provided in this document and you assume all risk. By placing these manuals on line we are not declaring our corporation to be an manufacturer authorized dealer or provider, please check our web site for authorized manufacturers we represent.

# OWNERS GUIDE



## YARDGROOM MODEL YG-7720



**ALWAYS GIVE THE FOLLOWING INFORMATION WHEN  
ORDERING REPAIR PARTS:**

**IMPORTANT**

1. PART NUMBER (Not Item No.)
2. QUANTITY NEEDED
3. DESCRIPTION OF PART
4. MODEL No. YG-7720

If unable to obtain parts locally, write down above information and send to:  
**PARKER SWEEPER CO., BOX 1728, SPRINGFIELD, OHIO 45501**  
Your unit is right hand (R.H.) or left hand (L.H.) as you stand behind it.

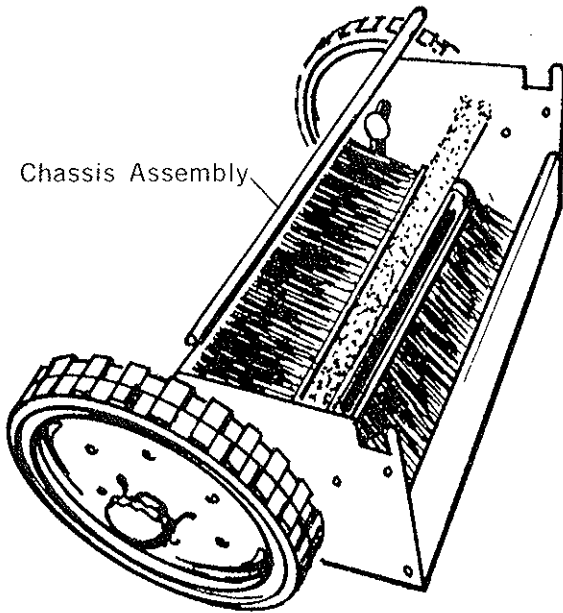
# ASSEMBLY INSTRUCTIONS

After removing the Unit from the Carton, check the contents. You should have:

- 1 ~~77-38-B~~ Upper Handle - Fig. 3
- 1 ~~SA-607-D~~ Chassis Assembly - Fig. 1
- 2 76-21-B Lower Handle - Fig. 3
- 1 ~~SA-608-D~~ Basket Assembly - Fig. 4
- 1 77-39-A Basket Support - Fig. 4

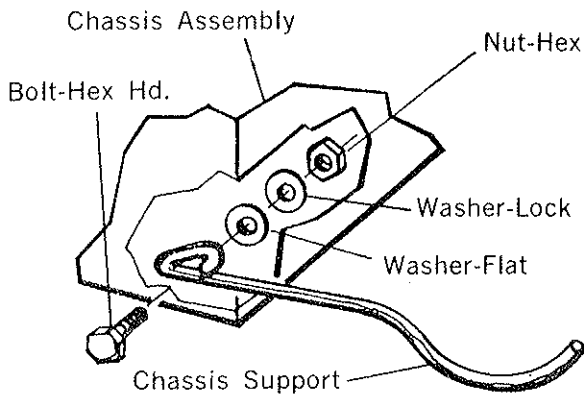
PLASTIC BAG CONTAINING:

- 2 76-20-B Chassis Support
- 2 65-416-12 Bolt 1/4-20 x 3/4
- 4 69-416-16 Bolt 1/4-20 x 1
- 8 335-416 Nut 1/4-20 Hexagon
- 8 935-416 1/4" Spring Lock Washer
- 2 945-416 Flat Washer
- 2 65-416-8 Bolt 1/4-20 x 1/2



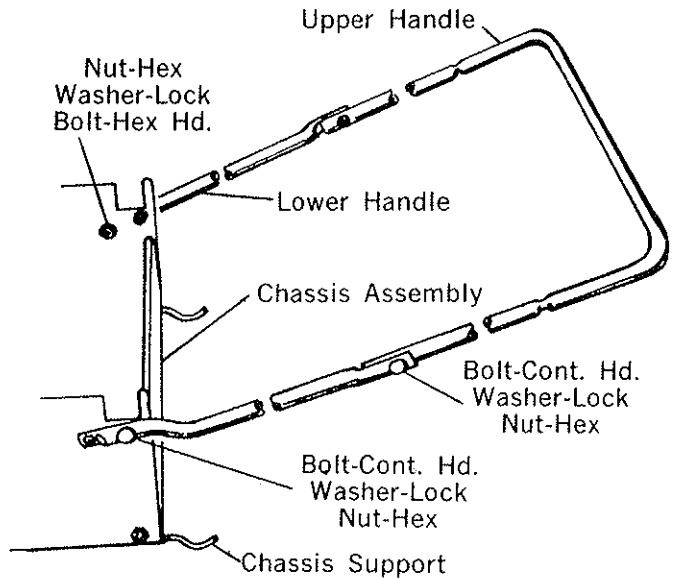
**Figure 1**

1. Ref. Fig. 2 - To assemble your Sweeper, turn the Unit upside down and install (2) Chassis Supports, using (2) 1/4-20 x 3/4 Hex Bolts, (2) Flat Washers, (2) Spring Lock Washers and (2) Hex Nuts. Tighten the Nuts securely.



**Figure 2**

2. Ref. Fig. 3 & 5 - Next, install the Lower Handles to the Chassis, using (2) 1/4-20 x 1/2 Hex Bolts, (2) 1/4-20 x 1 Contour Head Bolts, (4) Spring Lock Washers and (4) 1/4-20 Hex Nuts, and tighten lightly.
3. Ref. Fig. 3 & 5 - Now attach the Upper Handles to the Lower Handles,, using (2) 1/4-20 x 1 Contour Head Bolts, (2) Spring Lock Washers and (2) Hex Nuts. Now tighten all Handle Bolts and Nuts securely.



**Figure 3**

4. Ref. Fig. 4 - Now insert the Basket Support Rod through the hem in the Basket back and place the Basket in position between the Handles. Hook the Support Rod in the notches on the Upper Handle. Hook the Basket Bottom over the Chassis Assembly and bring the eyelet ends of the Basket material over the outside of the Lower Handle and hook on the Chassis Assembly (both sides).

# ASSEMBLY INSTRUCTIONS

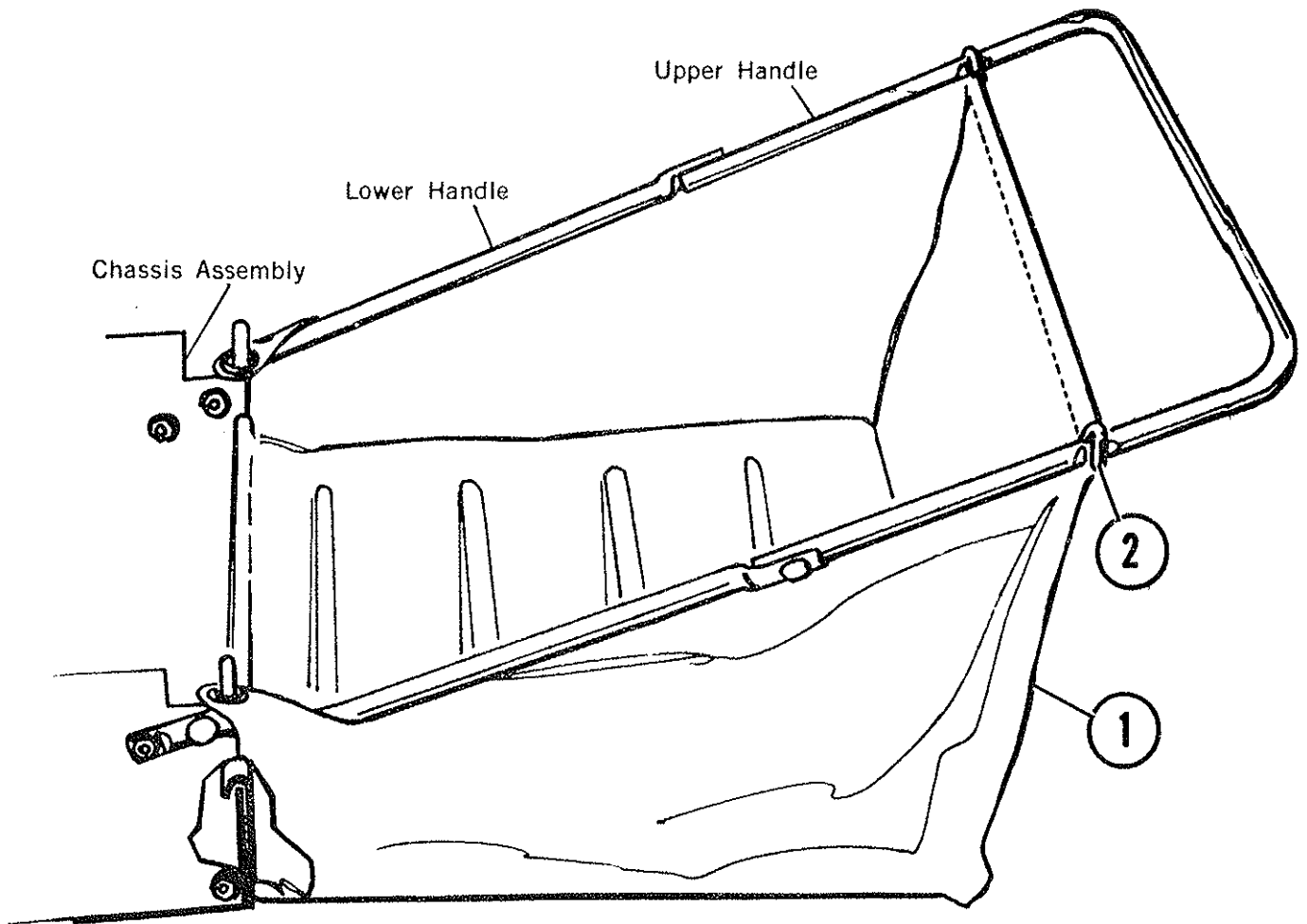


Figure 4

## PARTS LIST

Ref. No.	Part No.	Qty. Per Unit	Description
1	5A-608-D	1	Basket Assembly
2	76-39-A	1	Basket Support

## OPERATING INSTRUCTIONS

- Now adjust the Brush height, so the Brushes just touch the top of the grass. To do this, loosen the Hand Knob at each Wheel Axle and move the Wheel up or down as necessary. Move the Wheel down to raise the Brush height, and up to lower the Brushes. Note the index marks on the front of the Hood, and set each Wheel the same height.

Your Sweeper is now ready to use.

## MAINTENANCE

Your Sweeper is equipped with Nylon Bearings and Nylon Gears, which require no lubrication. The Bag is made of material that is mildew proof. It is not fire proof, only fire resistant. Do not empty Bag over a fire.

## STORAGE

Clean Bag of any trash or dirt, wipe the Sweeper with a clean rag and hang it up by the Handle against a wall.

With a minimum of care, your Sweeper should give you years of service.

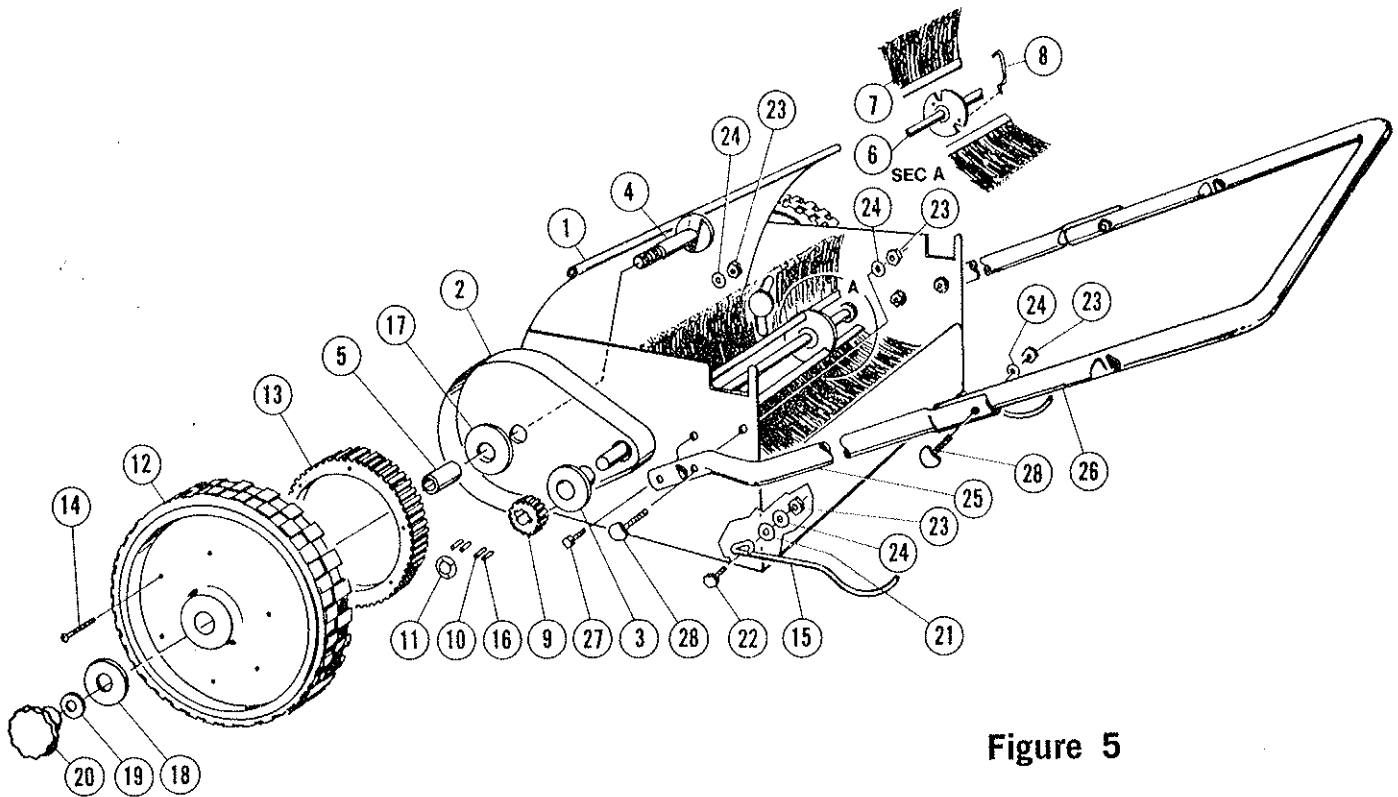


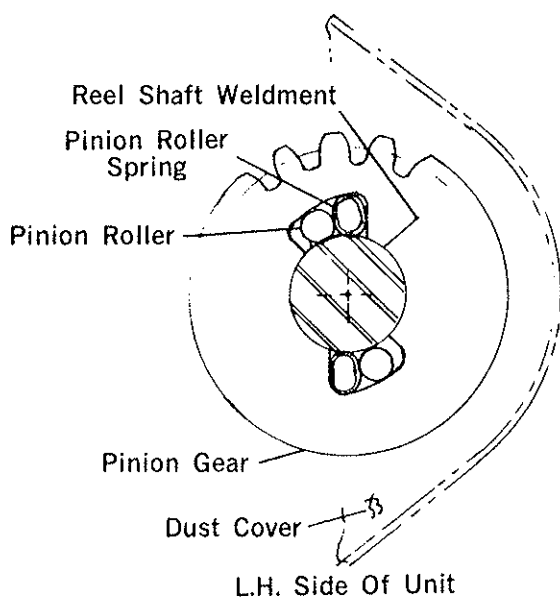
Figure 5

PARTS LIST

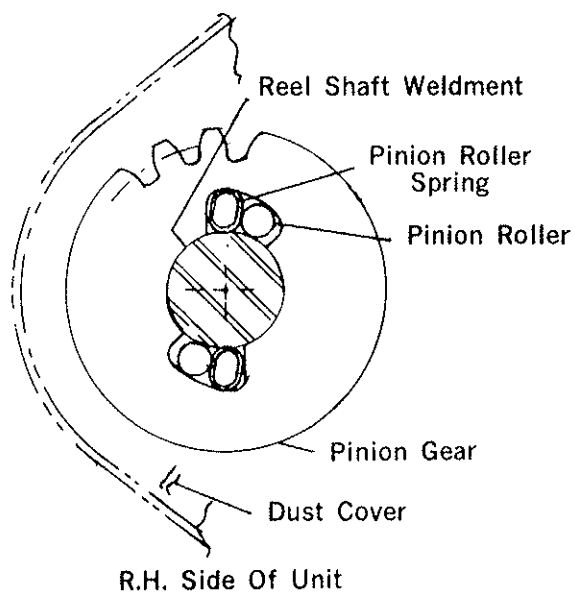
REF. PART NO.	REF. PART NO.	QTY. PER UNIT	DESCRIPTION	REF. PART NO.	REF. PART NO.	QTY. PER UNIT	DESCRIPTION
1	77-33-D	1	Chassis Weldment	15	76-20-B	2	Chassis Support
2	<del>76-05-C</del>	2	Dust Cover	16	<del>76-25-A</del>	4	Pinion Roller Spring
3	76-06-A	2	Reel Bearing	17	58-05-A	2	1/2" Flat Washer
4	76-07-A	2	Axle	18	76-36-A	2	5/16" Special Washer
5	76-19-A	2	Axle Spacer	19	935-516	2	5/16" Spring Lock Washer
6	77-36-D	1	Reel Shaft Weldment	20	<del>59-47-B</del>	2	Hand Wheel
7	1200-20- <del>B</del>	3	Brush Strip	21	945-416	2	1/4" Flat Washer
8	<del>74-40-A</del>	6	Brush Clamp Spring	22	65-416-12	2	Bolt 1/4-20 x 3/4 Hexagon Hd.
9	76-12-B	2	Pinion	23	335-416	8	Nut 1/4-20 Hexagon
10	<del>76-13-A</del>	4	Pinion Roller	24	935-416	8	1/4" Spring Lock Washer
11	76-14-A	2	Pinion Retainer	25	76-21-B	2	Lower Handle
12	<del>76-16-C</del>	2	Wheel	26	77-38-B	1	Upper Handle
13	<del>76-15-B</del>	2	Ring Gear	27	65-416-8	2	Bolt 1/4-20 x 1/2 Hexagon Hd.
14	76-24-A	12	Self Tapping Screw	28	69-416-16	4	Bolt 1/4-20 x 1 Contour Head

PARKER SWEEPER COMPANY Box 1728 Springfield, Ohio 45501

## ASSEMBLY INSTRUCTIONS



**Figure 6**



**Figure 6A**

### **FOR REPLACEMENT OF THE PINION GEAR, PINION ROLLER AND PINION ROLLER SPRING.**

If the Pinion Gear is removed from the Brush Shaft, make sure it is replaced correctly, or the Brush will not operate properly.

Fig. 6 is looking into the left side of the Unit. Be sure the Pinion Gear is in the shown position with the Pinion Rollers and Pinion Roller Spring positioned in the Pinion Gear Cam Slot as shown.

Fig. 6A is looking into the right side of the Unit. Be sure the Pinion Gear is in the shown position with the Pinion Rollers and Pinion Roller Spring positioned in the Pinion Gear Cam Slot as shown.

The Brush should rotate toward the operator when the Unit is pushed forward, and not rotate when the Unit is pulled backward if the Pinion Gear, Pinion Rollers and Pinion Roller Springs are correctly installed on both the right and left sides.

Order all parts from your nearest PARKER PARTS DISTRIBUTORS. If unable to locate the part from your Parts Distributor forward your order to PARKER SWEEPER COMPANY for handling.

PARKER SWEEPER COMPANY  
Post Office Box 1728  
Springfield, Ohio 45501  
Phone: 513-323-4901

Hart-Greer, Inc. 106 Distribution Dr. BIRMINGHAM, ALABAMA 35209	Ideal Mower Sales Inc. 811 Woodward Heights FERNDALE, MICH. 48910	Baltz & Son Co. 9817 East Burnside PORTLAND, OREGON 97216	R. L. Ryerson Company 5278 N. Port Washington Rd. MILWAUKEE, WISCONSIN 53217
Lawn & Garden Supply Co. 2222 N. 27th Ave. PHOENIX, ARIZONA 85701	Lorenz Service Company 2500 So. Pennsylvania Ave. LANSING, MICHIGAN 48910	Polson Company 208 S. E. Hawthorne Blvd. PORTLAND, ORE. 97214	Farm & Tiller Sales, Lyd. 1205 E. Hastings Street VANCOUVER, B.C., CANADA
Lawn & Garden Supply Co. 5455 So. Nogales Highway TUCSON, ARIZONA 85706	Ball Sales & Service Co. G-6200 N. Saginaw MT. MORRIS, MICHIGAN 48458	Lawn & Golf Supply Co. 647 Nutt Rd. PHOENIXVILLE, PA. 19460	Robertson Seeds, Ltd. 8118 - 103 Street EDMONTON, ALBERTA, CANADA
H.V. Carter Company 1700 East 14th St. OAKLAND, CALIFORNIA 94607	R. L. Gould Company 3711 N. Lexington Ave. ST. PAUL, MINN. 55112	Bluemont Co. 11125 Frankstown Road PITTSBURGH, PA. 15235	Morin Equipment Inc. 98 Industrial Park Road LONGUEUIL, QUEBEC, CANADA
Tarzana Mower & Engine Parts 6075 Reseda Blvd. RESEDA, CALIFORNIA 91335	Gunthers Service & Supply 7320 Wornall Rd. KANSAS CITY, MISSOURI 64114	Niemeyer Corp. 1135 Phoexisville Pike, Box 531 WEST CHESTER, PA. 19380	Morin Equipment, Inc. 2075 Branley STE-FOY, QUEBEC, CANADA
South Denver Lawn Eqpt. 527 West Evans DENVER, COLORADO 80223	Henzler, Inc. 2015 Lemay Ferry Rd. ST. LOUIS, MISSOURI 63125	Colonial Motor Co. 3219 Holmes St. DALLAS, TEXAS 77036	Duke Lawn Equipment 1184 Plains Road, East BURLINGTON, ONTARIO, CANADA
Zaun Equipment Inc. 1741 Hamilton St. JACKSONVILLE, FLA. 32210	PortHuron Machinery & Supply Co. P. O. Box 81708 LINCOLN, NEBRASKA 68508	Goldthwaite's of Dallas Inc. 2700 Forest Lane DALLAS, TEXAS 75234	
Florida Turf & Garden 7275 N. W. 64th St. MIAMI, FLA. 33166	McKee City Distributors Inc. 406 English Creek Ave. MCKEE CITY, NEW JERSEY 08232	Goldthwaite's of Houston Inc. 5703 Chimney Rock Rd.-Box 343 HOUSTON, TEXAS 77001	
Zaun Equipment Inc. 323 Gore St., West ORLANDO, FLA. 32806	George Smith & Sons Inc. 322 Broadway BETHPAGE, L.I., NEW YORK 11714	Watson Distributing Co. 6335 Southwest Freeway HOUSTON, TEXAS 75215	
Zaun Equipment Inc. 3032 44th Avenue, North ST. PETERSBURG, FLA. 33714	Grasslands Eqpt. & Irrigation 892 Troy Schenectady Rd. LATHAM, NEW YORK 12110	Goldthwaite's of Texas Inc. 10751 Sentinel SAN ANTONIO, TEXAS 78217	
Wislar & Company Inc. 4505 Mills Place, S.W. ATLANTA, GA. 30336	Henry W. O'Neil & Associates Inc. 410 No. Goodman St. ROCHESTER, N.Y. 14609	Watson Distributing Co. P. O. Box 17185 SAN ANTONIO, TEXAS 78217	
Geo. A. Davis 5440 Northwest Highway CHICAGO, ILL. 60630	E. J. Smith & Sons 4000 Golf Acres Dr. CHARLOTTE, N. C. 28201	A-1 Eng. & Mower Company 437 East 9th Street SALT LAKE CITY, UTAH 84111	
Plante's Lawn Eqpt. Inc. 4 Grant St. NORTH AURORA, ILL. 60542	Hayward Distributing Co. 460 Neilston St. COLUMBUS, OHIO 43215	Richmond Power Equipment Co., Inc. 1904 North Hamilton Street RICHMOND, VIRGINIA 23230	
T. E. Booher & Sons 1009 West State St. ALBANY, INDIANA 47320	Hershman's Inc. 12477 Benner Rd. RITTMAN, OHIO 44270	The Bently Company 4126 Airport Way, South SEATTLE, WASHINGTON 98108	
Louisville Cycle & Supply 400 Almond Ave. LOUISVILLE, KY. 40209	M.P.E. Sales Inc. 25850 Chardon Road CLEVELAND, OHIO 44143	Northwest Mower, Inc. 926 N. 165th Street SEATTLE, WASHINGTON 98133	
Morton B. Collins 300 Birnie Avenue SPRINGFIELD, MASS. 01170	Tri-County Sales & Service 15 North West Ave. YOUNGSTOWN, OHIO 44501	Polson Company 625 Lander Street SEATTLE, WASHINGTON 98134	
Frost Company 483 Wildwood St. WOLBURN, MASS. 01801	Wait Sales Company 406-10 S. Peoria, Box 1015 TULSA, OKLA. 74120	Polson Company East 210 Montgomery St. SPOKANE, WASHINGTON 99207	