



Electronic Service Manuals

This electronic document is provided as a service to our customers. We do not create the contents of the information contained in this document. Should you have detailed questions pertaining to the information contained in this document, you may contact Michco, or the manufacturer which provided the original information in this electronic deliverable. Michco's only part in this electronic deliverable was the electronic assembly process. By providing this manual on line we are not guaranteeing parts availability.

You may contact Michco through the following methods:

Phone (517) 484-9312 or (800) 331-3339

2011 N. High St. -- Lansing, Michigan -- 48906

Fax: (517) 484-9836

Email: CustServe@Michco.com

Web site: www.Michco.Com

Parts Web site: www.FloorMachineParts.Com

Order Parts on Line at:

www.FloorMachineParts.Com

Directly to Parts & Service:

By Email: **Shop@Michco.com**

By Fax: (517) 702-2041

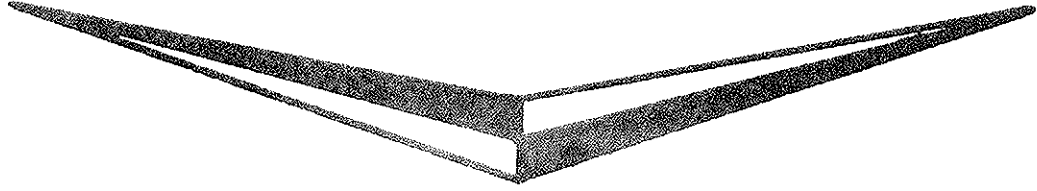
By Voice: Use numbers above.

Serving the Cleaning Industry Since 1922

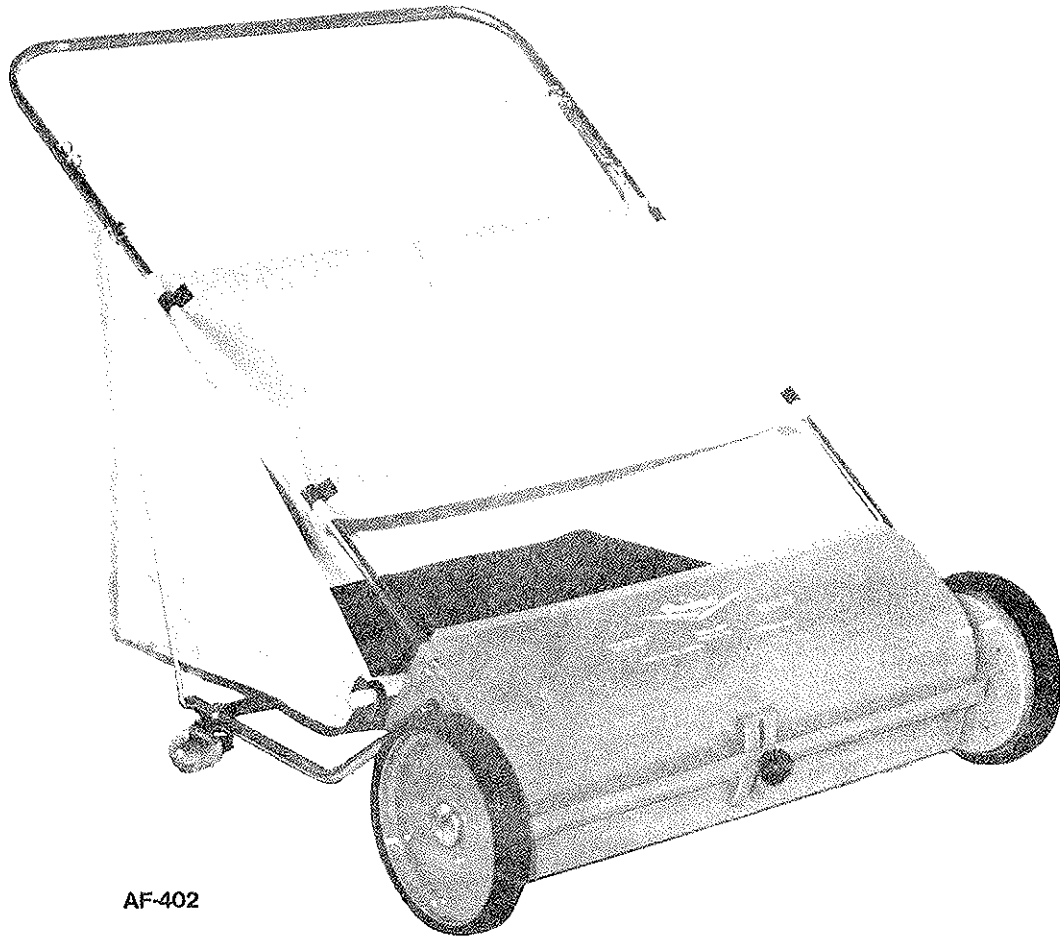
Notice: All copyrighted material remains property of original owners, all trademarks are property of respective owners. Manuals are subject to Manufacturer's reproduction limitations. Originals or reproductions were provided by manufacturers through a request. We make no warranty as to the correctness of information provided in this document and you assume all risk. By placing these manuals on line we are not declaring our corporation to be an manufacturer authorized dealer or provider, please check our web site for authorized manufacturers we represent.

OWNERS GUIDE


Parker®



SWEEP-A-LAWN **MODEL SL-8330**

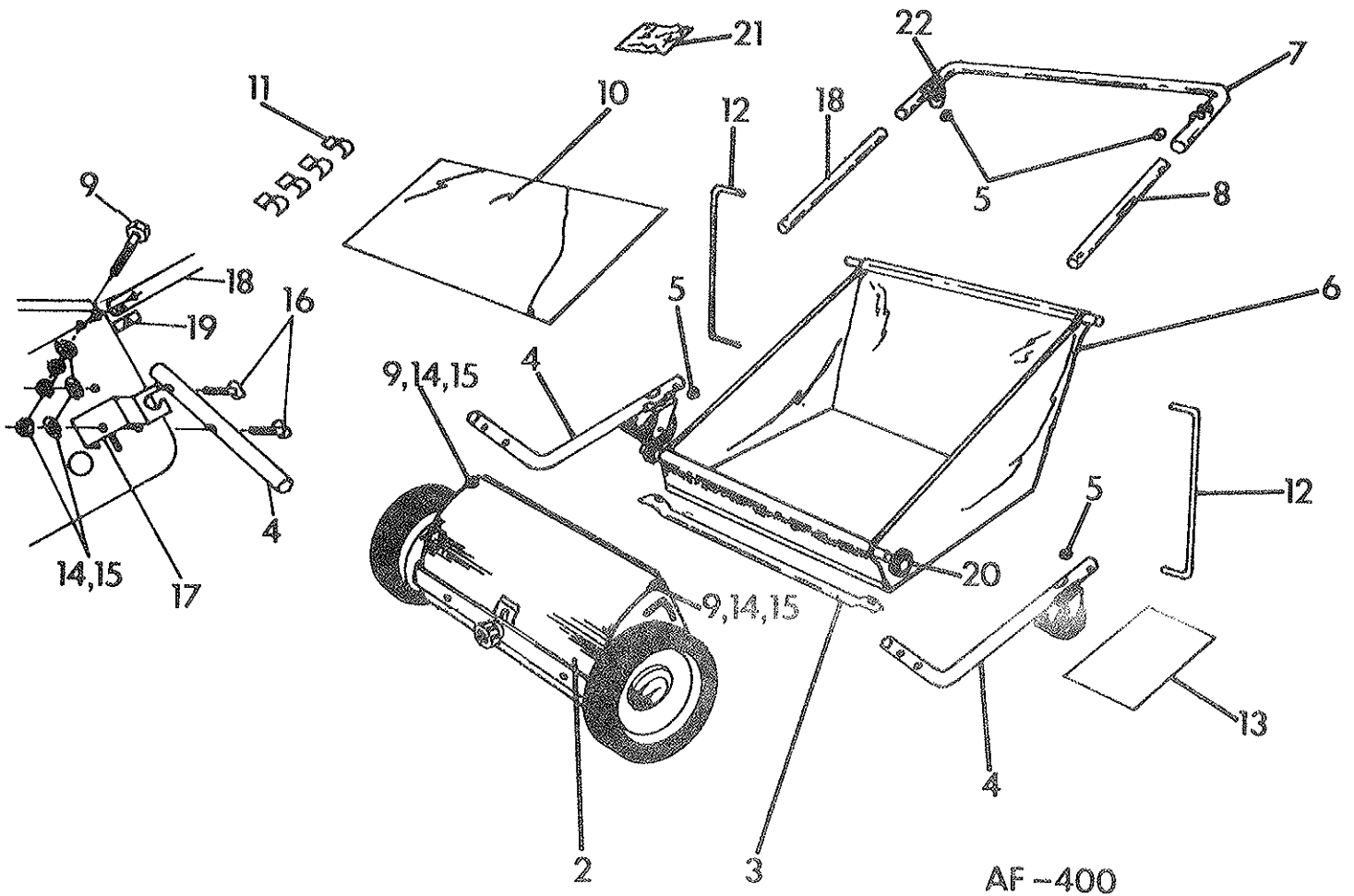


AF-402

PARKER SWEEPER COMPANY Box 1728 Springfield, Ohio 45501

Plate No. 830

UNPACKING INSTRUCTIONS



AFTER YOU HAVE UNPACKED THE CARTON, IDENTIFY THE FOLLOWING ITEMS:

- | | |
|---|--|
| <ol style="list-style-type: none"> 1. Tow Hitch 2. Sweeper Head Assembly 3. Cross Brace 4. Support Frames (2) 5. Retainers (4) 6. Basket Assembly 7. Upper Handle 8. Lower Handle L.H. 9. Hex. Hd. Bolts, 1/4-20 x 1 1/4 (2) 10. Wind Apron 11. Wind Apron Clips (4) 12. Braces (2) | <ol style="list-style-type: none"> 13. Owner's Manual 14. Hex Nuts, 1/4-20 (6) 15. Lockwashers, 1/4 (6) 16. Contour Bolts, 1/4-20 x 1 1/4 (4) 17. Wind Apron Brackets (2) 18. Lower Handle R.H. 19. Tube Clamps (2) 20. Rubber Washers (2) 21. Plastic Bag (contains items 5 and 11, and is stapled to item 13). 22. Basket Supports (2) |
|---|--|

TOOLS REQUIRED FOR ASSEMBLY:

1. 7/16" Wrench
2. 1/2" Wrench (2)

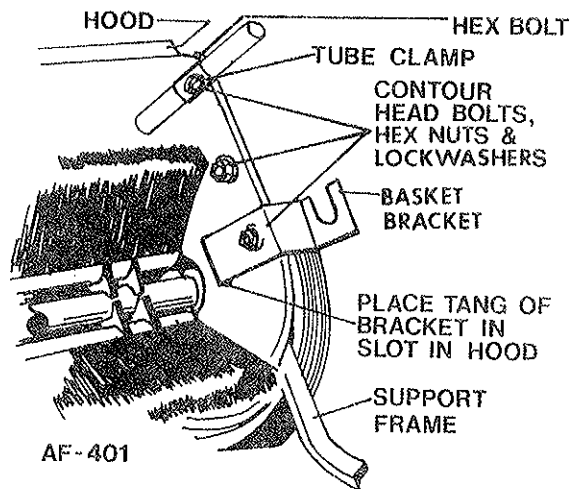
ASSEMBLY INSTRUCTIONS

Your Sweeper was packed at the factory in perfect condition. Remove the contents from the cartons but do not discard any cardboard parts until you have completely assembled the sweeper.

IMPORTANT! "Right" and "Left" hand parts are determined from the operator's walking position behind the unit.

Numbers used in assembly instructions refer to the numbers used in the unpacking instructions.

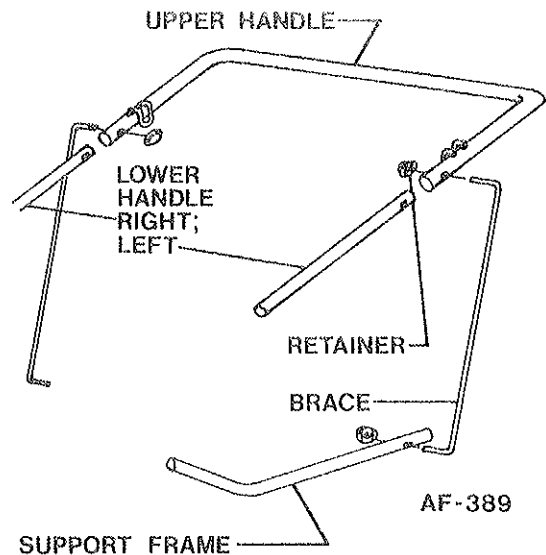
To assemble support frames and lower handles to sweeping head:



1. Remove 1/4-20 x 1 1/4 contour bolts, items 16, from both sides of hood.
2. Place support frames, items 4, next to hood. Align holes in hood with those in support frame and insert contour bolts, items 16.
3. Replace basket brackets, items 17, on the second bolt from end of support frame, making sure that short tang on the basket brackets fit properly through slot in hood.
4. Reassemble all lockwashers, items 15, and nuts, items 14, and tighten.
5. Remove nuts, items 14, lockwashers, items 15, and tube clamps, items 19, on inside of hood from hex bolts, items 9, but do not remove hex bolts from hood.
6. The right and left hand lower handles are determined by the following characteristics; the right hand lower handle, item 18, has round holes, and the left hand lower handle, item 8, has square holes.

7. Place the right hand lower handle onto hex bolt in right hand corner of hood. Replace and tighten hardware.
8. Place the left hand lower handle onto hex bolt in left hand corner of hood. Replace and tighten hardware.

To assemble upper handle to unit:



1. Slide upper handle, item 7, onto lower handles and align holes.
2. Insert braces, items 12, through aligned holes in handles.
3. Press retainers, items 5, onto protruding ends of braces.
4. Insert free end of braces through end holes of support frames, items 4, secure with press on retainers, items 5.

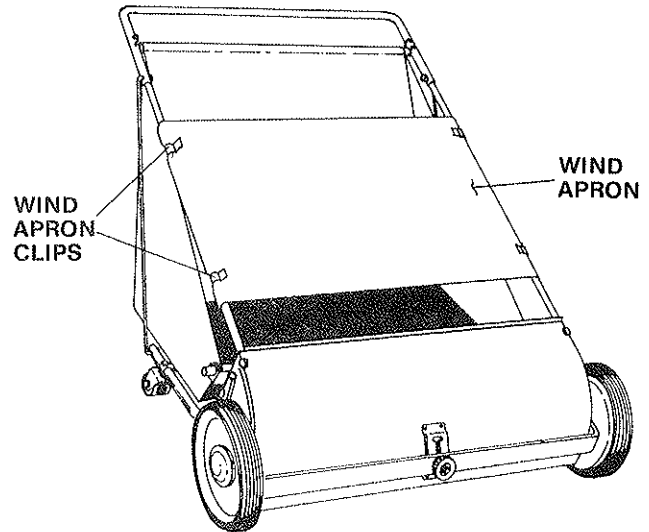
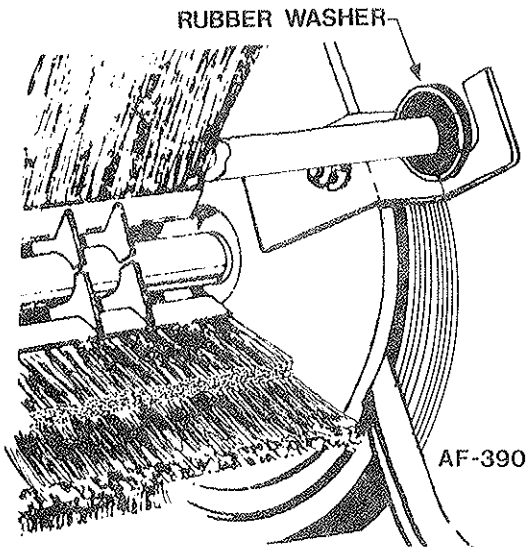
ASSEMBLY INSTRUCTIONS (Continued)

Numbers used in assembly instructions refer to the numbers used in the unpacking instructions.

To assemble basket to unit:

1. Place wooden basket rods in basket supports, items 22, on handle and basket brackets, items 17, attached to hood.
2. Press rubber washers, items 20, on the lower basket rod against the insides of the basket brackets.

NOTE: The compressed rubber washer will hold the rod in place while sweeping over rough ground.



AF-402

To attach wind apron:

1. Place wind apron, item 10, evenly across lower handles.
2. Adjust wind apron so the bottom is approximately 6" (inches) from the top of the hood.
3. Place wind apron clips, items 11, over wind apron and handle so straight tab is upward and in toward the center of wind apron.

IMPORTANT!

ALWAYS GIVE THE FOLLOWING INFORMATION WHEN ORDERING REPAIR PARTS:

1. PART NUMBER (Not Ref. No.)
2. QUANTITY NEEDED

3. DESCRIPTION OF PART
4. MODEL NO. SL-8330

If unable to obtain parts locally, write down above information and send to:
PARKER SWEEPER CO., BOX 1728, SPRINGFIELD, OHIO 45501-1728
Your unit is right (R.H.) or left hand (L.H.) as you stand behind it.

OPERATION AND MAINTENANCE INSTRUCTIONS

Your Sweeper is designed and constructed with heavy duty precision parts to stand up under the most rugged conditions. To maintain the efficiency of the Sweeper please follow these instructions:

1. Lubrication

Prior to each use place several drops of oil in the oil holes on the inside of each wheel cover. Frequent oiling will lengthen service life.

2. Basket Care

The basket should be emptied after each use, especially if the debris is damp.

3. Brush Removal

A. Turn the sweeper upside down on a workbench or the ground.

B. Notice the brush stud has a collar fitting against one of the brush brackets holding it against the reel shaft.

C. Remove the hex nuts and brush clamps from the end of all three studs, on the sides with the collar.

D. Remove the four brushes from the brush bracket slots.

E. Remove the hex nuts and brush clamps from the opposite end of the studs, but DO NOT remove the speed nut (this would allow the stud to fall out of reel shaft releasing the brush brackets).

4. To Replace Brushes

A. Turn the reel shaft so you can position the brush strips in the slots of the brush brackets that are held on the stud by the speed nut.

B. Proper orientation of the brushes when reassembled is to have the short reinforcement fibers behind (away from) the direction of rotation, with the longer fibers striking the material to be picked up, and the shorter fibers reinforcing the longer fibers. This produces a flipping action that propels the material to the back of the basket.

C. Position the brush clamps and finger tighten hex nuts. Be sure brushes are all the way down in all the brush brackets.

D. Space brushes evenly at the middle bracket so both brushes butted together will be held properly by the clamp.

E. Turn the reel shaft so the installed brush strips are on the bottom.

F. Repeat the sequence of installation for the remaining four brushes.

G. Tighten all nuts.

5. Pinions

The pinions should not be removed from the reel shaft unless the pinions or rollers are suspected of being broken or having excessive wear. If removal is necessary:

A. Remove cotter pin, wheel and washers from the axle.

B. Slide pinions off shaft slowly, being sure not to lose rollers and plastic tubes which will become displaced or fall out when pinion is removed from shaft.

C. To re-install pinions refer to next page in this manual on "HOW TO RE-INSTALL PINIONS."

6. Brush Height Adjustment

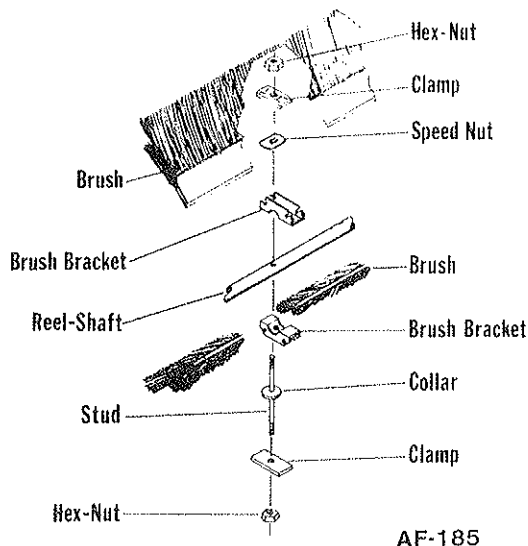
A. Correct brush setting will have the brushes touching the top of the grass. To clean sidewalks or driveways lower the brushes until just touching surface of pavement.

B. Loosen adjusting knob holding frame assembly to hood.

C. Hold hood and slide frame assembly up, to lower brushes, or down, to raise brushes.

D. Tighten adjusting knob.

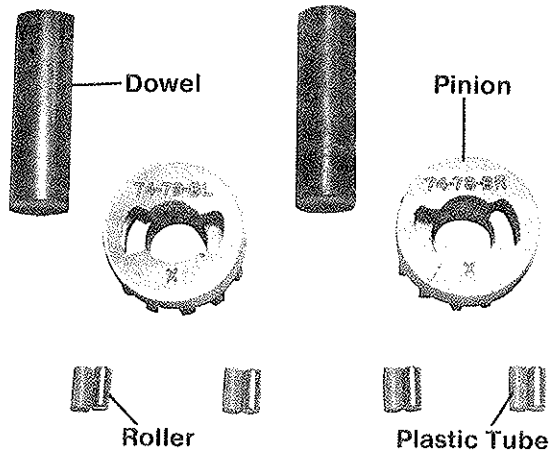
Your Sweeper is now ready to use.



HOW TO RE-INSTALL PINIONS IN MANUAL OR TRAILING SWEEPERS

If for some reason you have found it necessary to remove the pinions, you should carefully follow these instructions. All parts must be clean before assembling.

- (1) To assist you, we suggest using a piece of wood doweling or plastic material $\frac{5}{8}$ " diameter, 2" long as shown. Each pinion is different as indicated by the part number and must be returned to the correct side of the shaft.

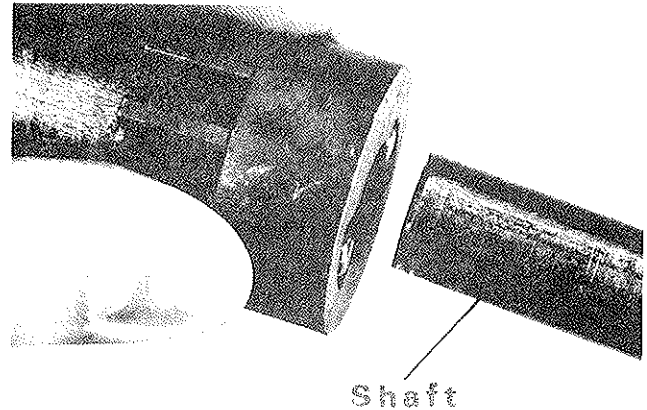


- (2) Insert the wooden dowel into the pinion.
- (3) Identify your pinion part number and insert the metal rollers. Place the plastic tubing in the cavity between the metal roller and the wall of the cavity. You may have to force the plastic tubing into this space but it is resilient and is supposed to fit tightly.

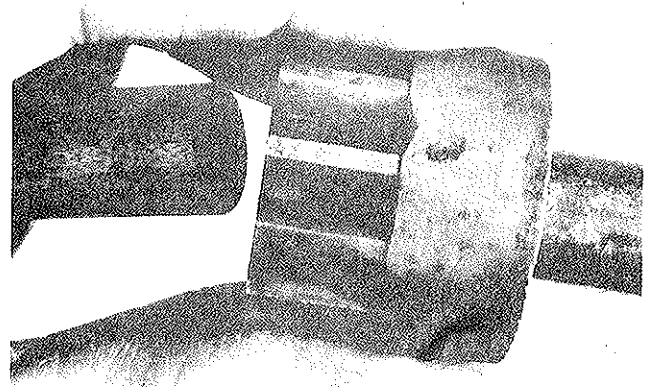


NOTE! The right and left side are determined from the operators position.

- (4) Pinion with part number **74-79 BL** is to be replaced on the **left side** of the shaft. Part number **74-78 BR** is for the **right side**. Line up the pinion (leaving the dowel in place) with the shaft as shown.

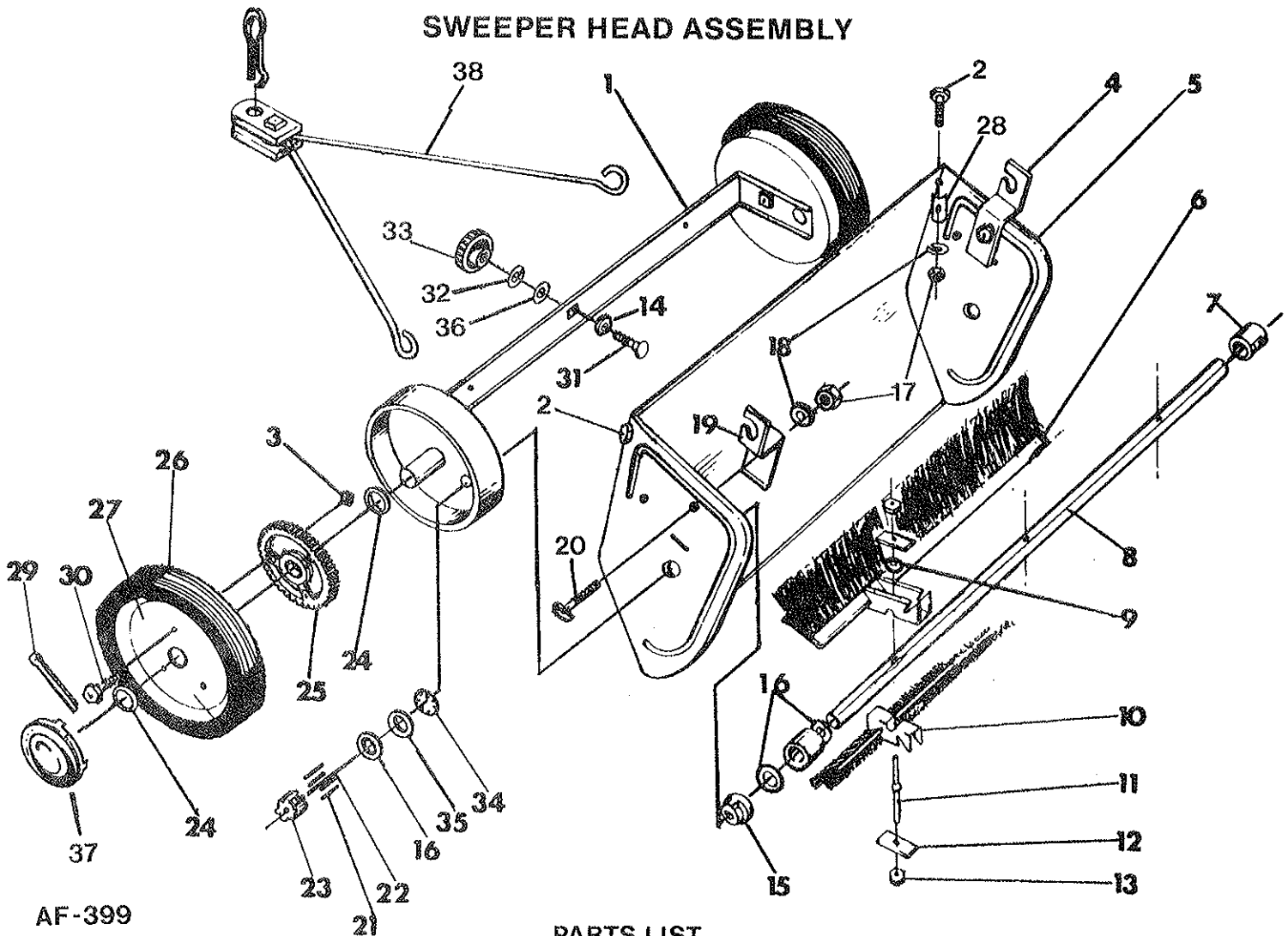


- (5) Push the pinion onto the shaft which will force the dowel to back out of the pinion. This will leave the rollers and plastic tubes in their proper position.



- (6) Apply a coating of grease on the outside of the wheel gear teeth. Do not grease inside pinion as this will cause pawl springs to be ineffective.

SWEeper HEAD ASSEMBLY

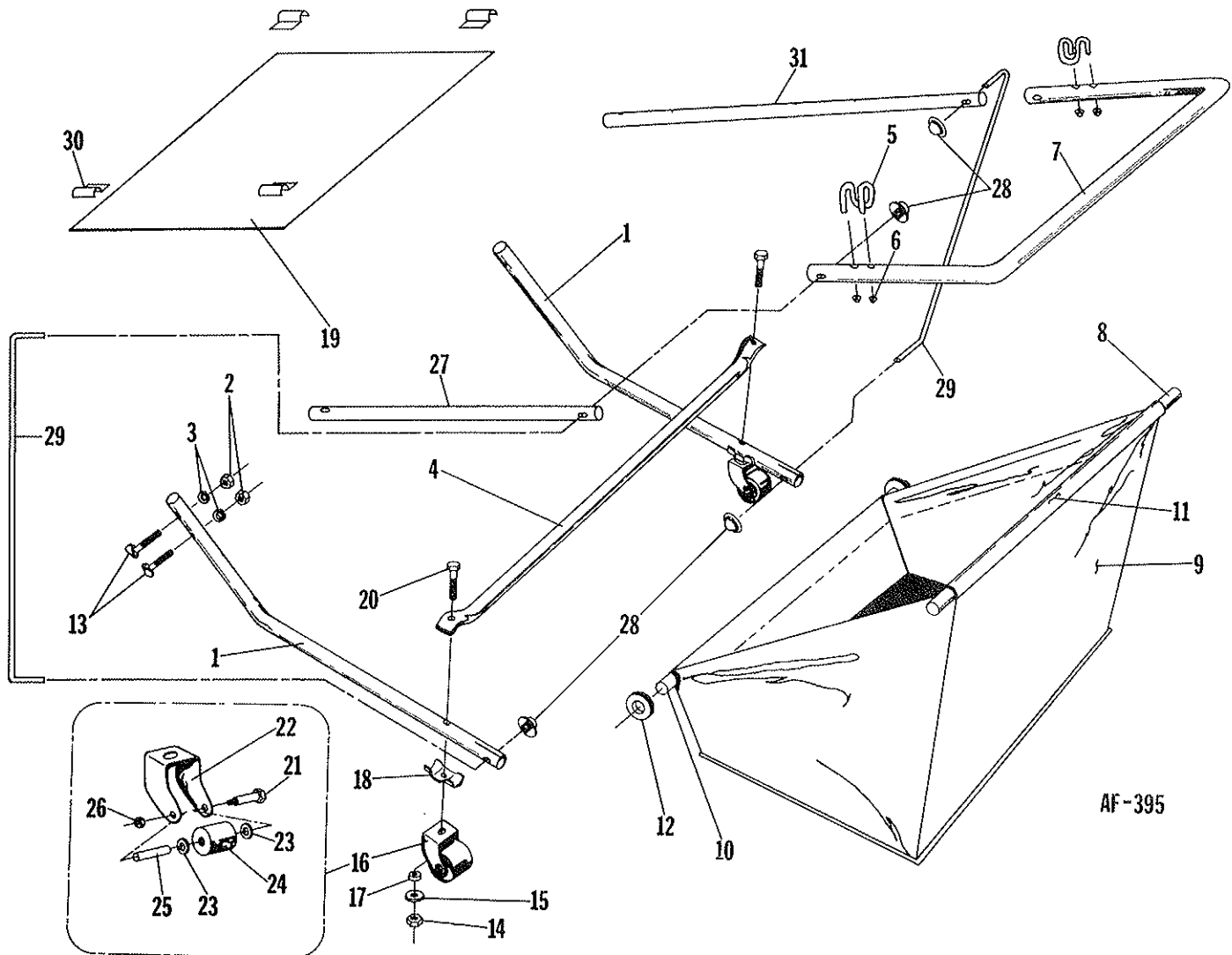


AF-399

PARTS LIST

Ref. No.	Part No.	Qty. Per Unit	Description	Ref. No.	Part No.	Qty. Per Unit	Description
1	78-174-D	1	Frame Assembly	21	74-80-A	4	Pawl
2	65-416-20	2	Bolt, Hex. Hd. 1/4-20 x 1 1/4	22	76-37-A	4	Roller Spring
3	355-416	6	Square Nut 1/4-20	23	74-78-RB	1	Pinion R.H. (Not Shown)
4	62-99-RB	1	R.H. Basket Bracket	23	74-79-LB	1	Pinion L.H.
5	82-209-C	1	Hood Assembly	24	946-1216-20	4	Fiber Washer 3/4"
6	1400-15-B	8	Brush Assembly	25	59-26-B	2	Gear
7	78-17-A	2	Reel Spacer	26	82-161-C	2	Tire
8	78-32-B	1	Reel Shaft	27	59-20-C	4	Wheel Rim
9	75-89-A	3	Stud Retainer	28	59-77-A	2	Tube Clamp
10	74-13-C	6	Brush Bracket	29	380-332-16	2	Cotter Pin 3/32 x 1
11	74-16-A	3	Brush Stud	30	79-41-A	6	Screw, Whiz Lock, 1/4-20 x 1/2
12	69-04-A	6	Brush Clamp	31	70-516-16	1	Carriage Bolt 5/16-18x1
13	365-416	6	Hex Lock Nut 1/4-20	32	935-516	1	Spring Lock Washer 5/16
14	946-816-16	1	Fiber Washer 1/2	33	79-94-A	1	Adjusting Knob
15	69-233-A	2	Reel Shaft Bushing	34	79-104-A	2	Retainer Ring
16	50-33-A	6	Special Washer 5/8"	35	946-1016-16	2	Fiber Washer 5/8"
17	335-416	6	Hex Nut 1/4-20	36	945-516	1	Flat Washer 5/16
18	935-416	6	Spring Lock Washer 1/4"	37	59-46-A	2	Hub Cap
19	62-100-LB	1	L.H. Basket Bracket	38	MA-503-B		Hitch Kit (Optional, available as an accessory)
20	69-416-20	4	Contour Bolt 1/4-20x1 1/4				

FRAME AND BASKET ASSEMBLY



PARTS LIST

Ref. No.	Part No.	Qty. Per Unit	Description	Ref. No.	Part No.	Qty. Per Unit	Description
1	82-208-B	2	Support Frame	18	79-174-A	2	Pivot Block
2	335-416	4	Hex Nut 1/4-20	19	82-240-B	1	Wind Apron
3	935-416	4	Spring Lock Washer 1/4"	20	65-516-28	2	Hex Head Bolt 5/16-18x1 1/4
4	82-205-B	1	Handle Crossbar	21	65-416-44	2	Hex Head Bolt 1/4-20x2 1/2
5	80-110-A	2	Basket Support	22	78-55-B	2	Caster Fork
6	77-10-A	4	Pushnut 3/16	23	945-616	4	Flatwasher 3/8"
7	82-204-C	1	Upper Handle	24	78-56-B	2	Roller
8	78-38-A	1	Upper Basket Rod	25	78-65-A	2	Roller Bushing
9	82-238-C	1	Basket Assembly	26	365-416	2	Hex Lock Nut 1/4-20
10	78-37-A	1	Lower Basket Rod	27	82-206-C	1	Lower Handle L.H.
11	82-236-A	1	Staple		82-243-A	1	Owner's Guide (Not Shown)
12	78-162-A	2	Rubber Washer		76-453-A	1	Warranty Card (Not Shown)
13	69-416-20	4	Contour Bolt 1/4-20x1 1/4	28	59-45-A	4	Retainer
14	365-516	2	Hex Lock Nut 5/16-18	29	82-214-A	2	Brace
15	50-230-A	2	Special Washer	30	82-229-A	4	Clip
16	SA-706-B	2	Caster Assembly	31	82-233-C	1	Lower Handle R.H.
17	74-126-A	2	Spacer				

Order all parts from your nearest PARKER PARTS DISTRIBUTORS. If unable to locate the part from your Parts Distributor, forward your order to PARKER SWEEPER COMPANY for handling.

Hart-Greer, Inc.
900 N. 24th St.
BIRMINGHAM, AL 35203

Lawn & Garden Supply Co.
2222 N. 27th Ave.
PHOENIX, AZ 85017

Lawn & Garden Supply Co.
5455 S. Nogales Highway
TUCSON, AZ 85706

H. V. Carter Company
1700 E. 14th St.
OAKLAND, CA 94606

Tarzana Mower & Engine Parts,
Inc.
6075 Reseda Blvd.
RESEDA, CA 91335

Colorado Outdoor Equip., Inc.
527 W. Evans
DENVER, CO 80223

Zaun Equipment, Inc.
1741 Hamilton St.
JACKSONVILLE, FL 32210

Florida Turf & Garden
7275 N. W. 64th St.
MIAMI, FL 33166

Zaun Equipment, Inc.
1140 S. Rio Grande Ave.
ORLANDO, FL 32806

Debra Turf & Industrial Equip. Co.
5921 N. Oak St.
HOLLYWOOD, FL 33021

Debra Turf & Industrial Equip. Co.
6025 U. S. HWY. 301
TAMPA, FL 33610

Snapper Equipment Distributor
204 E. Buffalo Ave.
TAMPA, FL 33603

Lawn & Turf, Inc.
Hwy. Interstate 20, East
CONYERS, GA 30207

Boyd Martin Co.
4554 Chinden Blvd.
BOISE, ID 83704

Geo. A. Davis
5440 Northwest Highway
CHICAGO, IL 60630

Plante's Lawn Equipment, Inc.
4 Grant St.
NORTH AURORA, IL 60542

T. E. Booher & Sons
1009 W. State St.
ALBANY, IN 47320

Bruce Engine, Inc.
1791 N. W. 86th St.
DES MOINES, IA 50322

Morton B. Collins
300 Birnie Ave.
SPRINGFIELD, MA 31106

Frost Company
483 Wildwood St.
WOBURN, MA 01801

Ideal Mower Sales, Inc.
811 Woodward Heights
FERNDALE, MI 48220

Lorenz Service Company
2500 S. Pennsylvania Ave.
LANSING, MI 48220

Power Equipment Distributors, Inc.
340 N. Hubbard
MT. CLEMENS, MI 48043

R. L. Gould Company
3711 N. Lexington Ave.
ST. PAUL, MN 55112

Hance Distributors
420 Excelsior Ave., W.
HOPKINS, MN 55343

Gunthers Service & Supply
7320 Wornall Rd.
KANSAS CITY, MO 64114

Henzler, Inc.
2015 Lemay Ferry Rd.
ST. LOUIS, MO 63125

Port Huron Machinery & Supply
801 Q St.
LINCOLN, NE 68508

George Smith & Sons, Inc.
322 Broadway
BETHPAGE, L.I., NY 11714

Grasslands Equip. & Irrigation
892 Troy Schenectady Rd.
LATHAM, NY 12110

Henry W. O'Neil & Associates, Inc.
410 N. Goodman St.
ROCHESTER, NY 14609

The Messenger Company, Inc.
374 Avery St.
ROCHESTER, NY 14606

American Hdwe. & Equip.
3940 Greensboro St.
CHARLOTTE, NC 28206

Hayward Distributing Co.
460 Neilston St.
COLUMBUS, OH 43215

Schroeder Sales & Service, Inc.
1144 Harrison Ave.
HARRISON, OH 45030

Hershman's, Inc.
12477 Benner Rd.
RITTMAN, OH 44270

Parker Sweeper Company
P.O. Box 1728
SPRINGFIELD, OH 45501
Phone: 513-323-4901

M. P. E. Sales, Inc.
25850 Chardon Rd.
CLEVELAND, OH 44143

Tri-County Sales & Service
15 North West Ave.
YOUNGSTOWN, OH 44502

Wait Sales Company
406-10 S. Peoria, Box 1015
TULSA, OK 74120

Baltz & Son Co.
9817 E. Burnside
PORTLAND, OR 97216

Monroe Machinery & Supplies, Inc.
1421 S. E. Gidson St.
PORTLAND, OR 97242

Lawn & Golf Supply Co.
647 Nutt Rd.
PHOENIXVILLE, PA 19460

Gardenville Supply Co., Inc.
Route 611
PIPERSVILLE, PA 18947

Bluemont Co.
11125 Frankstown Rd.
PITTSBURGH, PA 15235

Niemeyer Corp.
1135 Phoenixville Pike, Box 531
WEST CHESTER, PA 19380

Fidelity Sales Corp.
6331 Baum Dr.
KNOXVILLE, TN 37919

Fidelity Sales Corp.
447 E. Market St.
KINGSPORT, TN 37662

Fidelity Sales Corp.
6044 Lee Highway
CHATTANOOGA, TN 37421

Goldthwaite's of Dallas, Inc.
2700 Forest Ln., Box 34660
DALLAS, TX 75234

Goldwaite's of Ft. Worth
1401 Foch St.
FT. WORTH, TX 76107

Goldwaite's of Houston, Inc.
220 Fariss
HOUSTON, TX 77025

Goldwaite's of Texas, Inc.
10751 Sentinel
SAN ANTONIO, TX 78217

Boyd Martin Company
1260 N. W. Temple
SALT LAKE CITY, UT 84116

Wetzel Seed Co.
941 N. Liberty
HARRISONBURG, VA 22801

The Bentley Company
4126 Airport Way, S.
SEATTLE, WA 98108

Northwest Mower, Inc.
926 N. 165th St.
SEATTLE, WA 98133

Interstate Radiator &
Lawn Mower Co.
1611 4th Ave.
CHARLESTON, WV 25312

R. L. Gould
344 Berger St.
GREEN BAY, WI 54302

Hoffars Sales, Ltd.
14251 Burrows Rd.
RICHMOND, B.C., CANADA
V6V 1K9

Fallis Turf Equip., Ltd.
11951 Forge Place
RICHMOND, B.C., CANADA
V7A 4V9

Robertson Seed, Ltd.
9241 48th St.
EDMONTON, ALBERTA,
CANADA T6B 2R9

Morin Equipment, Inc.
90 Rue D'Amvers
Parc Industriel
ST. AUGUSTIN, QUEBEC,
CANADA G0A 3E0

Morin Equipment, Inc.
270 Ave. Du
Parc Industriel
LONGUEVILLE, MONTREAL,
CANADA J4H 3V6

Uniquip Canada Ltd.
2813 Botham
MONTREAL, QUEBEC,
CANADA H4S 1H8

Duke Lawn Equipment
1184 Plains Rd., East
BURLINGTON, ONTARIO,
CANADA L7S 1W6

Uniquip Canada, Ltd.
6295 Shawson Dr., Unit 8
MISSISSAUGA, ONTARIO,
CANADA L5T 1H4

