



## Electronic Service Manuals

This electronic document is provided as a service to our customers. We do not create the contents of the information contained in this document. Should you have detailed questions pertaining to the information contained in this document, you may contact Michco, or the manufacturer which provided the original information in this electronic deliverable. Michco's only part in this electronic deliverable was the electronic assembly process. By providing this manual on line we are not guaranteeing parts availability.

You may contact Michco through the following methods:

Phone (517) 484-9312 or (800) 331-3339

2011 N. High St. -- Lansing, Michigan -- 48906

Fax: (517) 484-9836

Email: [CustServe@Michco.com](mailto:CustServe@Michco.com)

Web site: [www.Michco.Com](http://www.Michco.Com)

Parts Web site: [www.FloorMachineParts.Com](http://www.FloorMachineParts.Com)

Order Parts on Line at:

**[www.FloorMachineParts.Com](http://www.FloorMachineParts.Com)**

Directly to Parts & Service:

By Email: **[Shop@Michco.com](mailto:Shop@Michco.com)**

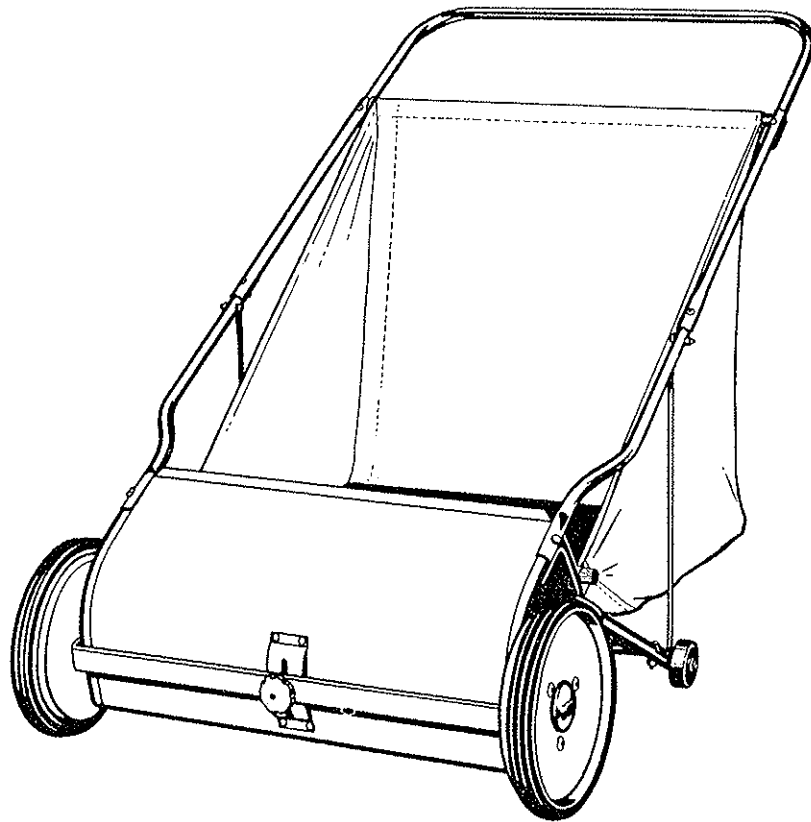
By Fax: (517) 702-2041

By Voice: Use numbers above.

**Serving the Cleaning Industry Since 1922**

Notice: All copyrighted material remains property of original owners, all trademarks are property of respective owners. Manuals are subject to Manufacturer's reproduction limitations. Originals or reproductions were provided by manufacturers through a request. We make no warranty as to the correctness of information provided in this document and you assume all risk. By placing these manuals on line we are not declaring our corporation to be an manufacturer authorized dealer or provider, please check our web site for authorized manufacturers we represent.

**OPERATING INSTRUCTIONS AND PARTS LIST**  
**FOR**  
**SL-10**  
**25" LAWN SWEEPER**



NOTICE: We recommend that the user of our LAWN SWEEPER read all instructions carefully before assembling and operating the Sweeper to obtain the best results. While reading assembly instructions study the assembled view and also the exploded view as to the location and arrangement of parts.

**MIAMI, INC.**

Box 295

SPRINGFIELD, OHIO

DIVISION OF PARKER SWEEPER COMPANY

## ASSEMBLY INSTRUCTIONS

1. Install the lower right hand handle section, Ref. No. 41, to the right side of the sweeper hood, Ref. No. 14, with hex head bolt, Ref. No. 10, and square nut, Ref. No. 9, the square nut fits under the hood and fits into the corner. The right hand side of the sweeper is to your right when standing in the operating position looking forward towards the sweeper unit.
2. Install the lower left hand handle section, Ref. No. 48, to the left side as above.
3. Assemble the lower left hand basket bracket, Ref. No. 25, also a rear roller support tube, Ref. No. 46, to the sweeper hood, Ref. No. 14. The bracket must be to the inside with the hook end up so that the bracket will rest into the groove, the roller support tube will be to the outside as shown. Fasten these parts to the sweeper hood with the round head screw, Ref. No. 8, lock washer, Ref. No. 7, and nut, Ref. No. 12. Notice the arrangement of this hardware; the round head screw, Ref. No. 8, must have the head to the inside and the nut to the outside as shown in the exploded view and the Section View.
4. Assemble the lower right hand basket bracket, Ref. No. 42, and the other rear roller support to the sweeper hood as above.

5. Assemble the cross support bar, Ref. No. 45, to the rear roller supports use hardware, Ref. No. 6, Ref. 7, and Ref. No. 12. Have the cross bar and screw head on the top side of the roller support tubes. See the Section View for detail.

6. Assemble the rear rollers and handle supports to the roller support tube as shown in the Section View.

7. Assemble the center handle sections, Ref. No. 39, to the lower sections, Ref. No. 48 and 41. Assemble the handle supports, Ref. No. 40, to the handle as shown in detail, see Section View.

8. Assemble the upper handles, Ref. No. 1, to the handle sections. Also assemble the upper baskets brackets, Ref. No. 3, to the handle as shown in the exploded view, make sure that openings that receive the basket rod is upwards.

9. Straighten the basket form wires, Ref. No. 44, so they are square. Insert one of them into the canvas basket bottom slots, starting from the rear; the other from the front of the basket bottom as shown. **MAKE SURE WIRES ARE TO INSIDE OF BASKET.**

## OPERATING INSTRUCTIONS

### ADJUSTING BRUSH HEIGHT

The adjustment of this sweeper is very important for its ease of operation.

The adjustment of brushes is controlled by the knurled knob in front of sweeper unit. This adjustment will automatically set the hood assembly to the correct position with your brush height selection. The large adjustment range is designed to compensate for brush wear.

1. For grass clippings that just have been cut or loose leaves, adjust brushes to within  $\frac{1}{2}$ " above the grass.
2. Patio, Sidewalk and Driveway Sweeping — adjust brushes to touch cement.

**NOTE:** If sweeper pushes hard, the brushes are set too low.

### LUBRICATION

Lubricate the sweeper about once each season to insure long unit life and easy operation.

1. Oil the wheel gears and pinion gears through oil hole on each side of wheel hub.
2. It is not necessary to oil nylon brush bearings.

### CARE AND REPLACEMENT OF BRUSHES

The brushes used on this sweeper are made of the finest bristles that will give years of service if given proper care.

Should they become bent from constant use, dampening and straightening will reset the bristles upright. It is also possible to straighten bristles by reversing the brushes on the reel shaft.

To reverse or replace brushes:

1. Turn the sweeper upside down on the ground.
2. Remove the bolts which hold the brush sections to the reel shaft. Reverse and replace the brushes and retighten the bolts.

### CANVAS BASKET CARE

The canvas will give longer life if it is never compressed or stored when wet or damp. Allow the canvas to dry thoroughly in upright position before storing.

### STORAGE

You can hang the sweeper on the wall by the upper handle for storage.

# ALWAYS GIVE THE FOLLOWING INFORMATION WHEN ORDERING REPAIR PARTS

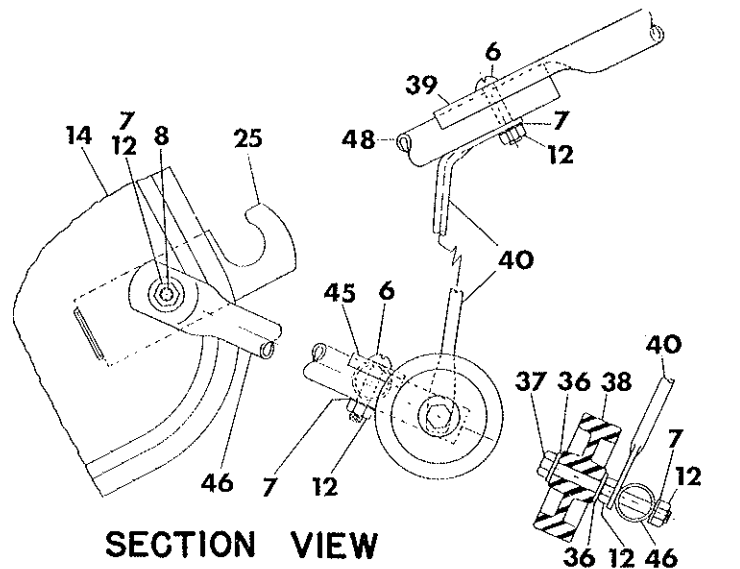
Order all parts from your nearest dealer.

1. Part Number, Quantity and Fig. No.
2. Model Number (found on L. H. Side Plate and Hood).
3. Year, Model, Serial Number (found on Guarantee Card).

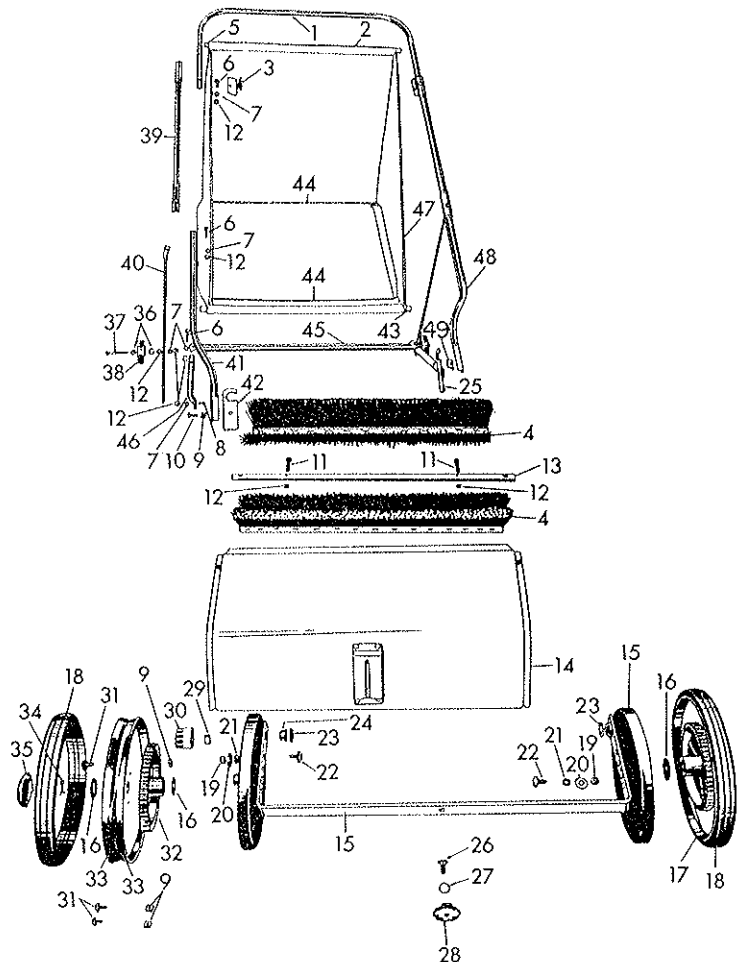
Your unit is right hand (R. H.) or left hand (L. H.) as you stand behind it.

## PARTS LIST

Ref. No.	Part No.	Description	No. Req'd
1	<del>60-104C</del>	Upper Handle	1
2	<del>60-109D</del>	Basket Assembly	1
3	<del>60-26B</del>	Bracket — Upper — Basket	2
4	<del>52-141D</del>	Brush Assembly <b>BK-12</b>	2
5	<del>60-105A</del>	Dowel — Top Basket	1
6	<del>*515-416-20</del>	Screw — Round Head $\frac{1}{4}$ -20 x $1\frac{1}{4}$	6
7	<del>*936-416</del>	Lock Washer — Internal Tooth	10
8	<del>*515-416-8</del>	Screw — Round Head $\frac{1}{4}$ -20 x $\frac{1}{2}$	2
9	<del>*355-416</del>	Nut — Square $\frac{1}{4}$ -20	8
10	<del>*65-416-12</del>	Screw — Hex Head $\frac{1}{4}$ -20 x $\frac{3}{4}$	2
11	<del>*515-416-24</del>	Screw — Round Head $\frac{1}{4}$ -20 x $1\frac{1}{2}$	2
12	<del>*355-416-1</del>	Stamp Nut $\frac{1}{4}$ -20	14
13	<del>52-140B</del>	Reel Shaft	1
14	<del>59-48F</del>	Hood Assembly	1
15	<del>59-43D</del>	Frame Assembly	1
16	<del>946-1316-20</del>	Washer — Fiber	4
17	<del>59-44C</del>	Wheel Assembly	2
18	<del>54-197B</del>	Tire <b>63-224-B</b>	2
19	<del>*335-516</del>	Nut — Hex $\frac{3}{16}$ -18	2
20	<del>*945-516</del>	SAE — Flat Washer	2
21	<del>59-29A</del>	Spacer	2
22	<del>59-55A</del>	Screw — Truss Head — Sems	2
23	<del>55-161A</del>	Washer — Special	2
24	<del>60-12A</del>	Bearings — Nylon	2
25	<del>60-97LB</del>	Bracket — Lower Basket	1
26	<del>*70-516-12</del>	Carriage Bolt $\frac{5}{16}$ -18 x $\frac{3}{4}$	1
27	<del>936-716</del>	Lock Washer — Internal Tooth — Thin	1
28	<del>59-47B</del>	Knob — Adjusting	1
29	<del>45-25A</del>	Pawl	2
30	<del>45-18RA</del>	Pinion — Right Hand	1
31	<del>45-19LA</del>	Pinion — Left Hand	1
32	<del>59-54A</del>	Screw — Truss Head — <b>79-41-A</b>	6
33	<del>59-26E P</del>	Phillips — Sems	2
34	<del>59-20C</del>	Gear — Wheel	2
35	<del>59-12</del>	Rim — Wheel	4
36	<del>59-48A</del>	Retaining Ring	2
37	<del>945-416</del>	Hub Cap	2
38	<del>65-416-40</del>	SAE Flat Washer $\frac{1}{4}$ $\frac{1}{4}$ -20 x $2\frac{1}{2}$	4
39	<del>47-44A-1</del>	Screw — Hex Head	2
40	<del>60-103B</del>	Roller — Plastic	2
41	<del>60-28B</del>	Handle — Center Section	2
42	<del>60-102RB</del>	Handle Support	2
43	<del>60-96RB</del>	Handle — Lower Section — Right Hand	1
44	<del>60-107A</del>	Bracket — Lower Basket — Right Hand	1
45	<del>60-105C</del>	Dowel — Lower Basket	1
46	<del>60-100B</del>	Wire — Basket Form	2
47	<del>60-99B</del>	Support — Cross Bar	1
48	<del>60-108D</del>	Support — Rear Wheel	2
49	<del>60-101B</del>	Canvas — Basket	1
50	<del>60-101B</del>	Handle — Lower Section — Left Hand	1
51	<del>59-77A</del>	Clamp	2



SECTION VIEW



\*Standard Hardware Items may be purchased locally.

## MIAMI, INC.

Box 295

SPRINGFIELD, OHIO

