



## Electronic Service Manuals

This electronic document is provided as a service to our customers. We do not create the contents of the information contained in this document. Should you have detailed questions pertaining to the information contained in this document, you may contact Michco, or the manufacturer which provided the original information in this electronic deliverable. Michco's only part in this electronic deliverable was the electronic assembly process. By providing this manual on line we are not guaranteeing parts availability.

You may contact Michco through the following methods:

Phone (517) 484-9312 or (800) 331-3339

2011 N. High St. -- Lansing, Michigan -- 48906

Fax: (517) 484-9836

Email: [CustServe@Michco.com](mailto:CustServe@Michco.com)

Web site: [www.Michco.Com](http://www.Michco.Com)

Parts Web site: [www.FloorMachineParts.Com](http://www.FloorMachineParts.Com)

Order Parts on Line at:

**[www.FloorMachineParts.Com](http://www.FloorMachineParts.Com)**

Directly to Parts & Service:

By Email: **[Shop@Michco.com](mailto:Shop@Michco.com)**

By Fax: (517) 702-2041

By Voice: Use numbers above.

**Serving the Cleaning Industry Since 1922**

Notice: All copyrighted material remains property of original owners, all trademarks are property of respective owners. Manuals are subject to Manufacturer's reproduction limitations. Originals or reproductions were provided by manufacturers through a request. We make no warranty as to the correctness of information provided in this document and you assume all risk. By placing these manuals on line we are not declaring our corporation to be an manufacturer authorized dealer or provider, please check our web site for authorized manufacturers we represent.

# POWER CHIEF

## SWEEPER UNIT AND ENGINE ASSEMBLY

### MODEL PC-7625

SECTION 3

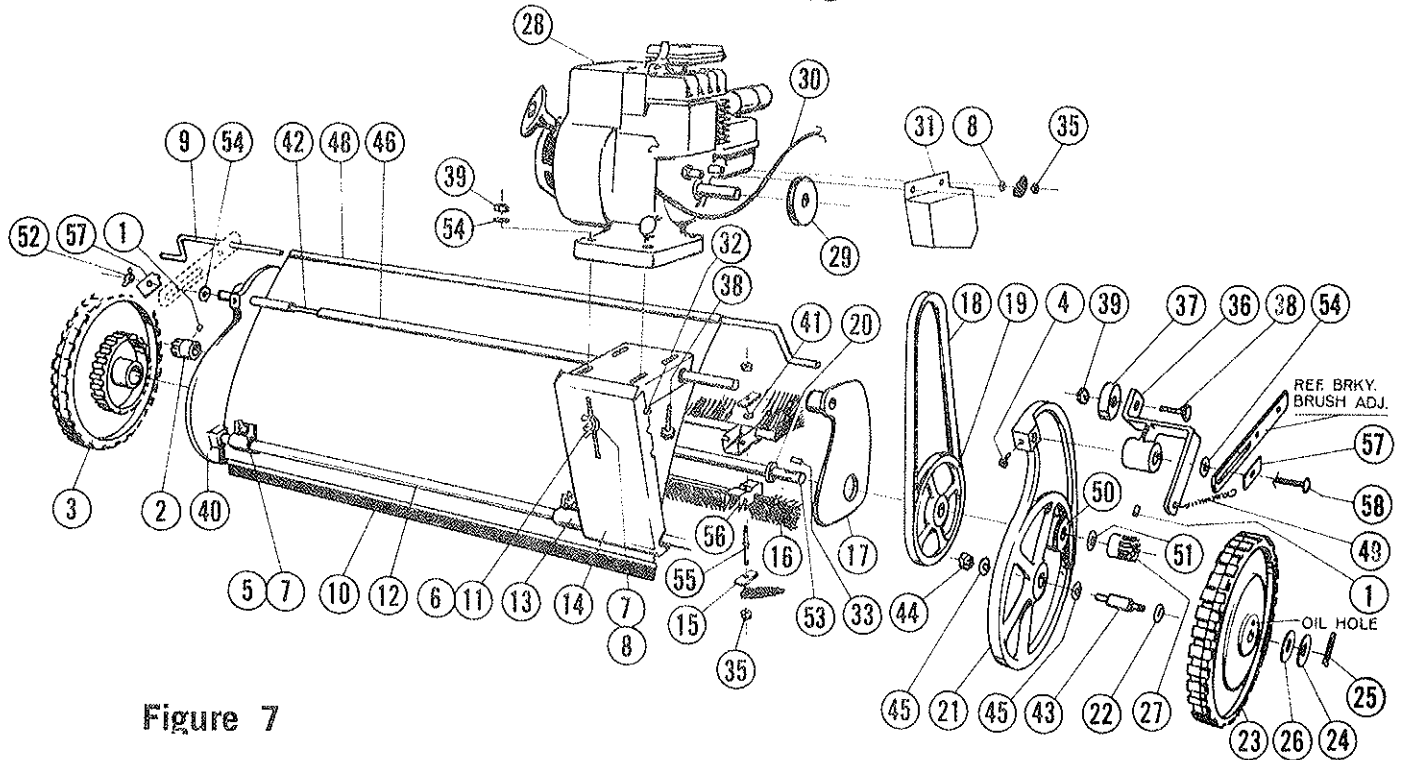


Figure 7

### PARTS LIST

Ref. No.	Part No.	Qty. Per Unit	Description of Part	Ref. No.	Part No.	Qty. Per Unit	Description of Part
1	45-25-A	2	Pawl	30	75-56-A	1	Throttle Control Assembly
2	45-18-RA	1	Pinion	31	75-68-B	1	Guard-Engine Sheave
3	49-377-C	2	Wheel	32	60-65-A	1	Pin-Engine Leveling
4	560-C-516-10	6	Set Screw $\frac{5}{16}$ -18 x $\frac{5}{8}$	33	48-277-A	1	Key-Square $\frac{3}{16}$ x 1
5	70-416-12	2	Carriage Bolt $\frac{1}{4}$ -20 x $\frac{3}{4}$	34			
6	365-416	1	Nut-Hex Lock $\frac{1}{4}$ -20	35	362-416	8	Nut-Hex Plain $\frac{1}{4}$ -20
7	351-416-18	3	Wing Nut $\frac{1}{4}$ -20 x $1\frac{1}{8}$	36	75-111-B	1	Idler Arm Weldment
8	945-416	3	Washer-Plain-Flat $\frac{1}{4}$	37	75-57-A	1	Idler Pulley
9	75-65-B	2	Rod-Hood Control	38	65-516-24	5	Bolt-Hex Hd. $\frac{1}{4}$ -20 x $1\frac{1}{2}$
10	75-46-C	1	Hood Extension	39	365-516	5	Nut-Hex Lock $\frac{5}{16}$ -18
11	515-416-32	1	Rd. Hd. Screw $\frac{1}{4}$ -20 x 2	40	71-04-RD	1	Side Plate RH
12	60-50-B	1	Rod-Bottom Tie	41	75-89-A	3	Retainer-Stud
13	60-22-B	2	Hood Clamp	42	75-67-B	1	Tube-Adj.
14	60-24-C	1	Adj. Engine Brace	43	71-36-A	2	Axle
15	69-04-A	6	Clamp-Brush Strip	44	345-816	2	Nut-Hex Jam $\frac{1}{2}$
16	1200-25	4	Brush Strip Assembly	45	71-37-A	4	Washer-Special
17	75-39-D	1	Inner Side Plate	46	75-41-B	1	Mt. Engine Weldment
18	75-49-A	1	Belt-Vee	47			
19	75-44-B	1	Sheave-Reel	48	75-107-B	1	Hood & Silk Screen Assembly (PC-7525)
20	55-161-A	2	Washer-Special $\frac{5}{8}$		75-203-B	1	Hood & Silk Screen Assembly (PS-7625)
21	71-05-LD	1	Side Plate LH	49	75-61-A	1	Spring-Clutch
22	946-1216-24	2	Washer-Fiber	50	68-60-A	2	Bearing
23	63-224-B	2	Tire	51	50-33-A	2	Washer-Special $\frac{5}{8}$
24	46-81-A	2	Washer-Special	52	73-71-A	1	Wing Nut
25	380-432-12	2	Cotter Pin $\frac{1}{8}$ dia. x $\frac{3}{4}$	53	75-43-B	1	Shaft-Reel
26	946-816-16	2	Washer-Fiber $\frac{1}{2}$	54	945-516	6	Washer
27	45-19-LA	1	Pinion	55	74-16-A	3	Stud
28	75-102-A	1	Engine-B & S PC-7525	56	74-13-C	6	Bracket
	75-114-A	1	Engine-B & S PS-7625	57	57-136-A	2	Stop-Bracket
29	75-55-A	1	Sheave-Engine	58	60-57-A	1	Bolt-Adj.

## SUPPORT FRAME ASSEMBLY

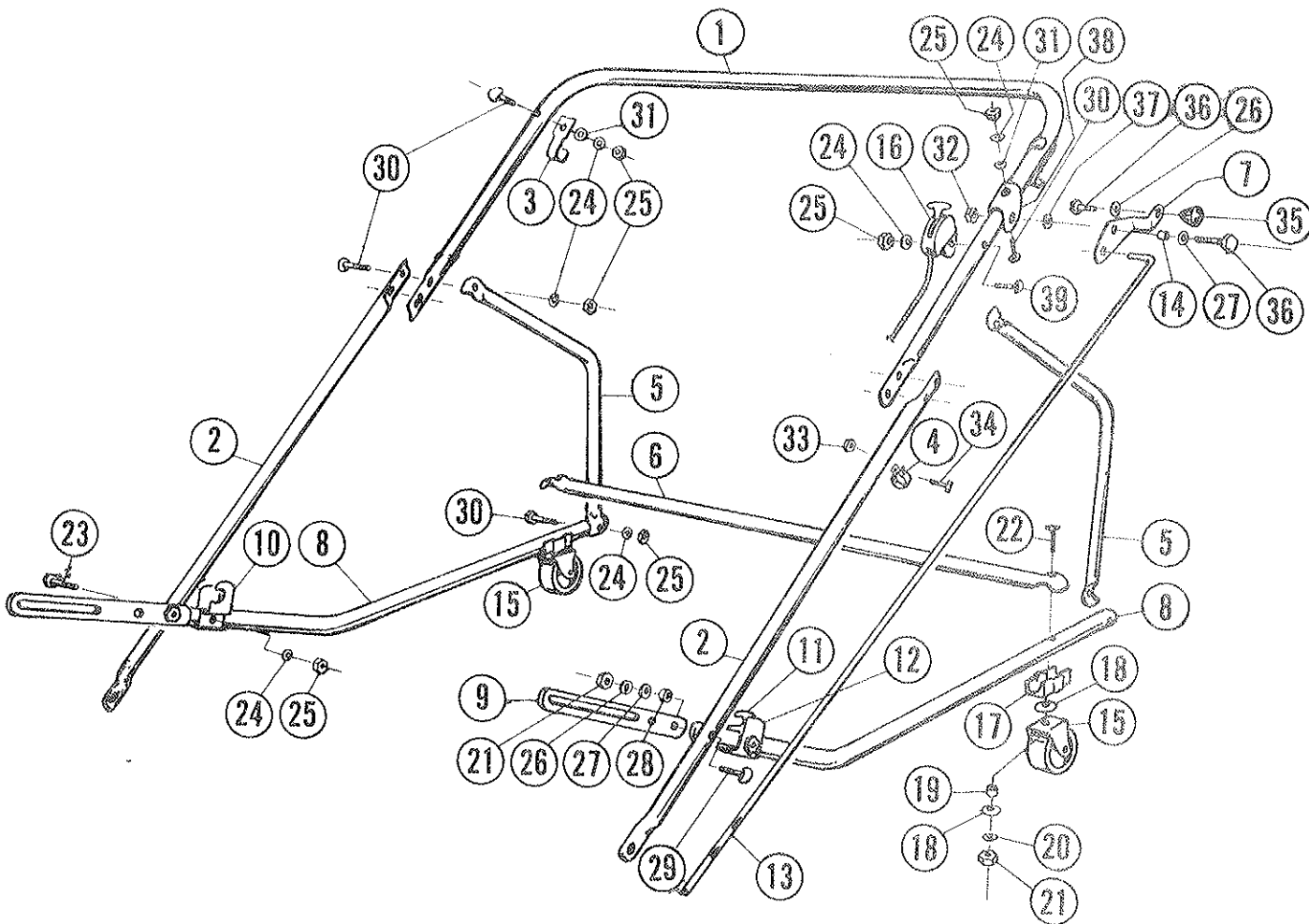


Figure 8

### PARTS LIST

Ref. No.	Part No.	Qty. Per Unit	Description of Part	Ref. No.	Part No.	Qty. Per Unit	Description of Part
1	75-63-C	1	Handle-Upper	20	935-516	4	Washer-Spring Lock $\frac{5}{16}$
2	75-51-B	2	Handle-Lower	21	335-516	4	Nut-Plain Hex $\frac{5}{16}$ -18
3	74-32-B	2	Bracket-Dowel	22	65-516-32	2	Bolt-Hex Hd. $\frac{5}{16}$ -18 x 2
4	68-101-A	1	Clamp-Cable $\frac{3}{16}$	23	65-416-8	2	Bolt-Hex Hd. $\frac{1}{4}$ -20 x $\frac{1}{2}$
5	75-52-B	2	Handle-Support	24	935-416	12	Washer-Spring Lock $\frac{1}{4}$
6	75-53-B	1	Frame-Cross Bar	25	335-416	12	Nut-Hex Plain $\frac{1}{4}$ -20
7	75-105-A	1	Lever-Control	26	935-516	3	Washer-Lock
8	75-50-B	2	Basket-Side Frame	27	945-516	6	Washer-Flat $\frac{5}{16}$
9	60-21-A	2	Bracket-Brush Adj.	28	54-227-A	2	Spacer
10	62-36-RB	1	Bracket-Lower Basket	29	69-516-24	2	Bolt-Cont. Hd. $\frac{5}{16}$ -18 x $1\frac{1}{2}$
11	62-35-LB	1	Bracket-Lower Basket	30	69-416-20	9	Bolt-Cont. Hd. $\frac{1}{4}$ -20 x $1\frac{1}{4}$
12	63-56-B	2	Bracket-Stop	31	945-416	3	Washer-Flat $\frac{1}{4}$
13	75-69-B	1	Clutch Control Rod	32	364-516	1	Nut-Hex Lock Thin $\frac{1}{4}$ -20
14	59-29-A	1	Spacer	33	365-8	1	Nut-Hex Lock 8-32
15	SA-243-B	2	Caster Assembly	34	515-8-8	1	Screw-Rd. Hd. 8-32 x $\frac{1}{2}$
16	See Fig. 7		Throttle Control Assembly	35	55-130-A	1	Knob-Ball
17	59-68-A	2	Block-Pivot Bearing	36	65-516-12	2	Bolt-Hex Hd. $\frac{5}{16}$ -18 x $\frac{3}{4}$
18	55-156-A	4	Washer-Special	37	946-816-16	1	Washer-Fiber
19	74-126-B	2	Spacer	38	74-03-A	1	Bracket
				39	69-416-24	1	Bolt-Cont. Hd. $\frac{1}{4}$ -20 x $1\frac{1}{2}$ ...