



Electronic Service Manuals

This electronic document is provided as a service to our customers. We do not create the contents of the information contained in this document. Should you have detailed questions pertaining to the information contained in this document, you may contact Michco, or the manufacturer which provided the original information in this electronic deliverable. Michco's only part in this electronic deliverable was the electronic assembly process. By providing this manual on line we are not guaranteeing parts availability.

You may contact Michco through the following methods:

Phone (517) 484-9312 or (800) 331-3339

2011 N. High St. -- Lansing, Michigan -- 48906

Fax: (517) 484-9836

Email: CustServe@Michco.com

Web site: www.Michco.Com

Parts Web site: www.FloorMachineParts.Com

Order Parts on Line at:

www.FloorMachineParts.Com

Directly to Parts & Service:

By Email: **Shop@Michco.com**

By Fax: (517) 702-2041

By Voice: Use numbers above.

Serving the Cleaning Industry Since 1922

Notice: All copyrighted material remains property of original owners, all trademarks are property of respective owners. Manuals are subject to Manufacturer's reproduction limitations. Originals or reproductions were provided by manufacturers through a request. We make no warranty as to the correctness of information provided in this document and you assume all risk. By placing these manuals on line we are not declaring our corporation to be an manufacturer authorized dealer or provider, please check our web site for authorized manufacturers we represent.

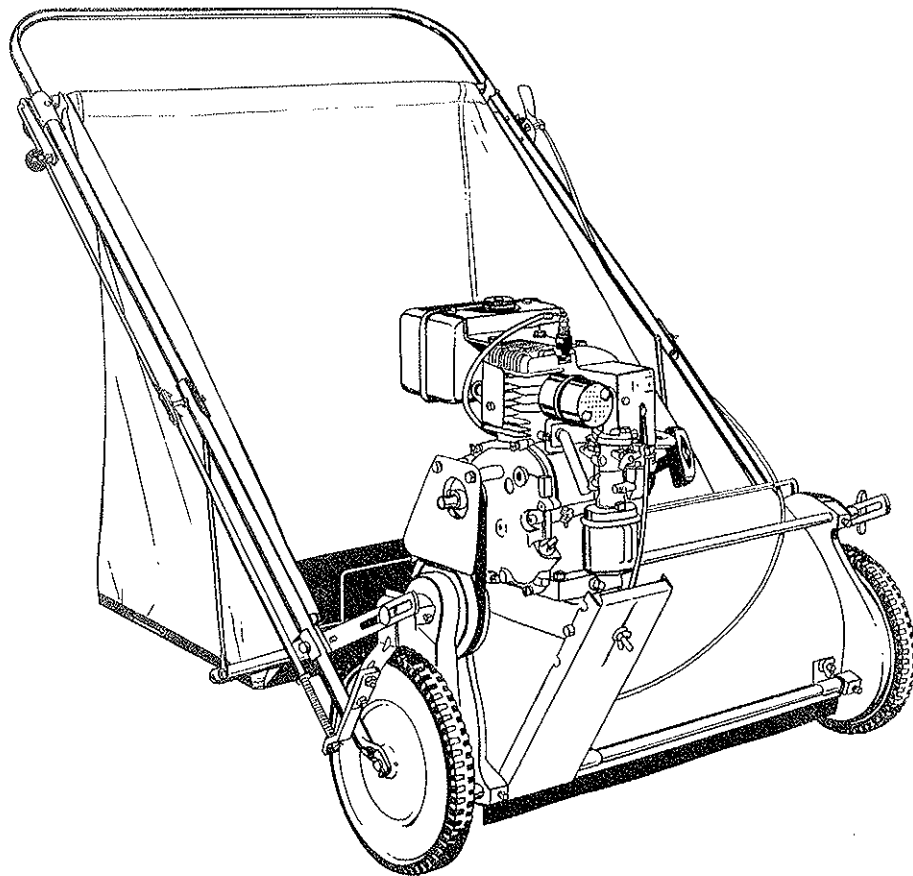
OPERATING INSTRUCTIONS
AND PARTS LIST FOR

MIAMI INC.

POWER CHIEF

SELF-PROPELLED LAWN SWEEPER

Model PC-2560



NOTICE: These instructions were written to assist you in assembling your Lawn Sweeper quickly and correctly. Read instructions thoroughly before attempting assembly so that you are familiar with the complete procedure.

MIAMI INC.

Box 295

SPRINGFIELD, OHIO

ASSEMBLY INSTRUCTIONS

1. Bring the upper handle into its proper position so that it nests with the two lower handle sections and tighten bolts holding these parts together.
 2. Insert the second bolt and nut through clutch control rods and tighten both bolts holding these pieces together.
 3. Bolt both handle support rods, Ref. 23, Figure 1, to lower tubular frame, Ref. 24, Figure 1.
 4. See that sheet metal basket bottom has approximately a 45 degree bend before installing in sweeper.
 5. Adjust brushes to normal lawn sweeping position (about 2" between ground and brush).
 6. Change engine mounting base to middle position as shown on front cover so that engine is approximately level — 3 positions are provided so that engine is always approximately level throughout the entire range of brush adjustment.
 7. Add oil and gasoline to engine as instructed in the engine manual. When ready to start the engine be sure that the clutch is disengaged.
- Read the operating instructions for Adjustment and Maintenance.

OPERATING AND MAINTENANCE INSTRUCTIONS

Brush Height Adjustment. Loosen the large wing nut (Ref. 9 of Figure 2). To raise the brush to extreme height, pull the sweeping unit forward as far as the slots will permit. To lower the brush to the lowest position, push the sweeping unit backward as far as slots will permit. Secure the wing nut when the desired brush height is attained.

Hood Extension Adjustment. For lawn sweeping the rubber hood extension, Ref. 10 Figure 3 should be as high as it will go. For patio, sidewalk and driveway sweeping adjust the rubber hood extension until it just touches the surface being swept.

Basket. Basket is removable for dumping. Removal is easier when lower rod is disengaged first. (Note: Do not leave damp grass or leaves in the basket for this will cause mildew and quick deterioration of the canvas.)

Maintenance. Service the engine as instructed by its manufacturer. Oil the sweeper frequently at the points marked "oil" (See figure 1). Oil and clean the sweeper and keep in a dry place for storage. Wet grass clippings have a tendency to dry and adhere to the inner face of the hood. It is important to keep this face clean at all times for good sweeping action.

ALWAYS GIVE THE FOLLOWING INFORMATION WHEN ORDERING REPAIR PARTS

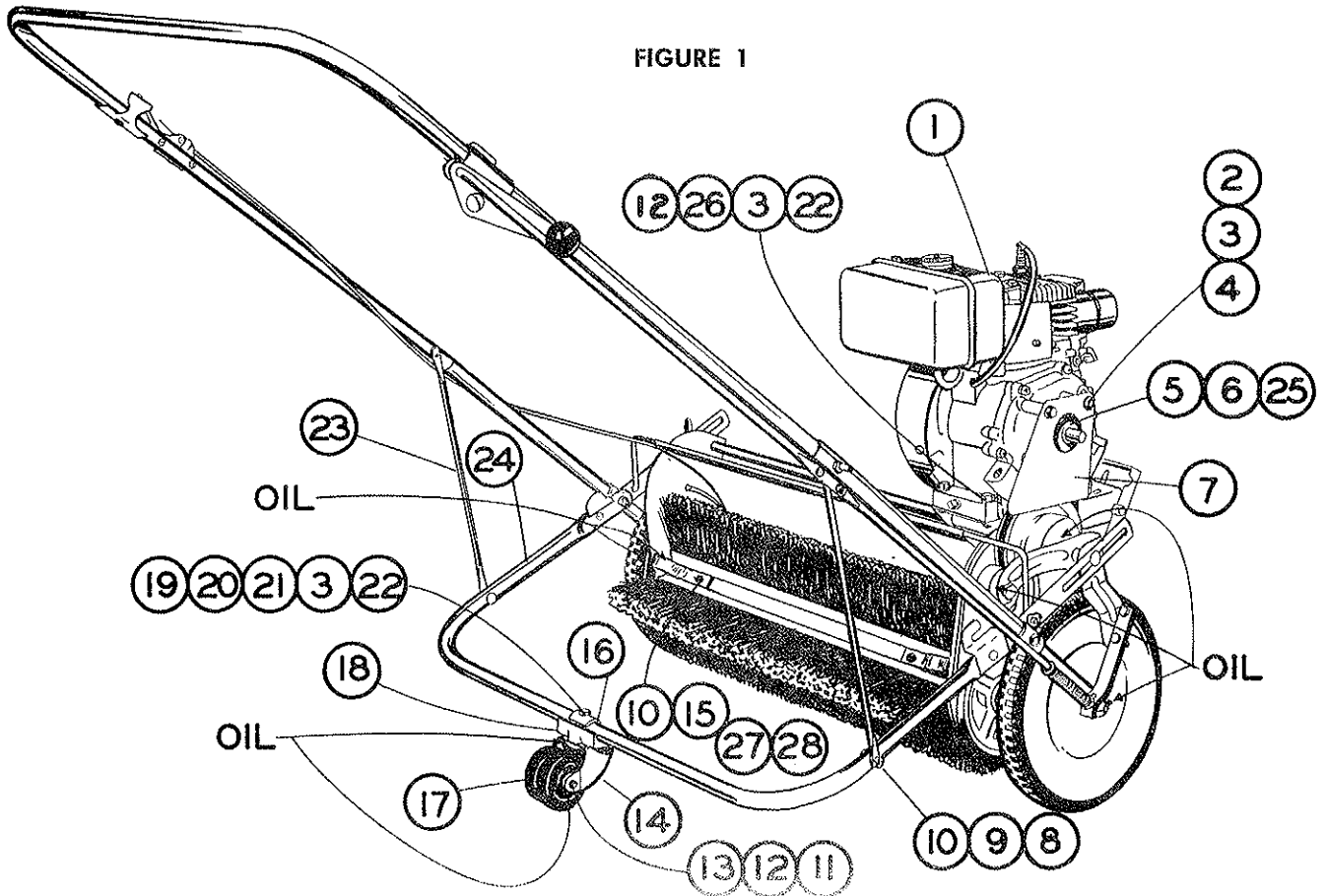
Order all parts from your nearest dealer.

1. Part Number, Quantity and Fig. No.
2. Model Number (found on Hood).
3. Year Model.

Your unit is right hand (R. H.) or left hand (L. H.) as you stand behind it.

LOWER FRAME AND FRAME ASSEMBLY FIGURE 1

REF. No.	PART No.	QTY. REQ'D.	DESCRIPTION	REF. No.	PART No.	QTY. REQ'D.	DESCRIPTION
1	60-59A	1	Engine	15	515-416-36	2	Rd. Hd. Screw $\frac{1}{4}$ - 20 x 2 $\frac{1}{2}$
2	60-516-32	2	Hex Head Screw $\frac{5}{16}$ - 24 x 2	16	59-77A	1	Clamp
3	936-516	7	Lock Washer	17	47-44A-1	2	Roller
4	60-58A	2	Spacer	18	59-68B	1	Pivot Block
5	60-55A	1	Pulley — 2" O.D. $\frac{5}{8}$ Bore	19	65-516-28	1	Hex Hd. Screw $\frac{5}{16}$ - 18 x 1 $\frac{3}{4}$
6	565-516-6	1	Set Screw — Slot Head $\frac{5}{16}$ - 18 x $\frac{3}{8}$	20	55-156A	2	Washer — Special
7	60-27B	1	Belt Guard	21	54-227A	1	Spacer
8	70-416-16	2	Carriage Bolt $\frac{1}{4}$ - 20 x 1	22	335-516	5	Hex Nut $\frac{5}{16}$
9	936-416	2	Lock Washer	23	60-40B	2	Support
10	335-416	4	Hex Nut $\frac{1}{4}$ - 20	24	60-69F	1	Caster Support Frame
11	60-53A	1	Axle — Caster	25	48-277A	1	Key $\frac{3}{16}$ x $\frac{3}{16}$ x 1 $\frac{1}{8}$
12	945-516	6	Washer SAE $\frac{5}{16}$	26	65-516-24	4	Hex Head Screw — $\frac{5}{16}$ - 18 x 1 $\frac{1}{2}$ Lg.
13	59-45A	1	Retainer	27	60-83B	4	Guard — Anti-Weed Wrap
14	60-29B	1	Caster Fork	28	935-416	4	Lock Washer — Plain



UPPER FRAME - BASKET AND CLUTCH ASSEMBLY FIGURE 2

REF. No.	PART No.	QTY. REQ'D.	DESCRIPTION	REF. No.	PART No.	QTY. REQ'D.	DESCRIPTION
1	60-61A-1	1	Throttle Handle Assembly	25	60-63A	2	Nylon Bearings
2	515-10-16	2	Round Hd. Screw 10 - 24 x 1	26	20-70-6	1	Throttle Cable
3	936-10	4	Lock Washer No. 10	27	60-23A	1	Clutch Bracket
4	335-10	4	Hex Nut No. 10 - 24	28	60-62A	1	Roll Pin 1/8
5	515-416-28	2	Rd. Hd. Screw 1/4 - 20 x 1 1/2	29	30-74-054	1	Wire — Throttle
6	936-416	4	Lock Washer 1/4	30	60-46A	1	Clutch Spring
7	335-416	4	Hex Nut 1/4 - 20	31	60-33B	1	Lower Clutch Rod
8	60-57A	1	Adjustment Bolt	32	60-37D	1	Clutch Bell Crank
9	351-516-40	1	Wing Nut 3/8 - 18 x 2 1/2	33	515-10-8	2	Rd. Hd. Screw 10 - 24 x 1/2
10	945-516	3	Washer SAE 3/8	34	60-32B	1	Upper Clutch Rod
11	60-21A	2	Brush Adjusting Bracket	35	59-29A	1	Spacer
12	60-35B	2	Lower Handle	36	60-60A	1	Retainer — Push On Type 3
13	59-77A	4	Clamp	37	526-516-12	1	Truss Hd. Screw 3/8 - 18 x 3/4
14	65-516-28	2	Hex Hd. Screw 3/8 - 18 x 1 1/4	38	946-816-16	1	Fiber Washer
15	54-227A	3	Spacer	39	60-28A	1	Clutch Handle
16	936-516	3	Lock Washer	40	55-130A	1	Plastic Knob
17	335-516	3	Hex Nut 3/8 - 18	41	526-516-16	1	Truss Head Screw 3/8 - 18 x 1
18	65-416-12	2	Hex Head Screw 1/4 - 20 x 3/4	42	340-516	2	Hex Jam Nut 3/8 - 18
19	60-716-24	1	Hex Hd. Screw 3/8 - 20 x 1 1/2	43	57-182A	1	Clutch Handle Bracket
20	945-716	1	Washer SAE 3/8	44	58-140A	2	Rivet
21	60-64A	1	Bushing	45	60-26B	2	Upper Basket Support Brkt.
22	936-716	1	Lock Washer 3/8	46	60-68F	1	Upper Handle Assembly
23	345-716	1	Hex Jam Nut — Light 3/8 - 20	47	60-52B	1	Basket — Rod
24	60-66A	1	Idler Pulley	48	60-67D	1	Basket Assembly Complete

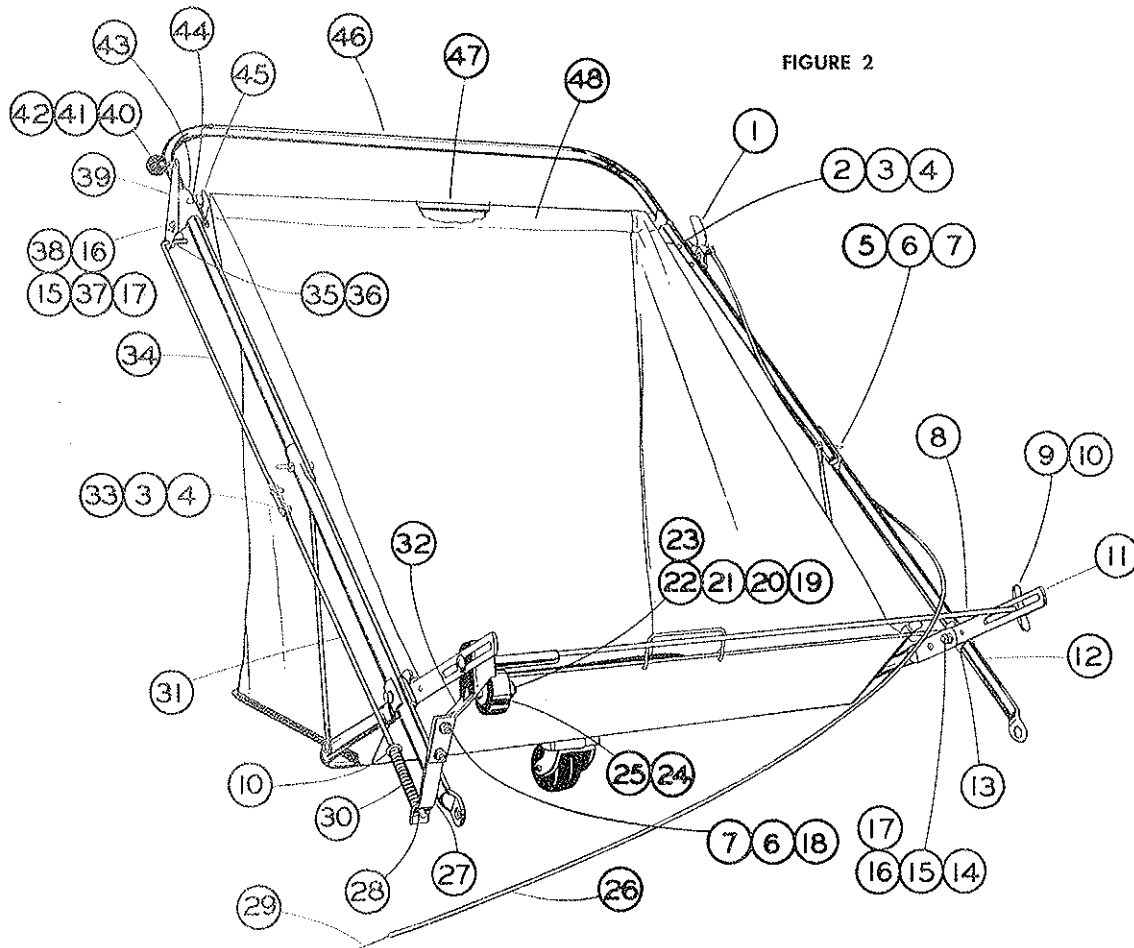


FIGURE 2

SWEEPER UNIT ASSEMBLY

FIGURE 3

REF. No.	PART No.	QTY. REQ'D.	DESCRIPTION	REF. No.	PART No.	QTY. REQ'D.	DESCRIPTION
1	45-25A	2	Pawl	21	60-19D	1	R.H. Side Plate
2	56-18RC	1	Pinion — Right Hand	22	946-1216-24	2	Fiber Washer
3	49-377C	2	Wheel	23	47-438C	2	Tire
4	560-C-516-10	6	Set Screw $\frac{3}{16}$ - 18 x $\frac{3}{8}$	24	46-81A	2	Special Washer
5	70-416-12	2	Carriage Bolt $\frac{1}{4}$ - 20 x $\frac{3}{4}$	25	380-332-12	2	Cotter Pin
6	945-516	2	Washer SAE $\frac{3}{8}$	26	946-816-16	2	Fiber Washer
7	351-416-18	3	Wing Nut	27	56-19LC	1	L. Hand Pinion
8	945-416	1	Washer — SAE $\frac{1}{2}$	28	50-33A	2	Special Washer
9	335-416	1	Hex Nut $\frac{1}{2}$ - 20	29	55-161A	4	Special Washer
10	60-45C	1	Rubber Hood Extension	30	60-63A	2	Nylon Bearing
11	515-416-32	1	Round Hd. Screw $\frac{1}{4}$ - 20 x 2	31	56-121B	1	2 Step Pulley
12	60-50B	1	Bottom Tie Rod	32	60-56A	1	Upper V Belt 4L220 A Sec.
13	60-22B	2	Hood Clamp	33	280-9	1	Woodruff Key No. 9
14	60-24C	1	Adjustable Engine Brace	34	60-49B	1	Reel Shaft
15	49-17A	4	Brush Bracket	35	60-25C	1	Engine Base Plate
16	52-141B	Set of 2	Brush Assembly	36	60-65A	1	Adjustable Engine Base Pin
17	60-20D	1	Inner Side Plate	37	60-80D	1	Hood Assembly
18	54-128A	1	Lower V Belt 4L270 A Sec.	38	60-51B	1	Tubular Tie Rod
19	60-54A	1	Pulley 5.25 O.D. $\frac{3}{4}$ Bore	39	60-18D	1	Left Hand Side Plate
20	59-28A	2	Nylon Bearing	40	59-45A	2	Retainer

FIGURE 3

