



## Electronic Service Manuals

This electronic document is provided as a service to our customers. We do not create the contents of the information contained in this document. Should you have detailed questions pertaining to the information contained in this document, you may contact Michco, or the manufacturer which provided the original information in this electronic deliverable. Michco's only part in this electronic deliverable was the electronic assembly process. By providing this manual on line we are not guaranteeing parts availability.

You may contact Michco through the following methods:

Phone (517) 484-9312 or (800) 331-3339

2011 N. High St. -- Lansing, Michigan -- 48906

Fax: (517) 484-9836

Email: [CustServe@Michco.com](mailto:CustServe@Michco.com)

Web site: [www.Michco.Com](http://www.Michco.Com)

Parts Web site: [www.FloorMachineParts.Com](http://www.FloorMachineParts.Com)

Order Parts on Line at:

**[www.FloorMachineParts.Com](http://www.FloorMachineParts.Com)**

Directly to Parts & Service:

By Email: **[Shop@Michco.com](mailto:Shop@Michco.com)**

By Fax: (517) 702-2041

By Voice: Use numbers above.

**Serving the Cleaning Industry Since 1922**

Notice: All copyrighted material remains property of original owners, all trademarks are property of respective owners. Manuals are subject to Manufacturer's reproduction limitations. Originals or reproductions were provided by manufacturers through a request. We make no warranty as to the correctness of information provided in this document and you assume all risk. By placing these manuals on line we are not declaring our corporation to be an manufacturer authorized dealer or provider, please check our web site for authorized manufacturers we represent.

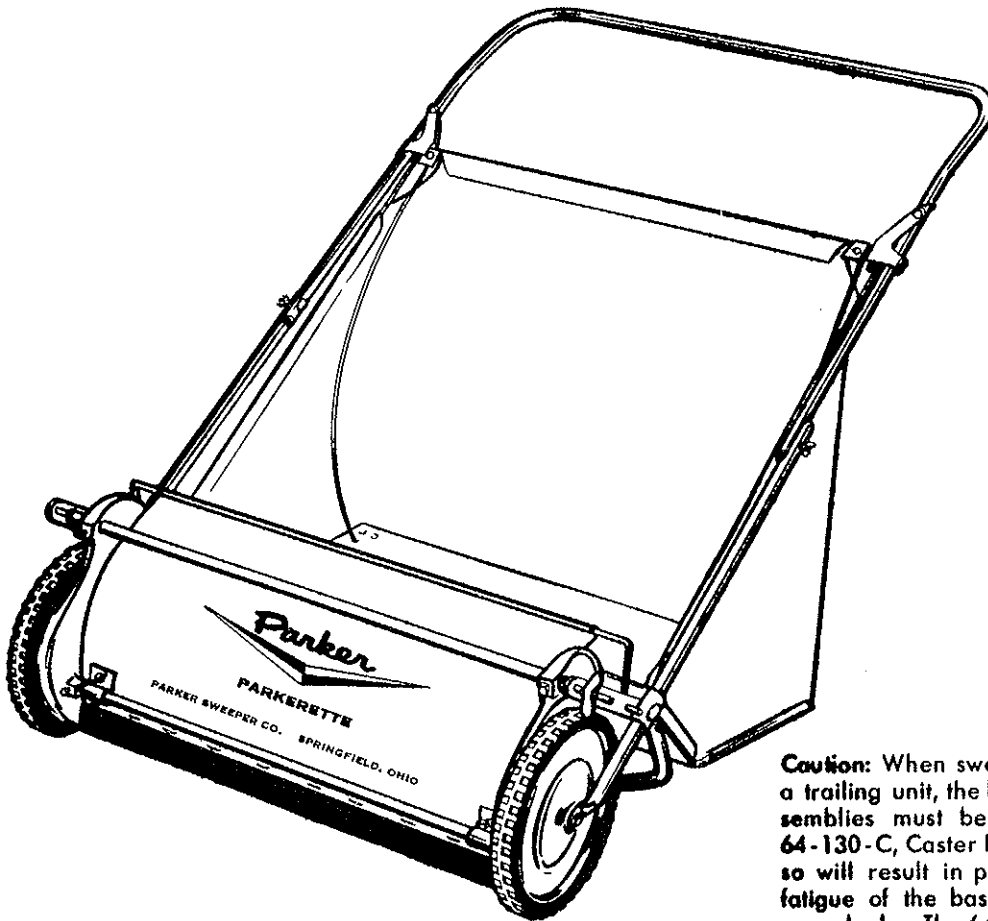
# OWNERS GUIDE



# Parker



## PA- 6830 PARKERETTE® 30" LAWN SWEEPER



**Caution:** When sweeper is used as a trailing unit, the basket roller assemblies must be replaced with 64-130-C, Caster Kit. Failure to do so will result in premature metal fatigue of the basket bottom. Ask your dealer. The 64-130-C, Caster Kit is sold as an accessory only.

**NOTICE:** These instructions were written to assist you in assembling your Lawn Sweeper quickly and correctly. Read instructions thoroughly before attempting assembly so that you are familiar with the complete procedure.

**PARKER SWEEPER COMPANY**

**BOX 720**

**SPRINGFIELD, OHIO 45501-1728**

## ASSEMBLY INSTRUCTIONS

### PA-16830

1. Remove wing nut, Ref. No. 13, lock washer, Ref. No. 4, and carriage bolt, Ref. No. 12, Fig. 2, from one side of handle and reverse their position so that the wing nut is on the outside of the handle, instead of the inside. Repeat on other side of handle. Unfold the handle and tighten the wing nuts so that the handle is straight and rigid.

2. Loosen the nuts, Ref. No. 24, Fig. 2, on both sides of the U-shaped support, Ref. No. 25. Pivot the support until the projections on lower basket brackets, Ref. Nos. 19 & 26, Fig. 2, fit into the holes provided on both sides of the U-support (see enlarged view Fig. 2). Tighten the nuts to hold the U-support firmly in this position.

3. Bend the metal basket bottom, Ref. No. 10, Fig. 2, along the scored line until it remains bent of its own

accord at an angle of about 45 degrees. See point "A" in exploded view.

4. Gently force a bow into the basket support springs, Ref. No. 5, Fig. 2, and place the lower free ends into the holes provided at the rear of the metal basket bottom.

5. Place the lower front of the basket into the hooked slots of the lower basket supports, Ref. Nos. 19 & 26, Fig. 2, and the upper rear of the basket into the catches, Ref. No. 9, on the upper handle.

**NOTE:** Press down on the handle a few times, till the wheels leave the floor. This will set the basket support springs to correct tension.

6. Make sure that all nuts, bolts, and hardware are tight.

## OPERATING INSTRUCTIONS

**THE ADJUSTMENT OF THIS SWEEPER IS VERY IMPORTANT FOR EASE OF OPERATION.**

**Adjusting Brush Height.** Loosen large wing nut, Ref. No. 9, Fig. 3. To raise brushes to extreme height, pull sweeping unit forward as far as slots in brush adjustment brackets, Ref. No. 21, Fig. 2, will permit. To lower brushes to lowest position, push sweeping unit backward as far as slots will permit. Secure wing nut when desired brush adjustment is obtained.

1. For grass clippings or leaves, adjust hood extension, Ref. No. 6, Fig. 3, and brushes to highest positions. After trial run on lawn, should the settings be too high, lower slightly and try again until correct setting is found. Brush life may be prolonged by adjusting so contact with ground is light.

2. For patio, sidewalk, and driveway sweeping, adjust hood extension to bottom position. Also adjust brushes so they just contact pavement.

**NOTE: IF SWEEPER PUSHES HARD, THE BRUSHES OR HOOD EXTENSION IS SET TOO LOW.**

**Adjusting Handle Height.** Two separate heights are provided for with sweeper handle. To raise handle to high position (see Fig. 1):

1. Remove basket from sweeper.
2. Remove hardware, Ref. Nos. 4, 12 and 13, Fig. 2, which holds upper and lower handles together.
3. Turn handle over so handle level is in high position and replace parts as before.

Sweep your lawn of unsightly grass clippings and weed cuttings that will smother the grass. To leave clippings on the lawn will cause a "mat" and thatch condition which not only prevents sunlight, air and moisture getting to the roots of the grass, but also is conducive to fungus diseases and insects.

**To Empty Basket.** Basket may be removed for dumping or sweeper can be tipped forward for end-over dumping.

**Lubrication.** Lubricate the sweeper periodically to insure long life and easy operation.

1. Oil wheel gears and pinion gears through oil hole on each side of wheel. Also oil rollers on rear of metal basket assembly and brush shaft bearings.

**Care and Replacement of Brushes.** The brushes used on this sweeper are made of the finest bristles that will give years of service if given proper care. Should they become bent from constant use, it is possible to straighten bristles by reversing the brushes on the reel shaft, so that the sweeping pressure is applied from the opposite side.

To reverse or replace brushes:

1. Remove basket and turn sweeper upside down.
2. Remove cap screws & clamps items 8 & 24 Fig. 3 which hold the brush strips to the reel shaft brackets. Reverse and replace the brush strip and clamps, then retighten the cap screws.

**Storage.** Remove basket springs from basket bottom, collapse basket and hang with rollers facing wall.

**Caution:** The brush fiber is inflammable and basket should be removed from sweeper when dumping on a fire to avoid contact of brushes and basket with fire. "Lumite" basket material is flame proof; however, it is affected by excessive heat. To avoid deterioration of material, do not allow sweeper to stand near fire or basket to get too hot when dumping over or near a fire.

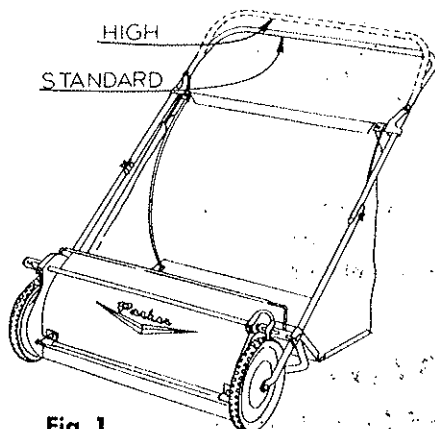


Fig. 1

<b>PARKERETTE HAND LAWN SWEEPER</b>	SIZE <b>30"</b>	PRODUCTION YEAR <b>1968</b>	MODEL No. <b>PA-6830</b>
---	--------------------	--------------------------------	-----------------------------

**PA-6830 SWEEPER UNIT ASSEMBLY**

Figure 1

Ref. No.	Part No.	Qty. Per Unit	Description	Ref. No.	Part No.	Qty. Per Unit	Description
1	68-14-A	2	Rod — Hood Control	17	<del>45-18-RA</del> *	1	Pinion Gear — Right Hand (Not Shown)
2	<del>68-13-C</del>	1	Hood <i>86-69-D</i>		<i>SA-1583-B</i>		
3	351-416-18	2	Nut — Wing ¼-20		<del>45-19-LA</del> *	1	Pinion Gear — Left Hand (Shown)
4	*945-516	2	Washer — SAE Flat ¾			1	
5	60-22-B	2	Clamp — Hood	18	<del>45-25-A</del> *	2	Pawl
6	<del>68-10-C</del>	1	Extension — Hood Assembly <i>86-69-D</i>	19	946-1216-24	2	Washer — Fiber
7	*70-416-12	2	Bolt — Carriage ¼-20 x ¾	20	<del>68-60-A</del>	2	Bearing — Ball
8	*65-416-24	4	Bolt — Hex Head ¼-20 x 1½	21	<del>68-6-B</del>	1	Shaft — Reel
9	560-C-516-10	4	Screw — Sq. Head Set ¾-18 x ¾	23	<del>68-7-B</del>	2	Brush Strip Assembly <i>B K-10</i>
10	<del>68-41-D</del>	1	Side Plate — Left Hand <i>71-05-LD</i>	24	355-416-1	4	Stamped Square Nut ¼-20
11	351-516-40	1	Nut — Wing ¾-18 x 2½	25	62-04-A	1	Rod — Bottom Tie
12	*380-332-12	2	Pin — Cotter ½ x ¾	26	<del>68-3-RD</del>	1	Side Plate — Right Hand <i>71-04-RD</i>
13	46-81-A	2	Washer — Special	27	<del>68-22-A</del>	1	Bolt — Adjusting <i>69-75-A</i>
14	63-224-B	2	Tire	28	*945-616	1	Washer — SAE Flat ¾
15	946-816-16	2	Washer — Fiber	29	<del>68-5-A</del>	1	Tube — Adjusting
16	49-377-C	2	Wheel				

*SA-1583-B PINION KIT updated 7/93*

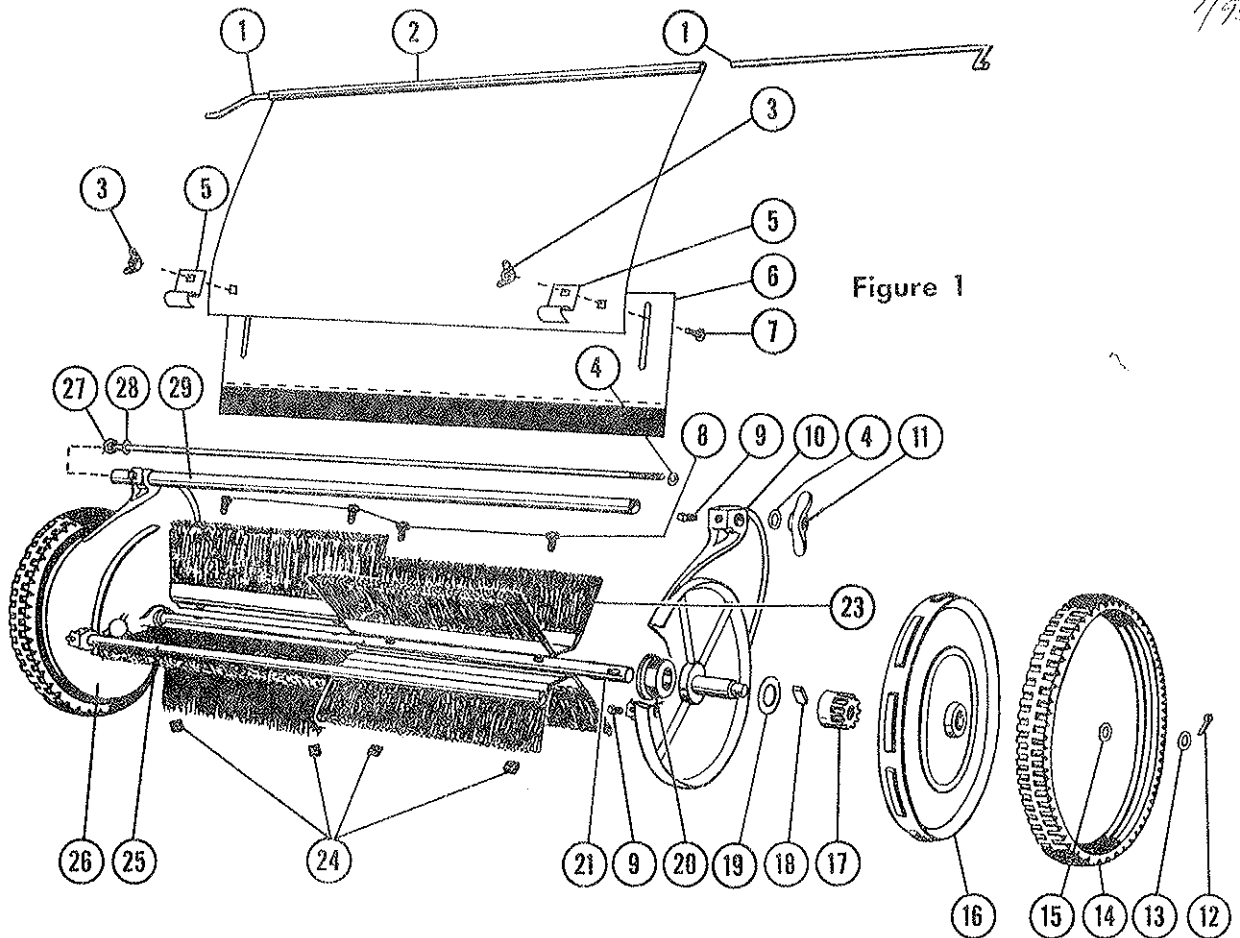


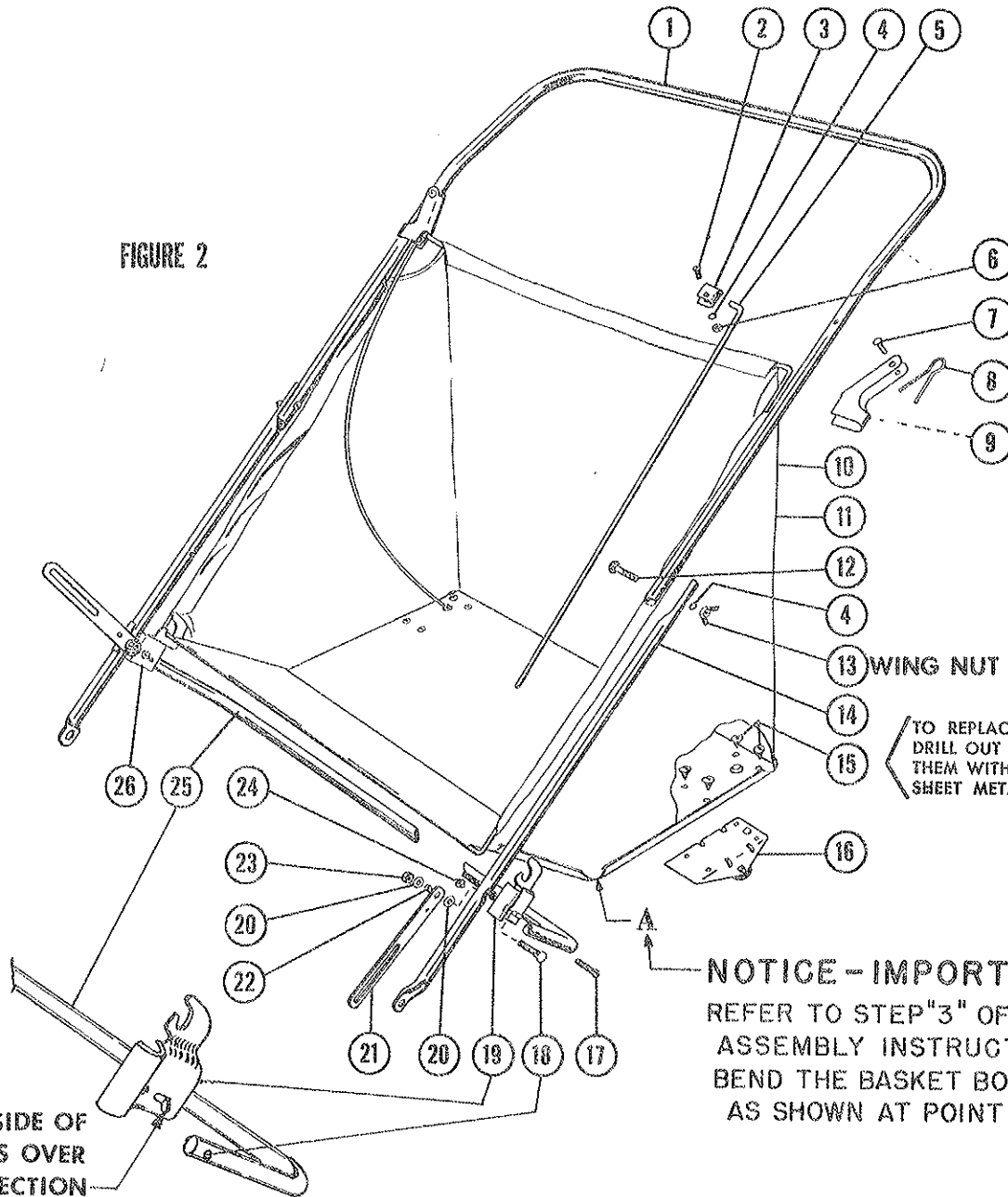
Figure 1

# PA-6830 BASKET AND HANDLE ASSEMBLY

## Figure 2

Ref. No.	Part No.	Qty. Per Unit	Description	Ref. No.	Part No.	Qty. Per Unit	Description
1	<del>68-20-C</del>	1	Handle — Upper	13	*351-416-18	2	Nut — Wing ¼-20
2	*515-416-10	2	Screw — Round Head ¼-20 x ¾	14	<del>55-56-B</del>	2	Handle — Lower
3	53-116-A	2	Clamp — Basket Spring	15	<del>*532-14-6</del>	8	Screw — Sheet Metal No. 14 x ¾
4	*936-416	4	Washer — Int. Tooth Lock ¼	16	52-34-B	2	Roller — Assembly
5	<del>53-114-B</del>	2	Spring — Basket	17	*65-416-20	2	Bolt — Hex Head ¼-20 x 1¼
6	*335-416	2	Nut — Hex ¼-20	18	*70-516-24	2	Bolt — Carriage ¾-18 x 1½
7	58-140-A	2	Rivet	19	<del>53-169-1D</del>	1	Bracket — Left Hand
8	58-27-A	2	Spring	20	*945-516	4	Washer — SAE Flat ¾
9	58-26-B	2	Bracket — Basket Lock	21	60-21-A	2	Bracket — Brush Adjusting
10	<del>SA-138-C</del>	1	Basket — With Rollers & Springs	22	54-227-A	2	Spacer
		1	Replacement	23	*335-516	2	Nut — Hex ¾-18
11	<del>68-15-C</del>	1	Basket — Without Rollers & Springs	24	355-416	2	Stamped Square Nut ¼-20
	68-15-L	1	Spring — Replacement	25	<del>68-27-B</del>	1	Support — Handle
12	<del>*70-416-24</del>	2	Bolt — Carriage ¼-20 x 1½	26	53-168-RD	1	Bracket — Right Hand

FIGURE 2



TO REPLACE ROLLER ASSEMBLY, DRILL OUT RIVETS AND REPLACE THEM WITH ITEM 15, No. 14 x ¾ SHEET METAL SCREW.

**NOTICE — IMPORTANT**  
REFER TO STEP "3" OF THE ASSEMBLY INSTRUCTIONS. BEND THE BASKET BOTTOM AS SHOWN AT POINT "A"

HOLE ON INSIDE OF "U" SUPPORT FITS OVER PROJECTION

REPLACEMENT BASKET FOR PA-6830 - PA-7730

68-15-C Replacement Basket is to be used with customers old metal bottom basket.

First remove old canvass from the frame. Also, remove the rollers from the metal bottom. Place the new plastic bottom on top of the metal and drill or punch holes to allow reinstallation of rollers on the metal bottom. This will secure the metal and plastic bottoms.

Use the ties to secure the sides and back of the basket to the upper frame. It is not necessary but you can drill corresponding holes through the front lip of the metal and plastic bottom and secure with pop rivets or small screws and bolts.

