



Electronic Service Manuals

This electronic document is provided as a service to our customers. We do not create the contents of the information contained in this document. Should you have detailed questions pertaining to the information contained in this document, you may contact Michco, or the manufacturer which provided the original information in this electronic deliverable. Michco's only part in this electronic deliverable was the electronic assembly process. By providing this manual on line we are not guaranteeing parts availability.

You may contact Michco through the following methods:

Phone (517) 484-9312 or (800) 331-3339

2011 N. High St. -- Lansing, Michigan -- 48906

Fax: (517) 484-9836

Email: CustServe@Michco.com

Web site: www.Michco.Com

Parts Web site: www.FloorMachineParts.Com

Order Parts on Line at:

www.FloorMachineParts.Com

Directly to Parts & Service:

By Email: **Shop@Michco.com**

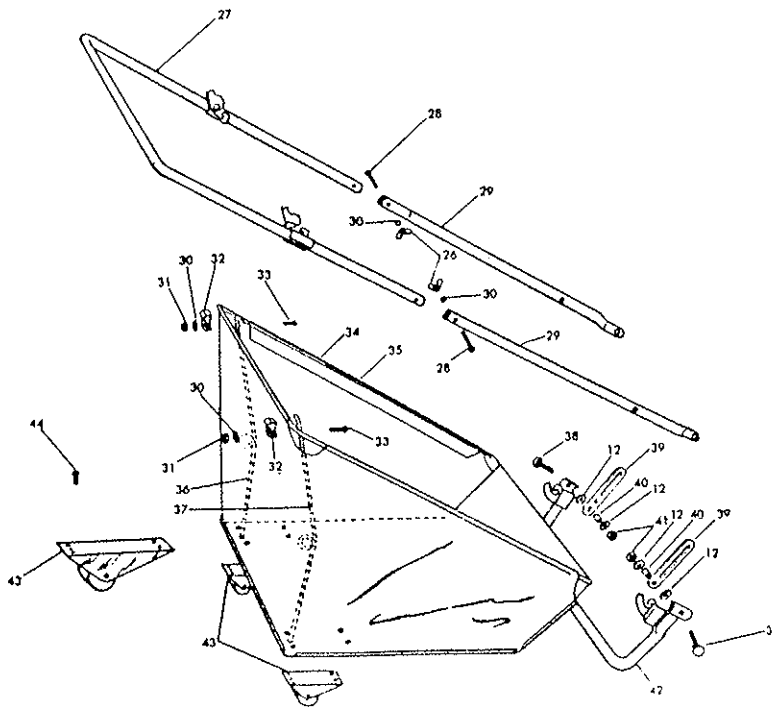
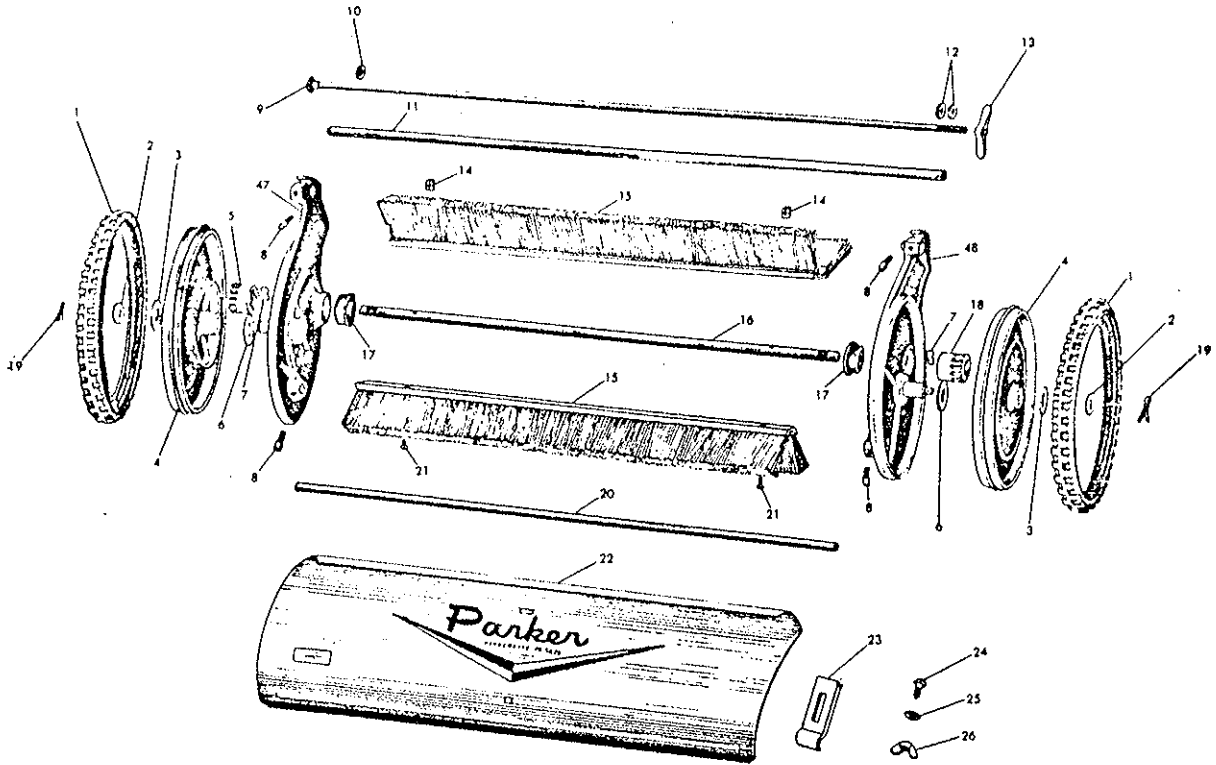
By Fax: (517) 702-2041

By Voice: Use numbers above.

Serving the Cleaning Industry Since 1922

Notice: All copyrighted material remains property of original owners, all trademarks are property of respective owners. Manuals are subject to Manufacturer's reproduction limitations. Originals or reproductions were provided by manufacturers through a request. We make no warranty as to the correctness of information provided in this document and you assume all risk. By placing these manuals on line we are not declaring our corporation to be an manufacturer authorized dealer or provider, please check our web site for authorized manufacturers we represent.

PARTS LIST AND ASSEMBLY INSTRUCTIONS FOR THE
PARKER *Parkerette* **LAWN SWEEPER**



MODEL PA-5628

PARKERETTE PA-5628 PARTS LIST

REF. No.	DESCRIPTION OF PART	PART No.	No. REQ.
1	Tire <i>63-224-B</i>	47-438-C	2
2	Washer - Special ($\frac{1}{2}$ I.D. x $\frac{1}{4}$ O.D. x $\frac{1}{4}$)	46-81-A	2
3	Fiber Washer ($\frac{1}{2}$ I.D. x 1 O.D.)	946-816-16	2
4	Wheel	49-377-C	2
* 5	Pinion - Right Hand <i>45-18-RA</i>	56-18-RC	1
6	Fiber Washer ($\frac{1}{2}$ I.D. x $1\frac{1}{2}$ O.D.)	946-1216-24	2
* 7	Pawl	45-25-A	2
8	Set Screw - Square Head	560-C-516-10	4
9	Bolt - Adjusting	55-59-A	1
10	Washer	945-616	1
11	Tube - Adjusting Tie Rod	55-60-A	1
12	Washer	945-516	10
13	Wing Nut ($\frac{3}{8}$ x 2) Wing Span	351-516-40	1
14	Nut - Square	355-416	3
15	Brush <i>BK-7</i>	49-275-B	2
16	Reel Shaft	50-66-B	1
17	Bearing <i>68-60-A</i>	48-396-A	2
* 18	Pinion - Left Hand <i>45-19-LA</i>	56-19-LB	1
19	Cotter Pin	380-332-12	2
20	Tie Rod	49-281-B	1
21	Screw - Rd. Hd. Mach. ($\frac{1}{4}$ N.C. x $1\frac{1}{2}$)	515-416-24	3
22	Hood	55-71-D	1
23	Clamp - Hood Adjustment	52-145-A	1
24	Carriage Bolt ($\frac{1}{4}$ N.C. x $\frac{1}{4}$)	70-416-12	1

REF. No.	DESCRIPTION OF PART	PART No.	No. REQ.
25	Washer	945-416	1
26	Wing Nut - $\frac{1}{4}$ Wing Span	351-416	3
27	Handle - Upper	55-54-C	1
28	Carriage Bolt ($\frac{1}{4}$ N.C. x $1\frac{1}{2}$)	70-416-24	2
29	Handle - Lower	55-56-B	2
30	Washer - Int. Tooth Lock	936-416	4
31	Nut - Hex	335-416	2
32	Clamp - Basket Spring	53-116-A	2
33	Screw - Rd. Hd. Mach. ($\frac{1}{4}$ N.C. x $\frac{3}{4}$)	515-416-10	2
34	Basket - With Rollers	53-123-C	1
35	*Basket without Rollers - Replacement	53-124-C	1
36	Spring - Basket - Left Hand	53-115-LB	1
37	Spring - Basket - Right Hand	53-114-RB	1
38	Carriage Bolt ($\frac{3}{8}$ N.C. x $1\frac{1}{2}$)	70-516-24	2
39	Bracket - Brush Adjustment	55-68-A	2
40	Spacer	54-227-A	2
41	Nut - Hex	335-516	2
42	Support - Assembly	53-171-D	1
43	Roller - Assembly	52-34-B	2
44	Screw - Sheet Metal	504-416-8	8
45			
46			
47	Side Plate - Right Hand	55-85-RD	1
48	Side Plate - Left Hand	55-84-LD	1

* *Sold in kit only as P/N SA-1583-B & contains 1 ea. pinion and 2 pawls.*

ASSEMBLY INSTRUCTIONS

Your new Parkerette Lawn Sweeper is complete in one carton, ready to operate except for unfolding the Handle and making a few adjustments. To do this . . . follow these simple instructions.

1. To prevent damage to the sweeper and the carton during shipment, the Handle Screws and Wing Nuts are placed so that the Wing Nuts are to the inside of the Handle. As the Basket will not fit into position with the Wing Nuts to the inside, remove the Screws on the Handle and turn them around so that the Wing Nuts will be to the outside.
2. Unfold the Handle and Tighten the Wing Nuts so that the Handle will be straight and rigid.
3. Notice that the metal Basket Bottom is scored or bent about ten inches back from the front edge.
4. Place the lower ends of the Basket Springs into the holes of the Basket Bottom. These holes are located between the rear screws of the Basket Rollers. Refer to the exploded view, Basket Springs (Ref. Nos. 36 and 37) are shown in position as dotted lines.
5. Place the lower front of the Basket into the lower Basket Hooks and the upper rear of the Basket into the Hooks on the Handle. Turn the lock on the Handle Hooks downward to hold the Basket firmly in position. Your sweeper is now ready to use.

See next page for operation and maintenance.

OPERATING INSTRUCTIONS

ADJUSTMENTS —

BRUSH HEIGHT: To adjust your Parkerette for brush height, loosen the Wing Nut (Ref. No. 13) and raise or lower the Sweeper until the brush is at the desired height and tighten the Wing Nut. Always keep your brushes adjusted as high as possible. This will add to the life of the machine and brushes, also the machine will run with less resistance.

HOOD ADJUSTMENT: To adjust the Hood (Ref. No. 22), loosen the Wing Nut (Ref. No. 26) which is located at the center of the machine. Raise or lower the Hood to the desired height and then tighten the Wing Nut.

OPERATION — The sweepings can be removed by dumping the Sweeper over forward or by removing the basket from the sweeper and dumping. If dumping in a fire, avoid getting the brushes or the canvas basket too near the flames.

If the brushes should become bent or deformed from continual use, wet thoroughly with water and comb out straight with the fingers. Allow the brushes to dry before sweeping. In severe cases, remove and reverse

the brushes by turning them end-for-end. Remember that brush life is prolonged by adjusting the brushes so they contact the sweeping surface lightly. To store, hang against the wall by removing the basket springs from the basket bottom, collapsing the basket and facing the basket rollers to the wall.

MAINTENANCE — The Parkerette Lawn Sweeper comes to you lubricated and ready to use. A drop or two of automobile crankcase oil should be applied to the wheels and rollers each time the sweeper is used.

year model or purchased; and Serial Number found on your guarantee card.

"Right" and "Left" refer to the sides of the Sweeper with operator standing at the operating position.

Find the part wanted by referring to the drawing, then give the part number, and the quantity desired.

Order all parts from your nearest dealer.

To make valid your guarantee, make certain you have returned your serial identification card.

PARKERETTE ACCESSORIES

WIND APRON

MODEL ~~WR-5028~~

An optional accessory exclusive with Parker Sweepers. The use of a wind apron with your Parkerette Sweeper makes it possible to use your sweeper on the windiest days. Easily attached and removed.

UNIVERSAL TRAILER HITCH

MODEL ~~TH-5001~~
MA-495-D

With this optional accessory you can tow your Parkerette behind any present power riding type lawn equipment you may now have.

Order your Wind Apron and Trailer Hitch by the Model Numbers from your Parker Lawn Sweeper Dealer.

