



Electronic Service Manuals

This electronic document is provided as a service to our customers. We do not create the contents of the information contained in this document. Should you have detailed questions pertaining to the information contained in this document, you may contact Michco, or the manufacturer which provided the original information in this electronic deliverable. Michco's only part in this electronic deliverable was the electronic assembly process. By providing this manual on line we are not guaranteeing parts availability.

You may contact Michco through the following methods:

Phone (517) 484-9312 or (800) 331-3339

2011 N. High St. -- Lansing, Michigan -- 48906

Fax: (517) 484-9836

Email: CustServe@Michco.com

Web site: www.Michco.Com

Parts Web site: www.FloorMachineParts.Com

Order Parts on Line at:

www.FloorMachineParts.Com

Directly to Parts & Service:

By Email: **Shop@Michco.com**

By Fax: (517) 702-2041

By Voice: Use numbers above.

Serving the Cleaning Industry Since 1922

Notice: All copyrighted material remains property of original owners, all trademarks are property of respective owners. Manuals are subject to Manufacturer's reproduction limitations. Originals or reproductions were provided by manufacturers through a request. We make no warranty as to the correctness of information provided in this document and you assume all risk. By placing these manuals on line we are not declaring our corporation to be an manufacturer authorized dealer or provider, please check our web site for authorized manufacturers we represent.

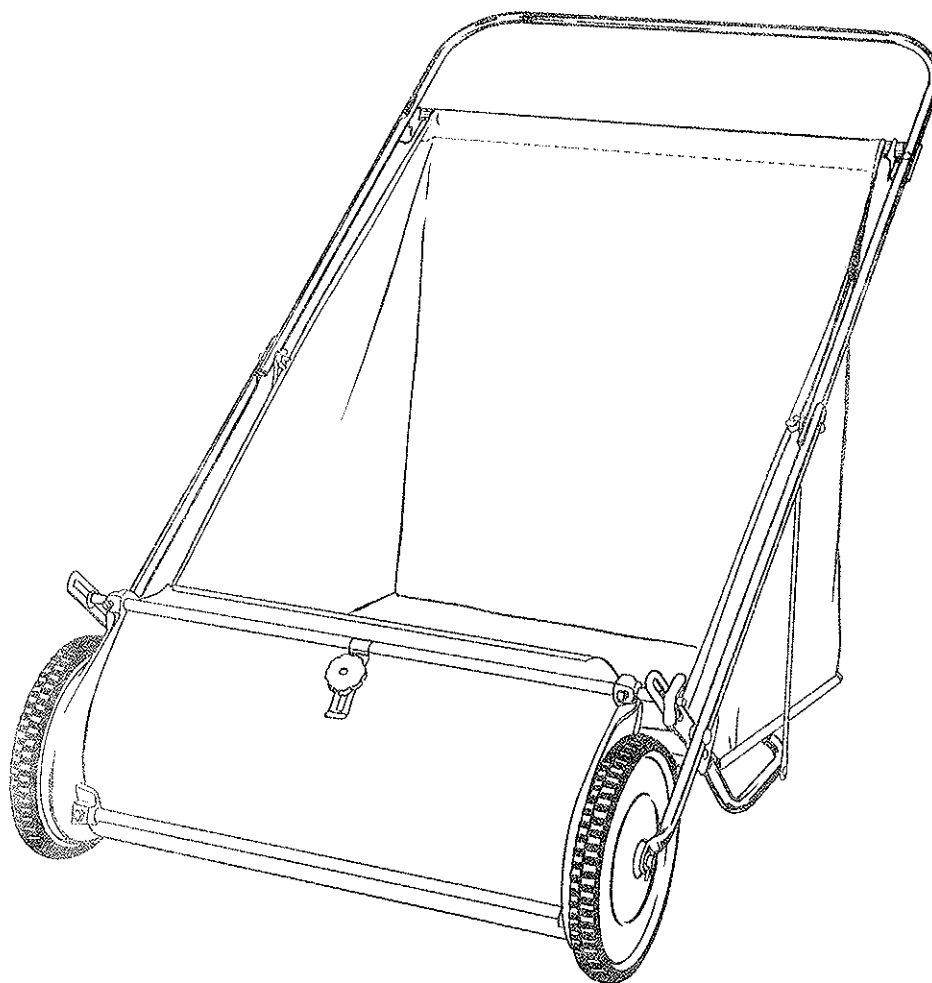
OPERATING INSTRUCTIONS AND PARTS LIST

FOR

AMC

MS-6325

25" LAWN SWEEPER



NOTICE: These instructions were written to assist you in assembling your Lawn Sweeper quickly and correctly. Read instructions thoroughly before attempting assembly so that you are familiar with the complete procedure.

PARKER SWEEPER COMPANY

BOX 720

SPRINGFIELD, OHIO

ASSEMBLY INSTRUCTIONS

1. Place sweeper on flat surface so that it rests on wheels and caster. Unfold handle.
2. Remove wing nut, Ref. No. 29, and two washers, Ref. No. 8, from adjusting bolt, Ref. No. 31, remove the bolt from adjusting tube, Ref. No. 39, remove washer, Ref. No. 48, from bolt. Place adjusting bolt thru brush adjusting bracket, Ref. No. 30, and washer, Ref. No. 48, on right hand side of sweeper, then thru adjusting tube, washer, brush adjusting bracket, Ref. No. 30, and washer on left hand side of sweeper.

Place wing nut on adjusting bolt and tighten.

3. Raise lower handles, Ref. No. 54, remove wing nuts, Ref. No. 55, place holes in handle support rods, Ref. No. 53, over screws, Ref. No. 56, and replace wing nuts. Raise upper handle, Ref. No. 1, into position and finish tightening the wing nuts.
4. Place basket assembly, Ref. No. 6, into position, metal surface is bottom of basket.
5. Make sure that all nuts, bolts, and hardware are tight.

OPERATING INSTRUCTIONS

THE ADJUSTMENT OF THIS SWEEPER IS VERY IMPORTANT FOR EASE OF OPERATION.

Adjusting Hood. To facilitate shipping we have placed hood in its lowest position. To raise the hood to desired height loosen adjusting knob, Ref. No. 22, which holds the hood clamp, Ref. No. 23. The hood is in correct position when it does not drag, or throw sweeping ahead of sweeper.

Adjusting Brush Height. Loosen large wing nut, Ref. No. 29. To raise brushes to extreme height, pull sweeping unit forward as far as slots in brush adjustment brackets, Ref. No. 30, will permit. To lower brushes to lowest position, push sweeping unit backward as far as slots will permit. Secure wing nut when desired brush adjustment is obtained.

1. For grass clippings or leaves, adjust hood, Ref. No. 32, and brushes to highest positions. After trial run on lawn, should the setting be too high, lower slightly and try again until correct position is found. Brush life may be prolonged by adjusting so contact with the ground is light.
2. For patio, sidewalk and driveway sweeping, adjust hood to bottom position. Also adjust brushes to just touch cement.

NOTE: IF SWEEPER PUSHES HARD, THE BRUSHES OR HOOD ARE SET TOO LOW.

Basket. Basket is removable to empty.

Lubrication. Lubricate the sweeper periodically to insure long life and easy operation.

1. Oil wheel gears and pinion gears through oil hole on each side of wheel. Also oil caster roller.

Care and Replacement of Brushes. The brushes used on this sweeper are made of the finest bristles that will give years of service if given proper care. Should they become bent from constant use, dampening and straightening will reset the bristles upright. It is also possible to straighten bristles by reversing the brushes on the reel shaft.

To Reverse or Replace Brushes:

1. Turn sweeper upside down on the ground.
2. Remove the bolts which hold the brush section to the reel shaft, reverse and replace the brushes and retighten the bolts.

Canvas Basket Care. The canvas will give longer life if it is never compressed or stored when wet or damp. Allow canvas to dry thoroughly in upright position before storing.

ALWAYS GIVE THE FOLLOWING INFORMATION WHEN ORDERING REPAIR PARTS

Order all parts from your nearest dealer.

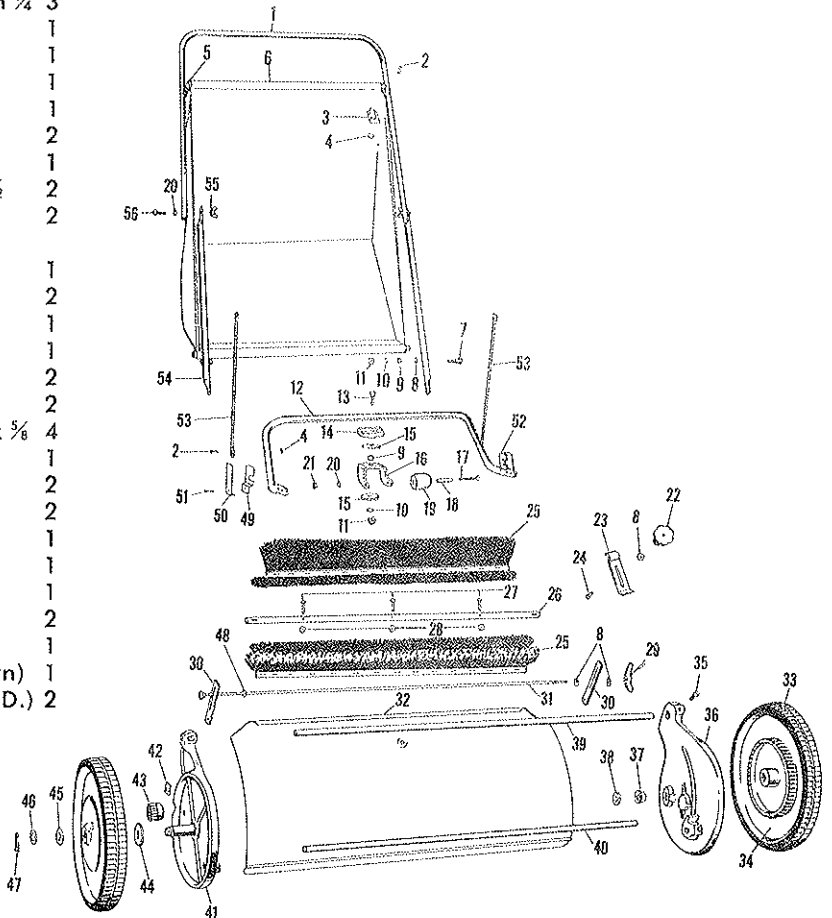
1. Part Number and Quantity.
2. Model Number (found on Hood).
3. Serial Number (found on Guarantee Card).

Your unit is right (R.H.) or left hand (L.H.) as you stand behind it.

* Standard hardware items may be purchased locally.

PARTS LIST

Ref. No.	Part No.	Description	No. Req'd	Ref. No.	Part No.	Description	No. Req'd
1	63-57-D	Upper Handle	1	45	946-816-16	Washer—Fiber (3/4 I.D. x 1 O.D.)	2
2	58-140-A	Rivet	4	46	46-81-A	Washer—Special	2
3	60-26-B	Bracket—Upper Basket	2	47	*380-332-12	Cotter Pin—1/2 dia. x 3/8	2
4	*945-416	SAE Flat Washer 1/4	4	48	*945-616	SAE Flat Washer 3/8	1
5	63-71-B	Dowel—Basket	2	49	62-36-RB	Bracket—Lower Basket—R.H.	1
6	63-75-D	Basket Assembly	1	50	63-56-B	Bracket—Basket Rod Stop	2
7	*70-516-24	Bolt—Carriage 3/8 - 18 x 1 1/2	2	51	59-40-A	Rivet	2
8	*945-516	SAE Flat Washer 3/8	5	52	62-35-LB	Bracket—Lower Basket—L.H.	1
9	54-227-A	Spacer	3	53	63-66-B	Rod—Handle Support	2
10	*936-516	Lock Washer—Internal Tooth 3/8	3	54	55-56-B	Handle—Lower	2
11	*335-516	Nut—Hex 3/8 - 18	3	55	*351-416-18	Wing Nut (1/4 - 20 x 1 1/8 wing span)	2
12	63-67-E	Support	1	56	*515-416-28	Screw—Rd. Hd. 1/4 - 20 x 1 3/4	2
13	*70-516-28	Bolt—Carriage 3/8 - 18 x 1 3/4	1				
14	59-68-B	Pivot Block	1				
15	55-156-A	Washer—Special	2				
16	60-29-B	Fork—Swivel Caster	1				
17	*515-416-44	Screw—Rd. Hd. 1/4 - 20 x 2 3/4	1				
18	45-71-A	Spacer	1				
19	63-52-A	Roller	1				
20	*936-416	Lock Washer—Internal Tooth 1/4	3				
21	*335-416	Nut—Hex 1/4 - 20	1				
22	59-47-B-1	Knob—Adjusting	1				
23	52-145-A	Clamp—Hood	1				
24	*70-416-12	Bolt—Carriage 1/4 - 20 x 3/4	1				
25	52-141-B	Brush Strip Assembly	2				
26	52-140-B	Reel Shaft	1				
27	*515-416-24	Screw—Rd. Hd. 1/4 - 20 x 1 1/2	2				
28	355-416-1	Stamped Square Nut 1/4 - 20	2				
29	351-516-40	Wing Nut (3/8 - 18 x 2 1/4 wing span)	1				
30	55-58-A	Bracket—Brush Adjusting	2				
31	62-141-A	Bolt—Adjusting	1				
32	63-79-D	Hood	1				
33	47-438-C	Tire	2				
34	49-377-C	Wheel	2				
35	560-C-516-10	Set Screw—Sq. Hd. 3/8 - 18 x 3/8	4				
36	63-74-LD	Side Plate—Left Hand	1				
37	59-28-A	Bearing—Nylon	2				
38	55-161-A	Washer—Special	2				
39	63-76-A	Tube—Adjusting	1				
40	62-136-A	Tie Rod—Bottom	1				
41	63-73-RD	Side Plate—Right Hand	1				
42	45-25-A	Pawl	2				
43	56-18-RC	Pinion—Right Hand (shown)	1				
	56-19-LC	Pinion—Left Hand (not shown)	1				
44	946-1216-24	Washer—Fiber (3/4 I.D. x 1 1/2 O.D.)	2				



ACCESSORIES FOR
AMC
MS-6325 AND MS-6328

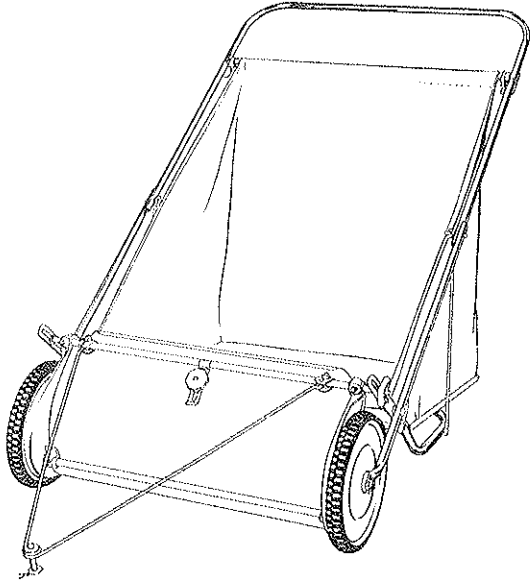


Fig. "A"

POW-R-TOW
Model TH-5301

An optional accessory for towing your AMC Sweeper behind any power, riding-type lawn equipment.

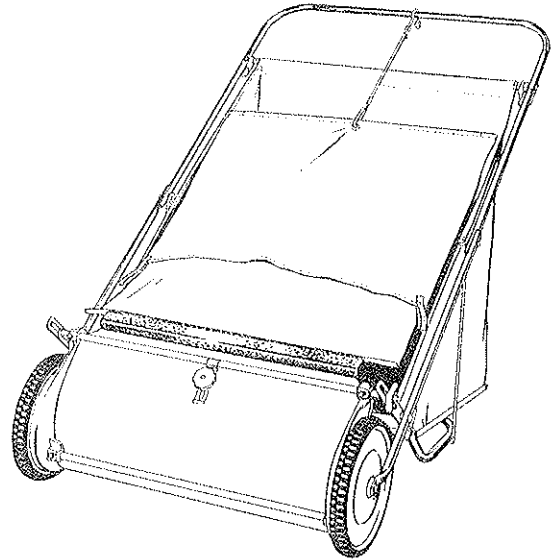


Fig. "B"

WIND APRON
Model WM-6325-8

An optional accessory for your AMC Sweeper, a wind apron makes it possible to use your sweeper on the windiest days. Easily attached and removed.

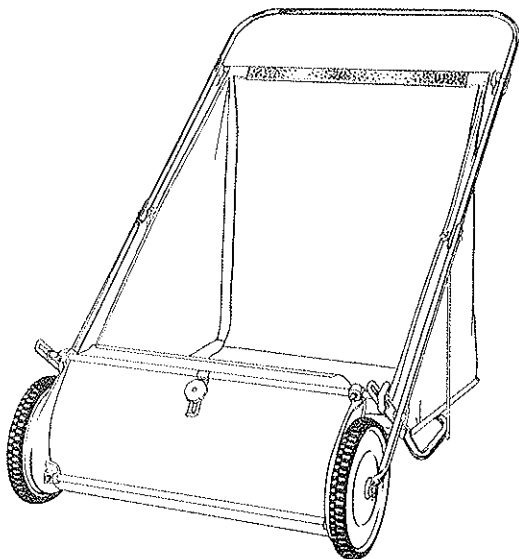


Fig. "C"

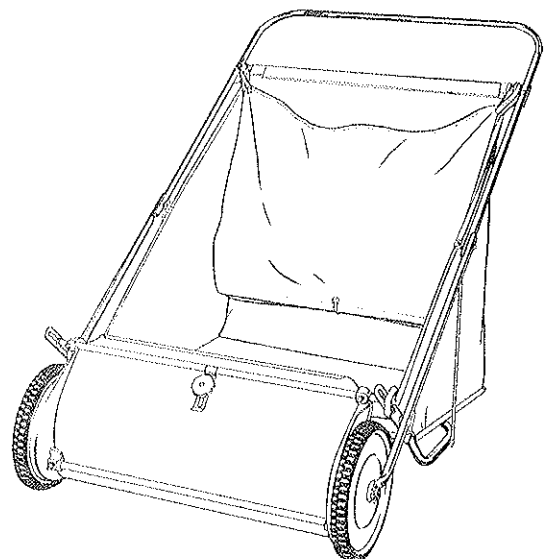


Fig. "D"

BAILER . . . An optional dual-purpose Wind Apron as shown in Fig. "B," and Bailing Accessory as shown in Fig. "C" and "D" giving more load capacity.