



## Electronic Service Manuals

This electronic document is provided as a service to our customers. We do not create the contents of the information contained in this document. Should you have detailed questions pertaining to the information contained in this document, you may contact Michco, or the manufacturer which provided the original information in this electronic deliverable. Michco's only part in this electronic deliverable was the electronic assembly process. By providing this manual on line we are not guaranteeing parts availability.

You may contact Michco through the following methods:

Phone (517) 484-9312 or (800) 331-3339

2011 N. High St. -- Lansing, Michigan -- 48906

Fax: (517) 484-9836

Email: [CustServe@Michco.com](mailto:CustServe@Michco.com)

Web site: [www.Michco.Com](http://www.Michco.Com)

Parts Web site: [www.FloorMachineParts.Com](http://www.FloorMachineParts.Com)

Order Parts on Line at:

**[www.FloorMachineParts.Com](http://www.FloorMachineParts.Com)**

Directly to Parts & Service:

By Email: **[Shop@Michco.com](mailto:Shop@Michco.com)**

By Fax: (517) 702-2041

By Voice: Use numbers above.

**Serving the Cleaning Industry Since 1922**

Notice: All copyrighted material remains property of original owners, all trademarks are property of respective owners. Manuals are subject to Manufacturer's reproduction limitations. Originals or reproductions were provided by manufacturers through a request. We make no warranty as to the correctness of information provided in this document and you assume all risk. By placing these manuals on line we are not declaring our corporation to be an manufacturer authorized dealer or provider, please check our web site for authorized manufacturers we represent.

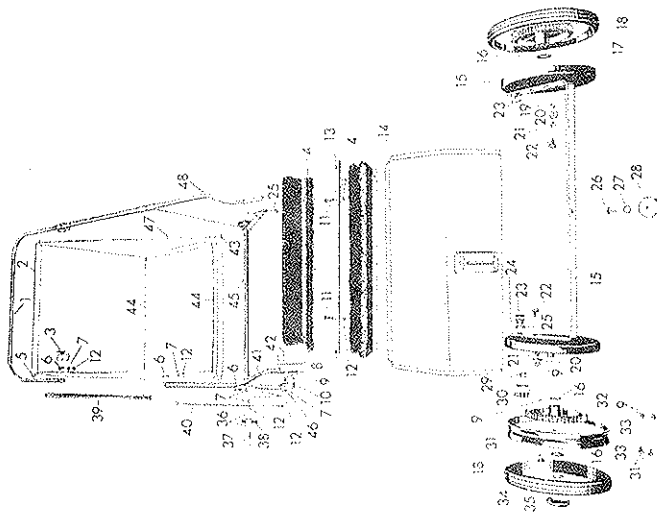
**ALWAYS GIVE THE FOLLOWING INFORMATION WHEN ORDERING REPAIR PARTS**

1. Part Number
  2. Part Name
  3. Model Number of Sweeper
- Your Unit is Right Hand (R.H.) or Left Hand (L.H.) as you stand behind it.

**EXPLODED VIEW OF SWEEPER**

**PARTS LIST**

Ref. No.	Part No.	Description	No. Req'd
1	60-104C	Upper Handle	1
2	60-109D	Basket Assembly	1
3	60-268	Bracket — Upper — Basket	2
4	52-141D	Brush Assembly	2
5	60-106A	Dowel — Top Basket	1
6	*515-416-20	Screw — Round Head 1/4-20 x 1 1/2	6
7	*936-416	Lock Washer — Internal Tooth	10
8	*515-416-8	Screw — Round Head 1/4-20 x 1/2	2
9	*355-416	Nut — Square 1/4-20	8
10	*65-416-12	Screw — Hex Head 1/4-20 x 3/4	2
11	*515-416-24	Screw — Round Head 1/4-20 x 1 1/2	2
12	*335-416	Nut — Hex 1/4-20	14
13	52-140B	Reel Shaft	1
14	59-48F	Hood Assembly	1
15	59-43D	Frame Assembly	4
16	946-1316-20	Washer — Fiber	4
17	59-44C	Wheel Assembly	2
18	54-197B	Tire	2
19	*335-516	Nut — Hex 3/8-18	2
20	*945-516	SAE — Flat Washer	2
21	59-29A	Spacer	2
22	59-55A	Screw — Truss Head — Sems	2
23	55-161A	Washer — Special	2
24	60-12A	Bearings — Nylon	2
25	60-971B	Bracket — Lower Basket	1



Ref. No.	Part No.	Description	No. Req'd
26	*70-516-12	Carriage Bolt 3/8-18 x 3/4	1
27	936-716	Lock Washer — Internal Tooth — Thin	1
28	59-47B	Knob — Adjusting	1
29	45-25A	Pawl	2
30	56-18RC	Pinion — Right Hand	1
31	56-19LC	Pinion — Left Hand	1
32	59-54A	Screw — Truss Head — Sems	6
33	59-268	Gear — Wheel	2
34	59-20C	Rim — Wheel	4
35	998-12	Retaining Ring	2
36	59-46A	Hub Cap	2
37	945-416	SAE Flat Washer 1/4	4
38	65-416-40-1	Screw — Hex Head 1/4-20 x 2 1/2	2
39	60-1038	Handle — Center Section	2
40	60-988	Handle Support	2
41	60-1028B	Handle — Lower Section — Right Hand	1
42	60-968B	Bracket — Lower Basket — Right Hand	1
43	60-107A	Dowel — Lower Basket	1
44	60-105C	Wire — Basket Form	2
45	60-100B	Support — Cross Bar	1
46	60-99B	Support — Rear Roller	2
47	60-108D	Canvas — Basket	1
48	60-1011B	Handle — Lower Section — Left Hand	1

\*Standard hardware items may be purchased locally. Minimum Part Order Charge \$1.00.

ALL PRICES ARE SUBJECT TO CHANGE WITHOUT NOTICE

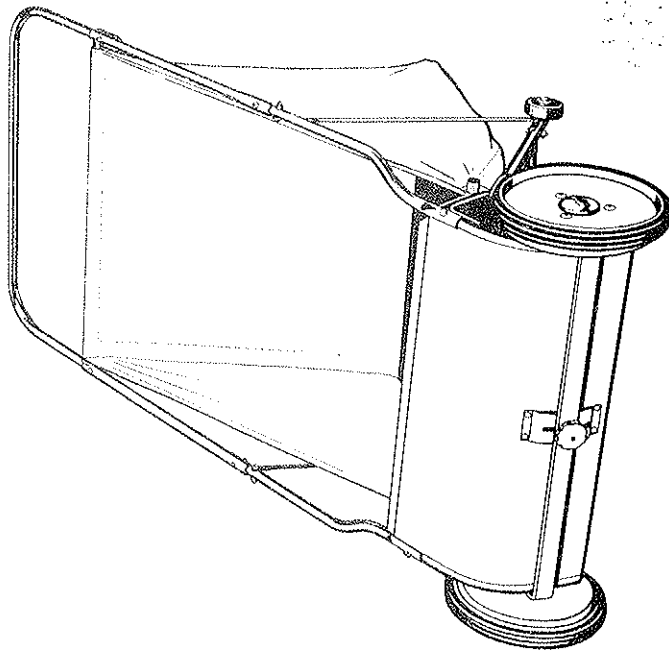
Box 295

**MIAMI INC.** SPRINGFIELD, OHIO

**MIAMI, INC.** SPRINGFIELD, OHIO  
DIVISION OF PARKER SWEEPER COMPANY

Printed in U.S.A.

**OPERATING INSTRUCTIONS AND PARTS LIST FOR LP-10 25" LAWN SWEEPER**



NOTICE: We recommend that the user of our LAWN SWEEPER read all instructions carefully before assembling and operating the Sweeper to obtain the best results. While reading assembly instructions study the assembled view and also the exploded view as to the location and arrangement of parts.

## ASSEMBLY INSTRUCTIONS

1. Install lower handle sections, Ref. No. 41 and 48, to sweeper hood with hex head bolts, Ref. No. 10, and square nuts, Ref. No. 9. Have square nuts to the inside.
2. Connect lower basket brackets, Ref. No. 42 and 25, to sweeper unit. These must assemble to the inside of the sweeper side plates with the basket rod loop up. Use round head screw, Ref. No. 8, lock washer, Ref. No. 7, and nut, Ref. No. 12. This assembly includes rear wheel support, Ref. No. 46. This part is positioned outside of the sweeper side plate. Be sure the head of the screw is toward the inside next to the basket bracket.
3. Connect support cross bar, Ref. No. 45, to each rear wheel support, Ref. No. 46. Use round head screws, Ref. No. 6, lock washer, Ref. No. 7, and nut, Ref. No. 12.
4. Assemble wheels, Ref. No. 38, to rear wheel supports using hex bolt, Ref. No. 37, washer, Ref. No. 36, wheel, Ref. No. 38, washer, Ref. No. 36, and nut, Ref. No. 12. Also assemble handle support, Ref. No. 40, at this time so that the handle supports are arranged as shown in the exploded view. Bolt this assembly to wheel support, Ref. No. 46, using lock washer, Ref. No. 7, and hex nut, Ref. No. 12.
5. Connect center sections of handle, Ref. No. 39, to lower handle sections, Ref. No. 41 and 48. Use round head screw, Ref. No. 6, washer, Ref. No. 7, and hex nut, Ref. No. 12, to assemble handle support, Ref. No. 40, to this junction as shown.
6. Connect upper handle, Ref. No. 1, to handle center sections. Assemble upper basket brackets to this junction using round head screw, Ref. No. 6, washer, Ref. No. 7, and hex nut, Ref. No. 12. Be sure brackets are to the inside with the opening for the basket rod upwards.
7. Straighten basket form wires, Ref. No. 44, so they are square. Insert one of these into the canvas basket bottom slots starting from the rear; the other from the front of the basket bottom as shown.

## ADJUSTING BRUSH HEIGHT

The adjustment of this sweeper is very important for its ease of operation.

The adjustment of brushes is controlled by the knurled knob in front

of sweeper unit. This adjustment will automatically set the hood assembly to the correct position with your brush height selection. The large adjustment range is designed to compensate for brush wear.

1. For grass clippings that just have been cut or loose leaves, adjust brushes to within  $\frac{1}{2}$ " above the grass.
2. Patio, Sidewalk and Driveway Sweeping — adjust brushes to touch cement.

NOTE: If sweeper pushes hard, the brushes are set too low.

## LUBRICATION

Lubricate the sweeper about once each season to insure long unit life and easy operation.

1. Oil the wheel gears and pinion gears through oil hole on each side of wheel hub.
2. It is not necessary to oil nylon brush bearings.

## CARE AND REPLACEMENT OF BRUSHES

The brushes used on this sweeper are made of the finest bristles that will give years of service if given proper care.

Should they become bent from constant use, dampening and straightening will reset the bristles upright. It is also possible to straighten bristles by reversing the brushes on the reel shaft.

To reverse or replace brushes:

1. Turn the sweeper upside down on the ground.
2. Remove the bolts which hold the brush sections to the reel shaft. Reverse and replace the brushes and retighten the bolts.

## CANVAS BASKET CARE

The canvas will give longer life if it is never compressed or stored when wet or damp. Allow the canvas to dry thoroughly in upright position before storing.

## STORAGE

You can hang the sweeper on the wall by the upper handle for storage.