



Electronic Service Manuals

This electronic document is provided as a service to our customers. We do not create the contents of the information contained in this document. Should you have detailed questions pertaining to the information contained in this document, you may contact Michco, or the manufacturer which provided the original information in this electronic deliverable. Michco's only part in this electronic deliverable was the electronic assembly process. By providing this manual on line we are not guaranteeing parts availability.

You may contact Michco through the following methods:

Phone (517) 484-9312 or (800) 331-3339

2011 N. High St. -- Lansing, Michigan -- 48906

Fax: (517) 484-9836

Email: CustServe@Michco.com

Web site: www.Michco.Com

Parts Web site: www.FloorMachineParts.Com

Order Parts on Line at:

www.FloorMachineParts.Com

Directly to Parts & Service:

By Email: **Shop@Michco.com**

By Fax: (517) 702-2041

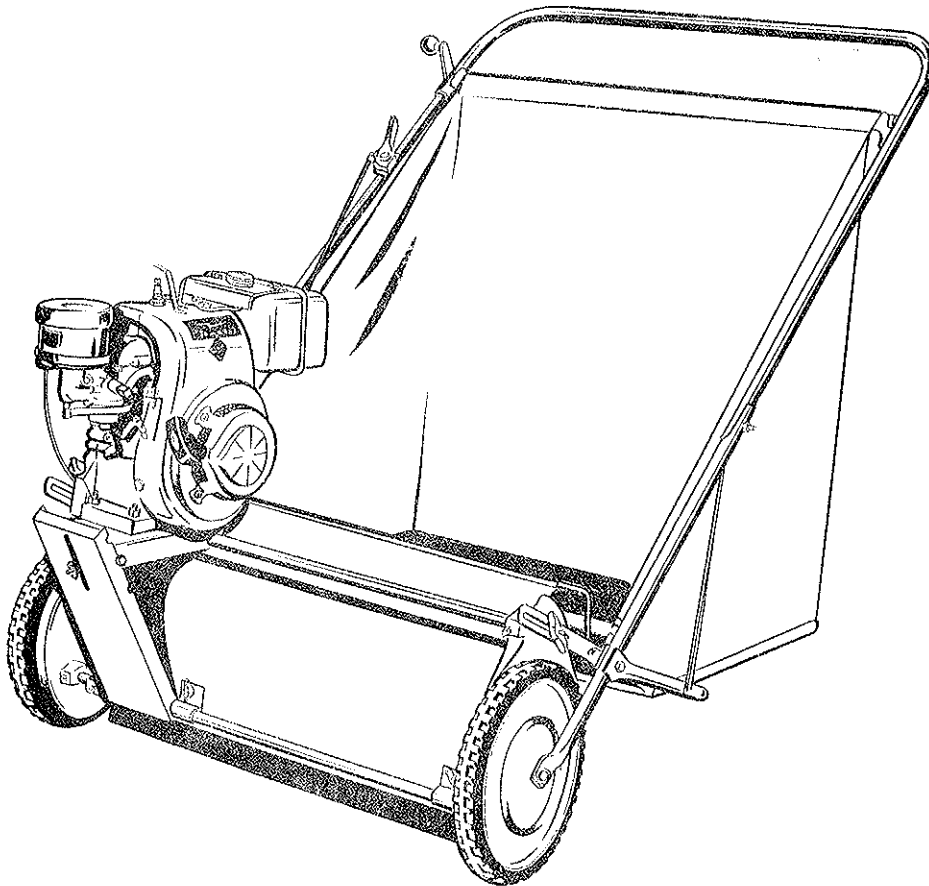
By Voice: Use numbers above.

Serving the Cleaning Industry Since 1922

Notice: All copyrighted material remains property of original owners, all trademarks are property of respective owners. Manuals are subject to Manufacturer's reproduction limitations. Originals or reproductions were provided by manufacturers through a request. We make no warranty as to the correctness of information provided in this document and you assume all risk. By placing these manuals on line we are not declaring our corporation to be an manufacturer authorized dealer or provider, please check our web site for authorized manufacturers we represent.

OPERATING INSTRUCTIONS
AND PARTS LIST FOR

POWER PRIDE
SELF-PROPELLED LAWN SWEEPER
Model DS-6225



NOTICE: These instructions were written to assist you in assembling your Lawn Sweeper quickly and correctly. Read instructions thoroughly before attempting assembly so that you are familiar with the complete procedure.

MIAMI INC.

Box 295

SPRINGFIELD, OHIO

DIVISION OF PARKER SWEEPER COMPANY

ASSEMBLY INSTRUCTIONS

1. Turn the screws, nuts, and washers, Ref. Nos. 5, 6, and 7, Fig. 2, around, so that heads of screws are on inside of handle. Bring upper handle, Ref. No. 46, Fig. 2, into its proper position so that it nests with the two lower handles, Ref. No. 12, Fig. 2, and tighten screws and nuts securely.
 2. Insert second screw and nut, Ref. Nos. 33 and 4, Fig. 2, through clutch control rods, Ref. Nos. 31 and 34, and tighten both screws holding these pieces together.
 3. Bolt both handle support rods, Ref. No. 23, Fig. 1, to lower tubular frame, Ref. No. 24, Fig. 1.
 4. Place basket, Ref. No. 48, Fig. 2, into brackets.
 5. Change engine mounting base to middle position as shown on front cover so that engine is approximately level — 3 positions are provided so that engine is always approximately level throughout the entire range of brush adjustment.
- Read the operating instructions for Adjustment and Maintenance.

OPERATING INSTRUCTIONS

IMPORTANT: Read engine manual carefully before operating, and add oil and gasoline to engine as instructed. When ready to start engine, be sure that clutch is disengaged.

BRUSH HEIGHT ADJUSTMENT. Loosen large wing nut, Ref. No. 9, Fig. 2. To raise brushes to extreme height, pull sweeping unit forward as far as slots in brush adjustment brackets, Ref. No. 11, Fig. 2, will permit. To lower brushes to lowest position, push sweeping unit backwards as far as slots will permit. Secure wing nut when desired brush adjustment is obtained.

1. For grass clippings or leaves, adjust hood extension, Ref. No. 10, Fig. 3, and brushes to highest positions. After trial run on lawn, should the settings be too high, lower slightly and try again until correct setting is found. Brush life may be prolonged by adjusting so contact with ground is light.

2. For patio, sidewalk, and driveway sweeping, adjust hood extension to bottom position. Also adjust brushes so they just contact cement. Remember, always keep engine approximately level at all times.

NOTE: IF SWEEPER PUSHES HARD, THE BRUSHES OR HOOD ARE SET TOO LOW.

BASKET. Basket is removable for dumping.

MAINTENANCE. Oil sweeper at points marked "oil" (see Fig. 1), every time machine is used or once or twice a day when machine is used all day. Wet grass clippings have a tendency to dry and adhere to inner face of hood; it is important to keep this face clean at all times for good sweeping action. The canvas will give longer life if it is never folded when wet or damp.

ALWAYS GIVE THE FOLLOWING INFORMATION WHEN ORDERING REPAIR PARTS

Order all parts from your nearest dealer.

1. Part Number and Quantity.
2. Model Number (found on hood).
3. Year Model.

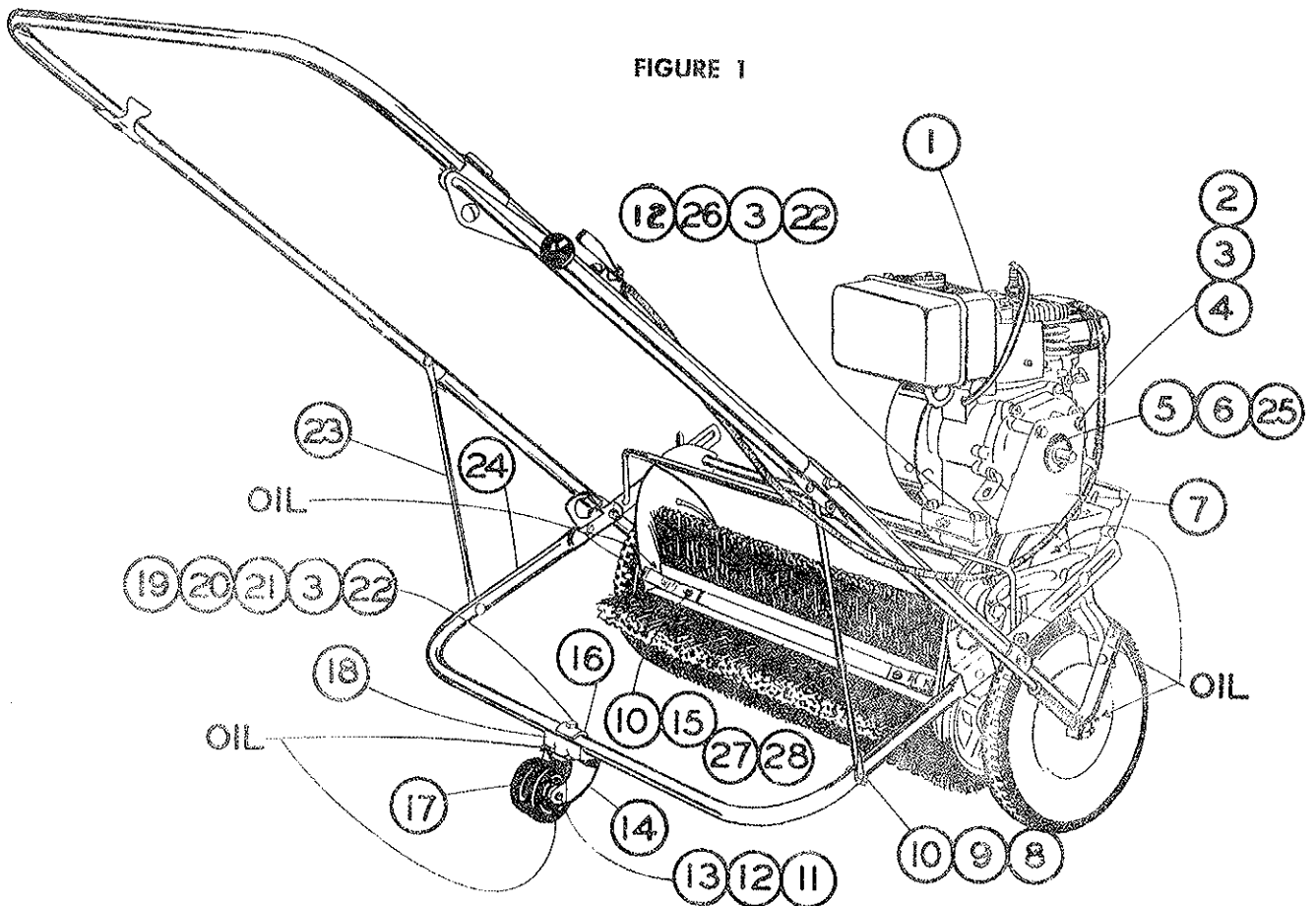
Your unit is right hand (R.H.) or left hand (L.H.) as you stand behind it.

*Standard hardware items may be purchased locally.

SUPPORT FRAME AND ENGINE ASSEMBLY FIGURE 1

Ref. No.	Part No.	Qty. Req'd.	Description	Ref. No.	Part No.	Qty. Req'd.	Description
1	62-97A	1	Engine	15	*515-416-28	2	Rd. Hd. Screw $\frac{1}{4}$ - 20 x $1\frac{1}{4}$
2	*60-516-32	2	Hex Head Bolt $\frac{3}{8}$ - 24 x 2	16	59-77A	1	Clamp
3	*936-516	7	Lock Washer $\frac{3}{8}$	17	47-44A-1	2	Roller
4	60-58A	2	Spacer	18	59-68B	1	Pivot Block
5	60-55A	1	Pulley --- 2" O.D. $\frac{5}{8}$ Bore	19	*65-516-28	1	Hex Hd. Bolt $\frac{3}{8}$ - 18 x $1\frac{1}{4}$
6	565-516-6	1	Set Screw --- Slot Head $\frac{3}{8}$ - 18 x $\frac{3}{8}$	20	55-156A	1	Washer --- Special
7	60-27B	1	Belt Guard	21	54-227A	1	Spacer
8	*70-416-16	2	Carriage Bolt $\frac{1}{4}$ - 20 x 1	22	*335-516	5	Hex Nut $\frac{3}{8}$ - 18
9	*936-416	2	Lock Washer $\frac{1}{4}$	23	60-40B	2	Support
10	*335-416	4	Hex Nut $\frac{1}{4}$ - 20	24	62-40F	1	Caster Support Frame
11	60-53A	1	Axle --- Caster	25	48-277A	1	Key $\frac{3}{8}$ x $\frac{3}{8}$ x $1\frac{1}{8}$
12	*945-516	2	Washer SAE $\frac{3}{8}$	26	*65-516-24	4	Hex Head Bolt $\frac{3}{8}$ - 18 x $1\frac{1}{2}$
13	59-45A	1	Retainer	27	60-83B	4	Guard --- Anti Weep Wrap
14	60-29B	1	Caster Fork	28	*935-416	4	Lock Washer --- SAE $\frac{1}{4}$

FIGURE 1

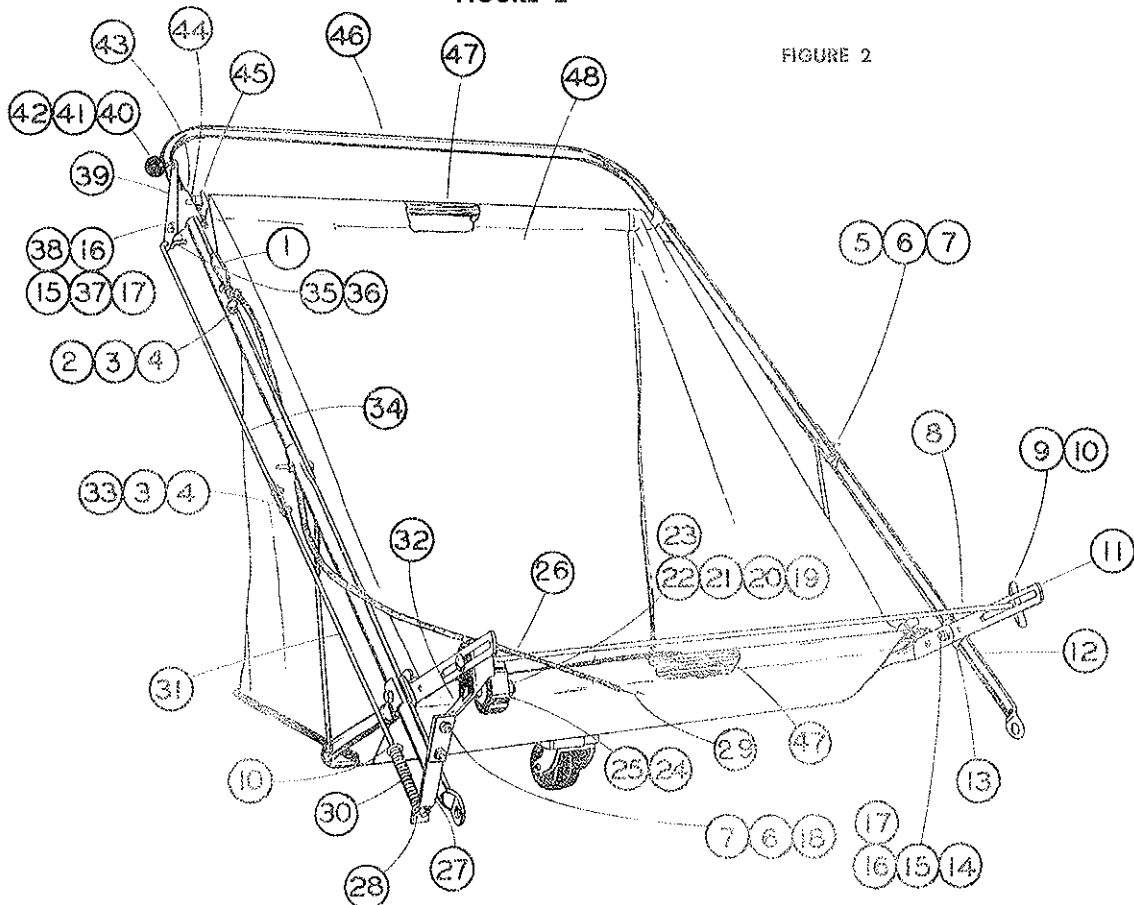


UPPER FRAME - BASKET AND CLUTCH ASSEMBLY

FIGURE 2

Ref. No.	Part No.	Qty. Req'd.	Description	Ref. No.	Part No.	Qty. Req'd.	Description
1	62-95A-1	1	Throttle Handle Assembly	25	60-63A	2	Nylon Bearings
2	*515-10-16	2	Round Hd. Screw 10 - 24 x 1	26	20-55-6	1	Throttle Cable
3	*936-10	4	Lock Washer No. 10	27	60-23A	1	Clutch Bracket
4	*335-10	4	Hex Nut No. 10 - 24	28	60-62A	1	Roll Pin 1/8
5	*515-416-28	2	Rd. Hd. Screw 1/4 - 20 x 1 1/2	29	30-59-054	1	Wire - Throttle
6	*936-416	4	Lock Washer 1/4	30	60-46A	1	Clutch Spring
7	*335-416	4	Hex Nut 1/4 - 20	31	60-33B	1	Lower Clutch Rod
8	60-57A	1	Adjustment Bolt	32	60-37D	1	Clutch Bell Crank
9	351-516-40	1	Wing Nut 5/8 - 18 x 2 1/2	33	*515-10-8	2	Rd. Hd. Screw 10 - 24 x 1/2
10	*945-516	3	Washer SAE 5/8	34	60-32B	1	Upper Clutch Rod
11	60-21A	2	Brush Adjusting Bracket	35	59-29A	1	Spacer
12	60-35B	2	Lower Handle	36	60-60A	1	Retainer - Push On Type 3
13	59-77A	4	Clamp	37	526-516-12	1	Truss Hd. Screw 5/8 - 18 x 3/4
14	*65-516-28	2	Hex Hd. Bolt 5/8 - 18 x 1 1/4	38	946-816-16	1	Fiber Washer
15	54-227-A	3	Spacer	39	60-28A	1	Clutch Handle
16	*936-516	3	Lock Washer 5/8	40	55-130A	1	Plastic Knob
17	*335-516	3	Hex Nut 5/8 - 18	41	526-516-16	1	Truss Head Screw 5/8 - 18 x 1
18	*65-416-12	2	Hex Head Bolt 1/4 - 20 x 3/4	42	340-516	2	Hex Jam Nut 5/8 - 18
19	*60-716-24	1	Hex Hd. Bolt 3/8 - 20 x 1 1/2	43	57-182A	1	Clutch Handle Bracket
20	*945-716	1	Washer SAE 3/8	44	58-140A	2	Rivet
21	60-64A	1	Bushing	45	60-26B	2	Upper Basket Bracket
22	*936-716	1	Lock Washer 3/8	46	62-93F	1	Upper Handle Assembly
23	345-716	1	Hex Jam Nut - Light 3/8 - 20	47	60-52B	2	Basket - Dowel
24	60-66A	1	Idler Pulley	48	62-39D	1	Basket Assembly Complete

FIGURE 2



SWEEPER UNIT ASSEMBLY FIGURE 3

Ref. No.	Part No.	Qty. Req'd.	Description	Ref. No.	Part No.	Qty. Req'd.	Description
1	48-25A	2	Pawl	21	60-19D	1	Right Hand Side Plate
2	56-191C	1	Pinion — Left Hand	22	946-1216-24	2	Fiber Washer
3	49-377C	2	Wheel	23	47-438C	2	Tire
4	560-C-516-10	6	Set Screw $\frac{3}{8}$ - 18 x $\frac{3}{8}$	24	46-81A	2	Special Washer
5	*70-416-12	2	Carriage Bolt $\frac{1}{4}$ - 20 x $\frac{3}{4}$	25	*380-332-12	2	Cotter Pin $\frac{3}{2}$ x $\frac{3}{4}$
6	*945-516	2	Washer SAE $\frac{3}{8}$	26	946-816-16	2	Fiber Washer
7	*351-416-18	3	Wing Nut $\frac{1}{2}$ - 20 x 1 $\frac{1}{2}$	27	56-18RC	1	Pinion — Right Hand
8	*945-416	1	Washer — SAE $\frac{1}{2}$	28	50-33A	2	Special Washer
9	*335-416	1	Hex Nut $\frac{1}{2}$ - 20	29	55-161A	4	Special Washer
10	60-45C	1	Rubber Hood Extension	30	60-63A	2	Nylon Bearing
11	*515-416-32	1	Round Hd. Screw $\frac{1}{4}$ - 20 x 2	31	56-121B	1	2 Step Pulley
12	60-50B	1	Bottom Tie Rod	32	60-56A	1	Upper V Belt 4L220 A Sec.
13	60-22B	2	Hood Clamp	33	280-9	1	Woodruff Key No. 9
14	60-24C	1	Adjustable Engine Brace	34	60-49B	1	Reel Shaft
15	49-17A	4	Brush Bracket	35	60-25C	1	Engine Base Plate
16	52-141B	Set of 2	Brush Assembly	36	60-65A	1	Adjustable Engine Base Pin
17	60-20D	1	Inner Side Plate	37	62-169D	1	Hood Assembly
18	54-128A	1	Lower V Belt 4L270 A Sec.	38	60-51B	1	Tubular Tie Rod
19	60-54A	1	Pulley 5.25 O.D. $\frac{3}{8}$ Bore	39	60-18D	1	Left Hand Side Plate
20	59-28A	2	Nylon Bearing				

FIGURE 3

FIGURE 3

