



Electronic Service Manuals

This electronic document is provided as a service to our customers. We do not create the contents of the information contained in this document. Should you have detailed questions pertaining to the information contained in this document, you may contact Michco, or the manufacturer which provided the original information in this electronic deliverable. Michco's only part in this electronic deliverable was the electronic assembly process. By providing this manual on line we are not guaranteeing parts availability.

You may contact Michco through the following methods:

Phone (517) 484-9312 or (800) 331-3339

2011 N. High St. -- Lansing, Michigan -- 48906

Fax: (517) 484-9836

Email: CustServe@Michco.com

Web site: www.Michco.Com

Parts Web site: www.FloorMachineParts.Com

Order Parts on Line at:

www.FloorMachineParts.Com

Directly to Parts & Service:

By Email: **Shop@Michco.com**

By Fax: (517) 702-2041

By Voice: Use numbers above.

Serving the Cleaning Industry Since 1922

Notice: All copyrighted material remains property of original owners, all trademarks are property of respective owners. Manuals are subject to Manufacturer's reproduction limitations. Originals or reproductions were provided by manufacturers through a request. We make no warranty as to the correctness of information provided in this document and you assume all risk. By placing these manuals on line we are not declaring our corporation to be an manufacturer authorized dealer or provider, please check our web site for authorized manufacturers we represent.

PARTS LIST
for
PARKER

Industrial

FLOOR SWEEPER

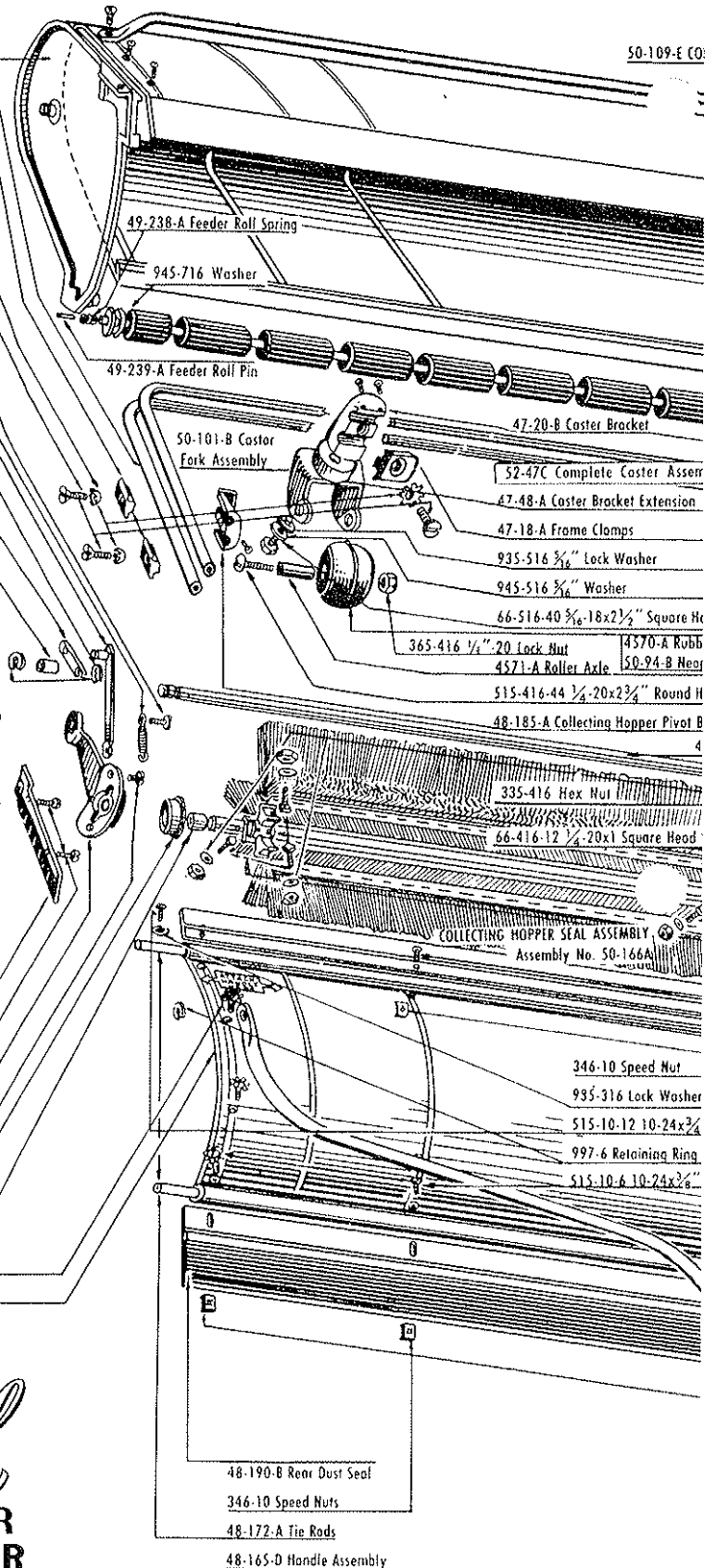
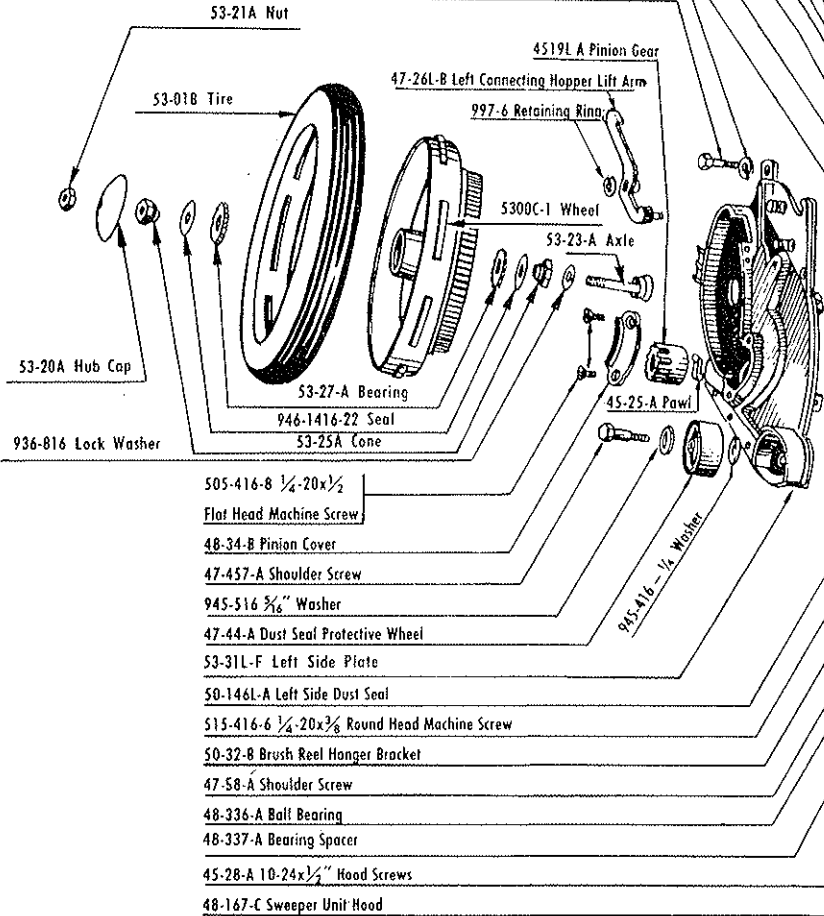
MODEL
PSF 5328



BANKS • HOTELS • SIDEWALKS AND LOBBYS • FLOORS OF GARAGES • STOCK ROOMS • SHIPPING DOCKS • DEPOTS • WAITING ROOMS • DANCE HALLS • RINKS • AUDITORIUMS • FACTORIES

PARKER
PS SWEEPER *Company*
ESTABLISHED 1884 SPRINGFIELD, OHIO • U. S. A.

- 49-243L-E Left Collecting Hopper Side Plate
- 48-169-B Collecting Hopper Frame
- 47-18-A Frame Clamp
- 938-516 3/16" Countersunk Lock Washer
- 505-516-16 3/16-18x1" Flat Head Machine Screw
- 515-416-6 1/4-20x3/8" Round Head Screw
- 47-45-A Brush Reel Hanger Spring
- 47-32-A Brush Hanger Connecting Link
- 997-6 Retaining Ring
- 50-36-A Brush Reel Adjustment Link
- 50-37-A Brush Reel Adjustment Rod Bushing
- 935-516 3/16" Lock Washer
- 65-516-16 3/16-18-1" Hex Head Cap Screw

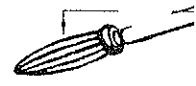


PARKER

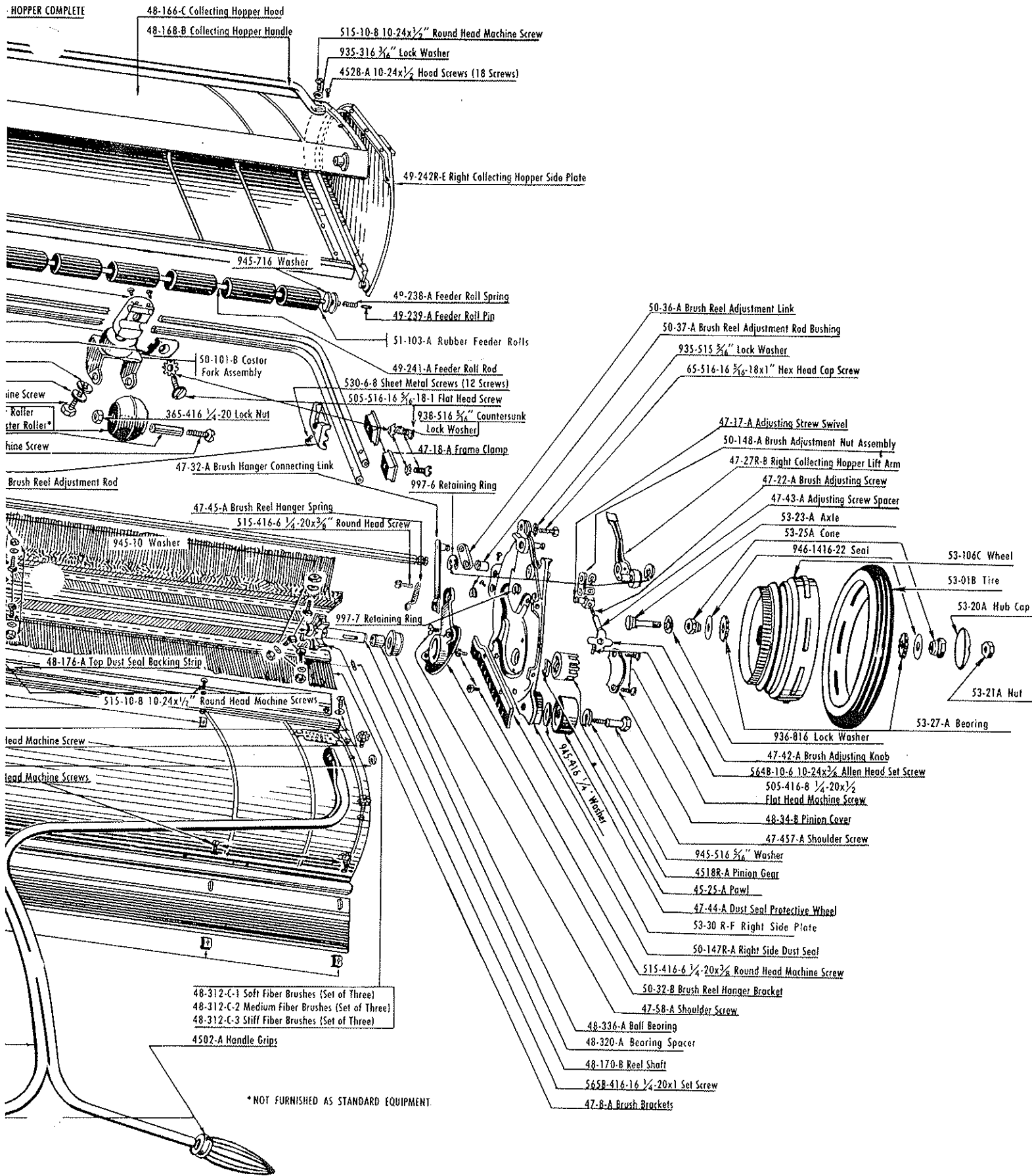
Industrial

FLOOR SWEEPER

MODEL PSF 5328



HOPPER COMPLETE



* NOT FURNISHED AS STANDARD EQUIPMENT