



Electronic Service Manuals

This electronic document is provided as a service to our customers. We do not create the contents of the information contained in this document. Should you have detailed questions pertaining to the information contained in this document, you may contact Michco, or the manufacturer which provided the original information in this electronic deliverable. Michco's only part in this electronic deliverable was the electronic assembly process. By providing this manual on line we are not guaranteeing parts availability.

You may contact Michco through the following methods:

Phone (517) 484-9312 or (800) 331-3339

2011 N. High St. -- Lansing, Michigan -- 48906

Fax: (517) 484-9836

Email: CustServe@Michco.com

Web site: www.Michco.Com

Parts Web site: www.FloorMachineParts.Com

Order Parts on Line at:

www.FloorMachineParts.Com

Directly to Parts & Service:

By Email: **Shop@Michco.com**

By Fax: (517) 702-2041

By Voice: Use numbers above.

Serving the Cleaning Industry Since 1922

Notice: All copyrighted material remains property of original owners, all trademarks are property of respective owners. Manuals are subject to Manufacturer's reproduction limitations. Originals or reproductions were provided by manufacturers through a request. We make no warranty as to the correctness of information provided in this document and you assume all risk. By placing these manuals on line we are not declaring our corporation to be an manufacturer authorized dealer or provider, please check our web site for authorized manufacturers we represent.



Power Eagle™ 1016/1020

Self-Contained Carpet Extractor

U.S. Patent No.: 4,956, 891

Model No.:

608540 – 1016

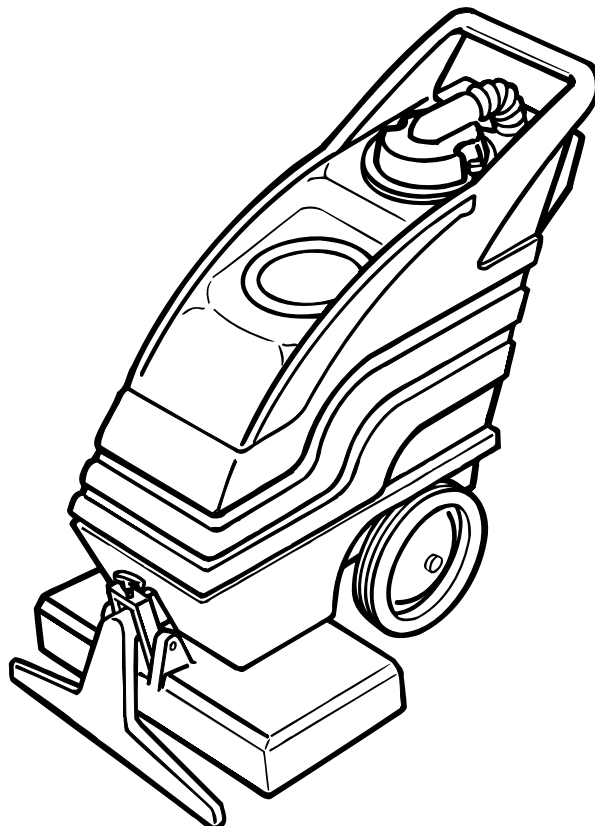
609233 – 1016 (Can.)

608527 – 1020

609232 – 1020 (Can.)

609807 – 1020 (230V/50HZ)

Operator and Parts Manual



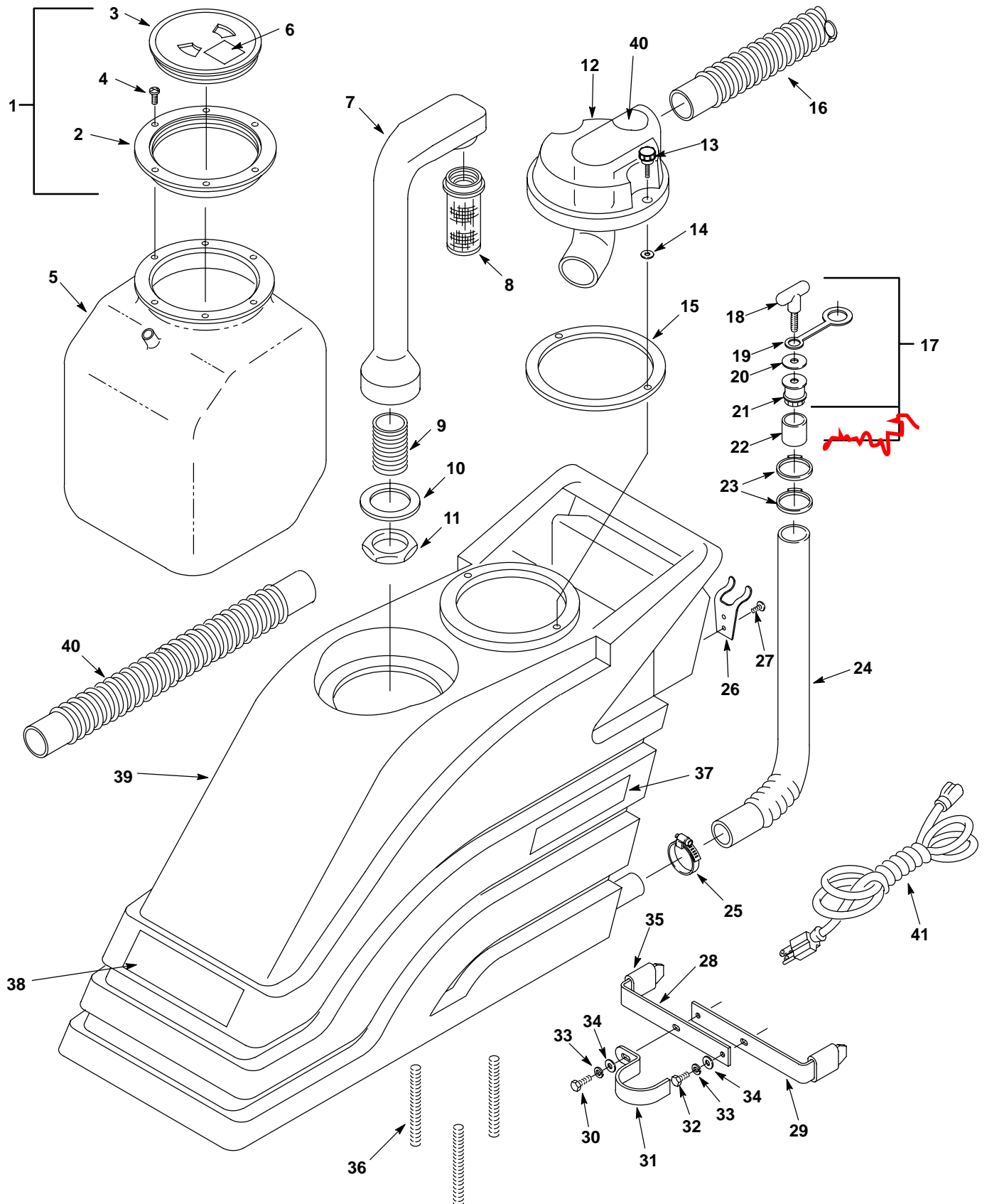
NOBLES

12875 RANSOM STREET
HOLLAND MI 49424 U.S.A.

CUSTOMER SERVICE: 1-800-365-6625
FAX: 1-800-678-4240

608529
Rev. 01 (03-00)

RECOVERY TANK GROUP



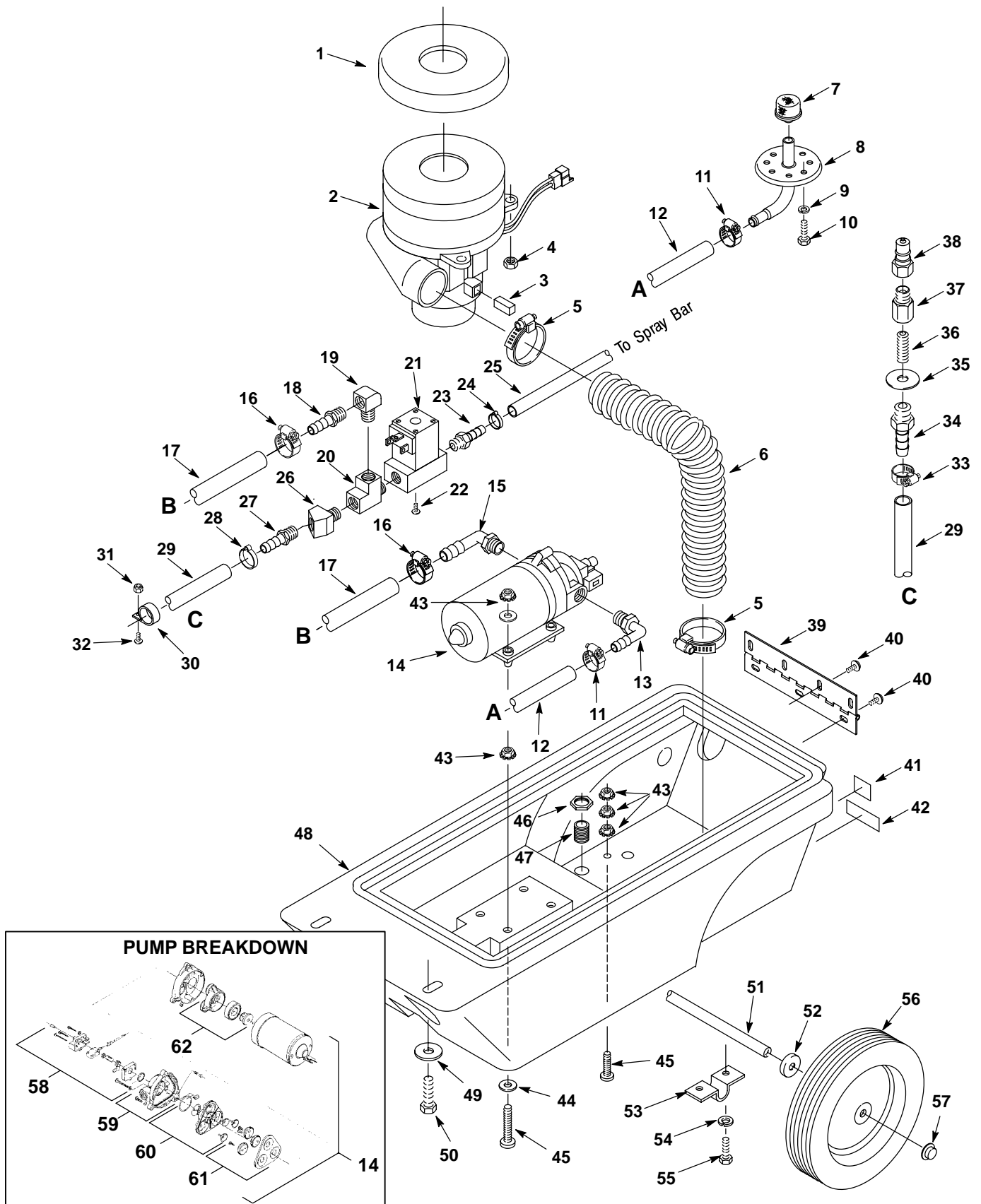
PARTS LIST

RECOVERY TANK

REF	PART #	DESCRIPTION	QTY.
1	100103	ASM., LID	1
2	100109	LID, OUTER RING	1
3	100105	LID, CENTER	1
4	140900	SCREW, 10-24X3/4	6
5	602715	BLADDER, TANK	1
6	578729	DECAL, READ MANUAL	1
7	602448	STAND PIPE	1
8	180613	FLOAT, SHUT-OFF	1
9	606088	FITTING, 1-1/2" NIPPLE CPVC	1
10	101714	GASKET	1
11	210240	NUT, FLANGED METAL 1-1/2 FPT	1
12	602497	ASM., DOME	1
13	240217	KNOB, DOME	1
14	140037	WASHER, NYLON	2
15	100142	GASKET, RECOVERY DOME	1
16	160464	HOSE, VAC, 11/2"X53" W/ CUFFS	1
17	701061	ASM., DRAIN PLUG	1
18	230831	KNOB, DRAIN HOSE	1
19	230882	STRAP, RUBBER	1
20	140056	WASHER, FENDER	1
21	140955	PLUG, DRAIN HOSE	1
22	140921	SLEEVE, DRAIN HOSE	1
23	140072	CLAMP	1
24	160418	HOSE, DRAIN	1

REF	PART #	DESCRIPTION	QTY.
25	140307	CLAMP, HOSE	1
26	230696.BK	BRACKET, HOSE HGR.	1
27	140826	SCREW, #6X3/4	2
28	230844	BRACKET W/ HOLES, TANK BRACE	1
29	230843	BRACKET W/ THDS, TANK BRACE	1
30	140259	SCREW, 1/4-20X5/8	1
31	230955	CLAMP, TANK BRACE	2
32	140553	SCREW, 1/4-20X1/2	1
33	140016	WASHER, 1/4 LOCK	2
34	140000	WASHER, FLAT	2
35	102569	GASKET, TANK	1
36	140227	SCREW, STUD, 1/4-20X5	3
37	608504	DECAL, POWER EAGLE 1016	2
	608528	DECAL, POWER EAGLE 1020	2
38	608186	DECAL, NOBLES LOGO	1
39	608532	TANK, RECOVERY, GREEN	1
40	160424	HOSE,CLEANOUT1.5"X36"	1
41	130250	CORD, 16/3X50' YELLOW (120V)	1

CHASSIS GROUP



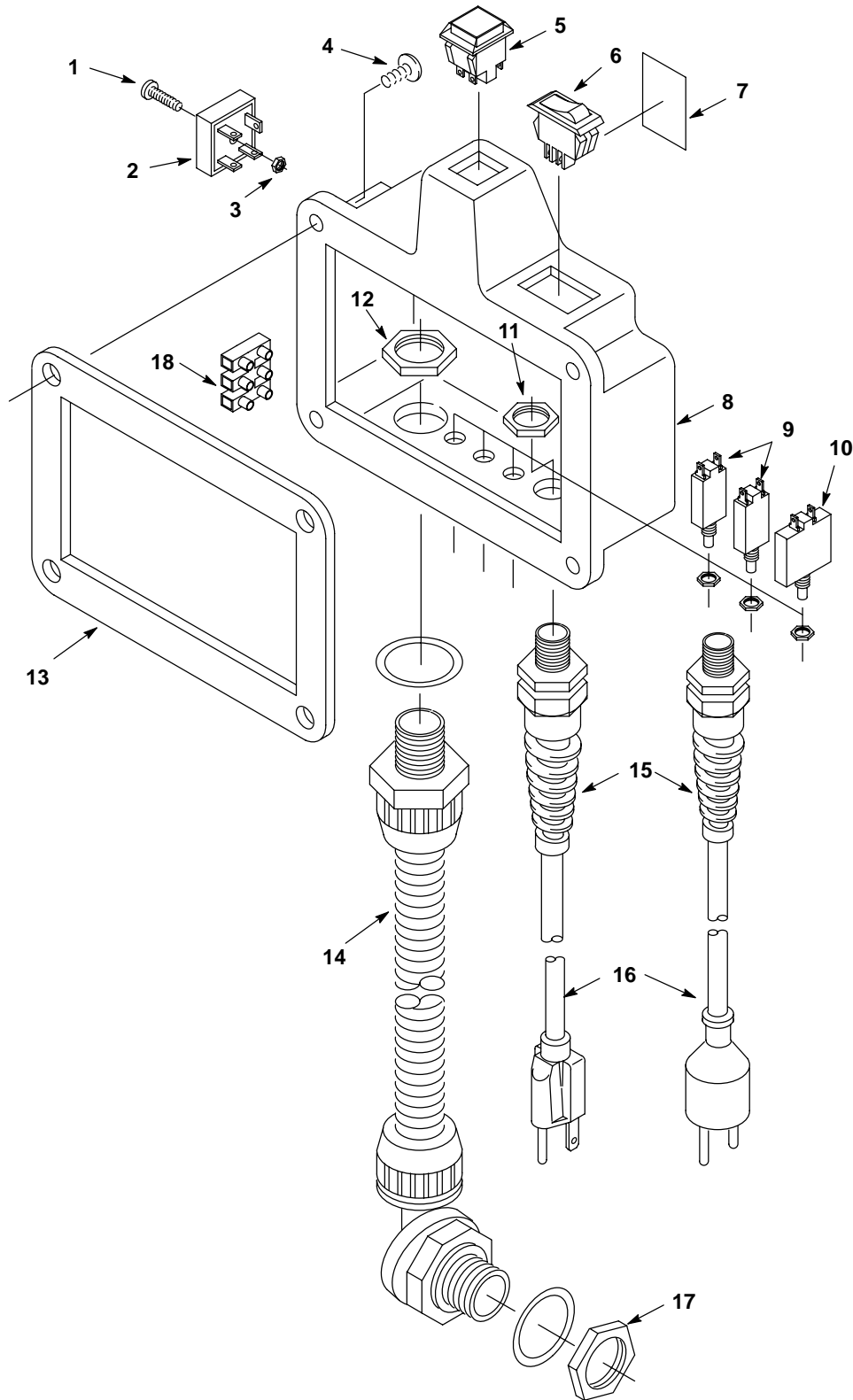
PARTS LIST

CHASSIS GROUP

REF	PART #	DESCRIPTION	QTY.
1	100118	GASKET, MOTOR VAC, 120V	1
	100038	GASKET, MOTOR VAC, 230V/240V	1
2	130996	MOTOR, VAC 5.7/3 STG 120V (1020)	1
	130416	MOTOR, VAC 5.7/3 STG 120V (1016)	1
	130403	MOTOR, VAC 5.7/2 STG 230V/240V	1
3	602741	BRUSH, CARBON, 120V (130996) 2 /PK	2
	190160	BRUSH, CARBON, 230V/240V (130416) – 2/PK	2
	190158	BRUSH, CARBON, 230V/240V (130403) – 2/PK	2
4	140501	NUT, NYLOCK, 1/4–20	1
5	140308	CLAMP, HOSE	2
6	069760778	HOSE, EXHAUST 2"X24"	1
7	180628	SCREEN, TANK	1
8	600451	BLADDER PLATE	1
9	140016	WASHER, LOCK	4
10	140259	SCREW, 1/4–20X5/8	4
11	140310	CLAMP, HOSE	2
12	606245	HOSE, 3/8"X30.9" LP	1
13	150425	ELBOW, 3/8MX3/8H	1
14	180103	PUMP, 100PSI, 120V	1
	180109	PUMP, 100PSI, 230V/240V	1
15	150425	ELBOW, 3/8MX1/2H	1
16	630369	CLAMP, HOSE	2
17	607705	HOSE, 1/2"X24"	1
18	150517	FITTING, BARB 1/4MX1/2H	1
19	150406	ELBOW, 1/4", STRT 90	1
20	150709	TEE, 1/4"	1
21	210033	VALVE, SOLENOID, 120V	1
	210036	VALVE, SOLENOID, 230V 50HZ	1
	604073	VALVE, SOLENOID, 230V 60HZ	1
	210260	VALVE, SOLENOID, 240V 50HZ	1
22	140801	SCREW, 8–32X3/8	2
23	150515	FITTING, BARB 1/4MX1/4H	1
24	140325	CLAMP, EAR	1
25	606244	HOSE, 1/4"X15" LP	1
26	150403	ELBOW, 1/4" 45°	1
27	150516	FITTING, BARB 1/4MX3/8H	1
28	140301	CLAMP	1
29	606246	HOSE, 3/8"X4.33' LP	1
30	140323	CLAMP, EAR	1
31	140552	NUT, 10–24 NYLOCK	3

REF	PART #	DESCRIPTION	QTY.
32	140823	SCREW, 10–24X5/8	1
33	140310	CLAMP, HOSE	1
34	150511	FITTING, BARB 1/4FX3/8H	1
35	140008	WASHER, FLAT	1
36	150600	NIPPLE, 1/4"X2"	1
37	150000	ADAPTER, 1/4FX1/4M	1
38	150923	PLUG, QUICK COUPLER	1
39	230390	HINGE, SOL/REC TANK	1
40	140885	SCREW, 1/4–20X1/2	7
41	N/A	DECAL, SERIAL TAG	1
42	120619	DECAL, WARNING EXTRACT.	1
43	140519	NUT, 10–24 KEP	11
44	140012	WASHER, FLAT	8
45	140889	SCREW, 1/4–20X3/4	5
46	140504	NUT, CONDUIT LOCK 1/2"	1
47	130181	GRIP, CORD	1
48	608530	CHASSIS, GREEN	1
49	140028	WASHER, FLAT	2
50	140202	SCREW, 3/8–16X1	2
51	230739	AXLE, .50DIA X 13.12"	1
52	140008	WASHER, FLAT	2
53	230746	BRACKET, AXLE OFFSET	2
54	140016	WASHER, 1/4 LOCK	4
55	140259	SCREW, 1/4–20X5/8	4
56	103059	WHEEL, 25.4CM	2
57	103019	CAP, HUB	2
58	190129	KIT, PUMP PRESSURE SWITCH	1
	190172	KIT, PUMP PRES SWITCH (VITON)	1
	190134	KIT, PUMP DIAPHRAGM ONLY	1
59	190128	KIT, PUMP UPPER HOUSING	1
	190124	KIT, PUMP CHECK VALVE ONLY	1
60	190171	KIT, PUMP VALVE (VITON)	1
61	190131	KIT, PUMP SERVICE	1
62	190130	KIT, PUMP LOWER HOUSING	1

CONTROL CONSOLE GROUP



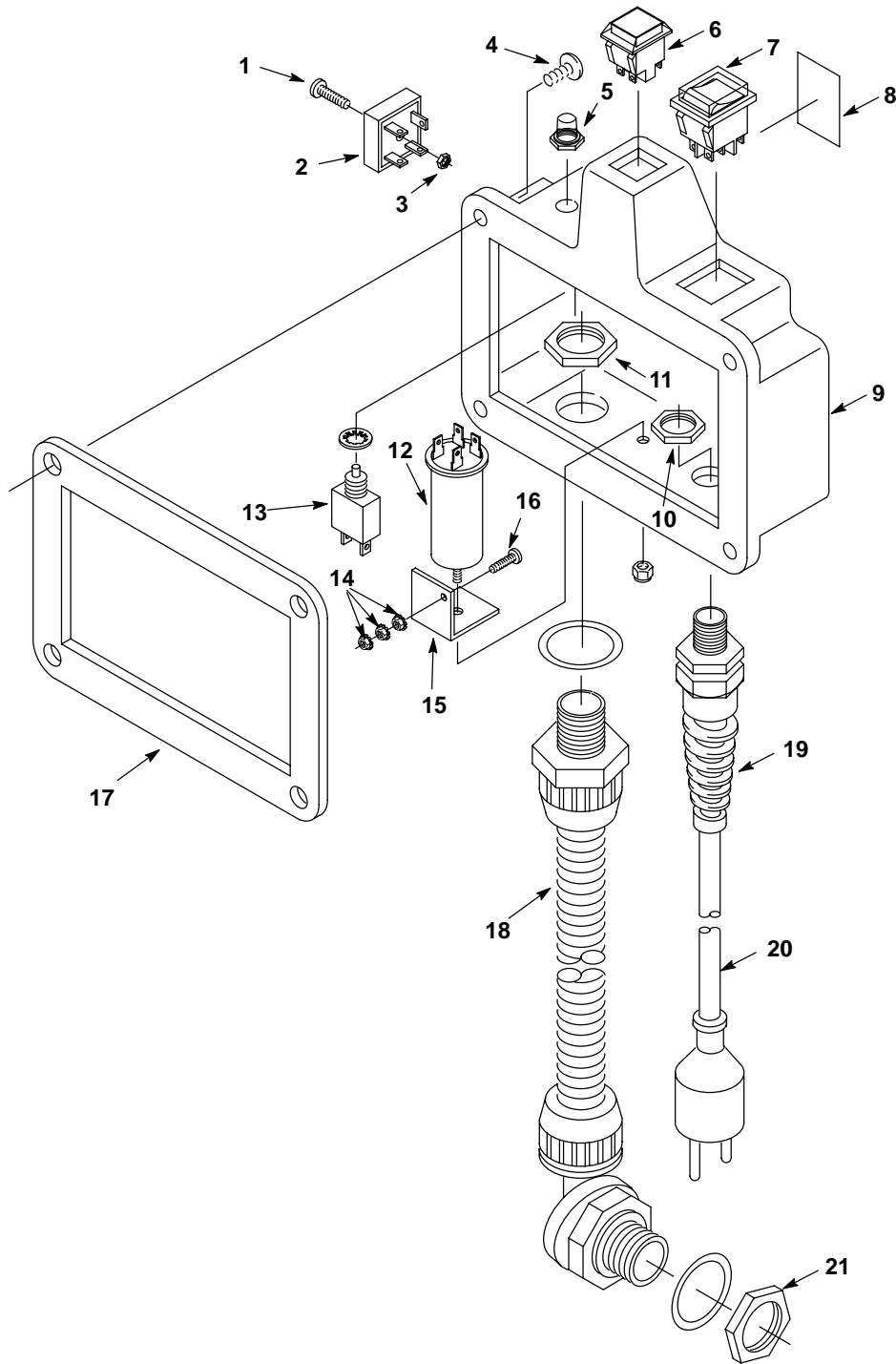
PARTS LIST

CONTROL CONSOLE GROUP

REF	PART #	DESCRIPTION	QTY.
1	140879	SCREW, 6-32X3/4	1
2	130304	RECTIFIER, BRIDGE 600V	1
3	140534	NUT, 6-32	1
4	140885	SCREW, 1/4-20X1/2	4
5	130441	SWITCH, BRUSH/SPRAY, 120V	1
	130716	SWITCH, BRUSH/SPRAY, 230V/240V	1
	130765	BOOT, SWITCH	1
6	130717	SWITCH, ROCKER, 120V	1
	130764	SWITCH, ROCKER, 230V/240V	1
7	603829	DECAL, ON/OFF	1
8	608537	ASM, SWITCHBOX, GREEN 120V	1
	610131	ASM, SWITCHBOX, GREEN 230V	1
9	578337000	BREAKER, CIRCUIT 1.5AMP(120V)	2
	130747	BREAKER, CIRCUIT 1.2AMP (230V/240V)	1

REF	PART #	DESCRIPTION	QTY.
10	130670	BREAKER, CIRCUIT 12AMP(120V)	1
11	140549	NUT, 3/8 CONDUIT	1
12	140504	NUT, CONDUIT LOCK 1/2"	1
13	603041	GASKET, SWITCH BOX	1
14	130977	HARNESS, WIRING	1
15	130166	GRIP, CORD, 120V	1
	130137	GRIP, CORD, 230V/240V	1
16	130237	CORD, POWER 120V, 16/3 18 INCH	1
	600398	CORD, POWER 230V/240V 12 M	1
17	140638	NUT, CONDUIT 1/2 NPT	1
18	130005	TERMINAL STRIP 230V/240V	1

CONTROL CONSOLE GROUP (240V EMC MODEL)



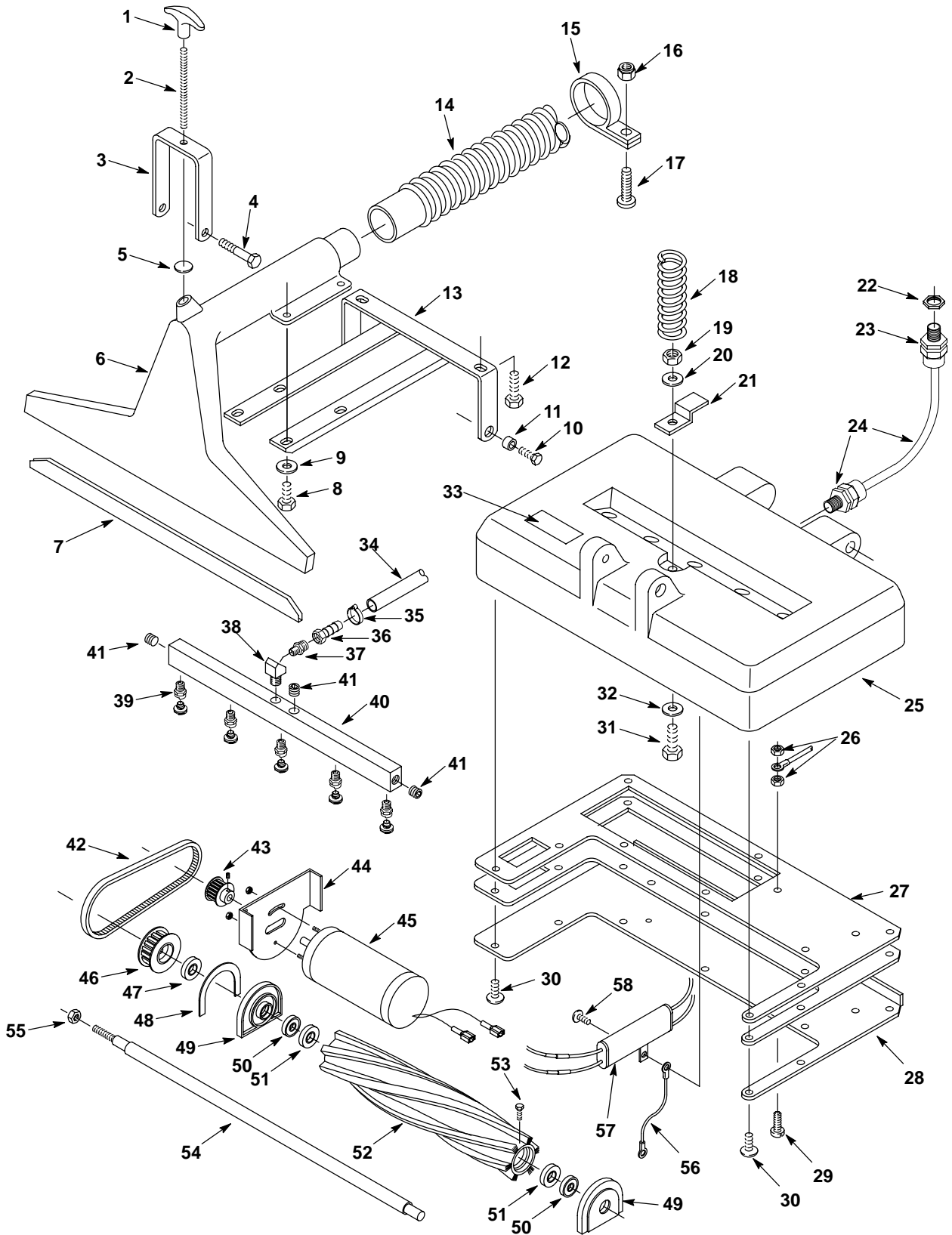
PARTS LIST

CONTROL CONSOLE GROUP (240V EMC MODEL)

REF	PART #	DESCRIPTION	QTY.
1	140879	SCREW, 6-32X3/4	1
2	130304	RECTIFIER, BRIDGE 600V	1
3	140534	NUT, 6-32	1
4	140885	SCREW, 1/4-20X1/2	4
5	130761	BOOT, CIRCUIT BREAKER	1
6	603410	SWITCH, BRUSH/SPRAY, 240V	1
	130765	BOOT, SWITCH	1
7	130764	SWITCH, VAC/PUMP	1
8	603829	DECAL, ON/OFF	1
9	608537	ASM, SWITCHBOX, GREEN 120V	1
10	140549	NUT, 3/8 CONDUIT	1

REF	PART #	DESCRIPTION	QTY.
11	140504	NUT, CONDUIT LOCK 1/2"	1
12	600383	FILTER, RFI	1
13	130747	BREAKER, CIRCUIT 1.2AMP	1
14	140519	NUT, KEP	3
15	603957	BRACKET, RFI FILTER	1
16	140823	SCREW	1
17	603041	GASKET, SWITCH BOX	1
18	130977	HARNESS, WIRING	1
19	130137	GRIP, CORD, 230V	1
20	600398	CORD, POWER 230V, 12M	1
21	140638	NUT, CONDUIT 1/2 NPT	1

BRUSH GROUP



PARTS LIST

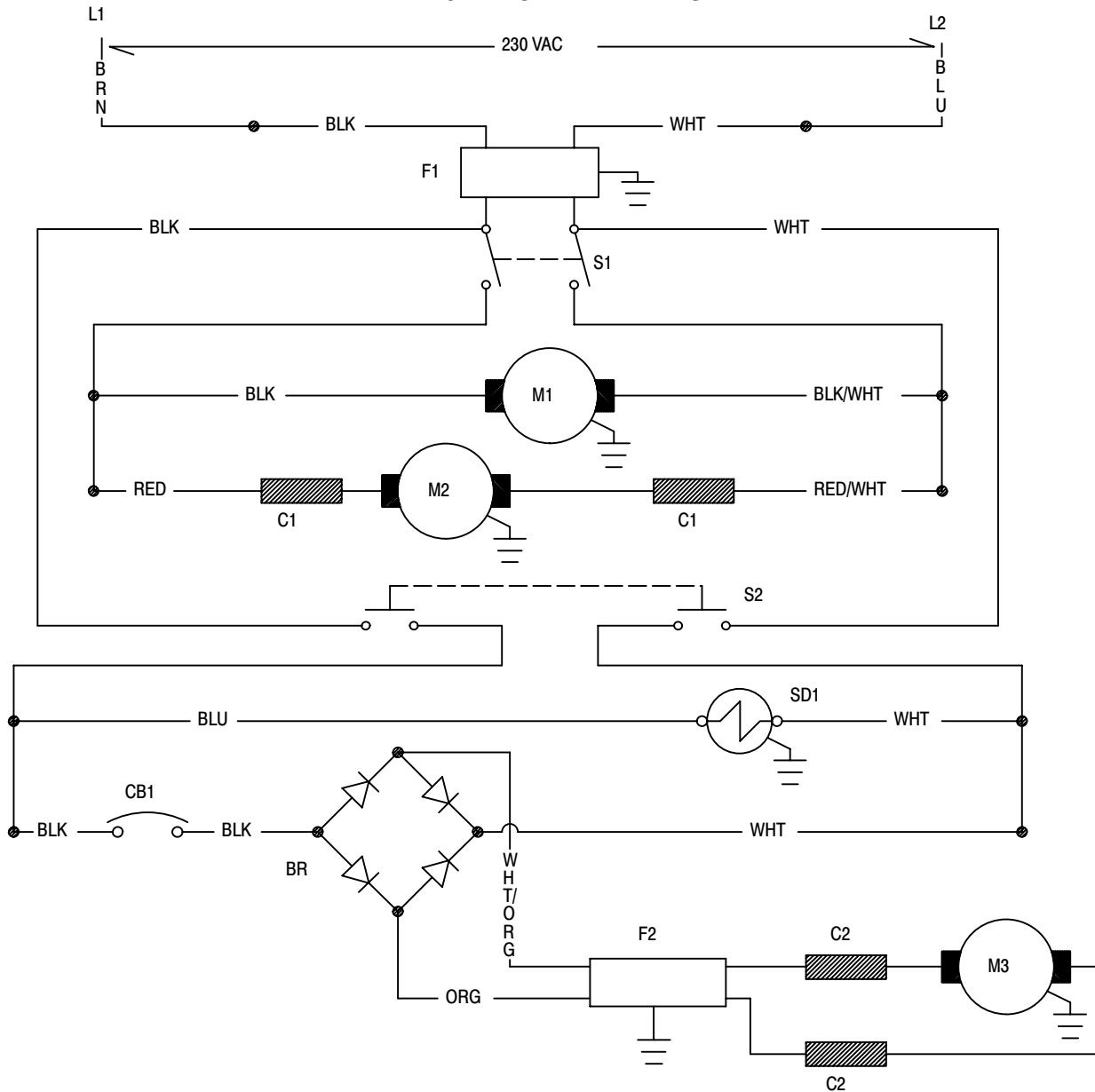
BRUSH GROUP

REF	PART #	DESCRIPTION	QTY.
1	240194	KNOB, HEIGHT ADJ.	1
2	230258	STUD, THREADED	1
3	230461.BK	BRACKET, HEIGHT ADJ., BLACK	1
4	140564	SCREW, SHOULDER, 3/8X3/4	2
5	140919	SPACER	1
6	230706.BK	TOOL, PICK UP, BLACK (1016)	1
	230840.BK	TOOL, PICK UP, BLACK (1020)	1
7	200956	SHOE (1016)	2
	200825	SHOE (1020)	2
8	140219	SCREW, 5/16-18X1	4
9	140015	WASHER, 5/16 SPLTLCK	6
10	140898	SCREW, 3/8-16X3/4	2
11	140914	SPACER	2
12	140226	SCREW, 5/16-18X5/8	2
13	230459.BK	BRACKET, BRUSH MTNG.	1
14	160464	HOSE W/CUFFS	1
15	140327	CLAMP, 1-1/2" DIA. NYLON	1
16	140552	NUT, 10-24 NYLOCK	1
17	140804	SCREW, 10-24X1	1
18	140441	SPRING	1
19	140515	NUT, 3/8-16 NYLOCK	1
20	140036	WASHER, FLAT 3/8	2
21	230264.BK	CLAMP, SPRAY BAR	1
22	140504	NUT, CONDUIT LOCK 1/2"	1
23	130181	GRIP, CORD	1
24	130662	CORD, 24"	1
25	100818	HOUSING, BRUSH, BLACK (1016)	1
	604494	HOUSING, BRUSH, BLACK (1020)	1
26	140519	NUT, 10-24 KEP	2
27	100006	GASKET, PLATE (1016)	2
	100005	GASKET, PLATE (1020)	2
28	100734.BK	PLATE, BASE (1016)	1
	230367.BK	PLATE, BASE (1020)	1
29	140890	SCREW, 10-24X1/2	1
30	140887	SCREW, 10-24X3/8	12
31	140233	SCREW, 3/8-16X1-3/4	1

REF	PART #	DESCRIPTION	QTY.
32	140036	WASHER, FLAT 3/8	1
33	120617	DECAL, HEIGHT ADJ.	1
34	606244	HOSE, 1/4"X15" LP	1
35	140325	CLAMP, EAR	1
36	150523	FITTING, BARB 1/8FX1/4H	1
37	150616	ADAPTER	1
38	150422	FITTING, 1/8MX1/8F STRT 45	1
39	201011	NOZZLE, BRASS (1016)	4
	201011	NOZZLE, BRASS (1020)	5
40	230267	SPRAY BAR (1016)	1
	230379	SPRAY BAR (1020)	1
41	150208	PLUG, SOCKET BRASS	3
42	230507	BELT, BRUSH DRIVE	1
43	230506	PULLEY, MOTOR	1
44	230366	BRACKET, MOTOR	1
45	130471	MOTOR, BRUSH 120V	1
	130472	MOTOR, BRUSH 230V/240V	1
	575729	MOTOR, BRUSH 230V (EMC MODEL)	1
46	230505	PULLEY, BRUSH	1
47	230363	SPACER	1
48	100005	GASKET, BEARING BLOCK	1
230261 49	230304	BLOCK, BEARING	2
50	140125	BEARING, BRUSH	2
51	100049	SEAL, BRUSH	2
52	240004	BRUSH (1016)	1
	240050	BRUSH (1020)	1
53	140554	SCREW, 1/4-20X3/4	4
54	230257	SHAFT, BRUSH (1016)	1
	230362	SHAFT, BRUSH (1020)	1
55	140548	NUT, 5/16 FINJAM	1
56	600692	STRAIN RELIEF (EMC MODEL)	1
57	604628	ASM., RFI FILTER (EMC MODEL)	1
58	140340	SCREW (EMC MODEL)	1

ELECTRICAL DIAGRAMS

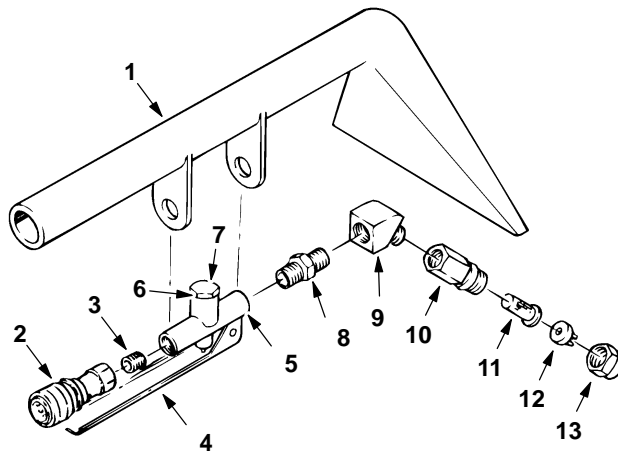
240V EMC LADDER DIAGRAM



REF LEGEND

- RED= Red
- BLK= Black
- WHT= White
- ORG= Orange
- BLU= Blue
- BRN= Brown
- S1= Switch, Vac
- S2= Switch, Brush
- M1= Motor, Vacuum
- M2= Pump
- M3= Motor, Brush
- SD1= Valve, Solenoid
- CB1 = Circuit Breaker
- F 1= Filter, RFI
- F 2= Brush Filter, RFI
- BR= Bridge Rectifier
- C1= Choke, RFI
- C2= Choke, RFI

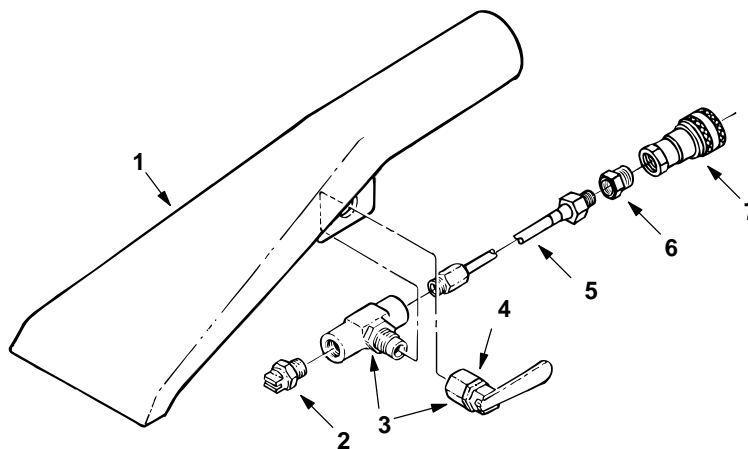
127mm (5 in) HAND TOOL



REF	PART #	DESCRIPTION	QTY.
	200505	TOOL, HAND (COMPLETE)	1
1	200431.BK	TOOL, HAND	1
2	150913	COUPLER, QUICK	1
3	150615	NIPPLE, CLOSE	1
4	200905	TRIGGER, HAND TOOL	1
5	210210	VALVE, FLOW CONTROL	1
6	190600	PIN & SPRING, VALVE	1

REF	PART #	DESCRIPTION	QTY.
7	N/A	CAP, VALVE	1
8	150606	NIPPLE, HEX 1/4	1
9	150403	ELBOW, ST 1/4 45°	1
10	200992	BODY, SPRAY 1/4F	1
11	200996	SCREEN, SPRAY NOZZLE	1
12	200965	TIP, SPRAY #8002	1
13	200994	CAP, SPRAY BODY	1

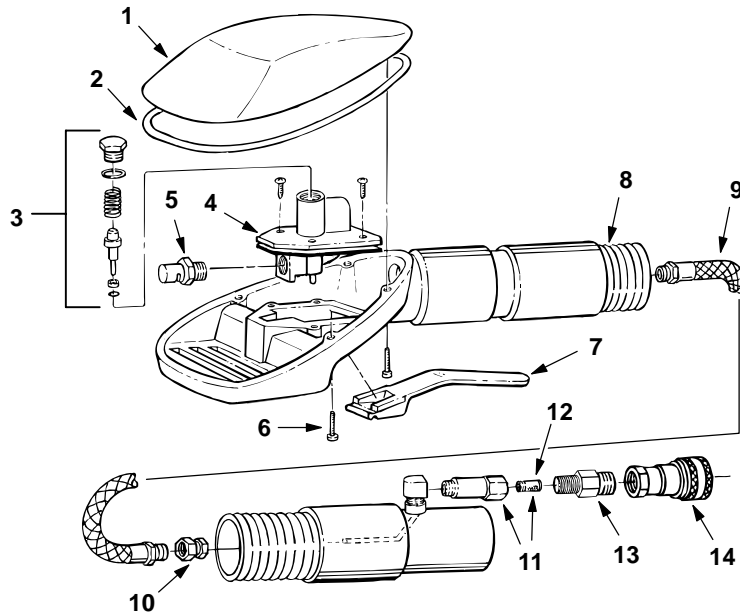
CREVICE TOOL



REF	PART #	DESCRIPTION	QTY.
	200517	TOOL, CREVICE (COMPLETE)	1
1	200436.BK	TOOL	1
2	200975	NOZZLE	1
3	210014	VALVE, TOGGLE	1
4	210020	CAP, VALVE POSITIONER	1

REF	PART #	DESCRIPTION	QTY.
5	160106	HOSE, ASM.	1
6	150100	FITTING, 1/4MX1/8F	1
7	150913	COUPLER	1

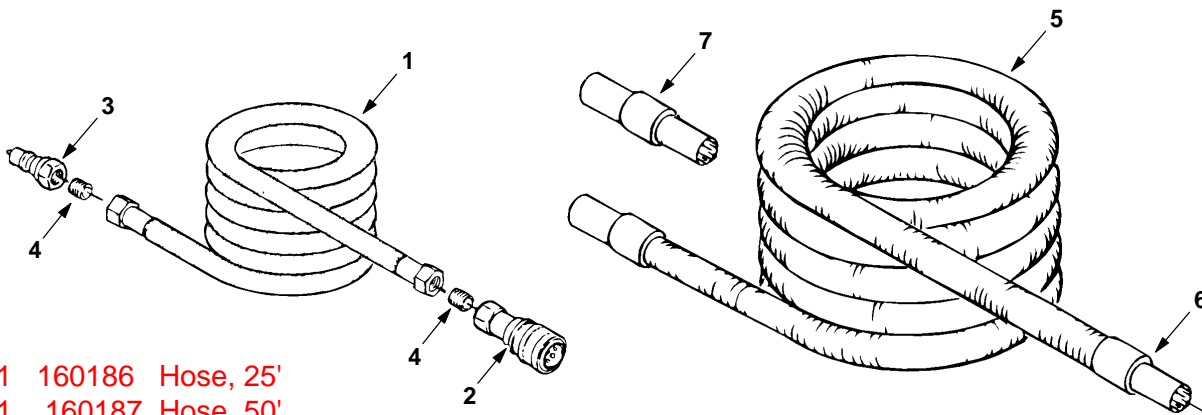
UPHOLSTERY TOOL



REF	PART #	DESCRIPTION	QTY.
	200540	TOOL, UPHOL. (COMPLETE)	1
1	200845	COVER	1
2	200843	GASKET	1
3	190631	KIT, VALVE ASM.	1
4	210226	VALVE, LP	1
5	200991	NOZZLE	1
6	200838	SCREW	4
7	200840	TRIGGER	1

REF	PART #	DESCRIPTION	QTY.
8	200844	HOSE, VACUUM	1
9	200837	HOSE, SOLUTION	1
10	200848	FITTING	1
11	200842	FILTER	1
12	200841	SCREEN, FILTER	1
13	150606	FITTING, 1/4MX1/4M	1
14	150913	COUPLER	1

SOLUTION AND VACUUM HOSES



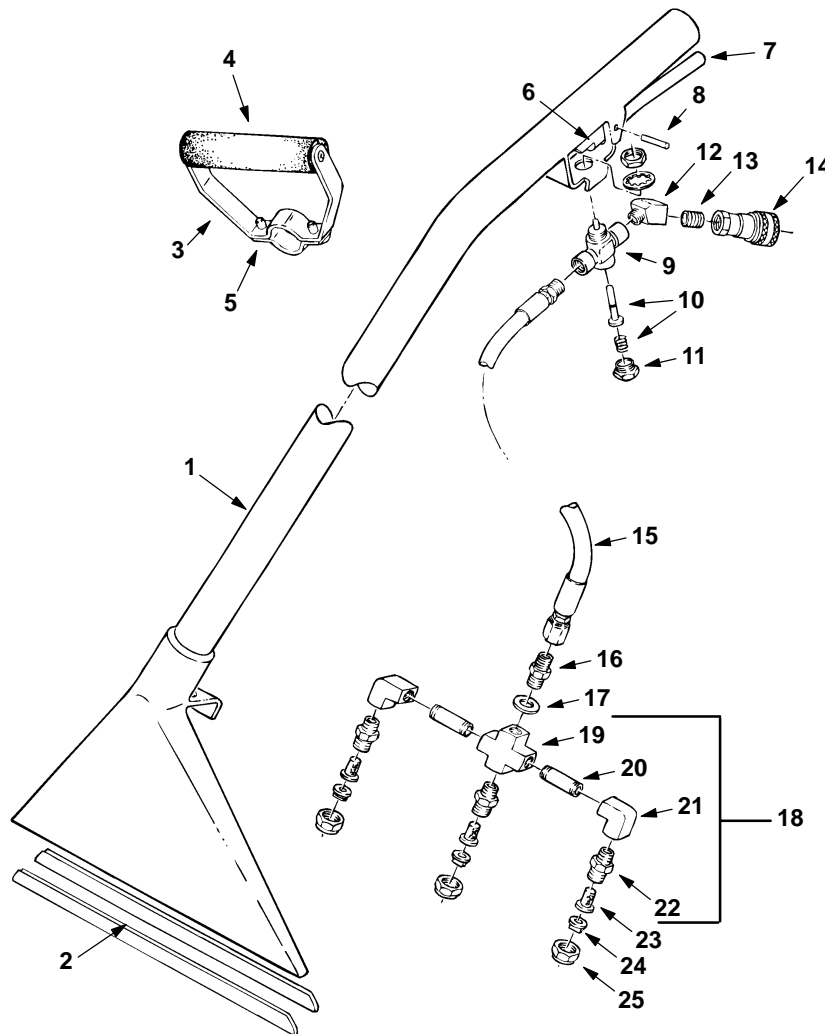
1 160186 Hose, 25'
 1 160187 Hose, 50'

REF	PART #	DESCRIPTION	QTY.
▽1	160185	HOSE, SOLUTION 15'	1
▲2	150913	COUPLER, QUICK	1
▲3	150933	PLUG, QUICK COUPLER	1
▲4	150615	NIPPLE	2

REF	PART #	DESCRIPTION	QTY.
▽5	160400	HOSE, VACUUM 15'	1
▲6	160430	CUFF, HOSE 1-1/2"	2
7	160451	CONNECTOR, VAC HOSE	1

▽ ASSEMBLY
 ▲ INCLUDED IN ASSEMBLY

330mm (13 in) FLOOR TOOL



REF	PART #	DESCRIPTION	QTY.
1	600048	FLOOR TOOL (COMPLETE)	1
1	200403.BK	TOOL, FLOOR	1
2	200939	SHOES, S/S	2
∇3	200927	ASM., GRIP, ADJ.	1
▲4	200912	FOAM, GRIP	1
▲5	140259	SCREW, 1/4X3/4	2
6	200902	TRIGGER	1
7	200809	SLEEVE, TRIGGER	1
8	140605	PIN	1
8	140520	NUT, PUSH (NOT SHOWN)	2
9	210150	VALVE, FLOW CONTROL	1
10	190603	KIT, VALVE PIN & SPRING	1
11	N/A	CAP, HEX, VALVE	1
12	150403	ELBOW, 1/4-45°	1
13	150615	NIPPLE, CLOSE 1/4	1

REF	PART #	DESCRIPTION	QTY.
14	150913	COUPLER, QUICK	1
15	160170	HOSE, SOLUTION, LP	1
16	150606	NIPPLE, HEX 1/4"	1
17	140058	WASHER	1
∇18	700062	ASM., SPRAY BAR	1
▲19	150700	CROSS, FITTING	1
▲20	150600	NIPPLE	2
▲21	150401	ELBOW, 90° 1/4FX1/4F	2
▲22	200993	SPRAY BODY	3
23	200996	SCREEN, SPRAY BODY	3
24	200964	TIP	3
25	200994	CAP, SPRAY BODY	3

∇ ASSEMBLY

▲ INCLUDED IN ASSEMBLY