



Electronic Service Manuals

This electronic document is provided as a service to our customers. We do not create the contents of the information contained in this document. Should you have detailed questions pertaining to the information contained in this document, you may contact Michco, or the manufacturer which provided the original information in this electronic deliverable. Michco's only part in this electronic deliverable was the electronic assembly process. By providing this manual on line we are not guaranteeing parts availability.

You may contact Michco through the following methods:

Phone (517) 484-9312 or (800) 331-3339

2011 N. High St. -- Lansing, Michigan -- 48906

Fax: (517) 484-9836

Email: CustServe@Michco.com

Web site: www.Michco.Com

Parts Web site: www.FloorMachineParts.Com

Order Parts on Line at:

www.FloorMachineParts.Com

Directly to Parts & Service:

By Email: **Shop@Michco.com**

By Fax: (517) 702-2041

By Voice: Use numbers above.

Serving the Cleaning Industry Since 1922

Notice: All copyrighted material remains property of original owners, all trademarks are property of respective owners. Manuals are subject to Manufacturer's reproduction limitations. Originals or reproductions were provided by manufacturers through a request. We make no warranty as to the correctness of information provided in this document and you assume all risk. By placing these manuals on line we are not declaring our corporation to be an manufacturer authorized dealer or provider, please check our web site for authorized manufacturers we represent.

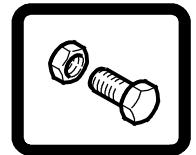


FaST
Foam Scrubbing Technology
The Safe Scrubbing Alternative®

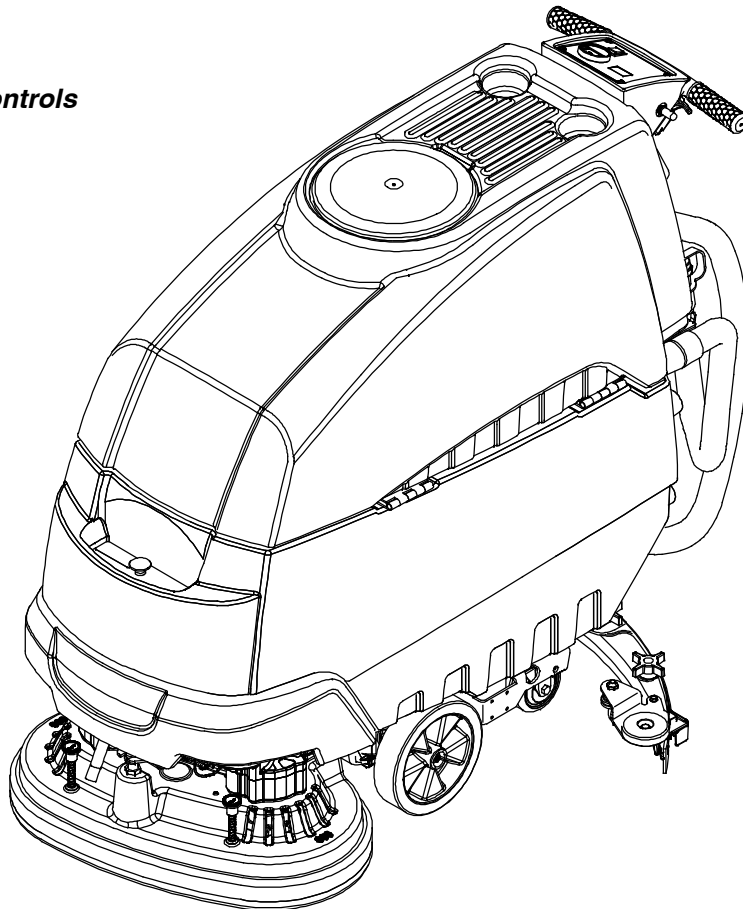
SPEED SCRUB®

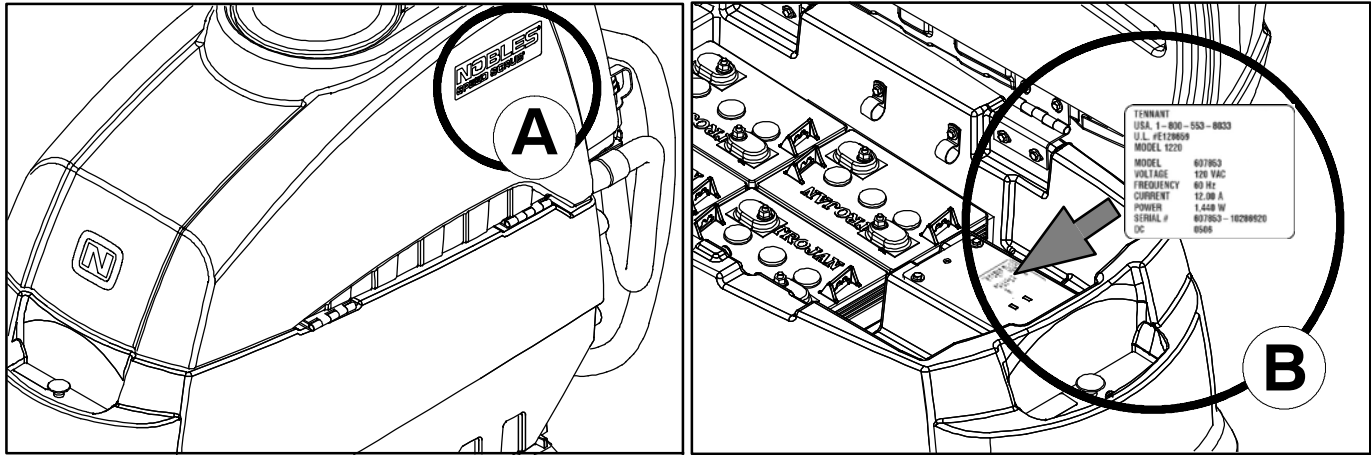
AUTOMATIC SCRUBBER

PARTS MANUAL



Quick-Train™ Controls





| Ref | Part No. | Serial Number | Description | Qty. |
|-----------|----------|-----------------|---------------------------------|------|
| 1 | 82681 | (000000-) | Bracket Wldt, Lpg Mount | 1 |
| ∇ 2 | 63810 | (000000-) | Latch Assy, Lpg Tank Mtg, W/Nut | 4 |
| ▲ 3 | 51839 | (000000-) | Nut Adjustable, Lpg Tank Mtg | 2 |
| 4 | 49263 | (000000-) | Tie, Cable | 3 |
| (D) 82556 | 82556 | (000000-001039) | Bracket, Vaporizer | 1 |
| (C) 54930 | 54930 | (000000-) | Vaporizer, LPG | 1 |

HOW TO ORDER PARTS - See diagram above

Only use TENNANT Company supplied or equivalent parts. Parts and supplies may be ordered online, by phone, by fax or by mail.

Follow the steps below to ensure prompt delivery.

1. **(A)** Identify the machine model.
2. **(B)** Identify the machine serial number from the data label.
3. **(C)** Ensure the proper serial number is used from the parts list.
4. Identify the part number and quantity. Do not order by page or reference numbers.
5. Provide your name, company name, customer ID number, billing and shipping address, phone number and purchase order number.
6. Provide detail shipping instructions.

- (D)** ∇ - identifies an assembly
 ▲ - identifies parts included in assembly

Please fill out at time of installation for future reference.

Model No. - _____
 Serial No. - _____
 Machine Options - _____
 Sales Rep. - _____
 Sales Rep. phone no. - _____
 Customer ID Number - _____
 Installation Date - _____

Tennant Company
 PO Box 1452
 Minneapolis, MN 55440
 Phone: (800) 553-8033 or (763) 513-2850
 www.nobles.com

FaST-PAK is a US registered and unregistered trademark of Tennant Company.
 Specifications and parts are subject to change without notice.
 Copyright © 2006-2011 TENNANT Company, Printed in U.S.A.

| | |
|---|--|
| <p>GENERAL RECOMMENDED MAINTENANCE ITEMS 4</p> <p>STANDARD PARTS</p> <p>REPLACEMENT BRUSHES 10</p> <p>PAD DRIVER GROUP 12</p> <p>RECOVERY TANK GROUP 14</p> <p>VACUUM MOTOR GROUP 16</p> <p>SOLUTION TANK GROUP 18</p> <p>CONTROL CONSOLE GROUP 20</p> <p>COMPONENT PANEL GROUP 22</p> <p>FRAME GROUP 24</p> <p>SCRUB HEAD GROUP, DISK 24 in / 600 mm ... 26</p> <p>SCRUB HEAD GROUP, DISK 28 in / 700 mm ... 30</p> <p>SCRUB HEAD GROUP, DISK 32 in / 800 mm ... 34</p> <p>SCRUB HEAD GROUP, CYLINDRICAL 26 in / 650 mm 38</p> <p>SCRUB HEAD GROUP, CYLINDRICAL 32 in / 800 mm 42</p> <p>SCRUBHEAD LIFT GROUP 46</p> <p>SOLUTION GROUP, FaST MODEL 48</p> <p>9008847 FAST INJECTOR ASSEMBLY BREAKDOWN (S/N 10538043-), 600 mm DISK & 650 mm CYLINDRICAL MODELS 52</p> <p>9003907 FAST INJECTOR ASSEMBLY BREAKDOWN (S/N 10348538-10538042) 600 mm DISK & 650 mm CYLINDRICAL MODELS 53</p> <p>9003908 FAST INJECTOR ASSEMBLY BREAKDOWN (S/N 10347532-) 700 mm / 800 mm DISK & 800 mm CYLINDRICAL MODELS 54</p> <p>9003812 FAST INJECTOR ASSEMBLY BREAKDOWN (S/N 00000000-10347531) 700 mm / 800 mm DISK & 800 mm CYLINDRICAL MODELS 55</p> <p>9003810 FAST INJECTOR ASSEMBLY BREAKDOWN (S/N 00000000-10348537) 600 mm DISK & 650 mm CYLINDRICAL MODELS 56</p> | <p>SOLUTION GROUP, ec-H2O MODEL 58</p> <p>ec-H2O MODULE ASSEMBLY BREAKDOWN, 9007970 (S/N 10448305-) 62</p> <p>ec-H2O MODULE ASSEMBLY BREAKDOWN, 9006161 (S/N 10378380-10448304) 64</p> <p>SOLUTION GROUP, STANDARD MODEL 66</p> <p>SQUEEGEE LIFT GROUP 68</p> <p>SQUEEGEE GROUP, 20 in / 500 mm 70</p> <p>SQUEEGEE GROUP, 24 in / 600 mm 72</p> <p>SQUEEGEE GROUP, 26 in / 650 mm & 28 in / 700 mm 74</p> <p>SQUEEGEE GROUP, 32 in / 800 mm 76</p> <p>BATTERY GROUP, MAINTENANCE FREE 200 Ah .. 78</p> <p>BATTERY GROUP, LEAD-ACID 235 Ah 79</p> <p>ON-BOARD CHARGER GROUP - 120V (S/N 10409250-) 80</p> <p>ON-BOARD CHARGER GROUP - 120V (S/N 00000000-10409249) 82</p> <p>ELECTRICAL DIAGRAM, STANDARD & FaST MODEL 84</p> <p>ELECTRICAL DIAGRAM, ec-H2O MODEL 86</p> <p>WIRE HARNESS GROUP, ec-H2O OPTION (S/N 10455033-) 88</p> <p>WIRE HARNESS GROUP, ec-H2O OPTION (S/N 00000000-10455032) 90</p> <p>WIRE HARNESS GROUP, FAST OPTION 92</p> <p>WIRE HARNESS GROUP, FRAME 93</p> <p>WIRE HARNESS GROUP, WAND OPTION 94</p> <p>WIRE HARNESS GROUP, MAIN 95</p> <p>OPTIONS</p> <p>WAND PUMP KIT 98</p> <p>DELUXE POWER WAND GROUP 100</p> <p>OFF-BOARD CHARGER GROUP 102</p> <p>BUMPER WHEEL KIT 104</p> <p>POWER WAND HOSE GROUP 106</p> <p>DOCUMENTATION GROUP 107</p> <p>OPTIONAL WHEEL KIT 108</p> |
|---|--|

RECOMMENDED MAINTENANCE ITEMS

GENERAL RECOMMENDED MAINTENANCE ITEMS

| Ref. | Part No. | Serial Number | Description | Qty. |
|------|-----------|--------------------|--|------|
| | 1017959 | (00000000- |) Seal, Bulb, Str, 0.50h .50w 032.0l, Adh | 1 |
| ▽ | 1043538 | (00000000- |) Hose Assy, Drain, 1.50id X 29.5l, Blk | 1 |
| ▲▽ | 1008639 | (00000000- |) Cap, Drain Assy | 1 |
| ▲▲ | 1019563 | (00000000- |) Strap, Cap, Drain | 1 |
| ▲▲ | 1008637 | (00000000- |) Seal, Org, 1.48id 1.76od | 1 |
| | 630255 | (00000000- |) Gasket, Float, Mount | 1 |
| | 630052 | (00000000- |) Float, Shut-Off, (2)Ball, 1.75d | 1 |
| ▽ | 1025106 | (00000000- |) Fan, Vacuum, 5.7d, 3s, 24vdc, Us | 1 |
| ▲ | 190163 | (00000000- |) Brush, Carbon, Motor, Ele [1pick=1pkg] | 1 |
| | 100038 | (00000000- |) Gasket, Vacuum Mtr 5.7 Epdm W/Psa | 1 |
| | 606146 | (00000000- |) Screen, Fltr, Soltn Fill, Nat | 1 |
| | 86379 | (00000000- |) Fuse, 100a 125volt 0.88 X 3.2l | 1 |
| | 1049048 | (00000000- |) Caster, Swivel, 4.0d 1.4w, 4hole [400lb] | 2 |
| | 614166 | (00000000- |) Brush Kit, Carbon [Qty 4] (For Transaxle Motor 1031723) | 1 |
| | 1031775 | (00000000- |) Brush, Brush-Motor, Afmkt (For Disk Scrub Head Motor 1023067) | 1 |
| | 1035888 | (10338658- |) Belt, Drive, 6Grv, 508l X 14w, [6P] | 2 |
| | 377500 | (00000000-10338657 |) Belt,Synchronous, 500l,15mm [05p,Plychn] | 2 |
| | 1022401 | (00000000- |) Gasket, Cover, Belt | 2 |
| | 1049739 | (10419662- |) Brush Kit, Carbon, Motor, Replmt [4pcs] | 2 |
| | 190152 | (00000000-10419661 |) Brush, Carbon [Pk=4] | 2 |
| | 1025272 | (00000000- |) Skirt, Tray, Debris, 65cm | 1 |
| | 1025273 | (00000000- |) Skirt, Tray, Debris, 80cm | 1 |
| | 1017015 | (00000000- |) Detergent, Pkg, 2 Liter, Sgl [365] | 1 |
| | 1017022 | (00000000- |) Detergent, Pkg, 2 Liter, Sgl [665] | 1 |
| ▽ | 1005302 | (00000000- |) Filter, In-Line, Pf06/Pf06, 80 Mesh | 1 |
| ▲ | 1005304 | (00000000- |) Screen, Fltr, 80 Mesh | 1 |
| ▲ | 613992 | (00000000- |) Gasket [Viton, F/1005302] | 1 |
| | 1008675 | (00000000- |) Gasket, Edge, Foam, 24.00l [Fr] | 1 |
| | 1024105 | (00000000- |) Cable, Lift, Sqge | 1 |
| | 578074000 | (00000000- |) Blade, Sqge, 300.8mml, Wand (Optional Power Wand) | 2 |
| ▽ | 9004459 | (00000000- |) Wheel Kit, Bumper, Retrofit [T5] | 1 |
| ▲ | 614317 | (00000000- |) Wheel, 04.0d 1.00w 0.38b, Rbr, Gray | 2 |
| ▲ | 1014918 | (00000000- |) Wheel, 03.0d 0.88w 0.31b, W/ Bshg, Rbr | 2 |
| ▽ | 9004903 | (00000000- |) Wheel Kit, Pneumatic, Ci [T5 T5e Ss5] | 1 |
| ▲ | 1059452 | (00000000- |) Tire Assy, Pneu, Grey, 2.8/2.5-04 2.75bc | 2 |
| ▽ | 9004904 | (00000000- |) Wheel Kit, Foam Filled, Ci [T5 T5e Ss5] | 1 |
| ▲ | 1068472 | (00000000- |) Tire Assy, Foam, Hi-Dns, Grey,2.8/2.5-04 | 2 |

RECOMMENDED MAINTENANCE ITEMS

CYLINDRICAL 26 in / 650 mm MODEL RECOMMENDED MAINTENANCE ITEMS

| Ref. | Part No. | Serial Number | Description | Qty. |
|------|----------|---------------|---|------|
| | 399251 | (00000000- |) Brush, Scb, Cyl, 26l, 18 Sr, Nyl (Soft Nylon) | 2 |
| | 399252 | (00000000- |) Brush, Scb, Cyl, 26.0l, Poly (Medium Polypropylene) | 2 |
| | 399253 | (00000000- |) Brush, Scb, Cyl, 26.0l, Hd Poly (Stiff Polypropylene) | 2 |
| | 399254 | (00000000- |) Brush, Scb, Cyl, 26.0l, Abr (Abrasive) | 2 |
| | 1060864 | (00000000- |) Brush, Scb, Cyl, 26l, 18sr, Abr, Spl (Abrasive - Light Duty) | 2 |

CYLINDRICAL 32 in / 800 mm MODEL RECOMMENDED MAINTENANCE ITEMS

| Ref. | Part No. | Serial Number | Description | Qty. |
|------|----------|---------------|--|------|
| | 222308 | (00000000- |) Brush, Scb, Cyl, 32l, 18 Sr, Nyl, Spl (Soft Nylon) | 2 |
| | 374042 | (00000000- |) Brush, Scb, Cyl, 32l, 18 Sr, Pyp ,Spl (Medium Polypropylene) | 2 |
| | 222307 | (00000000- |) Brush, Scb, Cyl, 32l, 18 Sr, Pyp Grout, Spl (Stiff Polypropylene) | 2 |
| | 222309 | (00000000- |) Brush, Scb, Cyl, 32l, 18 Sr, Abr, Spl (Abrasive) | 2 |

DISK 24 in / 600 mm MODEL RECOMMENDED MAINTENANCE ITEMS

| Ref. | Part No. | Serial Number | Description | Qty. |
|------|----------|---------------|---|------|
| | 1025094 | (00000000- |) Brush Assy, Disk, Scb, 11.90d, Nyl (Soft Nylon) | 2 |
| | 1025095 | (00000000- |) Brush Assy, Disk, Scb, 11.90d, Pyp (Medium Polypropylene) | 2 |
| | 1025096 | (00000000- |) Brush Assy, Disk, Scb, 11.9d, Sab (Abrasive) | 2 |
| | 21852 | (00000000- |) Bracket, Retainer, Spring | 2 |
| | 21853 | (00000000- |) Spring, Wir, 0.16d, Brush Retaining (12" Brush Assy) | 1 |
| | 370095 | (00000000- |) Device, Centering, Clip-On, Teal, Gf Pp | 1 |
| | 385940 | (00000000- |) Pad, Polish, 12.0d, White [1pad=1pc] (Polishing) | 2 |
| | 385941 | (00000000- |) Pad, Buff, 12.0d, Red [1pad=1pc] (Light Scrubbing & Buffing) | 2 |
| | 385942 | (00000000- |) Pad, Scb, 12.0d, Blu [1pick = 1 Pad] (Blue) (Medium Scrubbing) | 2 |
| | 385943 | (00000000- |) Pad, Stripping, 12.0d, Brown [1pad=1pc] (Deep Scrubbing & Stripping) | 2 |
| | 1051020 | (00000000- |) Pad, Surf Prep, 12.0d [Mar, 1pick=1pad] (Maroon) (Surface Preparation) | 2 |

RECOMMENDED MAINTENANCE ITEMS

DISK 28 in / 700 mm MODEL RECOMMENDED MAINTENANCE ITEMS

| Ref. | Part No. | Serial Number | Description | Qty. |
|---------|----------|---------------|---|------|
| 399246 | | (00000000- |) Brush, Disk, Scr, 13.90d, Assy, Nyl (Soft Nylon) | 2 |
| 399247 | | (00000000- |) Brush, Disk, Scr, 13.90d, Assy, Pyp (Medium Polypropylene) | 2 |
| 399245 | | (00000000- |) Brush, Disk, Scr, 13.90d, Assy, Sab (Abrasive) | 2 |
| 21852 | | (00000000- |) Bracket, Retainer, Spring | 2 |
| 1028905 | | (00000000- |) Spring, Wir, 0.16d, Brush Retaining, (14" & 16" Brush Assy) | 1 |
| 370095 | | (00000000- |) Device, Centering, Clip-On, Teal, Gf Pp | 1 |
| 222324 | | (00000000- |) Pad, Polish, 14.0d, White [1pad=1pc] (Polishing) | 2 |
| 222325 | | (00000000- |) Pad, Buff, 14.0d, Red (Light Scrubbing & Buffing) | 2 |
| 222326 | | (00000000- |) Pad, Scb, 14.0d, Blu [1pad=1pc] (Blue) (Medium Scrubbing) | 2 |
| 222327 | | (00000000- |) Pad, Stripping, 14.0d, Brown [1pad=1pc] (Deep Scrubbing & Stripping) | 2 |
| 1051026 | | (00000000- |) Pad, Surf Prep, 14.0d [Mar, 1pick=1pad] (Maroon) (Surface Preparation) | 2 |

DISK 32 in / 800 mm MODEL RECOMMENDED MAINTENANCE ITEMS

| Ref. | Part No. | Serial Number | Description | Qty. |
|---------|----------|---------------|---|------|
| 399243 | | (00000000- |) Brush, Disk, Scr, 15.9d, Assy, Nyl (Soft Nylon) | 2 |
| 399244 | | (00000000- |) Brush, Disk, Scr, 15.9d, Assy, Pyp (Medium Polypropylene) | 2 |
| 399242 | | (00000000- |) Brush, Disk, Scr, 15.9d, Assy, Sab (Abrasive) | 2 |
| 21852 | | (00000000- |) Bracket, Retainer, Spring | 2 |
| 1028905 | | (00000000- |) Spring, Wir, 0.16d, Brush Retaining, (14" & 16" Brush Assy) | 1 |
| 370095 | | (00000000- |) Device, Centering, Clip-On, Teal, Gf Pp | 1 |
| 63248-4 | | (00000000- |) Pad, Polish, 16.0d, White [1pad=1pc] (Polishing) | 2 |
| 63248-3 | | (00000000- |) Pad, Buff, 16.0d, Red (Light Scrubbing & Buffing) | 2 |
| 63248-2 | | (00000000- |) Pad, Scb, 16.0d, Blu [1pad=1pc] (Blue) (Medium Scrubbing) | 2 |
| 63248-1 | | (00000000- |) Pad, Stripping, 16.0d, Brown [1pad=1pc] (Deep Scrubbing & Stripping) | 2 |
| 1051027 | | (00000000- |) Pad, Surf Prep, 16.0d [Mar, 1pick=1pad] (Maroon) (Surface Preparation) | 2 |

RECOMMENDED MAINTENANCE ITEMS

SQUEEGEE GROUP, 20 in / 500 mm, RECOMMENDED MAINTENANCE ITEMS

| Ref. | Part No. | Serial Number | Description | Qty. |
|------|----------|---------------|---|------|
| ▽ | 9001178 | (00000000- |) Squeegee Assy Kit, 500mm, Ci | 1 |
| ▲ | 1010560 | (00000000- |) Wheel, Bmpr, 80d X 25w, Non-Marking | 2 |
| ▲ | 1006343 | (00000000- |) Caster, Swivel, 50mmd, M10 X 30 Stem, PI | 2 |
| ▲ | 1010558 | (00000000- |) Knob, Star, 2.00d 4ear 0.7l M8x1.25 Thru | 4 |
| ▲ | 1011232 | (00000000- |) Blade, Sqge, Front, 500mml (Linatex Red Standard) | 1 |
| | 1014091 | (00000000- |) Blade, Sqge, Front, 500mm, Gum (Gum Rubber Tan Optional) | 1 |
| | 1014092 | (00000000- |) Blade, Sqge, Front, 500mml, Oil-Rstn (Polyurethane Natural Optional) | 1 |
| ▲ | 1011456 | (00000000- |) Blade, Sqge, Rear, 500mm Linatex (Linatex Red Standard) | 1 |
| | 1014093 | (00000000- |) Blade, Sqge, Rear, 500mm Gum (Gum Rubber Tan Optional) | 1 |
| | 1014094 | (00000000- |) Blade, Sqge, Rear, 500mm Oil-Rstn (Polyurethane Natural Optional) | 1 |
| ▲ | 1013933 | (00000000- |) Strap Assy, Sqge, 500mm | 1 |
| | 1014026 | (00000000- |) Hose, Vacuum, 1.5d X 57l, 2-Short Cuffs | 1 |

SQUEEGEE GROUP, 24 in / 600 mm, RECOMMENDED MAINTENANCE ITEMS

| Ref. | Part No. | Serial Number | Description | Qty. |
|------|----------|---------------|--|------|
| ▽ | 9002679 | (00000000- |) Kit, Squeegee, 600mm Ci | 1 |
| ▲ | 1010560 | (00000000- |) Wheel, Bmpr, 80d X 25w, Non-Marking | 2 |
| ▲ | 1006343 | (00000000- |) Caster, Swivel, 50mm D, M10 X 30 Stem, Zn | 2 |
| ▲ | 1015911 | (00000000- |) Knob, Star, 2.75d 4ear 1.1l M8x1.25 Thru | 4 |
| ▲ | 1021804 | (00000000- |) Blade, Sqge, Front, 88cml [Lnx, 60cm] (Linatex Red Standard) | 1 |
| | 1025333 | (00000000- |) Blade, Sqge, Front, 88cml, Gum [60cm] (Gum Rubber Tan Optional) | 1 |
| | 1025334 | (00000000- |) Blade, Sqge, Front, 88cml, Ure [60cm] (Polyurethane Natural Optional) | 1 |
| ▲ | 630477 | (00000000- |) Wheel, Pyu, 2.0d 0.38w, Gray | 1 |
| ▲ | 1021333 | (00000000- |) Blade, Sqge, Rear, 88cm, Linatex [60cm] (Linatex Red Standard) | 1 |
| | 1025335 | (00000000- |) Blade, Sqge, Rear, 88cml, Gum [60cm] (Gum Rubber Tan Optional) | 1 |
| | 1025336 | (00000000- |) Blade, Sqge, Rear, 88cm, Ure [60cm] (Polyurethane Natural Optional) | 1 |
| | 1014026 | (00000000- |) Hose, Vacuum, 1.5d X 57l, 2-Short Cuffs | 1 |

RECOMMENDED MAINTENANCE ITEMS

SQUEEGEE GROUP, 26 in / 650 mm & 28 in / 700 mm RECOMMENDED MAINTENANCE ITEMS

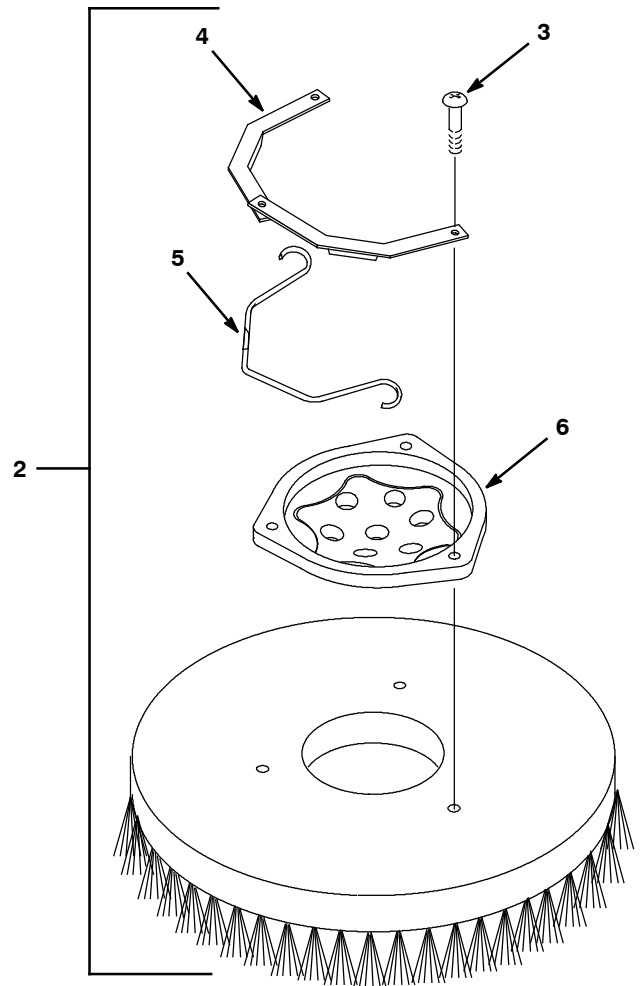
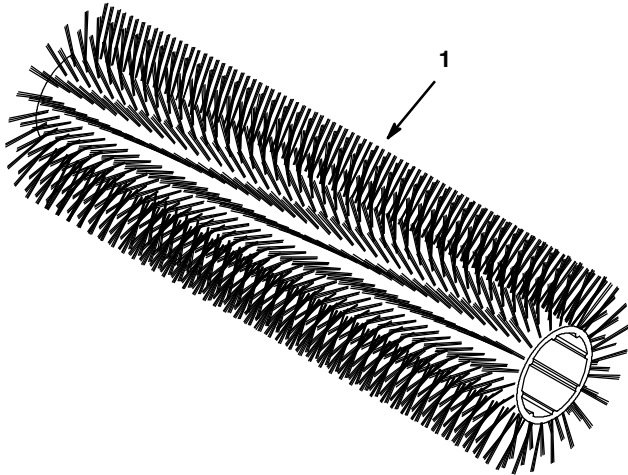
| Ref. | Part No. | Serial Number | Description | Qty. |
|------|----------|---------------|--|------|
| ▽ | 9002680 | (00000000- |) Kit, Squeegee, 700mm Ci | 1 |
| ▲ | 1010560 | (00000000- |) Wheel, Bmpr, 80d X 25w, Non-Marking | 2 |
| ▲ | 1006343 | (00000000- |) Caster, Swivel, 50mm D, M10 X 30 Stem,Zn | 2 |
| ▲ | 1015911 | (00000000- |) Knob, Star, 2.75d 4ear 1.1l M8x1.25 Thru | 4 |
| ▲ | 1023327 | (00000000- |) Blade, Sqge, Front, 98cml [Lnx, 70cm] (Linatex Red Standard) | 1 |
| | 1025337 | (00000000- |) Blade, Sqge, Front, 98cml, Gum [70cm] (Gum Rubber Tan Optional) | 1 |
| | 1025339 | (00000000- |) Blade, Sqge, Front, 98cml, Ure [70cm] (Polyurethane Natural Optional) | 1 |
| ▲ | 630477 | (00000000- |) Wheel, Pyu, 2.0d 0.38w, Gray | 1 |
| ▲ | 1023329 | (00000000- |) Blade, Sqge, Rear, 98cm,Linatex[70cm] (Linatex Red Standard) | 1 |
| | 1025340 | (00000000- |) Blade, Sqge, Rear, 98cml, Gum [70cm] (Gum Rubber Tan Optional) | 1 |
| | 1025341 | (00000000- |) Blade, Sqge, Rear, 98cm, Ure [70cm] (Polyurethane Natural Optional) | 1 |
| | 1014026 | (00000000- |) Hose, Vacuum, 1.5d X 57l, 2-Short Cuffs | 1 |

SQUEEGEE GROUP, 32 in / 800 mm, RECOMMENDED MAINTENANCE ITEMS

| Ref. | Part No. | Serial Number | Description | Qty. |
|------|----------|---------------|--|------|
| ▽ | 9002681 | (00000000- |) Kit, Squeegee, 800mm Ci | 1 |
| ▲ | 1010560 | (00000000- |) Wheel, Bmpr, 80d X 25w, Non-Marking | 2 |
| ▲ | 1006343 | (00000000- |) Caster, Swivel, 50mm D, M10 X 30 Stem,Zn | 2 |
| ▲ | 1015911 | (00000000- |) Knob, Star, 2.75d 4ear 1.1l M8x1.25 Thru | 4 |
| ▲ | 1023398 | (00000000- |) Blade, Sqge, Front, 105cm [Linx 80cm] (Linatex Red Standard) | 1 |
| | 1025342 | (00000000- |) Blade, Sqge, Front, 105cml, Gum[80cm] (Gum Rubber Tan Optional) | 1 |
| | 1025343 | (00000000- |) Blade, Sqge, Front, 105cm, Ure [80cm] (Polyurethane Natural Optional) | 1 |
| ▲ | 630477 | (00000000- |) Wheel, Pyu, 2.0d 0.38w, Gray | 1 |
| ▲ | 1023399 | (00000000- |) Blade, Sqge, Rear, 105cml[Linx, 80cm] (Linatex Red Standard) | 1 |
| | 1025344 | (00000000- |) Blade, Sqge, Rear, 105cml, Gum [80cm] (Gum Rubber Tan Optional) | 1 |
| | 1025346 | (00000000- |) Blade, Sqge, Rear, 105cml, Ure [80cm] (Polyurethane Natural Optional) | 1 |
| | 1014026 | (00000000- |) Hose, Vacuum, 1.5d X 57l, 2-Short Cuffs | 1 |

RECOMMENDED MAINTENANCE ITEMS

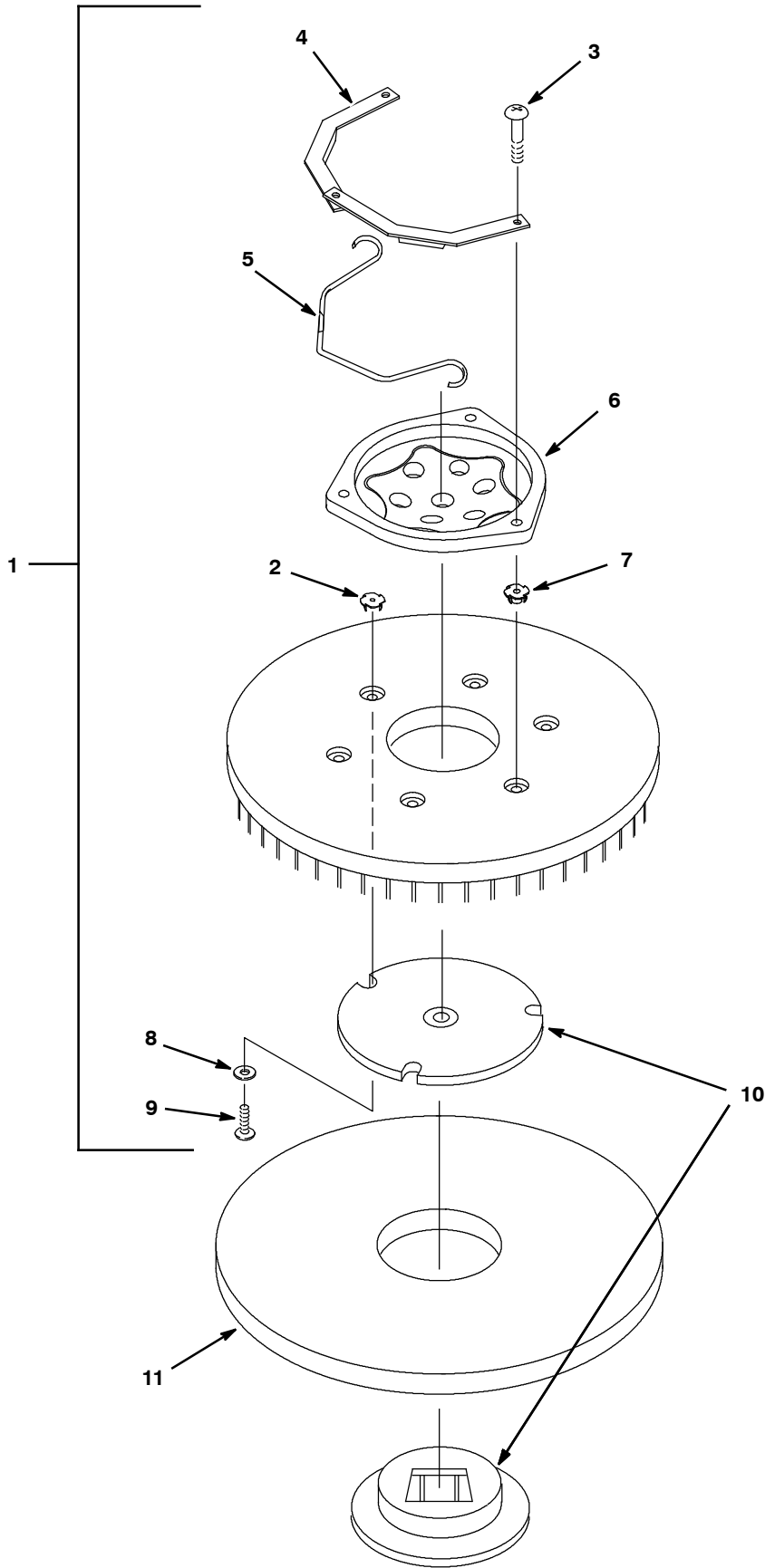
REPLACEMENT BRUSHES



REPLACEMENT BRUSHES

| Ref. | Part No. | Serial Number | Description | Qty. |
|------|----------|---------------|--|------|
| 1 | 399251 | (00000000- |) Brush, Scb, Cyl, 26l, 18 Sr, Nyl (Soft Nylon) | 2 |
| 1 | 399252 | (00000000- |) Brush, Scb, Cyl, 26.0l, Poly (Medium Polypropylene) | 2 |
| 1 | 399253 | (00000000- |) Brush, Scb, Cyl, 26.0l, Hd Poly (Stiff Polypropylene) | 2 |
| 1 | 399254 | (00000000- |) Brush, Scb, Cyl, 26.0l, Abr (Abrasive) | 2 |
| 1 | 1060864 | (00000000- |) Brush, Scb, Cyl, 26l, 18sr, Abr, Spl (Abrasive - Light Duty) | 2 |
| 1 | 222308 | (00000000- |) Brush, Scb, Cyl, 32l, 18 Sr, Nyl, Spl (Soft Nylon) | 2 |
| 1 | 374042 | (00000000- |) Brush, Scb, Cyl, 32l, 18 Sr, Pyp ,Spl (Medium Polypropylene) | 2 |
| 1 | 222307 | (00000000- |) Brush, Scb, Cyl, 32l, 18 Sr, Pyp Grout, Spl (Stiff Polypropylene) | 2 |
| 1 | 222309 | (00000000- |) Brush, Scb, Cyl, 32l, 18 Sr, Abr, Spl (Abrasive) | 2 |
| 2 | 1025094 | (00000000- |) Brush Assy, Disk, Scb, 11.90d, Nyl (Soft Nylon) | 2 |
| 2 | 1025095 | (00000000- |) Brush Assy, Disk, Scb, 11.90d, Pyp (Medium Polypropylene) | 2 |
| 2 | 1025096 | (00000000- |) Brush Assy, Disk, Scb, 11.9d, Sab (Abrasive) | 2 |
| 2 | 399246 | (00000000- |) Brush, Disk, Scr, 13.90d, Assy, Nyl (Soft Nylon) | 2 |
| 2 | 399247 | (00000000- |) Brush, Disk, Scr, 13.90d, Assy, Pyp (Medium Polypropylene) | 2 |
| 2 | 399245 | (00000000- |) Brush, Disk, Scr, 13.90d, Assy, Sab (Abrasive) | 2 |
| 2 | 399243 | (00000000- |) Brush, Disk, Scr, 15.9d, Assy, Nyl (Soft Nylon) | 2 |
| 2 | 399244 | (00000000- |) Brush, Disk, Scr, 15.9d, Assy, Pyp (Medium Polypropylene) | 2 |
| 2 | 399242 | (00000000- |) Brush, Disk, Scr, 15.9d, Assy, Sab (Abrasive) | 2 |
| 3 | 32747 | (00000000- |) Screw, Pan, M6 X 1.0 X 40, Ss | 3 |
| 4 | 21852 | (00000000- |) Bracket, Retainer, Spring | 2 |
| 5 | 21853 | (00000000- |) Spring, Wir, 0.16d, Brush Retaining (12" Brush Assy) | 1 |
| 5 | 1028905 | (00000000- |) Spring, Wir, 0.16d, Brush Retaining, (14" & 16" Brush Assy) | 1 |
| 6 | 1017112 | (00000000- |) Hub, Drive, Brush, Disk, 3hole 5.8bc | 1 |

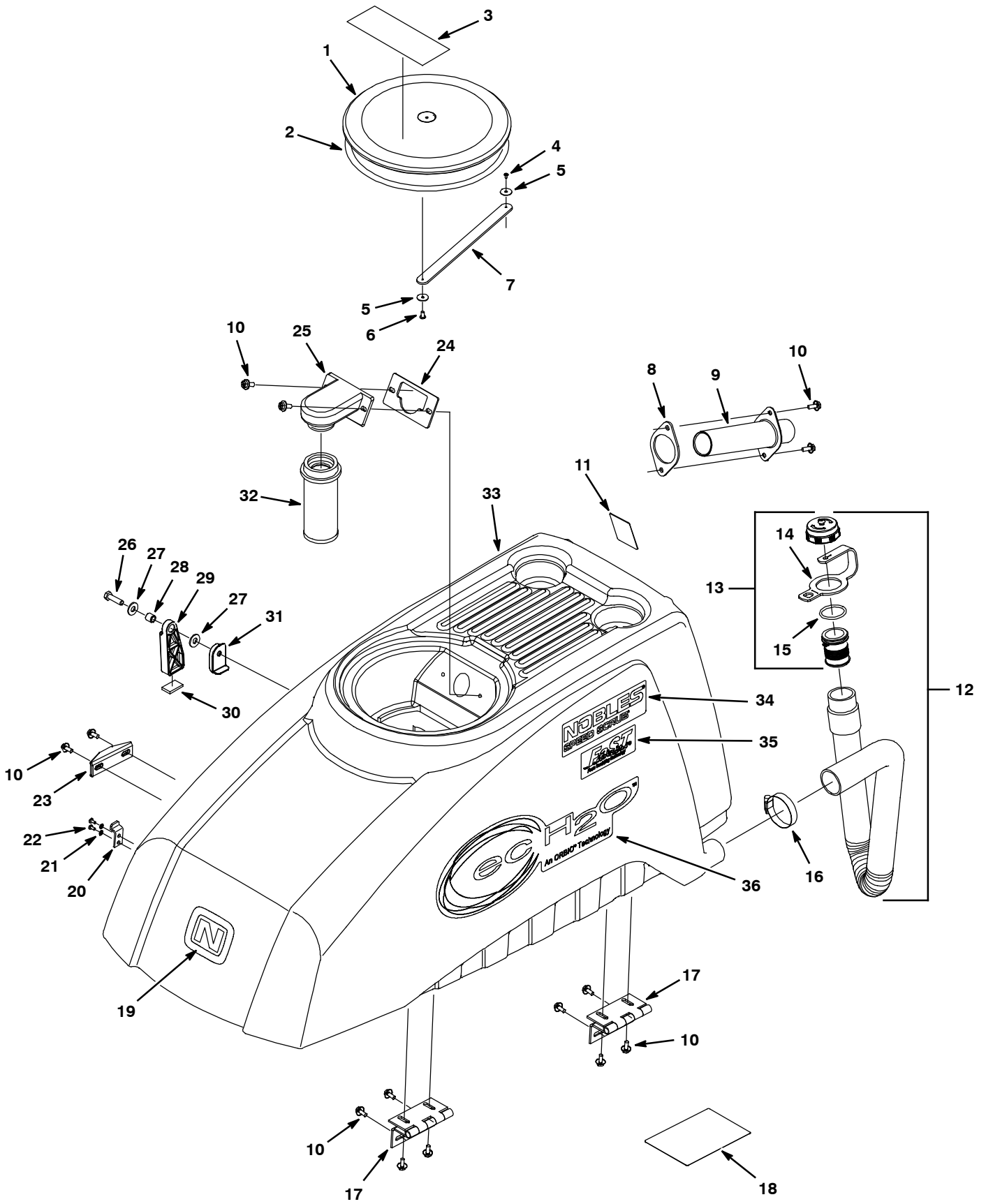
PAD DRIVER GROUP



PAD DRIVER GROUP

| Ref. | Part No. | Serial Number | Description | Qty. |
|------|----------|---------------|---|------|
| 1 | 385944 | (00000000- |) Driver Assy, Pad, 12 D, Brush | 2 |
| 1 | 399249 | (00000000- |) Driver Assy, Pad, 14 D, Brush | 2 |
| 1 | 399250 | (00000000- |) Driver Assy, Pad, 16 D, Brush | 2 |
| 2 | 10908 | (00000000- |) Nut, T, M4 X 0.7 | 3 |
| 3 | 32747 | (00000000- |) Screw, Pan, M6 X 1.0 X 40, Ss | 3 |
| 4 | 21852 | (00000000- |) Bracket, Retainer, Spring | 2 |
| 5 | 21853 | (00000000- |) Spring, Wir, 0.16d, Brush Retaining (12" Driver Assy) | 1 |
| 5 | 1028905 | (00000000- |) Spring, Wir, 0.16d, Brush Retaining, (14" & 16" Driver Assy) | 1 |
| 6 | 1017112 | (00000000- |) Hub, Drive, Brush, Disk, 3hole 5.8bc | 1 |
| 7 | 05709 | (00000000- |) Nut, T, M6 X 1.00 | 3 |
| 8 | 41579 | (00000000- |) Washer, Flat, #8, Ss | 3 |
| 9 | 04403 | (00000000- |) Screw, Pan, M4 X 0.7 X 25, Ss, NI | 3 |
| 10 | 370095 | (00000000- |) Device, Centering, Clip-On, Teal, Gf Pp | 1 |
| 11 | 385940 | (00000000- |) Pad, Polish, 12.0d, White [1pad=1pc] (Polishing) | 2 |
| 11 | 385941 | (00000000- |) Pad, Buff, 12.0d, Red [1pad=1pc] (Light Scrubbing & Buffing) | 2 |
| 11 | 385942 | (00000000- |) Pad, Scb, 12.0d, Blu [1pick = 1 Pad] (Blue) (Medium Scrubbing) | 2 |
| 11 | 385943 | (00000000- |) Pad, Stripping, 12.0d, Brown [1pad=1pc] (Deep Scrubbing & Stripping) | 2 |
| 11 | 1051020 | (00000000- |) Pad, Surf Prep, 12.0d [Mar, 1pick=1pad] (Maroon) (Surface Preparation) | 2 |
| 11 | 222324 | (00000000- |) Pad, Polish, 14.0d, White [1pad=1pc] (Polishing) | 2 |
| 11 | 222325 | (00000000- |) Pad, Buff, 14.0d, Red (Light Scrubbing & Buffing) | 2 |
| 11 | 222326 | (00000000- |) Pad, Scb, 14.0d, Blu [1pad=1pc] (Blue) (Medium Scrubbing) | 2 |
| 11 | 222327 | (00000000- |) Pad, Stripping, 14.0d, Brown [1pad=1pc] (Deep Scrubbing & Stripping) | 2 |
| 11 | 1051026 | (00000000- |) Pad, Surf Prep, 14.0d [Mar, 1pick=1pad] (Maroon) (Surface Preparation) | 2 |
| 11 | 63248-4 | (00000000- |) Pad, Polish, 16.0d, White [1pad=1pc] (Polishing) | 2 |
| 11 | 63248-3 | (00000000- |) Pad, Buff, 16.0d, Red (Light Scrubbing & Buffing) | 2 |
| 11 | 63248-2 | (00000000- |) Pad, Scb, 16.0d, Blu [1pad=1pc] (Blue) (Medium Scrubbing) | 2 |
| 11 | 63248-1 | (00000000- |) Pad, Stripping, 16.0d, Brown [1pad=1pc] (Deep Scrubbing & Stripping) | 2 |
| 11 | 1051027 | (00000000- |) Pad, Surf Prep, 16.0d [Mar, 1pick=1pad] (Maroon) (Surface Preparation) | 2 |

RECOVERY TANK GROUP



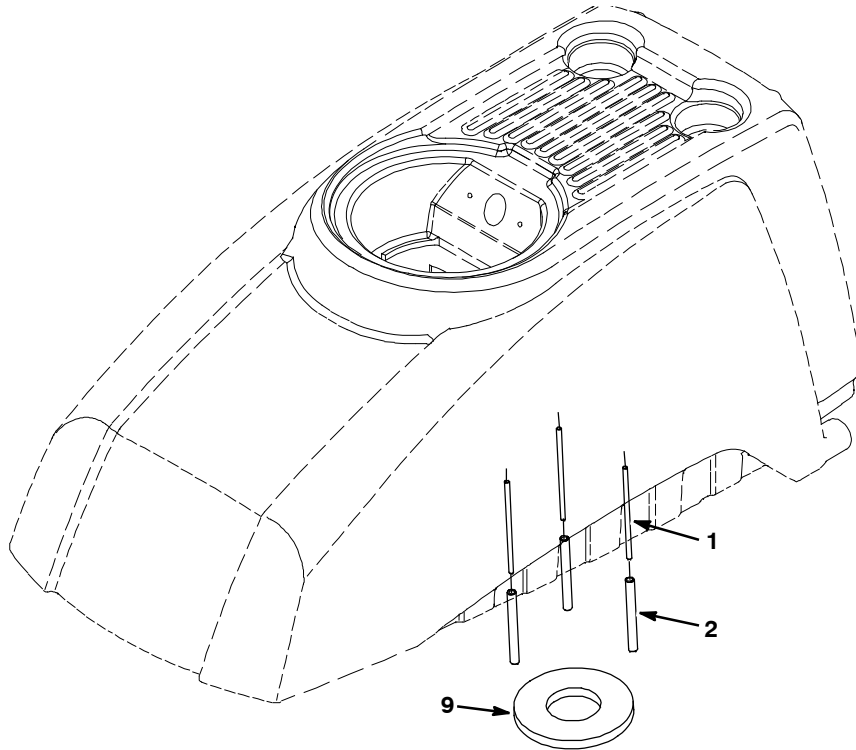
RECOVERY TANK GROUP

| Ref. | Part No. | Serial Number | Description | Qty. |
|------|----------|---------------|--|------|
| ▽ | 1 | 1017958 | (00000000-) Lid Assy, Tank, Recvy | 1 |
| ▲ | 2 | 1017959 | (00000000-) Seal, Bulb, Str, 0.50h .50w 032.0l, Adh | 1 |
| ▲ | 3 | 1026386 | (00000000-) Label, Warning [Expl,Fire,Shk En/Fr/Es] | 1 |
| | 4 | 3701.6 | (00000000-) Screw, Pan, #06-32 X 0.38, Phl Ss Shtmtl | 1 |
| | 5 | 1009168 | (00000000-) Washer, Flat, 0.17b 0.75d .04, Ss | 2 |
| | 6 | 606915 | (00000000-) Screw, Pan, #10-16 X 0.38, Ss, F/ Plstc | 1 |
| | 7 | 1001005 | (00000000-) Strap, Retaining, Cover | 1 |
| | 8 | 1024602 | (00000000-) Gasket, Adapter, Hose .13, Neo, Adh | 1 |
| | 9 | 1021214 | (00000000-) Tube, Hose, Adapter, 1.5d | 1 |
| | 10 | 1034731 | (00000000-) Screw, Hex, M6 X 1.00 X 16, Ss, Sems | 14 |
| | 11 | 1025660 | (00000000-) Label, Nfsi, Thk Adh (Fast & ec-H2O Models) | 1 |
| ▽ | 12 | 1043538 | (00000000-) Hose Assy, Drain, 1.50id X 29.5l, Blk | 1 |
| ▲▽ | 13 | 1008639 | (00000000-) Cap, Drain Assy | 1 |
| ▲▲ | 14 | 1019563 | (00000000-) Strap, Cap, Drain | 1 |
| ▲▲ | 15 | 1008637 | (00000000-) Seal, Org, 1.48id 1.76od | 1 |
| | 16 | 11531 | (00000000-) Clamp, Hose, Wormdrive, 1.06-2.00d, .56w | 1 |
| | 17 | 1022380 | (00000000-) Hinge, 7mmpin 3mm Th 73.5mmw 100mml | 2 |
| | 18 | 1024802 | (00000000-) Label, Instr, Battery | 1 |
| | 19 | 1034637 | (00000000-) Label, Front, 3.50 [Nobles Icon] | 1 |
| | 20 | 49800 | (00000000-) Latch | 1 |
| | 21 | 02938 | (00000000-) Washer, Lock, Int, #08, Ss | 2 |
| | 22 | 391403 | (00000000-) Screw, Pan, M4 X 0.7 X 8, Ss | 2 |
| | 23 | 1061143 | (00000000-) Bracket, Guide, Recvy Tank, [T5, Ss5] | 1 |
| | 24 | 630255 | (00000000-) Gasket, Float, Mount | 1 |
| | 25 | 630053 | (00000000-) Mount, Cage, Float [20.0 Scrubber] | 1 |
| | 26 | 1039118 | (00000000-) Screw, Btn, M8 X 1.25 X 30, Blk | 1 |
| | 27 | 140027 | (00000000-) Washer, Flat, 0.35b 0.75d .04, Ss | 2 |
| | 28 | 222460 | (00000000-) Sleeve, P/M, 0.31b 0.50d 0.5l | 1 |
| | 29 | 1022399 | (00000000-) Support, Tank, Prop, Blk, Nyl | 1 |
| | 30 | 1032763 | (00000000-) Gasket, Stand, Support | 1 |
| | 31 | 1022904 | (00000000-) Bracket, Sppt, Stop, Blk, Nyl | 1 |
| | 32 | 630052 | (00000000-) Float, Shut-Off, (2)Ball, 1.75d | 1 |
| ▽ | 33 | 9003652 | (00000000-) Tank Kit, Recvy [Ss5] | 1 |
| ▲ | 34 | 1064991 | (00000000-) Label, Model [Speed Scrub] | 2 |
| | 35 | 1064994 | (00000000-) Label, Logo, 06.1l Dk Gr [Fast] | 2 |
| | 36 | 1064823 | (00000000-) Label, Logo, 12.3l 4color [Ech2o Nobles] | 2 |

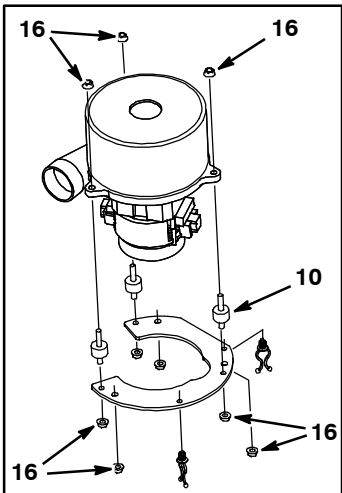
▽ ASSEMBLY

▲ INCLUDED IN ASSEMBLY

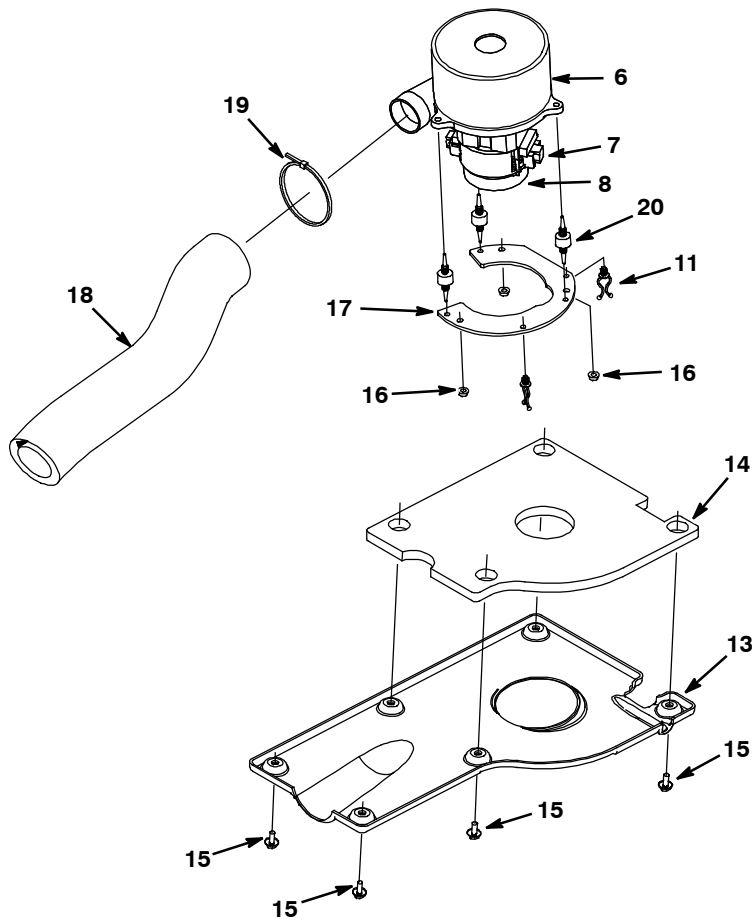
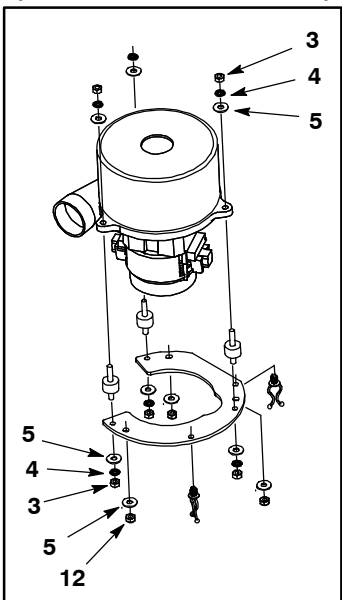
VACUUM MOTOR GROUP



(S/N 10358065-10519188)



(S/N 00000000-10358064)



VACUUM MOTOR GROUP

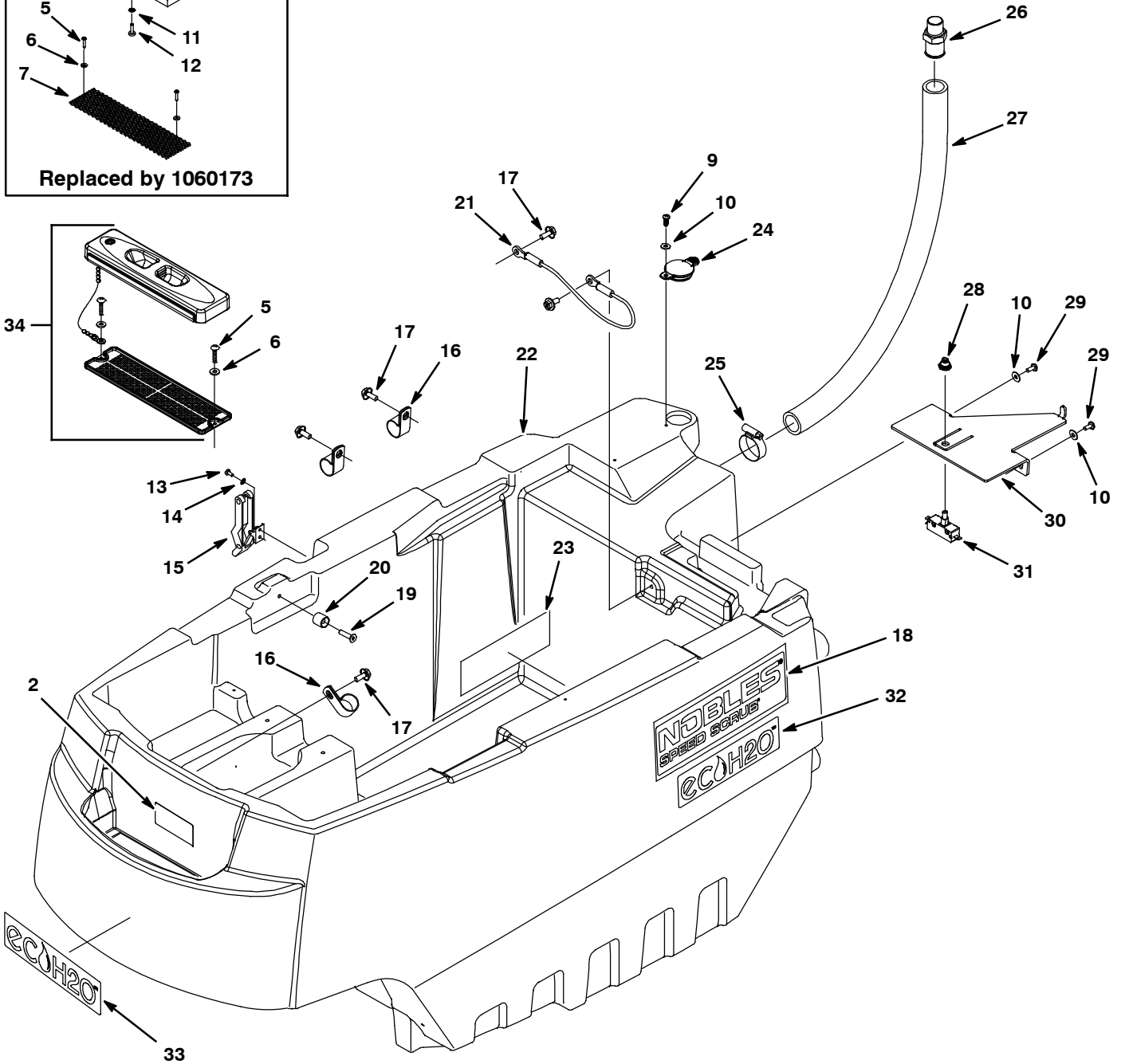
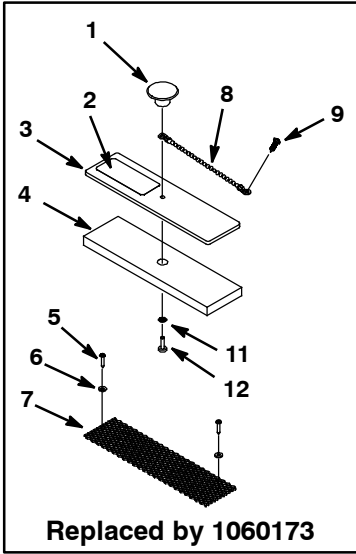
| Ref. | Part No. | Serial Number | Description | Qty. | |
|------|----------|--------------------|------------------------------------|--|---|
| 1 | 1015412 | (00000000- |) Rod, Thrd, Full, M06 X 1.0 05.5l | 3 | |
| 2 | 1022406 | (00000000- |) Tube, 0.43d 0.28b 04.2l, Stl, Pl | 3 | |
| 3 | 07785 | (00000000-10358064 |) Nut, Hex, Std, M6 X 1.0, A2, Ss | 6 | |
| 4 | 07515 | (00000000-10358064 |) Washer, Lock, Int, 0.25 Ss | 6 | |
| 5 | 01684 | (00000000-10358064 |) Washer, Flat, 0.25 Ss | 9 | |
| ▽ | 6 | 1025106 | (00000000- |) Fan, Vacuum, 5.7d, 3s, 24vdc, Us | 1 |
| ▲ | 7 | 190163 | (00000000- |) Brush, Carbon, Motor, Ele [1pick=1pkg] | 1 |
| ▲ | 8 | 130487 | (00000000- |) Housing, Motor, Fan, Vent | 1 |
| | 9 | 100038 | (00000000- |) Gasket, Vacuum Mtr 5.7 Epdm W/Psa | 1 |
| | 10 | 1011093 | (00000000-10519188 |) Isolator, Vib, .75d, M6 Stud Both Ends | 3 |
| | 11 | 30406 | (00000000- |) Clip, Keeper | 2 |
| | 12 | 08712 | (00000000-10358064 |) Nut, Hex, Lock, M6 X 1.0, Ss, NI | 3 |
| | 13 | 1022268 | (00000000- |) Cover, Vac, Noise | 1 |
| | 14 | 1024112 | (00000000- |) Pad, Foam, Insulator | 1 |
| | 15 | 1034731 | (00000000- |) Screw, Hex, M6 X 1.00 X 16, Ss, Sems | 6 |
| | 16 | 1040381 | (10519189- |) Nut, Hex, Flng, M6 X 1.0, Ss [Serrated] | 3 |
| | 16 | 1040381 | (10358065-10519188 |) Nut, Hex, Flng, M6 X 1.0, Ss [Serrated] | 9 |
| | 17 | 1022375 | (00000000- |) Bracket, Mtg, Vacuum | 1 |
| | 18 | 390677 | (00000000- |) Muffler, Exhaust, Vacuum Fan, Long | 1 |
| | 19 | 130773 | (00000000- |) Tie, Cable, Nyl, 11.0l, .14w, 3.0 Max. D | 1 |
| | 20 | 1062016 | (10519189- |) Isolator, Vib, .75d | 3 |

▽ ASSEMBLY

▲ INCLUDED IN ASSEMBLY

SOLUTION TANK GROUP

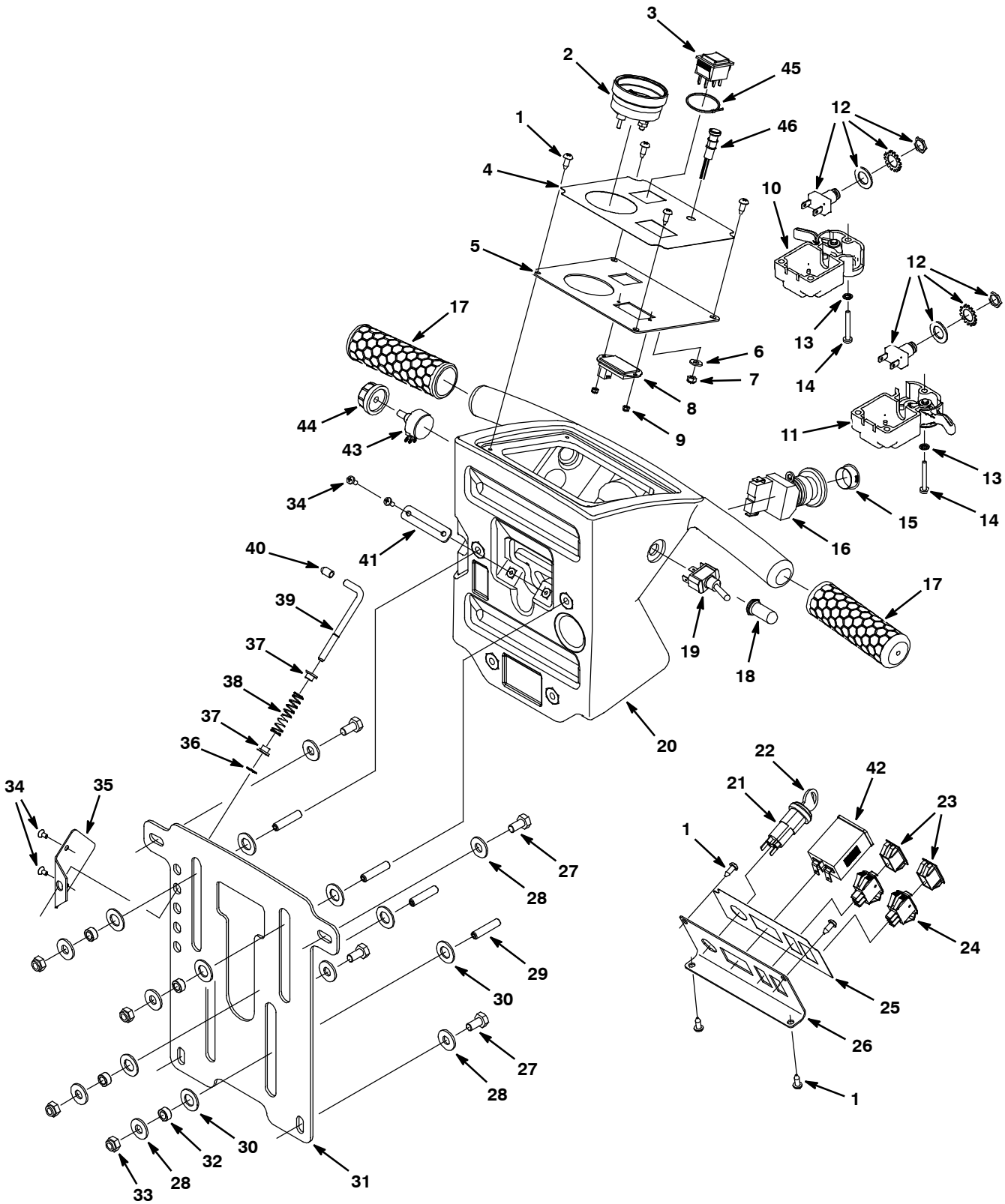
(S/N 0000000-10517541)



SOLUTION TANK GROUP

| Ref. | Part No. | Serial Number | Description | Qty. |
|------|----------|----------------------|---|------|
| 1 | 578301 | (00000000-10517541) | Knob 10-32f Fill-Cover | 1 |
| 2 | 391451 | (00000000- | Label [Attention Fast Users] (Fast Model) | 1 |
| 2 | 1050003 | (10378380- | Label, User, Attention, Ec-H2o | 1 |
| 3 | 605061 | (00000000-10517541) | Cover Solution Fill (Replaced by 1060173) | 1 |
| 4 | 605062 | (00000000-10517541) | Gasket, Cover, Soltn Fill (Replaced by 1060173) | 1 |
| 5 | 140826 | (00000000- | Screw, Pan, #06-32 X 0.75, Ss, Fmg [Ab] | 2 |
| 6 | 140032 | (00000000- | Washer, Flat, #6, Ss | 2 |
| 7 | 606146 | (00000000-10517541) | Screen, Fltr, Soltn Fill, Nat (Replaced by 1060173) | 1 |
| 8 | 621443 | (00000000-10517541) | Chain, Ball, #10, 157mml, Ss | 1 |
| 9 | 1018155 | (00000000-10517541) | Screw, Pan, M5 X 0.8 X16, Ss, Tcut | 2 |
| 10 | 01684 | (00000000- | Washer, Flat 0.25, Ss | 2 |
| 11 | 07514 | (00000000-10517541) | Washer, Lock, Int, #10, Ss | 1 |
| 12 | 140841 | (00000000-10517541) | Screw, Pan, #10-32 X 0.62, Phl, Ss | 1 |
| 13 | 391403 | (00000000- | Screw, Pan, M4 X 0.7 X 8, Ss | 2 |
| 14 | 02938 | (00000000- | Washer, Lock, Int, #08, Ss | 2 |
| 15 | 49800 | (00000000- | Latch | 1 |
| 16 | 630428 | (00000000- | Clamp, Cable, Stl, 1.00d X 0.50w, .25mnt | 3 |
| 17 | 1034731 | (00000000- | Screw, Hex, M6 X 1.00 X 16, Ss, Sems | 5 |
| 18 | 1024781 | (00000000- | Label, Side [Spdscrub] (Replaced by 1064991) | 2 |
| 19 | 222692 | (00000000- | Screw, Flt, M8 X1.25 X 25, Ss, 18-8, NI | 1 |
| 20 | 1027028 | (00000000- | Spacer, Guide, Tank | 1 |
| 21 | 140960 | (00000000- | Cable, Glv .13d 014.5l .34eye /.34eye | 1 |
| 22 | 9003653 | (00000000- | Tank Kit, Soltn [Ss5] | 1 |
| 23 | 1028175 | (00000000- | Label, Instr [Charger Setting] | 1 |
| 24 | 1012965 | (00000000- | Cap, Port, Soltn Fill | 1 |
| 25 | 11399 | (00000000- | Clamp, Hose, Wormdrive, 0.81-1.50d, .50w | 1 |
| 26 | 1041082 | (00000000- | Fitting, Plstc, Str, Bm16/Pm12 | 1 |
| 27 | 1023809 | (00000000- | Hose, Drain, 1.00id X 22.8l, Vyl [T5] | 1 |
| 28 | 1035711 | (00000000- | Boot, Switch, Hex Nut, .38-32 Thd | 1 |
| 29 | 609062 | (00000000- | Screw, Trs, M5 X 0.80 X 12, Phl, Ss | 2 |
| 30 | 1026571 | (00000000- | Bracket, Hose, Cable Stay | 1 |
| 31 | 606292 | (00000000- | Switch, Push, Actuator, 20a | 1 |
| 32 | 1050019 | (10378380- | Label, Side, Ec-H2o [Ss3/Ss5/Ss rider] (NLA - Rpld by 1064823 - see Recovery Tank Group) | 2 |
| 33 | 1050020 | (10378380- | Label, Front, Ec-H2o [Ss5] (NLA - No Longer Available) | 1 |
| 34 | 1060173 | (10517542- | Cover Assy, Tank, Soltn Fill | 1 |

CONTROL CONSOLE GROUP



CONTROL CONSOLE GROUP

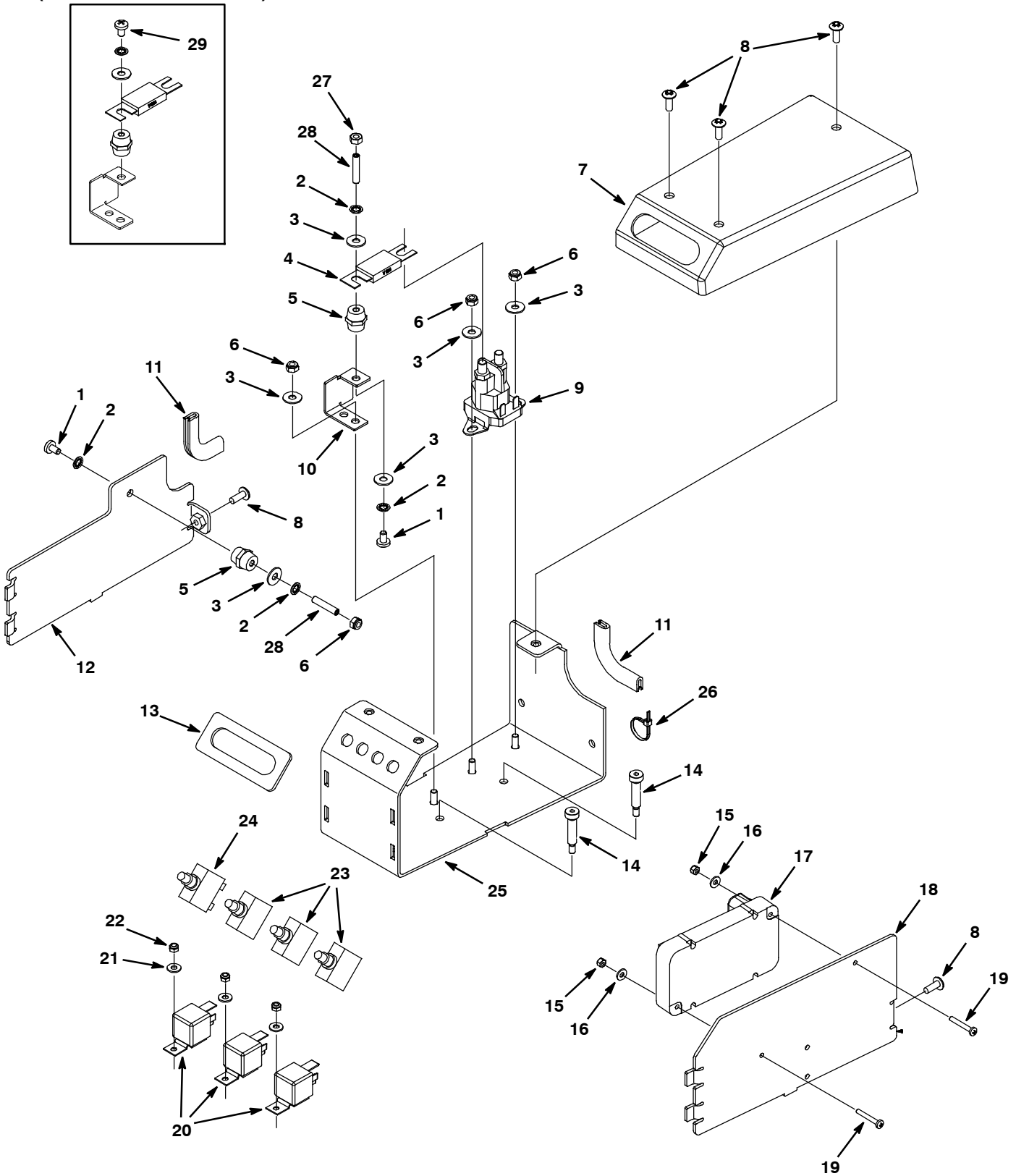
| Ref. | Part No. | Serial Number | Description | Qty. | |
|------|----------|---------------|--|--|---|
| 1 | 1009324 | (00000000- |) Screw, Pan, #10-16 X 0.50, Phl, Blk [Ty-17] | 8 | |
| 2 | 1041318 | (00000000- |) Gauge, Press, Brush, Afmkt 0-20-40a [Ss5] | 1 | |
| 3 | 1007012 | (00000000- |) Switch, Rocker, Dpdt Mom/Off/Mom | 1 | |
| 4 | 1025114 | (00000000- |) Label, Opertnl, Upper (Standard & Fast Models) | 1 | |
| 4 | 1050010 | (10378380- |) Label, Console, Upper Ec-H2o [T5e/Ss5] | 1 | |
| 5 | 1041719 | (00000000- |) Panel, Opertnl, Upper [Ss5] | 1 | |
| 6 | 01683 | (00000000- |) Washer, Flat, #10, Ss | 1 | |
| 7 | 09739 | (00000000- |) Nut, Hex, Lock, M5 X 0.80, NI, Ss | 1 | |
| 8 | 392894 | (00000000- |) Gauge, Discharge, Battery, 36vdc, Rt, Led | 1 | |
| 9 | 579211 | (00000000- |) Nut, Hex, Lock, M3 X 0.50, Ss | 2 | |
| ▽ | 10 | 1063175 | (00000000- |) Controlbox Assy, Trigger, Rh | 1 |
| ▽ | 11 | 1063198 | (00000000- |) Controlbox Assy, Trigger, Lh | 1 |
| ▲ | 12 | 9008568 | (00000000- |) Switch Kit, W/ Washers, Fr/ F/1063165 | 2 |
| | 13 | 02938 | (00000000- |) Washer, Lock, Int, #08, Ss | 6 |
| | 14 | 33931 | (00000000- |) Screw, Pan, Phl, M4 X 0.70 X 30, Ss | 6 |
| | 15 | 130161 | (00000000- |) Plug, Hole, Rnd, 0.875d, Blk | 1 |
| | 16 | 1011735 | (00000000- |) Switch, Safety, Shutoff (Optional) | 1 |
| | 17 | 1026407 | (00000000- |) Grip, Handle, 1.25d X 4.75l | 2 |
| | 18 | 130753 | (00000000- |) Boot, Switch 1.00l Blk | 1 |
| | 19 | 601108 | (00000000- |) Switch, Toggle, Mom/On/On | 1 |
| | 20 | 9003654 | (00000000- |) Housing Kit, Cntrl [Ss5] | 1 |
| ▽ | 21 | 1011402 | (00000000- |) Switch, Key | 1 |
| ▲ | 22 | 1017696 | (00000000- |) Key, Replmt [F/ Keyswitch 1011402] | 1 |
| | 23 | 582150 | (00000000- |) Plug, Hole, Rt, 1.23 X 1.12, Nyl | 2 |
| | 24 | 130787 | (00000000- |) Switch, Rocker, Spdt (Optional) | 2 |
| | 25 | 1025116 | (00000000- |) Label, Opertnl, Lower (Standard & Fast Models) | 1 |
| | 25 | 1050011 | (10378380- |) Label, Console, Lower, Ec-H2o [T5e/Ss5] | 1 |
| | 26 | 1024111 | (00000000- |) Panel, Instmt, Lower | 1 |
| | 27 | 49826 | (00000000- |) Screw, Hex, M8 X 1.25 X 16, Ss, NI | 4 |
| | 28 | 01685 | (00000000- |) Washer, Flat, 0.31, Ss | 8 |
| | 29 | 607461 | (00000000- |) Screw, Set, M8 X 1.25 X 35, NI | 4 |
| | 30 | 608562 | (00000000- |) Washer, Flat, 0.51b 0.94d .06, Nyl | 8 |
| | 31 | 1022888 | (00000000- |) Bracket, Mtg, Console | 1 |
| | 32 | 607783 | (00000000- |) Bearing, Sleeve, .31id X .50od X .25, Bnz | 4 |
| | 33 | 08709 | (00000000- |) Nut, Hex, Lock, M8 X 1.25, NI | 4 |
| | 34 | 607006 | (00000000- |) Screw, Trs, M4 X 0.70 X 12, Phl, PI | 4 |
| | 35 | 630087 | (00000000- |) Plate, Latch, Retainer | 1 |
| | 36 | 630084 | (00000000- |) Ring, Retaining, Ext, 4.62mm, [E-Ring] | 1 |
| | 37 | 630083 | (00000000- |) Bushing, Latch | 2 |
| | 38 | 630082 | (00000000- |) Spring, Cmpr, 10.7d, 0.9w, 44.4l, PI[Mw] | 1 |
| | 39 | 630081 | (00000000- |) Lever, Latch, Console Adjust | 1 |
| | 40 | 630094 | (00000000- |) Cap, Vinyl, 2.26 ld X 12.7lg, Blk | 1 |
| | 41 | 1026699 | (00000000- |) Bracket, Retaining | 1 |
| | 42 | 1011282 | (00000000- |) Gauge, Hourmeter, 12/60 Vdc [Ret Mount] | 1 |
| | 43 | 1042687 | (00000000- |) Harness, Pot, Wire Assy [45k Ohm] | 1 |
| | 44 | 1028037 | (00000000- |) Knob, 1.25 Dia | 1 |
| | 45 | 130773 | (00000000- |) Tie, Cable, Nyl, 11.0l, .14w, 3.0 Max. D | 1 |
| | 46 | 1041822 | (10378380- |) Light, Led, .312D, 5 Volt [Tri-Color] (ec-H2O Model) | 1 |

▽ ASSEMBLY

▲ INCLUDED IN ASSEMBLY

COMPONENT PANEL GROUP

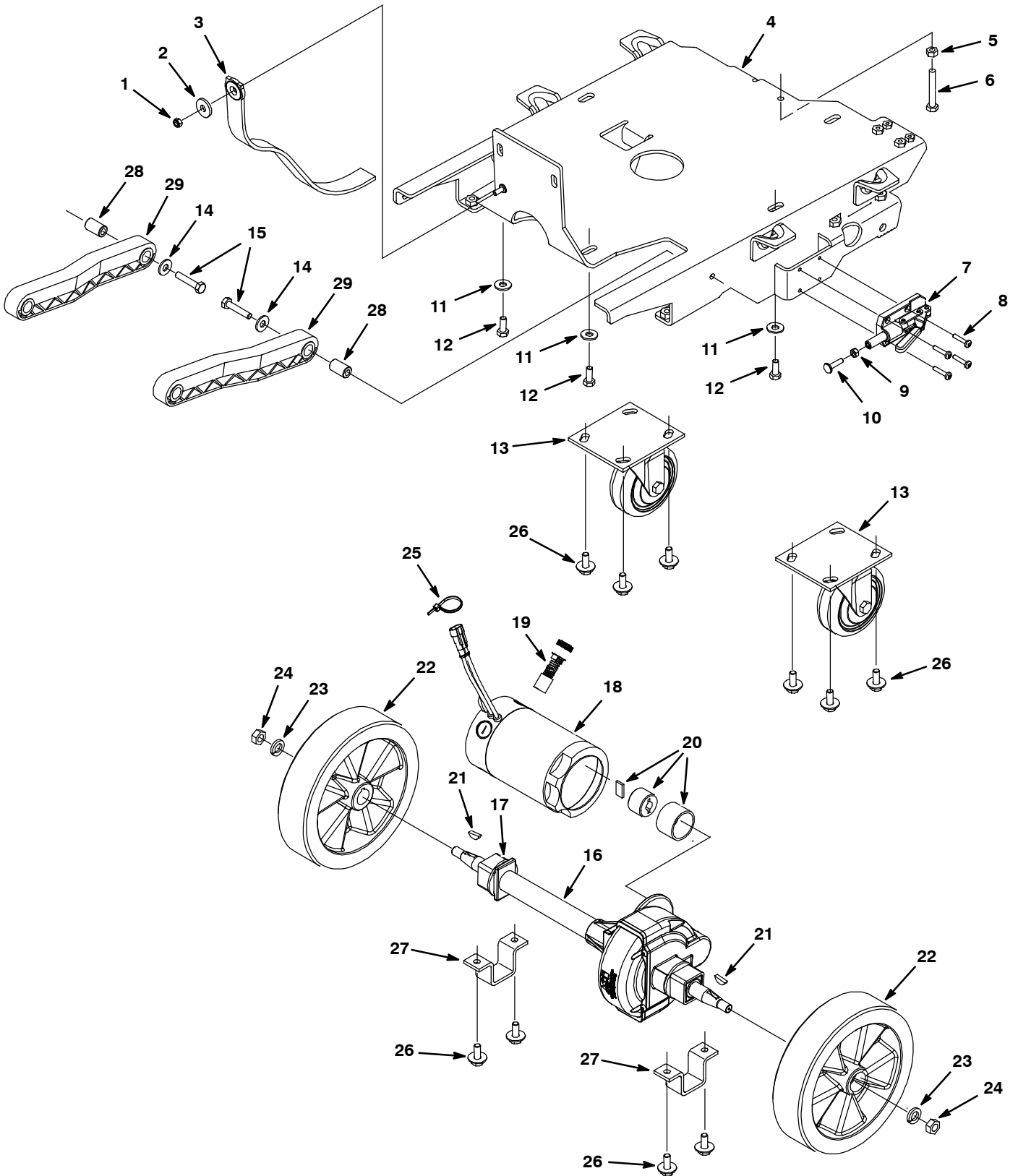
(S/N 00000000-10473939)



COMPONENT PANEL GROUP

| Ref. | Part No. | Serial Number | Description | Qty. |
|------|----------|--------------------|--|------|
| 1 | 48732 | (10473940- |) Screw, Pan, M6 X 1.0 X 10, Ss | 2 |
| 2 | 07515 | (00000000- |) Washer, Lock, Int, 0.25, Ss | 4 |
| 3 | 01684 | (00000000- |) Washer, Flat, 0.25, Ss | 6 |
| 4 | 86379 | (00000000- |) Fuse, 100a 125volt 0.88 X 3.2l | 1 |
| 5 | 1013523 | (00000000- |) Stand-Off, Wir, M6, 18 Hex, 20l, Insul | 2 |
| 6 | 08712 | (00000000- |) Nut, Hex, Lock, M6 X 1.00, Ss, NI | 4 |
| 7 | 1024712 | (00000000- |) Cover, Electronics | 1 |
| 8 | 608322 | (00000000- |) Screw, Trs, M6 X 1.00 X 16, Phl, Ss | 5 |
| 9 | 1038490 | (00000000- |) Relay, 24vdc, 100a, No [Trombetta] | 1 |
| 10 | 1023868 | (00000000- |) Bracket, Stand-Off | 1 |
| 11 | 1027209 | (00000000- |) Trim, Edge, Plstc, .12 X 65mm | 2 |
| 12 | 1026777 | (00000000- |) Brkt, Side, Rh | 1 |
| 13 | 1025658 | (00000000- |) Gasket, Cover, Electronics | 1 |
| 14 | 1024965 | (00000000- |) Bolt, Shld, 08mmd X 030mm, M06 X 1.0 | 2 |
| 15 | 33932 | (00000000- |) Nut, Hex, Lock, M4 X 0.70, NI, Ss | 2 |
| 16 | 41579 | (00000000- |) Washer, Flat, #08, Ss | 2 |
| 17 | 1052261 | (00000000- |) Module, Cntrl, Drive [Ss5] | 1 |
| 18 | 1029123 | (00000000- |) Brkt, Side, Lh | 1 |
| 19 | 33931 | (00000000- |) Screw, Pan, M4 X 0.7 X 30, Ss | 2 |
| 20 | 1012216 | (00000000- |) Relay, 24vdc, 070a, Spst No, Plug-In | 3 |
| 21 | 01683 | (00000000- |) Washer, Flat, #10, Ss | 3 |
| 22 | 09739 | (00000000- |) Nut, Hex, Lock, M5 X 0.80, NI, Ss | 3 |
| 23 | 383724 | (00000000- |) Circuitbreaker, 25.0a, Resetable | 3 |
| 24 | 383721 | (00000000- |) Circuitbreaker, 10.0a | 1 |
| 25 | 1026776 | (00000000- |) Wldt, Panel, Elec | 1 |
| 26 | 130773 | (00000000- |) Tie, Cable, Nyl, 11.0l, .14w, 3.0 Max. D | 1 |
| 27 | 07785 | (10473940- |) Nut, Hex, Std, M6 X 1.00, Ss | 1 |
| 28 | 1018559 | (10473940- |) Screw, Set, M6 X 1.0 X 30, Ss | 2 |
| 29 | 48732 | (00000000-10473939 |) Screw, Pan, M6 X 1.0 X 10, Ss (Replaced By #27 & 28) | 1 |

FRAME GROUP



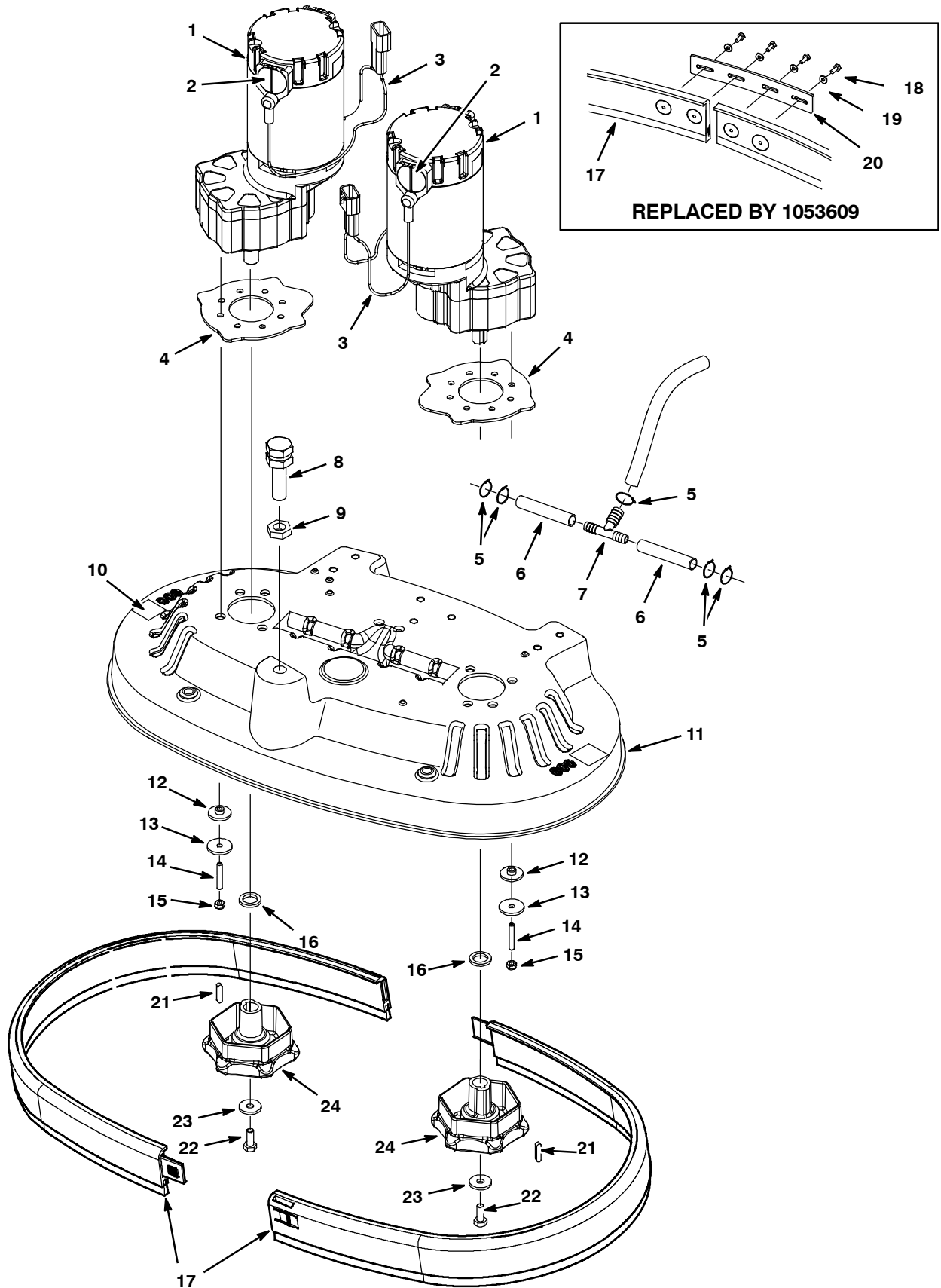
FRAME GROUP

| Ref. | Part No. | Serial Number | Description | Qty. |
|------|----------|---------------|--|------|
| 1 | 08712 | (00000000- |) Nut, Hex, Lock, M6 X 1.0, Ss, NI | 1 |
| 2 | 140053 | (00000000- |) Washer, Flat, 0.28b 0.88d .12, Ss | 1 |
| 3 | 1029181 | (00000000- |) Strap, Static | 1 |
| 4 | 1020959 | (00000000- |) Frame Wldt, Transaxle | 1 |
| 5 | 07786 | (00000000- |) Nut, Hex, Std, M8 X 1.25, Ss | 1 |
| 6 | 222504 | (00000000- |) Screw, Hex, M8 X 1.25 X 55, Ss | 1 |
| 7 | 1022878 | (00000000- |) Clamp, Str, 30mm Strk (Optional) | 1 |
| 8 | 1030769 | (00000000- |) Screw, Pan, M5 X 0.8 X 25 Fmg | 4 |
| 9 | 07785 | (00000000- |) Nut, Hex, Std, M6 X 1.0, A2, Ss | 1 |
| 10 | 1017416 | (00000000- |) Screw, Weld, M06 X 1.00 X 25, Thru, Ss | 1 |
| 11 | 1016331 | (00000000- |) Washer, Flat, 0.34b 1.25d .11, Ss | 5 |
| 12 | 12273 | (00000000- |) Screw, Hex, M8 X 1.25 X 20, Ss, NI | 5 |
| 13 | 1049048 | (00000000- |) Caster, Swivel, 4.0d 1.4w, 4hole [400lb] | 2 |
| 14 | 01685 | (00000000- |) Washer, Flat, 0.31 Ss | 2 |
| 15 | 74440 | (00000000- |) Screw, Hex, M8 X 1.25 X 40, Ss, NI | 2 |
| ▽ | 16 | 1021168 | (00000000-) Transaxle, 24vdc, 110rpm [Asi] | 1 |
| ▲ | 17 | 612880 | (00000000-) Sleeve, Transaxle, Replmt | 2 |
| ▲▽ | 18 | 1031723 | (00000000-) Motor, Transaxle, 24vdc, Replmt, Asi | 1 |
| ▲▲ | 19 | 614166 | (00000000-) Brush Kit, Carbon [Qty 4] | 1 |
| ▲ | 20 | 1017782 | (00000000-) Coupling Kit, Transaxle, Replmt [11057] | 1 |
| ▲ | 21 | 1021167 | (00000000-) Key, Woodruff, 5mm | 2 |
| ▽ | | 9004909 | (00000000-) Wheel Kit, Solid, Ci [T5 T5e Ss5] | 1 |
| ▲ | 22 | 1020688 | (00000000-) Wheel, Scrbr, 213.00mm With Taper | 2 |
| | 23 | 140024 | (00000000-) Washer, Lock, Splt, 0.50, Ss | 2 |
| | 24 | 07788 | (00000000-) Nut, Hex, Std, M12 X 1.75, Ss | 2 |
| | 25 | 130773 | (00000000-) Tie, Cable, Nyl, 11.0l, .14w, 3.0 Max. D | 4 |
| | 26 | 1020341 | (00000000-) Screw, Hex, M8 X 1.25 X 20, Ss, Sems | 12 |
| | 27 | 606001 | (00000000-) Bracket, Transaxle, Mtg, Ylw Zn | 2 |
| | 28 | 606056 | (00000000-) Tube, 00.62d 00.32b 01.0l Stl Plt | 2 |
| | 29 | 222027 | (00000000-) Arm, Lift, Head, | 2 |

▽ ASSEMBLY

▲ INCLUDED IN ASSEMBLY

SCRUB HEAD GROUP, DISK 24 in / 600 mm



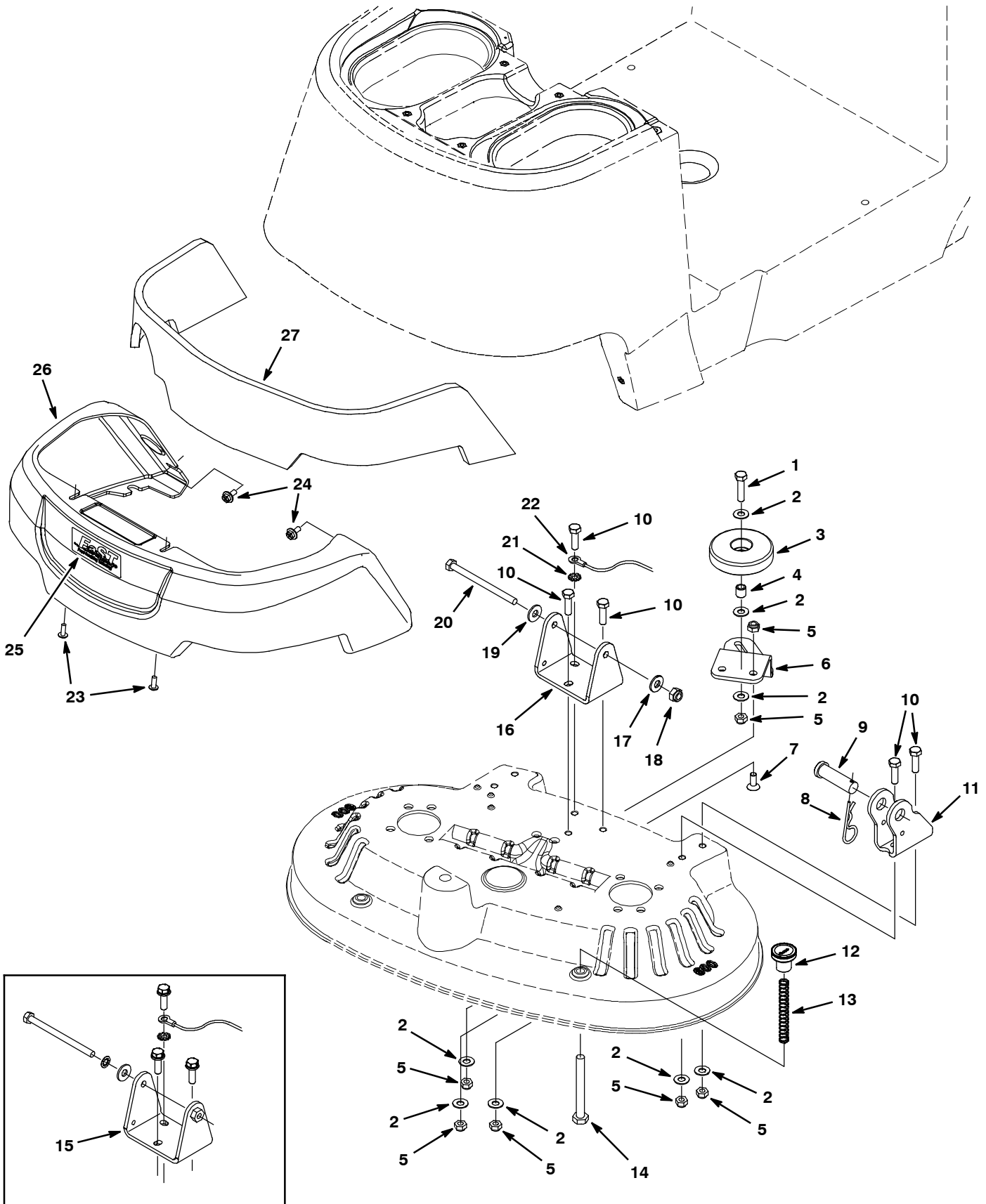
SCRUB HEAD GROUP, DISK 24 in / 600 mm

| Ref. | Part No. | Serial Number | Description | Qty. |
|------|----------|---------------|---|------|
| ▽ | 1 | 1023067 | (00000000-) Motor, Gearbox,24vdc, 220rpm, 0.75hp | 2 |
| ▲ | 2 | 1031775 | (00000000-) Brush, Brush-Motor, Afmkt | 1 |
| ▲ | 3 | 1031681 | (00000000-) Harness, Connector, Brush-Motor-Us | 1 |
| | 4 | 1024321 | (00000000-) Spacer, Rbr, Motor | 2 |
| | 5 | 130773 | (00000000-) Tie, Cable, Nyl, 11.0l, .14w, 3.0 Max. D | 7 |
| | 6 | 606362 | (00000000-) Hose 3/8IdX5/8OdX6.5 (611254) | 2 |
| | 7 | 1022556 | (00000000-) Fitting, Plstc, Tee, Bm06/Bm06/Bm08 | 1 |
| | 8 | 1022424 | (00000000-) Stud, Adj, M16, Scrub Head | 1 |
| | 9 | 763066 | (00000000-) Nut, Hex, Jam, M16 X 2.0 | 1 |
| | 10 | 578769 | (00000000-) Label, Moving Parts | 2 |
| | 11 | 1022402 | (00000000-) Housing, Casting, Head, 60cm, Mach | 1 |
| | 12 | 1025160 | (00000000-) Grommet, Isolator, 6b X 10od X 26.0fl | 8 |
| | 13 | 386063 | (00000000-) Washer, Flat, 0.25b 1.12d .12, Ss | 8 |
| | 14 | 1025853 | (00000000-) Screw, Set, M6 X 1.00 X 35, Ss, NI | 8 |
| | 15 | 08712 | (00000000-) Nut, Hex, Lock, M6 X 1.0, Ss, NI | 8 |
| | 16 | 1022549 | (00000000-) Spacer, Shaft, 17.15b, 25.0d, 3.0t | 2 |
| | 17 | 1053609 | (10443636-) Bumper, Head, 60cm, Bristle Skirt | 1 |
| | 17 | 1024938 | (00000000-10443635) Bumper, Head, 60cm, Bristle Skirt, Assy (OBS REPLACED BY 1053609) | 1 |
| | 18 | 1020234 | (00000000-10443635) Screw, Hex, M4 X 0.7 X 10, Ss | 4 |
| | 19 | 41578 | (00000000-10443635) Washer, Flat, #06 Ss | 4 |
| | 20 | 1023573 | (00000000-10443635) Strap, Retaining, Skirt (OBS REPLACED BY 1053609) | 1 |
| | 21 | 1014328 | (00000000-) Key, Sq, 05mm X 05mm, 25l | 2 |
| | 22 | 12273 | (00000000-) Screw, Hex, M8 X 1.25 X 20, Ss, NI | 2 |
| | 23 | 1016331 | (00000000-) Washer, Flat, 0.34b 1.25d .11, Ss | 2 |
| | 24 | 1022550 | (00000000-) Hub, Drive, Brush, Disk, 17mm Bore | 2 |

▽ ASSEMBLY

▲ INCLUDED IN ASSEMBLY

SCRUB HEAD GROUP, DISK 24 in / 600 mm - CONT'D



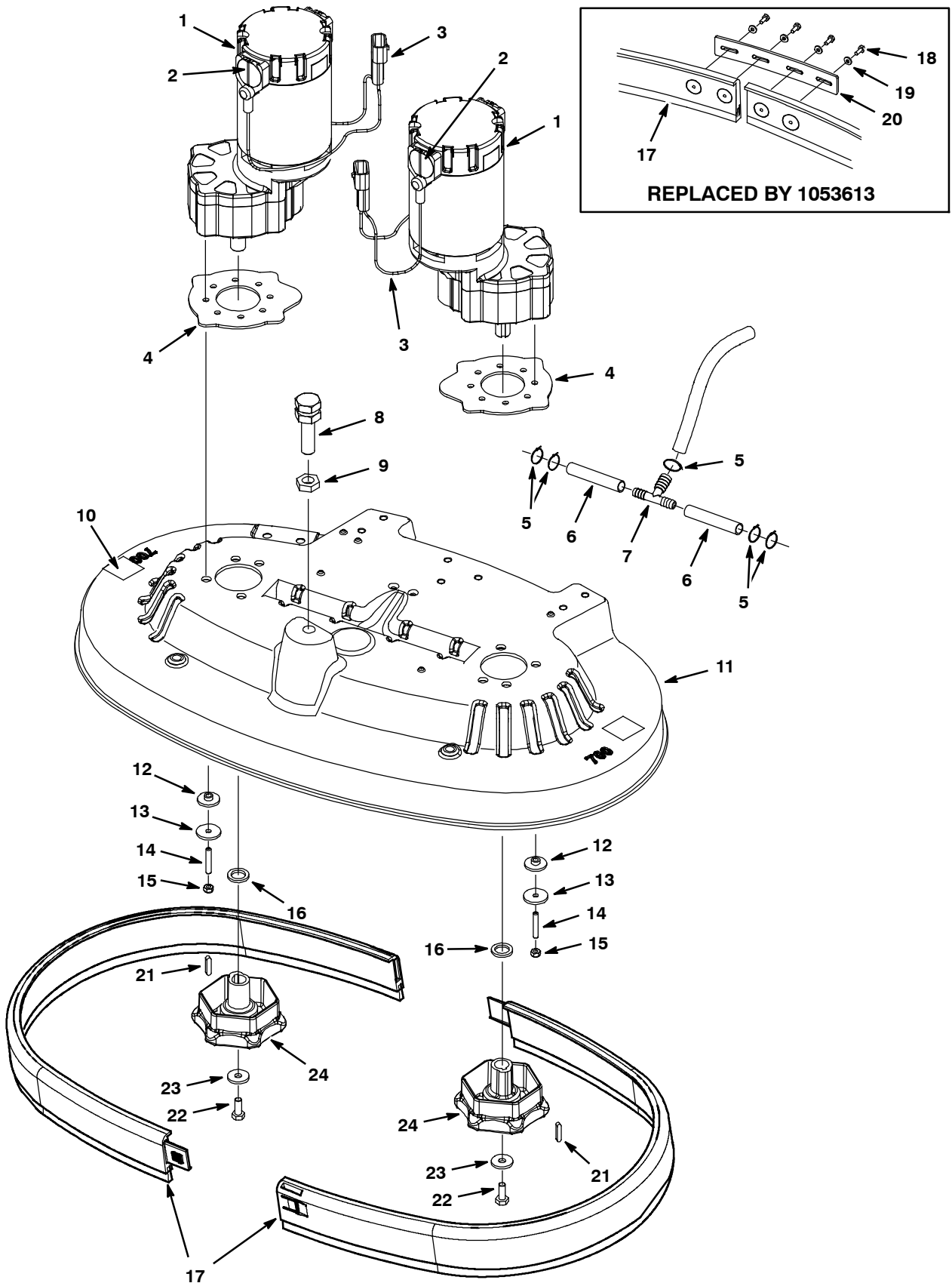
SCRUB HEAD GROUP, DISK 24 in / 600 mm - CONT'D

| Ref. | Part No. | Serial Number | Description | Qty. | |
|------|----------|--------------------|---|---------------------------------------|---|
| 1 | 09023 | (00000000- |) Screw, Hex, M8 X 1.25 X 35, Ss, Fl | 1 | |
| 2 | 140027 | (00000000- |) Washer, Flat, 0.35b 0.75d .04, Ss | 10 | |
| 3 | 1010560 | (00000000- |) Wheel, Bmpr, 80d X 25w, Non-Marking | 1 | |
| 4 | 222460 | (00000000- |) Sleeve, P/M, 0.496d 0.318b 0.50l 430ss | 1 | |
| 5 | 08713 | (00000000- |) Nut, Hex, Lock, M8 X 1.25, Ni, Ss | 10 | |
| 6 | 1022344 | (00000000- |) Bracket, Roller, Wall, Scrubhead, 60cm | 1 | |
| 7 | 79246 | (00000000- |) Screw, Flt, M8 X 1.25 X 20, Ss 18-8 | 2 | |
| 8 | 02942 | (00000000- |) Pin, Hair Cotter, 0.62 D .120 Wir | 2 | |
| 9 | 222210 | (00000000- |) Pin, Clevis, 0.62 D X 2.12l | 2 | |
| 10 | 09011 | (00000000- |) Screw, Hex, M8 X 1.25 X 30, Ss | 7 | |
| 11 | 1022227 | (00000000- |) Bracket, Link, Scrubhead | 2 | |
| 12 | 1024179 | (00000000- |) Knob, Knurled, M10 Thread | 2 | |
| 13 | 626081 | (00000000- |) Spring, Cmpr, 12.1d, 0.9w, 90.0l | 2 | |
| 14 | 09746 | (00000000- |) Screw, Hex, M10 X 1.5 X 90, Ss | 2 | |
| 15 | N/A | (00000000-10325113 |) (Replaced By Items #16, 17, & 18) | 1 | |
| 16 | 1036022 | (10325114- |) Bracket, Mtg, Actuator, Scb Head | 1 | |
| 17 | 01685 | (10325114- |) Washer, Flat, 0.31 Ss | 1 | |
| 18 | 08713 | (10325114- |) Nut, Hex, Lock, M8 X 1.25, Ni, Ss | 1 | |
| 19 | 01685 | (00000000- |) Washer, Flat, 0.31 Ss | 1 | |
| 20 | 364441 | (00000000- |) Screw, Hex, M8 X 1.25 X 110, Ss | 1 | |
| 21 | 43952 | (00000000- |) Washer, Lock, Int, 0.31, Ss | 1 | |
| 22 | 1031370 | (00000000- |) Wire, 12 Awg X 250mm | 1 | |
| 23 | 608322 | (00000000- |) Screw, Trs, M6 X 1.0 X 16, Phl, Ss | 2 | |
| 24 | 1034731 | (00000000- |) Screw, Hex, M6 X 1.00 X 16, Ss, Sems | 2 | |
| 25 | 1034921 | (00000000- |) Label, Logo, White/Black, 4.00l [Fast] (NLA - No Longer Available) | 1 | |
| ▽ | 26 | 9003252 | (00000000- |) Cover Kit, Head, Disc, Replmt [Ss5] | 1 |
| ▲ | 27 | 1027068 | (00000000- |) Insulation, Sound, Front | 1 |

▽ ASSEMBLY

▲ INCLUDED IN ASSEMBLY

SCRUB HEAD GROUP, DISK 28 in / 700 mm



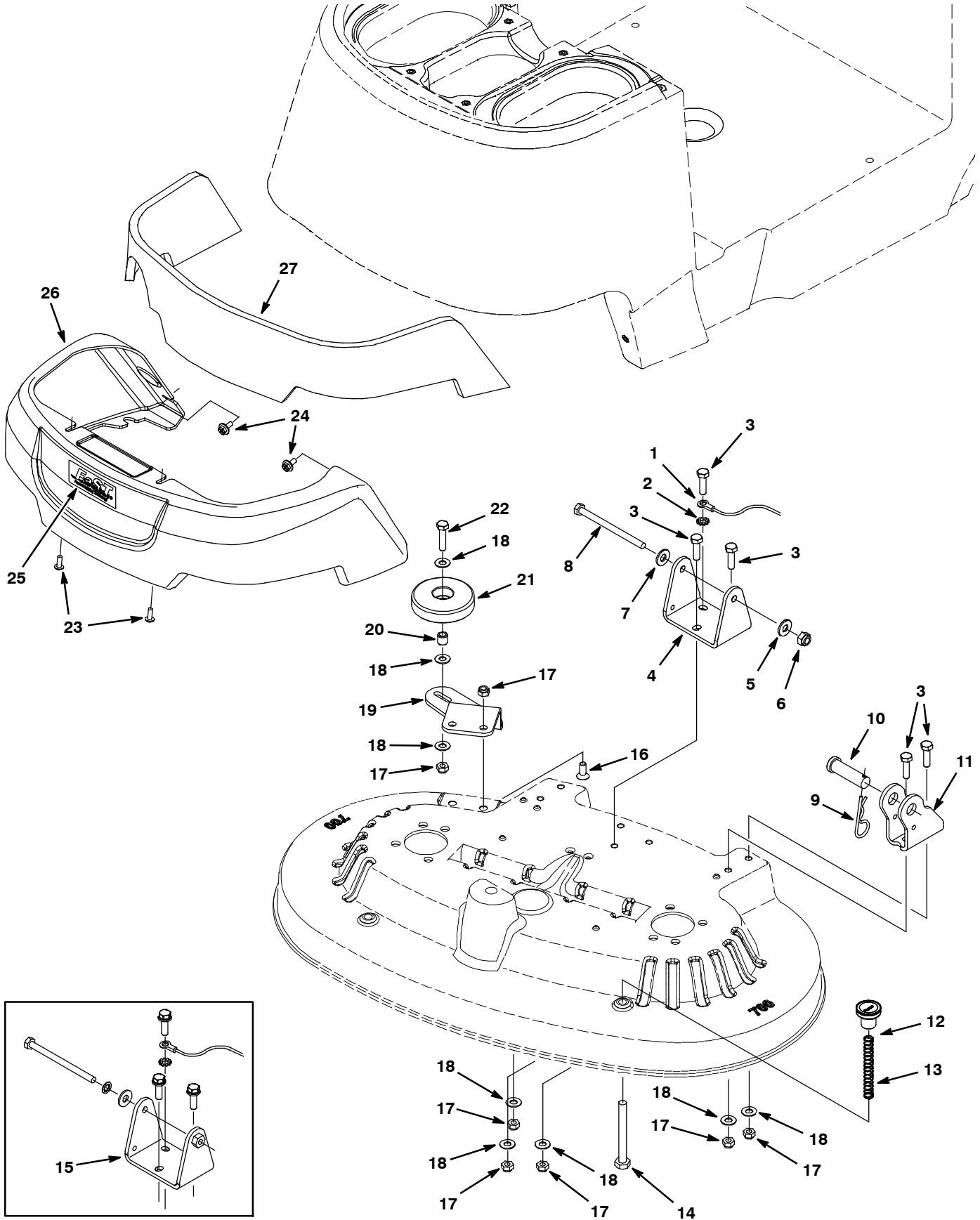
SCRUB HEAD GROUP, DISK 28 in / 700 mm

| Ref. | Part No. | Serial Number | Description | Qty. |
|------|----------|---------------|--|------|
| ▽ | 1 | 1023067 | (00000000-) Motor, Gearbox,24vdc, 220rpm, 0.75hp | 2 |
| ▲ | 2 | 1031775 | (00000000-) Brush, Brush-Motor, Afmkt | 1 |
| ▲ | 3 | 1031681 | (00000000-) Harness, Connector, Brush-Motor-Us | 1 |
| | 4 | 1024321 | (00000000-) Spacer, Rbr, Motor | 2 |
| | 5 | 130773 | (00000000-) Tie, Cable, Nyl, 11.0l, .14w, 3.0 Max. D | 7 |
| | 6 | 606362 | (00000000-) Hose 3/8IdX5/8OdX6.5 (611254) | 2 |
| | 7 | 1022556 | (00000000-) Fitting, Plstc, Tee, Bm06/Bm06/Bm08 | 1 |
| | 8 | 1022424 | (00000000-) Stud, Adj, M16, Scrub Head | 1 |
| | 9 | 763066 | (00000000-) Nut, Hex, Jam, M16 X 2.0 | 1 |
| | 10 | 578769 | (00000000-) Label, Moving Parts | 2 |
| | 11 | 1023182 | (00000000-) Housing, Casting, Head, 70cm, Mach | 1 |
| | 12 | 1025160 | (00000000-) Grommet, Isolator, 6b X 10od X 26.0fl | 8 |
| | 13 | 386063 | (00000000-) Washer, Flat, 0.25b 1.12d .12, Ss | 8 |
| | 14 | 1025853 | (00000000-) Screw, Set, M6 X 1.00 X 35, Ss, NI | 8 |
| | 15 | 08712 | (00000000-) Nut, Hex, Lock, M6 X 1.0, Ss, NI | 8 |
| | 16 | 1022549 | (00000000-) Spacer, Shaft, 17.15b, 25.0d, 3.0t | 2 |
| | 17 | 1053613 | (10446232-) Bumper, Head, 70cm, Bristle Skirt | 1 |
| | 17 | 1023802 | (00000000-10446231) Bumper Assy, Skirt, Scrub Head, 70cm (OBS REPLACED BY 1053613) | 1 |
| | 18 | 1020234 | (00000000-10446231) Screw, Hex, M4 X 0.7 X 10, Ss | 4 |
| | 19 | 41578 | (00000000-10446231) Washer, Flat, #06 Ss | 4 |
| | 20 | 1023573 | (00000000-10446231) Strap, Retaining, Skirt (OBS REPLACED BY 1053613) | 1 |
| | 21 | 1014328 | (00000000-) Key, Sq, 05mm X 05mm, 25l | 2 |
| | 22 | 12273 | (00000000-) Screw, Hex, M8 X 1.25 X 20, Ss, NI | 2 |
| | 23 | 1016331 | (00000000-) Washer, Flat, 0.34b 1.25d .11, Ss | 2 |
| | 24 | 1022550 | (00000000-) Hub, Drive, Brush, Disk, 17mm Bore | 2 |

▽ ASSEMBLY

▲ INCLUDED IN ASSEMBLY

SCRUB HEAD GROUP, DISK 28 in / 700 mm - CONT'D



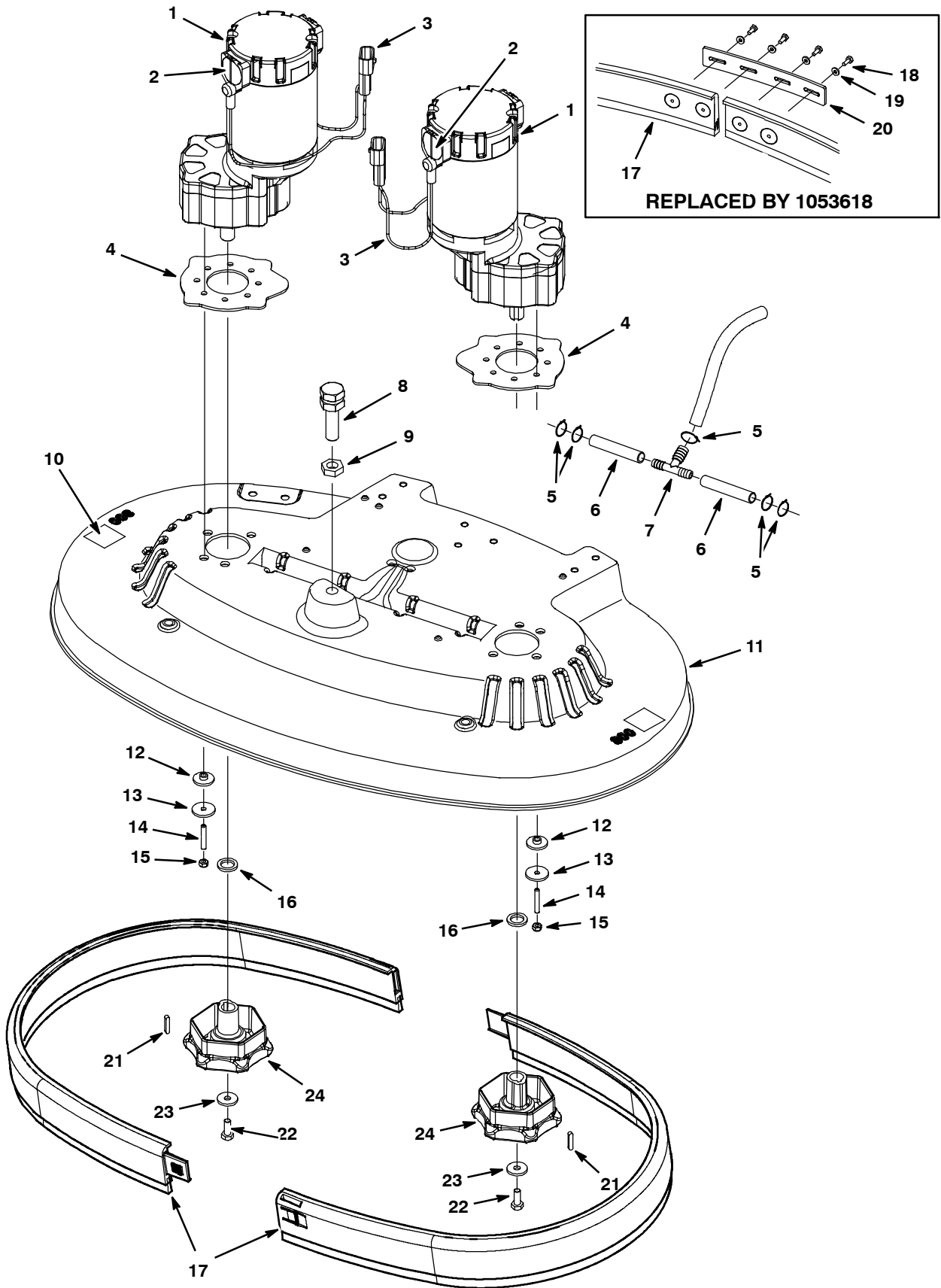
SCRUB HEAD GROUP, DISK 28 in / 700 mm - CONT'D

| Ref. | Part No. | Serial Number | Description | Qty. | |
|------|----------|--------------------|---|---------------------------------------|---|
| 1 | 1031370 | (00000000- |) Wire, 12 Awg X 250mm | 1 | |
| 2 | 43952 | (00000000- |) Washer, Lock, Int, 0.31, Ss | 1 | |
| 3 | 09011 | (00000000- |) Screw, Hex, M8 X 1.25 X 30, Ss | 7 | |
| 4 | 1036022 | (10325114- |) Bracket, Mtg, Actuator, Scb Head | 1 | |
| 5 | 01685 | (10325114- |) Washer, Flat, 0.31 Ss | 1 | |
| 6 | 08713 | (10325114- |) Nut, Hex, Lock, M8 X 1.25, NI, Ss | 1 | |
| 7 | 01685 | (00000000- |) Washer, Flat, 0.31 Ss | 1 | |
| 8 | 364441 | (00000000- |) Screw, Hex, M8 X 1.25 X 110, Ss | 1 | |
| 9 | 02942 | (00000000- |) Pin, Hair Cotter, 0.62 D .120 Wir | 2 | |
| 10 | 222210 | (00000000- |) Pin, Clevis, 0.62 D X 2.12l | 2 | |
| 11 | 1022227 | (00000000- |) Bracket, Link, Scrubhead | 2 | |
| 12 | 1024179 | (00000000- |) Knob, Knurled, M10 Thread | 2 | |
| 13 | 626081 | (00000000- |) Spring, Cmpr, 12.1d, 0.9w, 90.0l | 2 | |
| 14 | 09746 | (00000000- |) Screw, Hex, M10 X 1.5 X 90, Ss | 2 | |
| 15 | N/A | (00000000-10325113 |) (Replaced By Items #4, 5, & 6) | 1 | |
| 16 | 79246 | (00000000- |) Screw, Flt, M8 X 1.25 X 20, Ss 18-8 | 2 | |
| 17 | 08713 | (00000000- |) Nut, Hex, Lock, M8 X 1.25, NI, Ss | 10 | |
| 18 | 140027 | (00000000- |) Washer, Flat, 0.35b 0.75d .04, Ss | 10 | |
| 19 | 1023268 | (00000000- |) Bracket, Roller, Wall, Scb Head, 70cm | 1 | |
| 20 | 222460 | (00000000- |) Sleeve, P/M, 0.496d 0.318b 0.50l 430ss | 1 | |
| 21 | 1010560 | (00000000- |) Wheel, Bmpr, 80d X 25w, Non-Marking | 1 | |
| 22 | 09023 | (00000000- |) Screw, Hex, M8 X 1.25 X 35, Ss, Fl | 1 | |
| 23 | 608322 | (00000000- |) Screw, Trs, M6 X 1.0 X 16, Phl, Ss | 2 | |
| 24 | 1034731 | (00000000- |) Screw, Hex, M6 X 1.00 X 16, Ss, Sems | 2 | |
| 25 | 1034921 | (00000000- |) Label, Logo, White/Black, 4.00l [Fast] (NLA - No Longer Available) | 1 | |
| ▽ | 26 | 9003252 | (00000000- |) Cover Kit, Head, Disc, Replmt [Ss5] | 1 |
| ▲ | 27 | 1027068 | (00000000- |) Insulation, Sound, Front | 1 |

▽ ASSEMBLY

▲ INCLUDED IN ASSEMBLY

SCRUB HEAD GROUP, DISK 32 in / 800 mm



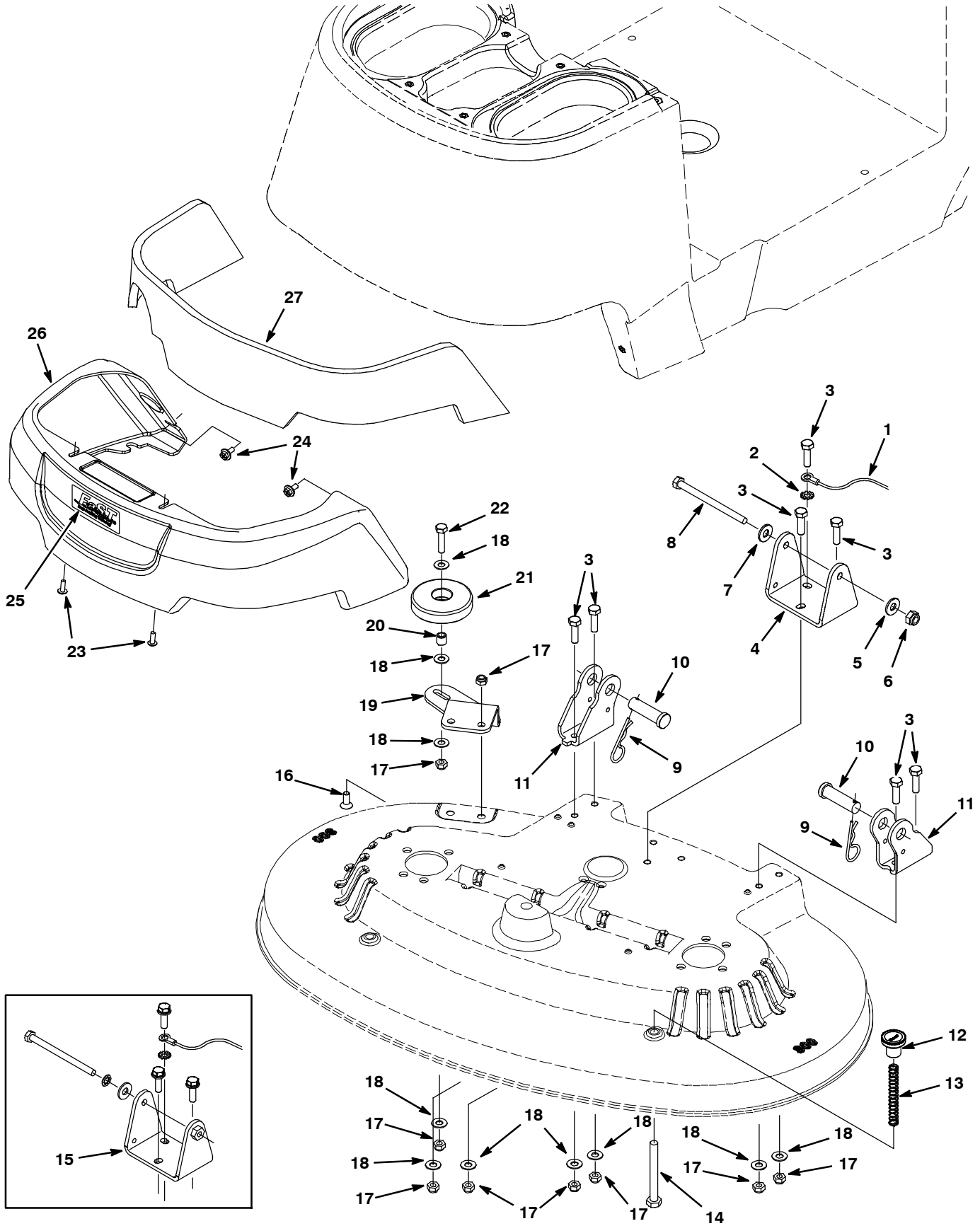
SCRUB HEAD GROUP, DISK 32 in / 800 mm

| Ref. | Part No. | Serial Number | Description | Qty. |
|------|----------|---------------|---|------|
| ▽ | 1 | 1023067 | (00000000-) Motor, Gearbox,24vdc, 220rpm, 0.75hp | 2 |
| ▲ | 2 | 1031775 | (00000000-) Brush, Brush-Motor, Afmkt | 1 |
| ▲ | 3 | 1031681 | (00000000-) Harness, Connector, Brush-Motor-Us | 1 |
| | 4 | 1024321 | (00000000-) Spacer, Rbr, Motor | 2 |
| | 5 | 130773 | (00000000-) Tie, Cable, Nyl, 11.0l, .14w, 3.0 Max. D | 7 |
| | 6 | 606885 | (00000000-) Hose 3/8idx5/8odx7.75 (611254) | 2 |
| | 7 | 1022556 | (00000000-) Fitting, Plstc, Tee, Bm06/Bm06/Bm08 | 1 |
| | 8 | 1022424 | (00000000-) Stud, Adj, M16, Scrub Head | 1 |
| | 9 | 763066 | (00000000-) Nut, Hex, Jam, M16 X 2.0 | 1 |
| | 10 | 578769 | (00000000-) Label, Moving Parts | 2 |
| | 11 | 1023697 | (00000000-) Housing, Casting, Head, 80cm, Mach | 1 |
| | 12 | 1025160 | (00000000-) Grommet, Isolator, 6b X 10od X 26.0fl | 8 |
| | 13 | 386063 | (00000000-) Washer, Flat, 0.25b 1.12d .12, Ss | 8 |
| | 14 | 1025853 | (00000000-) Screw, Set, M6 X 1.00 X 35, Ss, NI | 8 |
| | 15 | 08712 | (00000000-) Nut, Hex, Lock, M6 X 1.0, Ss, NI | 8 |
| | 16 | 1022549 | (00000000-) Spacer, Shaft, 17.15b, 25.0d, 3.0t | 2 |
| | 17 | 1053618 | (10423043-) Bumper, Head, 80cm, Bristle Skirt | 1 |
| | 17 | 1024941 | (00000000-10423042) Bumper Assy, Skirt, Scrub Head, 80cm (OBS REPLACED BY1053618) | 1 |
| | 18 | 1020234 | (00000000-10423042) Screw, Hex, M4 X 0.7 X 10, Ss | 4 |
| | 19 | 41578 | (00000000-10423042) Washer, Flat, #06 Ss | 4 |
| | 20 | 1023573 | (00000000-10423042) Strap, Retaining, Skirt (OBS REPLACED BY1053618) | 1 |
| | 21 | 1014328 | (00000000-) Key, Sq, 05mm X 05mm, 25l | 2 |
| | 22 | 12273 | (00000000-) Screw, Hex, M8 X 1.25 X 20, Ss, NI | 2 |
| | 23 | 1016331 | (00000000-) Washer, Flat, 0.34b 1.25d .11, Ss | 2 |
| | 24 | 1022550 | (00000000-) Hub, Drive, Brush, Disk, 17mm Bore | 2 |

▽ ASSEMBLY

▲ INCLUDED IN ASSEMBLY

SCRUB HEAD GROUP, DISK 32 in / 800 mm - CONT'D



SCRUB HEAD GROUP, DISK 32 in / 800 mm - CONT'D

| Ref. | Part No. | Serial Number | Description | Qty. | |
|------|----------|--------------------|---|---------------------------------------|---|
| 1 | 1031370 | (00000000- |) Wire, 12 Awg X 250mm | 1 | |
| 2 | 43952 | (00000000- |) Washer, Lock, Int, 0.31, Ss | 1 | |
| 3 | 09011 | (00000000- |) Screw, Hex, M8 X 1.25 X 30, Ss | 7 | |
| 4 | 1036022 | (10325114- |) Bracket, Mtg, Actuator, Scb Head | 1 | |
| 5 | 01685 | (10325114- |) Washer, Flat, 0.38b 0.88d .08, Ss | 1 | |
| 6 | 08713 | (10325114- |) Nut, Hex, Lock, M8 X 1.25, NI, Ss | 1 | |
| 7 | 01685 | (00000000- |) Washer, Flat, 0.31 Ss | 1 | |
| 8 | 364441 | (00000000- |) Screw, Hex, M8 X 1.25 X 110, Ss | 1 | |
| 9 | 02942 | (00000000- |) Pin, Hair Cotter, 0.62 D .120 Wir | 2 | |
| 10 | 222210 | (00000000- |) Pin, Clevis, 0.62 D X 2.12l | 2 | |
| 11 | 1022227 | (00000000- |) Bracket, Link, Scrubhead | 2 | |
| 12 | 1024179 | (00000000- |) Knob, Knurled, M10 Thread | 2 | |
| 13 | 626081 | (00000000- |) Spring, Cmpr, 12.1d, 0.9w, 90.0l | 2 | |
| 14 | 09746 | (00000000- |) Screw, Hex, M10 X 1.5 X 90, Ss | 2 | |
| 15 | N/A | (00000000-10325113 |) (Replaced By Items #4, 5, & 6) | 1 | |
| 16 | 79246 | (00000000- |) Screw, Flt, M8 X 1.25 X 20, Ss 18-8 | 2 | |
| 17 | 08713 | (00000000- |) Nut, Hex, Lock, M8 X 1.25, NI, Ss | 10 | |
| 18 | 140027 | (00000000- |) Washer, Flat, 0.35b 0.75d .04, Ss | 10 | |
| 19 | 1023268 | (00000000- |) Bracket, Roller, Wall, Scb Head, 70cm | 1 | |
| 20 | 222460 | (00000000- |) Sleeve, P/M, 0.496d 0.318b 0.50l 430ss | 1 | |
| 21 | 1010560 | (00000000- |) Wheel, Bmpr, 80d X 25w, Non-Marking | 1 | |
| 22 | 09023 | (00000000- |) Screw, Hex, M8 X 1.25 X 35, Ss, Fl | 1 | |
| 23 | 608322 | (00000000- |) Screw, Trs, M6 X 1.0 X 16, Phl, Ss | 2 | |
| 24 | 1034731 | (00000000- |) Screw, Hex, M6 X 1.00 X 16, Ss, Sems | 2 | |
| 25 | 1034921 | (00000000- |) Label, Logo, White/Black, 4.00l [Fast] (NLA - No Longer Available) | 1 | |
| ▽ | 26 | 9003252 | (00000000- |) Cover Kit, Head, Disc, Replmt [Ss5] | 1 |
| ▲ | 27 | 1027068 | (00000000- |) Insulation, Sound, Front | 1 |

▽ ASSEMBLY

▲ INCLUDED IN ASSEMBLY

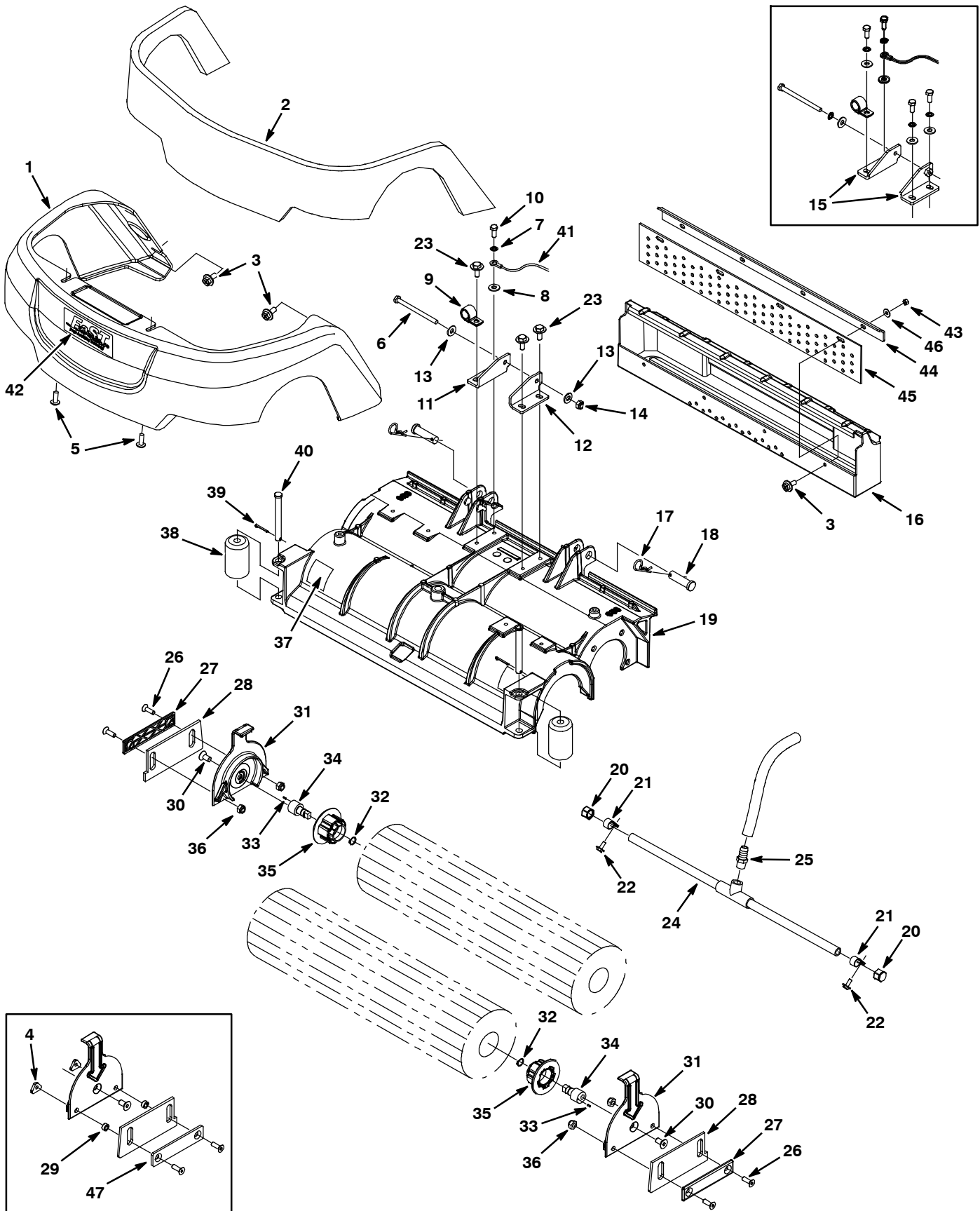
SCRUB HEAD GROUP, CYLINDRICAL 26 in / 650 mm

| Ref. | Part No. | Serial Number | Description | Qty. | |
|------|----------|--------------------|---|---|---|
| 1 | 222692 | (00000000- |) Screw, Flt, M8 X1.25 X 25, Ss, 18-8, NI | 4 | |
| 2 | 1036245 | (10353861- |) Retainer, Blade, Sqge, Side, Blk, Nyl | 2 | |
| 3 | 1026292 | (00000000- |) Skirt, Side, Scb, Cyl | 2 | |
| 4 | 1027221 | (00000000-10353860 |) Bushing, .325id .235h (Replaced by 1036245) | 4 | |
| 5 | 1034731 | (00000000- |) Screw, Hex, M6 X 1.00 X 16, Sems, Ss | 8 | |
| 6 | 01684 | (00000000- |) Washer, Flat, 0.25 Ss | 4 | |
| 7 | 1022807 | (00000000- |) Cover, Belt | 2 | |
| 8 | 1035888 | (10338658- |) Belt, Drive, 6Grv, 508l X 14w, [6Pj] | 2 | |
| 9 | 1020341 | (00000000- |) Screw, Hex, M8 X 1.25 X 20, Sems, Ss | 16 | |
| 10 | 01685 | (00000000- |) Washer, Flat, 0.31 Ss | 4 | |
| 11 | 1035173 | (10338658- |) Sheave, 06Grv, 2.96pd, 0.59b, Alm [Pj] | 2 | |
| 12 | 00961 | (00000000- |) Key, Sq, 0.19 X 0.19, 0.50l | 2 | |
| 13 | 1033528 | (10338658- |) Sheave, 06Grv, 1.33pd, 0.50b, Alm [Pj] | 2 | |
| 14 | 222818 | (00000000- |) Screw, Set, #08-32 X 0.25, NI | 4 | |
| 15 | 1022401 | (00000000- |) Gasket, Cover, Belt | 2 | |
| 16 | 41360 | (00000000- |) Bearing, Ball, 0.59b 1.26d 0.35w [2seal] | 4 | |
| 17 | 1002077 | (00000000- |) Spacer, 0.59b 0.81d 0.50l | 2 | |
| 18 | 1021036 | (00000000- |) Bracket, Motor, Machined | 2 | |
| 19 | 00911 | (00000000- |) Key, Sq, 0.19 X 0.19, 0.75l | 2 | |
| 20 | 1021050 | (00000000- |) Shaft, Drive | 2 | |
| 21 | 378805 | (00000000- |) Plug, Drive, Brush, Mach | 2 | |
| 22 | 1029358 | (00000000- |) Deflector, Water, Cyl Head | 1 | |
| ▽ | 23 | 1042228 | (10419662- |) Motor, Ele, 24vdc 1500rpm 0.75hp 23.0a | 2 |
| ▲ | | 1049739 | (10419662- |) Brush Kit, Carbon, Motor, Replmt [4pcs] | 2 |
| ▽ | 23 | 1050369 | (00000000-10419661 |) Motor Kit, Cylrcl, Replmt, F/604980 [T5] | 2 |
| ▲ | | 190152 | (00000000-10419661 |) Brush, Carbon [Pk=4] | 2 |
| ▲ | | 605305 | (00000000-10419661 |) Spring, Motor, F/ Carbon Brush | 8 |
| | 24 | 606795 | (00000000-10419661 |) Harness Motor Cyl-Brush | 2 |
| | 25 | 140027 | (00000000-10419661 |) Washer, Flat, 0.35b 0.75d .04, Ss | 4 |
| | 26 | 43952 | (00000000-10419661 |) Washer, Lock, Int, 0.31 Ss | 6 |
| | 27 | 608964 | (00000000-10419661 |) Boot, 90deg .27id 0.64id 1.79l, Blk | 4 |
| | 28 | 08713 | (10353861- |) Nut, Hex, Lock, M8 X 1.25, NI, Ss | 2 |
| | 29 | 1025026 | (00000000- |) Screw, Hex, M8 X 1.25 X 180, Ss | 2 |
| | 30 | 1044386 | (00000000- |) Bracket, Mounting, Motor | 2 |
| | 31 | 1022424 | (00000000- |) Stud, Adj, M16, Scrub Head | 1 |
| | 32 | 763066 | (00000000- |) Nut, Hex, Jam, M16 X 2.0 | 1 |
| | 33 | 578717 | (00000000- |) Screw, Hex, M8 X 1.25 X 50, Ss | 2 |
| | 34 | 07786 | (00000000- |) Nut, Hex, Std, M8 X 1.25, Ss | 2 |
| | 35 | 1022624 | (00000000- |) Housing, Head, 65cm Cyl, Mach | 1 |
| | 36 | 1024636 | (00000000-10338657 |) Sprocket, 48t, 5p V2 | 2 |
| | 37 | 375195 | (00000000-10338657 |) Sprocket, Timing, 22tooth, 0.50b, [Gt/2] | 2 |
| | 38 | 377500 | (00000000-10338657 |) Belt, Synchronous, 500l, 15mm [05p, Plychn] | 2 |
| | 39 | 1052895 | (10419662- |) Harness, Adapter, Motor [T7/T5] | 1 |
| | 40 | 1026398 | (00000000-10353860 |) Link, 0.18, 1.3w 05.7l, 2/0.4h, Cham (Replaced by 1036245) | 2 |

▽ ASSEMBLY

▲ INCLUDED IN ASSEMBLY

SCRUB HEAD GROUP, CYLINDRICAL 26 in / 650 mm - CONT'D



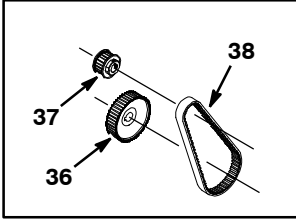
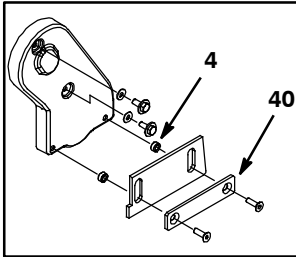
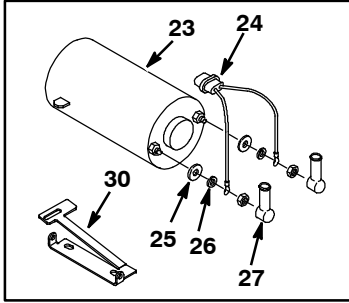
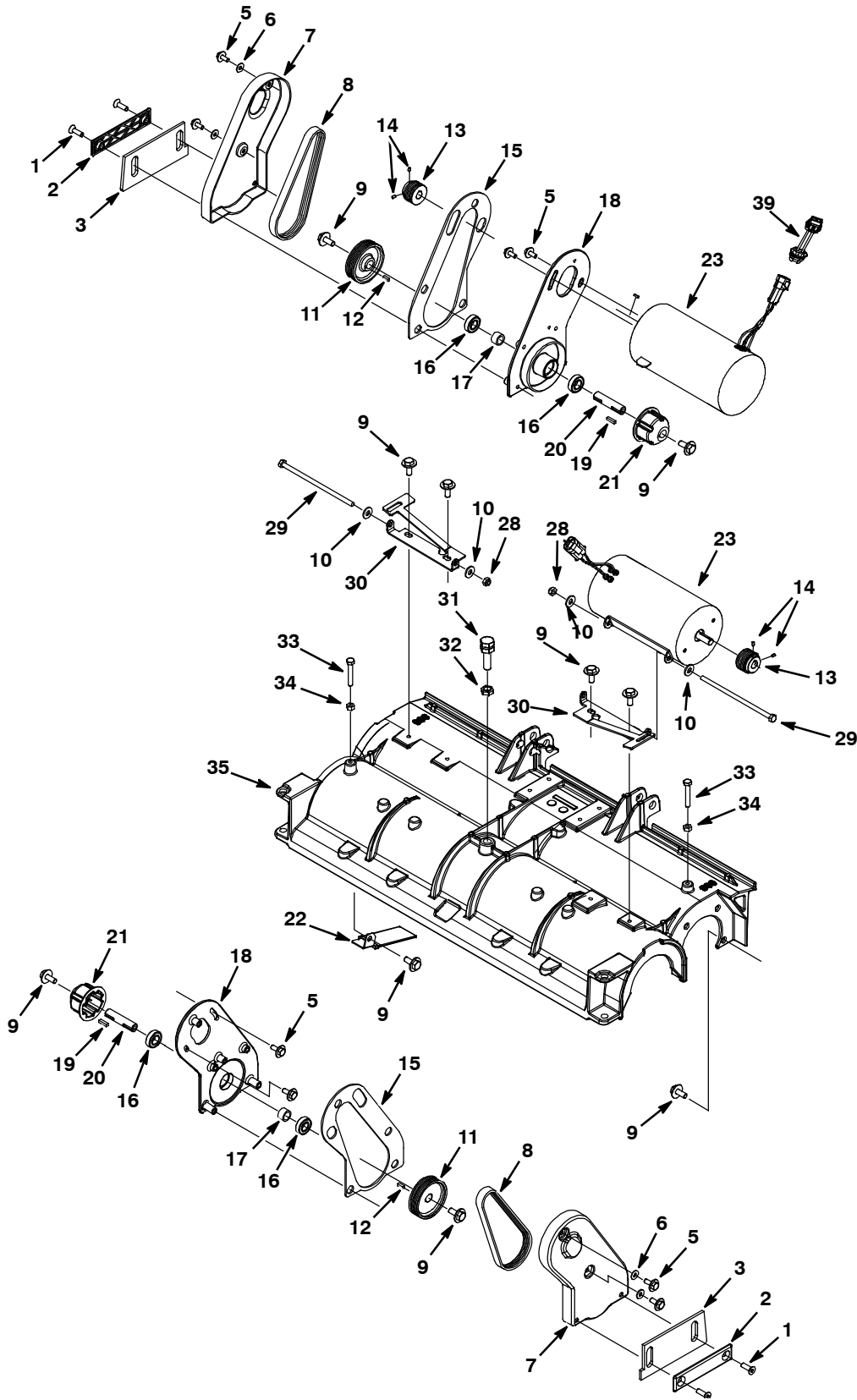
SCRUB HEAD GROUP, CYLINDRICAL 26 in / 650 mm - CONT'D

| Ref. | Part No. | Serial Number | Description | Qty. |
|------|----------|---------------|--|------|
| ▽ | 1 | 9003253 | (00000000-) Cover Kit, Head, Cyl, Replmt [Ss5] | 1 |
| ▲ | 2 | 1027069 | (00000000-) Insulation, Sound, Front, Cyl | 1 |
| | 3 | 1034731 | (00000000-) Screw, Hex, M6 X 1.00 X 16, Sems, Ss | 6 |
| | 4 | 607256 | (00000000-10353860) Nut, Retainer, Spcl, M8, Ss | 4 |
| | 5 | 608322 | (00000000-) Screw, Trs, M6 X 1.0 X 16, Phl, Ss | 2 |
| | 6 | 364441 | (00000000-) Screw, Hex, M8 X 1.25 X 110, Ss | 1 |
| | 7 | 43952 | (00000000-) Washer, Lock, Int, 0.31 Ss | 1 |
| | 8 | 01685 | (00000000-) Washer, Flat, 0.31 Ss | 1 |
| | 9 | 140314 | (00000000-) Clamp, Cable, Stl, 0.75d X 0.75w, 1h, Yl | 1 |
| | 10 | 12273 | (00000000-) Screw, Hex, M8 X 1.25 X 20, Ss, NI | 1 |
| | 11 | 1036032 | (10330480-) Bracket, Lift, Head, Rh | 1 |
| | 12 | 1036025 | (10330480-) Bracket, Lift, Head, Lh | 1 |
| | 13 | 01685 | (00000000-) Washer, Flat, 0.31 Ss | 1 |
| | 14 | 08713 | (10330480-) Nut, Hex, Lock, M8 X 1.25, NI, Ss | 1 |
| | 15 | N/A | (00000000-10330479) (Replaced By Items #11, 12, 13, & 14) | 1 |
| | 16 | 1023465 | (00000000-) Hopper, 65cm, Rm-Blk | 1 |
| | 17 | 02942 | (00000000-) Pin, Hair Cotter, 0.62 D .120 Wir | 2 |
| | 18 | 222210 | (00000000-) Pin, Clevis, 0.62 D X 2.12l | 2 |
| | 19 | 1022624 | (00000000-) Housing, Head, 65cm Cyl, Mach | 1 |
| | 20 | 1025580 | (00000000-) Cap, Plstc, Pf12 | 2 |
| | 21 | 33584 | (00000000-) Clamp, Cable, Stl, 0.63d X 0.50w, 1h | 2 |
| | 22 | 1034731 | (00000000-) Screw, Hex, M6 X 1.00 X 16, Sems, Ss | 2 |
| | 23 | 1020341 | (00000000-) Screw, Hex, M8 X 1.25 X 20, Sems, Ss | 3 |
| | 24 | 1046049 | (00000000-) Tube Assy, Bar, Spray | 1 |
| | 25 | 64743 | (00000000-) Fitting, Plstc, Str, Bm08/Pm06 | 1 |
| | 26 | 222692 | (00000000-) Screw, Flt, M8 X1.25 X 25, Ss, 18-8, NI | 4 |
| | 27 | 1036245 | (10353861-) Retainer, Blade, Sqge, Side, Blk, Nyl | 2 |
| | 28 | 1026292 | (00000000-) Skirt, Side, Scb, Cyl | 2 |
| | 29 | 1027221 | (00000000-10353860) Bushing, .325id .235h (Replaced by 1036245) | 4 |
| ▽ | | 1057922 | (00000000-) Door Assy, Cyl Head, [7100] | 2 |
| ▲ | 30 | 390996 | (00000000-) Screw, Flt, M10 X 1.5 X 20, 10.9, NI | 1 |
| ▲ | 31 | 1044145 | (00000000-) Door, Brush | 1 |
| ▲ | 32 | 01516 | (00000000-) Ring, Retaining, Ext, 0.59d, Basic | 1 |
| ▲ | 33 | 222184 | (00000000-) Pin, Roll, .094 D X 0.25l, .094/.097 | 1 |
| ▲ | 34 | 222177 | (00000000-) Shaft, Idler Plug | 1 |
| ▲ | 35 | 1057629 | (00000000-) Plug, Idler, Brush, [Sgl Brg] | 1 |
| | 36 | 08713 | (10353861-) Nut, Hex, Lock, M8 X 1.25, NI, Ss | 4 |
| | 37 | 578769 | (00000000-) Label, Moving Parts | 2 |
| | 38 | 222178 | (00000000-) Roller, Pyu, 1.88d 0.53b 3.05l | 2 |
| | 39 | 578421 | (00000000-) Pin, Cotter, .125d X 1.00l | 2 |
| | 40 | 222196 | (00000000-) Pin, Clevis, 0.50 D X 4.25l | 2 |
| | 41 | 1031370 | (00000000-) Wire, 12 Awg X 250mm | 1 |
| | 42 | 1034921 | (00000000-) Label, Logo, White/Black, 4.00l [Fast] (NLA - No Longer Available) | 1 |
| | 43 | 07785 | (00000000-) Nut, Hex, Std, M6 X 1.0, A2, Ss | 4 |
| | 44 | 1023536 | (00000000-) Lip, Tray, Debris, Scrubhead, 65cm | 1 |
| | 45 | 1025272 | (00000000-) Skirt, Tray, Debris, 65cm | 1 |
| | 46 | 01684 | (00000000-) Washer, Flat, 0.27b 0.69d .05, Ss | 4 |
| | 47 | 1026398 | (00000000-10353860) Link, 0.18, 1.3w 05.7l, 2/0.4h, Cham (Replaced by 1036245) | 2 |

▽ ASSEMBLY

▲ INCLUDED IN ASSEMBLY

SCRUB HEAD GROUP, CYLINDRICAL 32 in / 800 mm



SCRUB HEAD GROUP, CYLINDRICAL 32 in / 800 mm

| Ref. | Part No. | Serial Number | Description | Qty. | |
|------|----------|--------------------|---|---|---|
| 1 | 222692 | (00000000- |) Screw, Flt, M8 X1.25 X 25, Ss, 18-8, NI | 4 | |
| 2 | 1036245 | (10353861- |) Retainer, Blade, Sqge, Side, Blk, Nyl | 2 | |
| 3 | 1026292 | (00000000- |) Skirt, Side, Scb, Cyl | 2 | |
| 4 | 1027221 | (00000000-10353860 |) Bushing, .325id .235h (Replaced by 1036245) | 4 | |
| 5 | 1034731 | (00000000- |) Screw, Hex, M6 X 1.00 X 16, Sems, Ss | 8 | |
| 6 | 01684 | (00000000- |) Washer, Flat, 0.25 Ss | 4 | |
| 7 | 1022807 | (00000000- |) Cover, Belt | 2 | |
| 8 | 1035888 | (10338658- |) Belt, Drive, 6Grv, 508l X 14w, [6Pj] | 2 | |
| 9 | 1020341 | (00000000- |) Screw, Hex, M8 X 1.25 X 20, Sems, Ss | 16 | |
| 10 | 01685 | (00000000- |) Washer, Flat, 0.31 Ss | 4 | |
| 11 | 1035173 | (10338658- |) Sheave, 06Grv, 2.96pd, 0.59b, Alm [Pj] | 2 | |
| 12 | 00961 | (00000000- |) Key, Sq, 0.19 X 0.19, 0.50l | 2 | |
| 13 | 1033528 | (10338658- |) Sheave, 06Grv, 1.33pd, 0.50b, Alm [Pj] | 2 | |
| 14 | 222818 | (00000000- |) Screw, Set, #08-32 X 0.25, NI | 4 | |
| 15 | 1022401 | (00000000- |) Gasket, Cover, Belt | 2 | |
| 16 | 41360 | (00000000- |) Bearing, Ball, 0.59b 1.26d 0.35w [2seal] | 4 | |
| 17 | 1002077 | (00000000- |) Spacer, 0.59b 0.81d 0.50l | 2 | |
| 18 | 1021036 | (00000000- |) Bracket, Motor, Machined | 2 | |
| 19 | 00911 | (00000000- |) Key, Sq, 0.19 X 0.19, 0.75l | 2 | |
| 20 | 1021050 | (00000000- |) Shaft, Drive | 2 | |
| 21 | 378805 | (00000000- |) Plug, Drive, Brush, Mach | 2 | |
| 22 | 1029358 | (00000000- |) Deflector, Water, Cyl Head | 1 | |
| ▽ | 23 | 1042228 | (10419662- |) Motor, Ele, 24vdc 1500rpm 0.75hp 23.0a | 2 |
| ▲ | | 1049739 | (10419662- |) Brush Kit, Carbon, Motor, Replmt [4pcs] | 2 |
| ▽ | 23 | 1050369 | (00000000-10419661 |) Motor Kit, Cylrcl, Replmt, F/604980 [T5] | 2 |
| ▲ | | 190152 | (00000000-10419661 |) Brush, Carbon [Pk=4] | 2 |
| ▲ | | 605305 | (00000000-10419661 |) Spring, Motor, F/ Carbon Brush | 8 |
| | 24 | 606795 | (00000000-10419661 |) Harness Motor Cyl-Brush | 2 |
| | 25 | 140027 | (00000000-10419661 |) Washer, Flat, 0.35b 0.75d .04, Ss | 4 |
| | 26 | 43952 | (00000000-10419661 |) Washer, Lock, Int, 0.31 Ss | 6 |
| | 27 | 608964 | (00000000-10419661 |) Boot, 90deg .27id 0.64id 1.79l, Blk | 4 |
| | 28 | 08713 | (00000000- |) Nut, Hex, Lock, M8 X 1.25, NI, Ss | 2 |
| | 29 | 1025026 | (00000000- |) Screw, Hex, M8 X 1.25 X 180, Ss | 2 |
| | 30 | 1044386 | (00000000- |) Bracket, Mounting, Motor | 2 |
| | 31 | 1022424 | (00000000- |) Stud, Adj, M16, Scrub Head | 1 |
| | 32 | 763066 | (00000000- |) Nut, Hex, Jam, M16 X 2.0 | 1 |
| | 33 | 578717 | (00000000- |) Screw, Hex, M8 X 1.25 X 50, Ss | 2 |
| | 34 | 07786 | (00000000- |) Nut, Hex, Std, M8 X 1.25, Ss | 2 |
| | 35 | 1025039 | (00000000- |) Housing, Head, 80cm Cyl, Mach | 1 |
| | 36 | 1024636 | (00000000-10338657 |) Sprocket, 48t, 5p V2 | 2 |
| | 37 | 375195 | (00000000-10338657 |) Sprocket, Timing, 22tooth, 0.50b, [Gt/2] | 2 |
| | 38 | 377500 | (00000000-10338657 |) Belt, Synchronous, 500l, 15mm [05p, Plychn] | 2 |
| | 39 | 1052895 | (10409662- |) Harness, Adapter, Motor [T7/T5] | 1 |
| | 40 | 1026398 | (00000000-10353860 |) Link, 0.18, 1.3w 05.7l, 2/0.4h, Cham (Replaced by 1036245) | 2 |

▽ ASSEMBLY

▲ INCLUDED IN ASSEMBLY

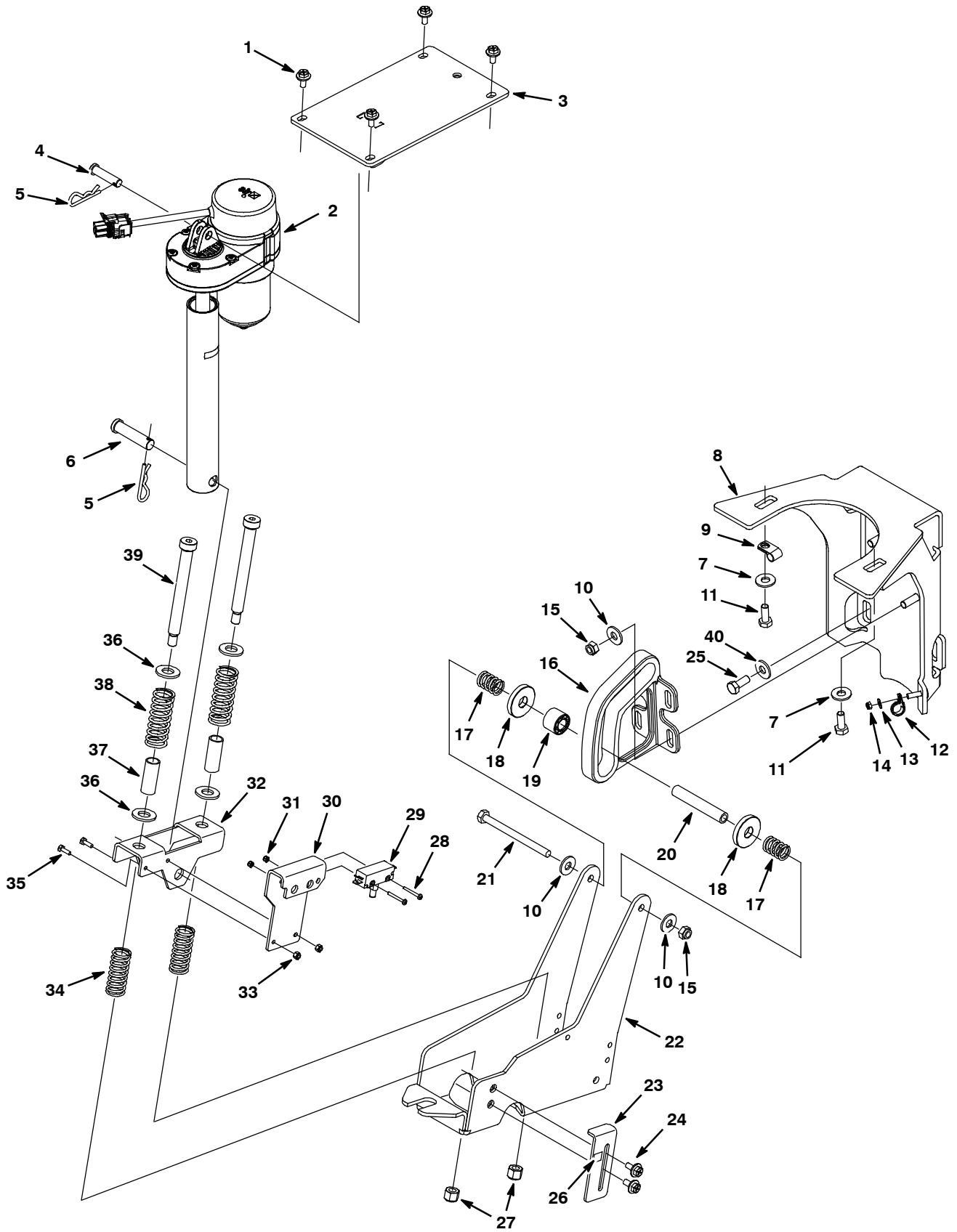
SCRUB HEAD GROUP, CYLINDRICAL 32 in / 800 mm - CONT'D

| Ref. | Part No. | Serial Number | Description | Qty. |
|------|----------|---------------|--|------|
| ▽ | 1 | 9003253 | (00000000-) Cover Kit, Head, Cyl, Replmt [Ss5] | 1 |
| ▲ | 2 | 1027069 | (00000000-) Insulation, Sound, Front, Cyl | 1 |
| | 3 | 1034731 | (00000000-) Screw, Hex, M6 X 1.00 X 16, Sems, Ss | 7 |
| | 4 | 607256 | (00000000-10353860) Nut, Retainer, Spcl, M8, Ss | 4 |
| | 5 | 608322 | (00000000-) Screw, Trs, M6 X 1.0 X 16, Phl, Ss | 2 |
| | 6 | 364441 | (00000000-) Screw, Hex, M8 X 1.25 X 110, Ss | 1 |
| | 7 | 43952 | (00000000-) Washer, Lock, Int, 0.31 Ss | 1 |
| | 8 | 01685 | (00000000-) Washer, Flat, 0.31 Ss | 1 |
| | 9 | 140314 | (00000000-) Clamp, Cable, Stl, 0.75d X 0.75w, 1h, Yl | 1 |
| | 10 | 12273 | (00000000-) Screw, Hex, M8 X 1.25 X 20, Ss, NI | 1 |
| | 11 | 1036032 | (10330480-) Bracket, Lift, Head, Rh | 1 |
| | 12 | 1036025 | (10330480-) Bracket, Lift, Head, Lh | 1 |
| | 13 | 01685 | (10330480-) Washer, Flat, 0.38b 0.88d .08, Ss | 1 |
| | 14 | 08713 | (10330480-) Nut, Hex, Lock, M8 X 1.25, NI, Ss | 1 |
| | 15 | N/A | (00000000-10330479) (Replaced By Items #11, 12, 13, & 14) | 1 |
| | 16 | 1025127 | (00000000-) Hopper, 80cm [Rm] | 1 |
| | 17 | 02942 | (00000000-) Pin, Hair Cotter, 0.62 D .120 Wir | 2 |
| | 18 | 222210 | (00000000-) Pin, Clevis, 0.62 D X 2.12l | 2 |
| | 19 | 1025039 | (00000000-) Housing, Head, 80cm Cyl, Mach | 1 |
| | 20 | 1025580 | (00000000-) Cap, Plstc, Pf12 | 2 |
| | 21 | 33584 | (00000000-) Clamp, Cable, Stl, 0.63d X 0.50w, 1h | 2 |
| | 22 | 1034731 | (00000000-) Screw, Hex, M6 X 1.00 X 16, Sems, Ss | 2 |
| | 23 | 1020341 | (00000000-) Screw, Hex, M8 X 1.25 X 20, Sems, Ss | 3 |
| | 24 | 1025276 | (00000000-) Tube Assy, Bar, Spray [85cm] | 1 |
| | 25 | 64743 | (00000000-) Fitting, Plstc, Str, Bm08/Pm06 | 1 |
| | 26 | 222692 | (00000000-) Screw, Flt, M8 X1.25 X 25, Ss, 18-8, NI | 4 |
| | 27 | 1036245 | (10353861-) Retainer, Blade, Sqge, Side, Blk, Nyl | 2 |
| | 28 | 1026292 | (00000000-) Skirt, Side, Scb, Cyl | 2 |
| | 29 | 1027221 | (00000000-10353860) Bushing, .325id .235h (Replaced by 1036245) | 4 |
| ▽ | | 1057922 | (00000000-) Door Assy, Cyl Head, [7100] | 2 |
| ▲ | 30 | 390996 | (00000000-) Screw, Flt, M10 X 1.5 X 20, 10.9, NI | 1 |
| ▲ | 31 | 1044145 | (00000000-) Door, Brush | 1 |
| ▲ | 32 | 01516 | (00000000-) Ring, Retaining, Ext, 0.59d, Basic | 1 |
| ▲ | 33 | 222184 | (00000000-) Pin, Roll, .094 D X 0.25l, .094/.097 | 1 |
| ▲ | 34 | 222177 | (00000000-) Shaft, Idler Plug | 1 |
| ▲ | 35 | 1057629 | (00000000-) Plug, Idler, Brush, [Sgl Brg] | 1 |
| | 36 | 08713 | (10353861-) Nut, Hex, Lock, M8 X 1.25, NI, Ss | 4 |
| | 37 | 578769 | (00000000-) Label, Moving Parts | 2 |
| | 38 | 222178 | (00000000-) Roller, Pyu, 1.88d 0.53b 3.05l | 2 |
| | 39 | 578421 | (00000000-) Pin, Cotter, .125d X 1.00l | 2 |
| | 40 | 222196 | (00000000-) Pin, Clevis, 0.50 D X 4.25l | 2 |
| | 41 | 1031370 | (00000000-) Wire, 12 Awg X 250mm | 1 |
| | 42 | 1034921 | (00000000-) Label, Logo, White/Black, 4.00l [Fast] (NLA - No Longer Available) | 1 |
| | 43 | 07785 | (00000000-) Nut, Hex, Std, M6 X 1.0, A2, Ss | 5 |
| | 44 | 1025150 | (00000000-) Lip, Tray, Debris, Scrubhead, 80cm | 1 |
| | 45 | 1025273 | (00000000-) Skirt, Tray, Debris, 80cm | 1 |
| | 46 | 01684 | (00000000-) Washer, Flat, 0.25 Ss | 5 |
| | 47 | 1026398 | (00000000-10353860) Link, 0.18, 1.3w 05.7l, 2/0.4h, Cham (Replaced by 1036245) | 2 |

▽ ASSEMBLY

▲ INCLUDED IN ASSEMBLY

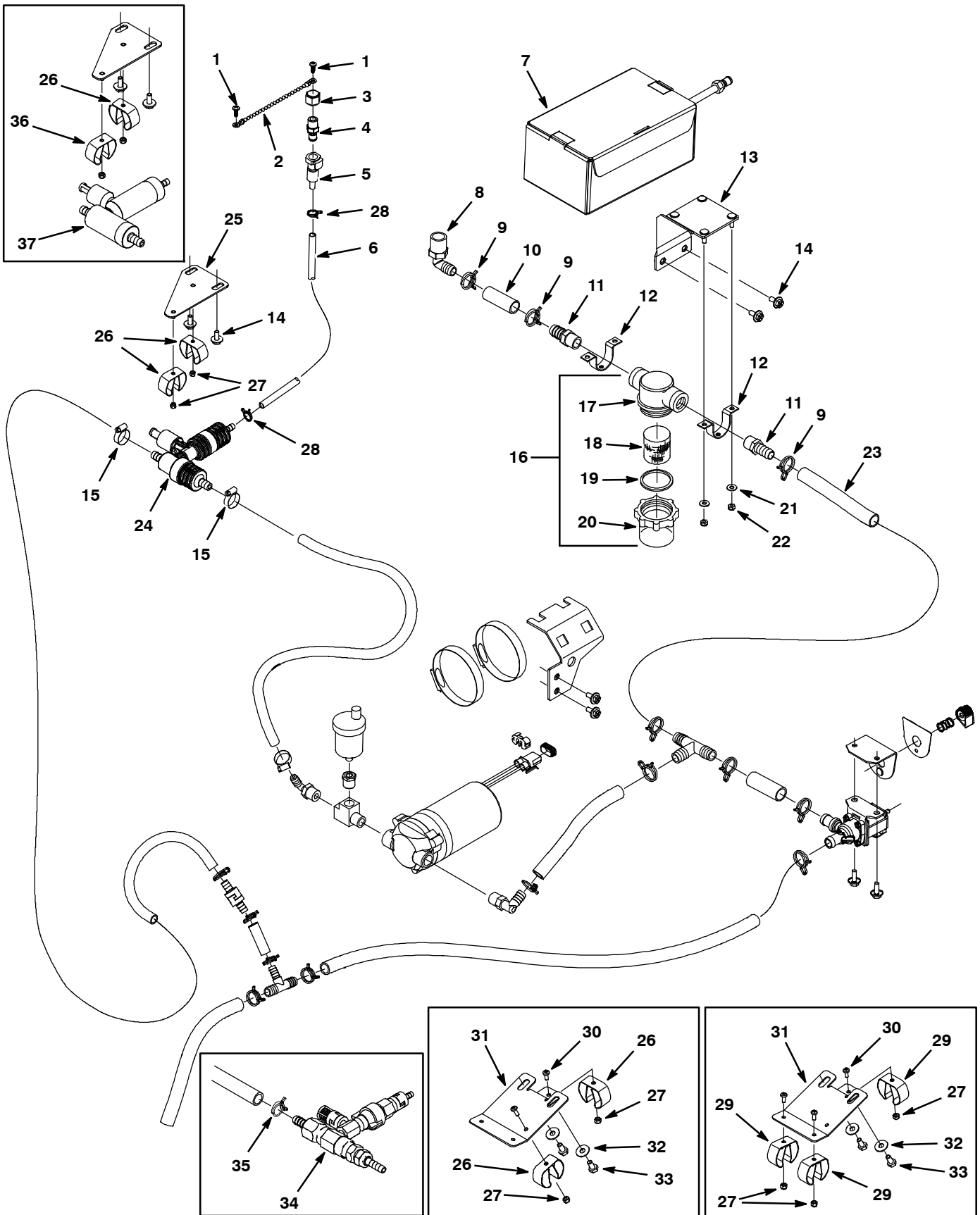
SCRUBHEAD LIFT GROUP



SCRUBHEAD LIFT GROUP

| Ref. | Part No. | Serial Number | Description | Qty. |
|------|----------|---------------|--|------|
| 1 | 1034731 | (00000000- |) Screw, Hex, M6 X 1.00 X 16, Ss, Sems | 4 |
| 2 | 1050452 | (00000000- |) Actuator, 24vdc, 6.0 Strk, 600 Lb | 1 |
| 3 | 1022913 | (00000000- |) Bracket Wldt, Actuator, Upper | 1 |
| 4 | 29558 | (00000000- |) Pin, Clevis, 0.37 D X 1.50l | 1 |
| 5 | 140626 | (00000000- |) Pin, Hair Cotter, 0.25 D .125 Wir | 2 |
| 6 | 51534 | (00000000- |) Pin, Clevis, 0.50 D X 2.00l | 1 |
| 7 | 69461 | (00000000- |) Washer, Flat, 0.38b 0.88d .12, Stl, Pl | 2 |
| 8 | 1049367 | (00000000- |) Bracket, Sppt, Guide, Rlr | 1 |
| 9 | 40678 | (00000000- |) Clamp, Cable, Stl, 0.44d X 0.62w, 1h | 1 |
| 10 | 01685 | (00000000- |) Washer, Flat, 0.31 Ss | 6 |
| 11 | 12273 | (00000000- |) Screw, Hex, M8 X 1.25 X 20, Ss, NI | 2 |
| 12 | 33584 | (00000000- |) Clamp, Cable, Stl, 0.63d X 0.50w, 1hole | 1 |
| 13 | 01683 | (00000000- |) Washer, Flat, #10 Ss | 1 |
| 14 | 09739 | (00000000- |) Nut, Hex, Lock, M5 X 0.8, NI, Ss | 1 |
| 15 | 08713 | (00000000- |) Nut, Hex, Lock, M8 X 1.25, NI, Ss | 5 |
| 16 | 1056775 | (00000000- |) Bracket, Guide, Rlr, Head Lift [T5, Ss5] | 1 |
| 17 | 607920 | (00000000- |) Spring, Cmpr, 18.3d, 2.4w, 25.4l Mw | 2 |
| 18 | 607568 | (00000000- |) Washer, P/M, 1.500d, 0.500b 0.25l Bnz | 2 |
| 19 | 1023658 | (00000000- |) Roller, Linkage, Head Lift | 1 |
| 20 | 1023653 | (00000000- |) Shaft, Rlr, Head-Lift | 1 |
| 21 | 386299 | (00000000- |) Screw, Hex, M8 X 1.25 X 100, Ss | 1 |
| 22 | 1024911 | (00000000- |) Bracket, Roller, Scrubhead, Sheet Metal | 1 |
| 23 | 1025002 | (00000000- |) Bracket, Switch, Shut-Off | 1 |
| 24 | 1034731 | (00000000- |) Screw, Hex, M6 X 1.00 X 16, Ss, Sems | 2 |
| 25 | 12333 | (00000000- |) Screw, Hex, M8 X 1.25 X 25, Ss, NI | 2 |
| 26 | 1031984 | (00000000- |) Label, Switch, Scrub Head | 1 |
| 27 | 59156 | (00000000- |) Nut, Hex, Lock, .38-16, NI, Ss | 2 |
| 28 | 06923 | (00000000- |) Screw, Pan, M3 X 0.50 X 25, 4.8 | 2 |
| 29 | 606292 | (00000000- |) Switch, Push, Actuator, 20a | 1 |
| 30 | 1025001 | (00000000- |) Bracket, Switch, Down Press | 1 |
| 31 | 579211 | (00000000- |) Nut, Hex, Lock, M3 X 0.50, Ss | 2 |
| 32 | 1023575 | (00000000- |) Bracket, Spring, Down Press | 1 |
| 33 | 33932 | (00000000- |) Nut, Hex, Lock, M4 X 0.70, NI, Ss | 2 |
| 34 | 63185 | (00000000- |) Spring, Cmpr, 0.85od .09wir 2.0l | 2 |
| 35 | 09206 | (00000000- |) Screw, Hex, M4 X 0.7 X 12, 8.8 | 2 |
| 36 | 32486 | (00000000- |) Washer, Flat, 0.50 Sae | 4 |
| 37 | 1024969 | (00000000- |) Sleeve, P/M, 0.629d 09.5 | 2 |
| 38 | 45261 | (00000000- |) Spring, Cmpr, 0.97od .11wir 2.5l | 2 |
| 39 | 45960 | (00000000- |) Bolt, Shld, .50d X 4.25, .38-16 | 2 |
| 40 | 1016331 | (00000000- |) Washer, Flat, 0.34b 1.25d .11, Ss | 2 |
| N/S | 130773 | (00000000- |) Tie, Cable, Nyl, 11.0l, .14w, 3.0 Max. D | 3 |

SOLUTION GROUP, FaST MODEL



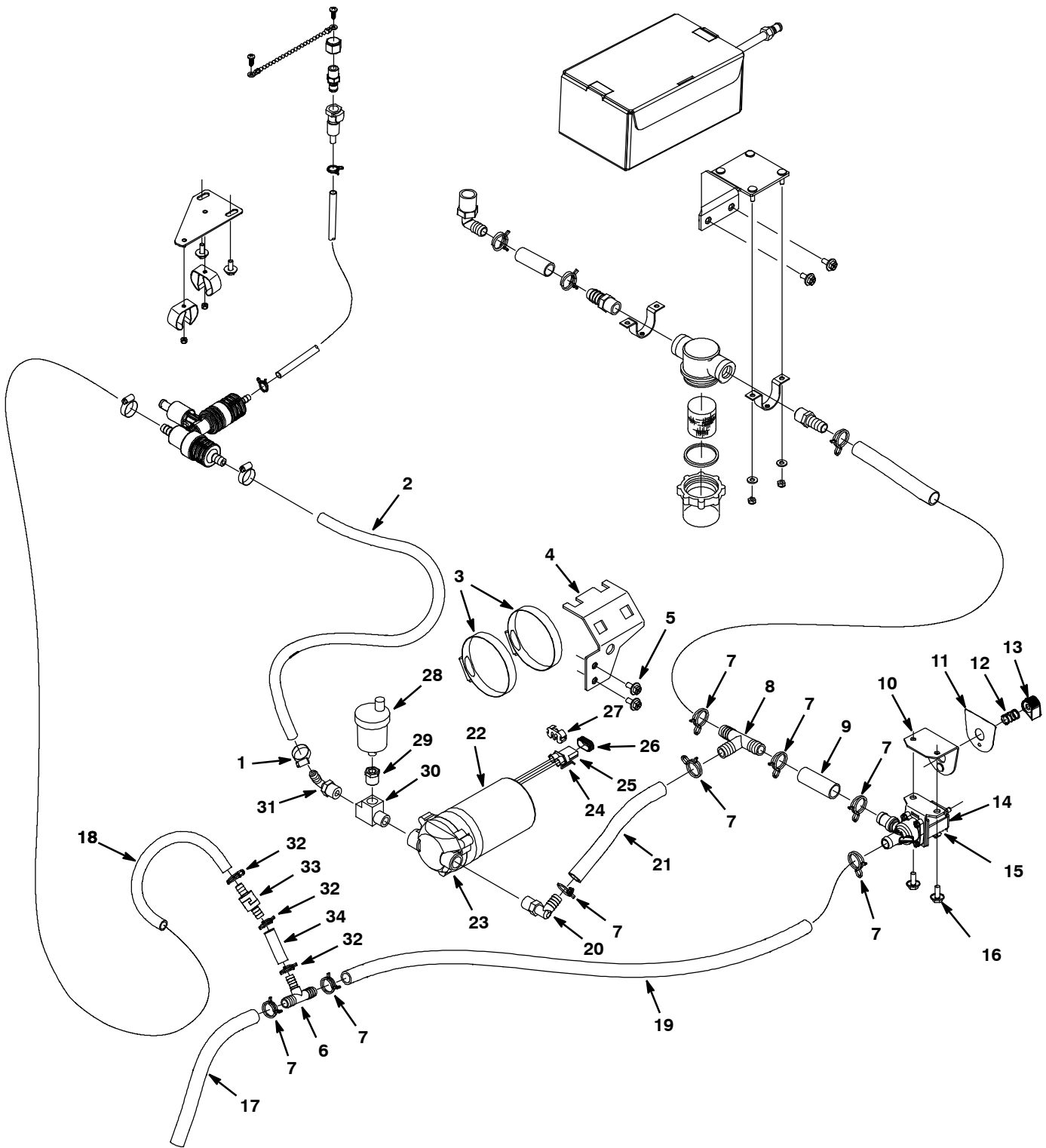
SOLUTION GROUP, FaST MODEL

| Ref. | Part No. | Serial Number | Description | Qty. | |
|------|-----------|---------------|--|---|---|
| 1 | 1018155 | (00000000- |) Screw, Pan, M5 X 0.8 X16, Ss, Tcut | 2 | |
| 2 | 621443 | (00000000- |) Chain, Ball, #10 X 157l, Ss | 1 | |
| 3 | 1005435 | (00000000- |) Fitting, Plstc, Cap, Pf04, Pipe | 1 | |
| 4 | 1006206 | (00000000- |) Fitting, Plstc, Str, Pm04, Cplg,Mal[Nob] | 1 | |
| 5 | 1006204 | (00000000- |) Coupling, Fem, W/Valve, .25 Brb[Nobles] | 1 | |
| 6 | 1006415 | (00000000- |) Hose, Afmkt, Pvc, Clr 0.25id 3ft [C460126] | 1 | |
| 7 | 1017019 | (00000000- |) Detergent Pkg, 2 Liter, Sgl [Mp] | 1 | |
| 7 | 1017025 | (00000000- |) Detergent Pkg, 2 Liter, Sgl [Mpd] | 1 | |
| 8 | 1013505 | (00000000- |) Fitting, Plstc, E90, Bm08/Pm08, Nyl | 1 | |
| 9 | 607776 | (00000000- |) Clamp, Hose, Wire, .73 - .77, Silver | 3 | |
| 10 | 069760725 | (00000000- |) Hose Sol 1/2idx3.25" [611259] | 1 | |
| 11 | 14884 | (00000000- |) Fitting, Brs, Str, Bm08/Pm06 [Taped] | 2 | |
| 12 | 605056 | (00000000- |) Bracket, Mtg, Fltr | 2 | |
| 13 | 1023543 | (00000000- |) Bracket Wldt, Mtg, Filter | 1 | |
| 14 | 1034731 | (10369603- |) Screw, Hex, M6 X 1.00 X 16, Ss, Sems | 4 | |
| 15 | 54333 | (10348538- |) Clamp, Hose, Wormdrive, 0.31-0.88d, .31w | 2 | |
| ▽ | 16 | 1005302 | (00000000- |) Filter, In-Line, Pf06/Pf06, 80 Mesh | 1 |
| ▲ | 17 | 613993 | (00000000- |) Housing, Top, F/1005302 | 1 |
| ▲ | 18 | 1005304 | (00000000- |) Screen, Fltr, 80 Mesh | 1 |
| ▲ | 19 | 613992 | (00000000- |) Gasket [Viton, F/1005302] | 1 |
| ▲ | 20 | 613991 | (00000000- |) Bowl, Clr, Short, F/1005302 | 1 |
| | 21 | 01683 | (00000000- |) Washer, Flat, #10, Ss | 4 |
| | 22 | 09739 | (00000000- |) Nut, Hex, Lock, M5 X 0.80, NI, Ss | 4 |
| | 23 | 613521 | (00000000- |) Tube, 0.50id X 0.75od Vyl 1.00ft[611259] | 1 |
| | 24 | 9008847 | (10538043- |) Fast Kit, Injector[T5 60/65cm, Fast lii] (600 mm Disk & 650 mm Cyl Models) | 1 |
| | 25 | 1040982 | (10369603- |) Plate, Mtg, Injector [T5/Ss5 Fast li+] | 1 |
| | 26 | 573073 | (10538043- |) Clip, Grip, Hose, 1.00-1.50, Stl, PI (600 mm Disk & 650 mm Cyl Models) | 2 |
| | 26 | 573073 | (10347532- |) Clip, Grip, Hose, 1.00-1.50, Stl, PI (700 mm/800 mm Disk & 800 mm Cyl Models) | 1 |
| | 27 | 33932 | (10347532- |) Nut, Hex, Lock, M4 X 0.7, NI, Ss | 2 |
| | 27 | 33932 | (00000000-10347531) |) Nut, Hex, Lock, M4 X 0.7, NI, Ss | 3 |
| | 28 | 613735 | (00000000- |) Clamp, Hose, Wir, .40 - .42, Yel | 2 |
| | 29 | 1014295 | (00000000-10347531) |) Clip, Spring, Holder, Blk Vyl Coated | 3 |
| | 30 | 49697 | (10347532-10369602) |) Screw, Pan, M4 X 0.7 X 10, Ss | 2 |
| | 30 | 49697 | (00000000-10347531) |) Screw, Pan, M4 X 0.7 X 10, Ss | 3 |
| | 31 | N/A | (00000000-10369602) |) (Replaced By Item #25) | 1 |
| | 32 | 01684 | (00000000-10369602) |) Washer, Flat, 0.25 Ss | 2 |
| | 33 | 11635 | (00000000- |) Screw, Hex, M6 X 1.0 X 12, Ss, NI | 2 |
| | 34 | 9003810 | (00000000-10348537) |) Fast Kit, Conv, Ci[T5 60/65cm, Fast li+] (600mm Disk & 650mm Cyl Models) (See Breakdowns) | 1 |
| | 34 | 9003812 | (00000000-10347531) |) Fast Kit, Conv, Ci[T5 70/80cm, Fast li+] (700mm/800mm Disk & 800mm Cyl Models) (See Breakdowns) | 1 |
| | 35 | 607775 | (00000000-10348537) |) Clamp, Hose, Wir, .63 - .66, Blk | 1 |
| | 36 | 1014295 | (00000000- |) Clip, Grip, Hose, 0.75-1.12, Stl,Blk Vyl (700 mm/800 mm Disk & 800 mm Cyl Models) | 1 |
| | 37 | 9003907 | (10348538-10538042) |) Fast Kit, Injector[T5 60/65cm, Fast li+] (See Breakdowns) (Replaced by 9008847) | 1 |
| | 37 | 9003908 | (10347532- |) Fast Kit, Injector[T5 70/80cm, Fast li+] (See Breakdowns) | 1 |

▽ ASSEMBLY

▲ INCLUDED IN ASSEMBLY

SOLUTION GROUP, FaST MODEL - CONT'D



SOLUTION GROUP, FaST MODEL - CONT'D

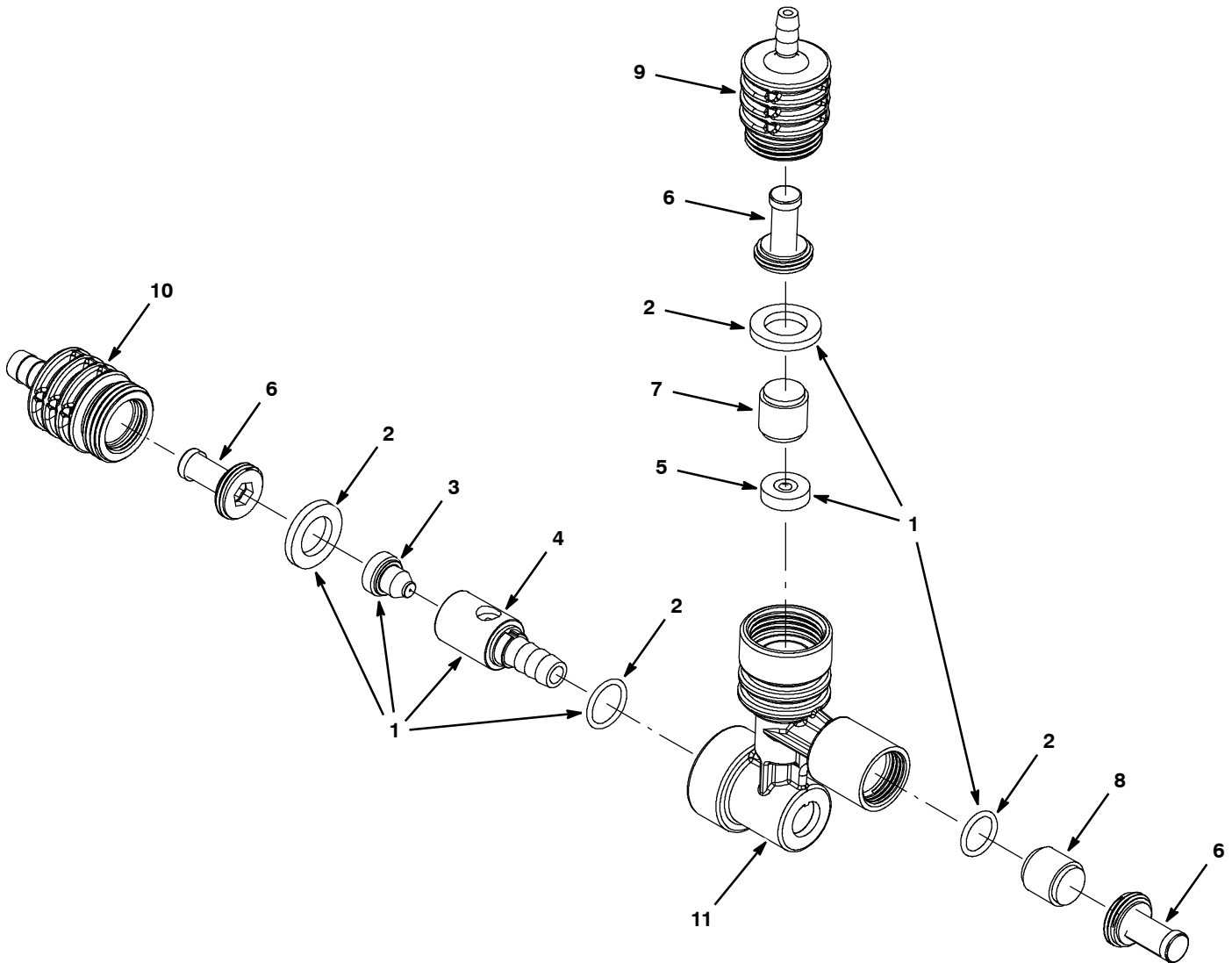
| Ref. | Part No. | Serial Number | Description | Qty. |
|------|----------|--------------------|---|------|
| 1 | 54333 | (00000000- |) Clamp, Hose, Wormdrive, 0.31-0.88d, .31w | 1 |
| 2 | 9002542 | (00000000- |) Hose, .38id X 0.6od Pvc 376720 Ft 3.5 | 1 |
| 3 | 43555 | (00000000- |) Clamp, Hose, Wormdrive, 2.50-3.50d, .50w | 2 |
| 4 | 1023463 | (00000000- |) Bracket, Mtg, Pump | 1 |
| 5 | 1034731 | (00000000- |) Screw, Hex, M6 X 1.00 X 16, Ss, Sems | 2 |
| 6 | 630372 | (00000000- |) Fitting, Plstc, Tee, Bm08/Bm06/Bm08 | 1 |
| 7 | 607776 | (00000000- |) Clamp, Hose, Wire, .73 - .77, Silver | 8 |
| 8 | 63245-1 | (00000000- |) Fitting, Plstc, Tee, Bm08/Bm08/Bm08 | 1 |
| 9 | 613521 | (00000000- |) Tubing 1/2idx3/4od Vnyl 611259 Ft 1.000 | 1 |
| 10 | 1023537 | (00000000- |) Bracket, Label, Soltn | 1 |
| 11 | 1024343 | (00000000- |) Label, Soltn, Flow | 1 |
| 12 | 1017091 | (00000000- |) Spring, Cmpr, 0.5od .036wir 00.8l | 1 |
| 13 | 1013442 | (00000000- |) Knob, Valve, Indicator, Blk | 1 |
| ▽ | 14 | 1062385 |) Valve, Water, Solenoid, 24vdc Bm10/Bm10 | 1 |
| ▲ | 15 | 614265 |) Valve Kit, Water [Viton Diaphragm] (Repair Kit) | 1 |
| 16 | 1034731 | (00000000- |) Screw, Hex, M6 X 1.00 X 16, Ss, Sems | 2 |
| 17 | 613521 | (00000000- |) Tube, 0.50id X 0.75od Vyl 1.00ft[611259] | 1 |
| 18 | 9004748 | (00000000- |) Hose, Pyu, Clr, 0.38id 0.62od 42l | 1 |
| 19 | 613531 | (00000000- |) Tubing 1/2idx3/4od Vinyl 611259 Ft 3.750 | 1 |
| 20 | 1017532 | (00000000- |) Fitting, Plstc, E90, Bm08/Pm06 | 1 |
| 21 | 613521 | (00000000- |) Tube, 0.50id X 0.75od Vyl 1.00ft[611259] | 1 |
| ▽ | 22 | 1014282 |) Pump, Soltn, Ele, 24vdc, 60psi, Packard | 1 |
| ▲ | 23 | 9001240 |) Pump Kit, Head, Soltn | 1 |
| ▲ | 24 | 78950 |) Connector, Fem, 02cav, Mp280 Sealed | 1 |
| ▲ | 25 | 78951 |) Terminal, Fem, Mp280, Sealed, 18-16ga | 1 |
| ▲ | 26 | 10917 |) Seal, Wire, 14/16ga [Wp / Mp280 Sealed] | 1 |
| ▲ | 27 | 78952 |) Lock, Secondary, 2cav, Mp280 Sealed | 1 |
| 28 | 1017386 | (00000000- |) Valve, Air Vent, Float Type | 1 |
| 29 | 24698 | (00000000- |) Fitting, Brs, Str, Pf02/Pm06 | 1 |
| 30 | 601483 | (00000000- |) Fitting, Brs, Tee, Pm06/Pf06, Strt, T | 1 |
| 31 | 1005630 | (00000000- |) Fitting, Plstc, E90, Bm06/Pm06, Nyl | 1 |
| 32 | 607775 | (10348538- |) Clamp, Hose, Wir, .63 - .66, Blk | 3 |
| 32 | 607775 | (00000000-10348537 |) Clamp, Hose, Wir, .63 - .66, Blk | 4 |
| 33 | 1015455 | (00000000- |) Valve, Check, Bm06/Bm06, 5psi | 1 |
| 34 | 606362 | (00000000- |) Hose 3/8idx5/8odx6.5 (611254) | 1 |

▽ ASSEMBLY

▲ INCLUDED IN ASSEMBLY

STANDARD PARTS

9008847 FAST INJECTOR ASSEMBLY BREAKDOWN (S/N 10538043-), 600 mm DISK & 650 mm CYLINDRICAL MODELS

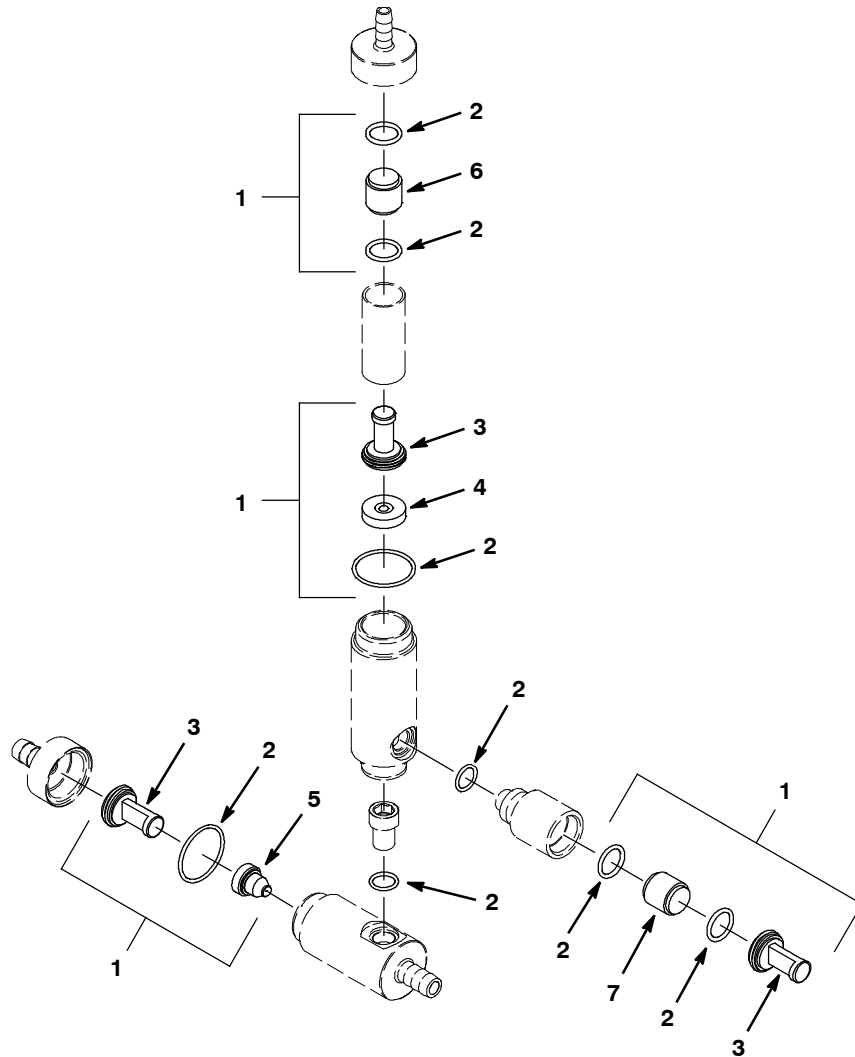


| Ref. | Part No. | Serial Number | Description | Qty. | |
|------|----------|---------------|--|---|---|
| ▽ | 9008847 | (10538043- |) Fast Kit, Injector[T5 60/65cm, Fast lii] | 1 | |
| ▲▽ | 1 | 9003811 | (10538043- |) Fast Kit, Ci[Inj Reblid, T5 60/65cm, li+] | 1 |
| ▲▲ | 2 | 9008848 | (10538043- |) Fast Kit, Seal, Injector, Ci [Fast lii] | 1 |
| ▲▲ | 3 | 1039989 | (10348538- |) Plug, Orifice, 0.030, Ss [Fast li+] | 1 |
| ▲▲ | 4 | 1059250 | (10538043- |) Insert, Venturi, Medium, [Fast lii] | 1 |
| ▲▲ | 5 | 1059869 | (10538043- |) Plate Assy, Orifice, 0.007id, Red | 1 |
| ▲ | 6 | 9003009 | (10348538- |) Fast Kit, Ci, Injector Filters[Fast li+] | 1 |
| ▲ | 7 | 1030444 | (10348538- |) Valve, Check, 0002psi [Fast li+] | 1 |
| ▲ | 8 | 1030441 | (10348538- |) Valve, Check, 0005psi [Fast li+] | 1 |
| ▲ | 9 | 1058126 | (10538043- |) Housing, Fltr, Upper [Fast lii] | 1 |
| ▲ | 10 | 1057811 | (10538043- |) Housing, Fltr, Lower [Fast lii] | 1 |
| ▲ | 11 | 1053564 | (10538043- |) Housing, Body, Injector [Fast lii] | 1 |

▽ ASSEMBLY

▲ INCLUDED IN ASSEMBLY

**9003907 FAST INJECTOR ASSEMBLY BREAKDOWN (S/N 10348538-10538042)
600 mm DISK & 650 mm CYLINDRICAL MODELS**



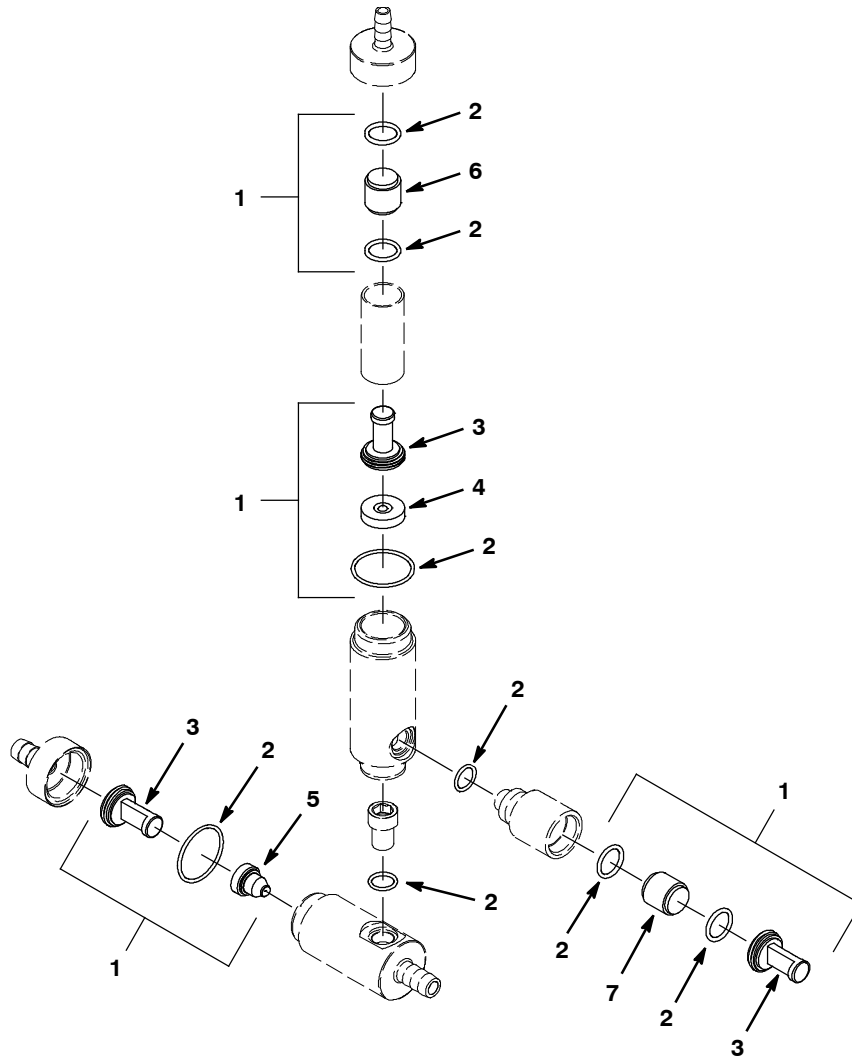
| Ref. | Part No. | Serial Number | Description | Qty. |
|------|----------|---------------------|---|------|
| ▽ | 9003907 | (10348538-10538042) | Fast Kit, Injector[T5 60/65cm, Fast li+] | 1 |
| ▲ | 1 | (10348538-10538042) | Fast Kit, Ci[Inj Reblid, T5 60/65cm, li+] | 1 |
| ▲ | 2 | (10348538-10538042) | Fast Kit, Ci, Injector Seals [Fast li+] | 1 |
| ▲ | 3 | (10348538-) | Fast Kit, Ci, Injector Filters[Fast li+] | 1 |
| ▲ | 4 | (10348538-10538042) | Plate Assy, Orifice, 0.007id, Red | 1 |
| ▲ | 5 | (10348538-) | Plug, Orifice, 0.030, Ss [Fast li+] | 1 |
| ▲ | 6 | (10348538-) | Valve, Check, 0002psi [Fast li+] | 1 |
| ▲ | 7 | (10348538-) | Valve, Check, 0005psi [Fast li+] | 1 |

▽ ASSEMBLY

▲ INCLUDED IN ASSEMBLY

STANDARD PARTS

9003908 FAST INJECTOR ASSEMBLY BREAKDOWN (S/N 10347532-) 700 mm / 800 mm DISK & 800 mm CYLINDRICAL MODELS

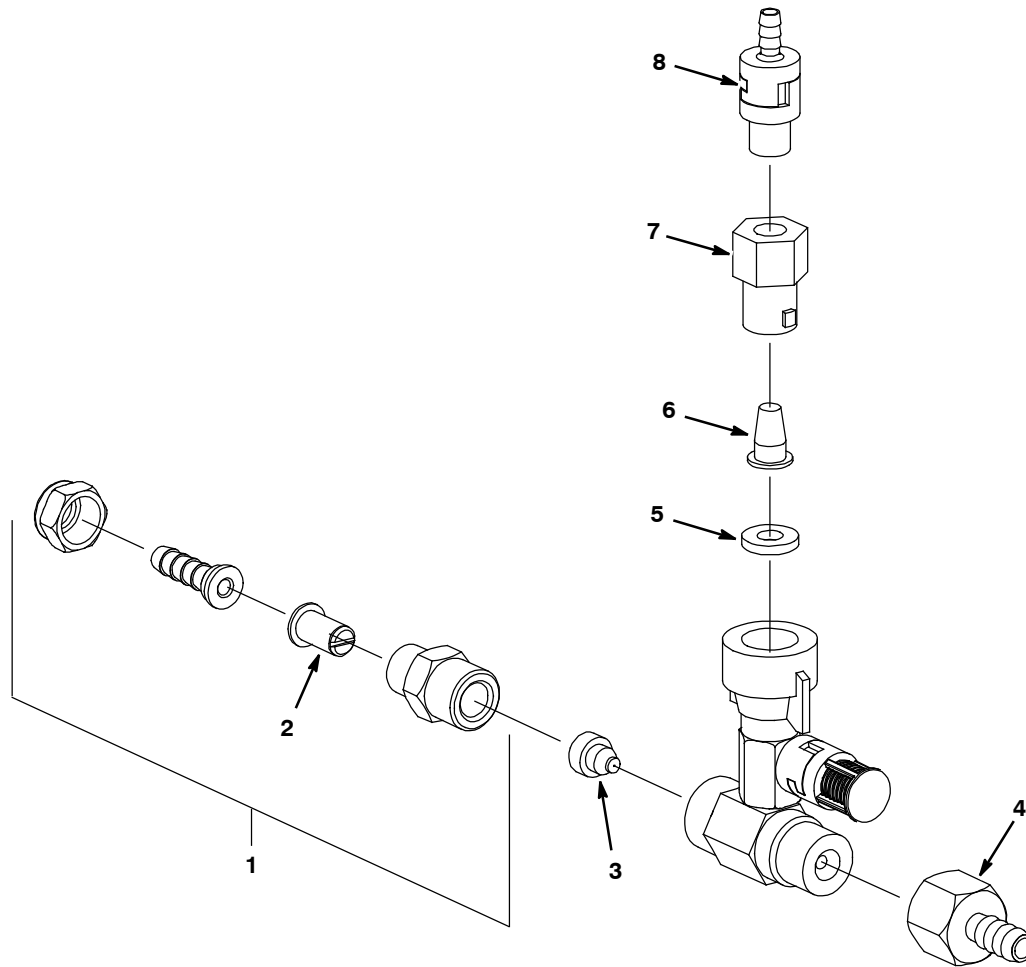


| Ref. | Part No. | Serial Number | Description | Qty. |
|------|----------|----------------------|---|------|
| ▽ | 9003908 | (10347532-) | Fast Kit, Injector[T5 70/80cm, Fast li+] | 1 |
| ▲ | 1 | 9003813 (10347532-) | Fast Kit, Ci[lnj Reblid, T5 70/80cm, li+] | 1 |
| ▲ | 2 | 9003008 (10347532-) | Fast Kit, Ci, Injector Seals [Fast li+] | 1 |
| ▲ | 3 | 9003009 (10347532-) | 3ast Kit, Ci, Injector Filters[Fast li+] | 1 |
| ▲ | 4 | 1039978 (10347532-) | Plate Assy, Orifice, 0.0075id, Blu | 1 |
| ▲ | 5 | 1039579 (10347532-) | Plug, Orifice, 0.033, Ss [Fast li+] | 1 |
| ▲ | 6 | 1030444 (10347532-) | Valve, Check, 0002psi [Fast li+] | 1 |
| ▲ | 7 | 1030441 (10347532-) | Valve, Check, 0005psi [Fast li+] | 1 |

▽ ASSEMBLY

▲ INCLUDED IN ASSEMBLY

9003812 FAST INJECTOR ASSEMBLY BREAKDOWN (S/N 0000000-10347531)
700 mm / 800 mm DISK & 800 mm CYLINDRICAL MODELS



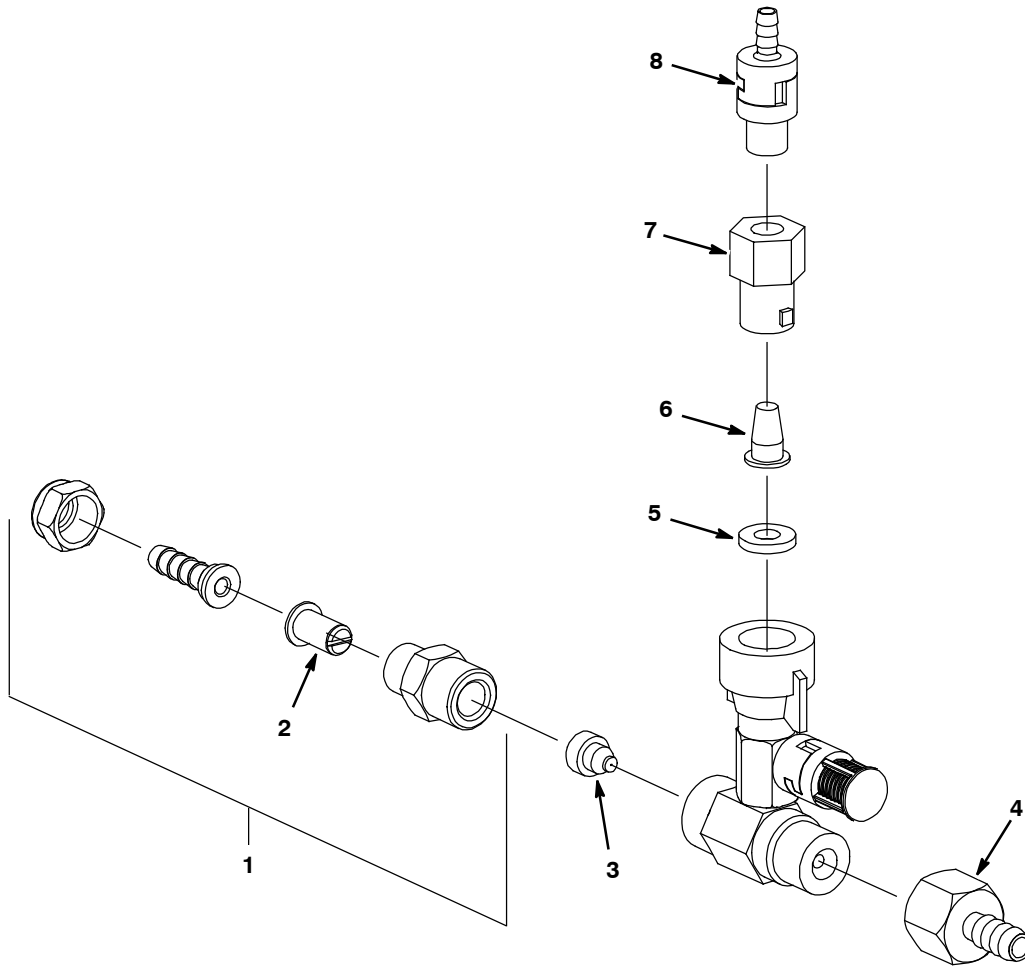
| Ref. | Part No. | Serial Number | Description | Qty. |
|------|----------|------------------------------|--|------|
| ▽ | 9003812 | (00000000-10347531) | Fast Kit, Conv, Ci[T5 70/80cm, Fast li+] | 1 |
| ▲ | 1 | 1013411 (00000000-10347531) | Filter Assy, 050mesh | 1 |
| ▲ | 2 | 1006447 (00000000-10347531) | Vr, Filter, Screen, 050 Mesh .59d .8l Ss | 1 |
| | 3 | 1039579 (00000000-10347531) | Plug, Orifice, 0.033, Ss [Fast li+] | 1 |
| | 4 | 1014276 (00000000-10347531) | Fitting, Brs, Str, Bm06/Pf08 | 1 |
| | 5 | 1039978 (00000000-10347531) | Plate Assy, Orifice, 0.0075id, Blu | 1 |
| | 6 | 1029355 (00000000-10347531) | Vr, Filter, Screen, 200 Mesh .59d .8l Ss | 1 |
| | 7 | 1005507 (00000000-10347531) | Fitting, Plstc, Body, Spray, Pf04 | 1 |
| | 8 | 1014254 (00000000-10347531) | Valve, Check, 0002psi Bm04/Pm04 | 1 |

▽ ASSEMBLY

▲ INCLUDED IN ASSEMBLY

STANDARD PARTS

9003810 FAST INJECTOR ASSEMBLY BREAKDOWN (S/N 00000000-10348537) 600 mm DISK & 650 mm CYLINDRICAL MODELS

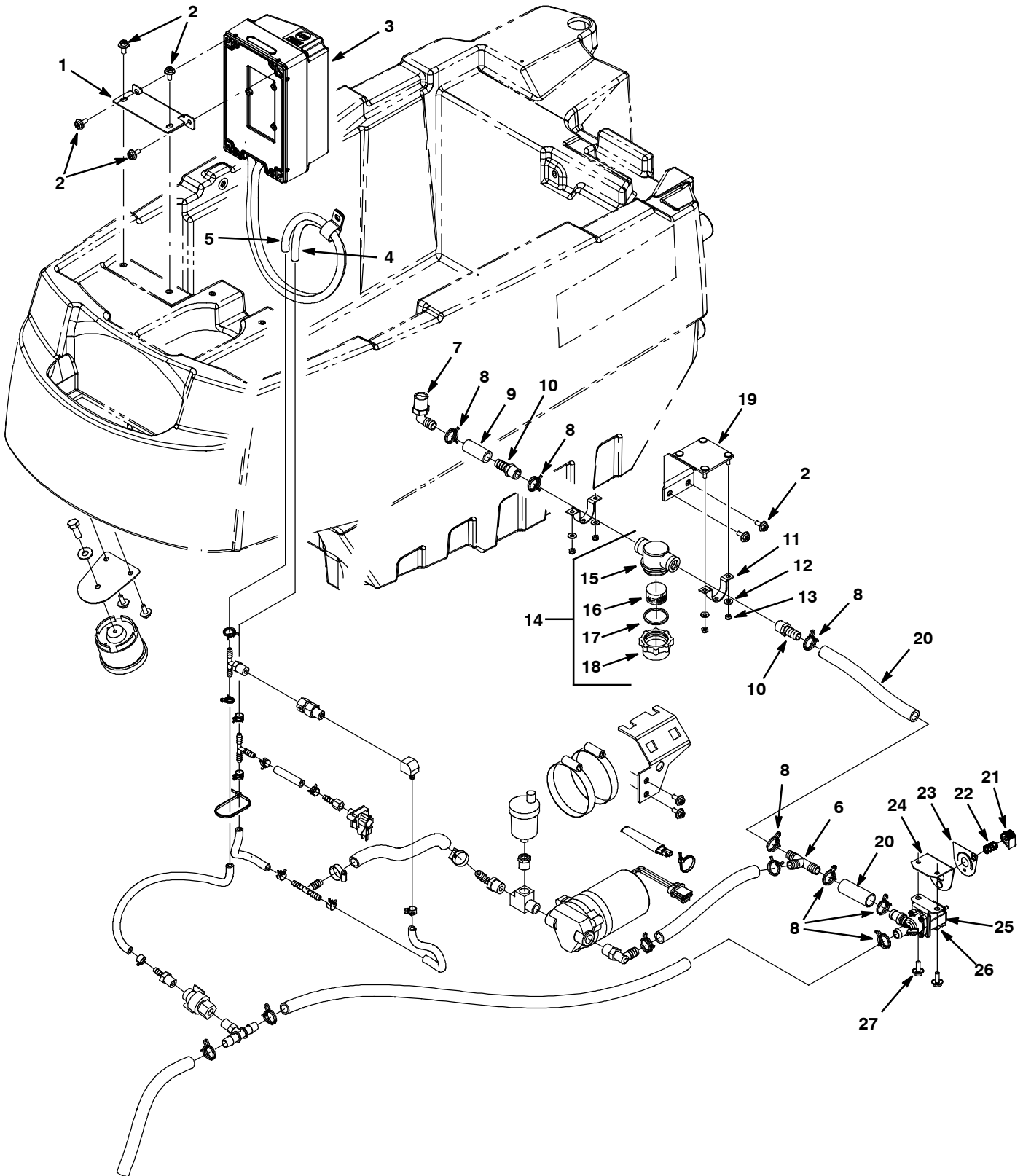


| Ref. | Part No. | Serial Number | Description | Qty. |
|------|----------|------------------------------|--|------|
| ▽ | 9003810 | (00000000-10348537) | Fast Kit, Conv, Ci[T5 60/65cm, Fast li+] | 1 |
| ▲ | 1 | 1013411 (00000000-10348537) | Filter Assy, 050mesh | 1 |
| ▲ | 2 | 1006447 (00000000-10348537) | Vr, Filter, Screen, 050 Mesh .59d .8l Ss | 1 |
| | 3 | 1039988 (00000000-10348537) | Plug, Orifice, 0.027, Ss [Fast li+] | 1 |
| | 4 | 1014276 (00000000-10348537) | Fitting, Brs, Str, Bm06/Pf08 | 1 |
| | 5 | 1032284 (00000000-10348537) | Plate Assy, Orifice, 0.007id, Red | 1 |
| | 6 | 1029355 (00000000-10348537) | Vr, Filter, Screen, 200 Mesh .59d .8l Ss | 1 |
| | 7 | 1005507 (00000000-10348537) | Fitting, Plstc, Body, Spray, Pf04 | 1 |
| | 8 | 1014254 (00000000-10348537) | Valve, Check, 0002psi Bm04/Pm04 | 1 |

▽ ASSEMBLY

▲ INCLUDED IN ASSEMBLY

SOLUTION GROUP, *ec-H2O* MODEL



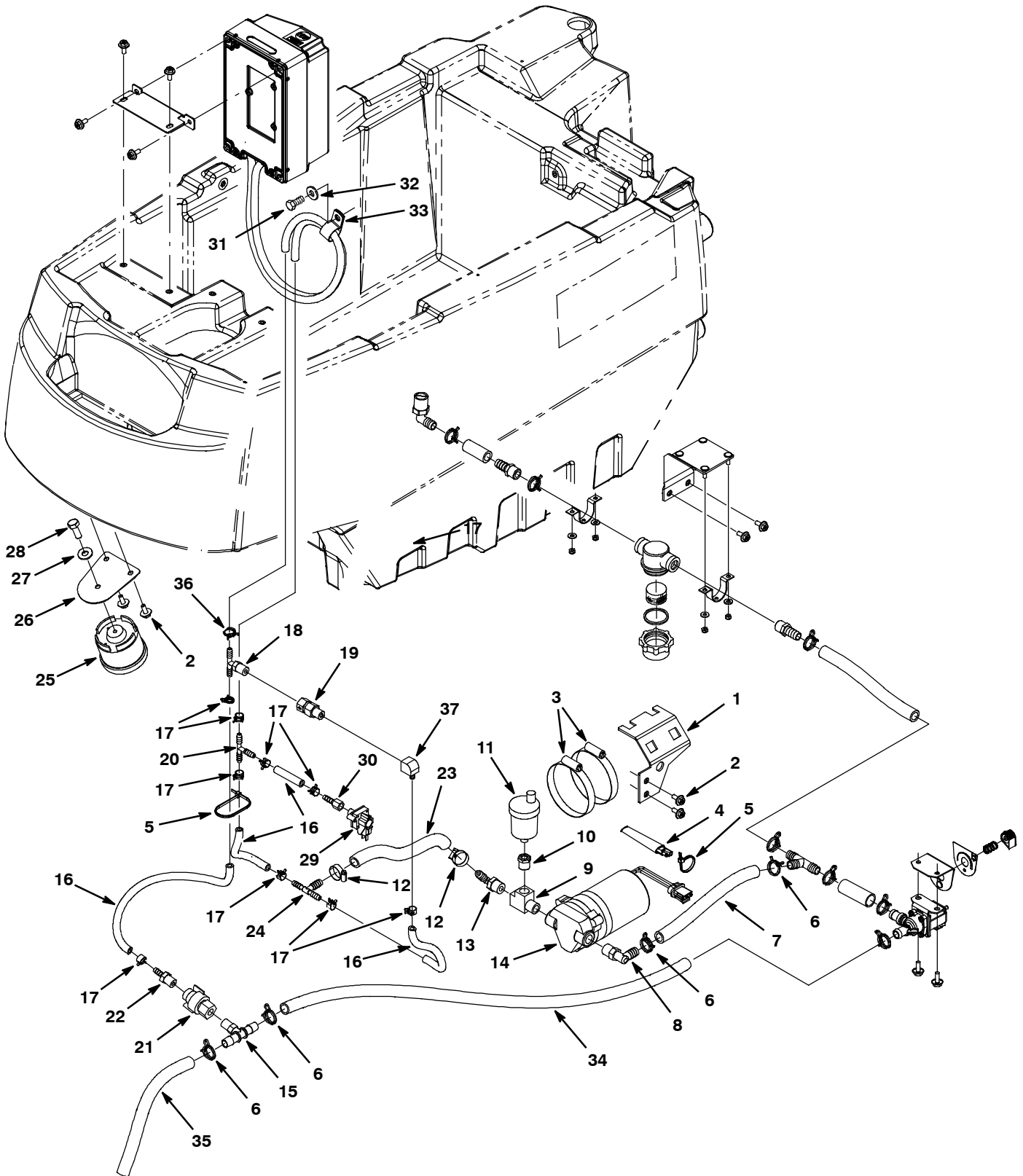
SOLUTION GROUP, *ec-H2O* MODEL

| Ref. | Part No. | Serial Number | Description | Qty. |
|------|----------|---------------|---|------|
| | 1 | 1045965 | (10378380-) Bracket, Mtg, Martini [No2][Ss5] | 1 |
| | 2 | 1034731 | (10378380-) Screw, Hex, M6 X 1.00 X 16, Sems, Ss | 6 |
| ▽ | 3 | 9007970 | (10448305-) Module Kit, Replmt [Ec-H2o] (See Breakdown) | 1 |
| ▲ | 4 | 578820000 | (10378380-) Hose, Pvc, Brd, 0.25id 0.44od 157.2l,Clr | 1 |
| ▲ | 5 | 9004606 | (10378380-) Hose, Pvc, Clr, 0.25id 0.38od 064.0l | 1 |
| | 6 | 63245-1 | (00000000-) Fitting, Plstc, Tee, Bm08/Bm08/Bm08 | 1 |
| | 7 | 1013505 | (00000000-) Fitting, Plstc, E90, Bm08/Pm08, Nyl | 1 |
| | 8 | 607776 | (00000000-) Clamp, Hose, Wir, .73 - .77, Silver | 7 |
| | 9 | 069760725 | (00000000-) Hose, Pvc, Clr, 0.50id 0.75od 003.0l | 1 |
| | 10 | 14884 | (00000000-) Fitting, Brs, Str, Bm08/Pm06 [Taped] | 2 |
| | 11 | 605056 | (00000000-) Bracket, Mtg, Fltr | 2 |
| | 12 | 01683 | (00000000-) Washer, Flat, 10, Ss | 4 |
| | 13 | 09739 | (00000000-) Nut, Hex, Lock, M5 X 0.80, NI, Ss | 4 |
| ▽ | 14 | 1005302 | (00000000-) Filter, In-Line, Pf06/Pf06 080mesh 02.6l | 1 |
| ▲ | 15 | 613993 | (00000000-) Housing, Top, F/1005302 | 1 |
| ▲ | 16 | 1005304 | (00000000-) Screen, Fltr, 80 Mesh, Ss | 1 |
| ▲ | 17 | 613992 | (00000000-) Gasket [Viton, F/1005302] | 1 |
| ▲ | 18 | 613991 | (00000000-) Bowl, Clr, Short, F/1005302 | 1 |
| | 19 | 1023543 | (00000000-) Bracket Wldt, Mtg, Filter | 1 |
| | 20 | 613521 | (00000000-) Hose, Pvc, Clr, 0.50id 0.75od 012.0l | 1 |
| | 21 | 1013442 | (00000000-) Knob, Valve, Indicator, Blk | 1 |
| | 22 | 1017091 | (00000000-) Spring, Cmpr, 0.50od .04wir 00.8l | 1 |
| | 23 | 1024843 | (00000000-) Manual, Oprtr [2550, Ru] | 1 |
| | 24 | 1023537 | (00000000-) Bracket, Label, Soltn | 1 |
| ▽ | 25 | 1062385 | (00000000-) Valve, Water, Solenoid, 24vdc Bm10/Bm10 | 1 |
| ▲ | 26 | 614265 | (00000000-) Valve Kit, Water [Viton Diaphram] (Repair Kit) | 1 |
| | 27 | 1034731 | (00000000-) Screw, Hex, M6 X 1.00 X 16, Ss, Sems | 2 |

▽ ASSEMBLY

▲ INCLUDED IN ASSEMBLY

SOLUTION GROUP, *ec-H2O* MODEL - CONT'D



SOLUTION GROUP, *ec-H2O* MODEL - CONT'D

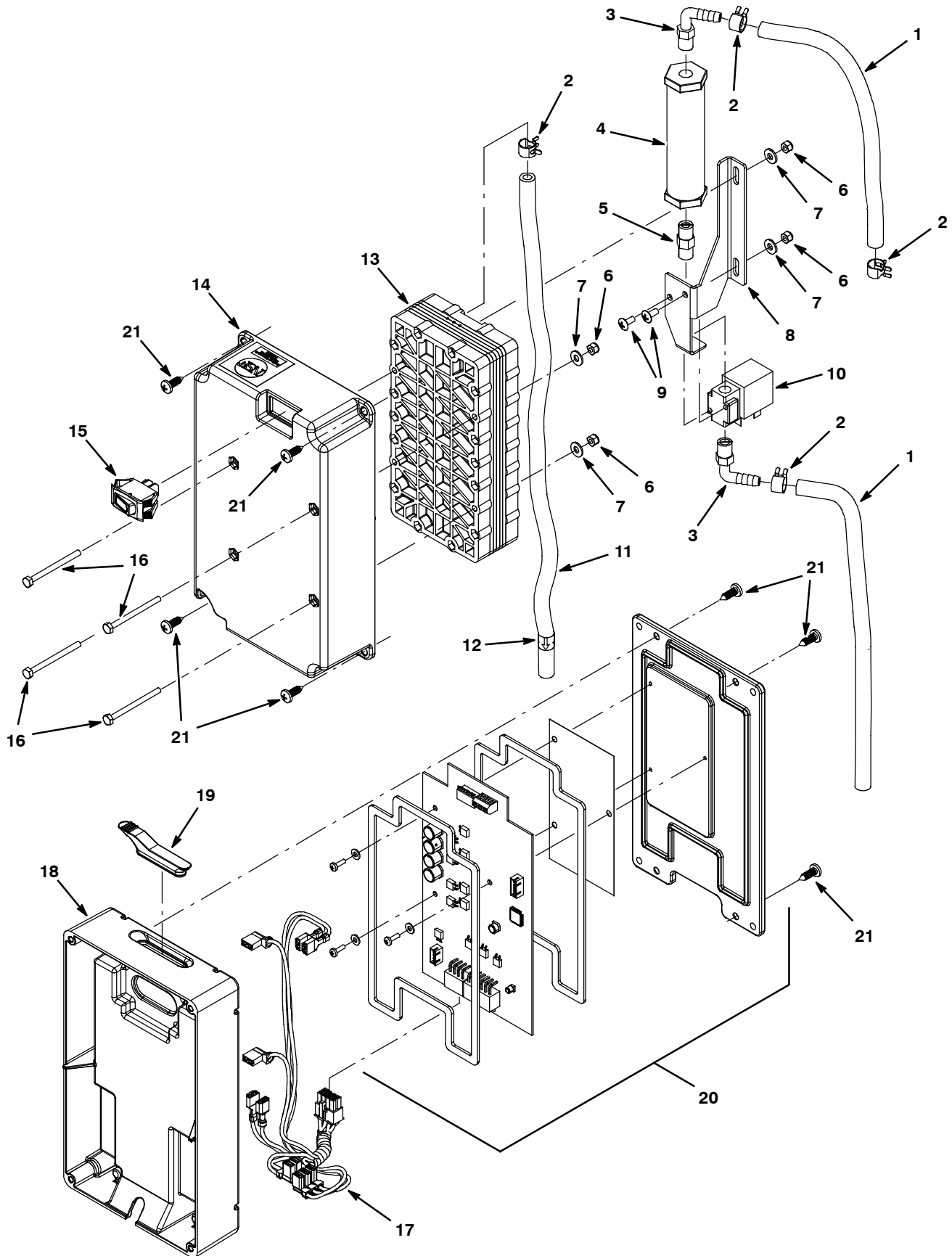
| Ref. | Part No. | Serial Number | Description | Qty. | |
|------|-----------|--------------------|--|---|---|
| 1 | 1023463 | (00000000- |) Bracket, Mtg, Pump [T5] | 1 | |
| 2 | 1034731 | (00000000- |) Screw, Hex, M6 X 1.00 X 16, Sems, Ss | 4 | |
| 3 | 43555 | (00000000- |) Clamp, Hose, Wormdrive, 2.50-3.50d, .50w | 2 | |
| 4 | 1040868 | (10378380- |) Capacitor, Plug [.01 Uf, 200v] | 1 | |
| 5 | 130773 | (10378380- |) Tie, Cable, Nyl, 11.0l, .14w, 3.0 Max. D | 2 | |
| 6 | 607776 | (00000000- |) Clamp, Hose, Wir, .73 - .77, Silver | 4 | |
| 7 | 613521 | (10378380- |) Hose, Pvc, Clr, 0.50id 0.75od 012.0l | 1 | |
| 8 | 1017532 | (00000000- |) Fitting, Plstc, E90, Bm08/Pm06 | 1 | |
| 9 | 601483 | (00000000- |) Fitting, Brs, Tee, Pf06/Pf06/Pm06, Run | 1 | |
| 10 | 24698 | (00000000- |) Fitting, Brs, Str, Pf02/Pm06 | 1 | |
| 11 | 1017386 | (00000000- |) Valve, Vent, Air, Float Type | 1 | |
| 12 | 54333 | (00000000- |) Clamp, Hose, Wormdrive, 0.31-0.88d, .31w | 2 | |
| 13 | 1005630 | (00000000- |) Fitting, Plstc, E90, Bm06/Pm06, Nyl | 1 | |
| ▽ | 14 | 1042495 | (10378380- |) Pump, Soltn, Ele, 24vdc, 35psi | 1 |
| ▲ | | 9004759 | (10378380- |) Pump Kit, Head, Soltn [Echo] | 1 |
| ▲ | | 78950 | (00000000- |) Connector, Fem, 2cav, Mp280 Sealed | 1 |
| ▲ | | 78951 | (00000000- |) Terminal, Fem, Mp280, Sealed, 18-16ga | 1 |
| ▲ | | 10917 | (00000000- |) Seal, Wire, 14/16ga [Wp / Mp280 Sealed] | 1 |
| ▲ | | 78952 | (00000000- |) Lock, Secondary, 2cav, Mp280 Sealed | 1 |
| 15 | 1010791 | (10378380- |) Fitting, Plstc, Tee, Bm08/Bm08/Pm04, Br | 1 | |
| 16 | 578820000 | (10378380- |) Hose, Pvc, Brd, 0.25id 0.44od 157.2l,Clr | 1 | |
| 17 | 603654 | (10378380- |) Clamp, Hose, Ear, .44d [Ctb] | 9 | |
| 18 | 607306 | (10378380- |) Fitting, Plstc, Tee, Bm04/Bm04/Pm04, Br | 1 | |
| 19 | 1044790 | (10378380- |) Valve, Check, 0025psi Pm04/Pf04 | 1 | |
| 20 | 150713 | (10378380- |) Fitting, Plstc, Tee, Bm04/Bm04/Bm04 | 1 | |
| 21 | 1043866 | (10378380- |) Fitting Assy, Qd, Pf04 | 1 | |
| 22 | 50901 | (10378380- |) Fitting, Plstc, Str, Bm04/Pm04 | 2 | |
| 23 | 1006400 | (10378380- |) Hose, Afmkt, Pvc, Brd, 0.38id, 03ft, Clr | 1 | |
| 24 | 1014441 | (10378380- |) Fitting, Plstc, Tee, Bm04/Bm04/Bm06, Br | 1 | |
| 25 | 1018505 | (10455033- |) Horn, 12-48vdc [88.5 Decibels] | 1 | |
| 25 | 392937 | (10378380-10455032 |) Horn, 12-48vdc [94 Decibels] | 1 | |
| 26 | 1044192 | (10378380- |) Bracket, Mtg, Horn, Echo | 1 | |
| 27 | 01685 | (10378380- |) Washer, Flat, 0.38b 0.88d .08, Ss | 1 | |
| 28 | 01697 | (10378380- |) Screw, Hex, .25-20 X 0.62, Ss | 1 | |
| 29 | 1044414 | (10378380- |) Switch, Press, 12psi, Pm02 | 1 | |
| 30 | 150520 | (10378380- |) Fitting, Brs, Str, Bm04/Pf02 | 1 | |
| 31 | 12273 | (10378380- |) Screw, Hex, M8 X 1.25 X 20, NI, Ss | 1 | |
| 32 | 69461 | (10378380- |) Washer, Flat, 0.38b 0.88d .12, Stl, Pl | 1 | |
| 33 | 69234 | (10378380- |) Clamp, Cable, Stl, 1.00d X 0.75w, 1hole | 1 | |
| 34 | 613531 | (00000000- |) Hose, Pvc, Clr, 0.50id 0.75od 045.0l | 1 | |
| 35 | 613521 | (00000000- |) Hose, Pvc, Clr, 0.50id 0.75od 012.0l | 1 | |
| 36 | 613735 | (10378380- |) Clamp, Hose, Wir, .40 - .42, Yel | 1 | |
| 37 | 1028773 | (00000000- |) Fitting, Brs, E90, Bm04/Pf04 | 1 | |

▽ ASSEMBLY

▲ INCLUDED IN ASSEMBLY

STANDARD PARTS

ec-H2O MODULE ASSEMBLY BREAKDOWN, 9007970 (S/N 10448305-)



ec-H2O MODULE ASSEMBLY BREAKDOWN, 9007970 (S/N 10448305-)

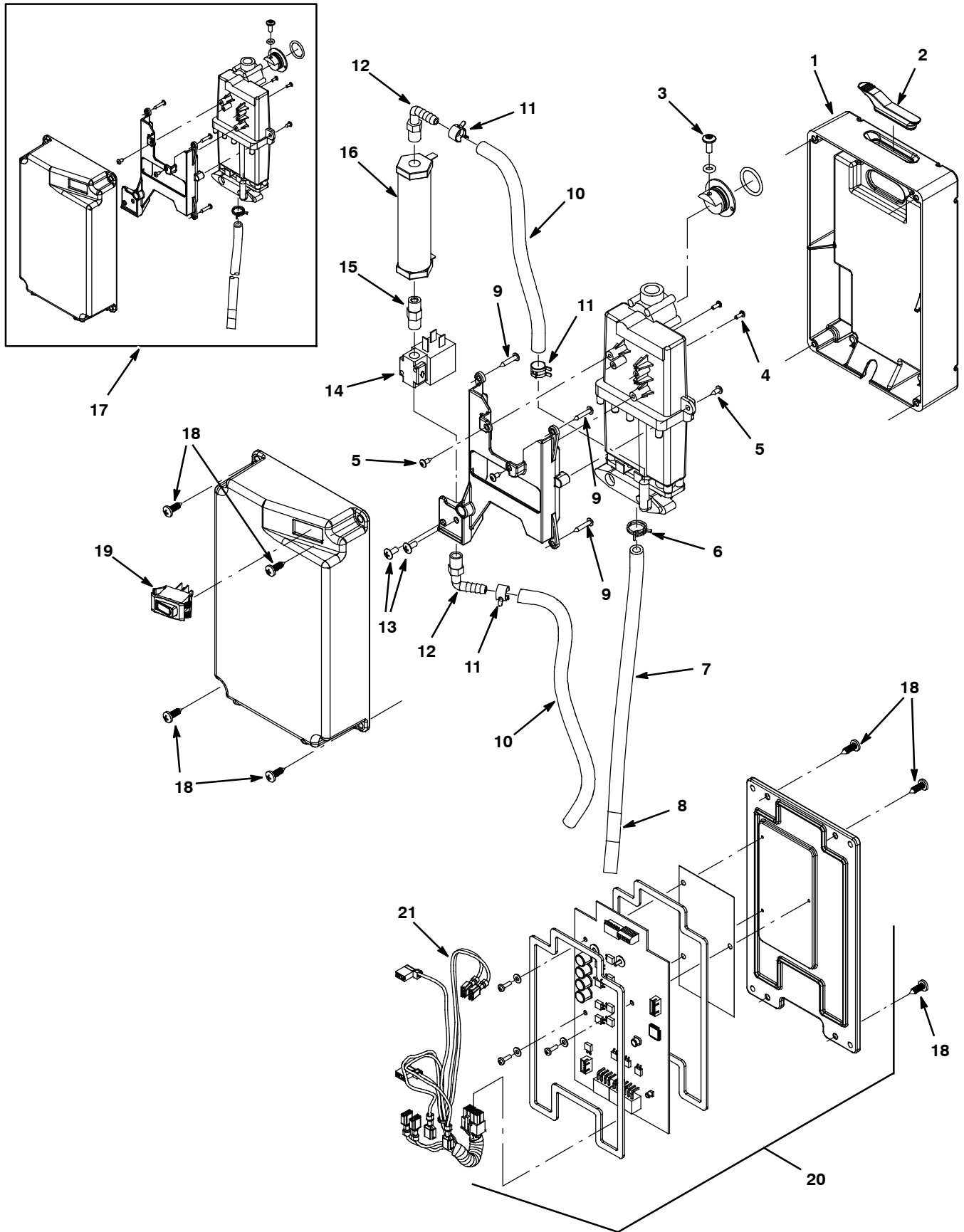
| Ref. | Part No. | Serial Number | Description | Qty. |
|------|-------------|---------------|--|------|
| ▽ | 9007970 | (00000000- |) Module Kit, Replmt [Ec-H2o] | 1 |
| ▲▽ | 9006324 | (00000000- |) Ec-H2o Kit [Module B, Plumbing] | 1 |
| ▲▲ | 1 578820000 | (00000000- |) Hose, Pvc, Brd, 0.25id 0.44od 157.2l,Clr | 1 |
| ▲▲ | 2 603654 | (00000000- |) Clamp, Hose, Ear, .44d [Ctb] | 4 |
| ▲▲ | 3 1037595 | (00000000- |) Fitting, Plstc, E90, Bm04/Pm02, Nyl | 2 |
| ▲▲ | 4 1062006 | (00000000- |) Electrode, Cylindrical | 1 |
| ▲▲ | 5 1045030 | (00000000- |) Fitting, Brs, Str, Pm02/Pm02 | 1 |
| ▲▲ | 6 33932 | (00000000- |) Nut, Hex, Lock, M4 X 0.70, NI, Ss | 4 |
| ▲▲ | 7 41579 | (00000000- |) Washer, Flat, 08, Ss | 4 |
| ▲▲ | 8 1048490 | (00000000- |) Bracket, Valve | 1 |
| ▲▲ | 9 140801 | (00000000- |) Screw, Trs, Phl, 08-32 X 0.38, Ss | 2 |
| ▲▲ | 10 1013236 | (00000000- |) Valve, Shutoff, Ele, 24vdc | 1 |
| ▲▲ | 11 9006574 | (00000000- |) Hose, Pvc, Brd, 0.25id 0.45od, 65l, Clr | 1 |
| ▲▲ | 12 1049637 | (00000000- |) Label, Direction [Ec-H2o] | 1 |
| ▲▲ | 13 1057637 | (00000000- |) Electrode, 5 Plate, High Flow | 1 |
| ▲▲ | 14 1051519 | (00000000- |) Housing, Upper, Module, High Flow | 1 |
| ▲▲ | 15 1044393 | (00000000- |) Switch, Rocker, Spst, Mom, | 1 |
| ▲▲ | 16 32509 | (00000000- |) Screw, Hex, M4 X 0.70 X 50, Ss | 4 |
| ▲▲ | 17 1049489 | (00000000- |) Harness, Main, Controller [Ec-H2o, P3] | 1 |
| ▲ | 18 1037032 | (00000000- |) Housing, Bottom | 1 |
| ▲ | 19 1054776 | (00000000- |) Grommet, Blind | 1 |
| ▲ | 20 9007969 | (00000000- |) Controller Kit, Replmt [Ec-H2o] | 1 |
| ▲ | 21 1018155 | (00000000- |) Screw, Pan, Phl, M5 X 0.80 X 16, Tcut,Ss | 8 |

▽ ASSEMBLY

▲ INCLUDED IN ASSEMBLY

STANDARD PARTS

ec-H2O MODULE ASSEMBLY BREAKDOWN, 9006161 (S/N 10378380-10448304)



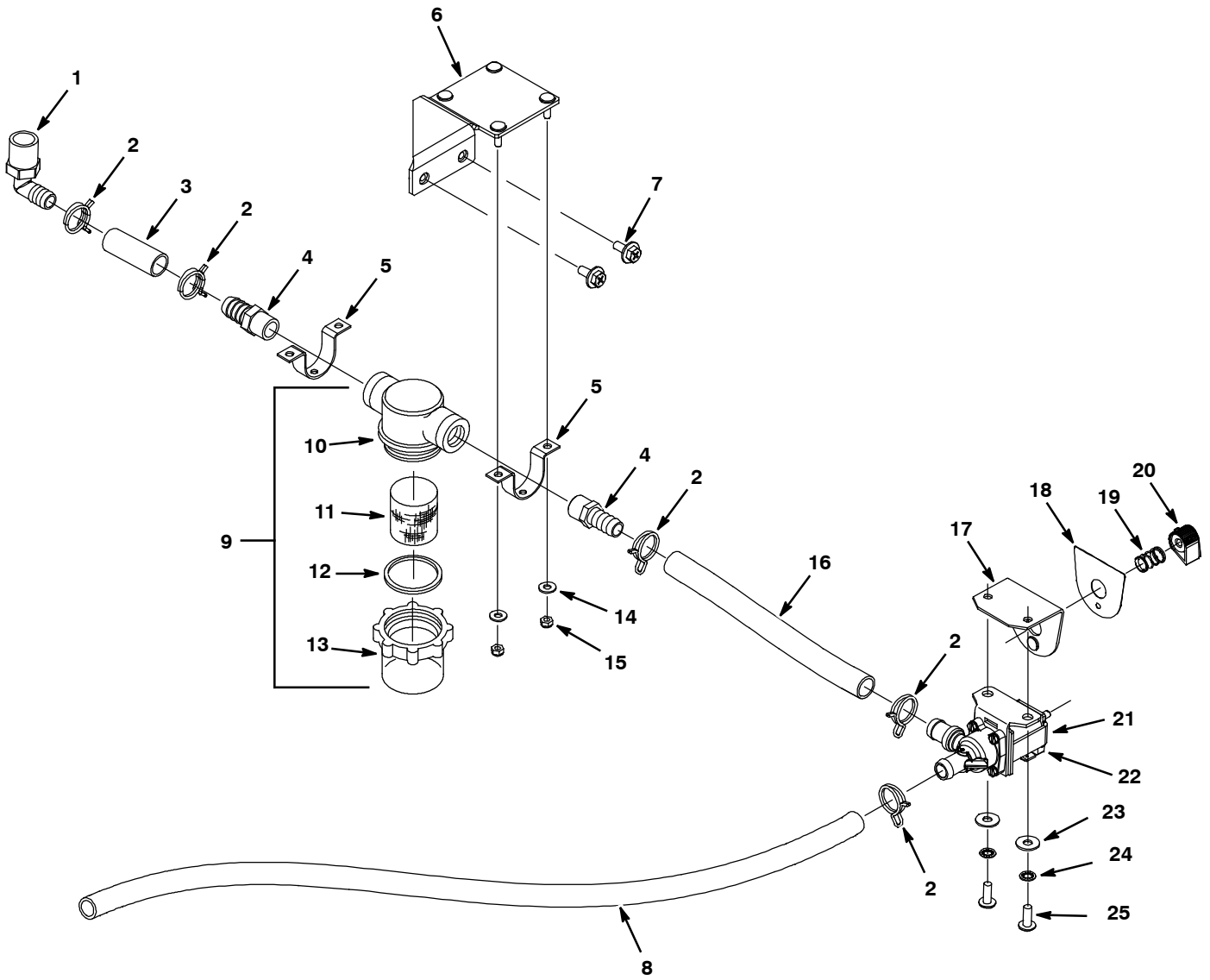
ec-H2O MODULE ASSEMBLY BREAKDOWN, 9006161 (S/N 10378380-10448304)

| Ref. | Part No. | Serial Number | Description | Qty. |
|------|--------------|----------------------|---|------|
| ▽ | 9006161 | (10378380-10448304) | Module Kit, Replmt [Ec-H2o] | 1 |
| ▲ | 1 1037032 | (10378380-) | Housing, Bottom | 1 |
| ▲ | 2 1054776 | (10378380-) | Grommet, Blind | 1 |
| ▲ | 3 609062 | (10378380-10448304) | Screw, Trs, Phl, 08-32 X 0.38, Ss | 1 |
| ▲ | 4 578860 | (10378380-10448304) | Screw, Pan, Phl, 04-40 X 0.31, Pl | 2 |
| ▲ | 5 3701.6 | (10378380-10448304) | Screw, Pan, Phl, 06-32 X 0.38, Shtmtl,Ss | 4 |
| ▲ | 6 613735 | (10378380-) | Clamp, Hose, Wir, .40 - .42, Yel | 1 |
| ▲ | 7 9004606 | (10378380-10448304) | Hose, Pvc, Brd, .25id .45od 46l, Clr | 1 |
| ▲ | 8 1049637 | (10378380-) | Label, Direction [Ec-H2o] | 1 |
| ▲ | 9 140826 | (10378380-10448304) | Screw, Pan, 06-32 X 0.75, Fmg/Ab, Ss | 4 |
| ▲ | 10 578820000 | (10378380-) | Hose, Pvc, Brd, 0.25id 0.44od 157.2l,Clr | 1 |
| ▲ | 11 603654 | (10378380-) | Clamp, Hose, Ear, .44d [Ctb] | 4 |
| ▲ | 12 1037595 | (10378380-) | Fitting, Plstc, E90, Bm04/Pm02, Nyl | 2 |
| ▲ | 13 140801 | (10378380-10448304) | Screw, Trs, Phl, 08-32 X 0.38, Ss | 2 |
| ▲ | 14 1013236 | (10378380-) | Valve, Shutoff, Ele, 24vdc | 1 |
| ▲ | 15 1045030 | (10378380-) | Fitting, Brs, Str, Pm02/Pm02 | 1 |
| ▲ | 16 1038159 | (10378380-) | Electrode, Cylindrical | 1 |
| ▲ | 17 N/A | (10378380-10448304) | Part Not Sold Separately - Order E-Cell Upgrade Kit P/N 9006324 | 1 |
| ▲ | 18 1018155 | (10378380-) | Screw, Pan, Phl, M5 X 0.80 X 16, Tcut,Ss | 8 |
| ▲ | 19 1044393 | (10378380-) | Switch, Rocker, Spst, Mom, | 1 |
| ▲ | 20 9006159 | (10378380-) | Controller Kit, Replmt [Ec-H2o] | 1 |
| ▲ | 21 1044399 | (10378380-10448304) | Harness, Main, Controller [Ec-H2o, P3] | 1 |

▽ ASSEMBLY

▲ INCLUDED IN ASSEMBLY

SOLUTION GROUP, STANDARD MODEL



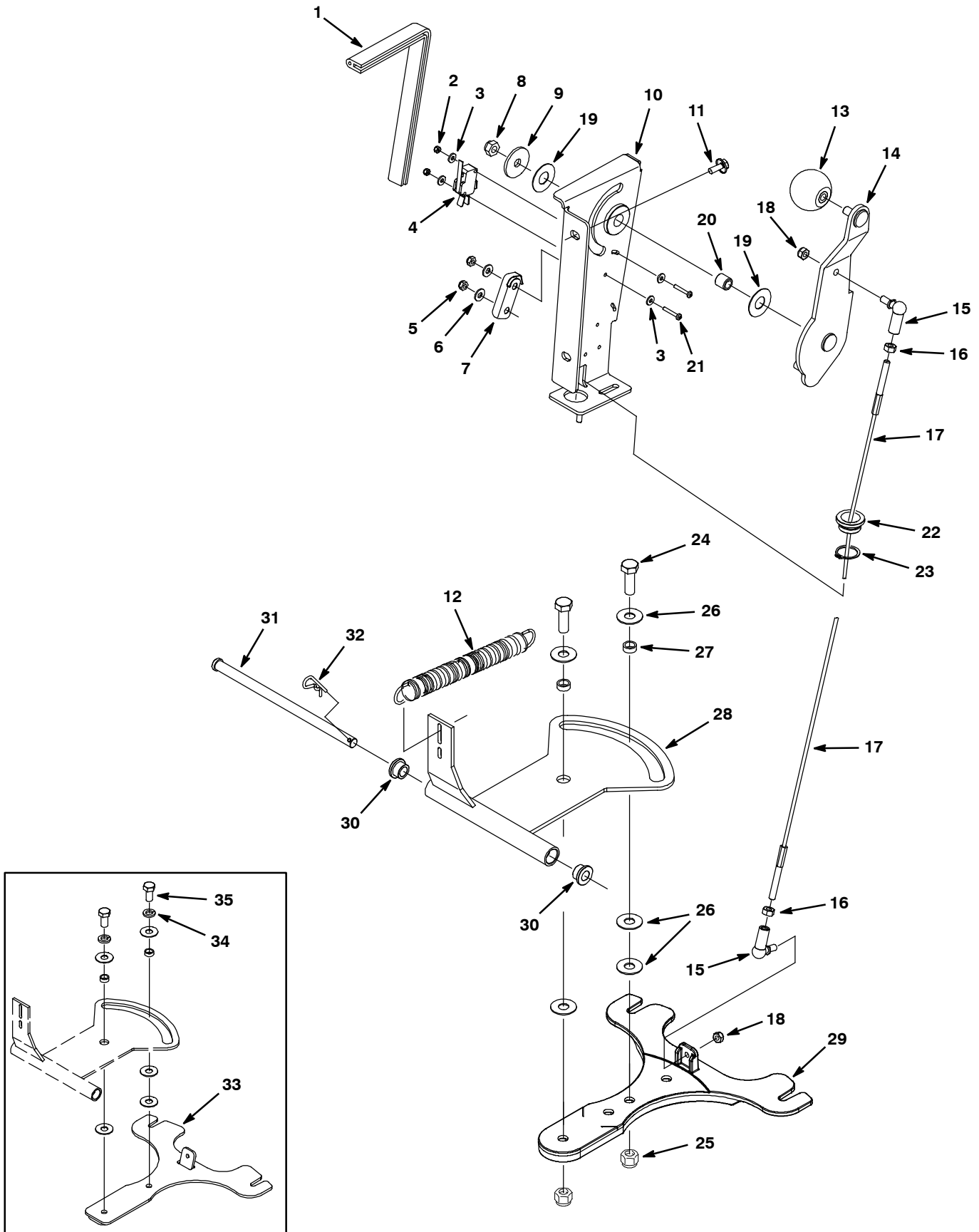
SOLUTION GROUP, STANDARD MODEL

| Ref. | Part No. | Serial Number | Description | Qty. | |
|------|-----------|---------------|--|--|---|
| 1 | 1013505 | (00000000- |) Fitting, Plstc, E90, Bm08/Pm08, Nyl | 1 | |
| 2 | 607776 | (00000000- |) Clamp, Hose, Wir, .73 - .77, Silver | 5 | |
| 3 | 069760725 | (00000000- |) Hose Sol 1/2idx3.25" [611259] | 1 | |
| 4 | 14884 | (00000000- |) Fitting, Brs, Str, Bm08/Pm06 [Taped] | 2 | |
| 5 | 605056 | (00000000- |) Bracket, Mtg, Fltr | 2 | |
| 6 | 1023543 | (00000000- |) Bracket Wldt, Mtg, Filter | 1 | |
| 7 | 1034731 | (00000000- |) Screw, Hex, M6 X 1.00 X 16, Ss, Sems | 2 | |
| 8 | 613531 | (00000000- |) Tube, 0.50id X 0.75od Vyl 3.75ft[611259] | 1 | |
| ▽ | 9 | 1005302 | (00000000- |) Filter, In-Line, Pf06/Pf06, 80 Mesh | 1 |
| ▲ | 10 | 613993 | (00000000- |) Housing, Top, F/1005302 | 1 |
| ▲ | 11 | 1005304 | (00000000- |) Screen, Fltr, 80 Mesh | 1 |
| ▲ | 12 | 613992 | (00000000- |) Gasket [Viton, F/1005302] | 1 |
| ▲ | 13 | 613991 | (00000000- |) Bowl, Clr, Short, F/1005302 | 1 |
| | 14 | 01683 | (00000000- |) Washer, Flat, #10, Ss | 4 |
| | 15 | 09739 | (00000000- |) Nut, Hex, Lock, M5 X 0.80, NI, Ss | 4 |
| | 16 | 613521 | (00000000- |) Tube, 0.50id X 0.75od Vyl 1.00ft[611259] | 1 |
| | 17 | 1023537 | (00000000- |) Bracket, Label, Soltn | 1 |
| | 18 | 1024343 | (00000000- |) Label, Soltn, Flow | 1 |
| | 19 | 1017091 | (00000000- |) Spring, Cmpr, 0.5od .036wir 00.8l | 1 |
| | 20 | 1013442 | (00000000- |) Knob, Valve, Indicator, Blk | 1 |
| ▽ | 21 | 1062385 | (00000000- |) Valve, Water, Solenoid, 24vdc Bm10/Bm10 | 1 |
| ▲ | 22 | 614265 | (00000000- |) Valve Kit, Water [Viton Diaphram] (Repair Kit) | 1 |
| | 23 | 01684 | (00000000- |) Washer, Flat, 0.25, Ss | 2 |
| | 24 | 07515 | (00000000- |) Washer, Lock, Int, 0.25, Ss | 2 |
| | 25 | 608322 | (00000000- |) Screw, Trs, M6 X 1.00 X 16, Phl, Ss | 2 |

▽ ASSEMBLY

▲ INCLUDED IN ASSEMBLY

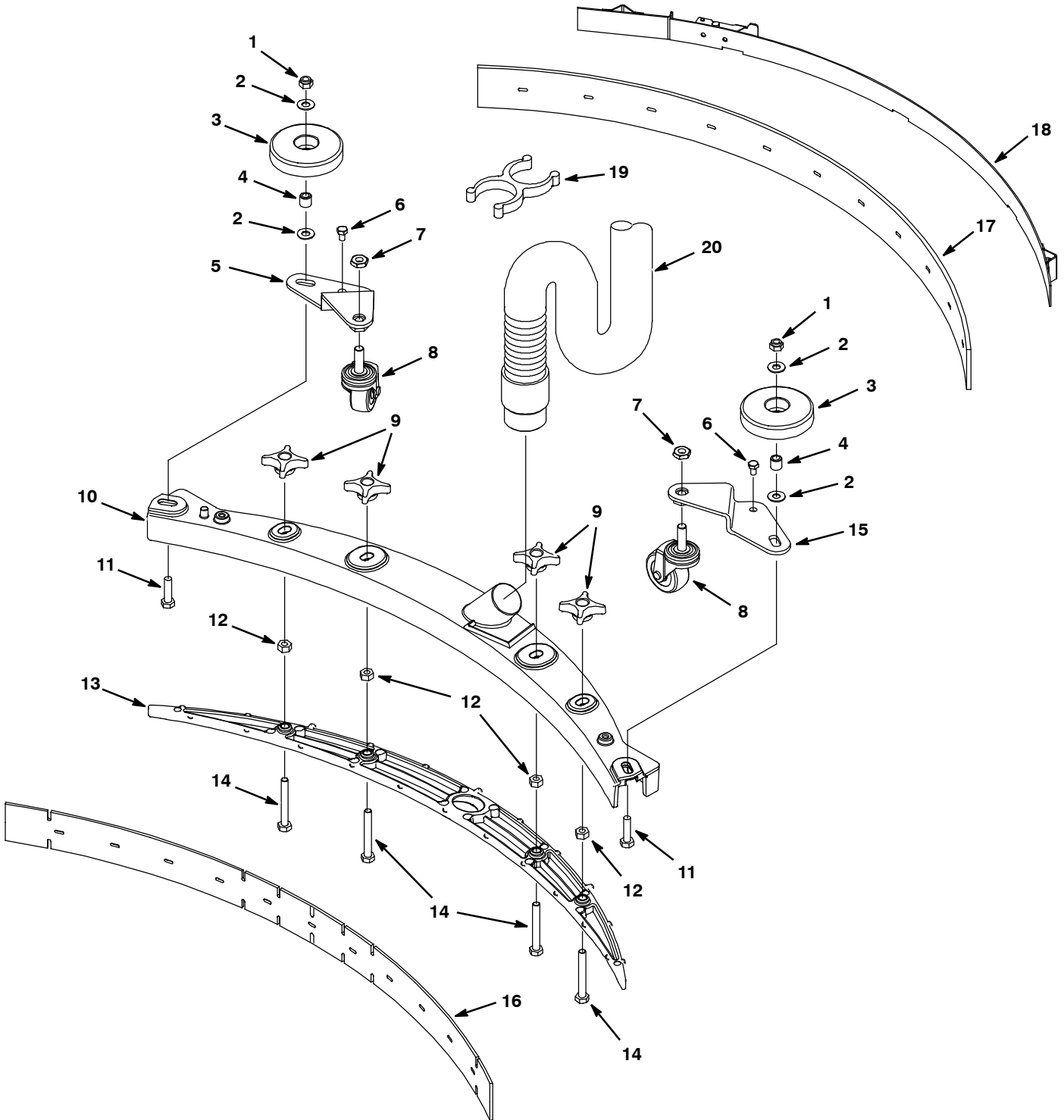
SQUEEGEE LIFT GROUP



SQUEEGEE LIFT GROUP

| Ref. | Part No. | Serial Number | Description | Qty. |
|------|----------|--------------------|--|------|
| 1 | 1008675 | (00000000- |) Gasket, Edge, Foam, 24.00l [Fr] | 1 |
| 2 | 579211 | (00000000- |) Nut, Hex, Lock, M3 X .5, Ss | 2 |
| 3 | 41578 | (00000000- |) Washer, Flat, #06, Ss | 4 |
| 4 | 1012568 | (00000000- |) Switch, Snap, 10a, Short | 1 |
| 5 | 09739 | (00000000- |) Nut, Hex, Lock, M5 X 0.8, NI, Ss | 2 |
| 6 | 01683 | (00000000- |) Washer, Flat, #10, Ss | 2 |
| 7 | 1024060 | (00000000- |) Spring, Lever, Sqge, W/ 90° Bend | 1 |
| 8 | 08713 | (00000000- |) Nut, Hex, Lock, M8 X 1.25, NI, Ss | 1 |
| 9 | 1016331 | (00000000- |) Washer, Flat, 0.34b 1.25d .11, Ss | 1 |
| 10 | 1020922 | (00000000- |) Bracket, Lift, Sqge | 1 |
| 11 | 1034731 | (00000000- |) Screw, Hex, M6 X 1.00 X 16, Ss, Sems | 2 |
| 12 | 140423 | (00000000- |) Spring, Brush Press | 1 |
| 13 | 1017156 | (00000000- |) Knob, Ball, M8 Insert, 40mmd, Plstc | 1 |
| 14 | 1024354 | (00000000- |) Lever, Sqge | 1 |
| 15 | 1012747 | (00000000- |) Balljoint, M6 X 1.0 Fem, M6 X 1.0 Mal | 2 |
| 16 | 07785 | (00000000- |) Nut, Hex, Std, M6 X 1.00, A2, Ss | 2 |
| 17 | 1024105 | (00000000- |) Cable, Lift, Sqge | 1 |
| 18 | 08712 | (00000000- |) Nut, Hex, Lock, M6 X 1.0, Ss, NI | 2 |
| 19 | 1013397 | (00000000- |) Washer, Flat, M13 X 30 X 0.8, Nyl | 2 |
| 20 | 222460 | (00000000- |) Sleeve, P/M, 0.31b 0.50d 0.5l | 1 |
| 21 | 06922 | (00000000- |) Screw, Pan, M3 X 0.5 X 20, 4.8 | 2 |
| 22 | 1009363 | (00000000- |) Bushing, Cable | 1 |
| 23 | 621236 | (00000000- |) Ring, Retaining, Ext, 0.81d | 1 |
| 24 | 12309 | (10387970- |) Screw, Hex, M12 X 1.75 X 30, Ss | 2 |
| 25 | 09741 | (10387970- |) Nut, Hex, Lock, M12 X 1.75, NI, Ss | 2 |
| 26 | 140045 | (00000000- |) Washer, Flat, 0.51b 1.25d .06, Ss | 5 |
| 27 | 1013662 | (00000000- |) Bushing, Sleeve, 12mm 16mm 6.5mml, Pm Yw | 2 |
| 28 | 1020974 | (00000000- |) Bracket Wldt, Pivot, Sqge | 1 |
| 29 | 1038515 | (10387970- |) Bracket Kit, Sqge, Conversion [T5] | 1 |
| 30 | 606058 | (00000000- |) Bearing, Flng .505id .753od | 2 |
| 31 | 1026232 | (00000000- |) Pin, Clevis, 0.50 D X 9.25l | 1 |
| 32 | 140626 | (00000000- |) Pin, Hair Cotter, 0.25 D .125 Wir | 1 |
| 33 | 1038515 | (00000000-10387969 |) Bracket Kit, Sqge, Conversion [T5] | 1 |
| 34 | 140024 | (00000000-10387969 |) Washer, Lock, Split, 0.50, Ss | 2 |
| 35 | 1033003 | (00000000-10387969 |) Screw, Hex, M12 X 1.75 X 25, NI, Ss | 2 |

SQUEEGEE GROUP, 20 in / 500 mm



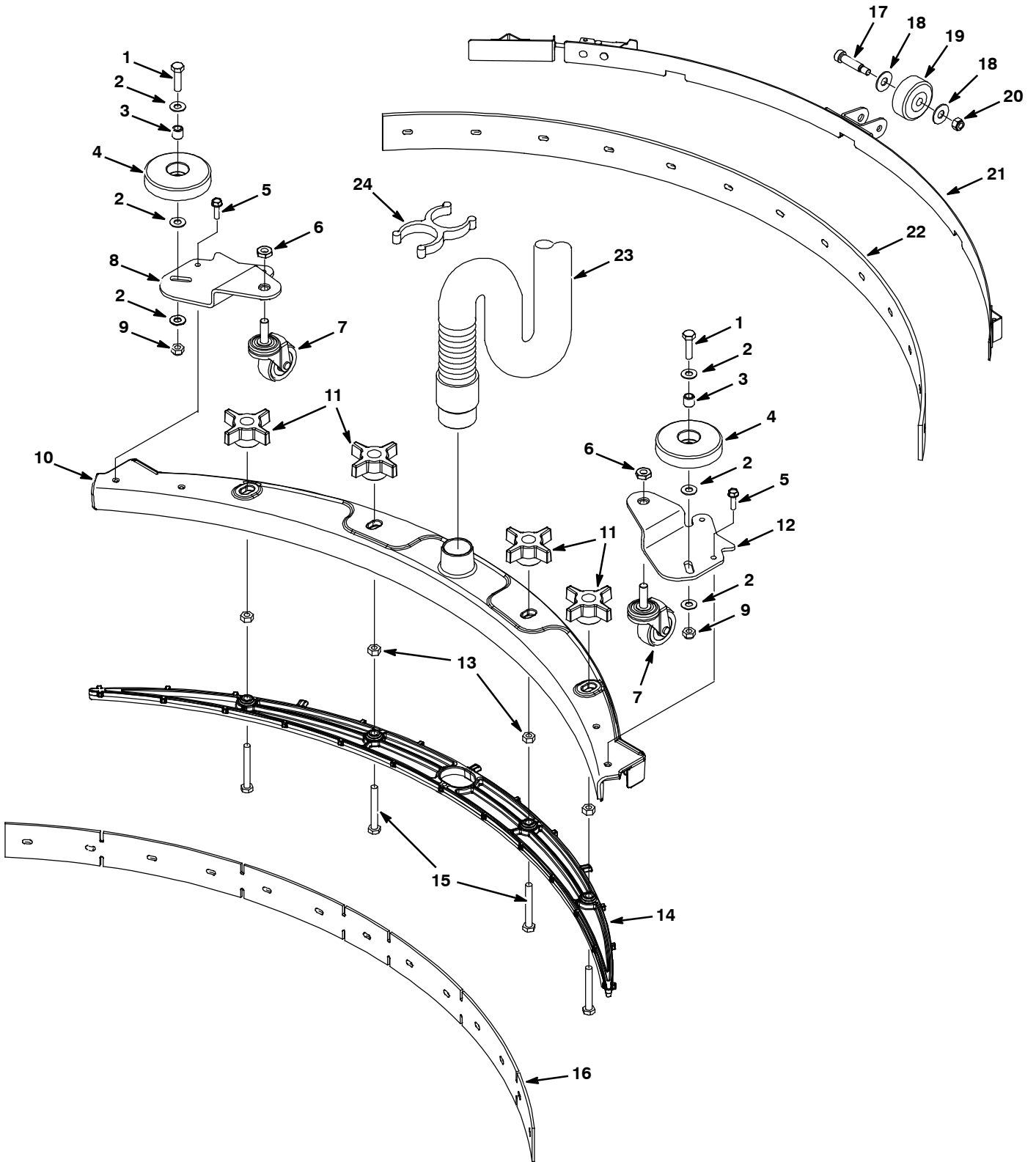
SQUEEGEE GROUP, 20 in / 500 mm

| Ref. | Part No. | Serial Number | Description | Qty. |
|------|------------|---------------|---|------|
| ▽ | 9001178 | (00000000- |) Squeegee Assy Kit, 500mm, Ci | 1 |
| ▲ | 1 08713 | (00000000- |) Nut, Hex, Lock, M8 X 1.25, NI, Ss | 2 |
| ▲ | 2 140027 | (00000000- |) Washer, Flat, 0.35b 0.75d .04, Ss | 4 |
| ▲ | 3 1010560 | (00000000- |) Wheel, Bmpr, 80d X 25w, Non-Marking | 2 |
| ▲ | 4 222460 | (00000000- |) Sleeve, P/M, 0.31b 0.50d 0.5l | 2 |
| ▲ | 5 1011228 | (00000000- |) Plate, Mtg, Caster, Sqge, Rh | 1 |
| ▲ | 6 74455 | (00000000- |) Screw, Hex, M6 X 1.0 X 12, Fmg | 2 |
| ▲ | 7 32716 | (00000000- |) Nut, Hex, Jam, M10 X 1.5, Ss | 2 |
| ▲ | 8 1006343 | (00000000- |) Caster, Swivel, 50mmd, M10 X 30 Stem, PI | 2 |
| ▲ | 9 1010558 | (00000000- |) Knob, Star, 2.00d 4ear 0.7l M8x1.25 Thru | 4 |
| ▲ | 10 1011163 | (00000000- |) Frame, Sqge, 74cm, Die Cast [50cm] | 1 |
| ▲ | 11 09011 | (00000000- |) Screw, Hex, M8 X 1.25 X 30, Ss | 2 |
| ▲ | 12 07786 | (00000000- |) Nut, Hex, Std, M8 X 1.25, Ss | 4 |
| ▲ | 13 1019919 | (00000000- |) Retainer, Sqge, 76cm [50cm] Nyl, Blk | 1 |
| ▲ | 14 1014163 | (00000000- |) Screw, Hex, M8 X 1.25 X 60, FI, Ss | 4 |
| ▲ | 15 1011956 | (00000000- |) Plate, Mtg, Caster, Sqge, Lh | 1 |
| ▲ | 16 1011232 | (00000000- |) Blade, Sqge, Front, 500mml (Linatex Red Standard) | 1 |
| | 16 1014091 | (00000000- |) Blade, Sqge, Front, 500mm, Gum (Gum Rubber Tan Optional) | 1 |
| | 16 1014092 | (00000000- |) Blade, Sqge, Front, 500mml, Oil-Rstn (Polyurethane Natural Optional) | 1 |
| ▲ | 17 1011456 | (00000000- |) Blade, Sqge, Rear, 500mm Linatex (Linatex Red Standard) | 1 |
| | 17 1014093 | (00000000- |) Blade, Sqge, Rear, 500mm Gum (Gum Rubber Tan Optional) | 1 |
| | 17 1014094 | (00000000- |) Blade, Sqge, Rear, 500mm Oil-Rstn (Polyurethane Natural Optional) | 1 |
| ▲ | 18 1013933 | (00000000- |) Strap Assy, Sqge, 500mm | 1 |
| | 19 1014079 | (00000000- |) Clip, Grip, Hose, 1.50id, Dbl, Blk Pyp | 1 |
| | 20 1014026 | (00000000- |) Hose, Vacuum, 1.5d X 57l, 2-Short Cuffs | 1 |

▽ ASSEMBLY

▲ INCLUDED IN ASSEMBLY

SQUEEGEE GROUP, 24 in / 600 mm



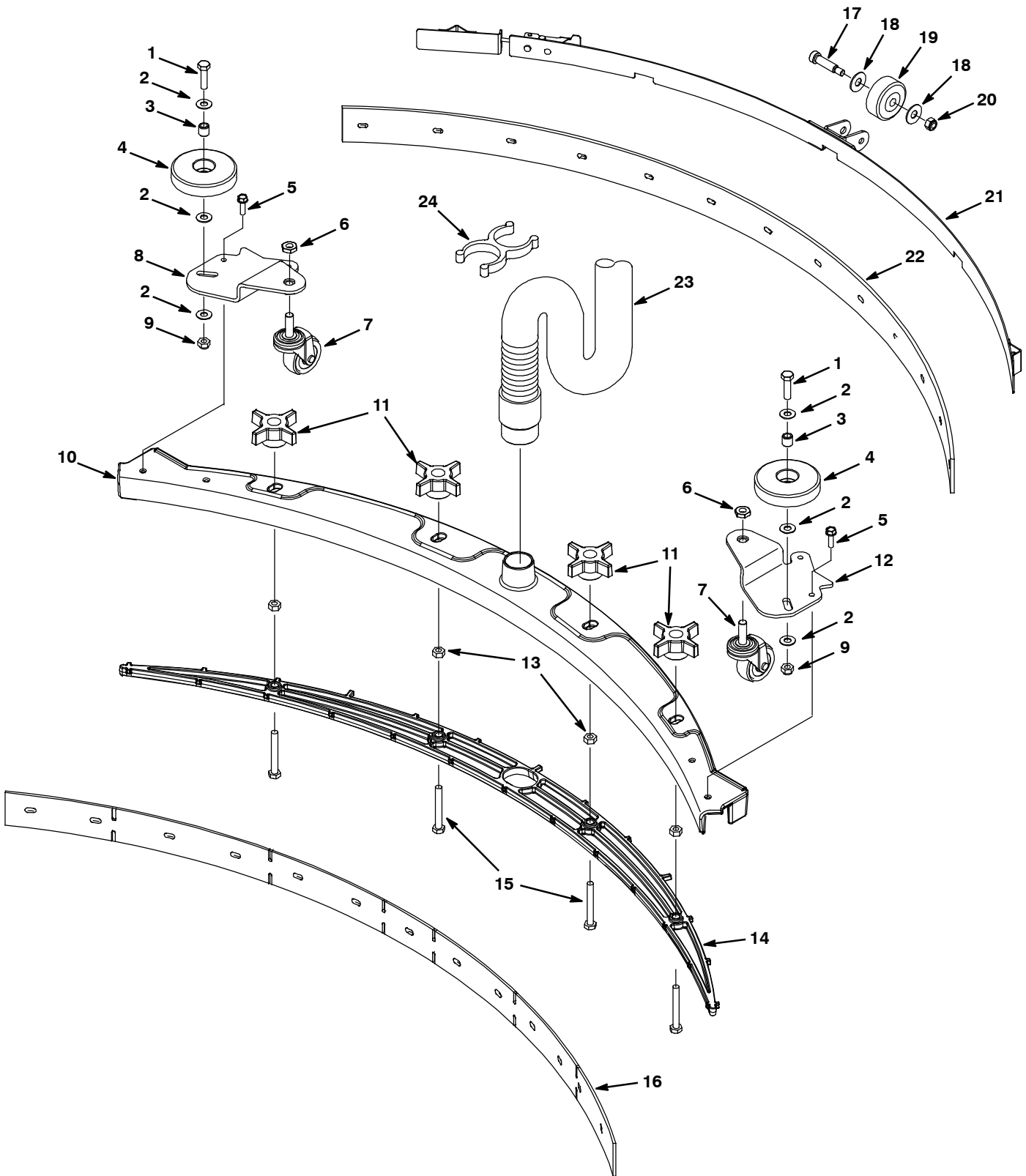
SQUEEGEE GROUP, 24 in / 600 mm

| Ref. | Part No. | Serial Number | Description | Qty. |
|------|------------|---------------|--|------|
| ▽ | 9002679 | (00000000- |) Kit, Squeegee, 600mm Ci | 1 |
| ▲ | 1 09011 | (00000000- |) Screw, Hex, M8 X 1.25 X 30, Ss | 2 |
| ▲ | 2 140027 | (00000000- |) Washer, Flat, 0.35b 0.75d .04, Ss | 6 |
| ▲ | 3 222460 | (00000000- |) Sleeve, P/M, 0.496d 0.318b 0.50l 430ss | 2 |
| ▲ | 4 1010560 | (00000000- |) Wheel, Bmpr, 80d X 25w, Non-Marking | 2 |
| ▲ | 5 12459 | (00000000- |) Screw, Hex, M6 X 1.0 X 20, Fmg | 4 |
| ▲ | 6 32716 | (00000000- |) Nut, Hex, Jam, M10 X 1.5, Ss | 2 |
| ▲ | 7 1006343 | (00000000- |) Caster, Swivel, 50mm D, M10 X 30 Stem,Zn | 2 |
| ▲ | 8 1023273 | (00000000- |) Plate, Caster, Mtg, Sqge, Rh | 1 |
| ▲ | 9 08713 | (00000000- |) Nut, Hex, Lock, M8 X 1.25, NI, Ss | 2 |
| ▲ | 10 1021798 | (00000000- |) Frame, Sqge, 89cm [60cm] | 1 |
| ▲ | 11 1015911 | (00000000- |) Knob, Star, 2.75d 4ear 1.1l M8x1.25 Thru | 4 |
| ▲ | 12 1023291 | (00000000- |) Plate, Caster, Mtg, Sqge, Lh | 1 |
| ▲ | 13 07786 | (00000000- |) Nut, Hex, Std, M8 X 1.25, Ss | 4 |
| ▲ | 14 1026354 | (00000000- |) Retainer , Blade, Sqge, 600mm [Plstc] | 1 |
| ▲ | 15 1014163 | (00000000- |) Screw, Hex, M8 X 1.25 X 60, FI, Ss | 4 |
| ▲ | 16 1021804 | (00000000- |) Blade, Sqge, Front, 88cml [Lnx, 60cm] (Linatex Red Standard) | 1 |
| | 16 1025333 | (00000000- |) Blade, Sqge, Front, 88cml, Gum [60cm] (Gum Rubber Tan Optional) | 1 |
| | 16 1025334 | (00000000- |) Blade, Sqge, Front, 88cml, Ure [60cm] (Polyurethane Natural Optional) | 1 |
| ▲ | 17 600187 | (00000000- |) Bolt, Shld, .38d X 1.25, .31-18 | 1 |
| ▲ | 18 140028 | (00000000- |) Washer, Flat, 0.42b 1.00d .05, Ss | 2 |
| ▲ | 19 630477 | (00000000- |) Wheel, Pyu, 2.0d 0.38w, Gray | 1 |
| ▲ | 20 32983 | (00000000- |) Nut, Hex, Lock, .31-18, NI | 1 |
| ▲ | 21 1022456 | (00000000- |) Retainer Assy, Blade, Sqge, 600mm | 1 |
| ▲ | 22 1021333 | (00000000- |) Blade, Sqge, Rear, 88cm,Linatex[60cm] (Linatex Red Standard) | 1 |
| | 22 1025335 | (00000000- |) Blade, Sqge, Rear, 88cml, Gum [60cm] (Gum Rubber Tan Optional) | 1 |
| | 22 1025336 | (00000000- |) Blade, Sqge, Rear, 88cm, Ure [60cm] (Polyurethane Natural Optional) | 1 |
| | 23 1014026 | (00000000- |) Hose, Vacuum, 1.5d X 57l, 2-Short Cuffs | 1 |
| | 24 1014079 | (00000000- |) Clip, Hose, Gripper, 1.50id, Dbl, Blk Pp | 1 |

▽ ASSEMBLY

▲ INCLUDED IN ASSEMBLY

SQUEEGEE GROUP, 26 in / 650 mm & 28 in / 700 mm



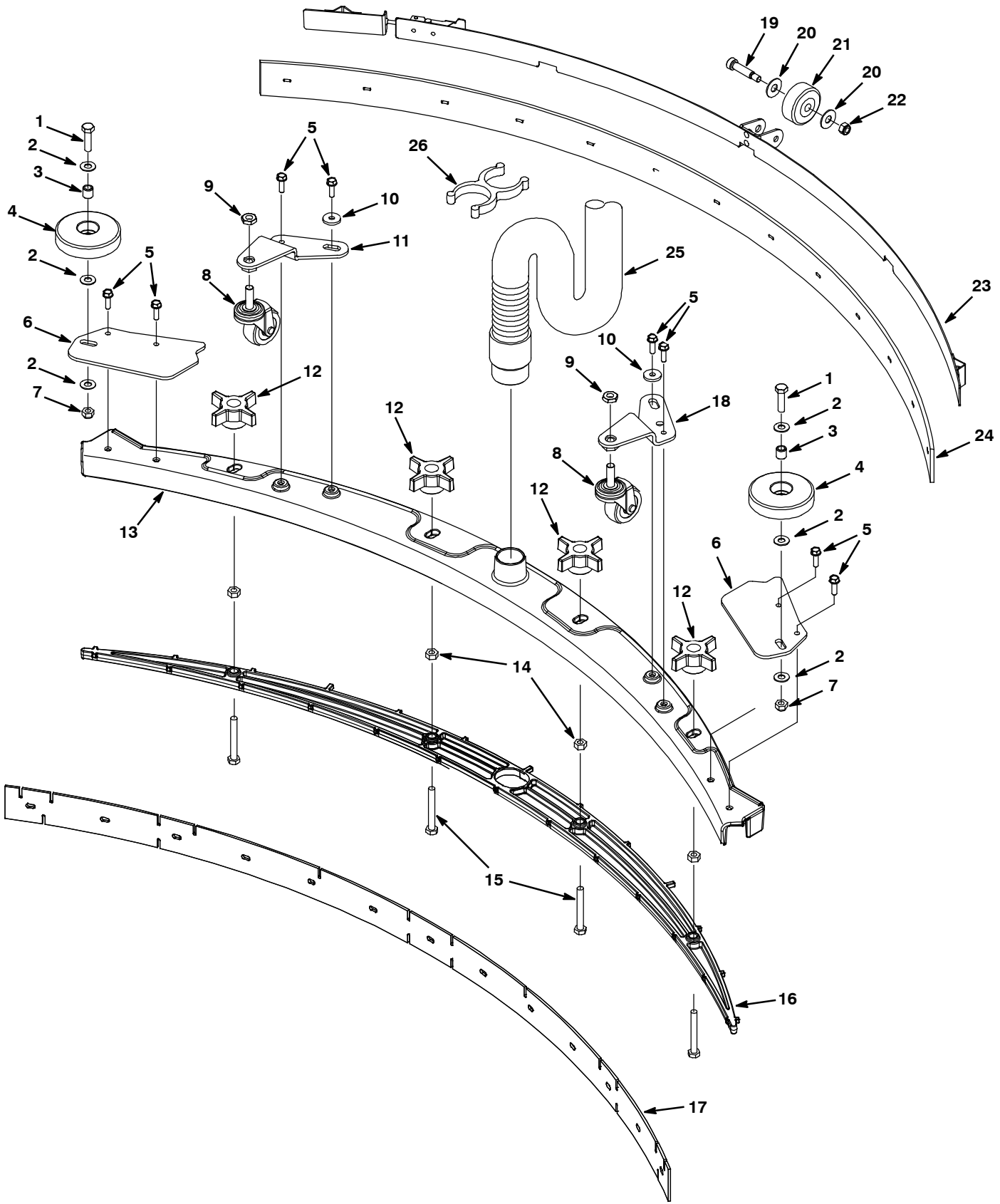
SQUEEGEE GROUP, 26 in / 650 mm & 28 in / 700 mm

| Ref. | Part No. | Serial Number | Description | Qty. |
|------|------------|---------------|--|------|
| ▽ | 9002680 | (00000000- |) Kit, Squeegee, 700mm Ci | 1 |
| ▲ | 1 09011 | (00000000- |) Screw, Hex, M8 X 1.25 X 30, Ss | 2 |
| ▲ | 2 140027 | (00000000- |) Washer, Flat, 0.35b 0.75d .04, Ss | 6 |
| ▲ | 3 222460 | (00000000- |) Sleeve, P/M, 0.496d 0.318b 0.50l 430ss | 2 |
| ▲ | 4 1010560 | (00000000- |) Wheel, Bmpr, 80d X 25w, Non-Marking | 2 |
| ▲ | 5 12459 | (00000000- |) Screw, Hex, M6 X 1.0 X 20, Fmg | 4 |
| ▲ | 6 32716 | (00000000- |) Nut, Hex, Jam, M10 X 1.5, Ss | 2 |
| ▲ | 7 1006343 | (00000000- |) Caster, Swivel, 50mm D, M10 X 30 Stem,Zn | 2 |
| ▲ | 8 1023273 | (00000000- |) Plate, Caster, Mtg, Sqge, Rh | 1 |
| ▲ | 9 08713 | (00000000- |) Nut, Hex, Lock, M8 X 1.25, NI, Ss | 2 |
| ▲ | 10 1023326 | (00000000- |) Frame, Sqge, 104cm [70cm] | 1 |
| ▲ | 11 1015911 | (00000000- |) Knob, Star, 2.75d 4ear 1.1l M8x1.25 Thru | 4 |
| ▲ | 12 1023291 | (00000000- |) Plate, Caster, Mtg, Sqge, Lh | 1 |
| ▲ | 13 07786 | (00000000- |) Nut, Hex, Std, M8 X 1.25, Ss | 4 |
| ▲ | 14 1026416 | (00000000- |) Retainer, Blade, Sqge, 700mm [Plstc] | 1 |
| ▲ | 15 1014163 | (00000000- |) Screw, Hex, M8 X 1.25 X 60, Fl, Ss | 4 |
| ▲ | 16 1023327 | (00000000- |) Blade, Sqge, Front, 98cml [Lnx, 70cm] (Linatex Red Standard) | 1 |
| | 16 1025337 | (00000000- |) Blade, Sqge, Front, 98cml, Gum [70cm] (Gum Rubber Tan Optional) | 1 |
| | 16 1025339 | (00000000- |) Blade, Sqge, Front, 98cml, Ure [70cm] (Polyurethane Natural Optional) | 1 |
| ▲ | 17 600187 | (00000000- |) Bolt, Shld, .38d X 1.25, .31-18 | 1 |
| ▲ | 18 140028 | (00000000- |) Washer, Flat, 0.42b 1.00d .05, Ss | 2 |
| ▲ | 19 630477 | (00000000- |) Wheel, Pyu, 2.0d 0.38w, Gray | 1 |
| ▲ | 20 32983 | (00000000- |) Nut, Hex, Lock, .31-18, NI | 1 |
| ▲ | 21 1023335 | (00000000- |) Bracket Wldt, Sqge, Band Clamp, 98cm | 1 |
| ▲ | 22 1023329 | (00000000- |) Blade, Sqge, Rear, 98cm,Linatex[70cm] (Linatex Red Standard) | 1 |
| | 22 1025340 | (00000000- |) Blade, Sqge, Rear, 98cml, Gum [70cm] (Gum Rubber Tan Optional) | 1 |
| | 22 1025341 | (00000000- |) Blade, Sqge, Rear, 98cm, Ure [70cm] (Polyurethane Natural Optional) | 1 |
| | 23 1014026 | (00000000- |) Hose, Vacuum, 1.5d X 57l, 2-Short Cuffs | 1 |
| | 24 1014079 | (00000000- |) Clip, Hose, Gripper, 1.50id, Dbl, Blk Pp | 1 |

▽ ASSEMBLY

▲ INCLUDED IN ASSEMBLY

SQUEEGEE GROUP, 32 in / 800 mm



SQUEEGEE GROUP, 32 in / 800 mm

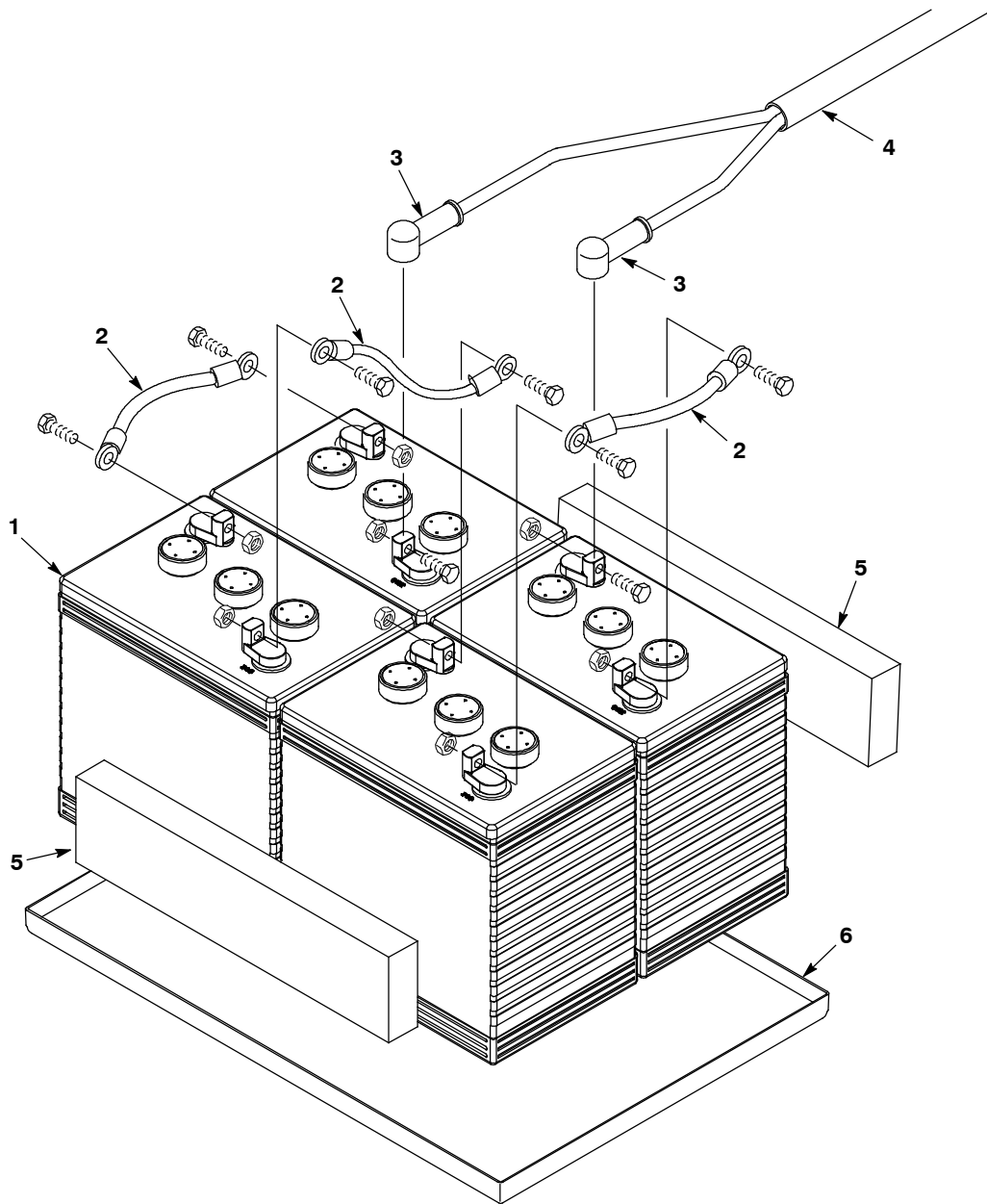
| Ref. | Part No. | Serial Number | Description | Qty. |
|------|------------|---------------|--|------|
| ▽ | 9002681 | (00000000- |) Kit, Squeegee, 800mm Ci | 1 |
| ▲ | 1 09011 | (00000000- |) Screw, Hex, M8 X 1.25 X 30, Ss | 2 |
| ▲ | 2 140027 | (00000000- |) Washer, Flat, 0.35b 0.75d .04, Ss | 6 |
| ▲ | 3 222460 | (00000000- |) Sleeve, P/M, 0.496d 0.318b 0.50l 430ss | 2 |
| ▲ | 4 1010560 | (00000000- |) Wheel, Bmpr, 80d X 25w, Non-Marking | 2 |
| ▲ | 5 12459 | (00000000- |) Screw, Hex, M6 X 1.0 X 20, Fmg | 8 |
| ▲ | 6 1023426 | (00000000- |) Bracket, Mtg, Sqge Bumper | 2 |
| ▲ | 7 08713 | (00000000- |) Nut, Hex, Lock, M8 X 1.25, NI, Ss | 2 |
| ▲ | 8 1006343 | (00000000- |) Caster, Swivel, 50mm D, M10 X 30 Stem,Zn | 2 |
| ▲ | 9 32716 | (00000000- |) Nut, Hex, Jam, M10 X 1.5, Ss | 2 |
| ▲ | 10 140053 | (00000000- |) Washer, Flat, 0.28b 0.88d .12, Ss | 2 |
| ▲ | 11 1011228 | (00000000- |) Plate, Mtg, Caster, Sqge, Rh | 1 |
| ▲ | 12 1015911 | (00000000- |) Knob, Star, 2.75d 4ear 1.1l M8x1.25 Thru | 4 |
| ▲ | 13 1023396 | (00000000- |) Frame, Sqge, 117cm [80cm] | 1 |
| ▲ | 14 07786 | (00000000- |) Nut, Hex, Std, M8 X 1.25, Ss | 4 |
| ▲ | 15 1014163 | (00000000- |) Screw, Hex, M8 X 1.25 X 60, Fl, Ss | 4 |
| ▲ | 16 1024970 | (00000000- |) Retainer, Blade, Sqge, 800mm [Plstc] | 1 |
| ▲ | 17 1023398 | (00000000- |) Blade, Sqge, Front, 105cm [Linx 80cm] (Linatex Red Standard) | 1 |
| | 17 1025342 | (00000000- |) Blade, Sqge, Front, 105cml, Gum[80cm] (Gum Rubber Tan Optional) | 1 |
| | 17 1025343 | (00000000- |) Blade, Sqge, Front, 105cm, Ure [80cm] (Polyurethane Natural Optional) | 1 |
| ▲ | 18 1011956 | (00000000- |) Plate, Mtg, Caster, Sqge, Lh | 1 |
| ▲ | 19 600187 | (00000000- |) Bolt, Shld, .38d X 1.25, .31-18 | 1 |
| ▲ | 20 140028 | (00000000- |) Washer, Flat, 0.42b 1.00d .05, Ss | 2 |
| ▲ | 21 630477 | (00000000- |) Wheel, Pyu, 2.0d 0.38w, Gray | 1 |
| ▲ | 22 32983 | (00000000- |) Nut, Hex, Lock, .31-18, NI | 1 |
| ▲ | 23 1023400 | (00000000- |) Retainer Assy, Blade, Sqge, 800mm | 1 |
| ▲ | 24 1023399 | (00000000- |) Blade, Sqge, Rear, 105cml[Linx, 80cm] (Linatex Red Standard) | 1 |
| | 24 1025344 | (00000000- |) Blade, Sqge, Rear, 105cml, Gum [80cm] (Gum Rubber Tan Optional) | 1 |
| | 24 1025346 | (00000000- |) Blade, Sqge, Rear, 105cml, Ure [80cm] (Polyurethane Natural Optional) | 1 |
| | 25 1014026 | (00000000- |) Hose, Vacuum, 1.5d X 57l, 2-Short Cuffs | 1 |
| | 26 1014079 | (00000000- |) Clip, Hose, Gripper, 1.50id, Dbl, Blk Pp | 1 |

▽ ASSEMBLY

▲ INCLUDED IN ASSEMBLY

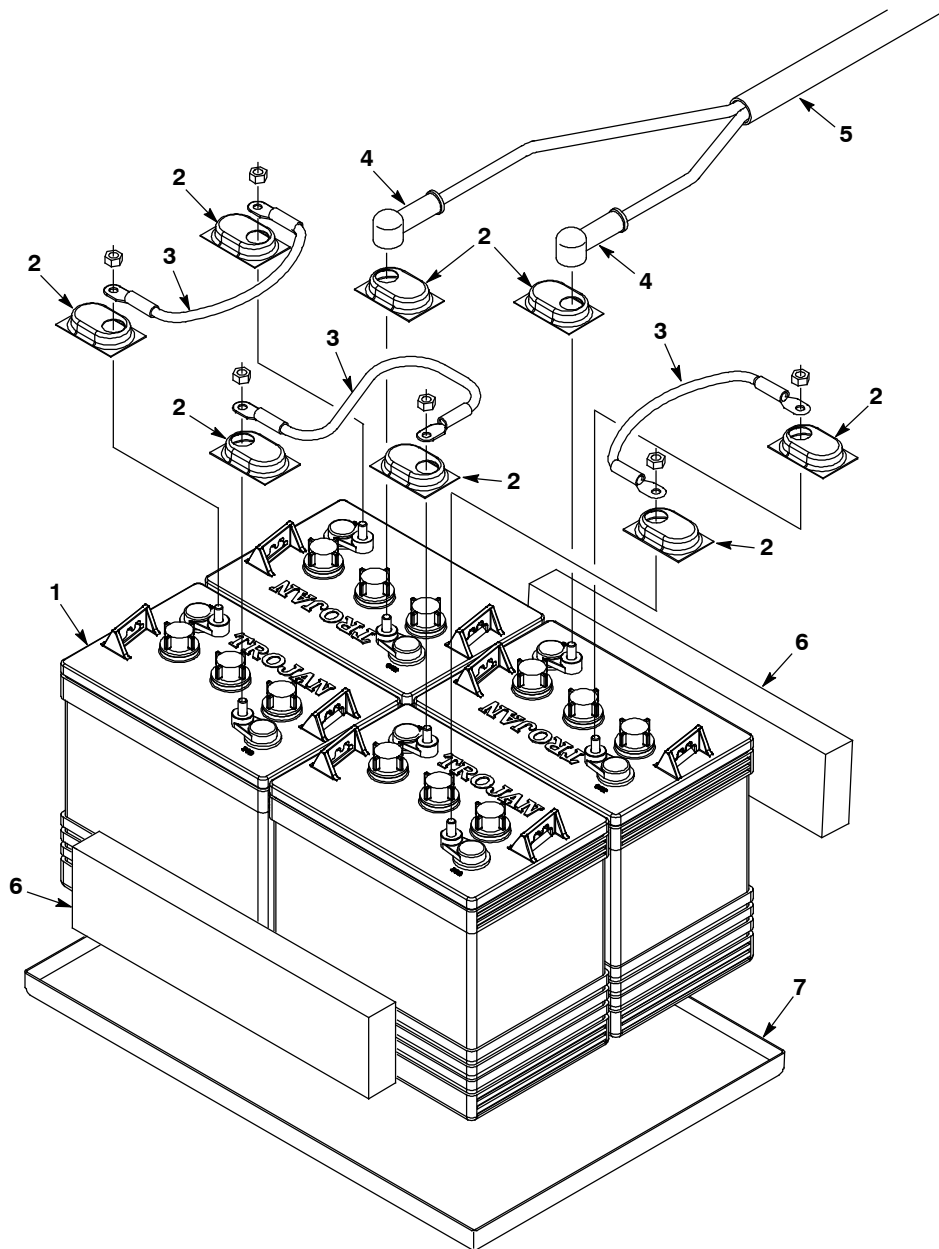
STANDARD PARTS

BATTERY GROUP, MAINTENANCE FREE 200 Ah



| Ref. | Part No. | Serial Number | Description | Qty. |
|------|----------|---------------|--|------|
| 1 | 1021446 | (00000000-) | Battery, 6v, 200ah Agm | 4 |
| 2 | 130364 | (00000000-) | Cable, 06ga 15.0l Blk .31ring /.38ring | 3 |
| 3 | 611221 | (00000000-) | Boot, Terminal, Battery, 25.4mm, Blk | 8 |
| 4 | 1027088 | (00000000-) | Harness, Battery | 1 |
| 5 | 630375 | (00000000-) | Spacer, Battery, 1.25 X 3.25 X 13.7 Foam | 2 |
| 6 | 613971 | (00000000-) | Tray, Battery, Trimmed | 1 |

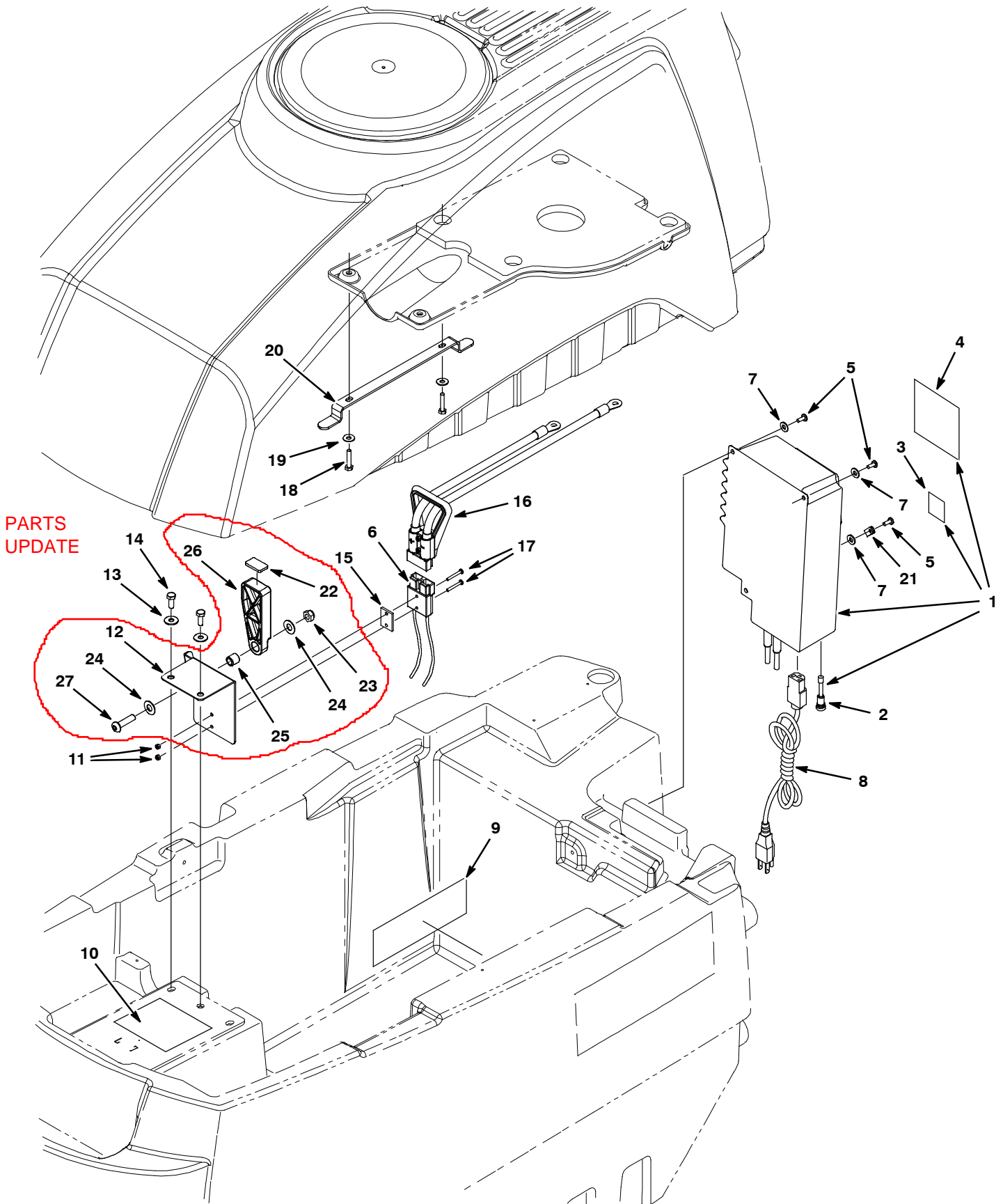
BATTERY GROUP, LEAD-ACID 235 Ah



| Ref. | Part No. | Serial Number | Description | Qty. |
|------|----------|---------------|--|------|
| 1 | 222280 | (00000000- |) Battery, 06vdc, 235ah, Wet | 4 |
| 2 | 45962 | (00000000- |) Cap, Plstc, .04 1.38 X 2.30 0.5l (Tall Clear - Standard) | 8 |
| 2 | 1041030 | (00000000- |) Cap, Battery (Short Black - Optional) | 8 |
| 3 | 130364 | (00000000- |) Cable, 06ga 15.0l Blk .31ring /.38ring | 3 |
| 4 | 611221 | (00000000- |) Boot, Terminal, Battery, 25.4mm, Blk | 8 |
| 5 | 1027088 | (00000000- |) Harness, Battery | 1 |
| 6 | 630375 | (00000000- |) Spacer, Battery, 1.25 X 3.25 X 13.7 Foam | 2 |
| 7 | 613971 | (00000000- |) Tray, Battery, Trimmed | 1 |

STANDARD PARTS

ON-BOARD CHARGER GROUP - 120V (S/N 10409250-)



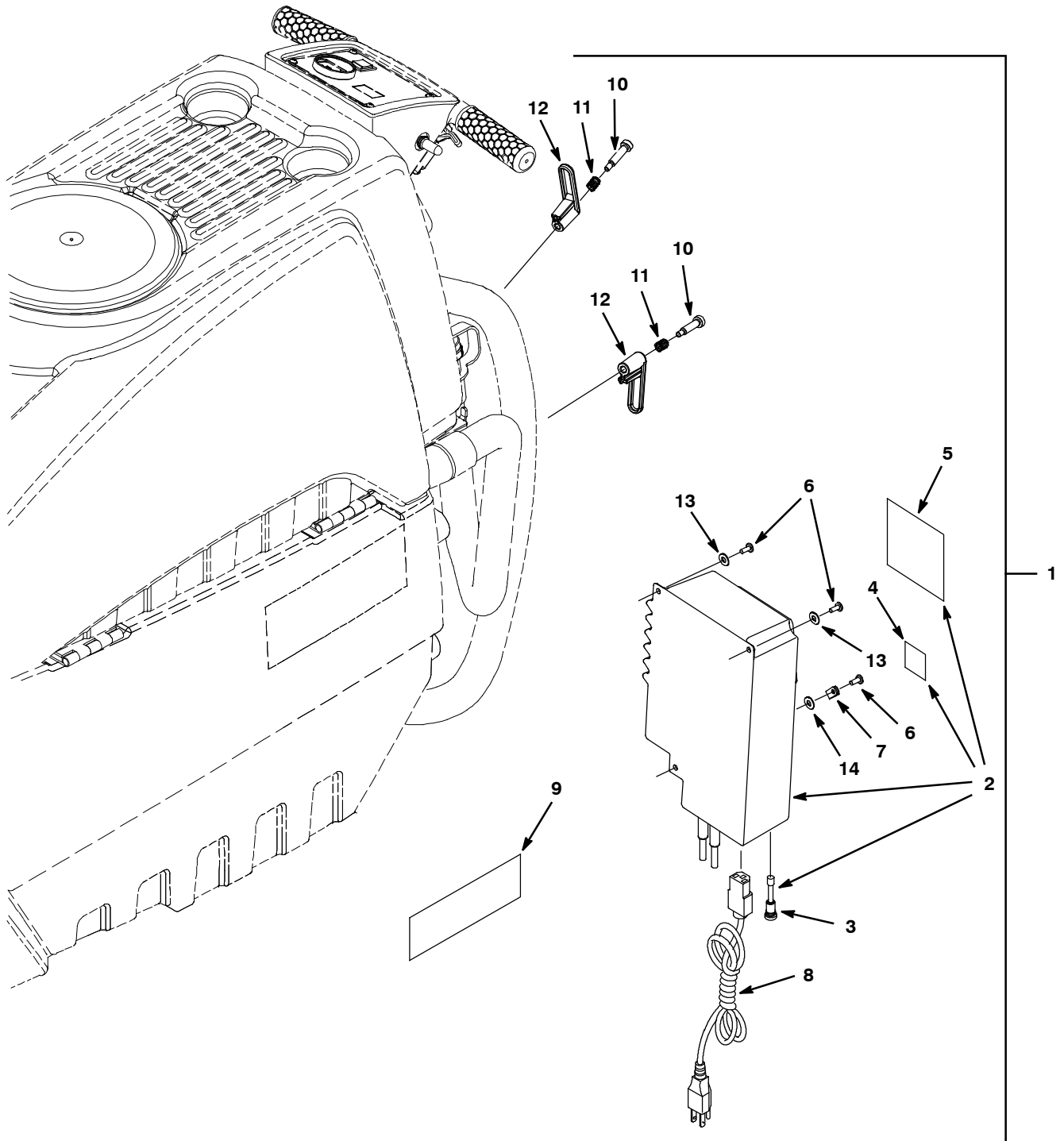
ON-BOARD CHARGER GROUP - 120V (S/N 10409250-)

| Ref. | Part No. | Serial Number | Description | Qty. |
|------|-------------|---------------|---|------|
| ▽ | 9005738 | (10409250- |) Charger Kit, 24vdc, 120vac, Ci [Ss5] | 1 |
| ▲▽ | 1 1050399 | (10409250- |) Charger, 120vac [Onboard] | 1 |
| ▲▲ | 2 1030692 | (00000000- |) Vr, Fuse, 15a, Replmt | 1 |
| ▲▲ | 3 578768 | (00000000- |) Label, Hzrd, [Hazardous Voltage] Txtls | 1 |
| ▲▲ | 4 1025158 | (00000000- |) Label, Charger, Afmkt | 1 |
| ▲▲ | 5 578144000 | (00000000- |) Screw, Pan, M5 X 0.80 X 16, Pozi, Ss | 3 |
| ▲▲ | 6 605387 | (00000000- |) Connector, Anderson, 050a, Red [W/O Con] | 2 |
| ▲ | 7 01684 | (00000000- |) Washer, Flat, 0.27b 0.69d .05, Ss | 1 |
| ▲ | 8 1025642 | (00000000- |) Cord, Power, 16/3, 4.5 Meters, Blk [Us] | 1 |
| ▲ | 9 1028175 | (00000000- |) Label, Instr [Charger Setting] | 1 |
| ▲ | 10 1051362 | (10409250- |) Label, Instr, Charge | 1 |
| ▲ | 11 579211 | (10409250- |) Nut, Hex, Lock, M3 X 0.50, NI, Ss | 2 |
| ▲ | 12 1049592 | (10409250- |) Bracket, Mtg | 1 |
| ▲ | 13 01684 | (10409250- |) Washer, Flat, 0.27b 0.69d .05, Ss | 2 |
| ▲ | 14 11329 | (10409250- |) Screw, Hex, M6 X 1.00 X 16, NI, Ss | 2 |
| ▲ | 15 603331 | (10409250- |) Spacer, Plug, Chrgr | 1 |
| ▲▽ | 16 1049591 | (10409250- |) Harness, Cable, Battery, W/ Handle | 1 |
| ▲▲ | 1049583 | (10409250- |) Handle, Connector [Anderson Smh] (Includes Mtg Hardware) | 1 |
| ▲▲ | 605387 | (10409250- |) Connector, Anderson, 050a, Red [W/O Con] | 1 |
| ▲ | 17 33933 | (10409250- |) Screw, Pan, Phl, M3 X 0.50 X 25, Ss | 2 |
| ▲ | 18 06945 | (10409250- |) Screw, Hex, M6 X 1.00 X 30, 8.8 | 2 |
| ▲ | 19 01684 | (10409250- |) Washer, Flat, 0.27b 0.69d .05, Ss | 2 |
| ▲ | 20 1049610 | (10409250- |) Hook, Cord | 1 |
| ▲ | 21 26395-2 | (00000000- |) Clamp, Cable, Stl, 0.38d X 0.38w, 1h | 1 |
| ▲ | 22 1032763 | (10558135- |) Gasket, Stand, Support | 1 |
| ▲ | 23 08713 | (10558135- |) Nut, Hex, Lock, M8 X 1.25, NI, Ss | 1 |
| ▲ | 24 140027 | (10558135- |) Washer, Flat, 0.35b 0.75d .04, Ss | 2 |
| ▲ | 25 222460 | (10558135- |) Sleeve, P/M, 0.32b 0.50d 0.5l [430ss] | 1 |
| ▲ | 26 1022399 | (10558135- |) Support, Tank, Prop, Blk, Nyl | 1 |
| ▲ | 27 1039118 | (10558135- |) Screw, Btn, M8 X 1.25 X 30, Blk | 1 |

▽ ASSEMBLY

▲ INCLUDED IN ASSEMBLY

ON-BOARD CHARGER GROUP - 120V (S/N 0000000-10409249)

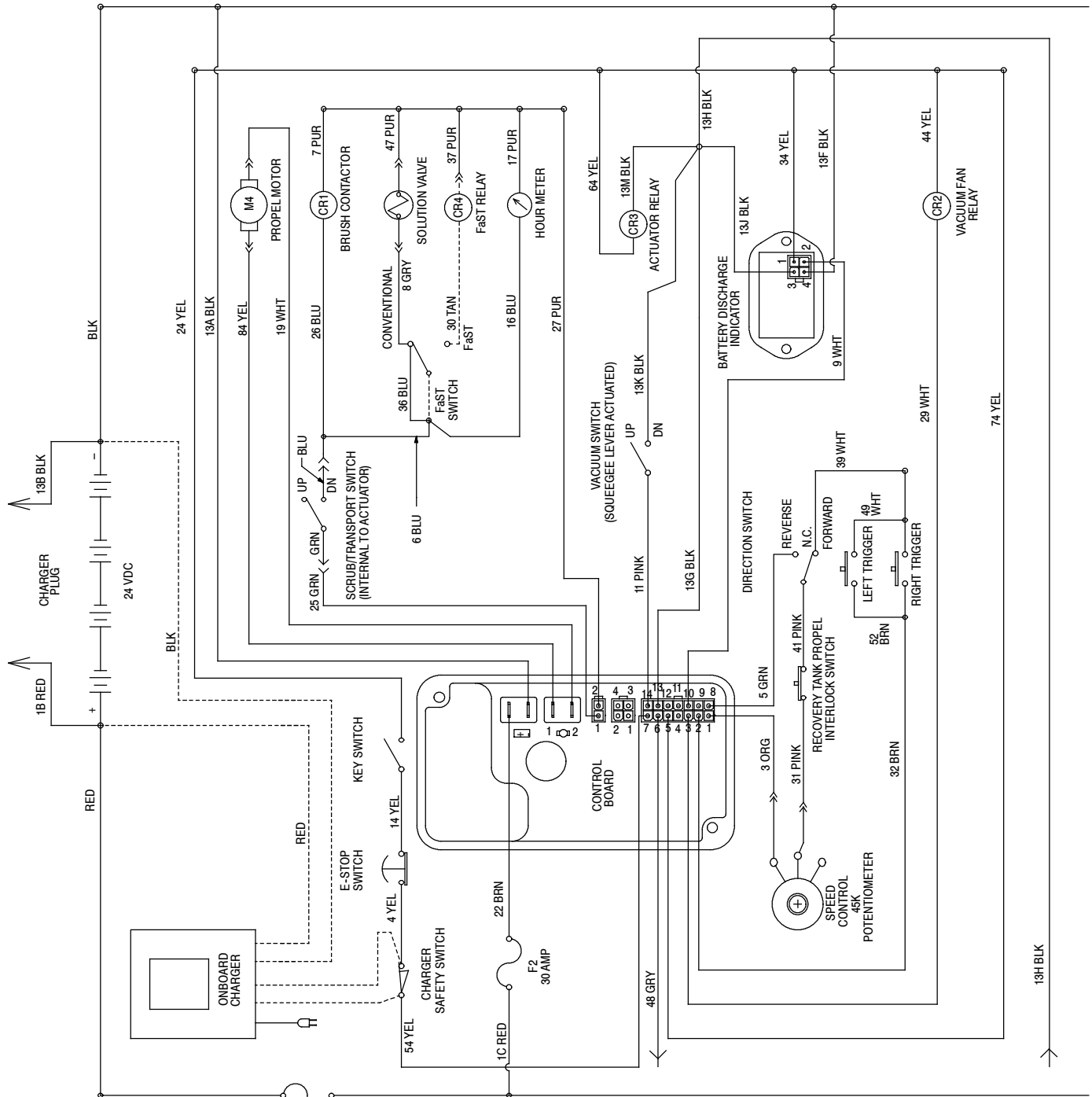


ON-BOARD CHARGER GROUP - 120V (S/N 00000000-10409249)

| Ref. | Part No. | Serial Number | Description | Qty. |
|------|-----------|----------------------|---|------|
| 1 | N/A | (00000000-10409249) | Charger Kit, Battery, Ci [120v Ss T5e] (Replaced By Kit 9005738) | 1 |
| 2 | N/A | (00000000-10409249) | Charger, 120vac [Onboard] (Replaced By Kit 9005738) | 1 |
| 3 | 1030692 | (00000000- |) Vr, Fuse, 15a, Replmt | 1 |
| 4 | 578768 | (00000000- |) Label, Hzrd, [Hazardous Voltage] Txtls | 1 |
| 5 | 1025158 | (00000000- |) Label, Charger, Afmkt | 1 |
| 6 | 578144000 | (00000000- |) Screw, Pan, M5 X 0.80 X 16, Pozi, Ss | 3 |
| 7 | 26395-2 | (00000000- |) Clamp, Cable, Stl, 0.38d X 0.38w, 1h | 1 |
| 8 | 1025642 | (00000000- |) Cord, Power, 16/3 X 4.5 Meters, Blk [Us] | 1 |
| 9 | 1028175 | (00000000- |) Label, Instr [Charger Setting] | 1 |
| 10 | 1024965 | (00000000- |) Bolt, Shld, 8mmd X 30, M6x1.0 | 2 |
| 11 | 611311 | (00000000- |) Spring, Cmpr, 10.9d, 1.1w, 12.7l Mw Zn | 2 |
| 12 | 610906 | (00000000- |) Hook, Cord Viper | 2 |
| 13 | 01683 | (00000000- |) Washer, Flat, 10, Ss | 2 |
| 14 | 01684 | (00000000- |) Washer, Flat, 0.27b 0.69d .05, Ss | 1 |

ELECTRICAL DIAGRAM, STANDARD & FaST MODEL

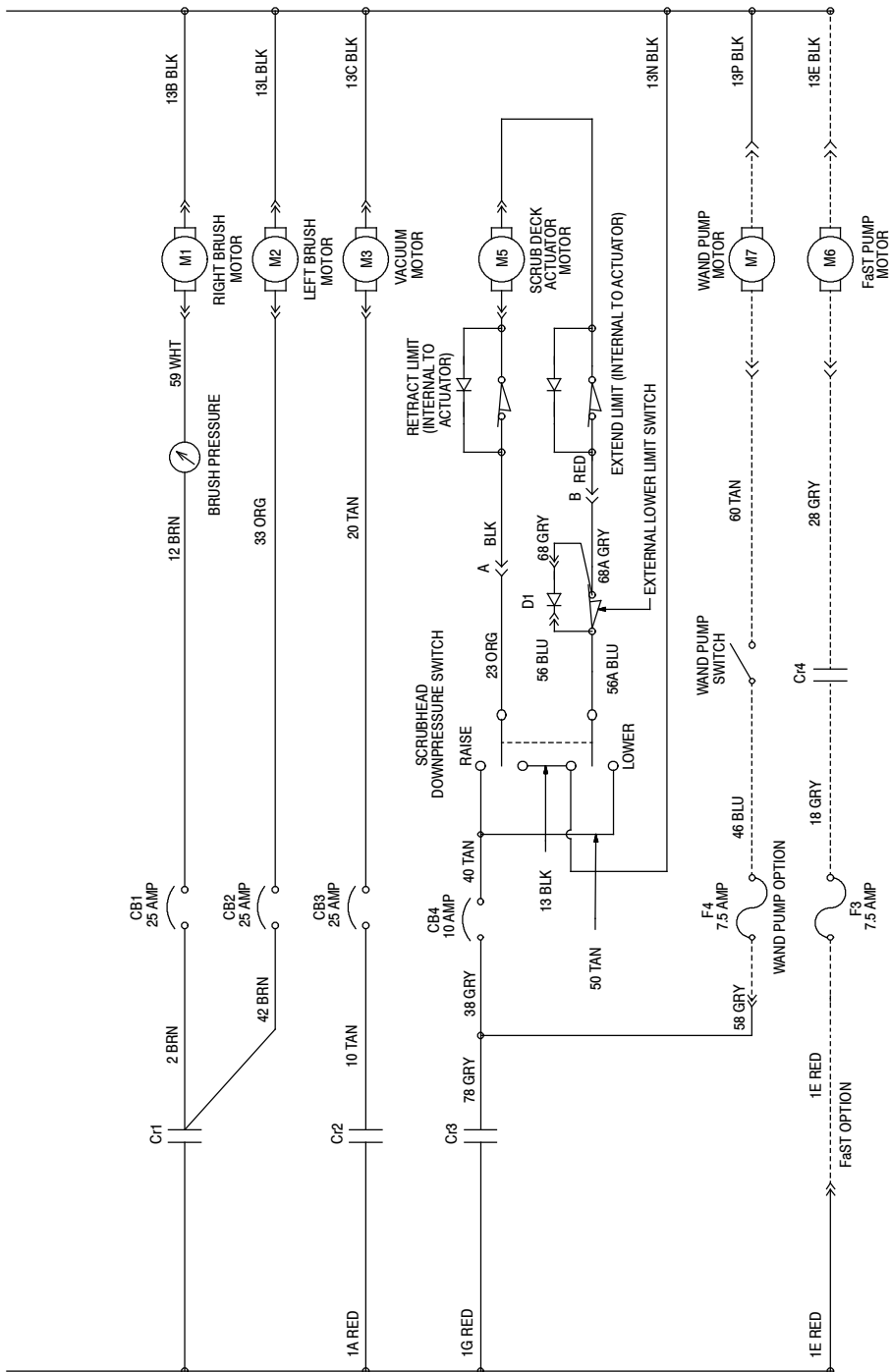
1020931



NOTES:
 CHARGER PLUG HARNESS &
 CHARGER SAFETY SWITCH
 REMOVED WITH ON-BOARD
 CHARGER OPTION.

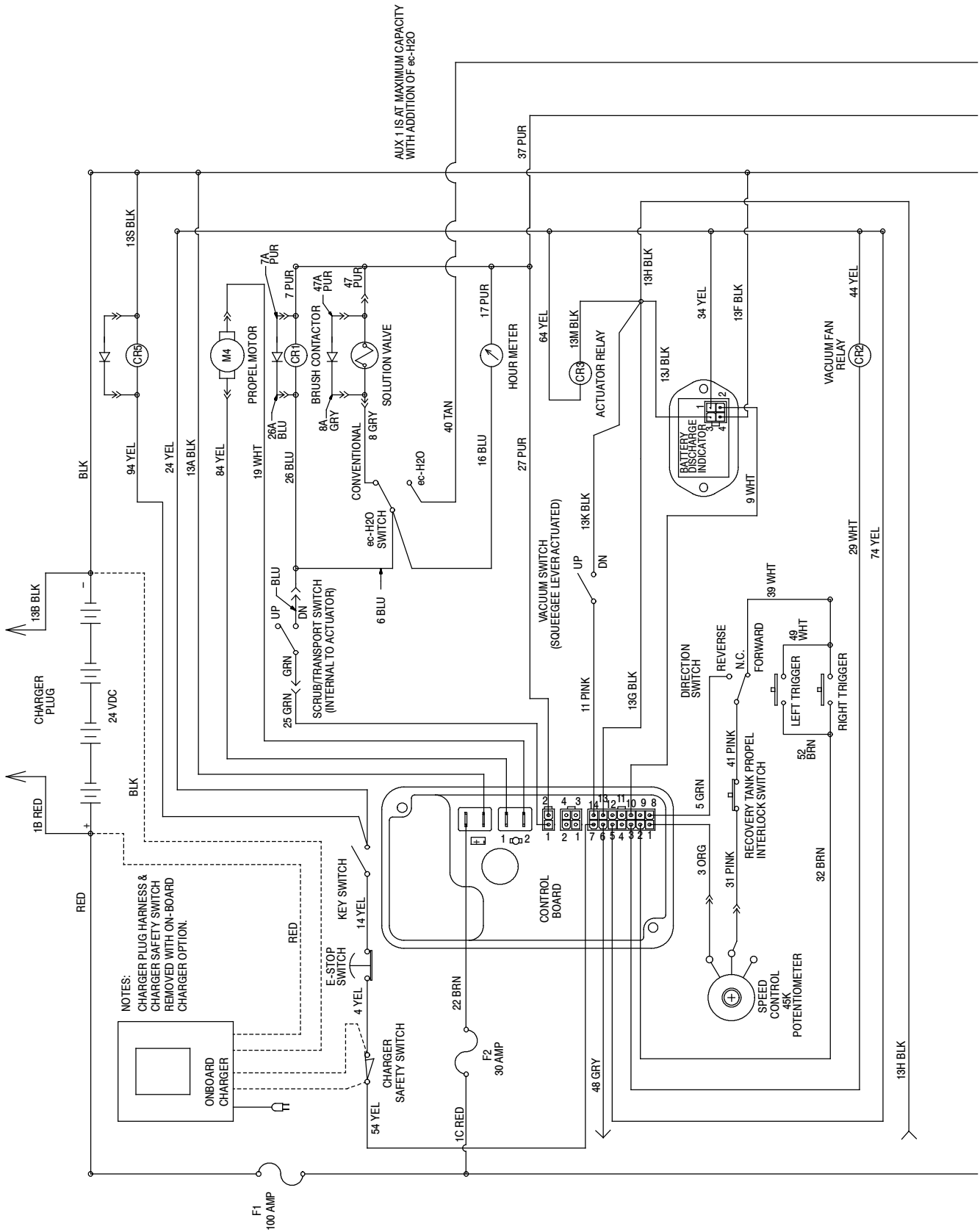
ELECTRICAL DIAGRAM, STANDARD & FaST MODEL

1020931



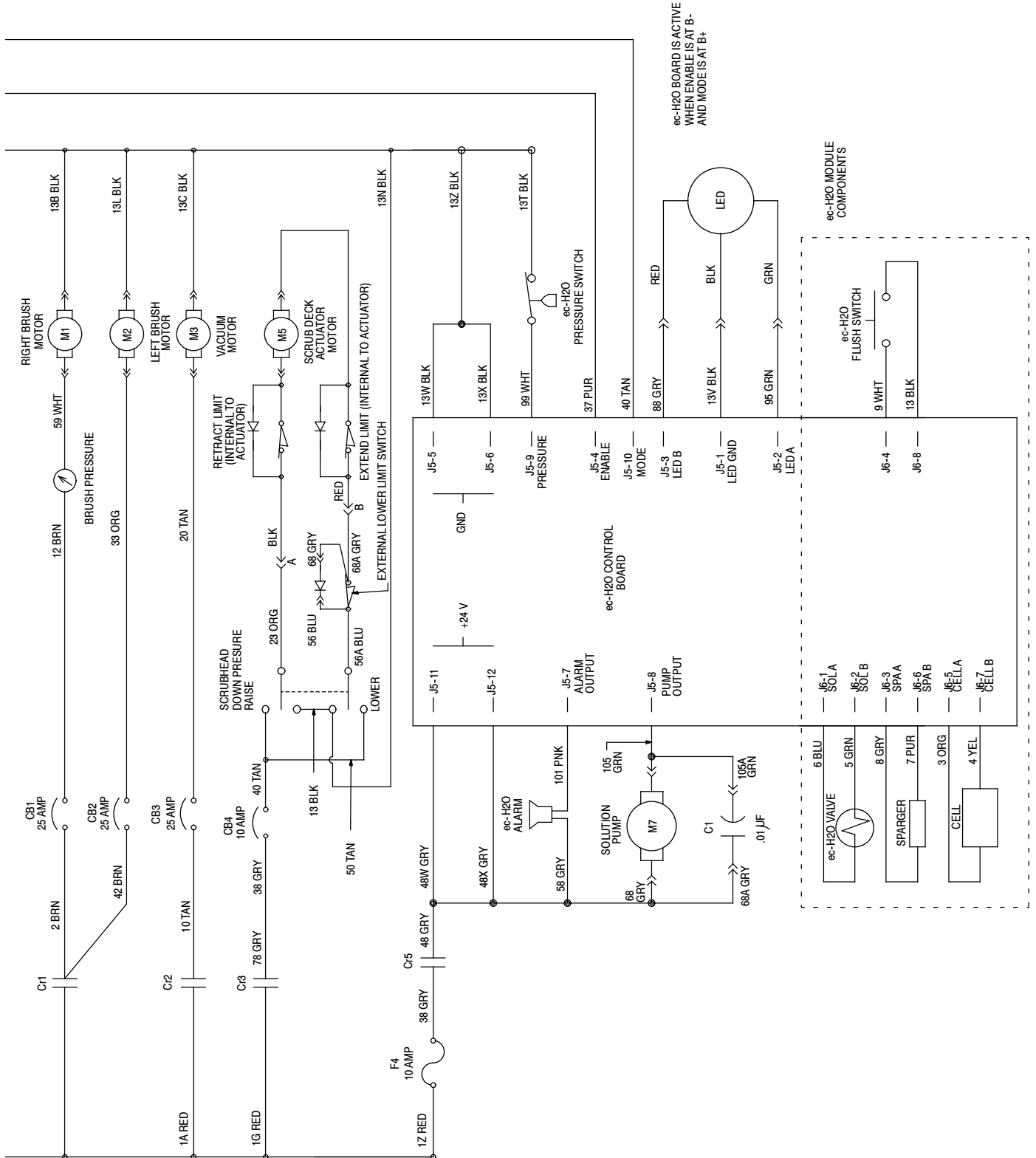
ELECTRICAL DIAGRAM, *ec-H2O* MODEL

1043227



ELECTRICAL DIAGRAM, *ec-H2O* MODEL

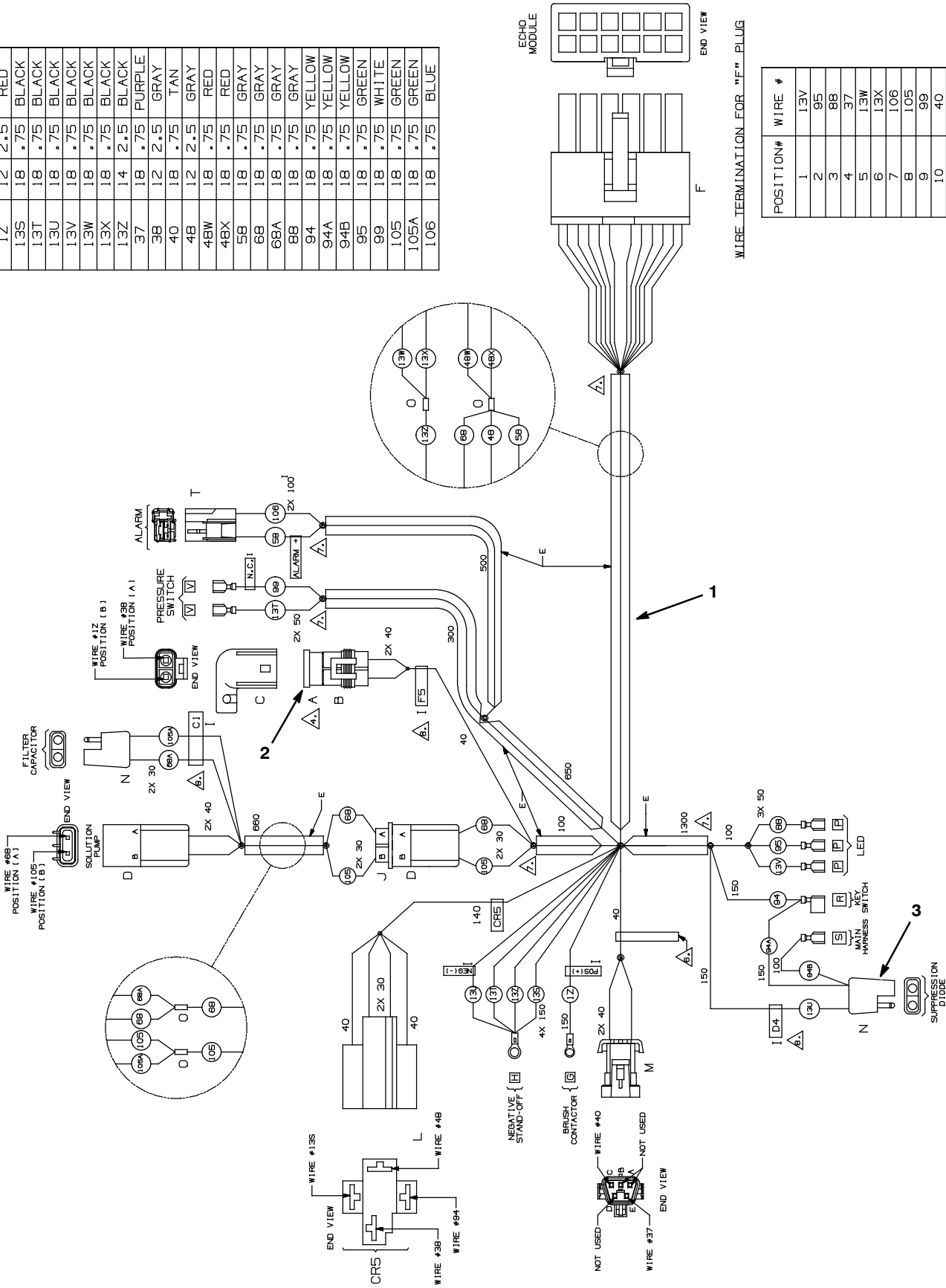
1043227



STANDARD PARTS

WIRE HARNESS GROUP, *ec-H2O* OPTION (S/N 10455033-)

| WIRE No | AWG | mm ² | COLOR |
|---------|-----|-----------------|--------|
| 1Z | 12 | 2.5 | RED |
| 13S | 18 | .75 | BLACK |
| 13T | 18 | .75 | BLACK |
| 13U | 18 | .75 | BLACK |
| 13V | 18 | .75 | BLACK |
| 13W | 18 | .75 | BLACK |
| 13X | 18 | .75 | BLACK |
| 13Z | 14 | 2.5 | BLACK |
| 37 | 18 | .75 | PURPLE |
| 38 | 12 | 2.5 | GRAY |
| 40 | 18 | .75 | TAN |
| 48 | 12 | 2.5 | GRAY |
| 48W | 18 | .75 | RED |
| 48X | 18 | .75 | RED |
| 58 | 18 | .75 | GRAY |
| 68 | 18 | .75 | GRAY |
| 68A | 18 | .75 | GRAY |
| 88 | 18 | .75 | GRAY |
| 94 | 18 | .75 | YELLOW |
| 94A | 18 | .75 | YELLOW |
| 94B | 18 | .75 | YELLOW |
| 95 | 18 | .75 | GREEN |
| 99 | 18 | .75 | WHITE |
| 105A | 18 | .75 | GREEN |
| 106 | 18 | .75 | BLUE |



WIRE TERMINATION FOR "F" PLUG

| POSITION# | WIRE # |
|-----------|--------|
| 1 | 13V |
| 2 | 95 |
| 3 | 88 |
| 4 | 37 |
| 5 | 13W |
| 6 | 13X |
| 7 | 106 |
| 8 | 105 |
| 9 | 99 |
| 10 | 40 |
| 11 | 48W |
| 12 | 48X |

WIRE HARNESS GROUP, *ec-H2O* OPTION (S/N 10455033-)

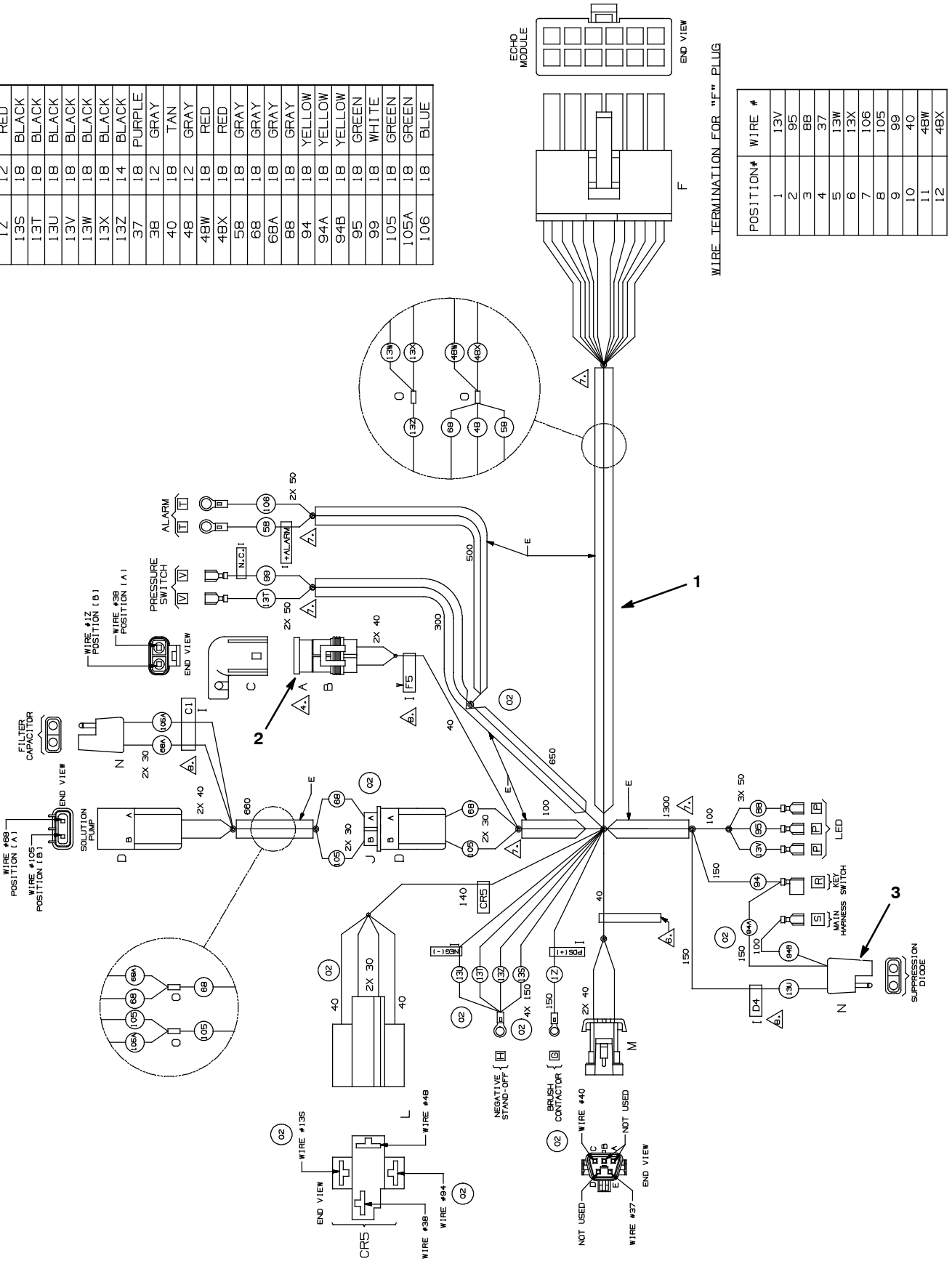
| | Ref. | Part No. | Serial Number | | Description | Qty. |
|---|------|----------|---------------|---|---------------------------------|------|
| ▽ | 1 | 1055447 | (10455033- |) | Harness Assy, Wire [Ss5 Ec-H2o] | 1 |
| ▲ | 2 | 1047470 | (00000000- |) | Fuse, Blade, 010a, 32vdc, Red | 1 |
| ▲ | 3 | 222290 | (00000000- |) | Diode, Ele, Plug | 1 |

▽ ASSEMBLY

▲ INCLUDED IN ASSEMBLY

WIRE HARNESS GROUP, *ec-H2O* OPTION (S/N 0000000-10455032)

| WIRE No | AWG | COLOR |
|---------|-----|--------|
| 1Z | 12 | RED |
| 13S | 18 | BLACK |
| 13T | 18 | BLACK |
| 13U | 18 | BLACK |
| 13V | 18 | BLACK |
| 13W | 18 | BLACK |
| 13X | 18 | BLACK |
| 13Z | 14 | BLACK |
| 37 | 18 | PURPLE |
| 38 | 12 | GRAY |
| 40 | 18 | TAN |
| 48 | 12 | GRAY |
| 48W | 18 | RED |
| 48X | 18 | RED |
| 58 | 18 | GRAY |
| 68 | 18 | GRAY |
| 68A | 18 | GRAY |
| 88 | 18 | GRAY |
| 94 | 18 | YELLOW |
| 94A | 18 | YELLOW |
| 94B | 18 | YELLOW |
| 95 | 18 | GREEN |
| 99 | 18 | WHITE |
| 105 | 18 | GREEN |
| 105A | 18 | GREEN |
| 106 | 18 | BLUE |



WIRE TERMINATION FOR "F" PLUG

| POSITION# | WIRE # |
|-----------|--------|
| 1 | 13V |
| 2 | 95 |
| 3 | 88 |
| 4 | 37 |
| 5 | 13W |
| 6 | 13X |
| 7 | 106 |
| 8 | 105 |
| 9 | 99 |
| 10 | 40 |
| 11 | 48W |
| 12 | 48X |

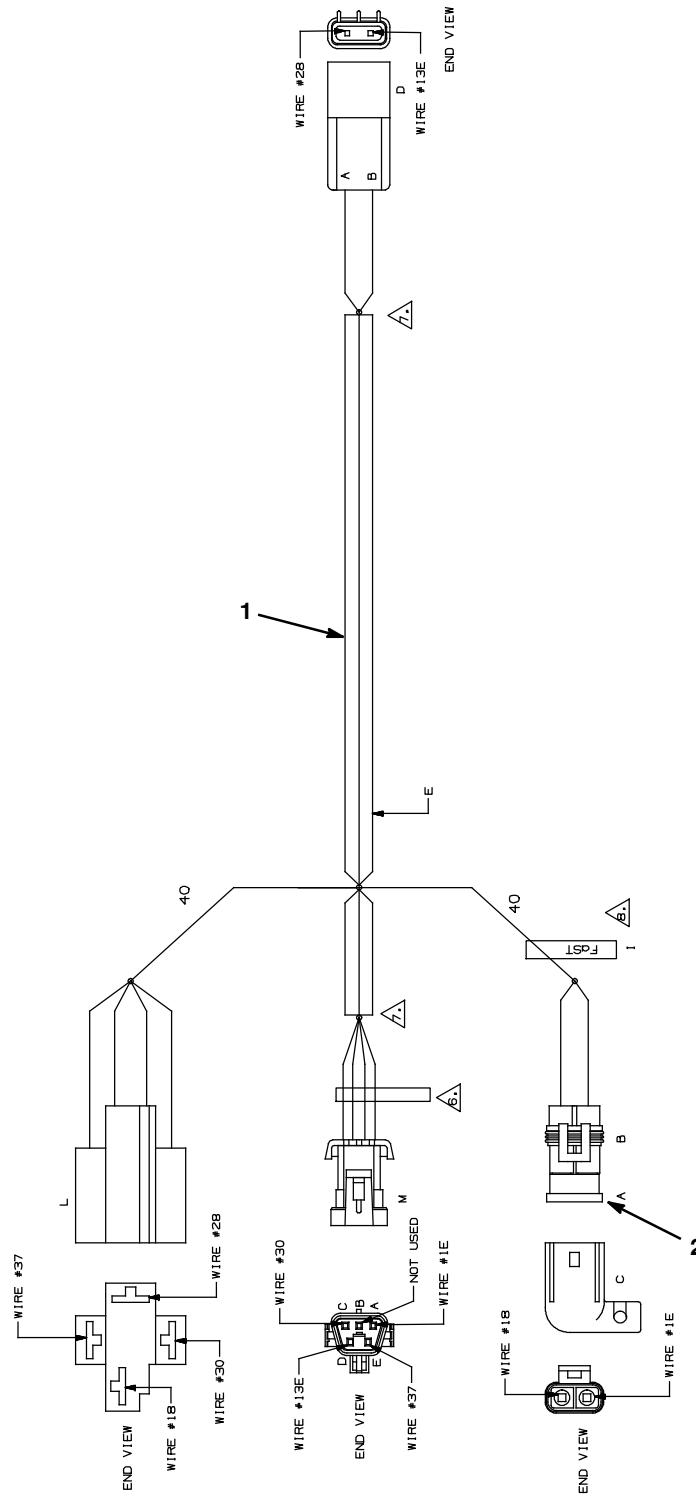
WIRE HARNESS GROUP, *ec-H2O* OPTION (S/N 00000000-10455032)

| | Ref. | Part No. | Serial Number | Description | Qty. |
|---|-------------|-----------------|----------------------|-------------------------------------|-------------|
| ▽ | 1 | 1045956 | (00000000-10455032) | Harness Assy, Wire [Ss5 Ec-H2o, P3] | 1 |
| ▲ | 2 | 1047470 | (00000000- |) Fuse, Blade, 010a, 32vdc, Red | 1 |
| ▲ | 3 | 222290 | (00000000- |) Diode, Ele, Plug | 1 |

▽ ASSEMBLY

▲ INCLUDED IN ASSEMBLY

WIRE HARNESS GROUP, FAST OPTION

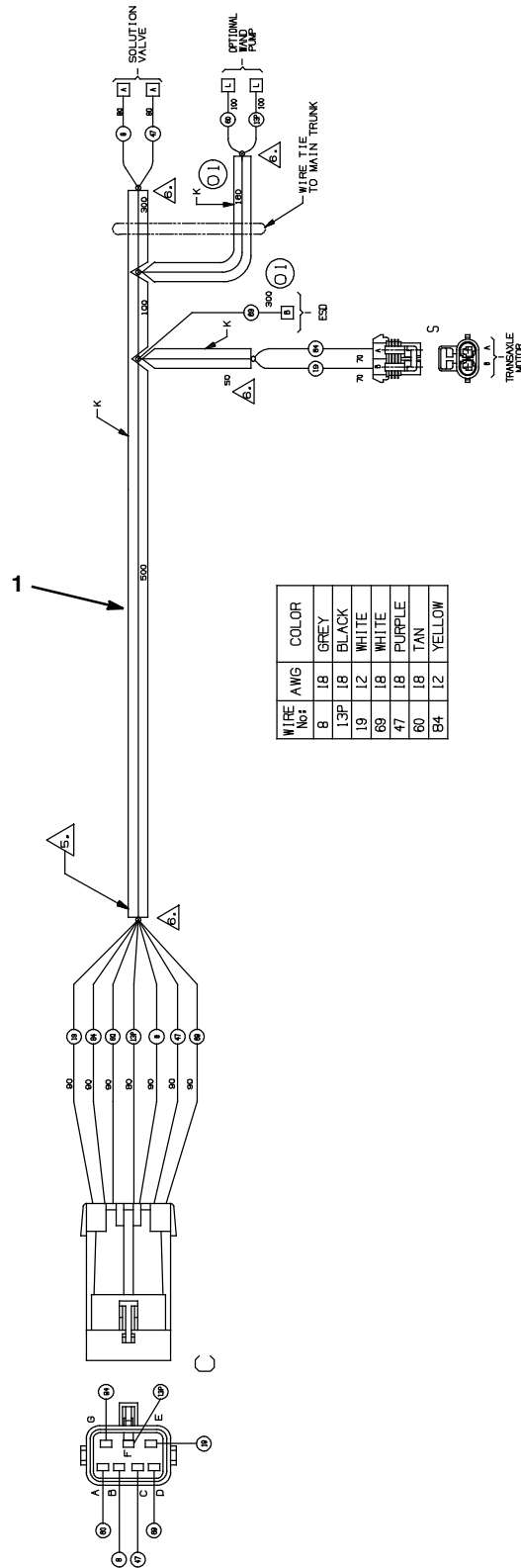


| Ref. | Part No. | Serial Number | Description | Qty. |
|------|----------|---------------|--|------|
| ▽ | 1 | 1028396 | (00000000-) Harness Assy, Wire [Fast Option, Ss5] | 1 |
| ▲ | 2 | 1016039 | (00000000-) Fuse, Blade, 007.5a, 32vdc | 1 |

▽ ASSEMBLY

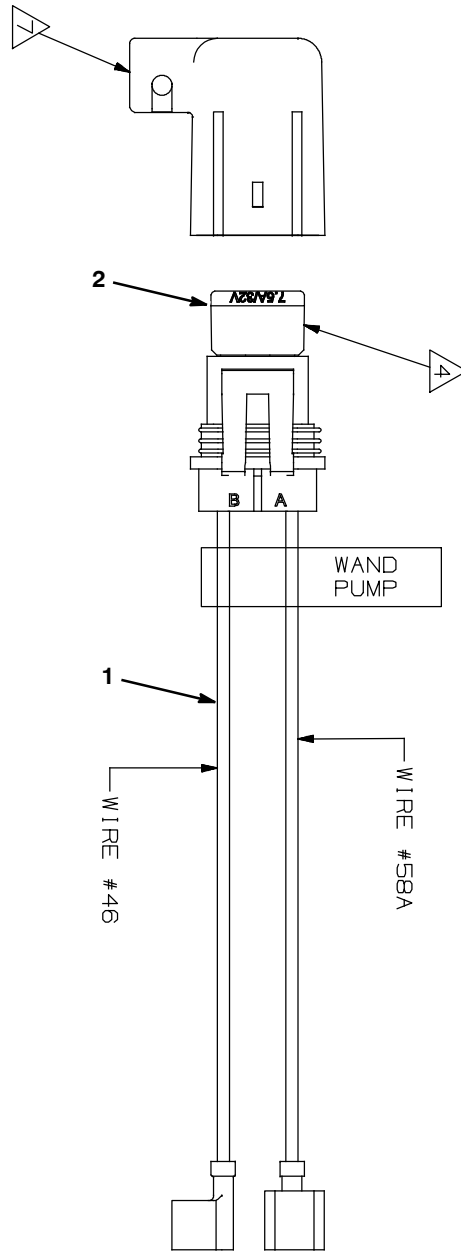
▲ INCLUDED IN ASSEMBLY

WIRE HARNESS GROUP, FRAME



| Ref. | Part No. | Serial Number | Description | Qty. |
|------|----------|---------------|------------------------------|------|
| 1 | 1024721 | (00000000-) | Harness, Chassis, Wire [Ss5] | 1 |

WIRE HARNESS GROUP, WAND OPTION

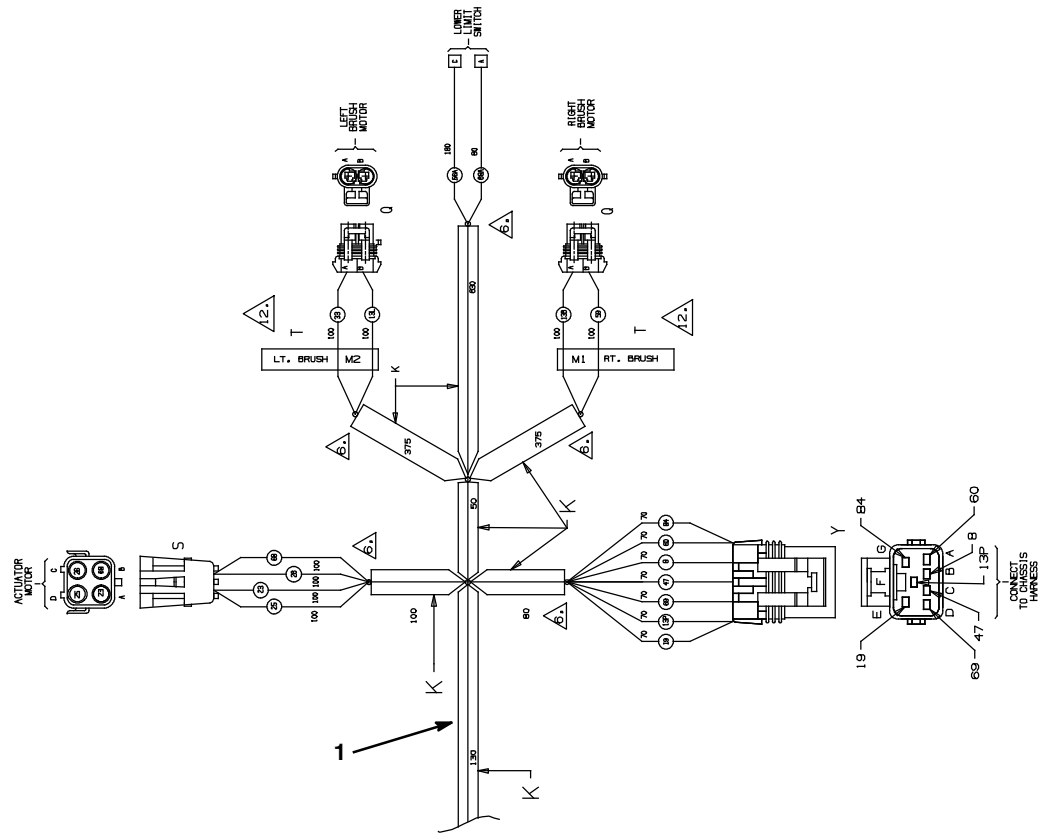


| | Ref. | Part No. | Serial Number | Description | Qty. |
|---|------|----------|---------------|------------------------------|------|
| ▽ | 1 | 1026870 | (00000000- |) Harness, Wand [Ss5] | 1 |
| ▲ | 2 | 1016039 | (00000000- |) Fuse, Blade, 007.5a, 32vdc | 1 |

▽ ASSEMBLY

▲ INCLUDED IN ASSEMBLY

WIRE HARNESS GROUP, MAIN



DETAIL A - CONTINUED

| WIRE NO# | AWG | COLOR |
|----------|-----|--------|
| 28 | 18 | WHITE |
| 29 | 18 | TAN |
| 30 | 18 | TAN |
| 31 | 18 | PINK |
| 32 | 18 | BROWN |
| 33 | 10 | ORANGE |
| 34 | 18 | YELLOW |
| 36 | 18 | BLUE |
| 37 | 18 | PURPLE |
| 38 | 16 | GRAY |
| 39 | 18 | WHITE |
| 40 | 18 | TAN |
| 41 | 18 | PINK |
| 42 | 10 | BROWN |
| 44 | 18 | YELLOW |
| 47 | 18 | PURPLE |
| 47A | 18 | PURPLE |
| 48 | 18 | GRAY |
| 49 | 18 | WHITE |
| 50 | 16 | TAN |
| 52 | 18 | BROWN |
| 54 | 18 | YELLOW |
| 56 | 18 | BLUE |
| 56A | 18 | BLUE |
| 58 | 18 | GRAY |
| 59 | 10 | WHITE |
| 60 | 18 | TAN |
| 64 | 18 | YELLOW |
| 68 | 18 | GRAY |
| 68A | 18 | GRAY |
| 69 | 18 | WHITE |
| 74 | 18 | YELLOW |
| 78 | 12 | GRAY |
| 79 | 18 | WHITE |
| 84 | 12 | YELLOW |
| 89 | 18 | WHITE |

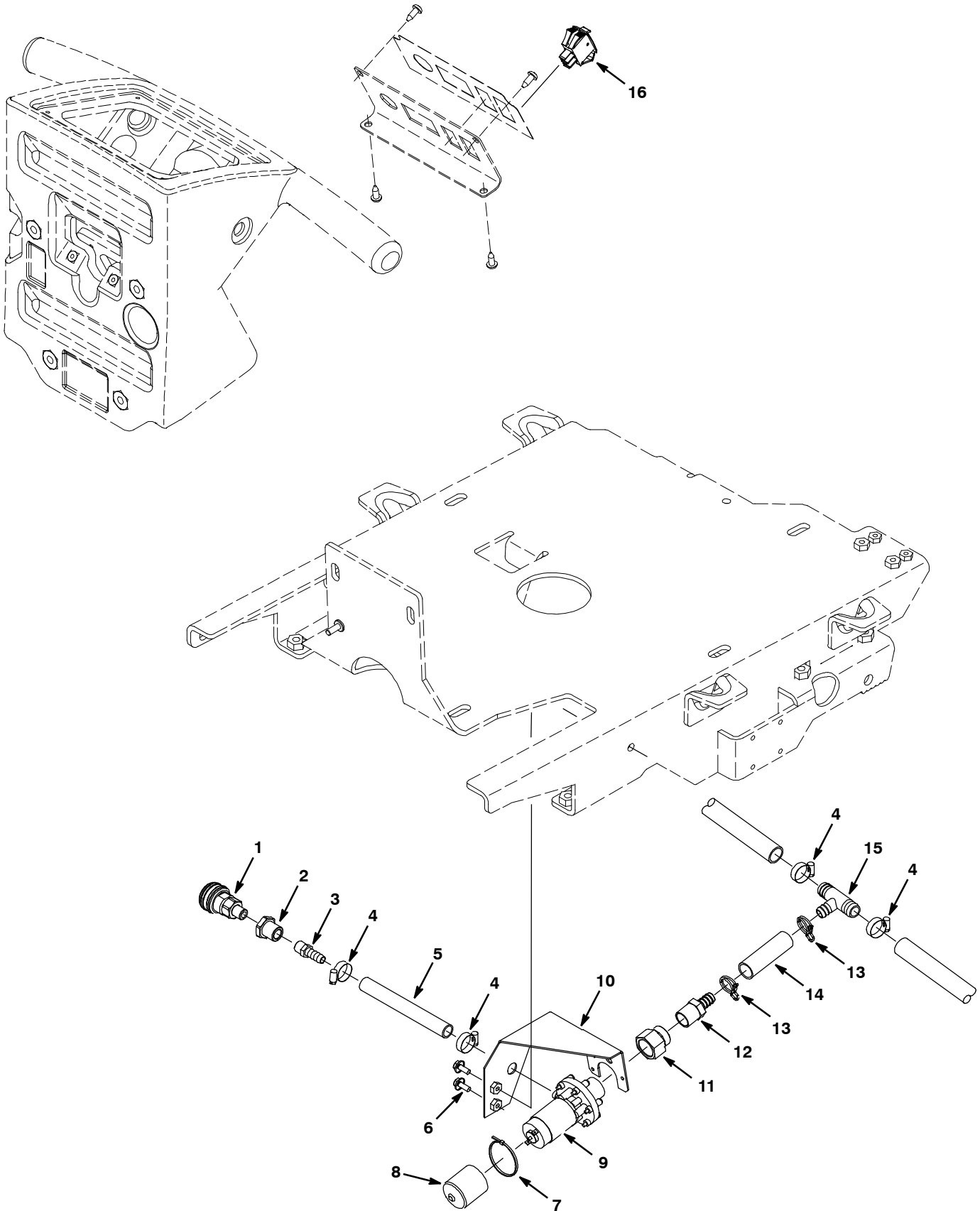
| WIRE NO# | AWG | COLOR |
|----------|-----|--------|
| 1A | 10 | RED |
| 1C | 10 | RED |
| 1E | 18 | RED |
| 1G | 12 | RED |
| 2 | 10 | BROWN |
| 3 | 18 | ORANGE |
| 4 | 18 | YELLOW |
| 5 | 18 | GREEN |
| 6 | 18 | BLUE |
| 7 | 18 | PURPLE |
| 8 | 18 | GRAY |
| 8A | 18 | GRAY |
| 9 | 18 | WHITE |
| 10 | 12 | TAN |
| 11 | 18 | PINK |
| 12 | 10 | BROWN |
| 13 | 16 | BLACK |
| 13A | 10 | BLACK |
| 13B | 10 | BLACK |
| 13C | 12 | BLACK |
| 13E | 18 | BLACK |
| 13G | 18 | BLACK |
| 13H | 18 | BLACK |
| 13J | 18 | BLACK |
| 13K | 18 | BLACK |
| 13L | 10 | BLACK |
| 13M | 18 | BLACK |
| 13N | 18 | BLACK |
| 13P | 18 | BLACK |
| 13R | 14 | BLACK |
| 14 | 18 | YELLOW |
| 16 | 18 | BLUE |
| 16A | 18 | BLUE |
| 17 | 18 | PURPLE |
| 17A | 18 | PURPLE |
| 19 | 12 | WHITE |
| 20 | 12 | TAN |
| 21 | 18 | PINK |
| 22 | 10 | BROWN |
| 23 | 18 | ORANGE |
| 24 | 18 | YELLOW |
| 25 | 18 | GREEN |
| 26 | 18 | BLUE |
| 27 | 18 | PURPLE |

| Ref. | Part No. | Serial Number | Description | Qty. |
|------|----------|---------------|---------------------------------------|------|
| ▽ | 1 | 1048405 | (00000000-) Harness, Main [Ss5] | 1 |
| ▲ | 2 | 762516 | (00000000-) Fuse, Blade, 030a, 32vdc | 1 |
| ▲ | 3 | 222290 | (00000000-) Diode, Ele, Plug | 3 |

▽ ASSEMBLY

▲ INCLUDED IN ASSEMBLY

WAND PUMP KIT



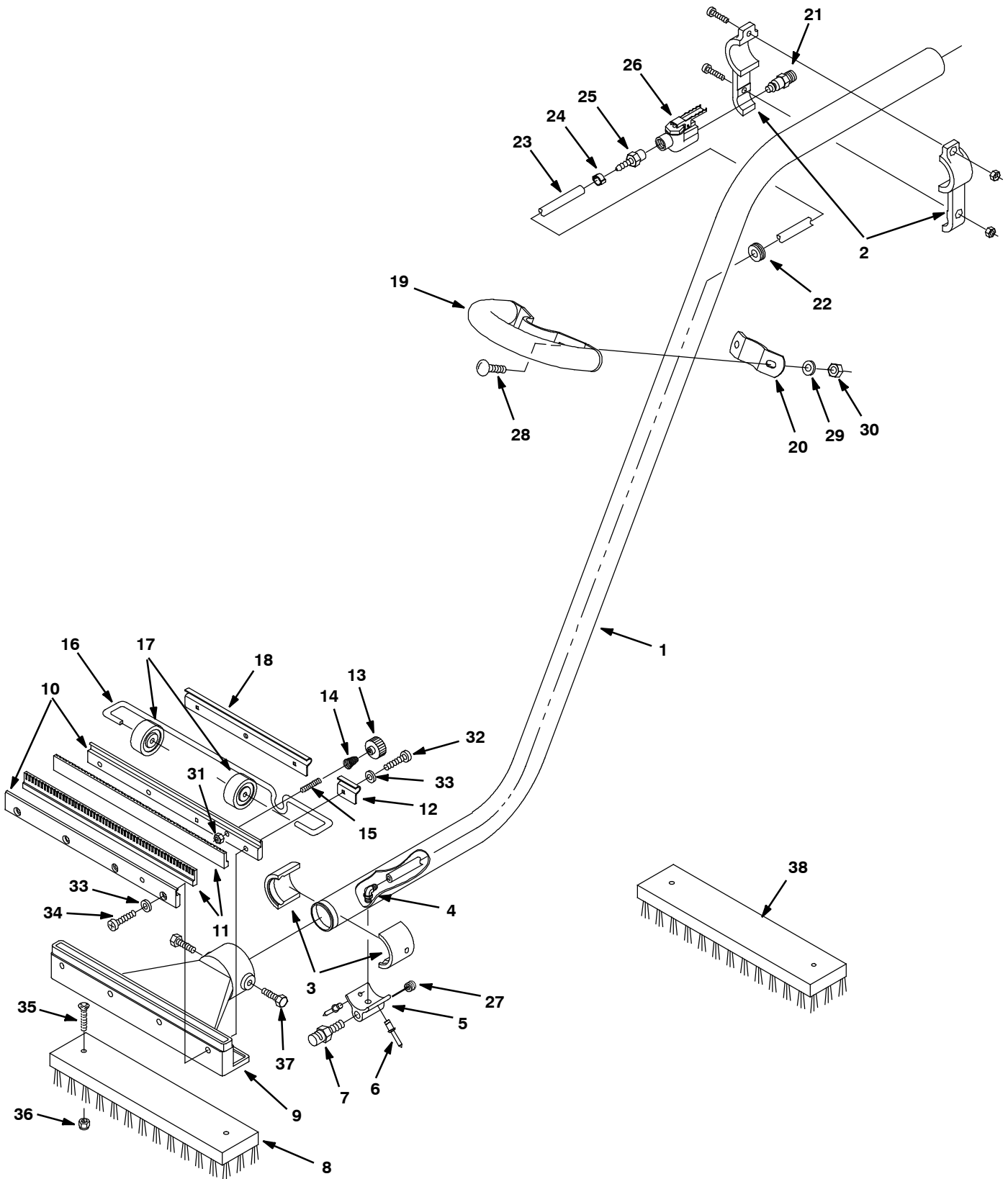
WAND PUMP KIT

| Ref. | Part No. | Serial Number | Description | Qty. |
|------|-------------|---------------|--|------|
| ▽ | 9003399 | (00000000- |) Pump Kit, Wand, Power, Ci [Ss5, T5e] | 1 |
| ▲ | 1 608292 | (00000000- |) Connection, Quick, Fem .375" X .25" Npt | 1 |
| ▲ | 2 78122 | (00000000- |) Fitting, Brs, Str, Pf04/Pf04, Bh | 1 |
| ▲ | 3 150516 | (00000000- |) Fitting, Brs, Str, Pm04/Bm06 | 1 |
| ▲ | 4 54333 | (00000000- |) Clamp, Hose, Wormdrive, 0.31-0.88d, .31w | 4 |
| ▲ | 5 575501000 | (00000000- |) Hose 3/8idx5/8odx8" (376720) | 1 |
| ▲ | 6 1034731 | (00000000- |) Screw, Hex, M6 X 1.00 X 16, Ss, Sems | 2 |
| ▲ | 7 130773 | (00000000- |) Tie, Cable, Nyl, 11.0l, .14w, 3.0 Max. D | 2 |
| ▲ | 8 605064 | (00000000- |) Cap, Vinyl, 1.38 D 1.6l | 1 |
| ▲ | 9 630136 | (00000000- |) Pump, Soltn, Ele, 24vdc, 3116" Term 3/4" | 1 |
| ▲ | 10 1023515 | (00000000- |) Bracket, Mtg, Pump, Wand | 1 |
| ▲ | 11 150017 | (00000000- |) Fitting, Brs, Str, Pf08/Pf12, Cplg[Redr] | 1 |
| ▲ | 12 1023581 | (00000000- |) Fitting, Plstc, Str, Bm08/Pm08, Nyl | 1 |
| ▲ | 13 607776 | (00000000- |) Clamp, Hose, Wir, .73 - .77, Silver | 2 |
| ▲ | 14 613521 | (00000000- |) Hose, Pvc, Clr, 0.50id 0.75od 012.0l | 1 |
| ▲ | 15 1015486 | (00000000- |) Fitting, Plstc, Tee, Bm08/Bm10/Bm10, Br | 1 |
| ▲ | 16 130787 | (00000000- |) Switch, Rocker, Spdt | 1 |
| ▲ | N/S 1026870 | (00000000- |) Harness, Wand | 1 |

▽ ASSEMBLY

▲ INCLUDED IN ASSEMBLY

DELUXE POWER WAND GROUP



DELUXE POWER WAND GROUP

| Ref. | Part No. | Serial Number | Description | Qty. |
|------|--------------|---------------|--|------|
| ▽ | 65340 | (00000000- |) Wand Assy, Power | 1 |
| ▲ | 1 578060000 | (00000000- |) Wand, Dbl Bend, 38.1mmd | 1 |
| ▲ | 2 578077000 | (00000000- |) Bracket Valve Mounting Wand | 1 |
| ▲ | 3 578061000 | (00000000- |) Adapter, Head / Wand | 2 |
| ▲ | 4 1037595 | (00000000- |) Fitting, Plstc, E90, Bm04/Pm02, Nyl | 1 |
| ▲ | 5 579112 | (00000000- |) Fitting Spray Nozzle Adapter | 1 |
| ▲ | 6 602036000 | (00000000- |) Rivet, Blind | 2 |
| ▲ | 7 578066000 | (00000000- |) Fitting, Brs, Tip [75, .125k-Jet] | 1 |
| ▲ | 8 65610 | (00000000- |) Brush, Power Wand, W/ Fastener, Pyp | 1 |
| ▲ | 9 578063000 | (00000000- |) Head, Wand | 1 |
| ▲ | 10 578078000 | (00000000- |) Retainer, Sqge, Wand | 2 |
| ▲ | 11 578074000 | (00000000- |) Blade, Sqge, 300.8mmml, Wand | 2 |
| ▲ | 12 578124000 | (00000000- |) Bracket,Axle,1hole | 1 |
| ▲ | 13 578439 | (00000000- |) Nut, Thumb, M6 X 1.0, 30d | 1 |
| ▲ | 14 613732 | (00000000- |) Spring, Cmpr, Conical 15mm | 1 |
| ▲ | 15 578143000 | (00000000- |) Screw, Set, M6 X 1.0 X 40, Cuppt, Ss | 1 |
| ▲ | 16 578126000 | (00000000- |) Axle,Wand | 1 |
| ▲ | 17 578125000 | (00000000- |) Wheel, 41.3d, 19.1w, Rbr | 2 |
| ▲ | 18 578123000 | (00000000- |) Bracket,Axle,3hole | 1 |
| ▲ | 19 578155000 | (00000000- |) Handle Wldt, Wand | 1 |
| ▲ | 20 578154000 | (00000000- |) Bracket Handle Wand | 1 |
| ▲ | 21 578091000 | (00000000- |) Fitting, Brs, Qdc, Pm04, Plug | 1 |
| ▲ | 22 578164000 | (00000000- |) Grommet,0.38"Id,0.62"Gd,.06"Gw | 1 |
| ▲ | 23 578821000 | (00000000- |) Hose 1/4id X 3/8od X 1.22m | 1 |
| ▲ | 24 578161000 | (00000000- |) Clamp, Hose, Ear, 8-11mm, Ss | 1 |
| ▲ | 25 578094000 | (00000000- |) Fitting, Nyl, Str, Pm04/Bm04 | 1 |
| ▲ | 26 578064000 | (00000000- |) Valve, Cntrl, Water | 1 |
| ▲ | 27 150208 | (00000000- |) Fitting, Brs, Str, Pm02, Plug [Skhd] | 1 |
| ▲ | 28 20399 | (00000000- |) Bolt, Carriage, .25-20 X 0.75 | 2 |
| ▲ | 29 200304017 | (00000000- |) Washer, Flat, M6.4 X 13 X 1.6, Pl | 2 |
| ▲ | 30 41169 | (00000000- |) Nut, Hex, Lock, .25-20, NI, Ss | 2 |
| ▲ | 31 07785 | (00000000- |) Nut, Hex, Std, M6 X 1.0, A2, Ss | 1 |
| ▲ | 32 1026454 | (00000000- |) Screw, Pan, M5 X 0.8 X 10, Ss | 4 |
| ▲ | 33 07514 | (00000000- |) Washer, Lock, Int, #10, Ss | 8 |
| ▲ | 34 578144000 | (00000000- |) Screw, Pan, M5 X 0.8 X 16,Phl,Ss,Dn7985a | 4 |
| ▲ | 35 578566 | (00000000- |) Screw 4x30 Fltphl Ss | 2 |
| ▲ | 36 33932 | (00000000- |) Nut, Hex, Lock, M4 X 0.7, NI, Ss | 2 |
| ▲ | 37 140885 | (00000000- |) Screw, Trs, .25-20 X 0.50, Phl, Ss | 2 |
| ▲ | 38 65582 | (00000000- |) Brush, Power Wand, W/ Fastener, Abr (Optional) | 1 |

▽ ASSEMBLY

▲ INCLUDED IN ASSEMBLY

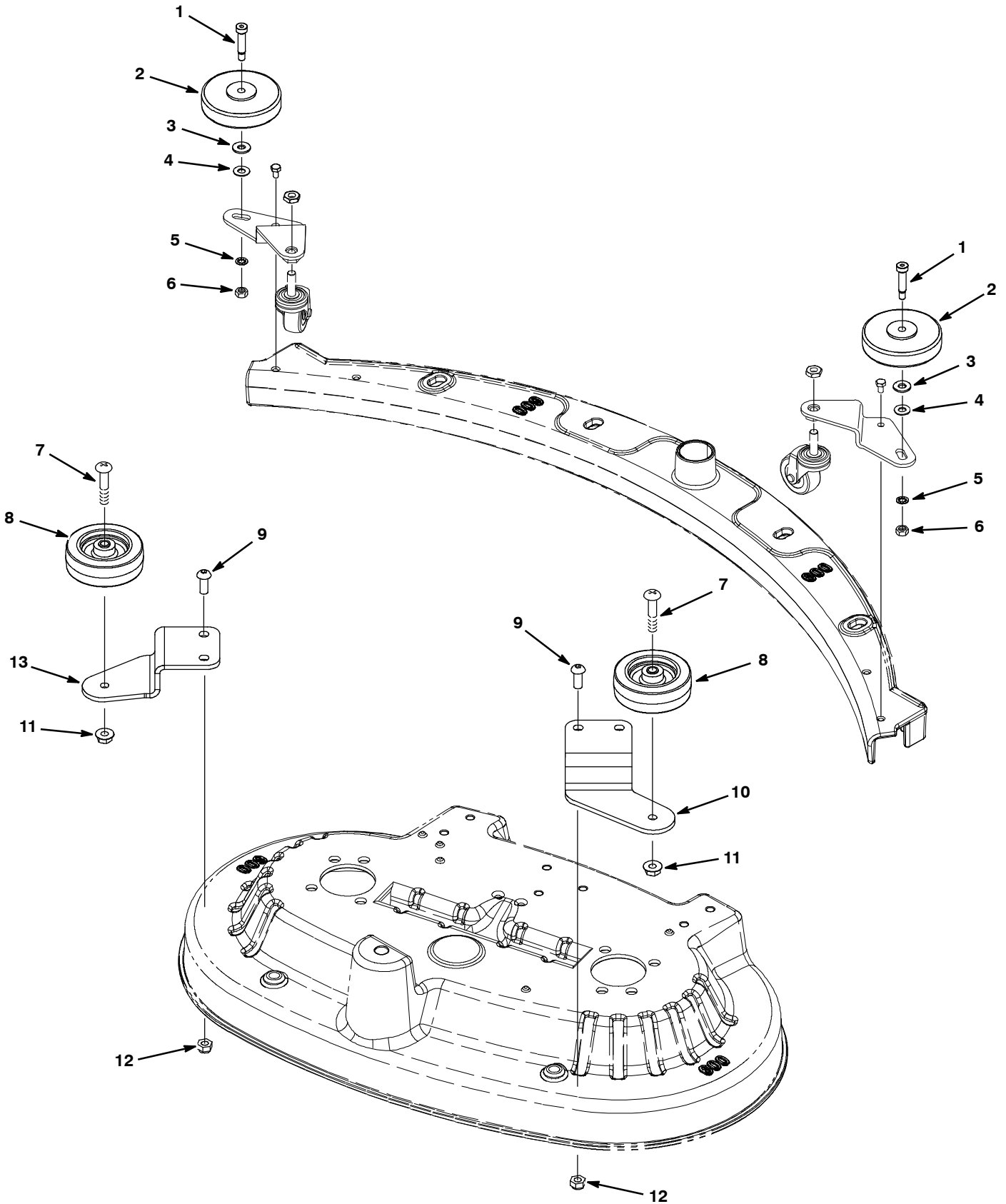
OFF-BOARD CHARGER GROUP

| | Ref. | Part No. | Serial Number | Description | Qty. |
|---|-------------|-----------------|----------------------|--|-------------|
| | 1 | 579211 | (00000000- |) Nut, Hex, Lock, M3 X .5, Ss | 4 |
| ▽ | 2 | 1027096 | (00000000- |) Harness, Chrgr | 1 |
| ▲ | 3 | 605387 | (00000000- |) Connector, 50a, Red W/O Contact[Anderson | 1 |
| | 4 | 603331 | (00000000- |) Spacer, Chrgr Plug | 1 |
| | 5 | 41578 | (00000000- |) Washer, Flat, #06, Ss | 6 |
| | 6 | 611005 | (00000000- |) Switch, Rlr, 16a, Micro | 1 |
| | 7 | 06922 | (00000000- |) Screw, Pan, M3 X 0.5 X 20, 4.8 | 2 |
| | 8 | 33933 | (00000000- |) Screw, Pan, M3 X 0.5 X 25, Ss | 2 |
| ▽ | 9 | 1029256 | (00000000- |) Charger, 24vdc, 19a Var Vac 1ph 50/60hz | 1 |
| ▲ | 10 | 605387 | (00000000- |) Connector, Anderson, 50a,Red W/O Contact | 1 |
| | 11 | 1017079 | (00000000- |) Cord, Extn, 16ga /3, 010ft [Sjt] | 1 |

▽ ASSEMBLY

▲ INCLUDED IN ASSEMBLY

BUMPER WHEEL KIT



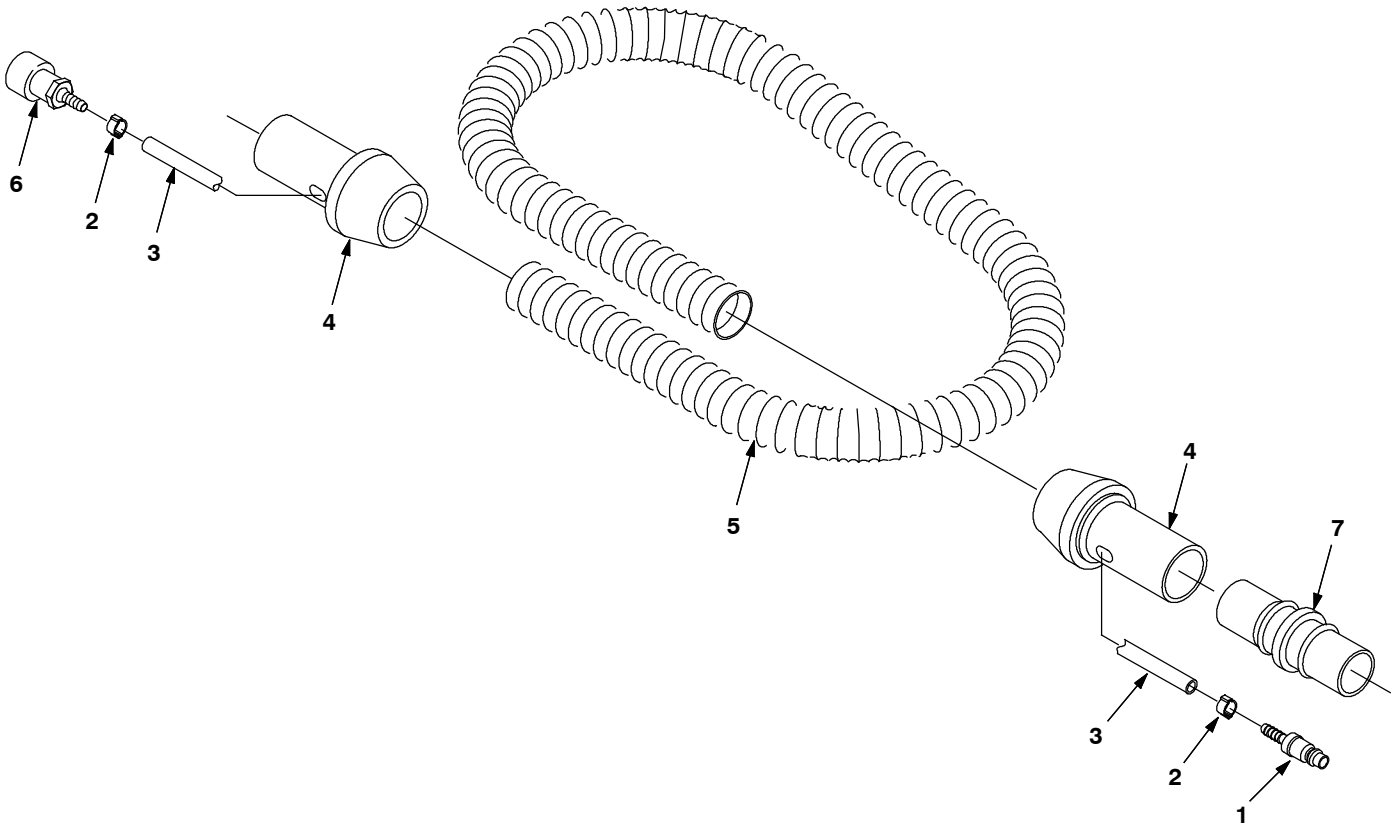
BUMPER WHEEL KIT

| | Ref. | Part No. | Serial Number | Description | Qty. |
|---|-------------|-----------------|----------------------|--|-------------|
| ▽ | | 9004459 | (00000000- |) Wheel Kit, Bumper, Retrofit [T5] | 1 |
| ▲ | 1 | 600187 | (00000000- |) Bolt, Shld, .38d X 1.25, .31-18 | 2 |
| ▲ | 2 | 614317 | (00000000- |) Wheel, 04.0d 1.00w 0.38b, Rbr, Gray | 2 |
| ▲ | 3 | 01685 | (00000000- |) Washer, Flat, 0.38b 0.88d .08, Ss | 2 |
| ▲ | 4 | 069762311 | (00000000- |) Washer, Flat, M7.9b X 19d X 1.7 Ss | 2 |
| ▲ | 5 | 43952 | (00000000- |) Washer, Lock, Int, 0.31, Ss | 2 |
| ▲ | 6 | 140506 | (00000000- |) Nut, Hex, Std, .31-18, Ss | 2 |
| ▲ | 7 | 606983 | (00000000- |) Screw, Trs, M8 X 1.25 X 40, Phl, Pl | 2 |
| ▲ | 8 | 1014918 | (00000000- |) Wheel, 03.0d 0.88w 0.31b, W/ Bshg, Rbr | 2 |
| ▲ | 9 | 393135 | (00000000- |) Screw, Btn, M8 X 1.25 X 20, Blk | 4 |
| ▲ | 10 | 1023268 | (00000000- |) Bracket, Roller, Wall, Scb Head, 70cm | 1 |
| ▲ | 11 | 07791 | (00000000- |) Nut, Hex, Flng, M8 X 1.25 | 2 |
| ▲ | 12 | 08713 | (00000000- |) Nut, Hex, Lock, M8 X 1.25, Nl, Ss | 4 |
| ▲ | 13 | 1022344 | (00000000- |) Bracket, Roller, Wall, Scb Head, 60cm | 1 |

▽ ASSEMBLY

▲ INCLUDED IN ASSEMBLY

POWER WAND HOSE GROUP

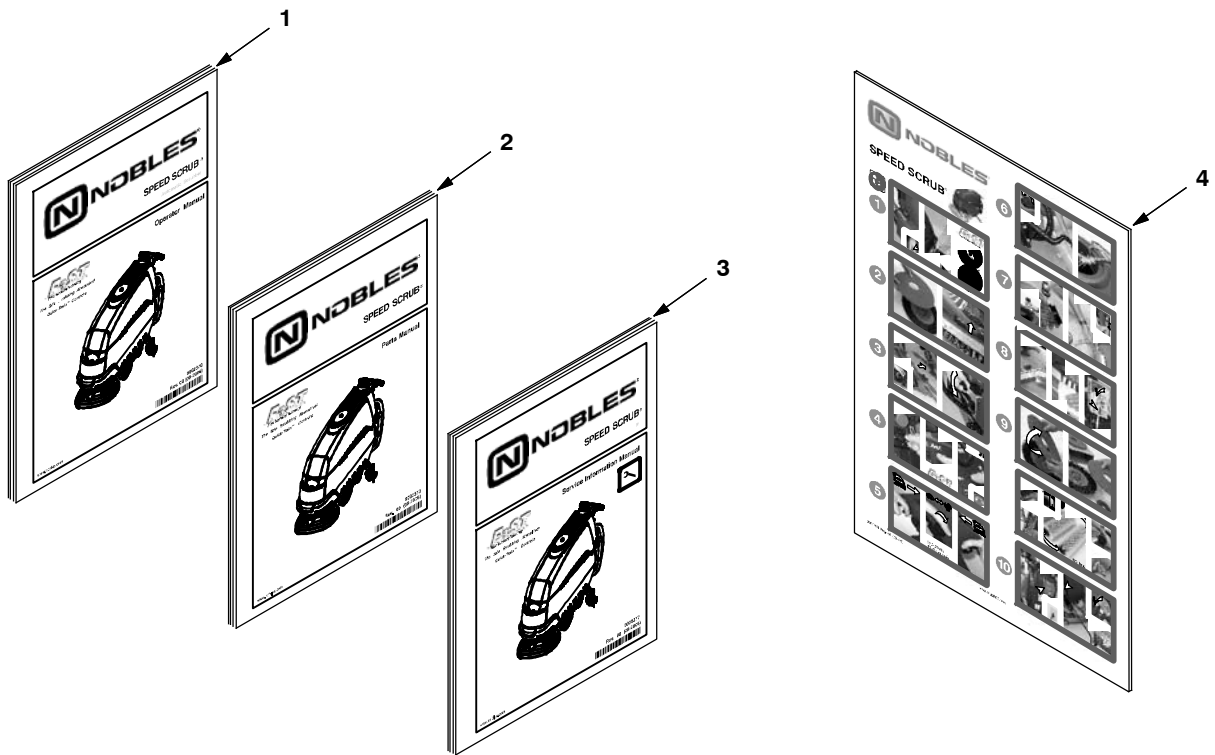


| Ref. | Part No. | Serial Number | Description | Qty. |
|------|-----------|---------------|-------------------------------------|------|
| ▽ | 65341 | (00000000- |) Hose Assy, Wand, Power | 1 |
| ▲ 1 | 578318000 | (00000000- |) Fitting, Stl, Qdc, Bm04 | 1 |
| ▲ 2 | 578160000 | (00000000- |) Clamp, Hose, Ear, 11-13mm, Ss | 2 |
| ▲ 3 | 578820000 | (00000000- |) Hose, Pvc, 0.25id X 157l | 1 |
| ▲ 4 | 578072000 | (00000000- |) Cuff, Swivel, 1.5 Blk | 2 |
| ▲ 5 | 1052212 | (00000000- |) Hose, Vacuum, 1.50id X 10ft, Gray | 1 |
| ▲ 6 | 578071000 | (00000000- |) Fitting, Brs, Qdc, Bm04/Pf04 | 1 |
| 7 | 12694 | (00000000- |) Fitting, Plstc, Str, Bm24/Bm24 | 1 |

▽ ASSEMBLY

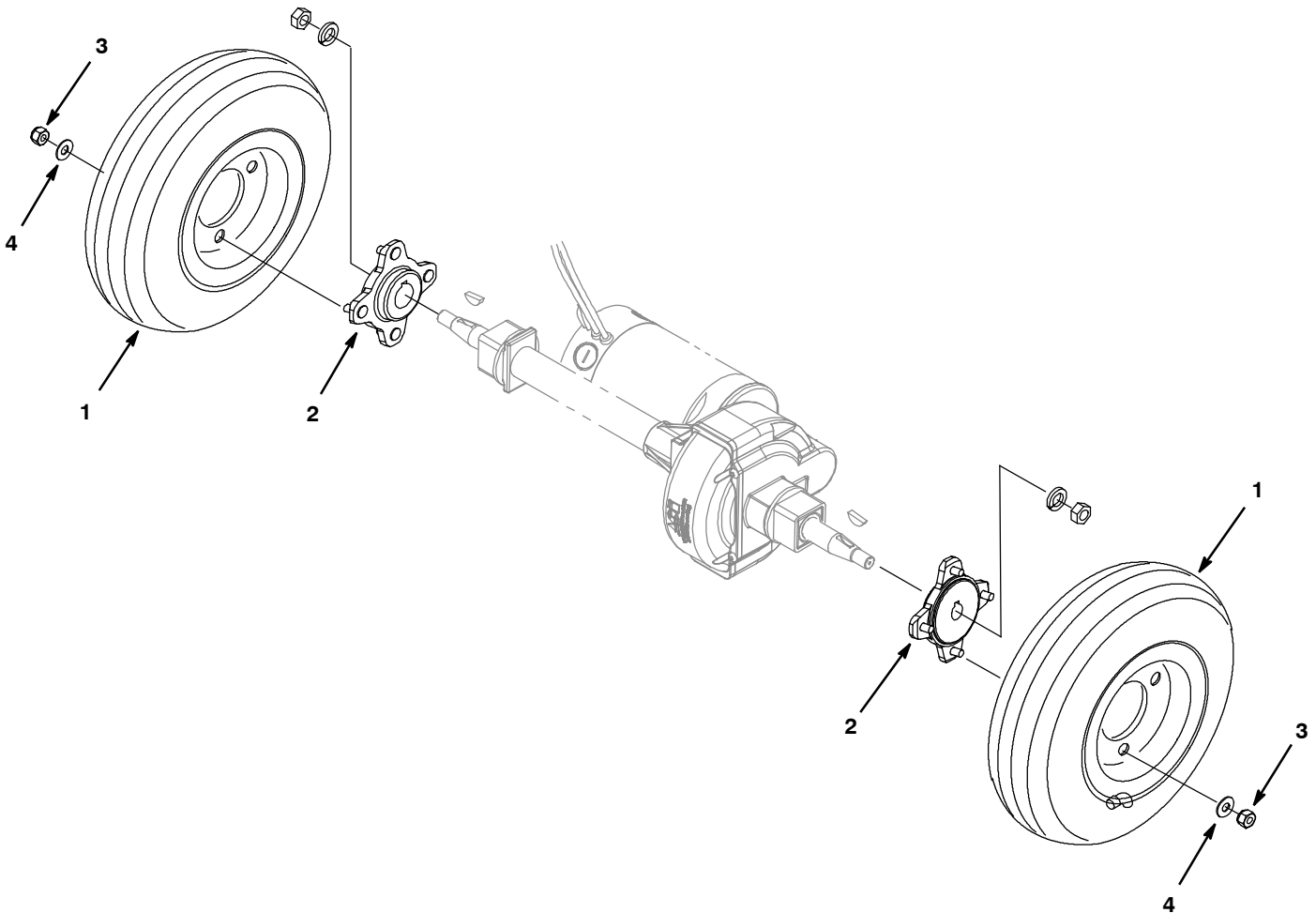
▲ INCLUDED IN ASSEMBLY

DOCUMENTATION GROUP



| Ref. | Part No. | Serial Number | Description | Qty. |
|------|----------|---------------|-------------------------------------|------|
| 1 | 9002370 | (00000000- |) Manual, Oprtr [Speed Scrub, En] | 1 |
| 1 | 9002371 | (00000000- |) Manual, Oprtr [Speed Scrub, Es] | 1 |
| 1 | 9002372 | (00000000- |) Manual, Oprtr [Speed Scrub, Fr] | 1 |
| 2 | 9002373 | (00000000- |) Manual, Parts [Speed Scrub] | 1 |
| 3 | 9002377 | (00000000- |) Manual, Service [Speed Scrub] | 1 |
| 4 | 9002374 | (00000000- |) Instr, Use And Care [En, Spd Scb] | 1 |

OPTIONAL WHEEL KIT



| Ref. | Part No. | Serial Number | Description | Qty. |
|------|----------|---------------|--|------|
| ▽ | 9004903 | (00000000-) | Wheel Kit, Pneumatic, Ci [T5 T5e Ss5] | 1 |
| ▲ 1 | 1059452 | (00000000-) | Tire Assy, Pneu, Grey, 2.8/2.5-04 2.75bc | 2 |
| ▲ 2 | 1048125 | (00000000-) | Hub, Wheel [Tapered Shaft] | 2 |
| ▲ 3 | 08712 | (00000000-) | Nut, Hex, Lock, M6 X 1.00, NI, Ss | 8 |
| ▲ 4 | 140000 | (00000000-) | Washer, Flat, 0.28b 0.62d .04, Ss | 8 |
| ▽ | 9004904 | (00000000-) | Wheel Kit, Foam Filled, Ci [T5 T5e Ss5] | 1 |
| ▲ 1 | 1068472 | (00000000-) | Tire Assy, Foam, Hi-Dns, Grey,2.8/2.5-04 | 2 |
| ▲ 2 | 1048125 | (00000000-) | Hub, Wheel [Tapered Shaft] | 2 |
| ▲ 3 | 08712 | (00000000-) | Nut, Hex, Lock, M6 X 1.00, NI, Ss | 8 |
| ▲ 4 | 140000 | (00000000-) | Washer, Flat, 0.28b 0.62d .04, Ss | 8 |

▽ ASSEMBLY

▲ INCLUDED IN ASSEMBLY