



Electronic Service Manuals

This electronic document is provided as a service to our customers. We do not create the contents of the information contained in this document. Should you have detailed questions pertaining to the information contained in this document, you may contact Michco, or the manufacturer which provided the original information in this electronic deliverable. Michco's only part in this electronic deliverable was the electronic assembly process. By providing this manual on line we are not guaranteeing parts availability.

You may contact Michco through the following methods:

Phone (517) 484-9312 or (800) 331-3339

2011 N. High St. -- Lansing, Michigan -- 48906

Fax: (517) 484-9836

Email: CustServe@Michco.com

Web site: www.Michco.Com

Parts Web site: www.FloorMachineParts.Com

Order Parts on Line at:

www.FloorMachineParts.Com

Directly to Parts & Service:

By Email: **Shop@Michco.com**

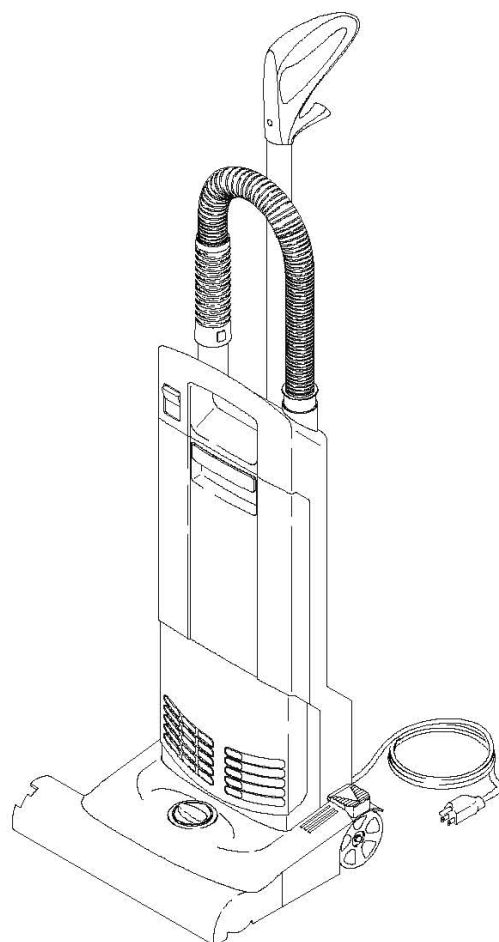
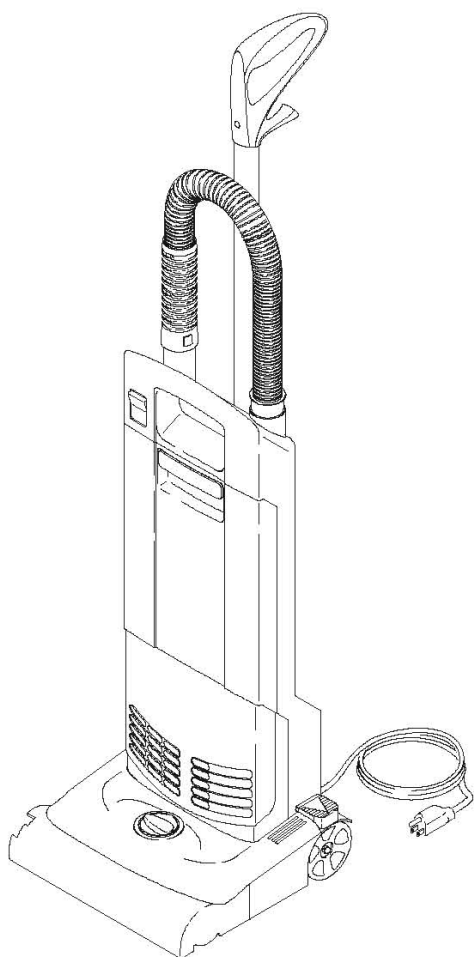
By Fax: (517) 702-2041

By Voice: Use numbers above.

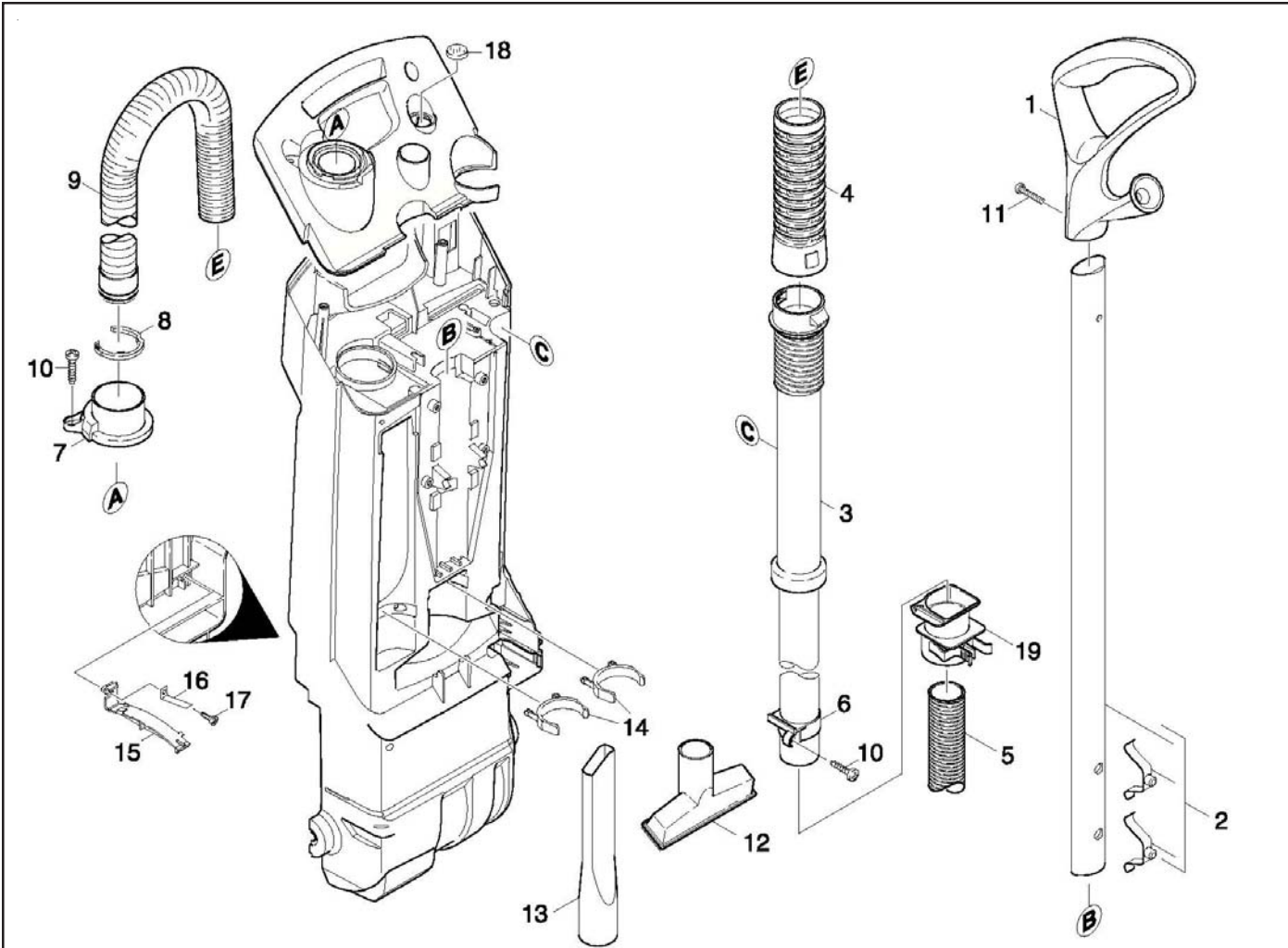
Serving the Cleaning Industry Since 1922

Notice: All copyrighted material remains property of original owners, all trademarks are property of respective owners. Manuals are subject to Manufacturer's reproduction limitations. Originals or reproductions were provided by manufacturers through a request. We make no warranty as to the correctness of information provided in this document and you assume all risk. By placing these manuals on line we are not declaring our corporation to be an manufacturer authorized dealer or provider, please check our web site for authorized manufacturers we represent.

PARTS LIST
PACER 112 UE
PACER 115 UE

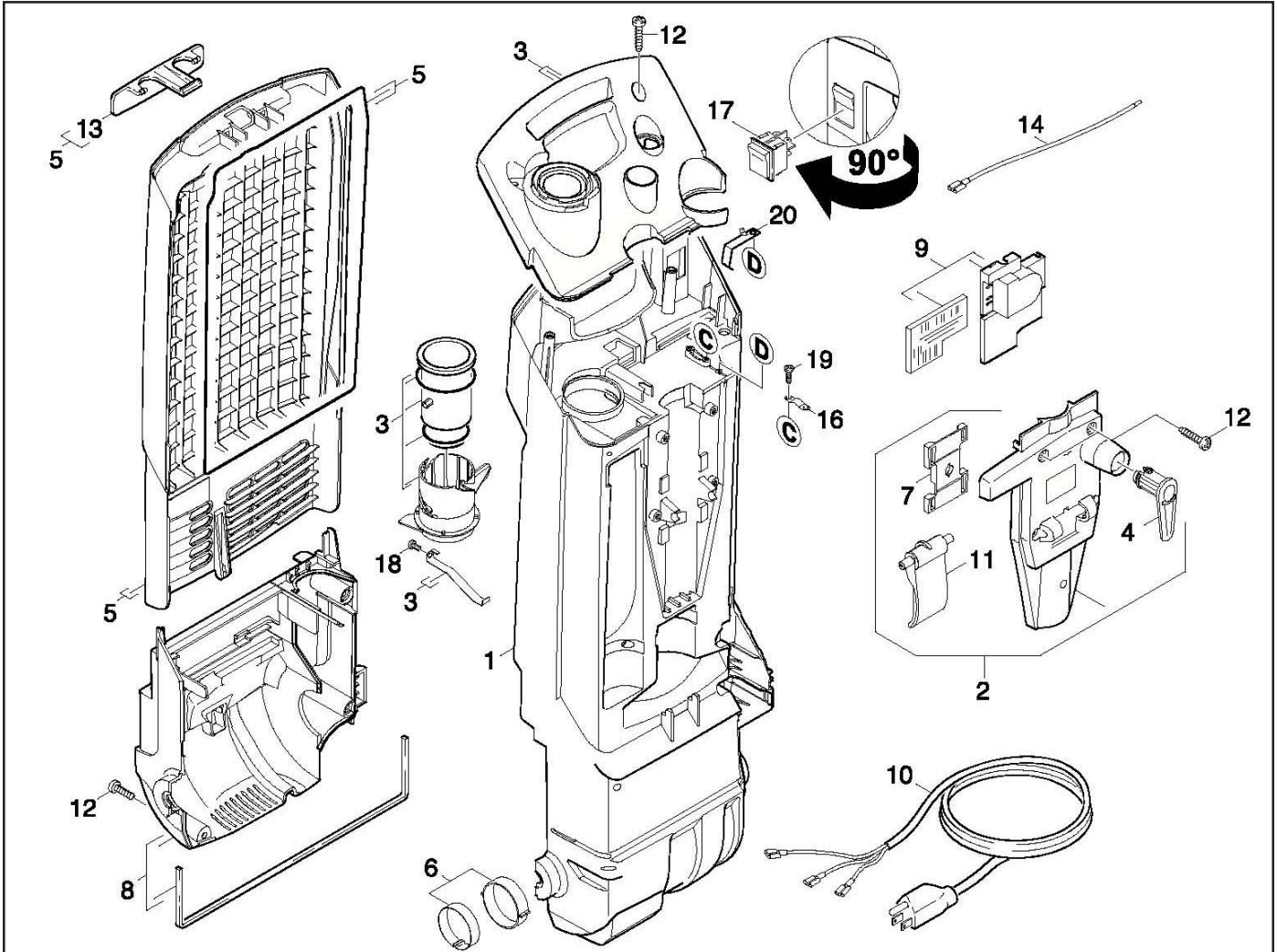


HOUSING - EXTERNAL



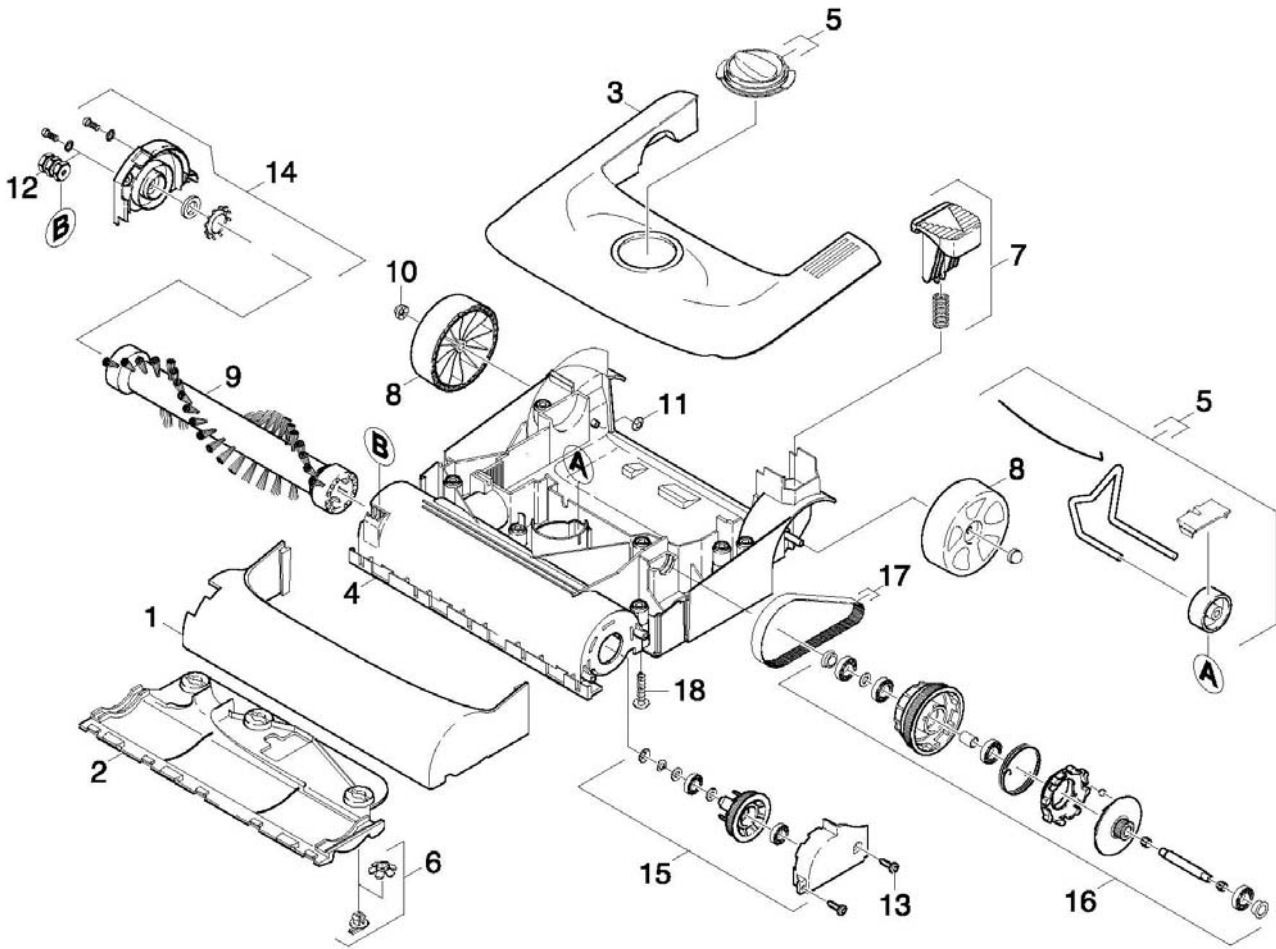
<u>ITEM</u>	<u>PART NO.</u>	<u>PART DESCRIPTION</u>	<u>QTY.</u>
1	7190311	HANDLE COMPLETE	1
2	7190101	TUBE - HANDLE WITH HARDWARE	1
3	7190301	SUCTION TUBE	1
4	7190331	RUBBER SLEEVE	1
5	7190581	VACUUM HOSE	1
6	7190361	RING	1
7	7190211	CONNECTION PIECE	1
8	6890011	RETAINING SPRING	1
9	7190391	SUCTION HOSE	1
10	7190541	5 X 20 SCREW	2
11	7190551	5 X 40 SCREW	1
12	6890251	UPHOLSTERY NOZZLE	1
13	7190491	CREVICE TOOL	1
14	7190231	CLIP	2
15	6890141	BRACKET	1
16	6890151	SPRING	1
17	7190531	4 X 12 SCREW	1
18	7292231	LENS	1
19	7190591	BUSHING	1

HOUSING - INTERNAL



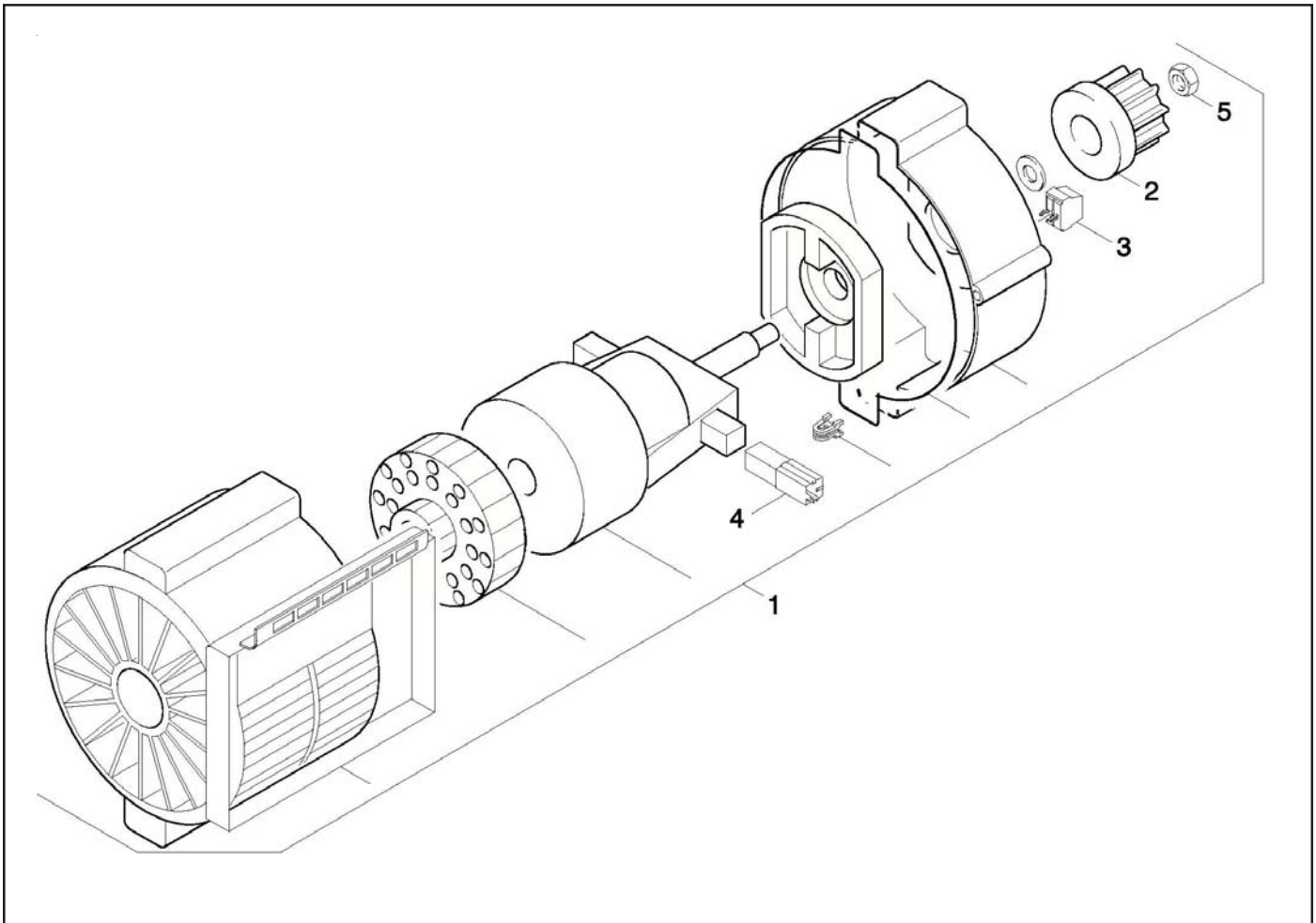
ITEM	PART NO.	PART DESCRIPTION	QTY.
1	7190271	HOUSING	1
2	7190041	COVERING CAP LATCH ASSEMBLY - INCLUDES:	1
4	7190241	CATCH FOR CABLE	1
7	7190201	CLAMP	1
11	7190341	HANDLE RELEASE LEVER	1
12	7190541	5 X 20 SCREW	9
3	7190031	COVERING CAP COMPLETE	1
5	7190091	COVER - COMPLETE	1
6	7190111	BEARING SHELL - SET OF 2	1
8	7190051	MOTOR COVER - COMPLETE	1
9	7190161	CIRCUIT BOARD - 120 VOLT	1
9	7190741	CIRCUIT BOARD - 240 VOLT	1
10	7190151	POWER CABLE - 120 VOLT	1
10	7190731	POWER CABLE - 240 VOLT	1
13	7190291	LEVER - COVER	1
14	7190171	ELECTRICAL WIRE - 120 VOLT	1
14	7190701	ELECTRICAL WIRE - 240 VOLT	1
16	6890341	CABLE CLIP	1
17	7190441	ROCKER SWITCH	1
18	7190531	4 X 12 SCREW	1
19	7190521	3.5 X 12 SCREW	2
20	7190221	SPRING	1

BRUSH HEAD



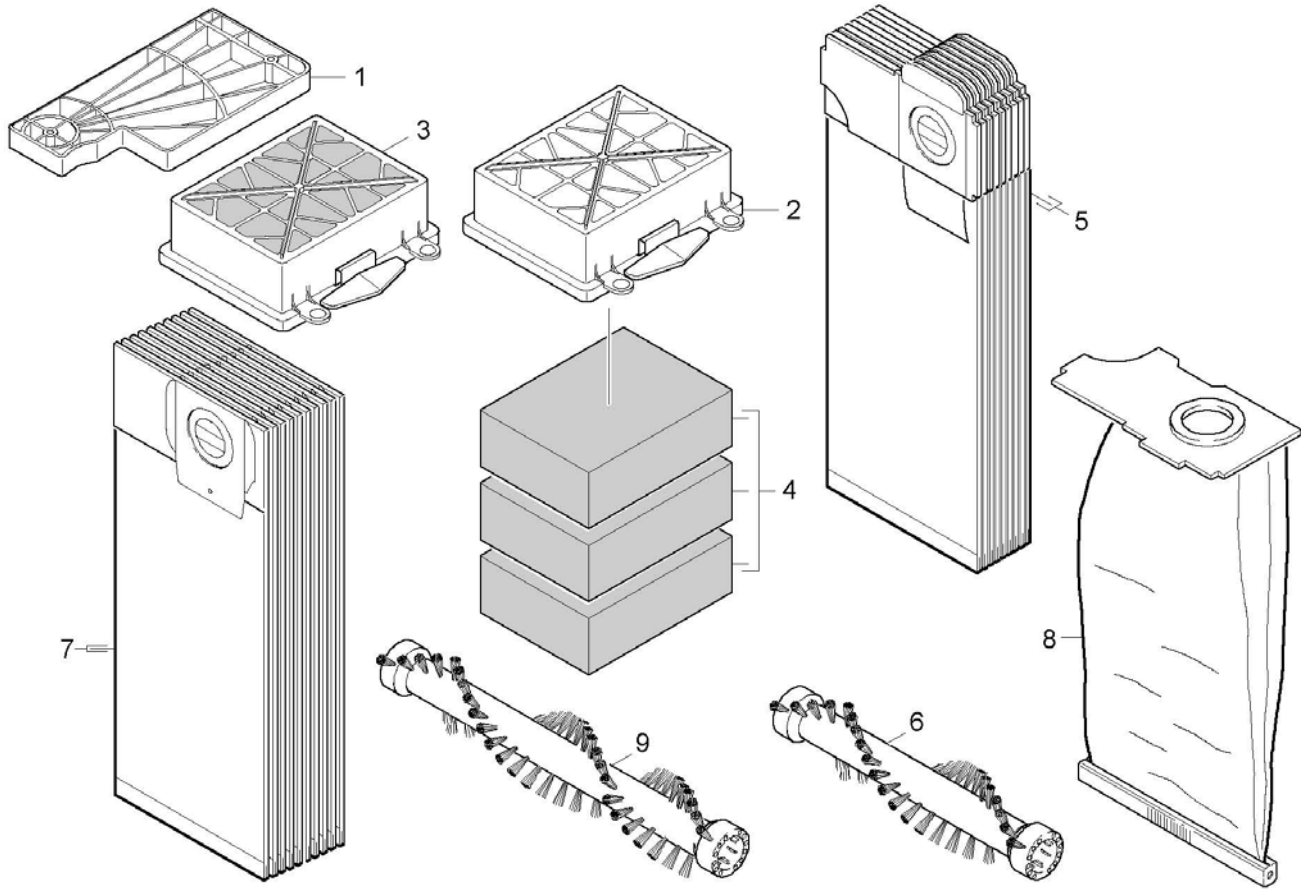
<u>ITEM</u>	<u>PART NO.</u>	<u>PART DESCRIPTION</u>	<u>QTY.</u>
1	7190191	BRUSH COVER - SHOCK ABSORBER - 112 UE ONLY	1
	7190181	BRUSH COVER - SHOCK ABSORBER - 115 UE ONLY	1
2	7190251	BRUSH SHOE - 112 UE ONLY	1
	7190601	BRUSH SHOE - 115 UE ONLY	1
3	7190281	TOP OF COVER - 112 UE ONLY	1
	7190611	TOP OF COVER - 115 UE ONLY	1
4	7190261	BOTTOM OF COVER - 112 UE ONLY	1
	7190621	BOTTOM OF COVER - 115 UE ONLY	1
5	7190141	ADJUSTING WHEEL ASSEMBLY	1
6	7190021	BRUSH SHOE LATCH	1
7	7190131	FOOT LEVER COMPLETE	1
8	7190351	WHEEL	2
9	7190501	ROLLER BRUSH - STANDARD - BLACK - SOFT - 112 UE ONLY	1
	7190631	ROLLER BRUSH - STANDARD - BLACK - SOFT - 115 UE ONLY	1
10	6891131	LOCK WASHER - OUTER WHEEL	2
11	7190381	LOCK WASHER - INNER WHEEL	2
12	7190571	SCREW UNION PART	2
13	7190531	4 X 12 SCREW	2
14	7190071	COVERING CAP - RIGHT - COMPLETE	1
15	7190081	COVERING CAP - LEFT - COMPLETE	1
16	7190121	COUPLER COMPLETE	1
17	7190011	REPLACEMENT BELT	1
18	7190541	5 X 20 SCREW	8

MOTOR



<u>ITEM</u>	<u>PART NO.</u>	<u>PART DESCRIPTION</u>	<u>QTY.</u>
1	7190061	MOTOR COMPLETE - 120 VOLT - INCLUDES:	1
	7190651	MOTOR ONLY - 120 VOLT - INCLUDES:	1
4	7190431	CARBON BRUSH SET - 120 VOLT	1
2	7190321	PINION	1
3	6890561	STRIP TERMINAL	1
5	7190561	M 5 HEXAGON NUT	1
1	7190711	MOTOR COMPLETE - 240 VOLT - INCLUDES:	1
	7190721	MOTOR ONLY - 240 VOLT - INCLUDES:	1
4	7190751	CARBON BRUSH SET - 240 VOLT	1
2	7190321	PINION	1
3	6890561	STRIP TERMINAL	1
5	7190561	M 5 HEXAGON NUT	1

ACCESSORIES



<u>ITEM</u>	<u>PART NO.</u>	<u>PART DESCRIPTION</u>	<u>QTY.</u>
1	7190371	MOTOR PROTECTION FILTER	1
2	7190481	STANDARD FILTER	1
3	7190411	HEPA FILTER COMPLETE	1
4	7190421	FILTER - FOAM - EXHAUST FILTER	1
5	7190461	FILTER BAGS - PACK OF 10	1
6	7190511	ROLLER BRUSH - SPECIAL - RED - HARD - 112 UE ONLY	1
7	7190471	FLEECE FILTER BAG - PACK OF 10	1
8	7190451	CLOTH FILTER BAG - COTTON - 1 PER PACK	1
9	7190641	ROLLER BRUSH - SPECIAL - RED - HARD - 115 UE ONLY	1

NOTES



NSS ® Enterprises, Inc.

3115 Frenchmens Road, Toledo, Ohio 43607
PHONE (419) 531-2121 FAX (419) 531-3761

NSS ® Enterprises, Inc. European Distribution Centre
Unit II, Pinfold Trading Estate * 55 Nottingham Road
STAPLEFORD, NOTTINGHAM NG9 8AD ENGLAND U.K.
PHONE: (44) 0115 939 1568 * FAX: (44) 0115 949 0615