



Electronic Service Manuals

This electronic document is provided as a service to our customers. We do not create the contents of the information contained in this document. Should you have detailed questions pertaining to the information contained in this document, you may contact Michco, or the manufacturer which provided the original information in this electronic deliverable. Michco's only part in this electronic deliverable was the electronic assembly process. By providing this manual on line we are not guaranteeing parts availability.

You may contact Michco through the following methods:

Phone (517) 484-9312 or (800) 331-3339

2011 N. High St. -- Lansing, Michigan -- 48906

Fax: (517) 484-9836

Email: CustServe@Michco.com

Web site: www.Michco.Com

Parts Web site: www.FloorMachineParts.Com

Order Parts on Line at:

www.FloorMachineParts.Com

Directly to Parts & Service:

By Email: **Shop@Michco.com**

By Fax: (517) 702-2041

By Voice: Use numbers above.

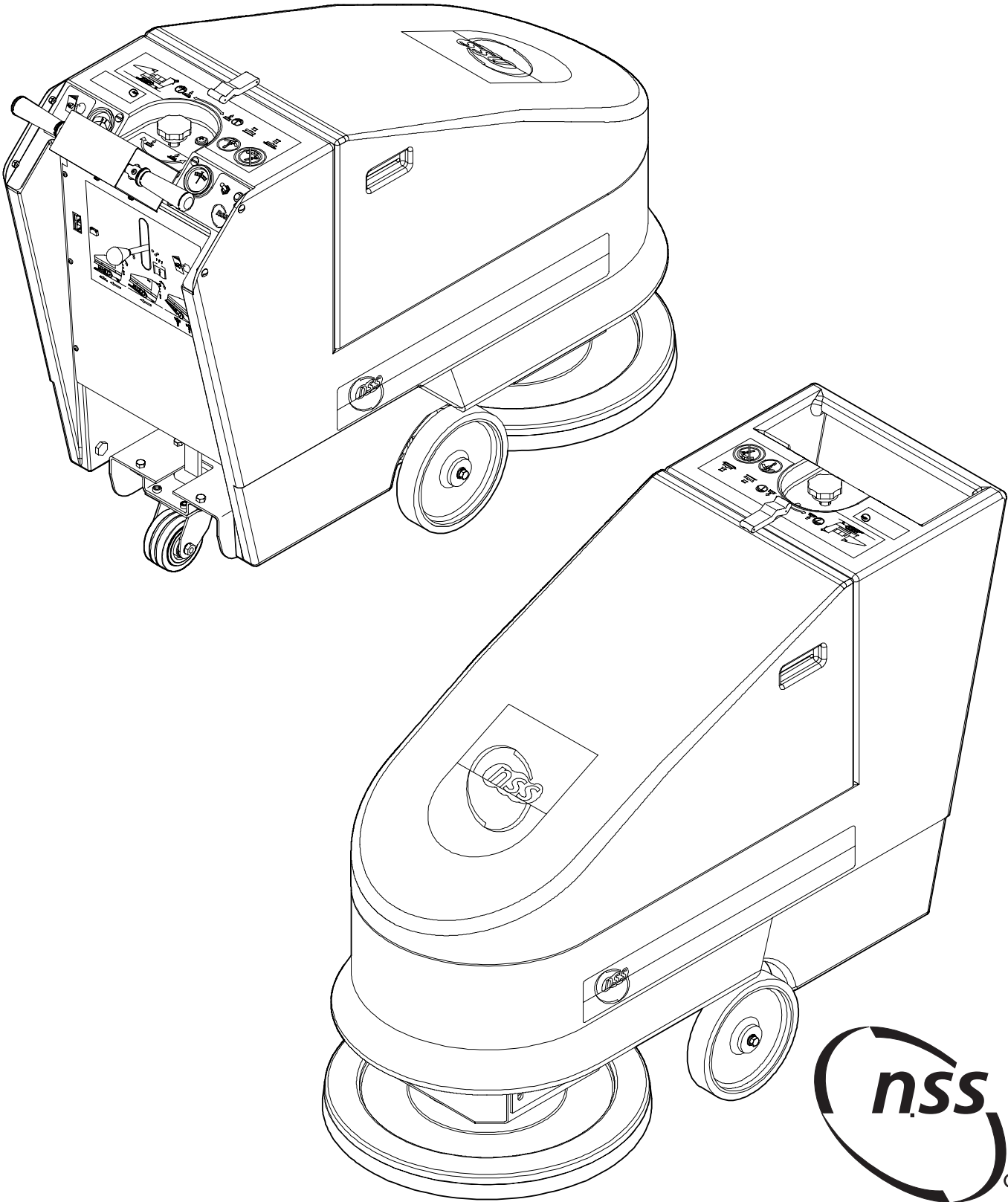
Serving the Cleaning Industry Since 1922

Notice: All copyrighted material remains property of original owners, all trademarks are property of respective owners. Manuals are subject to Manufacturer's reproduction limitations. Originals or reproductions were provided by manufacturers through a request. We make no warranty as to the correctness of information provided in this document and you assume all risk. By placing these manuals on line we are not declaring our corporation to be an manufacturer authorized dealer or provider, please check our web site for authorized manufacturers we represent.

PARTS LIST

CHARGER 2025 AB

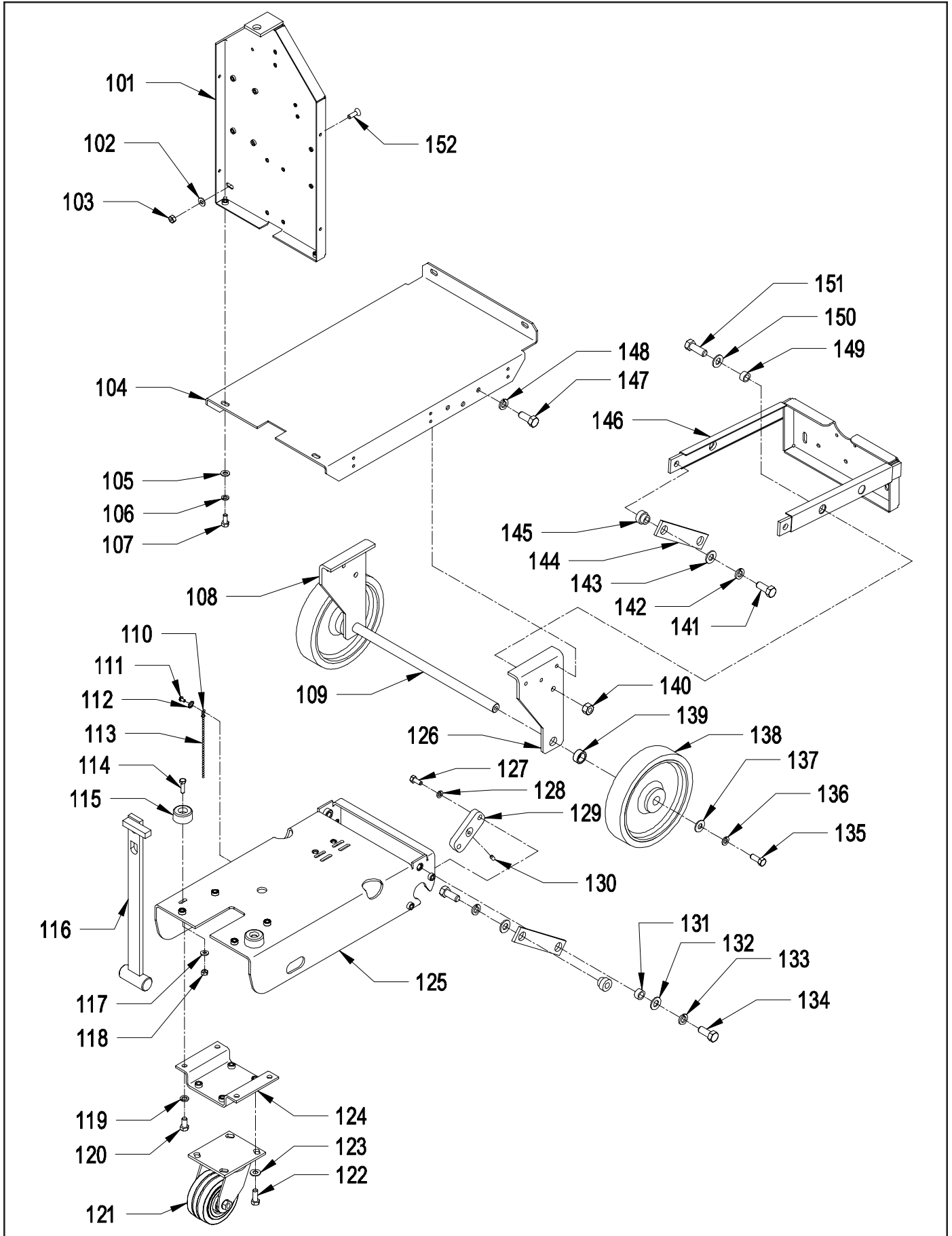
CHARGER 2025 DB



BASE - CHARGER 2025 AB

<u>ITEM</u>	<u>PART NO.</u>	<u>DESCRIPTION</u>	<u>QTY.</u>
101	6495511	CONTROL FRAME WELDMENT	1
102	9121390	11/32 I.D. X 11/16 O.D. X .051/.080 THICK SAE FLAT WASHER (5/16)	2
103	9121450	5/16-18 HEX NUT WITH NY-LOK INSERT	2
104	6495071	BASE PLATE	1
105	9121390	11/32 I.D. X 11/16 O.D. X .051/.080 THICK SAE FLAT WASHER (5/16)	2
106	9121520	5/16 SPLIT LOCK WASHER	2
107	9121640	5/16-18 X 3/4 HEX BOLT	2
108	6495241	BASE LEG CHARGER - LEFT	1
109	4492546	AXLE	1
110	6491871	END COUPLING ROUND BEAD CHAIN	1
111	9120380	10-24 X 3/8 ROUND HEAD PHILLIPS MACHINE SCREW	1
112	9120330	10 EXTERNAL STAR LOCK WASHER	1
113	6491860	ROUND BEAD CHAIN (CUT LENGTH 6")	.5'
114	9121270	1/4-20 X 1 HEX BOLT	2
115	4894461	RUBBER STOP	2
116	6490701	CATCH ASSEMBLY	1
117	9120930	9/32 I.D. X 5/8 O.D. X .051/.080 THICK SAE FLAT WASHER (1/4)	2
118	9120900	1/4-20 HEX NUT WITH NY-LOK INSERT	2
119	9122100	3/8 SPLIT LOCK WASHER	4
120	9122220	3/8-16 X 3/4 HEX BOLT	4
121	6492061	RED 4 INCH CASTER - INCLUDES:	1
	4490391	CASTER WHEEL WITH BEARING	1
122	9122260	3/8-16 X 1 HEX BOLT	4
123	9122100	3/8 SPLIT LOCK WASHER	4
124	6495141	CASTER MOUNT	1
125	6495151	FRAME	1
126	6495231	BASE LEG CHARGER - RIGHT	1
127	9122260	3/8-16 X 1 HEX BOLT	4
128	9122100	3/8 SPLIT LOCK WASHER	4
129	6495271	AXLE BLOCK	2
130	9120637	1/4-20 X 1/4 SET SCREW - CUP POINT	2
131	4492791	BUSHING, PIVOT	2
132	9122450	17/32 I.D. X 1 1/16 O.D. X .074/.121 THICK SAE FLAT WASHER (1/2)	2
133	9122420	1/2 SPLIT LOCK WASHER	2
134	9122540	1/2-13 X 1 1/4 HEX BOLT	2
135	9122260	3/8-16 X 1 HEX BOLT	2
136	9122100	3/8 SPLIT LOCK WASHER	2
137	9122180	13/32 I.D. X 13/16 O.D. X .051/.080 THICK WROUGHT WASHER (3/8)	2
138	4490511	WHEEL - 8"	2
139	4492921	WHEEL SPACER	2
140	9122495	1/2-13 HEX NUT WITH NY-LOK INSERT - THIN	2
141	9122540	1/2-13 X 1 1/4 HEX BOLT	2
142	9122420	1/2 SPLIT LOCK WASHER	2
143	9122450	17/32 I.D. X 1 1/16 O.D. X .074/.121 THICK SAE FLAT WASHER (1/2)	2
144	6490691	LIFT ARM	2
145	4495141	LIFT ARM SPACER	2
146	6495501	PIVOT WELDMENT	1
147	9122220	3/8-16 X 3/4 HEX BOLT	6
148	9122100	3/8 SPLIT LOCK WASHER	6
149	4492791	BUSHING, PIVOT	2
150	9122450	17/32 I.D. X 1 1/16 O.D. X .074/.121 THICK SAE FLAT WASHER (1/2)	2
151	9122540	1/2-13 X 1 1/4 HEX BOLT	2
152	9121470	5/16-18 X 1 FLAT HEAD PHILLIPS MACHINE SCREW	4

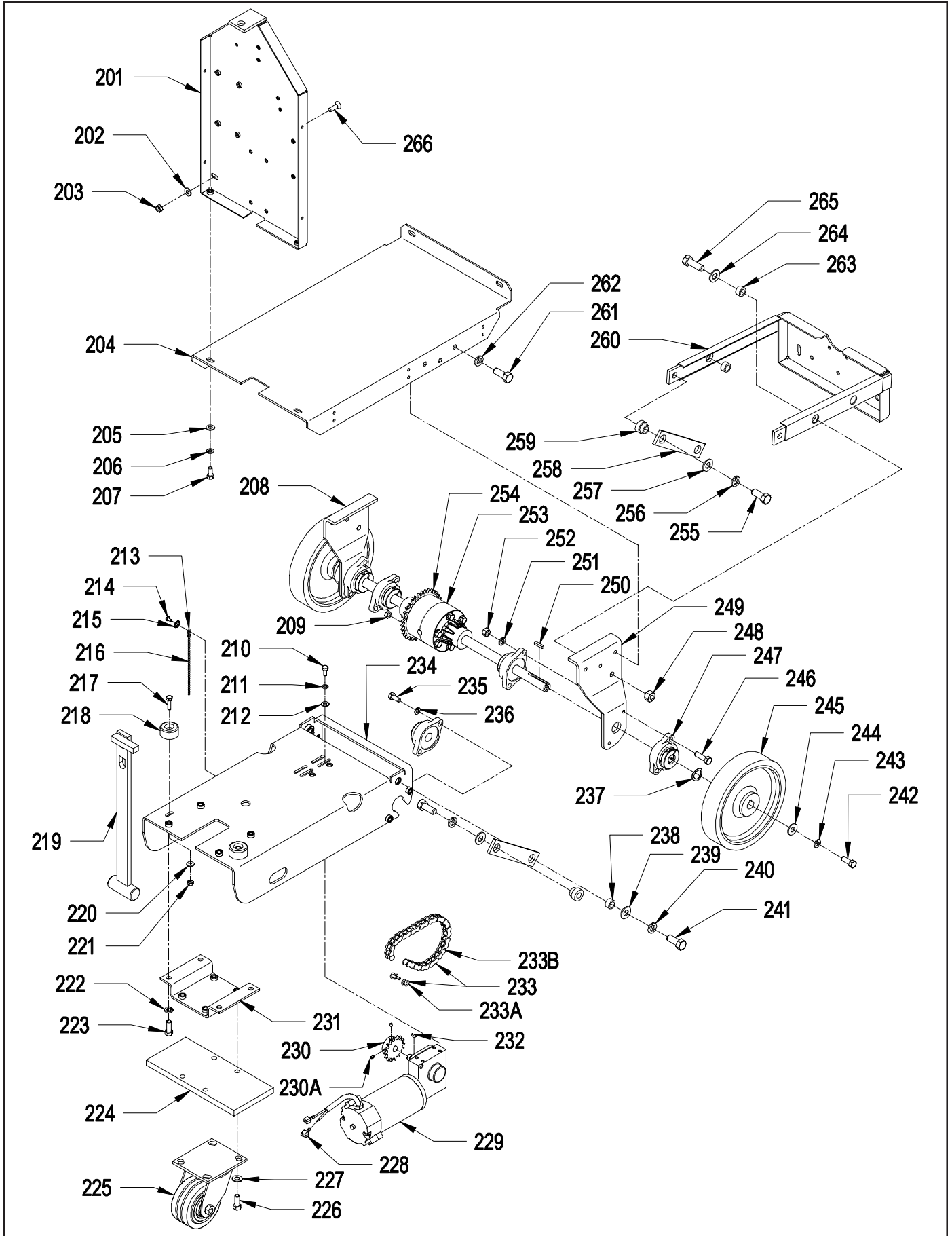
BASE - CHARGER 2025 AB



BASE - CHARGER 2025 DB

<u>ITEM</u>	<u>PART NO.</u>	<u>DESCRIPTION</u>	<u>QTY.</u>
201	6495511	CONTROL FRAME WELDMENT	1
202	9121390	11/32 I.D. X 11/16 O.D. X .051/.080 THICK SAE FLAT WASHER (5/16)	2
203	9121450	5/16-18 HEX NUT WITH NY-LOK INSERT	2
204	6495071	BASE PLATE	1
205	9121390	11/32 I.D. X 11/16 O.D. X .051/.080 THICK SAE FLAT WASHER (5/16)	2
206	9121520	5/16 SPLIT LOCK WASHER	2
207	9121640	5/16-18 X 3/4 HEX BOLT	2
208	6495261	BASE LEG CHARGER WHEEL DRIVE - LEFT	1
209	9121450	5/16-18 HEX NUT WITH NY-LOK INSERT	4
210	9121210	1/4-20 X 5/8 HEX BOLT	4
211	9120880	1/4 SPLIT LOCK WASHER	4
212	9120930	9/32 I.D. X 5/8 O.D. X .051/.080 THICK SAE FLAT WASHER (1/4)	4
213	6491871	END COUPLING ROUND BEAD CHAIN	1
214	9120380	10-24 X 3/8 ROUND HEAD PHILLIPS MACHINE SCREW	1
215	9120330	10 EXTERNAL STAR LOCK WASHER	1
216	6491860	ROUND BEAD CHAIN (CUT LENGTH 6")	.5'
217	9121270	1/4-20 X 1 HEX BOLT	2
218	4894461	RUBBER STOP	2
219	6490701	CATCH ASSEMBLY	1
220	9120930	9/32 I.D. X 5/8 O.D. X .051/.080 THICK SAE FLAT WASHER (1/4)	2
221	9120900	1/4-20 HEX NUT WITH NY-LOK INSERT	2
222	9122100	3/8 SPLIT LOCK WASHER	4
223	9122220	3/8-16 X 3/4 HEX BOLT	4
224	6495461	CASTER BLOCK	1
225	6492061	RED 4 INCH CASTER	1
	4490391	CASTER WHEEL WITH BEARING	1
226	9122260	3/8-16 X 1 HEX BOLT	4
227	9122180	13/32 I.D. X 13/16 O.D. X .051/.080 THICK WROUGHT WASHER (3/8)	4
228	5490171	FULLY INSULATED MALE TERMINAL 14-16 GAGE	2
229	6495291	DRIVE MOTOR 36 VOLT	1
230	6495531	SPROCKET 40BS12H	1
230A	9120637	10-24 X 1/4 SET SCREW - CUP POINT	2
231	6495141	CASTER MOUNT	1
232	9120013	1/8 SQUARE X 1/2 LONG WOODRUFF KEY - STEEL	1
233	6495569	#40 ROLLER CHAIN 33 LINKS + MASTER - INCLUDES:	1
233A	2795211	LINK - MASTER #40 CHAIN	1
233B	6495541	#40 ROLLER CHAIN 33 LINKS NO MASTER	1
234	6495151	FRAME	1
235	9122220	3/8-16 X 3/4 HEX BOLT	4
236	9122100	3/8 SPLIT LOCK WASHER	4
237	9223105	3/4 I.D. X 1 1/4 O.D. X .071/.082 THICK FLAT WASHER (11 GAUGE)	2
238	4492791	BUSHING, PIVOT	2
239	9122450	17/32 I.D. X 1 1/16 O.D. X .074/.121 THICK SAE FLAT WASHER (1/2)	2
240	9122420	1/2 SPLIT LOCK WASHER	2
241	9122540	1/2-13 X 1 1/4 HEX BOLT	2
242	9121640	5/16-18 X 3/4 HEX BOLT	2
243	9121520	5/16 SPLIT LOCK WASHER	2
244	9121985	13/32 I.D. X 1 O.D. X .12 THICK FLAT WASHER (11 GAGE)	2
245	6495391	DRIVE WHEEL 9 X 1 5/8	2
246	9122075	3/8-16 X 1 1/2 HEX BOLT	4
247	6495061	PILLOW BLOCK BEARING WITH GRIP-IT BEARING RING	6
248	9122495	1/2-13 HEX NUT WITH NY-LOK INSERT - THIN	2
249	6495251	BASE LEG CHARGER WHEEL DRIVE - RIGHT	1
250	9120825	3/16 SQUARE X 7/8 LONG KEY - STEEL	2
251	9122100	3/8 SPLIT LOCK WASHER	4
252	9121990	3/8-16 HEX JAM NUT	4
253	6495101	DIFFERENTIAL - SHORT	1
254	6495521	SPROCKET 40A26	1
255	9122540	1/2-13 X 1 1/4 HEX BOLT	2
256	9122420	1/2 SPLIT LOCK WASHER	2
257	9122450	17/32 I.D. X 1 1/16 O.D. X .074/.121 THICK SAE FLAT WASHER (1/2)	2
258	6490691	LIFT ARM	2
259	4495141	LIFT ARM SPACER	2
260	6495501	PIVOT WELDMENT	1
261	9122220	3/8-16 X 3/4 HEX BOLT	6
262	9122100	3/8 SPLIT LOCK WASHER	6
263	4492791	BUSHING, PIVOT	2
264	9122450	17/32 I.D. X 1 1/16 O.D. X .074/.121 THICK SAE FLAT WASHER (1/2)	2
265	9122540	1/2-13 X 1 1/4 HEX BOLT	2
266	9121470	5/16-18 X 1 FLAT HEAD PHILLIPS MACHINE SCREW	4

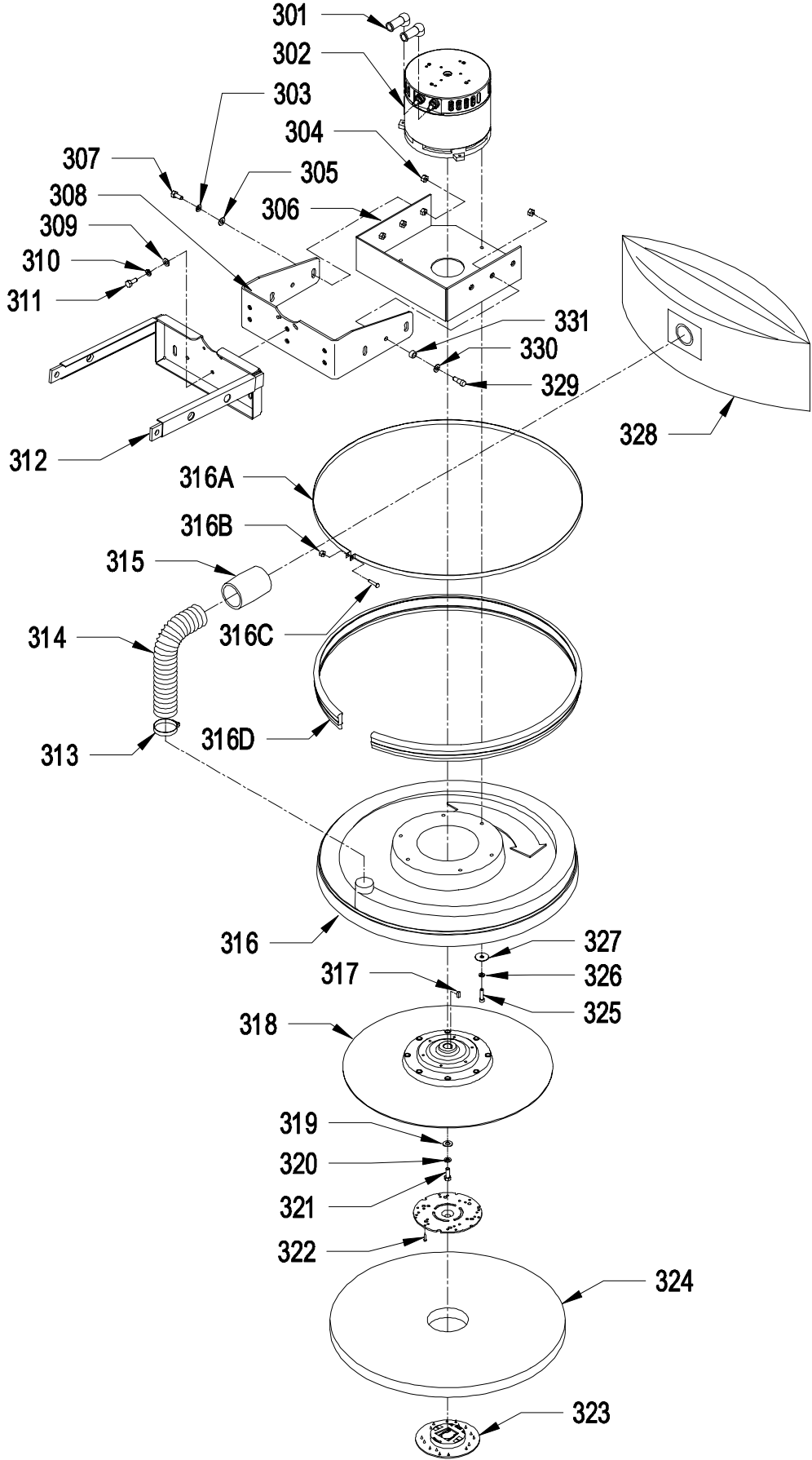
BASE - CHARGER 2025 DB



SHIELD AND PAD DRIVER

ITEM	PART NO.	DESCRIPTION	QTY.
301	6492051	STUD TERMINAL BOOT - RUBBER	2
302	6493521	MOTOR 36 VOLT	1
303	9121520	5/16 SPLIT LOCK WASHER – AB MODEL ONLY	6
304	9121430	5/16-18 THIN HEX NUT WITH NY-LOK INSERT	6
305	9121400	3/8 I.D. X 7/8 O.D. X .064/.104 THICK WROUGHT WASHER	4
306	4492663	MOTOR MOUNT	1
307	9121680	5/16-18 X 1 HEX BOLT - AB MODEL ONLY	4
308	6492163	PIVOT FORK - CHARGER 2025 AB	1
	6495601	MOTOR MOUNT MOUNTING FORK - CHARGER 2025 DB	1
309	9121390	11/32 I.D. X 11/16 O.D. X .051/.080 THICK SAE FLAT WASHER (5/16)	3
310	9121520	5/16 SPLIT LOCK WASHER	3
311	9121640	5/16-18 X 3/4 HEX BOLT	3
312	6495501	PIVOT WELDMENT	1
313	4495441	HOSE CLAMP, 1 9/16" - 2 1/2" DIAMETER	1
314	3392561	VAC EXHAUST HOSE	1
315	4495531	END CUFF - 2"	1
316	6490729	CW-FLEXIWALL SHIELD ASSEMBLY - INCLUDES:	1
316A	6490732	BUMPER STRAP	1
316B	9120350	10-24 HEX NUT WITH NY-LOK INSERT	1
316C	9120450	10-24 X 1 ROUND HEAD PHILLIPS MACHINE SCREW	1
316D	6490191	BUMPER / BRUSH	1
317	9120815	3/16 SQUARE X 1/2 LONG KEY - STEEL	1
318	6492568	PAD DRIVER - 20" ASSEMBLED & BALANCED	1
319	9121985	13/32 I.D. X 1 O.D. X .12 THICK FLAT WASHER (11 GAGE)	1
320	9121520	5/16 SPLIT LOCK WASHER	1
321	9121490	5/16-24 X 7/8 HEX BOLT	1
323	5990731	SPRING CLIP PAD HOLDER SET - INCLUDES:	1
322	9120810	10 X 1/2 PAN HEAD PHILLIPS SHEET METAL SCREW	3
324	6492001	20" LUST LITE BURNISH PAD - CASE (5)	1
325	9120980	1/4-20 X 1 SOCKET HEAD CAP SCREW	3
326	9120880	1/4 SPLIT LOCK WASHER	3
327	9120950	1/4 X 1 1/4 FENDER WASHER	3
328	5796101	PAPER BAG - 5 PACK	1
	6592801	VAC TRAC COLLECTION BAG - OPTIONAL	1
329	9122020	3/8 DIAMETER X 3/8 LONG SOCKET HEAD SHOULDER BOLT (5/16-18) (QTY. 6 ON DB MODEL)	2
330	9121400	3/8 I.D. X 7/8 O.D. X .064/.104 THICK WROUGHT WASHER	2
331	2691181	PIVOT SPACER - AB MODEL ONLY	2

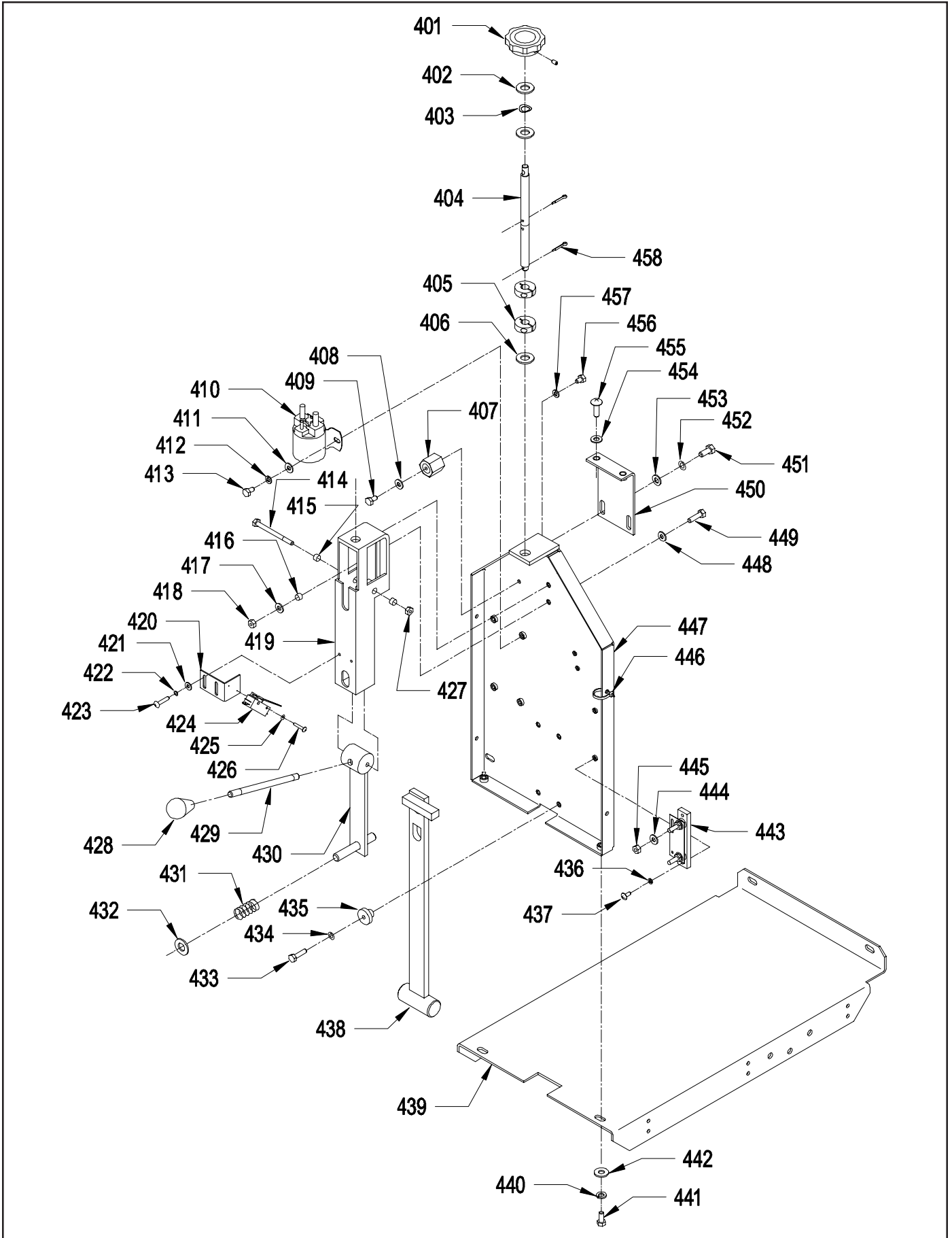
SHIELD AND PAD DRIVER



CONTROL FRAME - CHARGER 2025 AB

ITEM	PART NO.	DESCRIPTION	QTY.
401	4490521	LOAD ADJUST KNOB (INCLUDES SET SCREW)	1
402	9122450	17/32 I.D. X 1 1/16 O.D. X .074/.121 THICK SAE FLAT WASHER (1/2)	2
403	9122705	1/2 I.D. X 3/4 O.D. X .01 THICK 1 WAVE SPRING WASHER (1/2)	1
404	6490611	ADJUSTMENT ROD	1
405	6490621	ADJUSTMENT ROD COLLAR	2
406	9122180	13/32 I.D. X 13/16 O.D. X .051/.080 THICK SAE FLAT WASHER (3/8)	1
407	4490561	INSULATED STANDOFF	1
408	9120970	1/4 EXTERNAL STAR LOCK WASHER	1
409	9121210	1/4-20 X 5/8 HEX BOLT	1
410	4491011	SOLENOID, 36 VOLT	1
411	9120930	9/32 I.D. X 5/8 O.D. X .051/.080 THICK SAE FLAT WASHER (1/4)	2
412	9120880	1/4 SPLIT LOCK WASHER	2
413	9121170	1/4-20 X 1/2 HEX BOLT	2
414	9121287	1/4-20 X 2 1/2 HEX BOLT - STEEL	1
415	2791281	BUSHING SPACER	2
416	2791281	BUSHING SPACER	2
417	9120930	9/32 I.D. X 5/8 O.D. X .051/.080 THICK SAE FLAT WASHER (1/4)	2
418	9120900	1/4-20 HEX NUT WITH NY-LOK INSERT	2
419	6490601	ADJUSTMENT BRACKET	1
420	4495326	SWITCH BRACKET	1
421	9120370	7/32 I.D. X 1/2 O.D. X .032/.065 THICK SAE FLAT WASHER (10)	2
422	9120320	10 SPLIT LOCK WASHER	2
423	9120460	10-24 X 1 1/4 ROUND HEAD PHILLIPS MACHINE SCREW	2
424	4491071	SNAP SWITCH	1
425	9120130	6 EXTERNAL STAR LOCK WASHER	2
426	9120090	6-32 X 7/8 PAN HEAD PHILLIPS MACHINE SCREW	2
427	9120900	1/4-20 HEX NUT WITH NY-LOK INSERT	2
428	4490601	KNOB, RAISE / LOWER ROD	1
429	6490101	LATCH HANDLE	1
430	6490093	LATCH ASSEMBLY	1
431	4490631	COMPRESSION SPRING	1
432	9122450	17/32 I.D. X 1 1/16 O.D. X .074/.121 THICK SAE FLAT WASHER (1/2)	2
433	9121270	1/4-20 X 1 HEX BOLT	4
434	9120880	1/4 SPLIT LOCK WASHER	4
435	4495351	SPACER GUIDE	4
436	9120320	10 SPLIT LOCK WASHER	2
437	9120410	10-24 X 1/2 ROUND HEAD PHILLIPS MACHINE SCREW	2
438	6490701	CATCH ASSEMBLY	1
439	6495071	BASE PLATE	1
440	9121520	5/16 SPLIT LOCK WASHER	2
441	9121640	5/16-18 X 3/4 HEX BOLT	2
442	9121390	11/32 I.D. X 11/16 O.D. X .051/.080 THICK SAE FLAT WASHER (5/16)	2
443	4491031	SHUNT	1
444	9120971	1/4 EXTERNAL STAR LOCK WASHER	2
445	9120920	1/4-20 HEX NUT	2
446	9123005	1/8 X 5 1/2 WIRE TIE	4
447	6495511	CONTROL FRAME WELDMENT	1
448	9120970	1/4 EXTERNAL STAR LOCK WASHER	2
449	9121270	1/4-20 X 1 HEX BOLT	2
450	4492803	TOP SUPPORT BRACKET	1
451	9121640	5/16-18 X 3/4 HEX BOLT	2
452	9121520	5/16 SPLIT LOCK WASHER	2
453	9121390	11/32 I.D. X 11/16 O.D. X .051/.080 THICK SAE FLAT WASHER (5/16)	2
454	9121400	3/8 I.D. X 7/8 O.D. X .064/.104 THICK WROUGHT WASHER (5/16)	2
455	9121480	5/16-18 X 1 ROUND HEAD PHILLIPS MACHINE SCREW	2
456	9121160	1/4-20 X 3/8 HEX BOLT	1
457	9120880	1/4 SPLIT LOCK WASHER	4
458	9120310	1/8 X 3/4 COTTER PIN	3

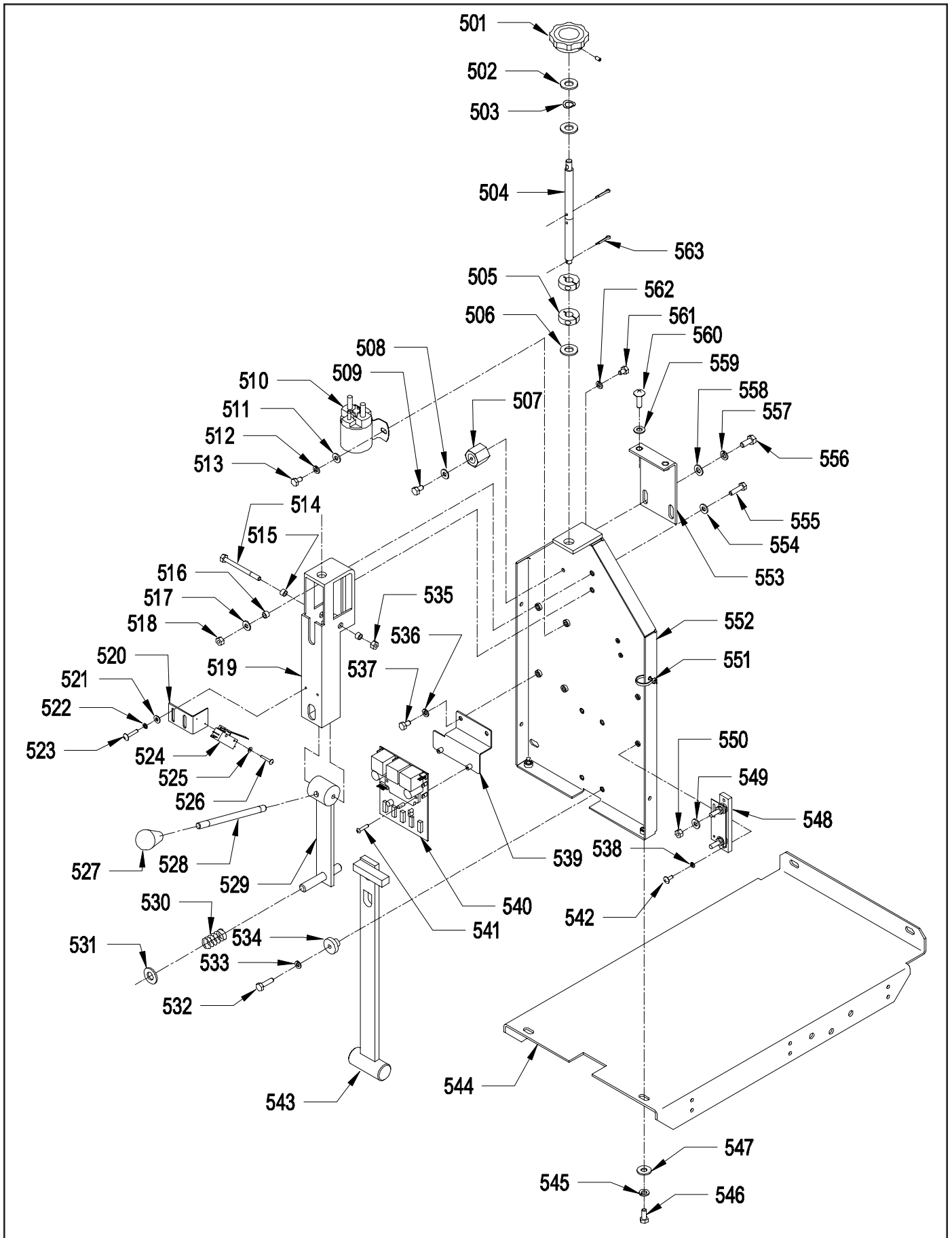
CONTROL FRAME - CHARGER 2025 AB



CONTROL FRAME - CHARGER 2025 DB

<u>ITEM</u>	<u>PART NO.</u>	<u>DESCRIPTION</u>	<u>QTY.</u>
501	4490521	LOAD ADJUST KNOB (INCLUDES SET SCREW)	1
502	9122450	17/32 I.D. X 1 1/16 O.D. X .074/.121 THICK SAE FLAT WASHER	2
503	9122705	1/2 I.D. X 3/4 O.D. X .01 THICK 1 WAVE SPRING WASHER (1/2)	1
504	6490611	ADJUSTMENT ROD	1
505	6490621	ADJUSTMENT ROD COLLAR	2
506	9122180	13/32 I.D. X 13/16 O.D. X .051/.080 THICK WROUGHT WASHER	1
507	4490561	INSULATED STANDOFF	1
508	9120970	1/4 EXTERNAL STAR LOCK WASHER	1
509	9121210	1/4-20 X 5/8 HEX BOLT	1
510	4491011	SOLENOID, 36 VOLT	1
511	9120930	9/32 I.D. X 5/8 O.D. X .051/.080 THICK SAE FLAT WASHER (1/4)	2
512	9120880	1/4 SPLIT LOCK WASHER	2
513	9121170	1/4-20 X 1/2 HEX BOLT	2
514	9121287	1/4-20 X 2 1/2 HEX HEAD BOLT - STEEL	1
515	2791281	BUSHING SPACER	2
516	2791281	BUSHING SPACER	2
517	9120930	9/32 I.D. X 5/8 O.D. X .051/.080 THICK SAE FLAT WASHER (1/4)	2
518	9120900	1/4-20 HEX NUT WITH NY-LOK INSERT	2
519	6490601	ADJUSTMENT BRACKET WELDMENT	1
520	4495326	SWITCH BRACKET	1
521	9120370	7/32 I.D. X 1/2 O.D. X .032/.065 THICK SAE FLAT WASHER (#10)	2
522	9120320	10 SPLIT LOCK WASHER	2
523	9120460	10-24 X 1 1/4 ROUND HEAD PHILLIPS MACHINE SCREW	2
524	4491071	SNAP SWITCH	1
525	9120130	6 EXTERNAL STAR LOCK WASHER	2
526	9120090	6-32 X 7/8 PAN HEAD PHILLIPS MACHINE SCREW	2
527	4490601	KNOB, RAISE / LOWER ROD	1
528	6490101	LATCH HANDLE	1
529	6490093	LATCH ASSEMBLY	1
530	4490631	COMPRESSION SPRING	1
531	9122450	17/32 I.D. X 1 1/16 O.D. X .074/.121 THICK SAE FLAT WASHER	1
532	9121270	1/4-20 X 1 HEX BOLT	4
533	9120880	1/4 SPLIT LOCK WASHER	4
534	4495351	SPACER GUIDE	4
535	9120900	1/4-20 HEX NUT WITH NY-LOK INSERT	1
536	9120880	1/4 SPLIT LOCK WASHER	2
537	9121170	1/4-20 X 1/2 HEX BOLT	2
538	9120320	10 SPLIT LOCK WASHER	2
539	6492473	SPEED CONTROL MOUNTING BRACKET	1
540	2690021	SPEED CONTROL, CURTIS	1
541	9120260	8-32 X 3/4 ROUND HEAD PHILLIPS MACHINE SCREW	2
542	9120410	10-24 X 1/2 ROUND HEAD PHILLIPS MACHINE SCREW	2
543	6490701	CATCH ASSEMBLY	1
544	6495071	BASE PLATE	1
545	9121520	5/16 SPLIT LOCK WASHER	2
546	9121640	5/16-18 X 3/4 HEX BOLT	2
547	9121390	11/32 I.D. X 11/16 O.D. X .051/.080 THICK SAE FLAT WASHER (5/16)	2
548	4491031	SHUNT	1
549	9120970	1/4 EXTERNAL STAR LOCK WASHER	2
550	9120920	1/4-20 HEX NUT	2
551	9123005	1/8 X 5 1/2 WIRE TIE	4
552	6495511	CONTROL FRAME WELDMENT	1
553	4492803	TOP SUPPORT BRACKET	1
554	9120970	1/4 EXTERNAL STAR LOCK WASHER	2
555	9121270	1/4-20 X 1 HEX BOLT	2
556	9121640	5/16-18 X 3/4 HEX BOLT	2
557	9121520	5/16 SPLIT LOCK WASHER	2
558	9121390	11/32 I.D. X 11/16 O.D. X .051/.080 THICK SAE FLAT WASHER (5/16)	2
559	9121400	3/8 I.D. X 7/8 O.D. X .064/.104 THICK WROUGHT WASHER (5/16)	2
560	9121480	5/16-18 X 1 ROUND HEAD PHILLIPS MACHINE SCREW	2
561	9121170	1/4-20 X 1/2 HEX BOLT	1
562	9120880	1/4 SPLIT LOCK WASHER	1
563	9120310	1/8 X 3/4 COTTER PIN	3

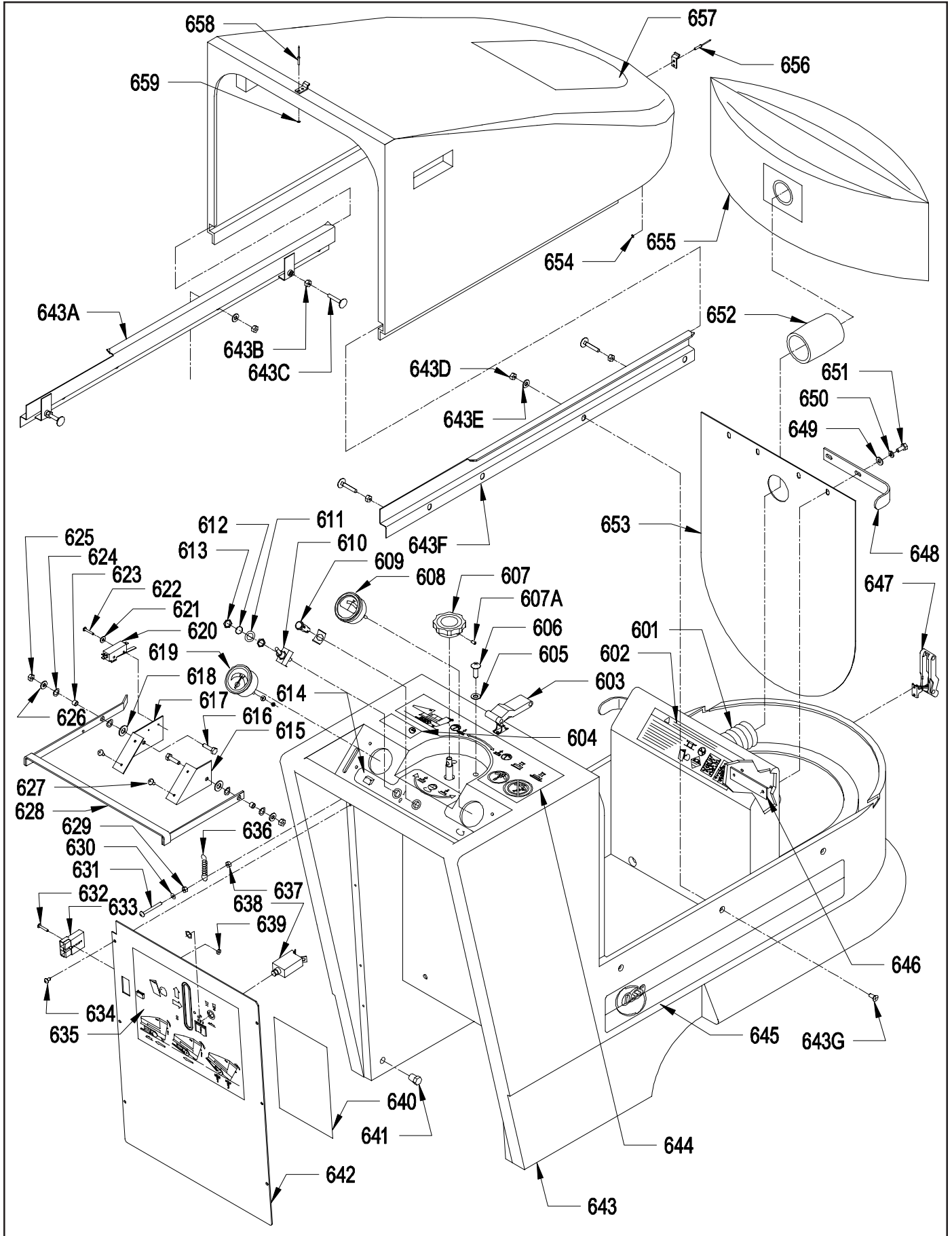
CONTROL FRAME - CHARGER 2025 DB



HOUSING - CHARGER 2025 AB

ITEM	PART NO.	DESCRIPTION	QTY.
601	3392561	HOSE 2" DIAMETER X 3 FEET LONG	1
602	6495301	BATTERY WARNING DECAL	1
603	6491171	SOFT DRAW LATCH WITH CONCEALED KEEPER	1
604	6493081	NAME IDENTIFIER DECAL CHARGER 2025 AB	1
605	9121400	3/8 I.D. X 7/8 O.D. X .064/.104 THICK WROUGHT WASHER (5/16)	2
606	9121480	5/16-18 X 1 ROUND HEAD PHILLIPS MACHINE SCREW	2
607	4490521	LOAD ADJUST KNOB (INCLUDES SET SCREW)	1
607A	9120650	10-32 X 3/4 SET SCREW	1
608	4491041	RPM METER WITH HARDWARE	1
609	2691981	LIGHT - INDICATOR, GREEN, 35 VOLT, WITH CLIP	1
610	4491101	TOGGLE SWITCH, MOTOR	1
611	9122465	.516 I.D. X .813 O.D. X .027/.030 THICK FLAT WASHER	1
612	0691851	1/2 INTERNAL STAR LOCK WASHER	1
613	0798821	5/8 HEX NUT	1
614	6492801	DASH PANEL DECAL	1
615	4492901	SWITCH PLATE - RIGHT	1
616	9121270	1/4-20 X 1 HEX BOLT	2
617	4492881	SWITCH PLATE - LEFT	1
618	9122180	13/32 I.D. X 13/16 O.D. X .051/.080 THICK SAE FLAT WASHER (3/8)	2
619	4491051	BATTERY METER 36 VOLT	1
620	4491071	SNAP SWITCH	1
621	9120040	6 INTERNAL STAR LOCK WASHER	2
622	9120090	6-32 X 7/8 PAN HEAD PHILLIPS MACHINE SCREW	2
623	2791281	BUSHING SPACER	2
624	9122120	3/8 I.D. X 5/8 O.D. X .031 THICK 1 WAVE SPRING WASHER (3/8)	4
625	9120900	1/4-20 HEX NUT WITH NY-LOK INSERT	2
626	9120930	9/32 I.D. X 5/8 O.D. X .051/.080 THICK SAE FLAT WASHER (1/4)	2
627	9120510	10-24 X 1/2 TRUSS HEAD PHILLIPS MACHINE SCREW	4
628	4493046	HANDLE	1
629	9120360	10-24 HEX NUT WITH STAR LOCK WASHER	1
630	9120370	7/32 I.D. X 1/2 O.D. X .032/.065 THICK SAE FLAT WASHER (10)	1
631	9120480	10-24 X 1 3/4 ROUND HEAD PHILLIPS MACHINE SCREW	1
632	9120090	6-32 X 7/8 PAN HEAD PHILLIPS MACHINE SCREW	2
633	4491901	CHARGER PLUG ONLY - GRAY 36 VOLT	1
	6490821	WIRE ASSEMBLY, ANDERSON TO SOL./STANDOFF 36 VOLT	1
634	9120790	10 X 5/8 PAN HEAD PHILLIPS SHEET METAL SCREW	8
635	6492891	DECAL - PAD POSITION	1
636	4490641	EXTENSION SPRING	1
637	9120350	10-24 HEX NUT WITH NY-LOK INSERT	1
638	4490701	CIRCUIT BREAKER - 70 AMP/ETA	1
639	9120020	6-32 HEX NUT WITH STAR LOCK WASHER	2
640	6492931	WIRING DIAGRAM DECAL	1
641	6490951	1/4 MPT PLUG	2
642	6495491	REAR COVER PANEL	1
643	6490011	HOUSING WITH SLIDE RAILS - INCLUDES	1
643A	6495441	SLIDE RAIL, LEFT	1
643B	9120920	1/4-20 HEX NUT	4
643C	9121039	1/4-20 X 1 1/2 ELEVATOR BOLT - ZINC PLATED	4
643D	9120900	1/4-20 HEX NUT WITH NY-LOK INSERT	6
643E	9120930	9/32 I.D. X 5/8 O.D. X .051/.080 THICK SAE FLAT WASHER (1/4)	6
643F	6495431	SLIDE RAIL, RIGHT	1
643G	9121037	1/4-20 X 5/8 FLAT HEAD PHILLIPS HEAD PHILLIPS MACHINE SCREW	6
644	6495791	ENGLISH/SPANISH OPERATION DECAL	1
645	6493061	SIDE DECAL - 3.5 X 26	2
646	6491211	TAPPING PLATE	2
647	6491171	SOFT DRAW LATCH WITH CONCEALED KEEPER	1
648	6491193	HOOD STOP / SUPPORT BRACKET	2
649	9120930	9/32 I.D. X 5/8 O.D. X .051/.080 THICK SAE FLAT WASHER (1/4)	4
650	9120880	1/4 SPLIT LOCK WASHER	4
651	9121270	1/4-20 X 1 HEX BOLT	4
652	4495531	END CUFF - 2"	1
653	6492261	RUBBER MOTOR COVER	1
654	9120185	5/32 I.D. X 1/2 O.D. WASHER - STEEL - ZINC PLATE	4
655	5796101	PAPER BAG - 5 PACK	1
	6592801	CLOTH FILTER BAG (OPTIONAL)	1
656	9120317	5/32 X 5/8 DOME HEAD POP RIVET - STEEL	4
657	6492871	HOOD DECAL	1
658	9120317	5/32 X 5/8 DOME HEAD POP RIVET - STEEL	4
659	9120185	5/32 I.D. X 1/2 O.D. WASHER - STEEL - ZINC PLATE	4

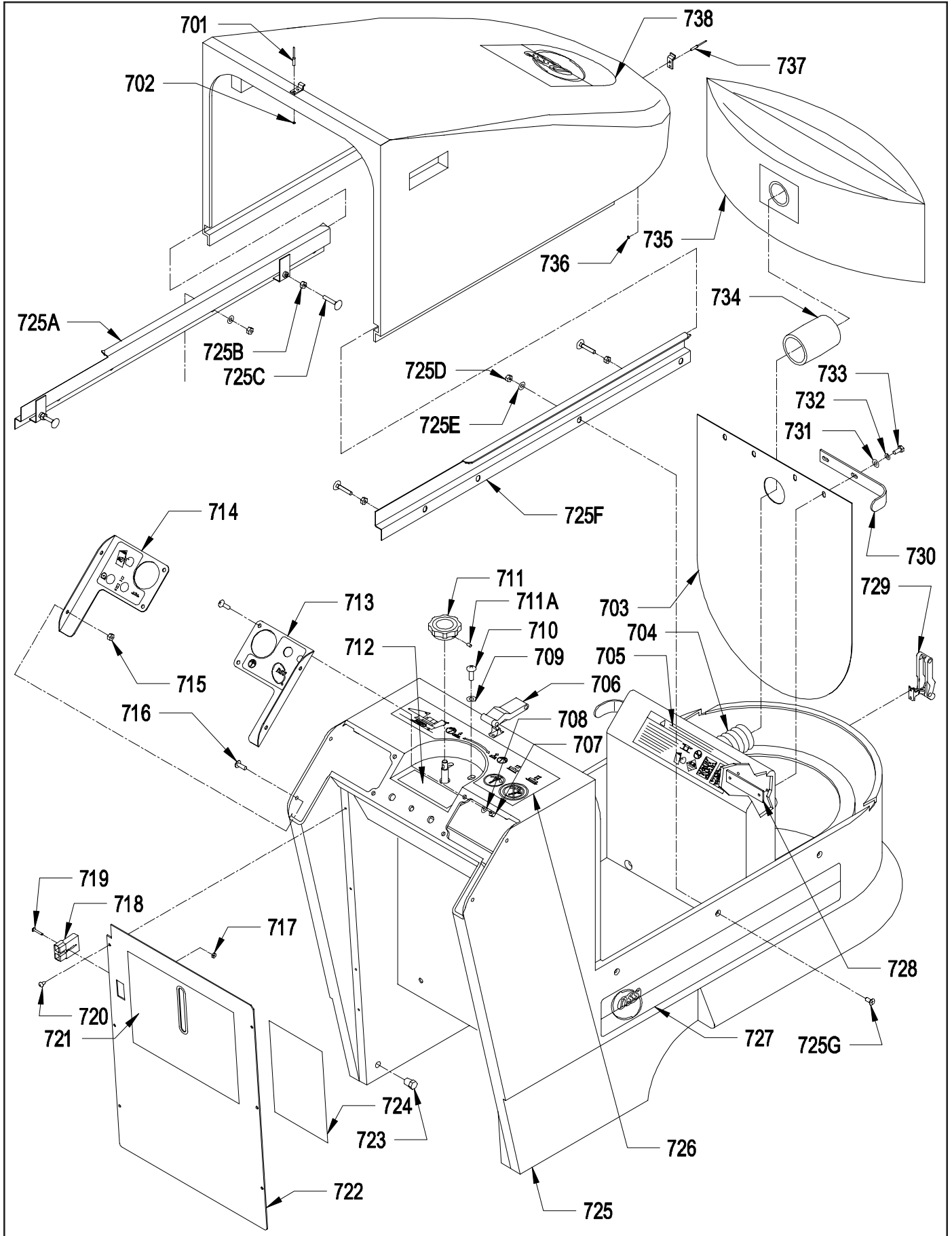
HOUSING - CHARGER 2025 AB



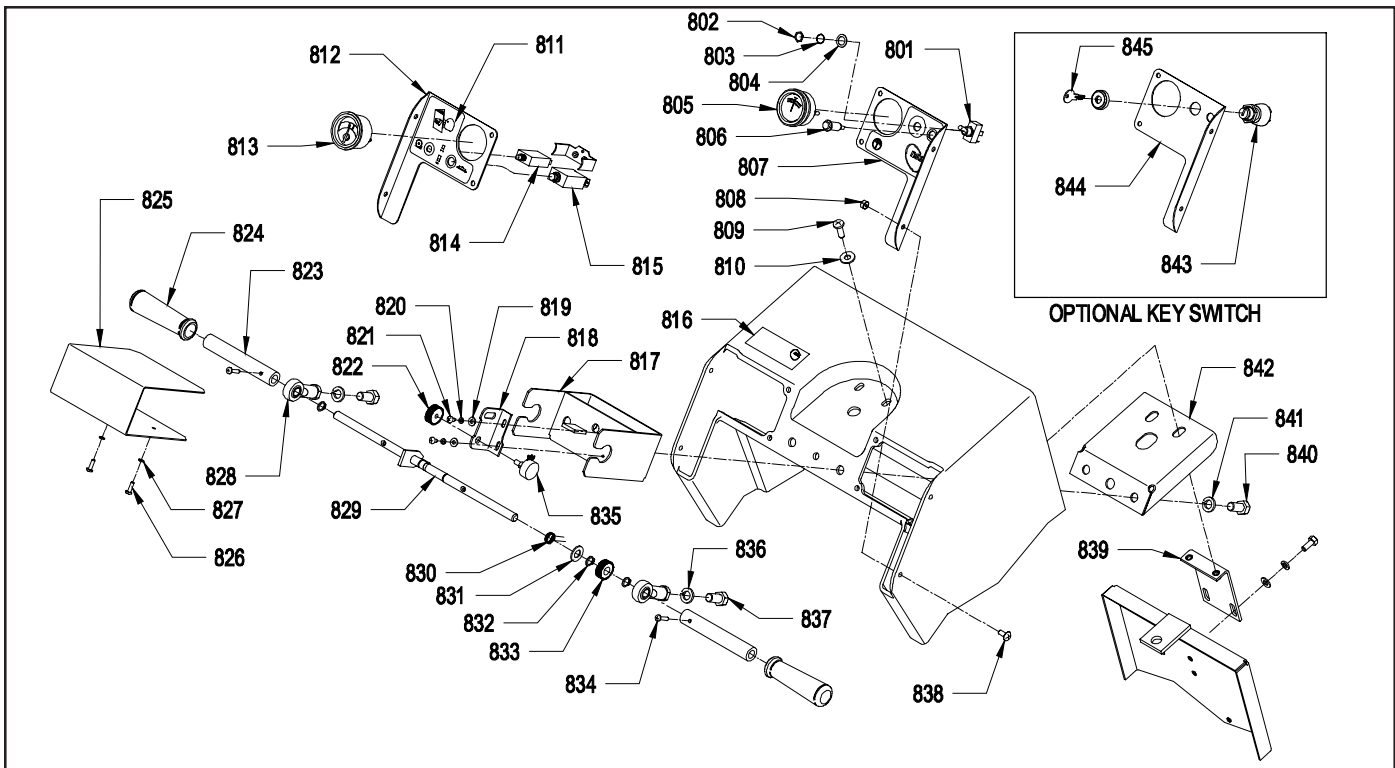
HOUSING - CHARGER 2025 DB

<u>ITEM</u>	<u>PART NO.</u>	<u>DESCRIPTION</u>	<u>QTY.</u>
701	9120317	5/32 X 5/8 DOME HEAD POP RIVET - STEEL	4
702	9120185	5/32 I.D. X 1/2 O.D. WASHER - STEEL - ZINC PLATE	4
703	6492261	RUBBER MOTOR COVER	1
704	3392561	VAC EXHAUST HOSE	1
705	6495301	BATTERY WARNING DECAL	1
706	6491171	SOFT DRAW LATCH WITH CONCEALED KEEPER	1
707	9120900	1/4-20 HEX NUT WITH NY-LOK INSERT	4
708	9120930	9/32 I.D. X 5/8 O.D. X .051/.080 THICK SAE FLAT WASHER (1/4)	4
709	9121400	3/8 I.D. X 7/8 O.D. X .064/.104 THICK WROUGHT WASHER (5/16)	2
710	9121480	5/16-18 X 1 ROUND HEAD PHILLIPS MACHINE SCREW	2
711	4490521	LOAD ADJUST KNOB (INCLUDES SET SCREW)	1
711A	9120650	10-32 X 3/4 SET SCREW	1
712	6495191	CONTROL PANEL DECAL KIT	1
713	6495171	CONTROL PANEL - RIGHT	1
714	6495181	CONTROL PANEL - LEFT	1
715	9120900	1/4-20 HEX NUT WITH NY-LOK INSERT	8
716	9121000	1/4-20 X 5/8 TRUSS HEAD PHILLIPS MACHINE SCREW	8
717	9120020	6-32 HEX NUT WITH STAR LOCK WASHER	2
718	4491901	CHARGER PLUG ONLY - GRAY 36 VOLT	1
	6490821	WIRE ASSEMBLY - ANDERSON / STANDOFF	1
719	9120090	6-32 X 7/8 PAN HEAD PHILLIPS MACHINE SCREW	2
720	9120790	10 X 5/8 PAN HEAD PHILLIPS SHEET METAL SCREW	8
721	6495201	REAR PANEL DECAL	1
722	6495491	REAR COVER PANEL	1
723	6490951	1/4 MPT PLUG	2
724	6495211	WIRING DIAGRAM DECAL	1
725	6495081	HOUSING WITH SLIDE RAILS - INCLUDES:	1
725A	6495441	SLIDE RAIL, LEFT	1
725B	9120920	1/4-20 HEX NUT	4
725C	9121039	1/4-20 X 1 1/2 ELEVATOR BOLT - ZINC PLATED	4
725D	9120900	1/4-20 HEX NUT WITH NY-LOK INSERT	6
725E	9120930	9/32 I.D. X 5/8 O.D. X .051/.080 THICK (1/4) SAE FLAT WASHER	6
725F	6495431	SLIDE RAIL, RIGHT	1
725G	9121037	1/4-20 X 5/8 FLAT HEAD PHILLIPS MACHINE SCREW	6
726	6495791	ENGLISH/SPANISH OPERATION DECAL	1
727	6493061	SIDE DECAL 3.5 X 26	2
728	6491211	TAPPING PLATE	2
729	6491171	SOFT DRAW LATCH WITH CONCEALED KEEPER	1
730	6491193	HOOD STOP / SUPPORT BRACKET	2
731	9120930	9/32 I.D. X 5/8 O.D. X .051/.080 THICK (1/4) SAE FLAT WASHER	4
732	9120880	1/4 SPLIT LOCK WASHER	4
733	9121270	1/4-20 X 1 HEX BOLT	4
734	4495531	END CUFF - 2"	1
735	5796101	PAPER BAG - 5 PACK	1
	6592801	CLOTH FILTER BAG (OPTIONAL)	1
736	9120185	5/32 I.D. X 1/2 O.D. WASHER - STEEL - ZINC PLATE	4
737	9120317	5/32 X 5/8 DOME HEAD POP RIVET - STEEL	4
738	6492871	HOOD DECAL	1

HOUSING - CHARGER 2025 DB



TWISTED GRIP CONTROL



ITEM	PART NO.	DESCRIPTION	QTY.
801	4491101	TOGGLE SWITCH, MOTOR	1
802	0798821	5/8" HEX NUT (LARGE NUT)	1
803	0691851	1/2 INTERNAL STAR LOCK WASHER	1
804	9122465	.516 I.D. X .813 O.D. X .027/.030 THICK FLAT WASHER	1
805	4491041	RPM METER WITH HARDWARE	1
806	2691981	LIGHT - INDICATOR, GREEN, 35 VOLT, WITH CLIP	1
807	6495171	CONTROL PANEL - RIGHT	1
808	9120900	1/4-20 HEX NUT WITH NY-LOK INSERT	8
809	9121480	5/16-18 X 1 ROUND HEAD PHILLIPS MACHINE SCREW	2
810	9121400	3/8 I.D. X 7/8 O.D. X .064/.104 THICK WROUGHT WASHER (5/16)	2
811	6495191	CONTROL PANEL DECAL KIT	1
812	6495181	CONTROL PANEL - LEFT	1
813	4491051	BATTERY METER WITH HARDWARE	1
814	2392201	CIRCUIT BREAKER, 115V 10 AMP	1
815	4490701	CIRCUIT BREAKER - 70 AMP/ETA	1
816	6493091	IDENTIFIER DECAL CHARGER 2025 DB	1
817	6495021	HANDLE BOX - TWISTED GRIP	1
818	6495051	POTENTIOMETER MOUNTING BRACKET	1
819	9120370	7/32 I.D. X 1/2 O.D. X .032/.065 THICK FLAT WASHER (#10)	2
820	9120320	10 SPLIT LOCK WASHER	2
821	9120410	10-24 X 1/2 ROUND HEAD PHILLIPS MACHINE SCREW	2
822	2691941	DRIVEN GEAR, POTENTIOMETER - INCLUDES:	1
	9120170	8-32 X 3/16 SET SCREW - KNURL POINT - STEEL	2
823	2691871	HANDLE GRIP BASE	2
824	3392901	HANDLE GRIP	2
825	6495031	HANDLE BOX COVER	1
826	9120410	10-24 X 1/2 ROUND HEAD PHILLIPS MACHINE SCREW	2
827	9120320	10 SPLIT LOCK WASHER	2
828	2391941	BALL JOINT	2
829	6495011	HANDLE BAR	1
830	3392661	TORSION SPRING	1
831	9122450	17/32 I.D. X 1 1/16 O.D. X .074/.121 THICK FLAT WASHER (1/2)	1
832	5091701	RETAINING RING	3
833	2691931	DRIVE GEAR, HANDLE BAR - INCLUDES:	1
	9120170	8-32 X 3/16 SET SCREW - KNURL POINT - STEEL	2
834	9120270	8-32 X 7/8 ROUND HEAD PHILLIPS MACHINE SCREW	2
835	2694131	POTENTIOMETER, CURTIS SPEED CONTROL	1
836	9122420	1/2 SPLIT LOCK WASHER	2
837	9122530	1/2-13 X 1 HEX BOLT	2
838	9121000	1/4-20 X 5/8 TRUSS HEAD PHILLIPS MACHINE SCREW	8
839	4492803	TOP SUPPORT BRACKET	1
840	9122530	1/2-13 X 1 HEX BOLT	2
841	9122420	1/2 SPLIT LOCK WASHER	2
842	6495041	HANDLE BOX MOUNTING PLATE	1
843	2795711	KEY SWITCH & KEY	1
844	6495161	KEY SWITCH CONTROL PANEL - RIGHT	1
845	2796131	REPLACEMENT KEY	1

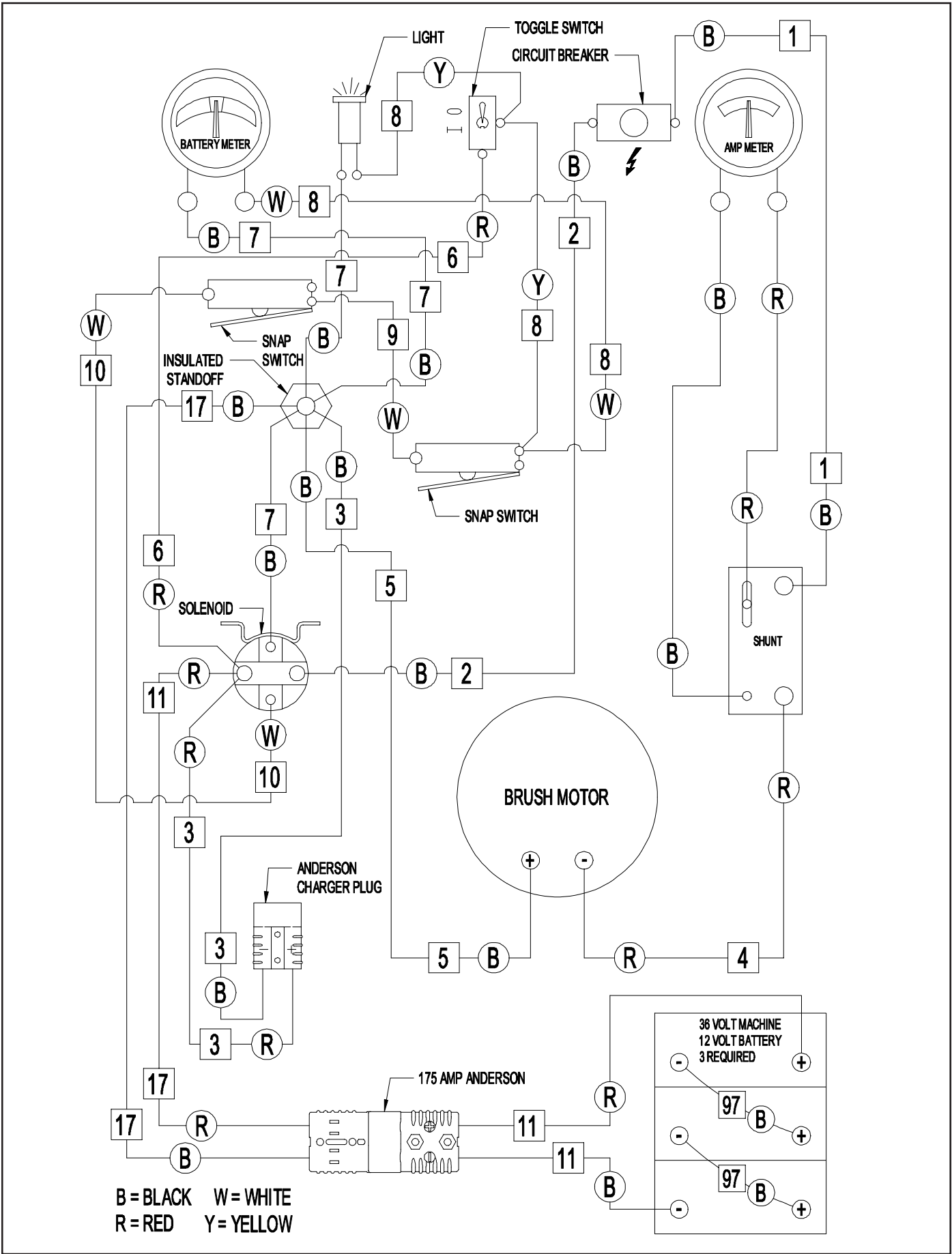
WIRING DIAGRAM - CHARGER 2025 AB

ITEM	PART NO.	DESCRIPTION	QTY.
1	6490801	WIRE ASSEMBLY, BREAKER TO SHUNT	1
2	6490811	WIRE ASSEMBLY, SOLENOID TO BREAKER	1
3	6490821	WIRE ASSEMBLY, ANDERSON TO SOLENOID / STANDOFF	1
4	6495121	WIRE ASSEMBLY, SHUNT TO MOTOR	1
5	6495131	WIRE ASSEMBLY, MOTOR TO STANDOFF	1
6	6490851	WIRE ASSEMBLY, SOLENOID TO MAIN SWITCH	1
7	6490861	WIRE ASSEMBLY, SOLENOID / LIGHT / VOLT METER TO STANDOFF	1
8	6490871	WIRE ASSEMBLY, SAFETY SWITCH TO VOLT METER / MAIN SWITCH TO LIGHT	1
9	6490881	WIRE ASSEMBLY, HANDLE SWITCH TO SAFETY SWITCH	1
10	6490891	WIRE ASSEMBLY, SOLENOID TO HANDLE SWITCH	1
11	7691661	WIRE ASSEMBLY, ANDERSON - POS./NEG. BATTERY 36 VOLT	1
17	6491831	WIRE ASSEMBLY, ANDERSON TO SOLENOID / STANDOFF	1
97	2391981	BATTERY JUMPER 3/8" RING #97	2
-	2397361	HOUR METER - OPTIONAL	1
-	2691981	INDICATOR LIGHT - GREEN LENS / 35 VOLT WITH CLIP	1
-	4490561	INSULATED STANDOFF	1
-	4490701	CIRCUIT BREAKER - 70 AMP/ETA	1
-	4491011	SOLENOID, 36 VOLT	1
-	4491031	SHUNT	1
-	4491041	RPM METER WITH HARDWARE	1
-	4491051	BATTERY METER 36 VOLT WITH HARDWARE	1
-	4491061	BATTERY, 185 AMP/HR, 12 VOLT	3
-	4491071	SNAP SWITCH	2
-	4491101	TOGGLE SWITCH, MOTOR	1
-	4491901	CHARGER PLUG ONLY - GRAY 36 VOLT	1
-	6491841	175 AMP ANDERSON WITH CONTACTS GRAY 36 VOLT	2
-	6493521	MOTOR, 36 VOLT - 2500 RPM	1
-	6495621	HOUR METER LEADS - OPTIONAL	1
-	9123005	1/8 X 5 1/2 WIRE TIE	6

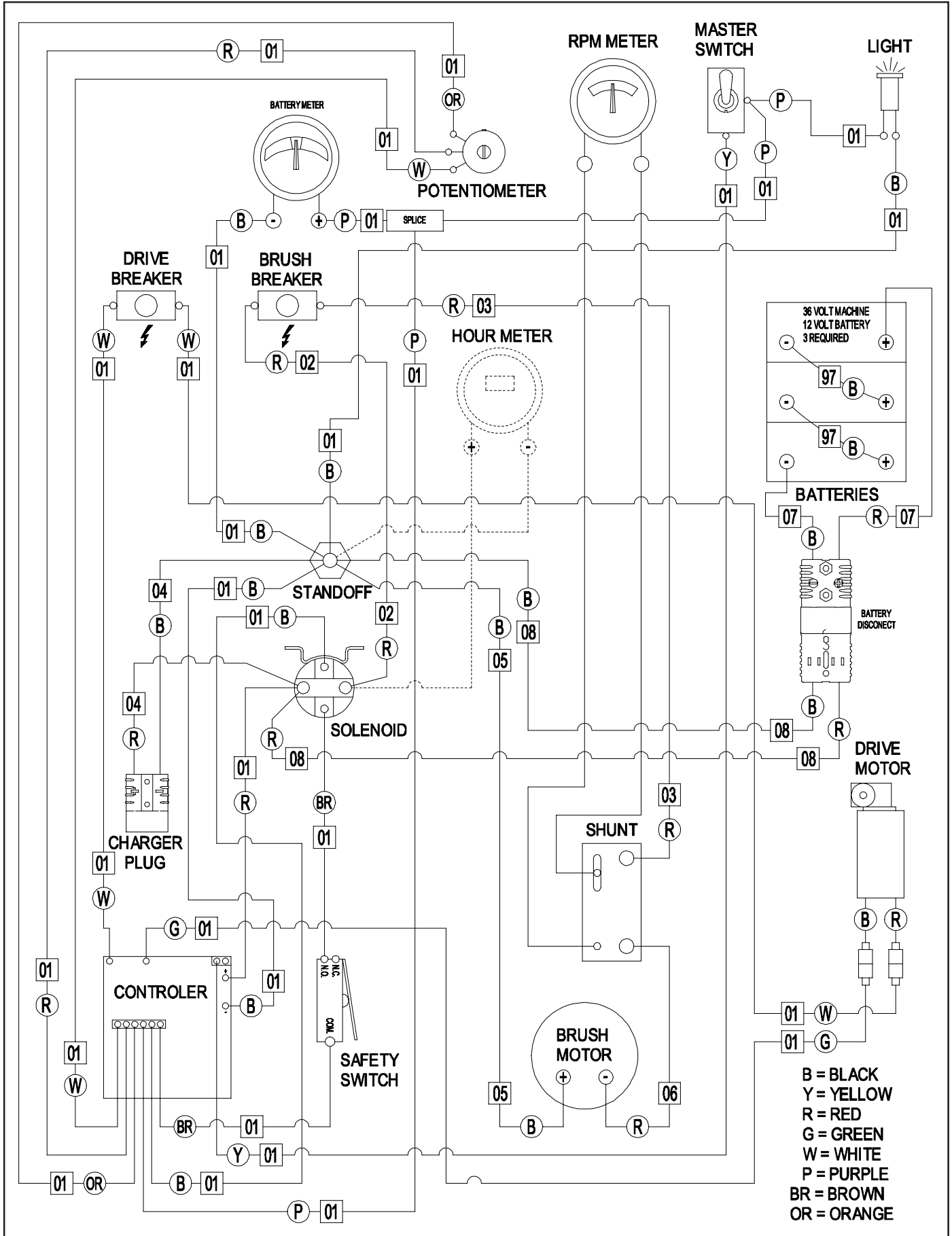
WIRING DIAGRAM - CHARGER 2025 DB

ITEM	PART NO.	DESCRIPTION	QTY.
1	6495321	WIRE HARNESS	1
2	6495331	WIRE ASSEMBLY, SOLENOID TO BRUSH BREAKER	1
3	6495341	WIRE ASSEMBLY, BRUSH BREAKER TO SHUNT	1
4	6490821	WIRE ASSEMBLY, ANDERSON TO SOLENOID / STANDOFF	1
5	6495131	WIRE ASSEMBLY, MOTOR TO STANDOFF	1
6	6495121	WIRE ASSEMBLY, SHUNT TO MOTOR	1
7	7691661	WIRE ASSEMBLY, ANDERSON - POS./NEG. BATTERY 36 VOLT	1
8	6491831	WIRE ASSEMBLY, ANDERSON - SOLENOID / STANDOFF 36 VOLT	1
97	2391981	BATTERY JUMPER 3/8" RING #97	2
—	2397361	HOUR METER - OPTIONAL	1
—	2392201	CIRCUIT BREAKER, 115 VOLT 10 AMP (DRIVE)	1
—	2690021	SPEED CONTROL, CURTIS	1
—	2691981	INDICATOR LIGHT - GREEN LENS, 36 VOLT WITH CLIP	1
—	2694131	POTENTIOMETER, CURTIS CONTROL	1
—	4490561	INSULATED STANDOFF	1
—	4490701	CIRCUIT BREAKER - 70 AMP/ETA (BRUSH)	1
—	4491011	SOLENOID, 36 VOLT	1
—	4491031	SHUNT	1
—	4491041	RPM METER WITH HARDWARE	1
—	4491051	BATTERY METER WITH HARDWARE	1
—	4491061	BATTERY, 205 AMP/HR, 12 VOLT	3
—	4491071	SNAP SWITCH (SAFETY)	1
—	4491101	TOGGLE SWITCH, MOTOR	1
—	4491901	CHARGER PLUG ONLY - GRAY 36 VOLT	1
—	6491841	175 AMP ANDERSON WITH CONTACTS GRAY 36 VOLT	2
—	6493521	MOTOR 36 VOLT - 2500 RPM, 2.5 HP	1
—	6495291	DRIVE MOTOR 36 VOLT	1
—	6495621	HOUR METER LEADS - OPTIONAL	1
—	9123005	1/8 X 5 1/2 WIRE TIE	5

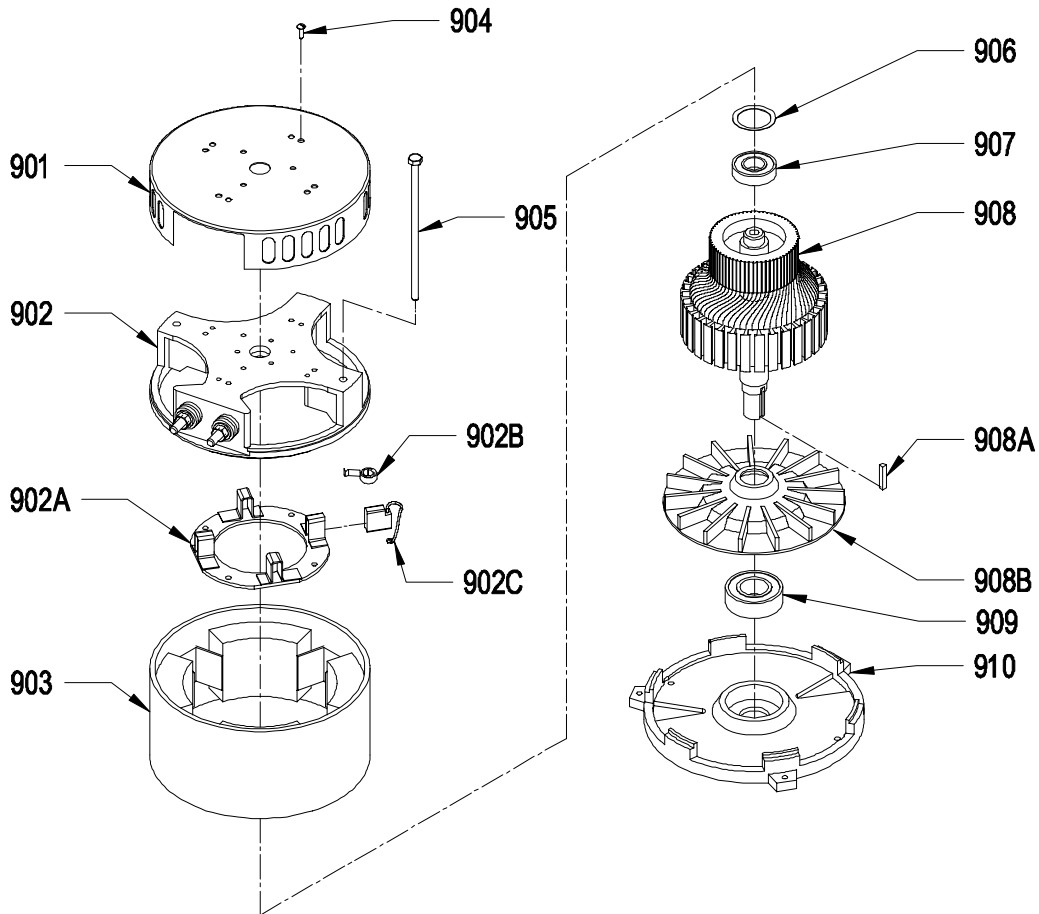
WIRING DIAGRAM - CHARGER 2025 AB



WIRING DIAGRAM - CHARGER 2025 DB



MOTOR



ITEM	PART NO.	DESCRIPTION	QTY.
	6493521	MOTOR 2500 RPM, 36 VOLT - INCLUDES:	1
901	5991731	COMMUTATOR BRACKET COVER	1
	6493531	COMMUTATOR BRACKET ASSEMBLY - INCLUDES:	1
902	6493541	COMMUTATOR BRACKET	1
902A	6493601	BRUSH BOARD ASSEMBLY - INCLUDES:	1
902B	6493591	SPRING	2
902C	7692041	CARBON BRUSH	2
903	5991521	STATOR FRAME ASSEMBLY - WITH CLIPS AND MAGNETS	1
904	9120600	10-24 X 1/2 PAN HEAD PHILLIPS THREAD CUTTING SCREW	4
905	5991701	THRU BOLT	2
906	5991741	HELICAL WASHER - LARGE	1
907	5991551	BEARING - TOP END	1
908	6493611	ARMATURE - 2500 RPM - INCLUDES:	1
908A	9120827	3/16 SQUARE X 1 LONG KEY - STEEL	1
908B	6493571	ALUMINUM FAN	1
909	5991541	BEARING - BOTTOM END	1
910	6493551	BEARING END BRACKET	1



NSS ® Enterprises, Inc.

3115 Frenchmens Road, Toledo, Ohio 43607

PHONE (419) 531-2121 FAX (419) 531-3761

NSS ® Enterprises, Inc. European Distribution Centre
Unit II, Pinfold Trading Estate * 55 Nottingham Road
STAPLEFORD, NOTTINGHAM NG9 8AD ENGLAND U.K.

PHONE: (44) 0115 939 1568 * FAX: (44) 0115 949 0615