



## Electronic Service Manuals

This electronic document is provided as a service to our customers. We do not create the contents of the information contained in this document. Should you have detailed questions pertaining to the information contained in this document, you may contact Michco, or the manufacturer which provided the original information in this electronic deliverable. Michco's only part in this electronic deliverable was the electronic assembly process. By providing this manual on line we are not guaranteeing parts availability.

You may contact Michco through the following methods:

Phone (517) 484-9312 or (800) 331-3339

2011 N. High St. -- Lansing, Michigan -- 48906

Fax: (517) 484-9836

Email: [CustServe@Michco.com](mailto:CustServe@Michco.com)

Web site: [www.Michco.Com](http://www.Michco.Com)

Parts Web site: [www.FloorMachineParts.Com](http://www.FloorMachineParts.Com)

Order Parts on Line at:

**[www.FloorMachineParts.Com](http://www.FloorMachineParts.Com)**

Directly to Parts & Service:

By Email: **[Shop@Michco.com](mailto:Shop@Michco.com)**

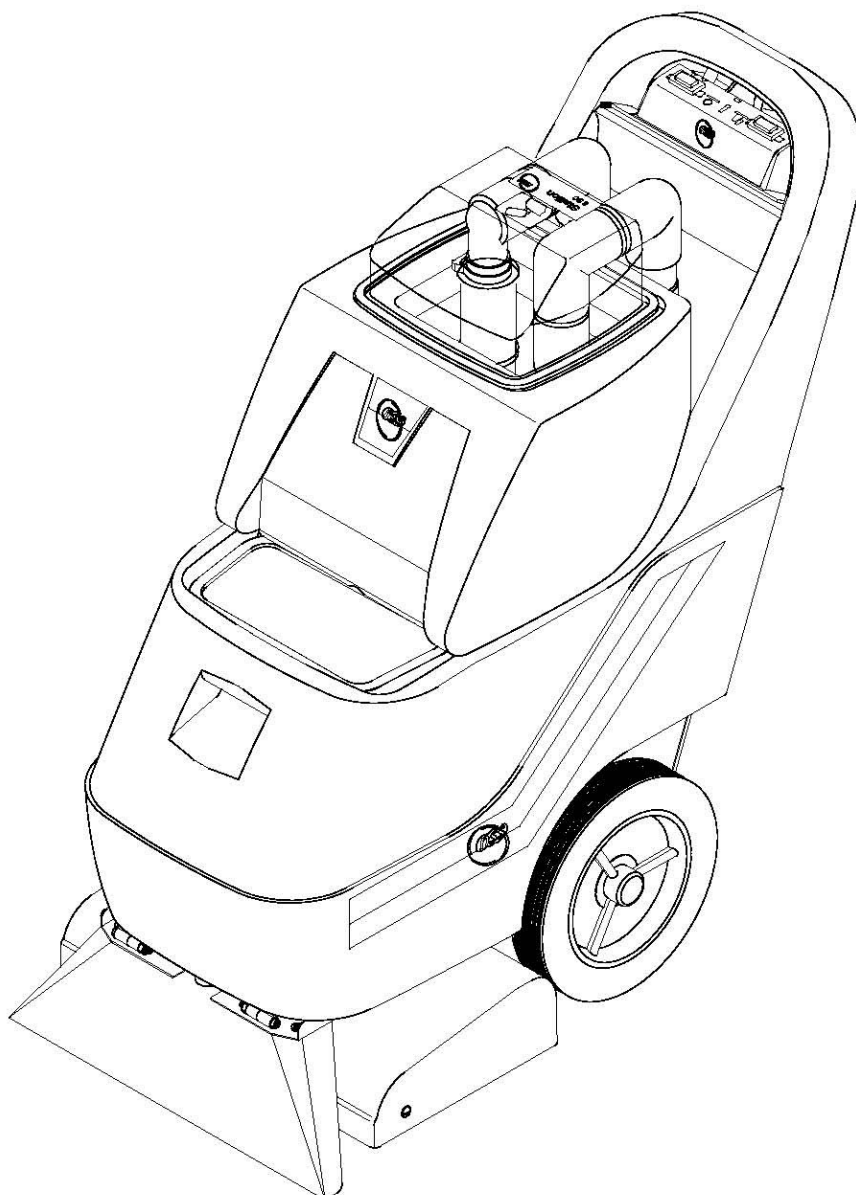
By Fax: (517) 702-2041

By Voice: Use numbers above.

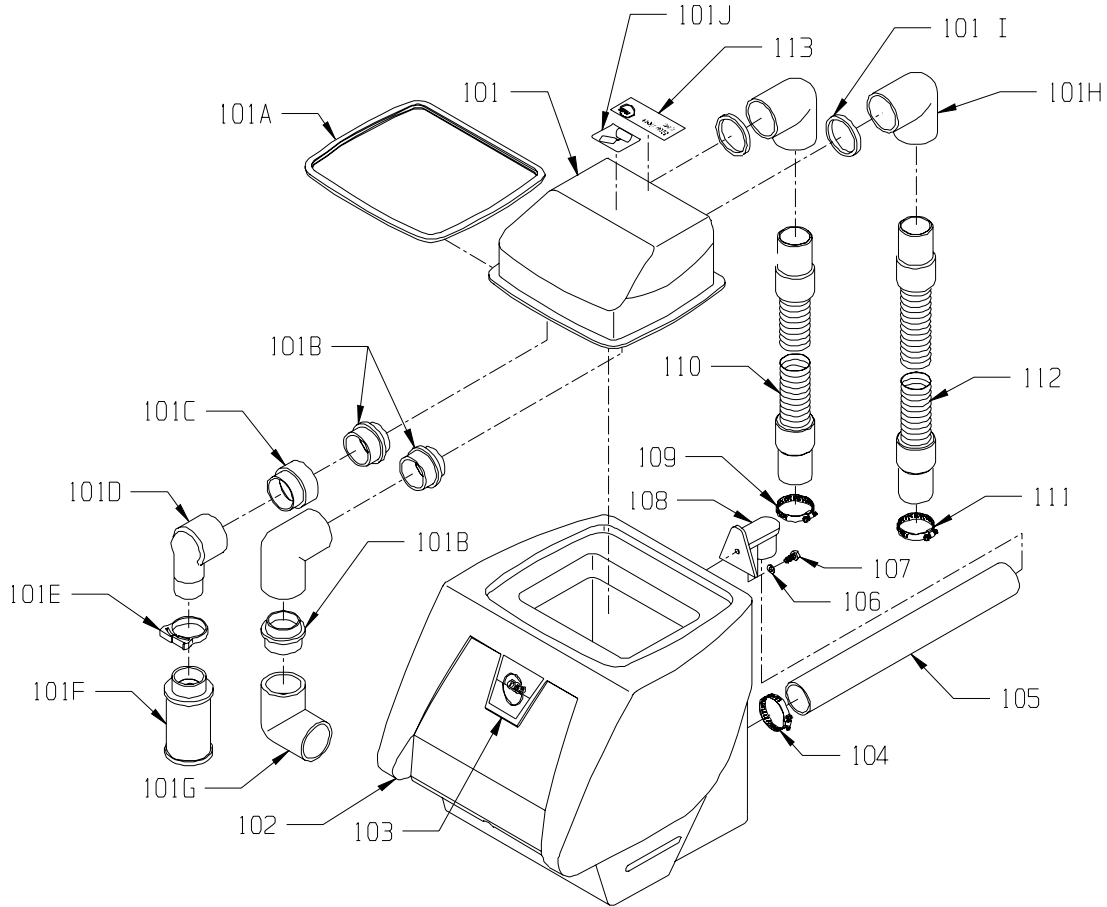
**Serving the Cleaning Industry Since 1922**

Notice: All copyrighted material remains property of original owners, all trademarks are property of respective owners. Manuals are subject to Manufacturer's reproduction limitations. Originals or reproductions were provided by manufacturers through a request. We make no warranty as to the correctness of information provided in this document and you assume all risk. By placing these manuals on line we are not declaring our corporation to be an manufacturer authorized dealer or provider, please check our web site for authorized manufacturers we represent.

PARTS LIST  
**STALLION 8 SC**

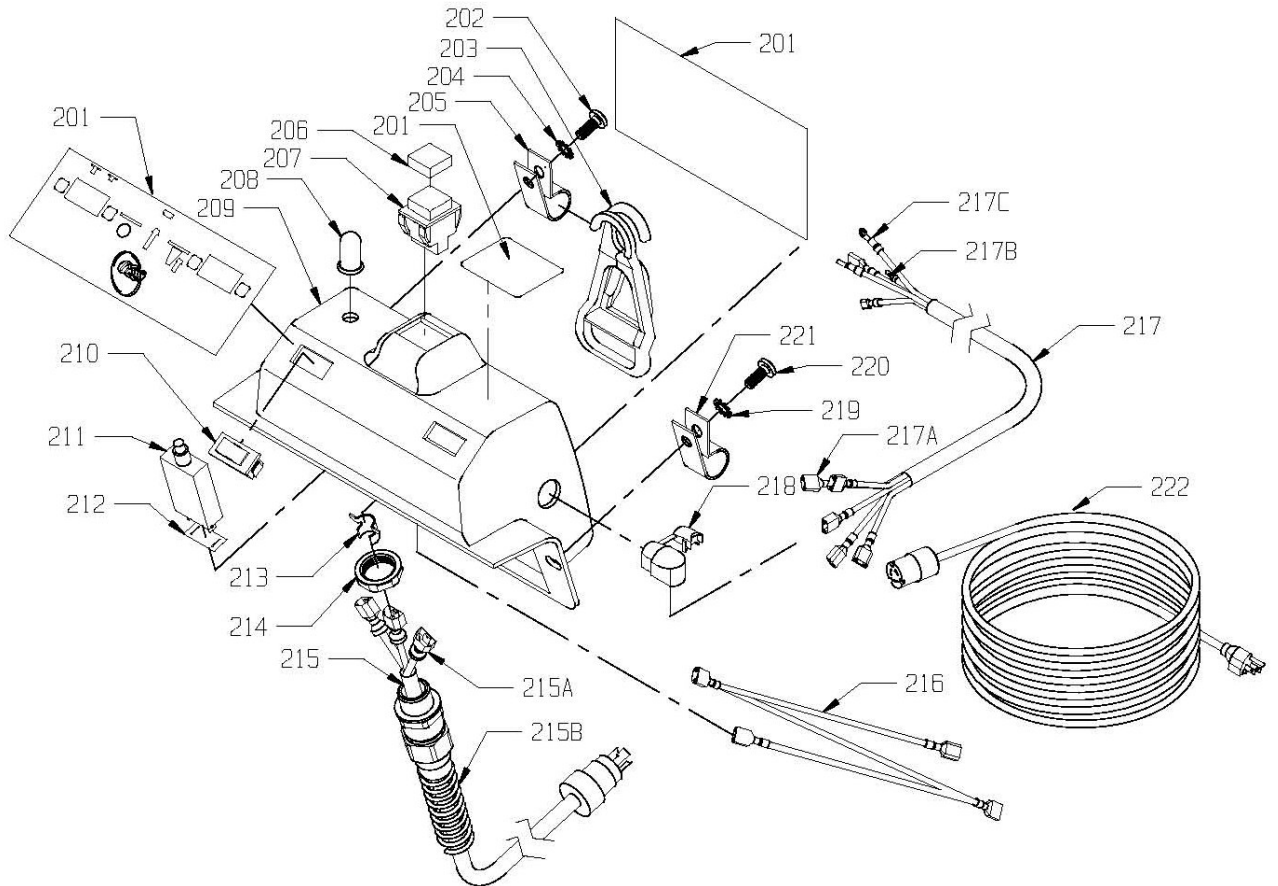


# DOME ASSEMBLY



<b>ITEM</b>	<b>PART NO.</b>	<b>PART DESCRIPTION</b>	<b>QTY.</b>
101	4894969	DOME ASSEMBLY - INCLUDES:	1
	4894351	DOME	1
101A	4890121	DOME GASKET	1
101B	4890911	ADAPTOR - 1 1/2 MPT X 1 1/2 MSL	3
101C	4894571	1 1/2" MALE ADAPTER	1
101D	4894802	90° HOSE BARB	1
101E	4894081	CLAMP - HOSE - 1.593" - 1.812"	1
101F	2391541	FLOAT SCREEN ASSEMBLY	1
101G	4890891	ELBOW 1.5 FSL X 1.5 FT	1
101H	4898181	90° ELBOW	2
101I	3890401	DRAIN VALVE GASKET	2
101J	4892781	DEFOAMER LABEL - STALLION LABEL KIT	1
102	4894301	RECOVERY TANK	1
103	4892781	NSS LOGO DECAL - STALLION LABEL KIT	1
104	4892671	HOSE CLAMP - 1 1/16" TO 2"	1
105	4992611	DRAIN HOSE 15"	1
106	9120880	1/4 SPLIT LOCK WASHER - PACK OF 10	1
107	9121210	1/4-20 X 5/8 HEX BOLT - PACK OF 10	1
108	4890033	DRAIN HOSE PLUG	1
109	4892671	HOSE CLAMP - 1 1/16" TO 2"	1
110	4894611	HOSE - VAC	1
111	4892671	HOSE CLAMP - 1 1/16" TO 2"	1
112	4894651	HOSE - VAC NOZZLE	1
113	4892791	IDENTIFIER DECAL - STALLION 8 SC	1

## SWITCH BOX ASSEMBLY

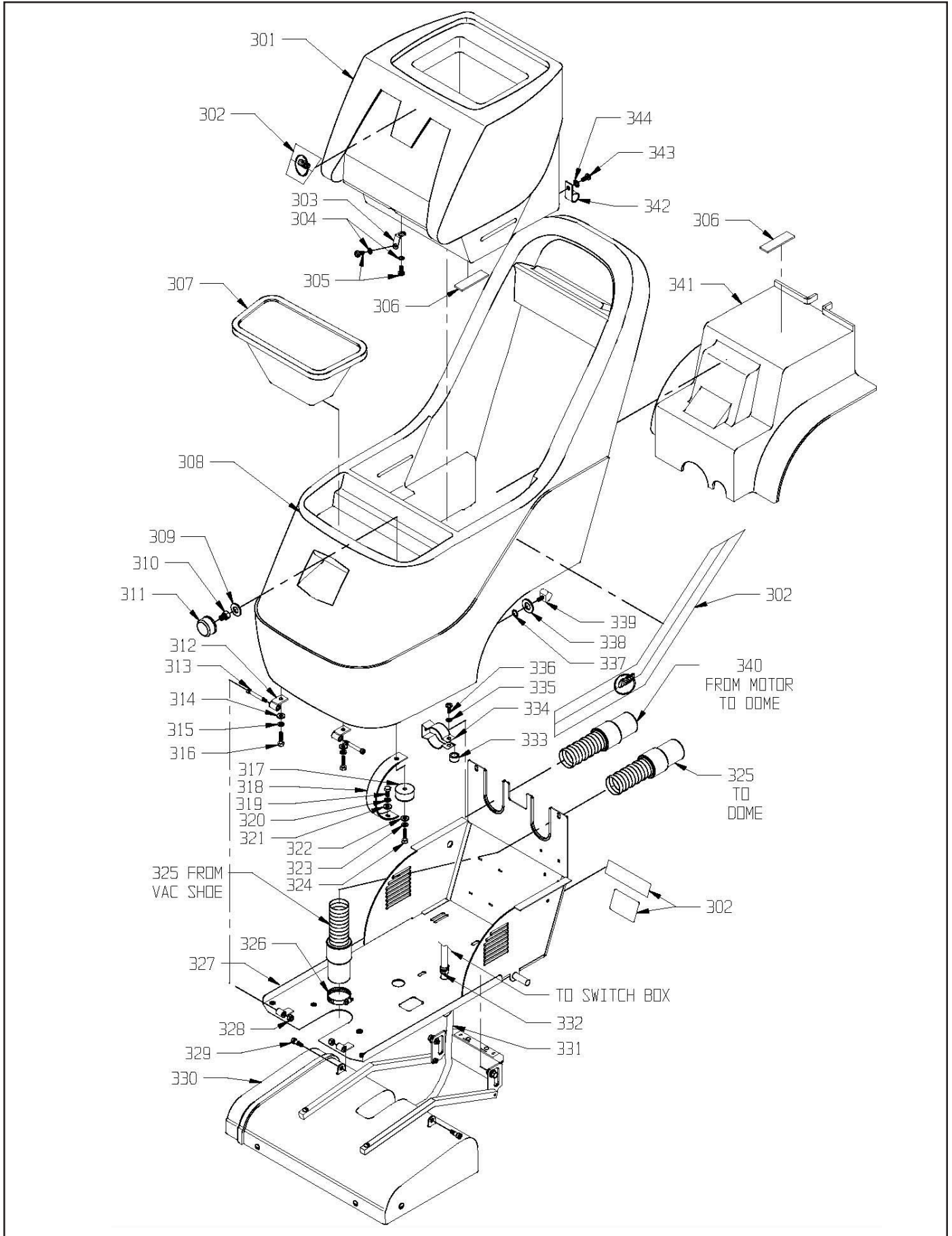


<u>ITEM</u>	<u>PART NO.</u>	<u>PART DESCRIPTION</u>	<u>QTY.</u>
201	4892781	STALLION LABEL KIT	1
202	9121040	1/4-20 X 5/8 ROUND HEAD PHILLIPS MACHINE SCREW - PACK OF 5	1
203	3190571	STRAIN RELIEF-TYPE 530	1
204	9120970	1/4 EXTERNAL STAR LOCK WASHER - PACK OF 10	1
205	4890851	CABLE CLAMP,#COV-090 KMC	1
206	4890781	PUSH BUTTON SWITCH BOOT	1
207	4890761	MOMENTARY SWITCH	1
208	4892471	BUTTON SEAL - CIRCUIT BREAKER	1
209	4894701	SWITCH BOX	1
210	4895041	ROCKER SWITCH - INCLUDES BOOT	2
211	4890791	CIRCUIT BREAKER 2 AMP 120 VOLT	1
	4891851	CIRCUIT BREAKER 1 AMP 240 VOLT	1
212	4894951	CIRCUIT BREAKER INSULATOR	1
213	0299661	STRAIN RELIEF CORD CLAMP	1
214	0891131	PLASTIC STRAIN RELIEF NUT	1
215	4892711	17" STUB CORD - INCLUDES:	1
215A	5490171	FULLY INSULATED MALE TERMINAL - 14-16 GAGE	3
215B	0299531	STRAIN RELIEF	1
216	4894691	JUMPER WIRE	1
217	4894331	CORD - HANDLE TO BASE - INCLUDES:	1
217A	5490161	FULLY INSULATED FEMALE TERMINAL - 14-16 GAGE	6
217B	2690571	1/4 INSULATED FEMALE SLIP ON	3
217C	0298981	#10 RING TERMINAL 14-16 GA	1
218	4890821	STRAIN RELIEF	1
219	9120970	1/4 EXTERNAL STAR LOCK WASHER - PACK OF 10	1
220	9121040	1/4-20 X 5/8 ROUND HEAD PHILLIPS MACHINE SCREW - PACK OF 5	1
221	4890851	CABLE CLAMP,#COV-090 KMC	1
222	4891121	POWER CORD - 50 FOOT WITH TWIST LOCK	1
	0299671	SHUKO CORD - 75 FOOT	1

## **RECOVERY / SOLUTION TANK ASSEMBLY**

<b>ITEM</b>	<b>PART NO.</b>	<b>PART DESCRIPTION</b>	<b>QTY.</b>
301	4894301	RECOVERY TANK	1
302	4892781	STALLION LABEL KIT	1
303	4894733	BRACKET - RECOVERY TANK HOLD DOWN	1
304	9120970	1/4 EXTERNAL STAR LOCK WASHER - PK =10	2
305	9121040	1/4-20 X 5/8 ROUND HEAD PHILLIPS MACHINE SCREW - PK =5	2
306	9997550	VELCRO HOOK	0.25
	9997560	VELCRO LOOP	0.25
307	4890209	FILTER SCREEN ASSEMBLY - INCLUDES:	1
	4891311	FILTER SCREEN BAG	1
307A	4891321	BAG RING	1
308	4890011	SOLUTION TANK	1
309	9122465	.156 I.D. X .813 O.D. X .027/.030 THICK FLAT WASHER - PK =2	1
310	4890211	BUSHING - BRASS 1/4F- 3/8 M-NPT	1
311	4890191	FILTER	1
312	4894213	TANK HINGE	2
313	9121047	1/4 DIAMETER X 1 1/2 LONG SOCKET HEAD SHOULDER BOLT (10-24) - PK =10	2
314	9120930	9/32 I.D. X 5/8 O.D. X .051/.080 THICK FLAT WASHER (1/4) - PK =10	2
315	9120880	1/4 SPLIT LOCK WASHER - PK =10	2
316	9121250	1/4-20 X 3/4 HEX BOLT - PK =10	2
317	4894461	RUBBER STOP	2
318	4894541	TANK SUPPORT STRAP	1
319	9121210	1/4-20 X 5/8 HEX BOLT - PK =10	1
320	9120880	1/4 SPLIT LOCK WASHER - PK =10	1
321	9120930	9/32 I.D. X 5/8 O.D. X .051/.080 THICK FLAT WASHER (1/4) - PK =10	1
322	9120930	9/32 I.D. X 5/8 O.D. X .051/.080 THICK FLAT WASHER (1/4) - PK =10	1
323	9120880	1/4 SPLIT LOCK WASHER - PK =10	2
324	9121270	1/4-20 X 1 HEX BOLT - PK =10	2
325	4894651	HOSE - VAC NOZZLE	2
326	4892671	HOSE CLAMP - 1 1/16" TO 2"	1
327	4894171	BASE ASSEMBLY	1
328	9120350	10-24 HEX NUT WITH NY-LOCK INSERT - PK =10	2
329	9121550	5/16 DIAMETER X 3/8 LONG SOCKET HEAD SHOULDER BOLT (1/4-20) PK =1	2
330	4894729	HOUSING - BRUSH ASSEMBLY 120 VOLT	1
	4894859	HOUSING - BRUSH ASSEMBLY 240 VOLT	1
331	4894671	CORD - BRUSH MOTOR - INCLUDES:	1
332	4891071	STRAIN RELIEF,#SR6N34,HEYCO	1
333	4492791	BUSHING - PIVOT	1
334	4892681	HOSE RETAINING RING	1
335	9120970	1/4 EXTERNAL STAR LOCK WASHER - PK =10	1
336	9121270	1/4-20 X 1 HEX BOLT - PK =10	1
337	4890221	1/2" "O"RING	1
338	9122468	.562 I.D. X 1.25 O.D. X .072 THICK WASHER - PK =1	1
339	2795861	BRASS ELBOW - 45° X 1/4" NPT	1
340	4894611	HOSE - VAC	1
341	4894151	DRIP COVER	1
342	4890851	CABLE CLAMP,#COV-090 KMC	1
343	9121040	1/4-20 X 5/8 ROUND HEAD PHILLIPS MACHINE SCREW - PK =5	2
344	9120970	1/4 EXTERNAL STAR LOCK WASHER - PK =10	2

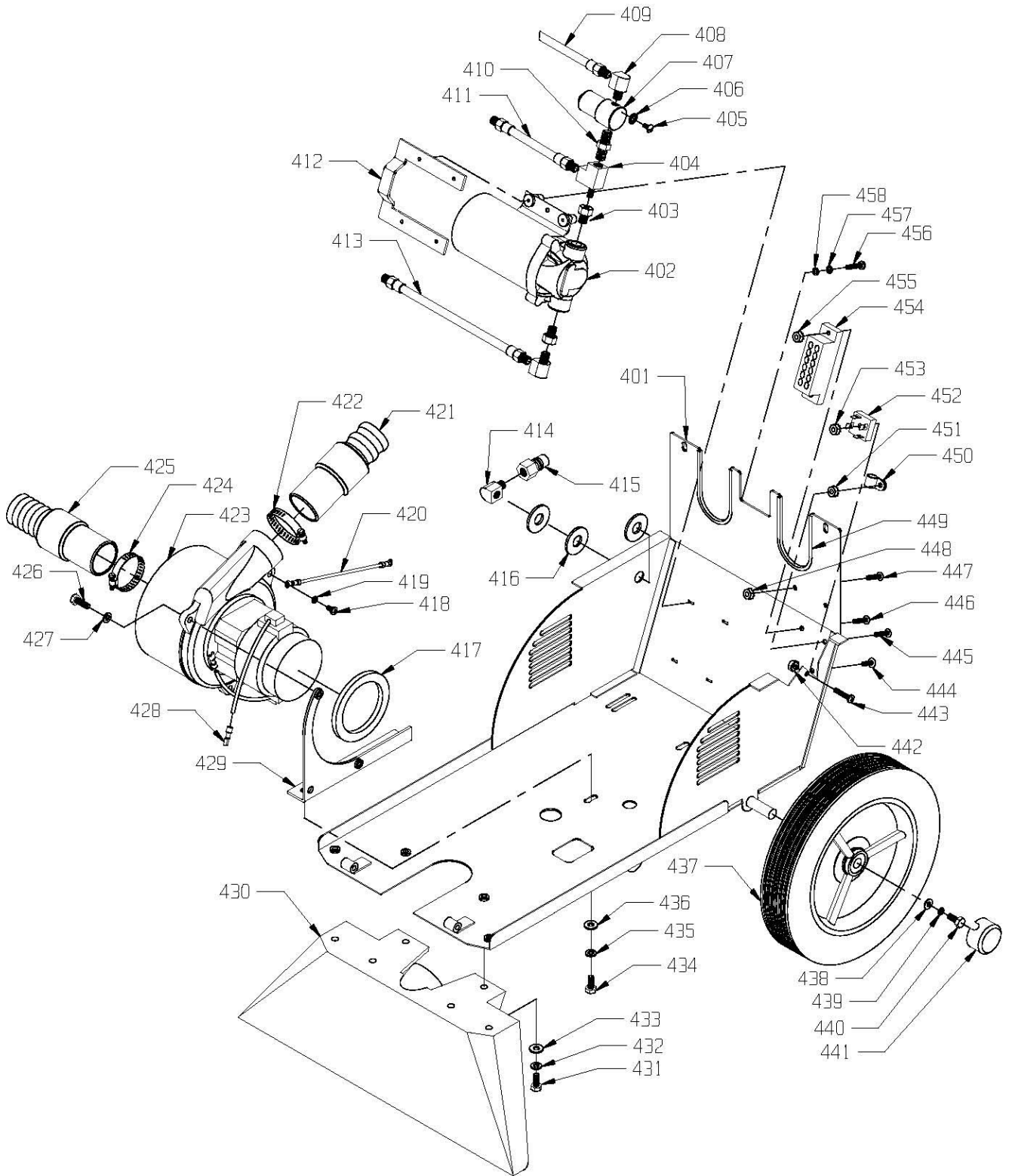
# RECOVERY / SOLUTION TANK ASSEMBLY



## FRAME ASSEMBLY

<u>ITEM</u>	<u>PART NO.</u>	<u>PART DESCRIPTION</u>	<u>QTY.</u>
401	4894171	BASE ASSEMBLY	1
402	4894051	PUMP - 50 PSI - 120 VOLT	1
	4894591	PUMP - 80 PSI - 120 VOLT	1
	4894881	PUMP - 80 PSI - 240 VOLT	1
403	4890211	BUSHING - BRASS 1/4F-3/8 M-NPT	2
404	4390611	<b>STREET TEE 1/4"NPT (NOT AVAILABLE ON MODEL 4808052)</b>	1
405	9120220	8-32 X 3/8 ROUND HEAD PHILLIPS MACHINE SCREW - PACK OF 10	1
406	9120180	#8 INTERNAL STAR LOCK WASHER - PACK OF 10	1
407	4894781	SOLENOID VALVE - 120 VOLT	1
	4891271	SOLENOID VALVE - 240 VOLT	1
408	2795851	BRASS ELBOW - 90° X 1/4" NPT	2
409	4895011	HOSE - PUMP TO SPRAY BAR	1
410	3891941	1/4 HEX NIPPLE	1
411	4895021	<b>HOSE - PUMP TO ACCESS (NOT AVAILABLE ON MODEL 4808052)</b>	1
412	4892221	TAPPING PLATE	1
413	4895001	HOSE - TANK TO PUMP	1
414	2795851	<b>BRASS ELBOW - 90° X 1/4" NPT (NOT AVAILABLE ON MODEL 4808052)</b>	1
415	3590751	<b>MALE CONNECTOR - QUICK (NOT AVAILABLE ON MODEL 4808052)</b>	1
416	9122468	.562 I.D. X 1.25 O.D. X .072 THICK WASHER - PACK OF 1	3
417	0294341	TOP MOTOR SEAL	1
418	9120590	10-24 X 3/8 PAN HEAD PHILLIPS THREAD CUTTING SCREW - PACK OF 10	1
419	9120320	#10 SPLIT LOCK WASHER - PACK OF 10	1
420	4894981	WIRE - GREEN - GROUND TO MOTOR	2
421	4894551	HOSE - VAC MOTOR EXHAUST	1
422	4495441	HOSE CLAMP - 1 9/16" TO 2 1/2" DIAMETER	1
423	4894641	VAC MOTOR - 120 VOLT	1
	4894751	VAC MOTOR - 240 VOLT	1
424	4892671	HOSE CLAMP - 1 1/16" TO 2"	1
425	4894611	HOSE - VAC	1
426	9121250	1/4-20 X 3/4 HEX BOLT - PACK OF 10	2
427	9120880	1/4 SPLIT LOCK WASHER - PACK OF 10	2
428	3290671	PUSH ON TERMINAL	2
429	4894293	VAC MOTOR BRACKET	1
430	4890093	VAC SHOE	1
431	9121210	1/4-20 X 5/8 HEX BOLT - PACK OF 10	4
432	9120880	1/4 SPLIT LOCK WASHER - PACK OF 10	4
433	9120930	9/32 I.D. X 5/8 O.D. X .051/.080 THICK FLAT WASHER (1/4) - PACK OF 10	4
434	9121210	1/4-20 X 5/8 HEX BOLT - PACK OF 10	2
435	9120880	1/4 SPLIT LOCK WASHER - PACK OF 10	2
436	9120930	9/32 I.D. X 5/8 O.D. X .051/.080 THICK FLAT WASHER (1/4) - PACK OF 10	2
437	4892731	10" WHITE PLASTIC WHEEL	2
438	9120930	9/32 I.D. X 5/8 O.D. X .051/.080 THICK FLAT WASHER (1/4) - PACK OF 10	2
439	9120880	1/4 SPLIT LOCK WASHER - PACK OF 10	2
440	9121210	1/4-20 X 5/8 HEX BOLT - PACK OF 10	2
441	0599311	HUBCAP	2
442	9120360	10-24 HEX NUT WITH STAR LOCK WASHER - PACK OF 10	3
443	9120430	10-24 X 3/4 ROUND HEAD PHILLIPS MACHINE SCREW - PACK OF 10	1
444	9120430	10-24 X 3/4 ROUND HEAD PHILLIPS MACHINE SCREW - PACK OF 10	1
445	9120420	10-24 X 5/8 ROUND HEAD PHILLIPS MACHINE SCREW - PACK OF 10	1
446	9120270	8-32 X 7/8 ROUND HEAD PHILLIPS MACHINE SCREW - PACK OF 10	2
447	9120430	10-24 X 3/4 ROUND HEAD PHILLIPS MACHINE SCREW - PACK OF 10	1
448	9120360	10-24 HEX NUT WITH STAR LOCK WASHER - PACK OF 10	3
449	9997600	EDGE TRIM - FOR SPLASH SHIELD	1.41
450	5294201	NYLON CABLE CLAMP	1
451	9120360	10-24 HEX NUT WITH STAR LOCK WASHER - PACK OF 10	2
452	4894771	RECTIFIER - 120 VOLT	1
	5492741	RECTIFIER - 60 AMP - 240 VOLT	1

# FRAME ASSEMBLY



453	9120360	10-24 HEX NUT WITH STAR LOCK WASHER - PACK OF 10	1
454	4894321	TERMINAL BLOCK	1
455	9120190	8-32 HEX NUT WITH STAR LOCK WASHER - PACK OF 10	2
456	9120450	10-24 X 1 ROUND HEAD PHILLIPS MACHINE SCREW - PACK OF 10	4
457	9120320	#10 SPLIT LOCK WASHER - PACK OF 10	4
458	9120370	7/32 I.D. X 1/2 O.D. X .032/.065 THICK FLAT WASHER (#10) - PACK OF 10	4

## **BRUSH ASSEMBLY**

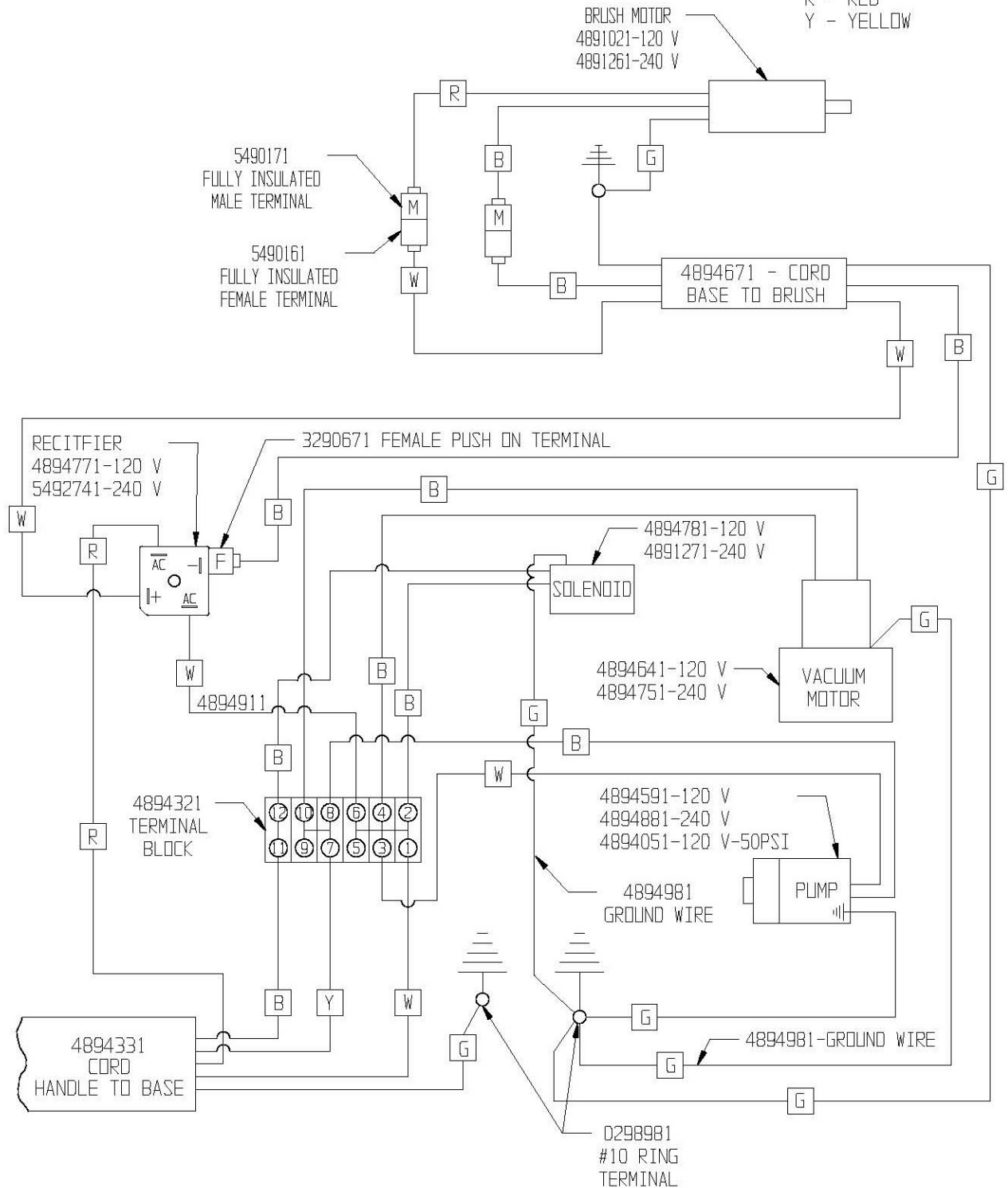
<b>ITEM</b>	<b>PART NO.</b>	<b>PART DESCRIPTION</b>	<b>QTY.</b>
	4894729	HOUSING - BRUSH ASSEMBLY 120 VOLT	1
	4894859	HOUSING - BRUSH ASSEMBLY 240 VOLT	1
501	4894631	BRUSH HOUSING COVER	1
502	9121250	1/4-20 X 3/4 HEX BOLT - PACK OF 10	2
503	9120880	1/4 SPLIT LOCK WASHER - PACK OF 10	2
504	9120930	9/32 I.D. X 5/8 O.D. X .051/.080 THICK FLAT WASHER (1/4) PACK OF 10	2
505	4894441	BRUSH LIFT GUIDE	2
506	4894103	BRUSH FOOT PEDAL	1
507	4892781	STALLION LABEL KIT	1
508	9121289	1/4 DIAMETER X 3/16 LONG SOCKET HEAD SHOULDER BOLT (10-24) - PACK 1	2
509	4894203	BRUSH LIFT ARM	2
510	9120320	#10 SPLIT LOCK WASHER - PACK OF 10	2
511	9120450	10-24 X 1 ROUND HEAD PHILLIPS MACHINE SCREW - PACK OF 10	2
512	4891971	BELT COVER	1
513	9120207	3/16 I.D. X 1/2 O.D. EYELET - BRASS - PACK OF 2	2
514	9120585	10-24 X 1/5 OVAL HEAD PHILLIPS MACHINE SCREW - PACK OF 10	2
515	9120580	10-24 X 5/8 ROUND HEAD SLOT MACHINE SCREW - BRASS - PACK OF 10	4
516	9120385	10-24 X 3/8 ROUND HEAD PHILLIPS MACHINE SCREW WITH SEALENT - PACK OF 2	2
517	9120320	#10 SPLIT LOCK WASHER - PACK OF 10	2
518	9120370	7/32 I.D. X 1/2 O.D. X .032/.065 THICK FLAT WASHER #10 - PACK OF 10	2
519	9120660	10-32 HEX NUT WITH NY-LOK INSERT - PACK OF 10	2
520	4894381	POLY-V BELT	1
521	9120410	10-24 X 1/2 ROUND HEAD PHILLIPS MACHINE SCREW - PACK OF 10	2
522	9120320	#10 SPLIT LOCK WASHER - PACK OF 10	2
	4894949	BRUSH ASSEMBLY- INCLUDES:	1
523A	4894451	BRUSH	1
523B	4890971	SHIELD	1
523C	4894661	BRUSH AXLE	1
523D	4890961	BEARING - BRUSH	2
523E	4894251	BRUSH PULLEY	1
523F	9120670	10-32 X 5/8 FLAT HEAD PHILLIPS MACHINE SCREW - PACK OF 10	2
523G	4894371	BUSHING - BRUSH	1
523H	4894281	BRUSH THREAD GUARD	1
523I	3695051	SHAFT SEAL	1
524	8891080	3/16" X 5/16" NEOPRENE GASKET	1.3
	4894909	SPRAY BAR ASSEMBLY - INCLUDES:	
525A	4891951	SPRAY BAR	1
525B	2392151	1/4" PIPE PLUG - BRASS	2
525C	4990971	SPRAY TIP & BODY - INCLUDES:	3
525C1	4990981	SPRAY TIP ONLY	3
525C2	4891291	SPRAY BODY ONLY	3
525D	4892111	SPRAY BODY "O" RING - NOT SHOWN	3
525E	4895011	HOSE - PUMP TO SPRAY BAR	1
526	8891100	1/2" X 1" GASKET MATERIAL	1.3
527	4892073	BRUSH FRAME	1
528	9123005	1/8 X 5 1/2 WIRE TIE - PACK OF 5	1
529	9120430	10-24 X 3/4 ROUND HEAD PHILLIPS MACHINE SCREW - PACK OF 10	2
530	9120360	10-24 HEX NUT WITH STAR LOCK WASHER - PACK OF 10	3
531	8891130	1" X 1/8" NEOPRENE GASKET	1
532	4894241	MOTOR PULLEY - INCLUDES:	1
532A	9120640	10-32 X 1/4 SET SCREW - CUP POINT - PACK OF 10	2
533	4891021	MOTOR - BRUSH DRIVE - 120 VOLT - SEALED - INCLUDES:	1
	4891261	MOTOR - BRUSH DRIVE - 240 VOLT - SEALED - INCLUDES:	1
533A	0298981	#10 RING TERMINAL 14-16 GA	1
534	4991371	FULLY INSULATED MALE TERMINAL 18-22 GAGE	2
535	4894671	CORD - BRUSH MOTOR - INCLUDES:	1
535A	4890831	STRAIN RELIEF - INCLUDES:	1
535A1	0891131	PLASTIC STRAIN RELIEF NUT	1
535B	4991361	FULLY INSULATED FEMALE TERMINAL 18-22 GAGE	4
535C	0298981	#10 RING TERMINAL 14-16 GA	2





# WIRING DIAGRAM - FRAME AND BRUSH HEAD

B - BLACK  
 W - WHITE  
 G - GREEN - GROUND  
 R - RED  
 Y - YELLOW



# ACCESSORIES

**PART NO.**

**PART DESCRIPTION**

3097849	14" SQUEEGEE WITH BRUSH
2598551	15' VACUUM HOSE - CLEAR
2590361	1 1/2" HOSE CUFF - WAND END - USE WITH 2598551
2590371	1 3/4" HOSE CUFF - COUPLING END - USE WITH 2598551
4095461	15' VACUUM HOSE - BLACK
2594251	25' VACUUM HOSE
2599601	1 3/4" HOSE CUFF - COUPLING END - USE WITH 2594251
2599611	1 1/2" HOSE CUFF - WAND END - USE WITH 2594251
4098021	15' SOLUTION HOSE - LOW PRESSURE - FEMALE / FEMALE QDC
3891581	15' SOLUTION HOSE - LOW PRESSURE - MALE / MALE QDC
3890991	15' SOLUTION HOSE - LOW PRESSURE - FEMALE / MALE QDC
3890981	25' SOLUTION HOSE - LOW PRESSURE - MALE / MALE QDC
4097111	QUICK CONNECT ADAPTOR - FEMALE / FEMALE
4097101	3 - JET WAND - 12" WIDTH
4097201	2 - JET WAND - 12" WIDTH
4097301	SINGLE JET - 30" LONG STAIR WAND - 9 3/4" WIDTH
4097401	6" STAIR TOOL
4097501	4" UPHOLSTERY TOOL
4097601	3 1/2" DETAIL TOOL
4098031	8" FLATTENED INTERNAL SPRAY CREVICE TOOL
4098101	12" SQUEEGEE WITH WAND
4891699	BARE FLOOR SQUEEGEE
9094030	EXTRACTOR ACCESSORIES ILLUSTRATED PARTS BOOK
4891721	COIL HOSE WITH SPRAY GUN - LOW PRESSURE - FEMALE QDC
4892859	UPHOLSTERY KIT - INCLUDES:
4097501	4" UPHOLSTERY TOOL
2598551	15' VACUUM HOSE - CLEAR
4098021	15' SOLUTION HOSE - LOW PRESSURE - FEMALE / FEMALE QDC
4892869	DETAIL 3 - JET WAND TOOL KIT - INCLUDES:
4097101	3 - JET WAND - 12" WIDTH
2598551	15' VACUUM HOSE
4098021	15' SOLUTION HOSE - LOW PRESSURE - FEMALE / FEMALE QDC
4098089	15' SOLUTION HOSE EXTENSION KIT - INCLUDES:
2598551	15' VACUUM HOSE
3890991	15' SOLUTION HOSE - LOW PRESSURE - FEMALE / MALE QDC
2291211	5" ALUMINUM CONNECTOR



**NSS ® Enterprises, Inc.**

3115 Frenchmens Road, Toledo, Ohio 43607  
 PHONE (419) 531-2121 FAX (419) 531-3761

**NSS ® Enterprises, Inc. European Distribution Centre**  
 Unit II, Pinfold Trading Estate \* 55 Nottingham Road  
 STAPLEFORD, NOTTINGHAM NG9 8AD ENGLAND U.K.  
 PHONE: (44) 0115 939 1568 \* FAX: (44) 0115 949 0615